



US00D908525S

(12) **United States Design Patent**  
**Yamada**

(10) **Patent No.:** **US D908,525 S**

(45) **Date of Patent:** **\*\* Jan. 26, 2021**

(54) **PENDANT**

(71) Applicant: **Tasaki & Co., Ltd.**, Kobe (JP)

(72) Inventor: **Yoshikazu Yamada**, Tokyo (JP)

(73) Assignee: **Tasaki & Co., Ltd.**, Kobe (JP)

(\*\*) Term: **15 Years**

(21) Appl. No.: **29/693,685**

(22) Filed: **Jun. 4, 2019**

(51) **LOC (13) Cl.** ..... **11-01**

(52) **U.S. Cl.**

USPC ..... **D11/79**

(58) **Field of Classification Search**

USPC .... D11/1-18, 26, 30, 39, 40-49, 56, 57, 58,  
D11/60, 61, 64, 72, 75, 76, 78-86,  
D11/95-100, 102-103, 115, 116  
CPC .. A44C 1/00; A44C 3/00; A44C 3/001; A44C  
3/004; A44C 3/005; A44C 5/00; A44C  
5/02; A44C 7/00; A44C 7/002; A44C  
7/003; A44C 7/004; A44C 7/005; A44C  
7/006; A44C 7/007; A44C 7/008; A44C  
9/00; A44C 9/0007; A44C 9/0015; A44C  
9/0023; A44C 9/003; A44C 15/00; A44C  
15/0015; A44C 15/002; A44C 15/0025;  
A44C 15/005; A44C 15/0055; A44C  
21/00; A44C 23/00; A44C 25/00; A44C  
25/001; A44C 25/002; A44C 25/005;  
A44C 25/007; A44C 25/008

See application file for complete search history.

(56) **References Cited**

**U.S. PATENT DOCUMENTS**

430,295 A \* 6/1890 Mathewson ..... A44C 11/002  
63/3  
D37,515 S \* 8/1905 Goldsmith ..... D11/99  
1,622,770 A \* 3/1927 Coombs ..... A44C 5/2085  
63/4

D133,839 S \* 9/1942 Meyer ..... D11/75  
2,521,589 A \* 9/1950 Livingston ..... A44C 5/209  
63/20  
D170,990 S \* 12/1953 Katz ..... D11/16  
D177,385 S \* 4/1956 Katz ..... D11/16  
3,247,561 A \* 4/1966 Speranza ..... A44C 5/185  
24/116 A  
D329,399 S \* 9/1992 Bulgari ..... D11/4  
D373,095 S \* 8/1996 Bulgari ..... D11/6  
6,578,982 B1 \* 6/2003 Lynch ..... A44C 15/0015  
362/103

(Continued)

**OTHER PUBLICATIONS**

Tasaki Catch the “danger”, Nov. 28, 2019, [online], [site visited Sep. 24, 2020]. Retrieved from url:https://wedding.mynavi.jp/ring/premium/brand/21/news/429/ (Year: 2019).\*

(Continued)

*Primary Examiner* — Michelle E. Wilson

*Assistant Examiner* — Tracey J Bell

(74) *Attorney, Agent, or Firm* — Fitch, Even, Tabin & Flannery LLP

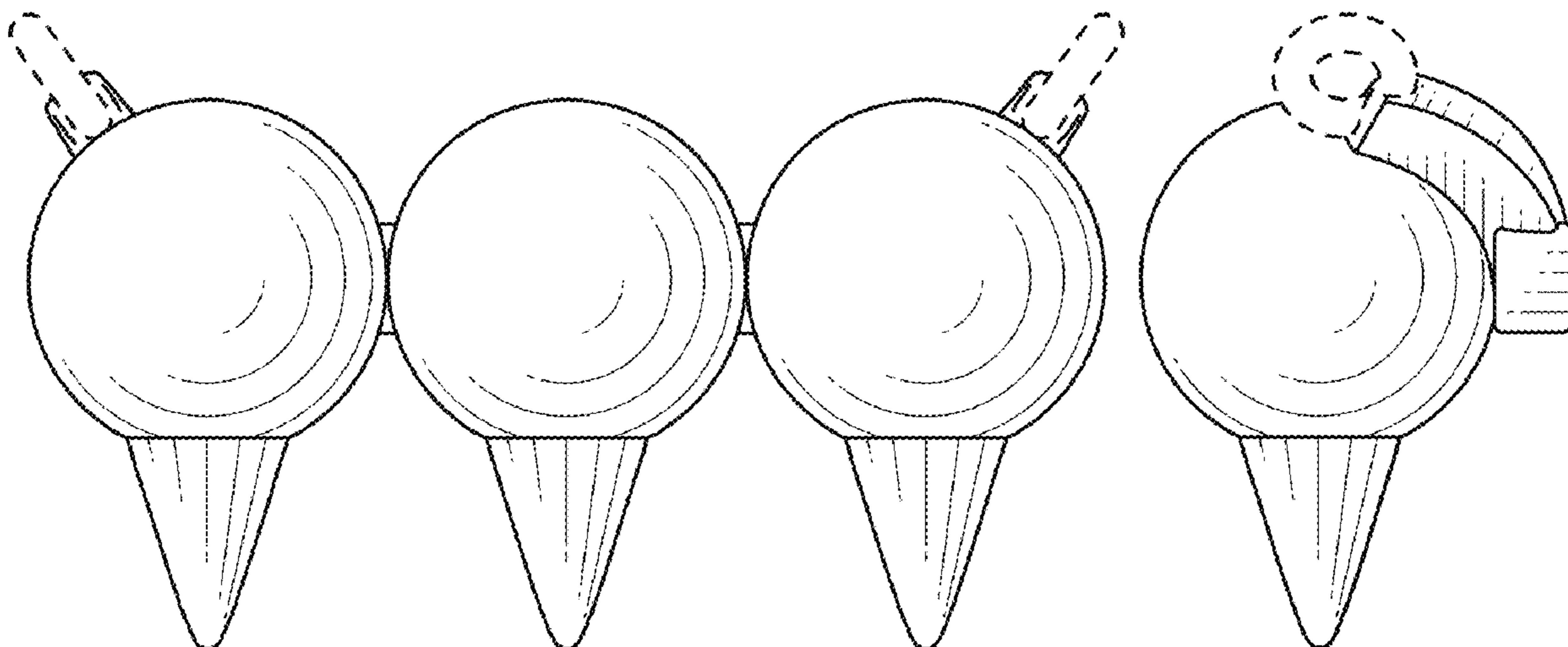
(57) **CLAIM**

the ornamental design for a pendant, as shown and described.

**DESCRIPTION**

FIG. 1 is a perspective view of a pendant, showing my new design;  
FIG. 2 is a front elevational view thereof;  
FIG. 3 is a top plan view thereof;  
FIG. 4 is a right side elevational view thereof;  
FIG. 5 is a left side elevational view thereof;  
FIG. 6 is a rear elevational view thereof; and,  
FIG. 7 is a bottom plan view thereof.  
The broken lines illustrate portions of the pendant and form no part of the claimed design.

**1 Claim, 3 Drawing Sheets**



(56)

**References Cited**

U.S. PATENT DOCUMENTS

D652,336 S \* 1/2012 Molik ..... D11/3  
D761,792 S \* 7/2016 Magi ..... D14/344  
D791,635 S \* 7/2017 Hardy ..... D11/3  
D882,448 S \* 4/2020 Gurung ..... D11/26  
2016/0095395 A1 \* 4/2016 McRae ..... G08B 6/00  
340/531

OTHER PUBLICATIONS

Tasaki P-16940 danger, no date available, [online], [site visited Sep. 24, 2020]. Retrieved from url:<https://www.tasaki.com.cn/jewellery/collectionline/danger/danger/P-16940-18KYG/> (Year: 2020).\*

\* cited by examiner

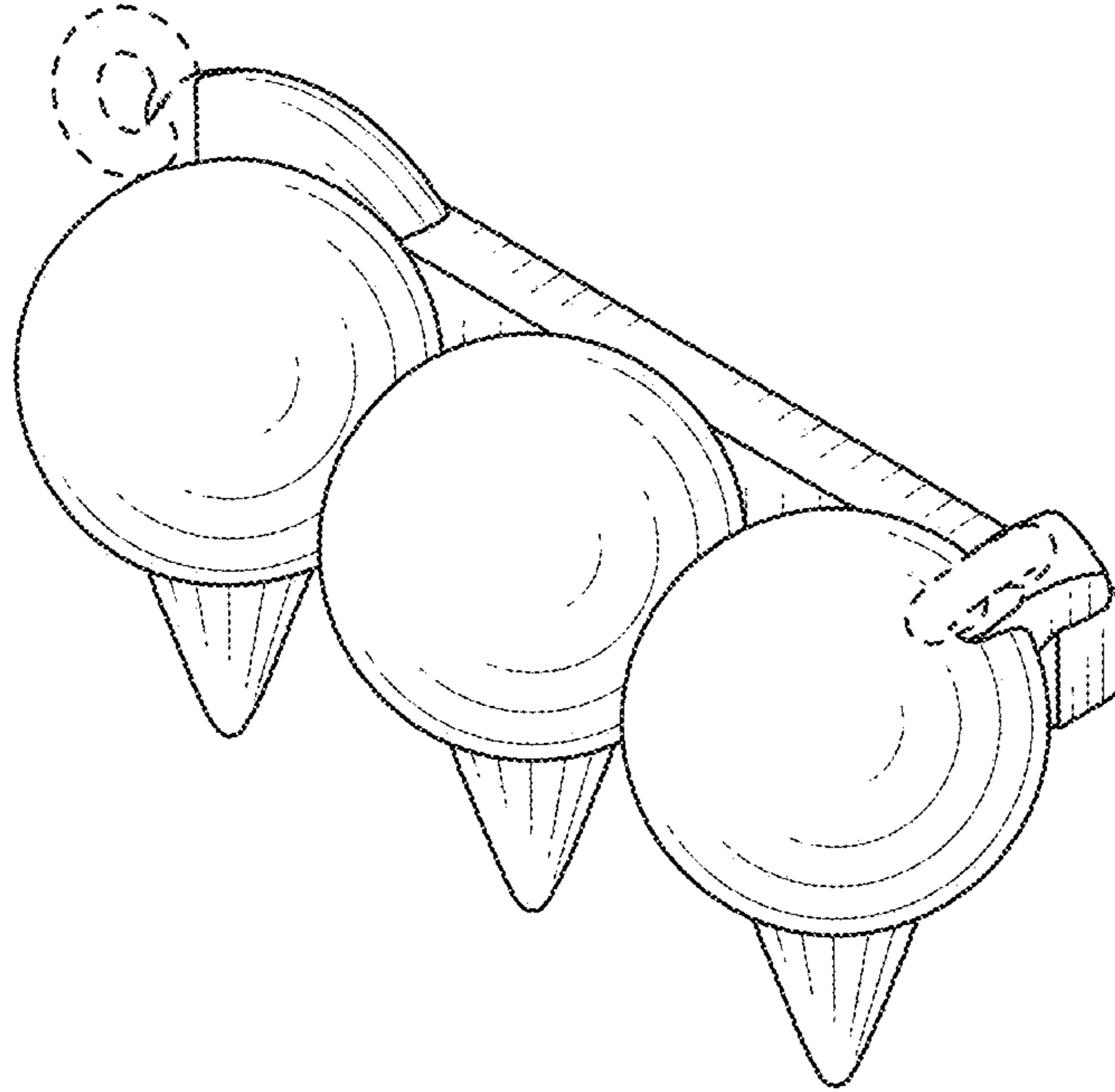


FIG. 1

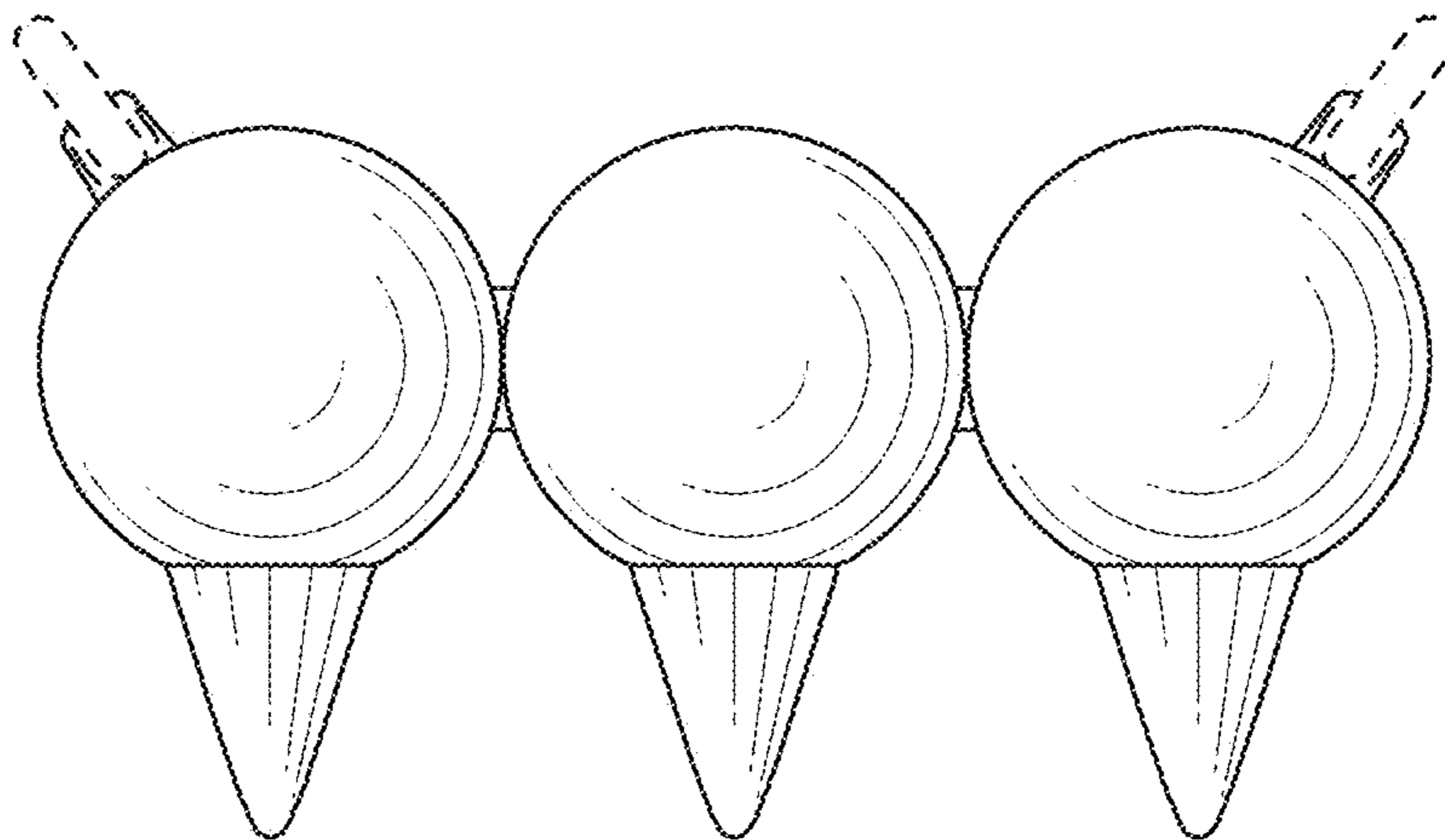


FIG. 2

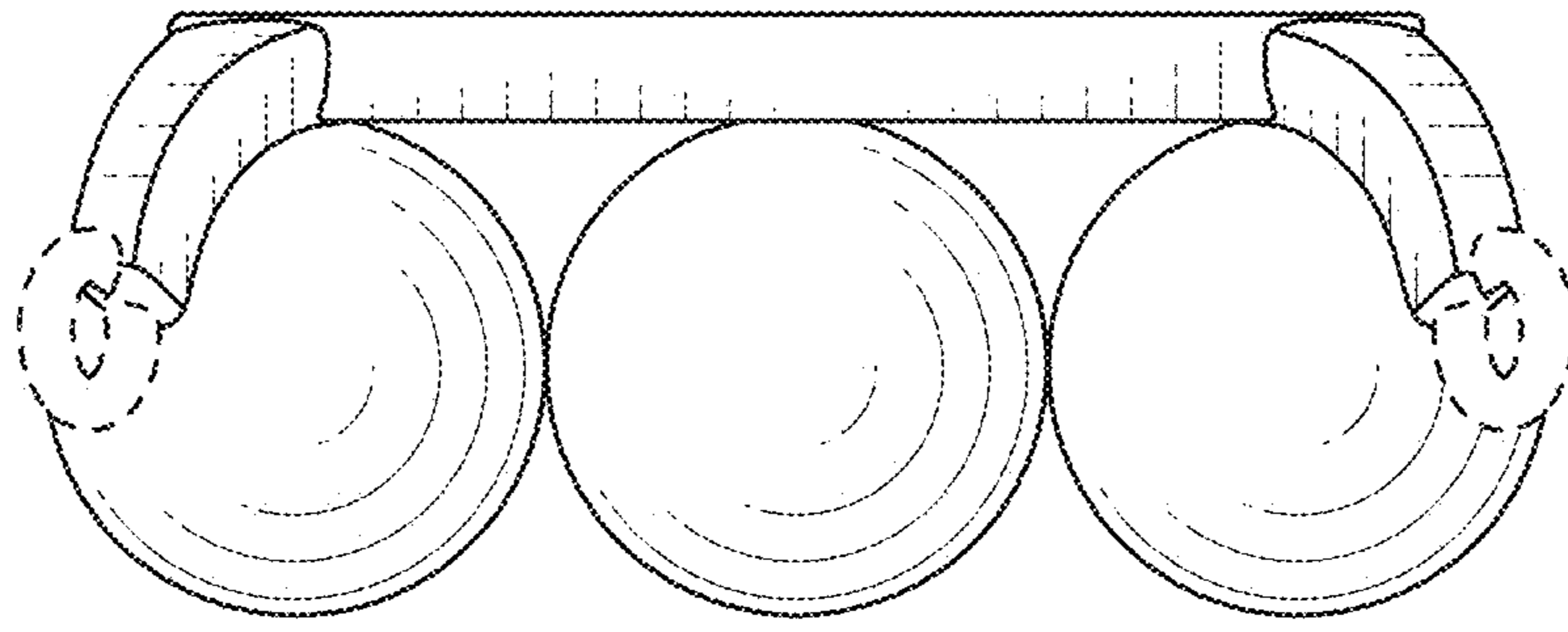


FIG. 3

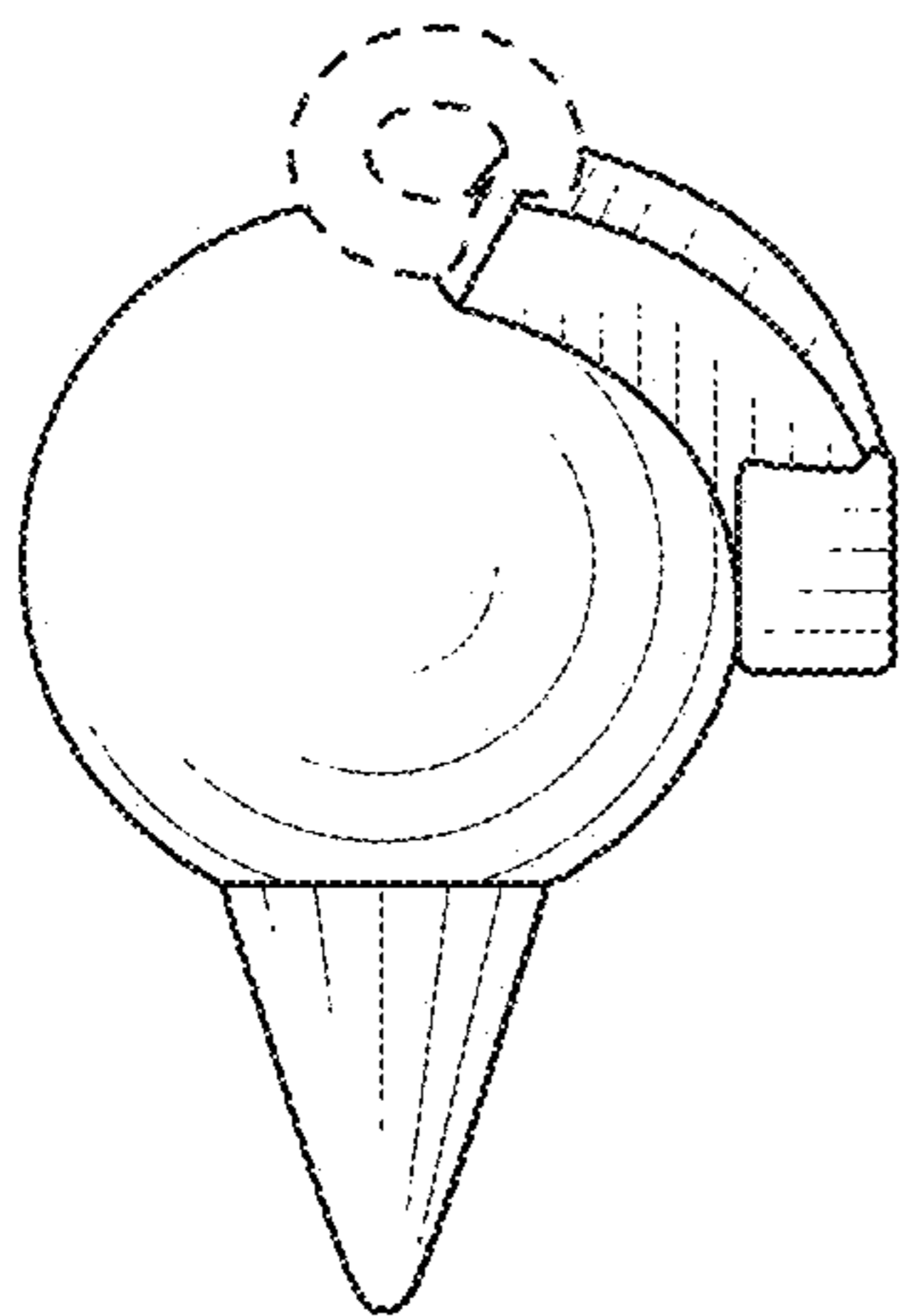


FIG. 4

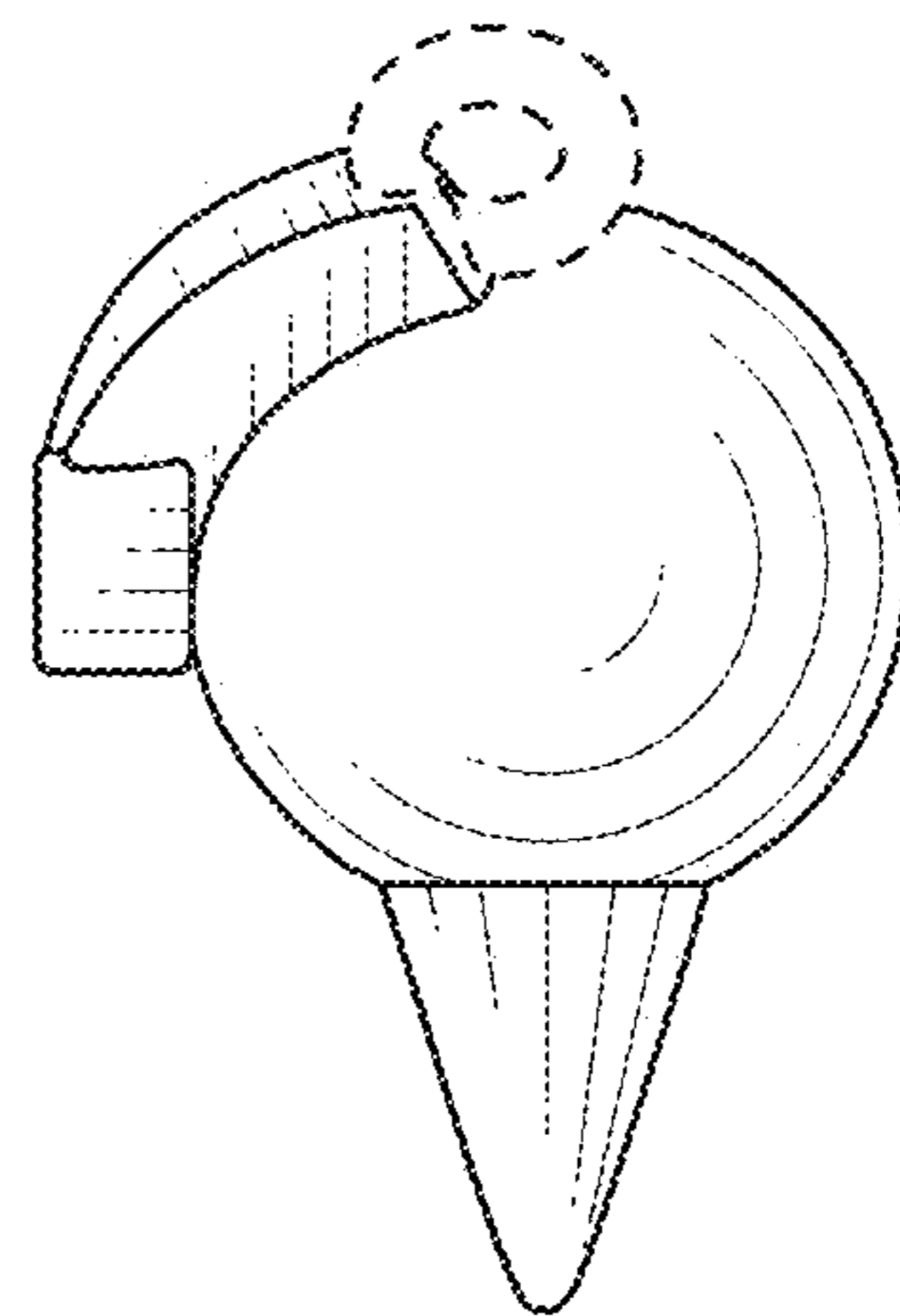


FIG. 5

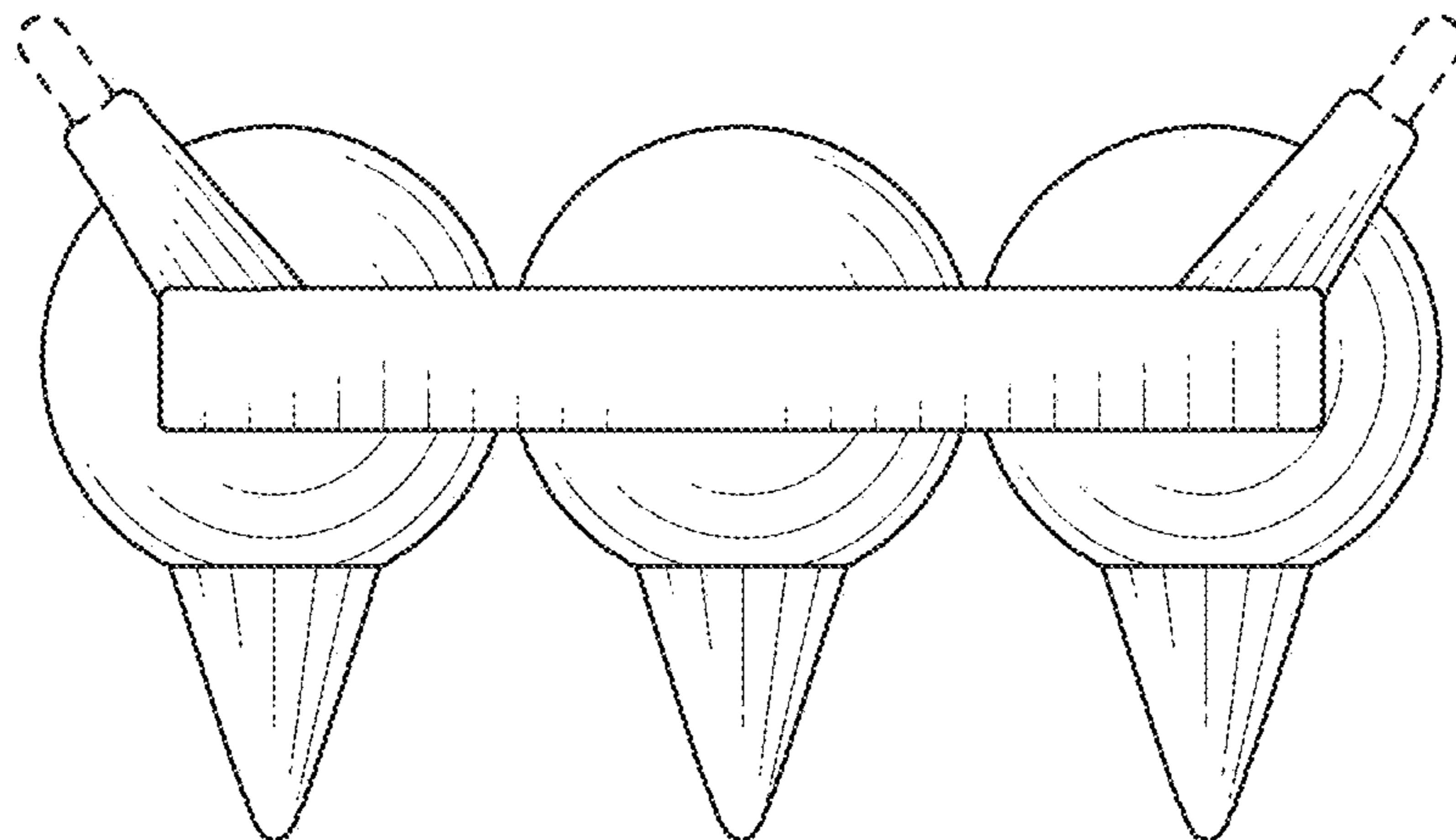


FIG. 6

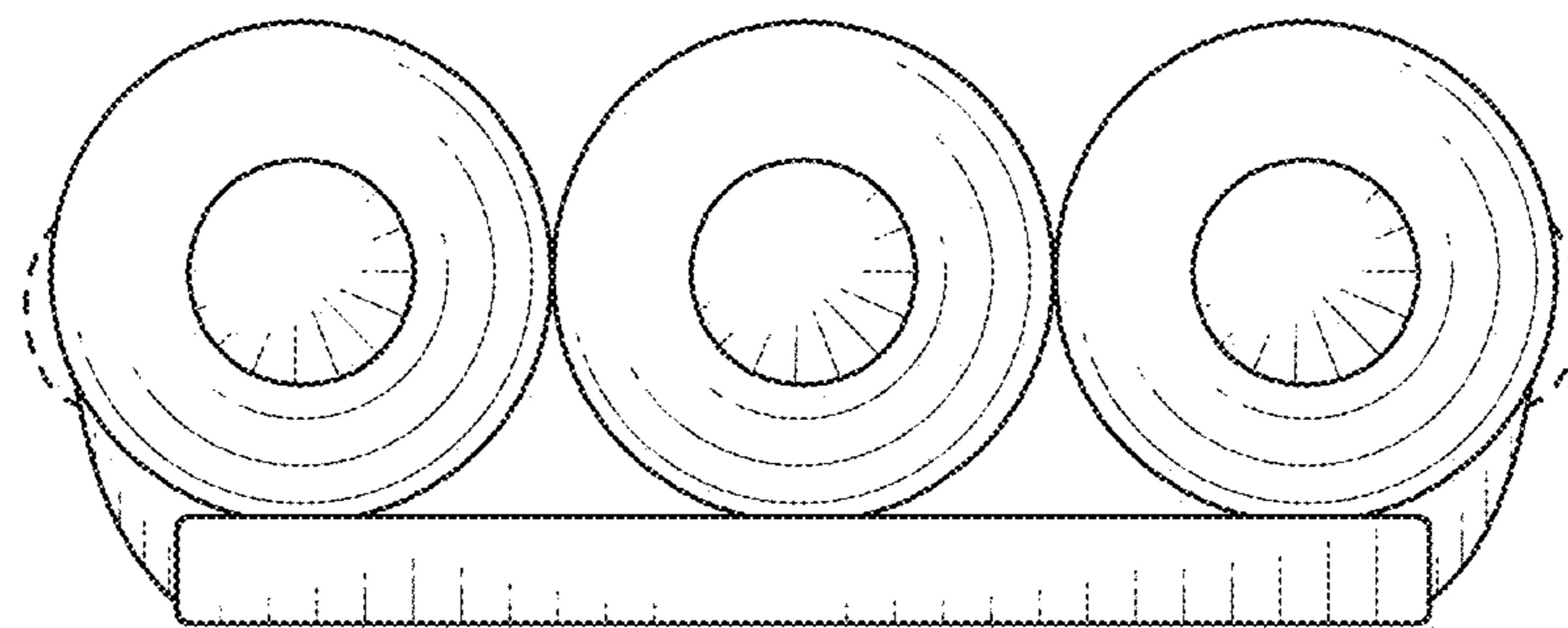


FIG. 7