



US00D908522S

(12) **United States Design Patent** (10) **Patent No.:** **US D908,522 S**
Lopes (45) **Date of Patent:** **** Jan. 26, 2021**

(54) **RING** 1,548,645 A * 8/1925 Akeson A44C 17/02
63/15
(71) Applicant: **Richemont International SA,** 1,902,830 A * 3/1933 Bulova A44C 17/00
Villars-sur-Glane (CH) 63/33
(72) Inventor: **Christopher Lopes, Plan-les-Ouates** D199,322 S * 10/1964 Katz D11/89
(CH) D232,965 S * 9/1974 Atwell D11/27
D242,645 S * 12/1976 Shorin D11/27
D242,646 S * 12/1976 Shorin D11/2
D273,473 S * 4/1984 Carroll D11/76
(73) Assignee: **Richemont International SA,** D473,812 S * 4/2003 Itzkowitz D11/36
Villars-sur-Glane (CH) D751,450 S * 3/2016 McAlarney D11/36
2016/0174670 A1 * 6/2016 McAlarney A44C 17/0233
63/1.13
(**) Term: **15 Years** 2019/0387847 A1 * 12/2019 Sen Gupta B22D 25/026

(21) Appl. No.: **29/655,703**

(22) Filed: **Jul. 6, 2018**

(30) **Foreign Application Priority Data**

Jan. 9, 2018 (WO) 5959401

(51) **LOC (13) Cl.** **11-01**

(52) **U.S. Cl.**
USPC **D11/30**

(58) **Field of Classification Search**
USPC D11/3, 4, 26-39, 86, 91, 92
CPC A44C 5/00; A44C 5/0007; A44C 5/0015;
A44C 5/003; A44C 5/0053; A44C 9/00;
A44C 9/0007; A44C 9/0014; A44C
9/0023; A44C 9/003; A44C 9/0038; A44C
9/0046; A44C 9/0053; A44C 9/0061;
A44C 9/0069; A44C 9/0076; A44C
9/0084; A44C 9/0092; A44C 17/02; A44C
17/0208

See application file for complete search history.

(56) **References Cited**

U.S. PATENT DOCUMENTS

460,103 A * 9/1891 Banghart A44C 9/00
63/15
873,156 A * 12/1907 Moe A44C 17/0208
63/30

OTHER PUBLICATIONS

[Online] "Piaget "Cocktails" Jewelry Collection" <http://fabfashionfix.com/piaget-cocktails-jewelry-collection/#prettyPhoto>. Retrieved Aug. 31, 2020.*

* cited by examiner

Primary Examiner — Melanie Pellegrini
(74) *Attorney, Agent, or Firm* — Taft Stettinius & Hollister LLP

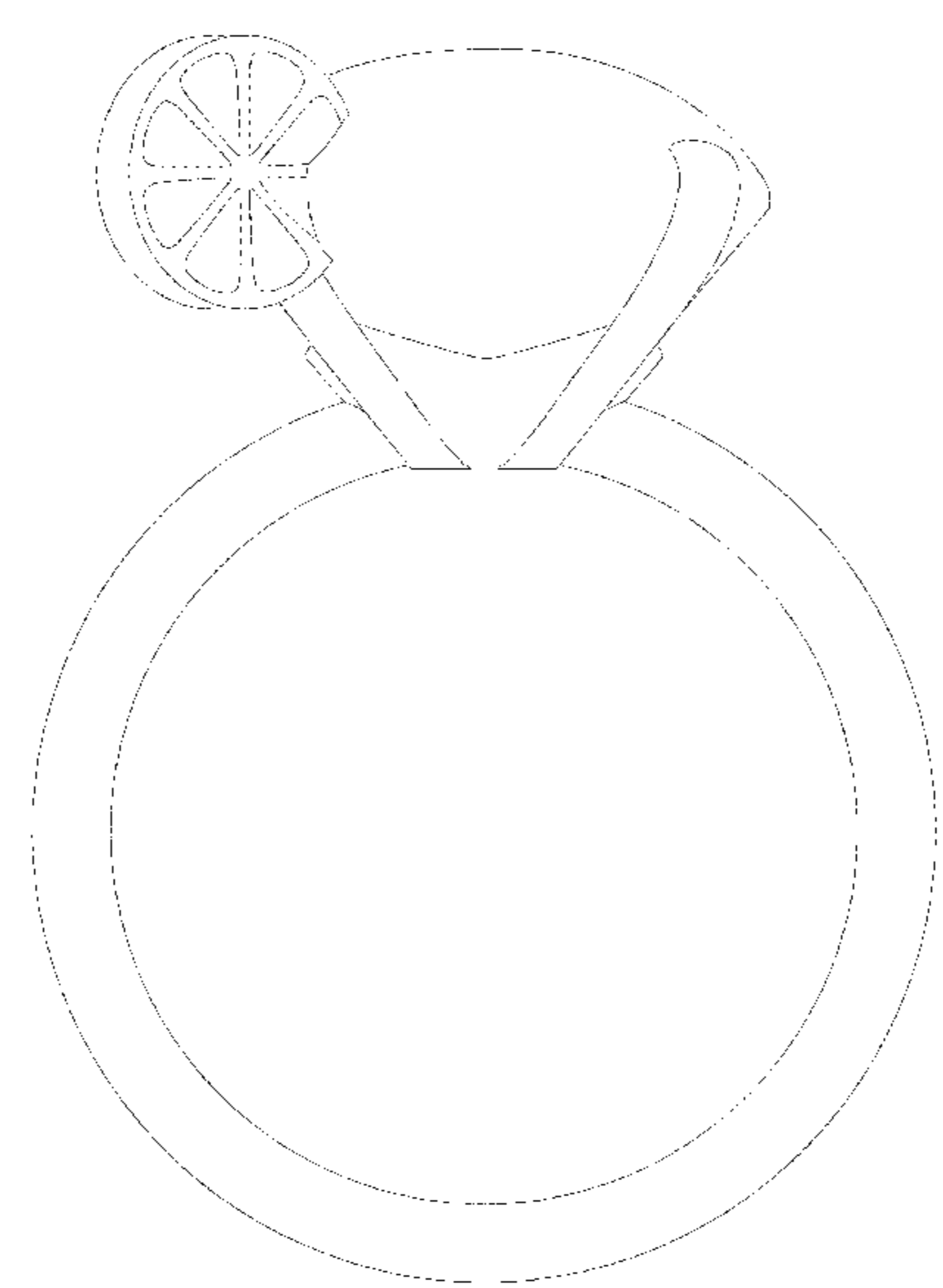
(57) **CLAIM**

The ornamental design for a ring, as shown and described.

DESCRIPTION

FIG. 1 is a front elevational view of a ring showing my new design;
FIG. 2 is a back elevational view thereof;
FIG. 3 is a top plan view thereof;
FIG. 4 is a bottom plan view thereof;
FIG. 5 is a left side elevational view thereof;
FIG. 6 is a right side elevational view thereof;
FIG. 7 is a front, top, right side perspective view thereof;
and,
FIG. 8 is a back, bottom, left side perspective view thereof.

1 Claim, 8 Drawing Sheets



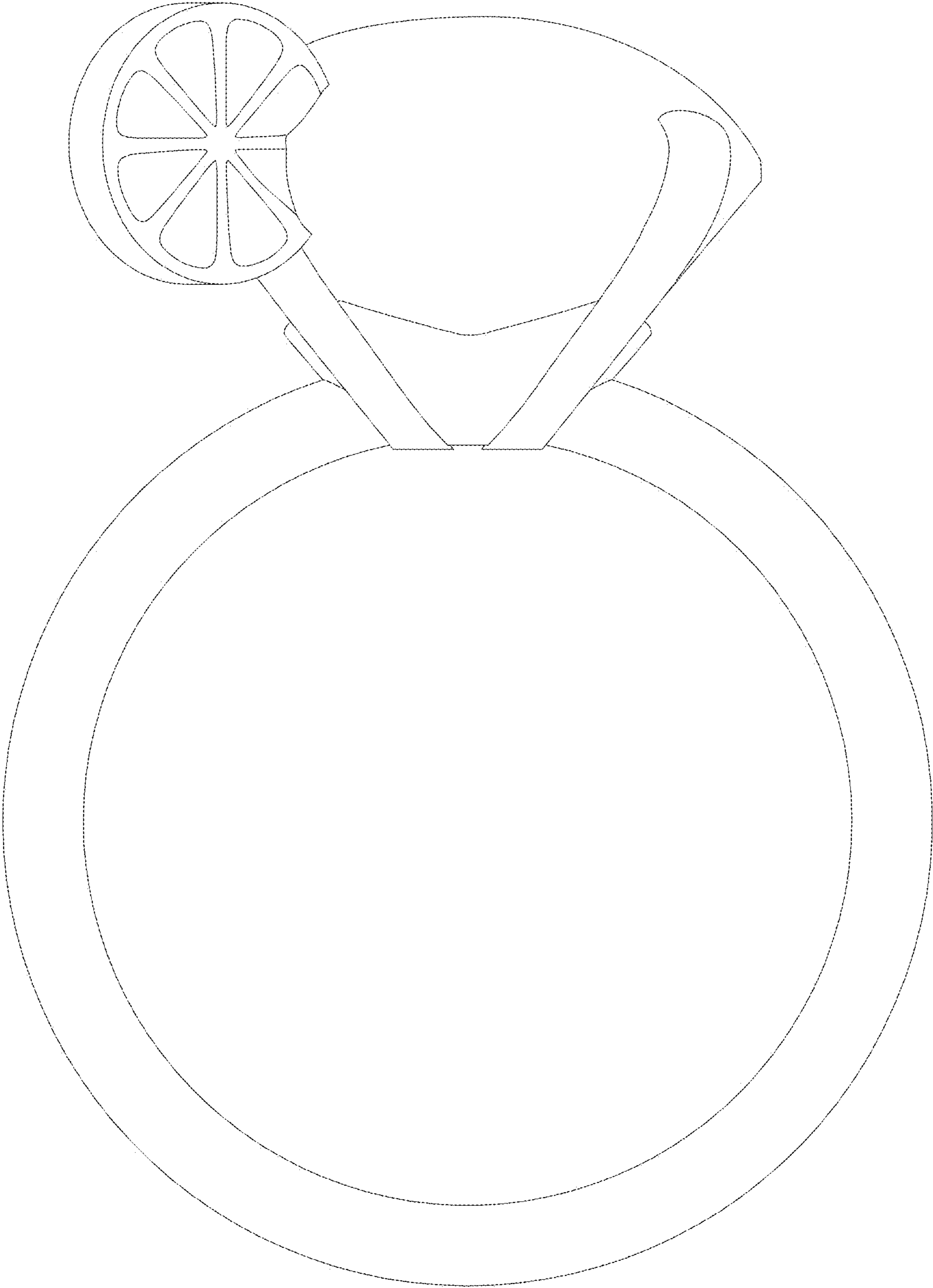


Fig. 1

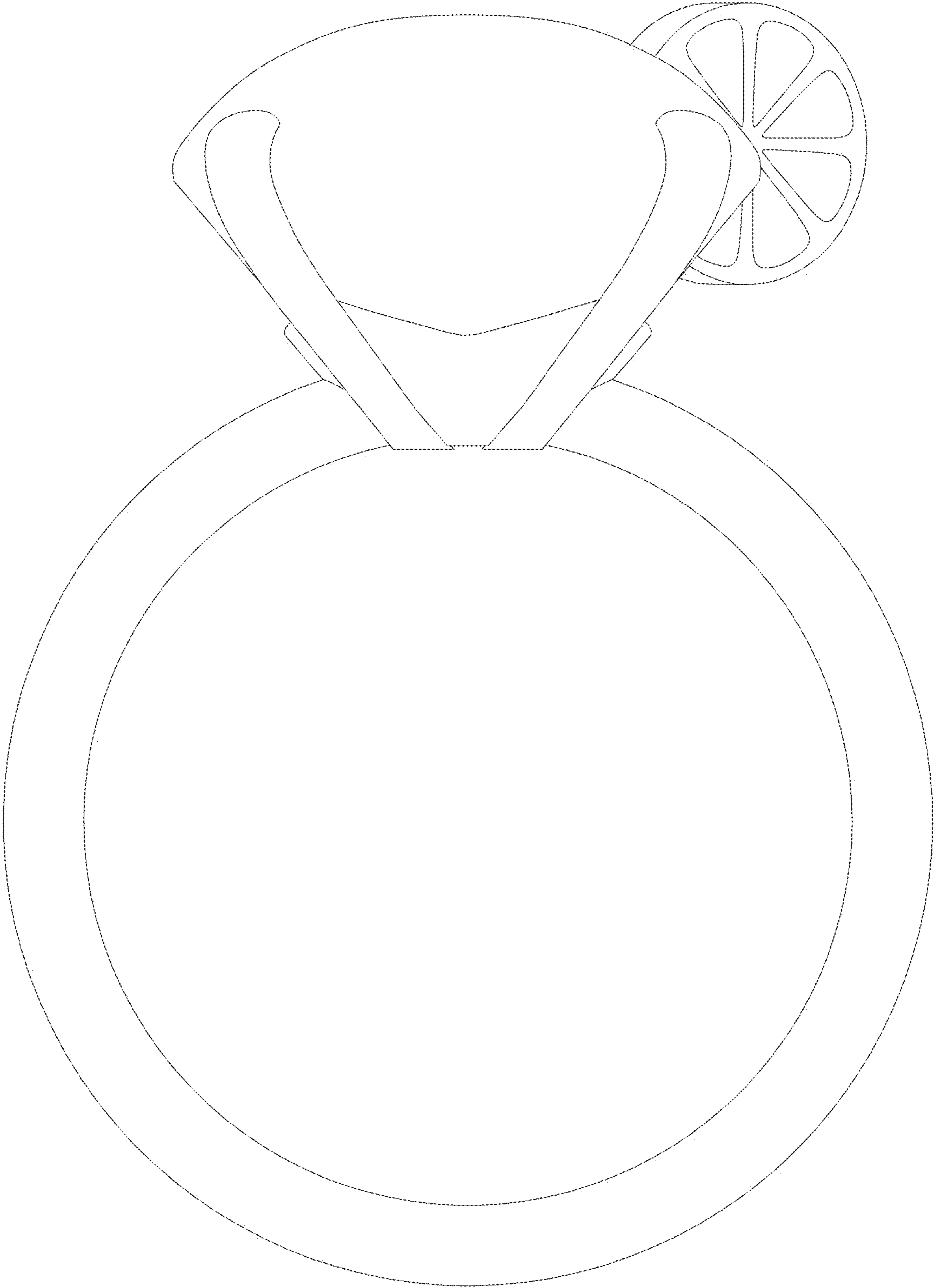


Fig. 2

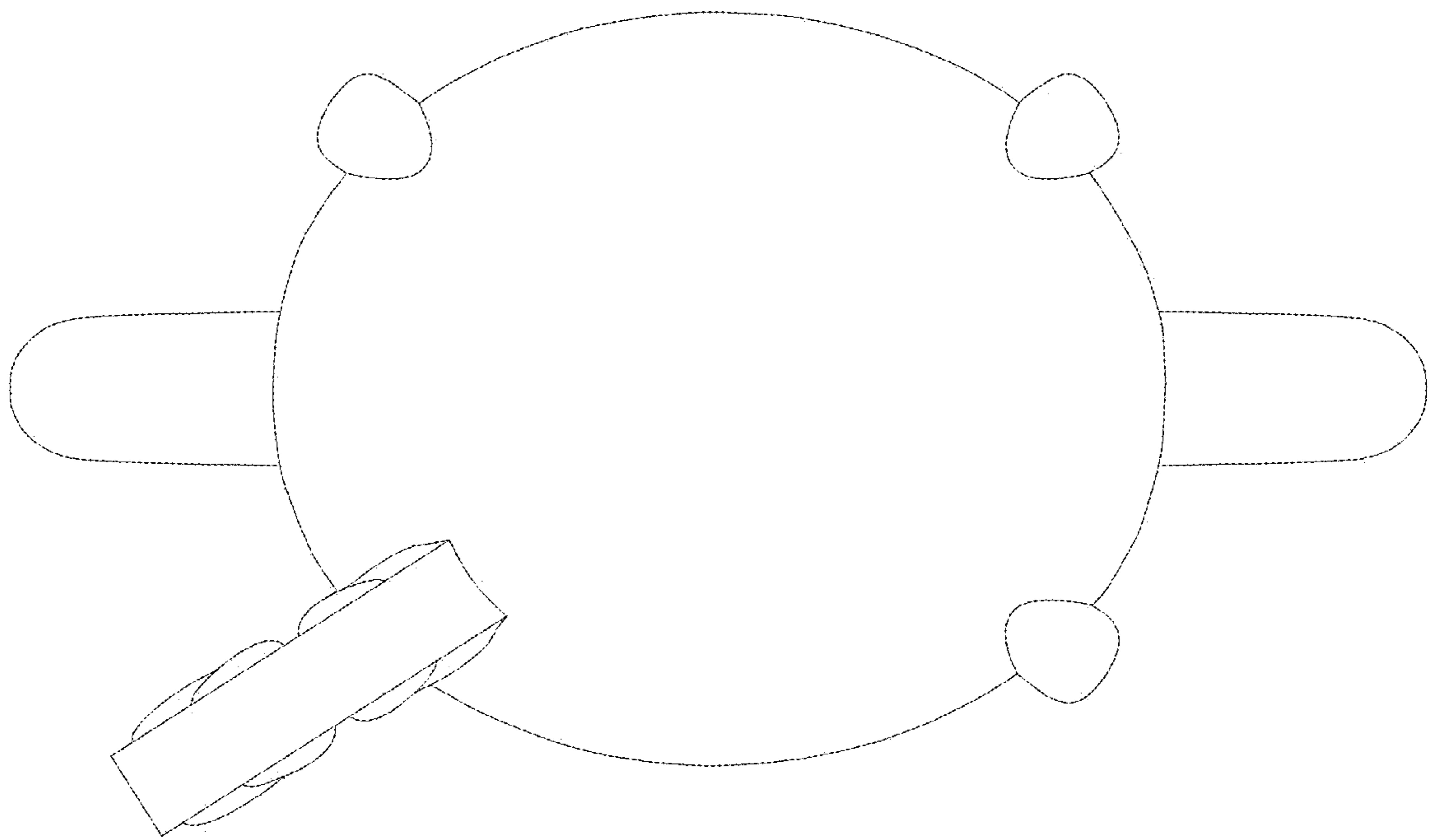


Fig. 3

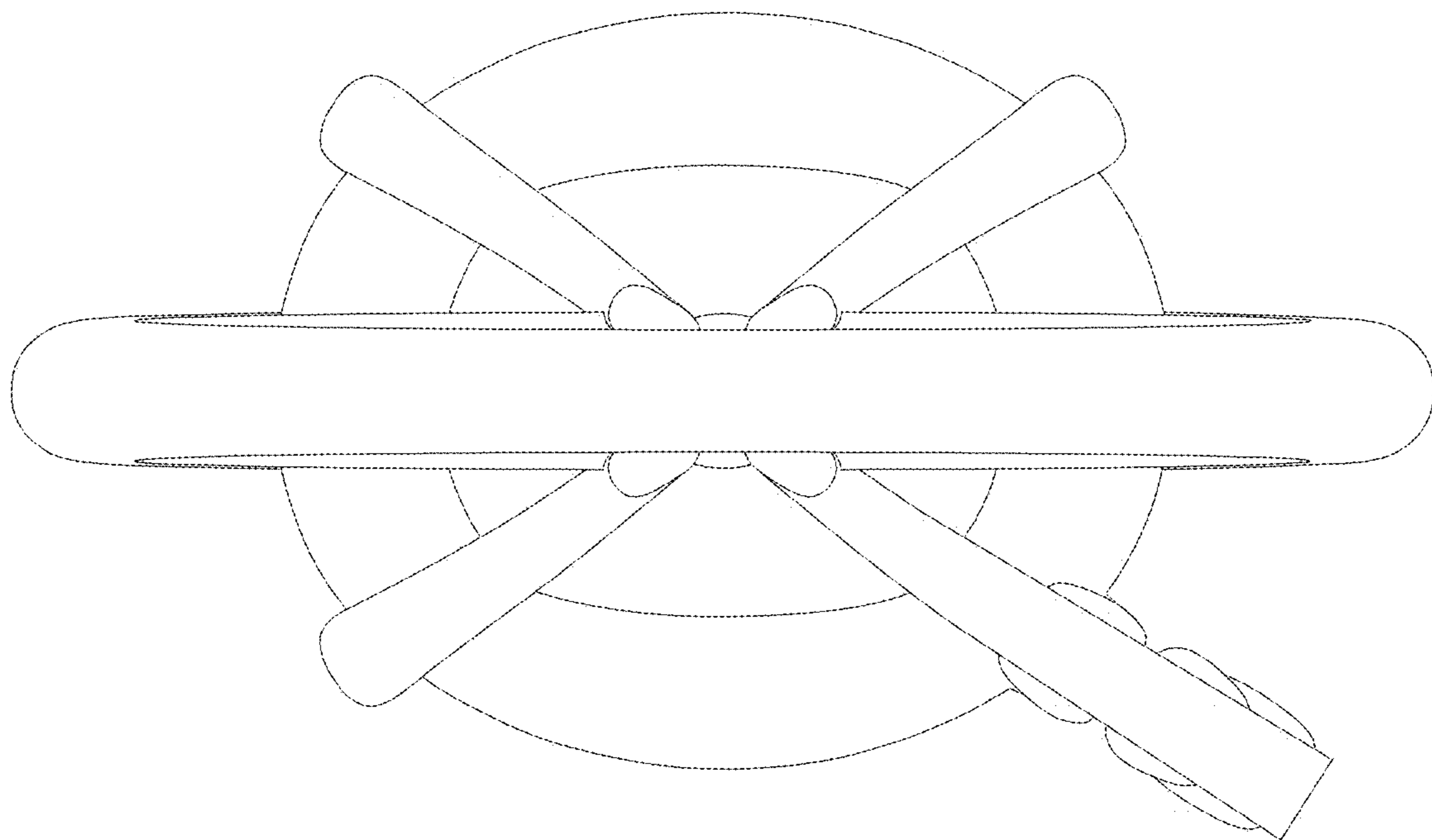


Fig. 4

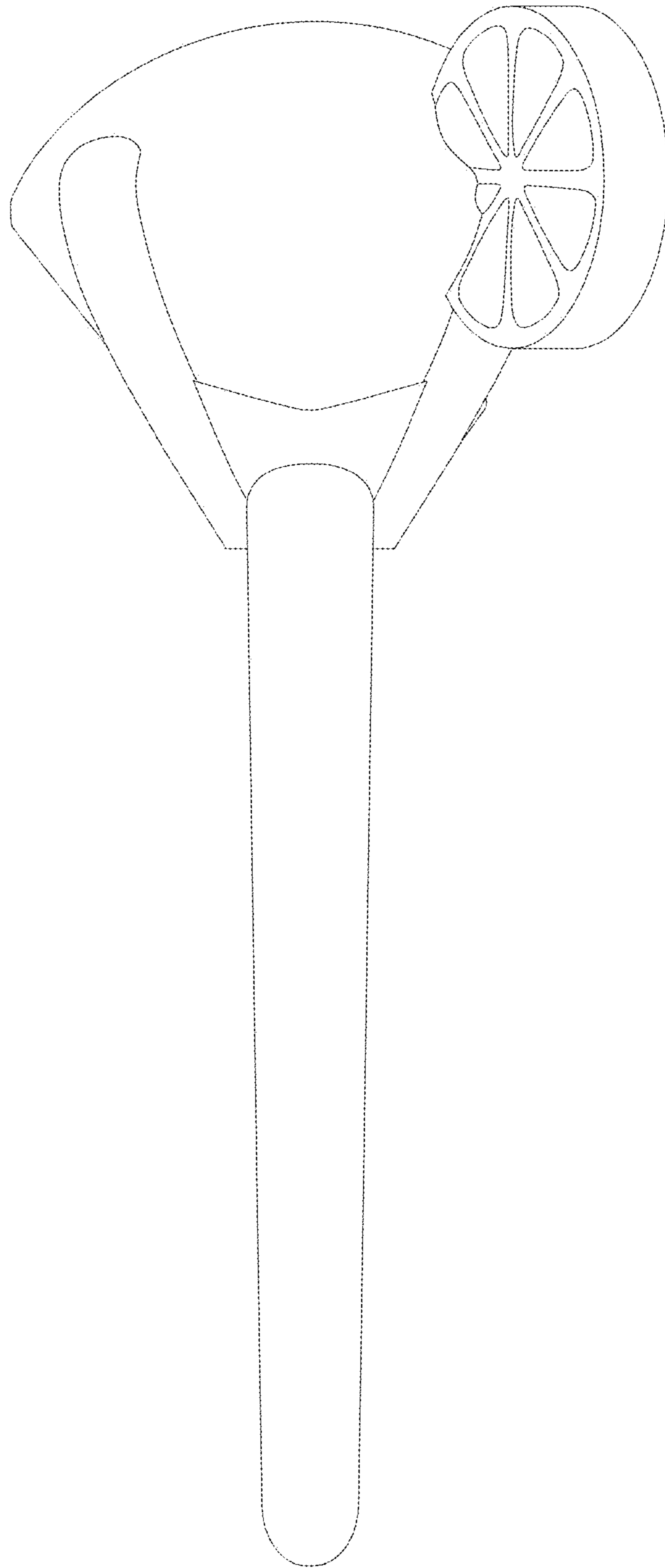


Fig. 5

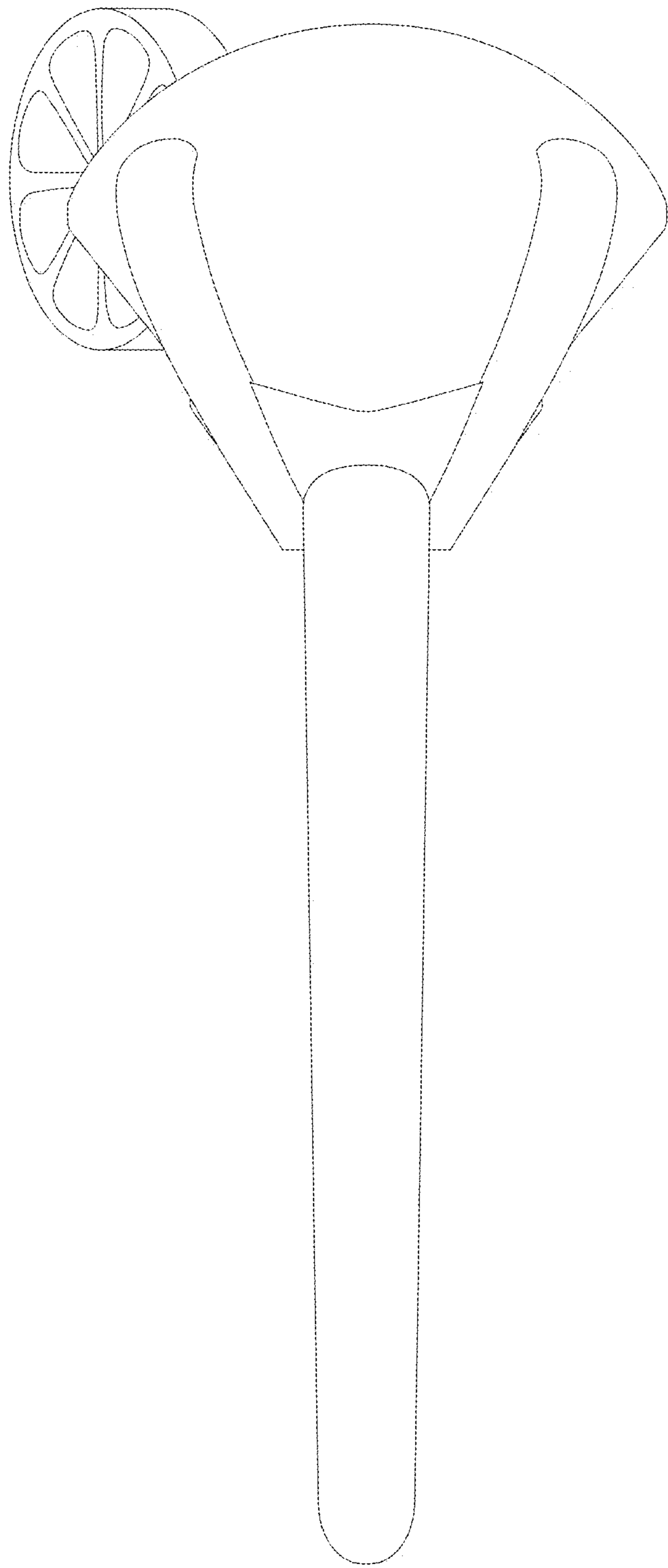


Fig. 6

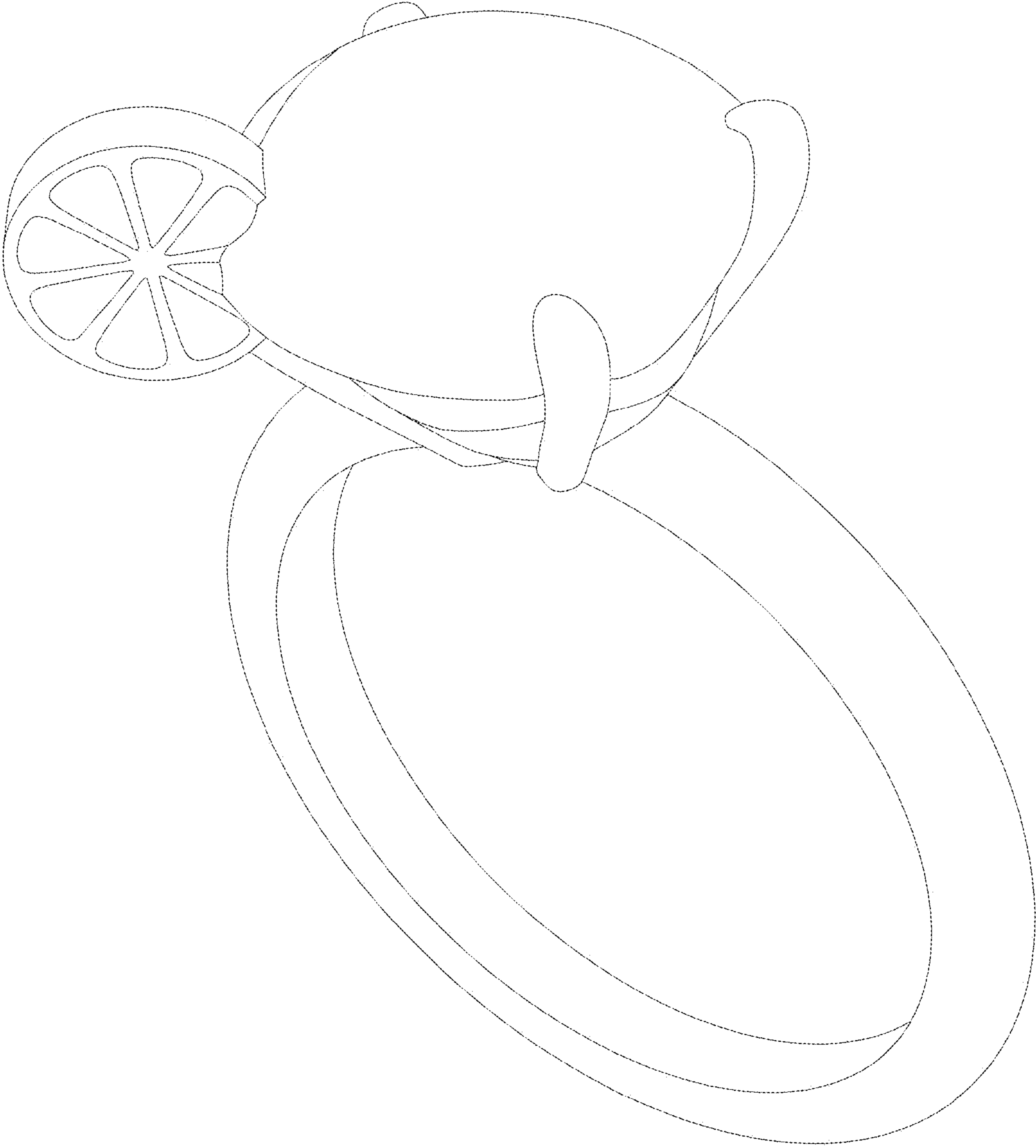


Fig. 7

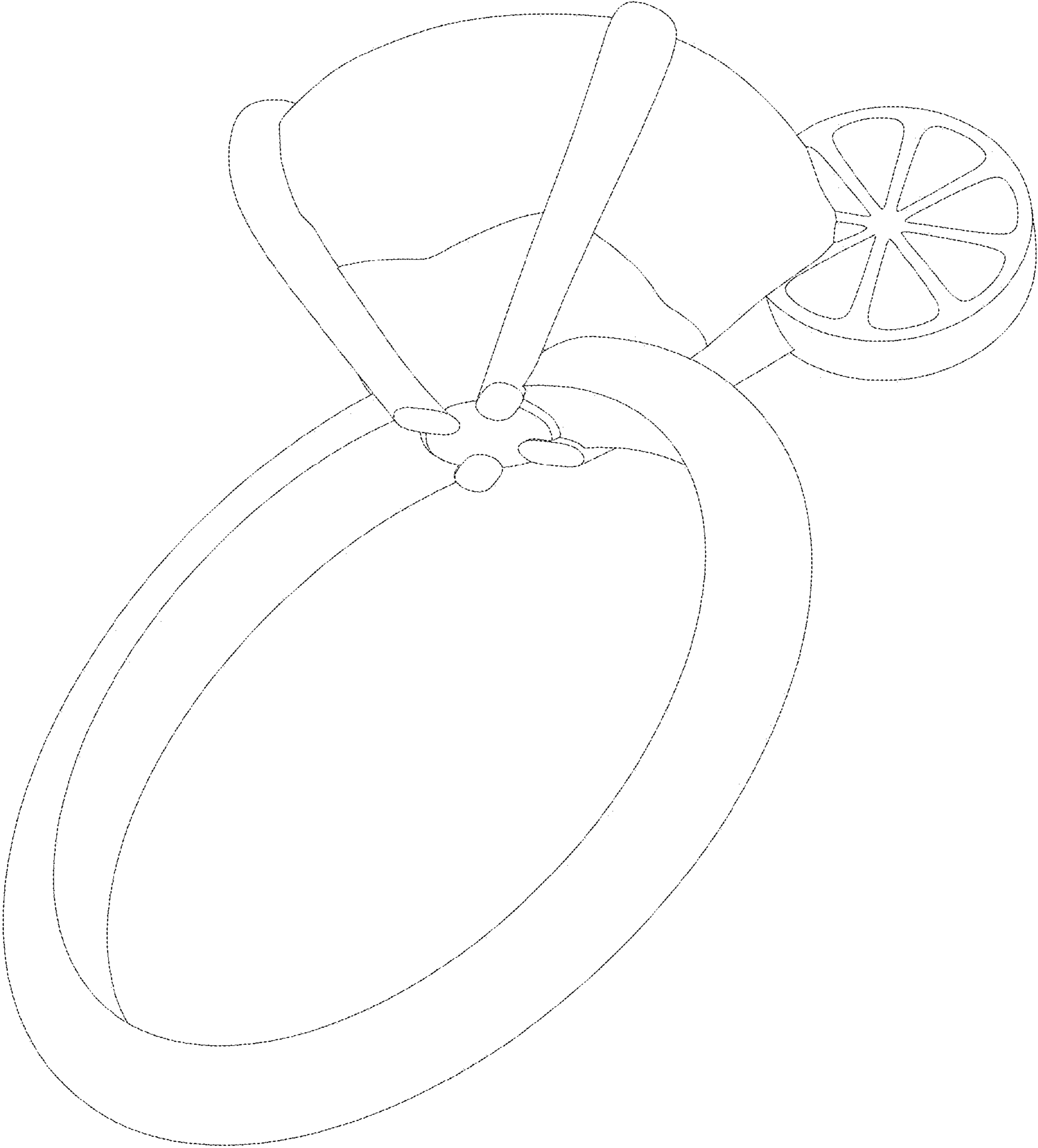


Fig. 8