



US00D908520S

(12) **United States Design Patent** (10) **Patent No.:** **US D908,520 S**
Chabloz (45) **Date of Patent:** **** Jan. 26, 2021**

- (54) **CORRECTOR FOR TIMEPIECES**
- (71) Applicant: **PATEK PHILIPPE SA GENEVE**,
Geneva (CH)
- (72) Inventor: **David Chabloz**, Sallanches (FR)
- (73) Assignee: **PATEK PHILIPPE SA GENEVE**,
Geneva (CH)
- (**) Term: **15 Years**
- (21) Appl. No.: **29/684,724**
- (22) Filed: **Mar. 22, 2019**

Related U.S. Application Data

- (62) Division of application No. 35/504,608, filed on Sep. 15, 2017 (U.S. filing date under 35 U.S.C. 384), and having an international filing date of Sep. 15, 2017, now Pat. No. Des. 853,879.

Foreign Application Priority Data

- Sep. 15, 2017 (WO) DM/097925
- (51) **LOC (13) Cl.** **10-07**
- (52) **U.S. Cl.**
USPC **D10/128**
- (58) **Field of Classification Search**
USPC D10/128, 129
CPC G04B 19/262; G04B 5/00; G04B 13/00;
G04B 17/325; G04B 19/25; G04B 17/00;
G04B 19/02; G04B 17/045; G04B 21/10;
G04B 17/26; G04B 27/04; G04B 33/12;
G04B 19/2536; G04C 11/06; B29C
45/1657

See application file for complete search history.

(56) **References Cited**

U.S. PATENT DOCUMENTS

3,706,197	A *	12/1972	Matsura	G04B 19/25 368/31
D518,387	S	4/2006	Roden	
D519,852	S	5/2006	Roden	
D539,182	S *	3/2007	Perret	D10/128
7,706,214	B2 *	4/2010	Scheufele	G04B 19/2536 368/38
D640,582	S	6/2011	Behling	
D663,646	S	7/2012	Gigandet et al.	
D685,280	S	7/2013	Muller et al.	
8,636,403	B2 *	1/2014	Maier	G04B 5/165 368/169
D705,671	S	5/2014	Mijatovic	
8,891,339	B2 *	11/2014	Kaelin	G04B 33/12 368/220
D725,530	S	3/2015	Graff	
9,176,476	B2 *	11/2015	Loeffel	G04B 27/04
9,229,432	B2 *	1/2016	Ruefenacht	G04C 11/06
9,557,713	B2 *	1/2017	Peters	G04B 5/00
D782,338	S	3/2017	White et al.	
D792,246	S	7/2017	Ruffieux	
9,836,024	B2 *	12/2017	Di Domenico	G04B 17/045
9,862,129	B2 *	1/2018	Strahm	B29C 45/1657

(Continued)

Primary Examiner — George D. Kirschbaum
(74) *Attorney, Agent, or Firm* — Nixon & Vanderhye

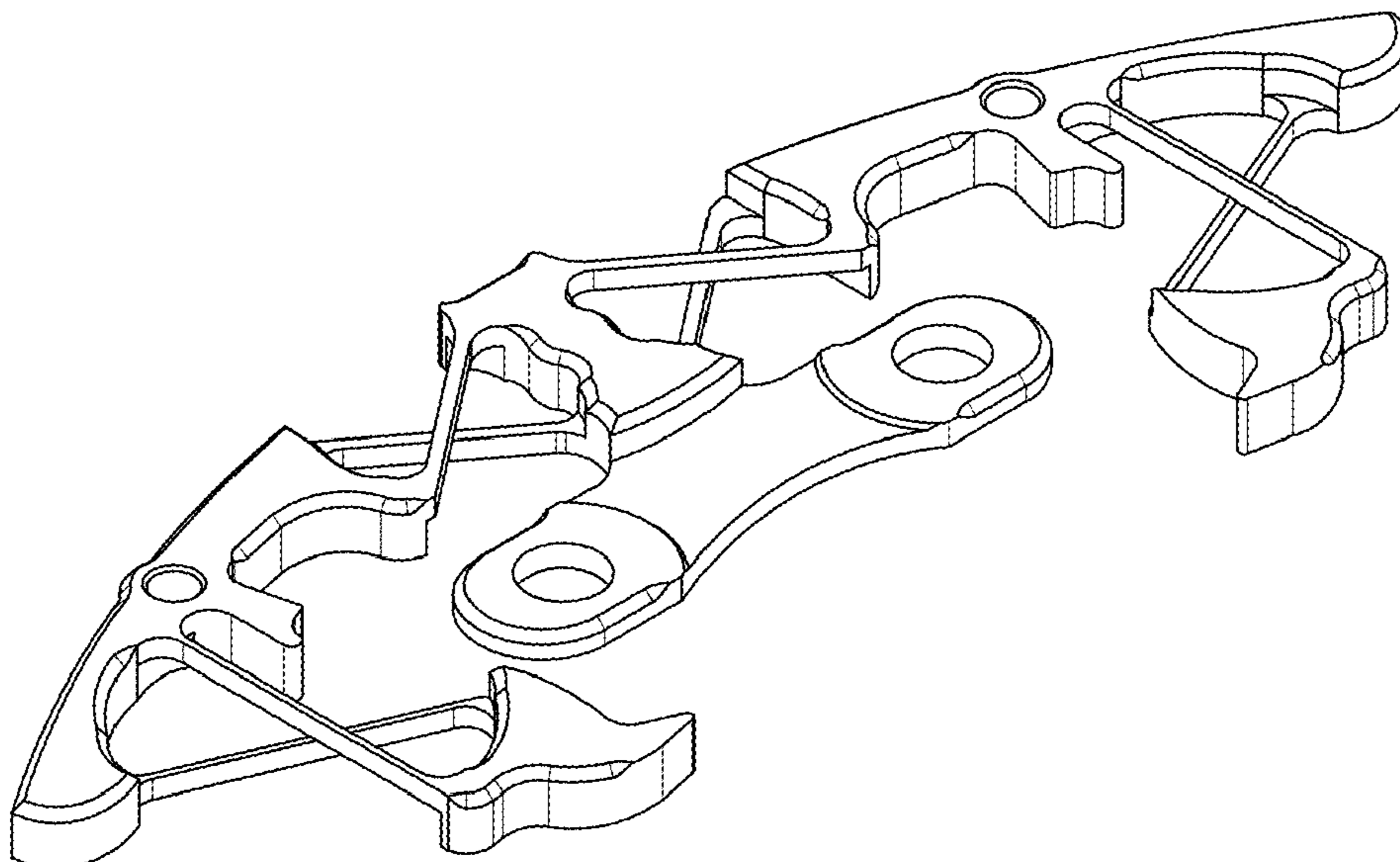
(57) **CLAIM**

The ornamental design for a corrector for timepieces, as shown and described.

DESCRIPTION

FIG. 1 is a front elevation view of a corrector for timepieces showing the new design;
 FIG. 2 is rear elevation view thereof;
 FIG. 3 is a top plan view thereof;
 FIG. 4 is a bottom plan view thereof;
 FIG. 5 is a right side elevation view thereof;
 FIG. 6 is a left side elevation view thereof; and,
 FIG. 7 is a bottom, front perspective view thereof.

1 Claim, 7 Drawing Sheets



(56)

References Cited

U.S. PATENT DOCUMENTS

D810,588	S	2/2018	Macaluso et al.	
D811,905	S	3/2018	White et al.	
D816,517	S	5/2018	Emmenegger	
D816,532	S *	5/2018	Monachon	D10/129
D821,229	S	6/2018	Ruffieux	
D821,906	S	7/2018	Parmigiani	
D827,476	S	9/2018	Blootacker	
D828,206	S	9/2018	Blootacker	
10,114,340	B2 *	10/2018	Di Domenico	G04B 17/26
10,216,146	B2 *	2/2019	Chabloz	G04B 13/00
D853,879	S *	7/2019	Chabloz	D10/128
10,359,737	B2 *	7/2019	Maier	G04B 18/04
10,365,611	B2 *	7/2019	Rochat	G04B 19/262
10,732,570	B2 *	8/2020	Peter	G04B 21/10
D897,229	S *	9/2020	Valzan	D10/129
2009/0067295	A1 *	3/2009	Gil	G04B 19/02 368/69
2011/0044139	A1 *	2/2011	Henein	G04B 17/00 368/125
2013/0114381	A1 *	5/2013	Kaelin	G04B 5/165 368/208
2015/0331390	A1 *	11/2015	Gruenig	G04B 19/25 368/132
2017/0212473	A1 *	7/2017	Wiederrecht	G04B 17/325

* cited by examiner

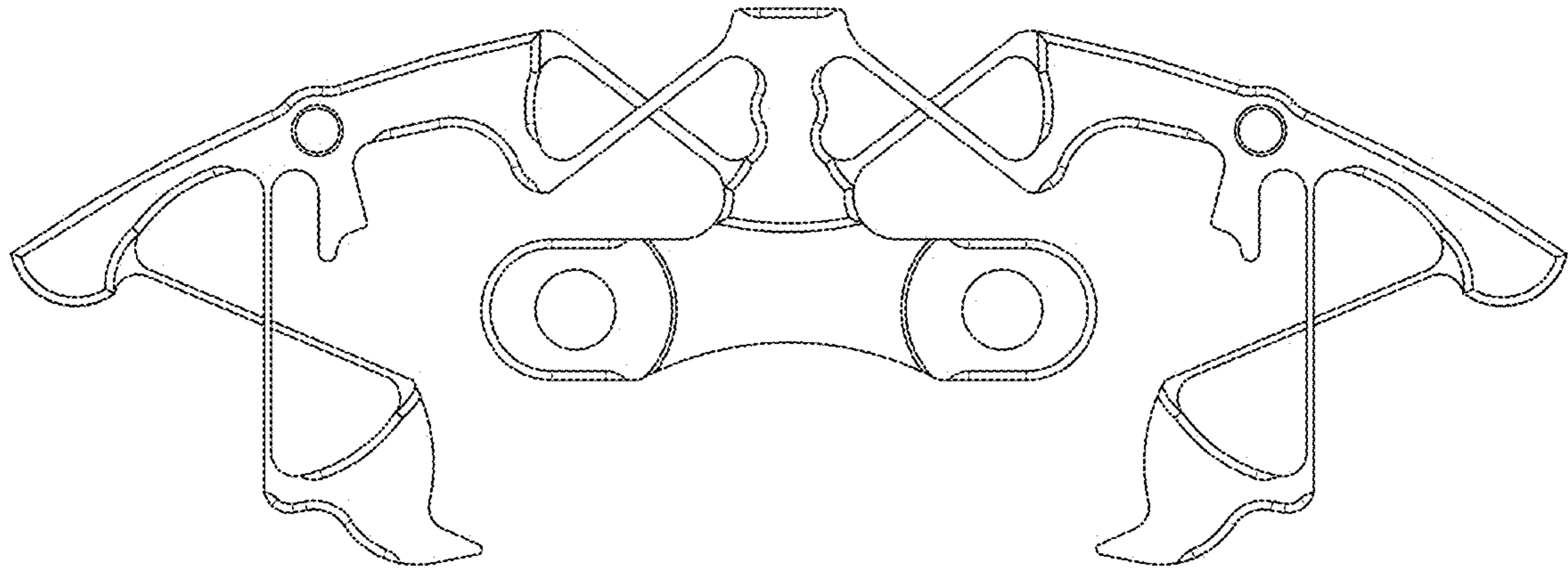


FIG. 1

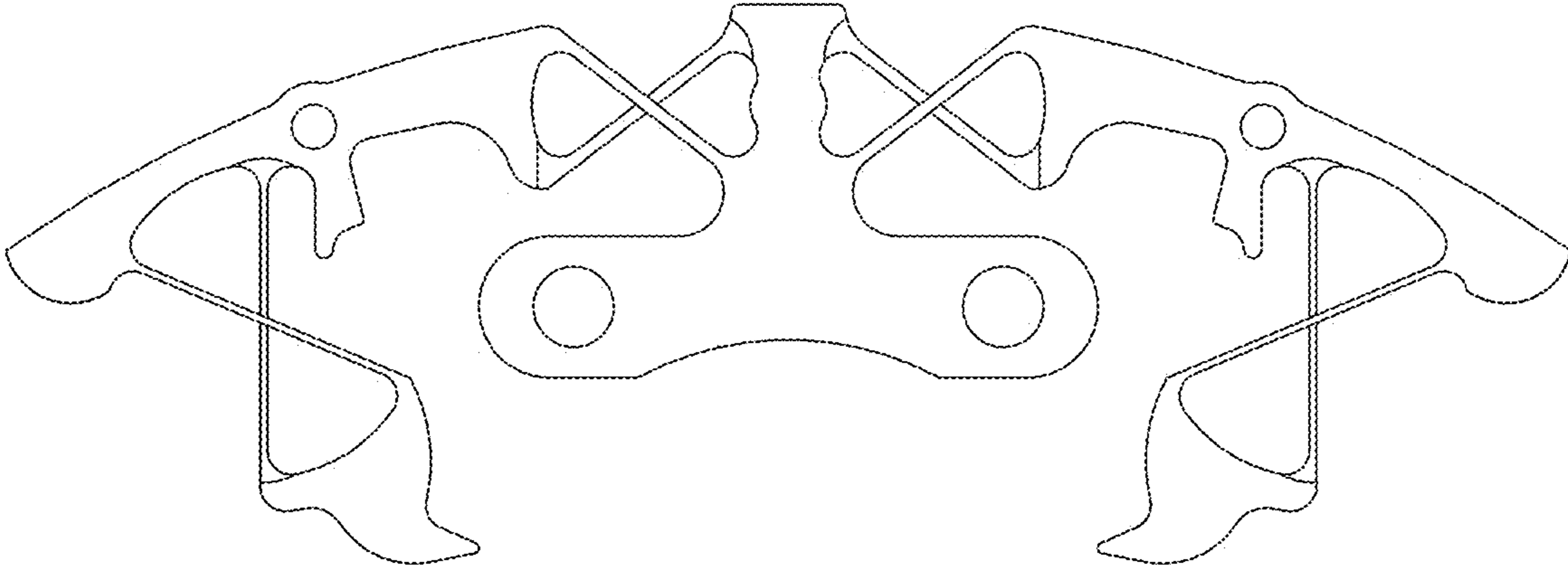


FIG. 2

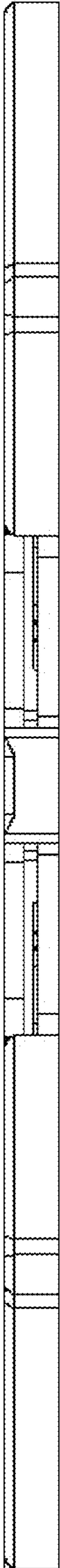


FIG. 3

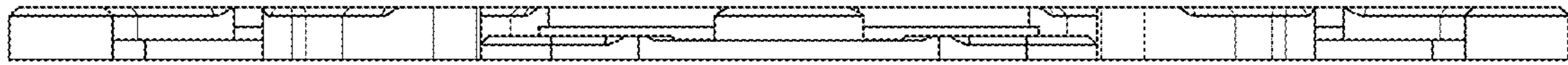


FIG. 4

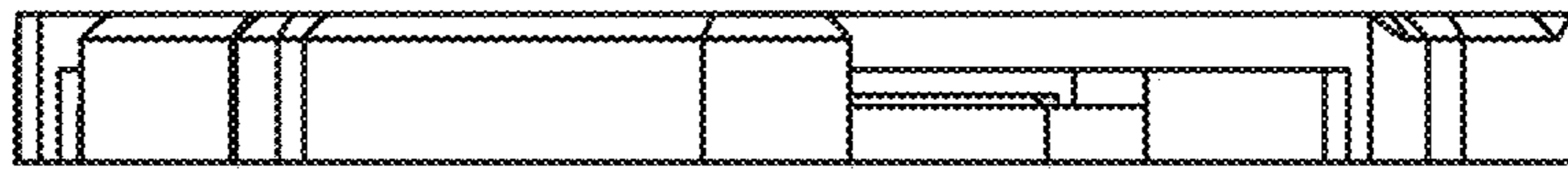


FIG. 5

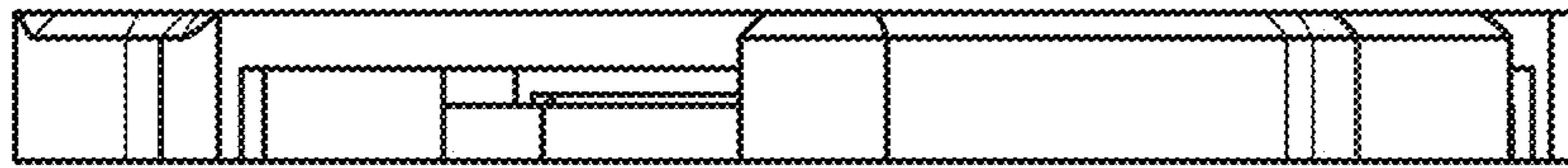


FIG. 6

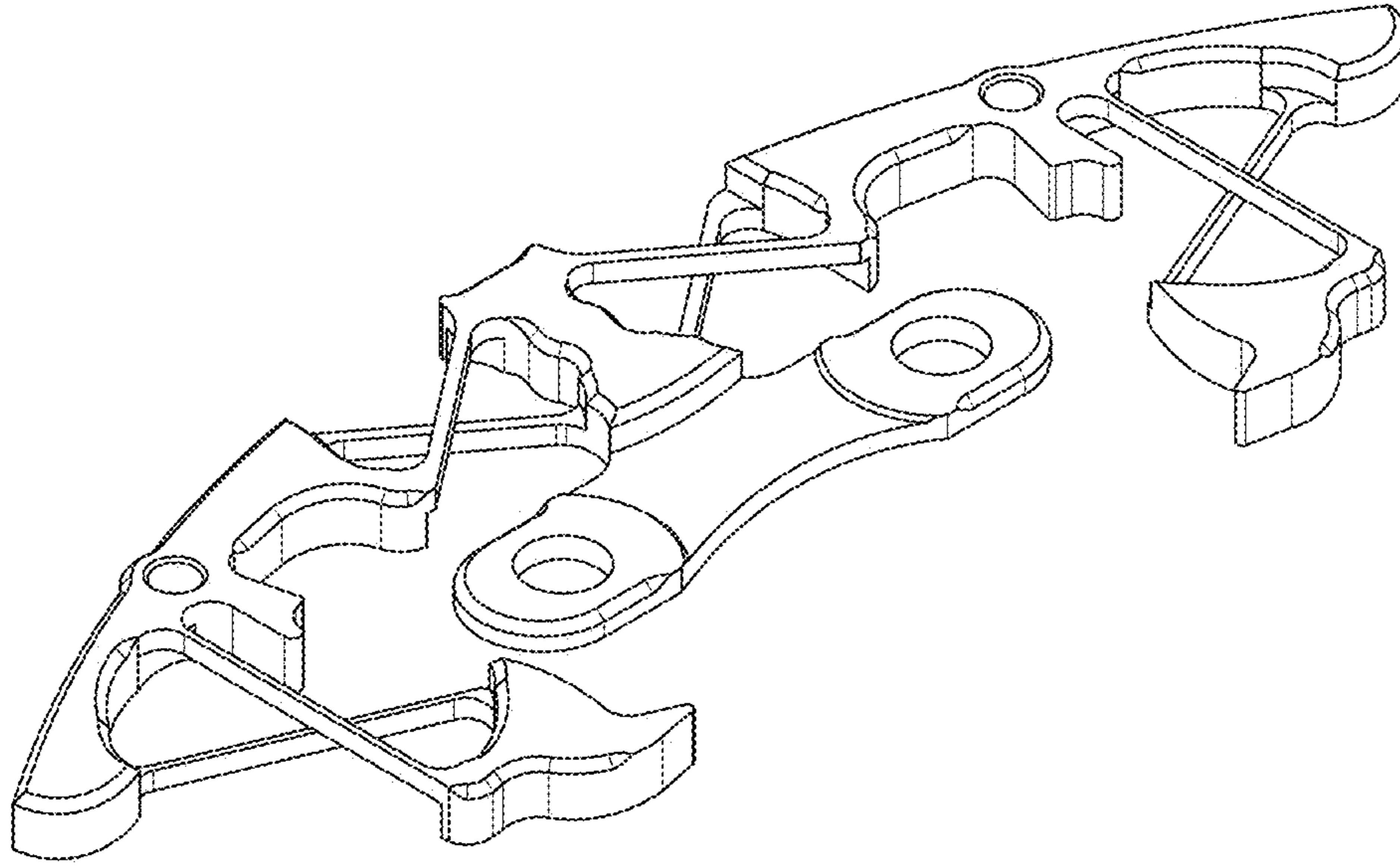


FIG. 7