



US00D908519S

(12) **United States Design Patent**
Shimazu et al.

(10) **Patent No.:** **US D908,519 S**
(45) **Date of Patent:** **** Jan. 26, 2021**

- (54) **SMOKE DETECTOR**
- (71) Applicant: **HOCHIKI CORPORATION**, Tokyo (JP)
- (72) Inventors: **Tomohiko Shimazu**, Tokyo (JP); **Manabu Dohi**, Tokyo (JP); **Keisuke Washizu**, Tokyo (JP)
- (73) Assignee: **HOCHIKI CORPORATION**, Tokyo (JP)
- (**) Term: **15 Years**
- (21) Appl. No.: **29/745,850**
- (22) Filed: **Aug. 10, 2020**

- D326,456 S * 5/1992 Hahn D14/219
- 5,560,569 A * 10/1996 Schmidt B64G 1/50
244/117 A
- D389,152 S * 1/1998 Kurihara D14/215
- 5,915,819 A * 6/1999 Gooding A42B 3/121
36/10
- 6,181,251 B1 * 1/2001 Kelly G08B 7/062
340/628
- D453,880 S * 2/2002 Cheynet D5/47
- D475,942 S * 6/2003 Job D10/106.5
- 6,673,029 B1 * 1/2004 Watson A61F 13/04
602/6
- D497,437 S * 10/2004 Poliacek D25/138

(Continued)

Primary Examiner — George D. Kirschbaum
(74) *Attorney, Agent, or Firm* — Andrew F. Young Esq.;
Nolte Lackenbach Siegel

Related U.S. Application Data

- (63) Continuation-in-part of application No. 35/507,369, filed on Mar. 4, 2019 (U.S. filing date under 35 U.S.C. 384), and having an international filing date of Mar. 4, 2019.

(57) **CLAIM**

The ornamental design for a smoke detector, as shown and described.

(30) **Foreign Application Priority Data**

- Nov. 1, 2018 (JP) 2018-024053
- Mar. 4, 2019 (WO) DM/202062

DESCRIPTION

- (51) **LOC (13) Cl.** **10-05**
- (52) **U.S. Cl.**
USPC **D10/106.2**
- (58) **Field of Classification Search**
USPC D10/106.5, 106.2, 104.1, 81; D14/219
CPC G08B 1/00; B32B 27/20
See application file for complete search history.

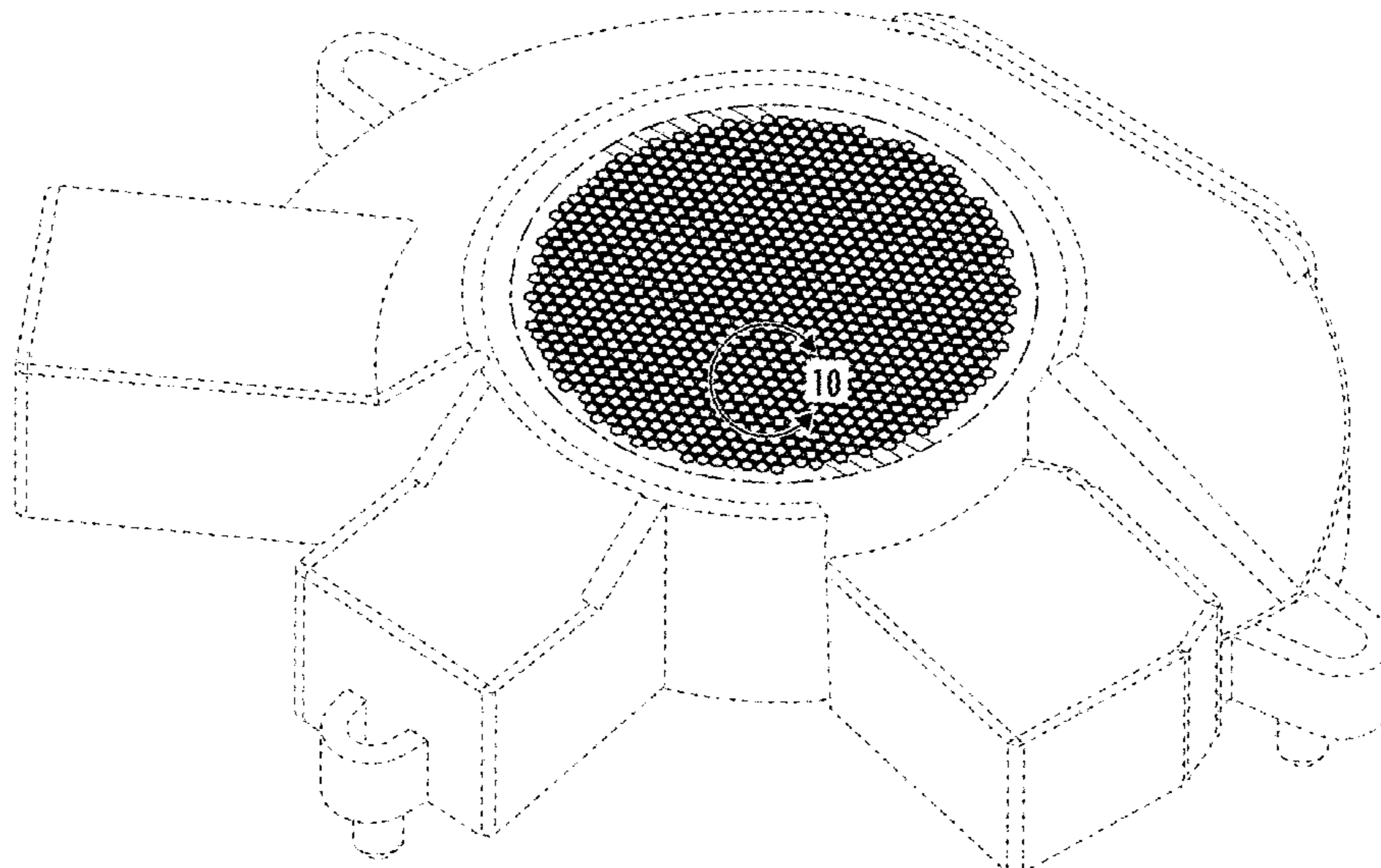
FIG. 1 is a front, top, perspective view of a smoke detector.
 FIG. 2 is a rear, top, perspective view of FIG. 1.
 FIG. 3 is a front elevation view of FIG. 1.
 FIG. 4 is a rear elevation of FIG. 1.
 FIG. 5 is a right side elevation view of FIG. 1.
 FIG. 6 is a left side elevation view of FIG. 1.
 FIG. 7 is a top plan view of FIG. 1.
 FIG. 8 is a bottom plan view of FIG. 1.
 FIG. 9 is an enlarged view of region 9 in FIG. 1.
 FIG. 10 is an enlarged view of region 10 in FIG. 2.
 FIG. 11 is an enlarged top plan view of region 11 in FIG. 7; and,
 FIG. 12 is a partial sectional view from Section 12-12 in FIG. 11.

(56) **References Cited**

U.S. PATENT DOCUMENTS

- 3,775,526 A * 11/1973 Gilmore B29C 44/5663
264/156
- D254,188 S * 2/1980 Odom D10/106.5

1 Claim, 10 Drawing Sheets



(56)

References Cited

U.S. PATENT DOCUMENTS

6,969,548 B1 * 11/2005 Goldfine B29C 44/1214
428/159
D609,922 S * 2/2010 Bridges D5/53
D648,439 S * 11/2011 Greener D24/189
D703,566 S * 4/2014 Chen D10/106.5
D726,326 S * 4/2015 Schrammel D24/189
D745,688 S * 12/2015 Chan D24/189
D745,690 S * 12/2015 Devenish D24/189
D748,344 S * 1/2016 Snyder D29/121.2
D771,512 S * 11/2016 Kalyan D10/106.5
D786,725 S * 5/2017 McCormick D10/106.5
9,717,290 B2 * 8/2017 Gildersleeve B32B 7/14
D803,789 S * 11/2017 Levesque H05K 7/20572
D13/155
D804,043 S * 11/2017 Gildersleeve D24/189
D843,973 S * 3/2019 Klosowski D14/216
D856,961 S * 8/2019 Suzuki D14/149
10,569,495 B2 * 2/2020 Waldrop, III B32B 27/20
D876,935 S * 3/2020 Krull D8/367
D877,122 S * 3/2020 Klosowski D14/216
D880,324 S * 4/2020 Greenwood D10/104.1
D883,256 S * 5/2020 Zeng D14/219
D884,536 S * 5/2020 Liu D10/106.5
D885,224 S * 5/2020 Liu D10/106.5
D885,225 S * 5/2020 Liu D10/106.5
D885,950 S * 6/2020 Veja D10/104.1
D893,459 S * 8/2020 Lum D14/219

* cited by examiner

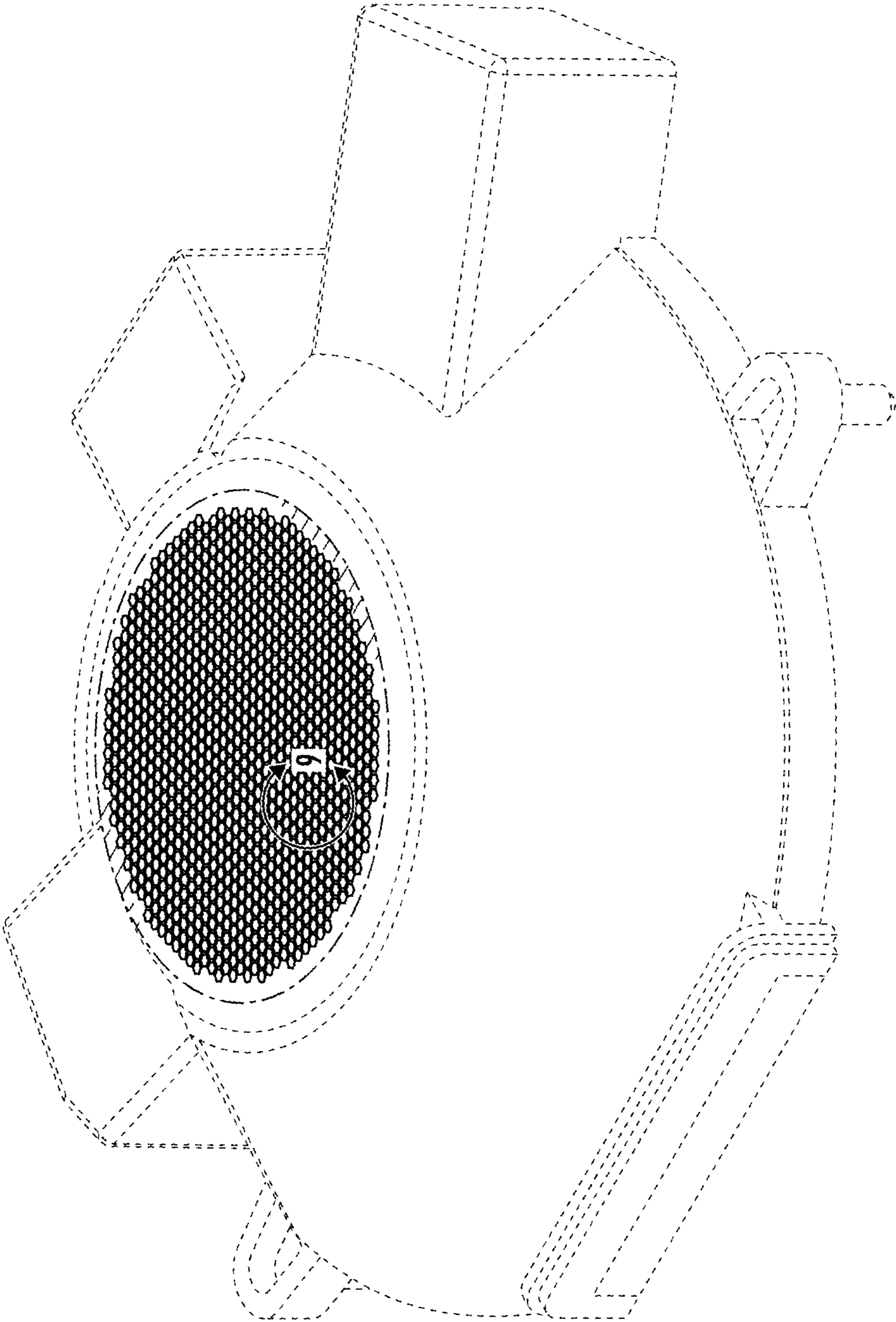


FIG. 7

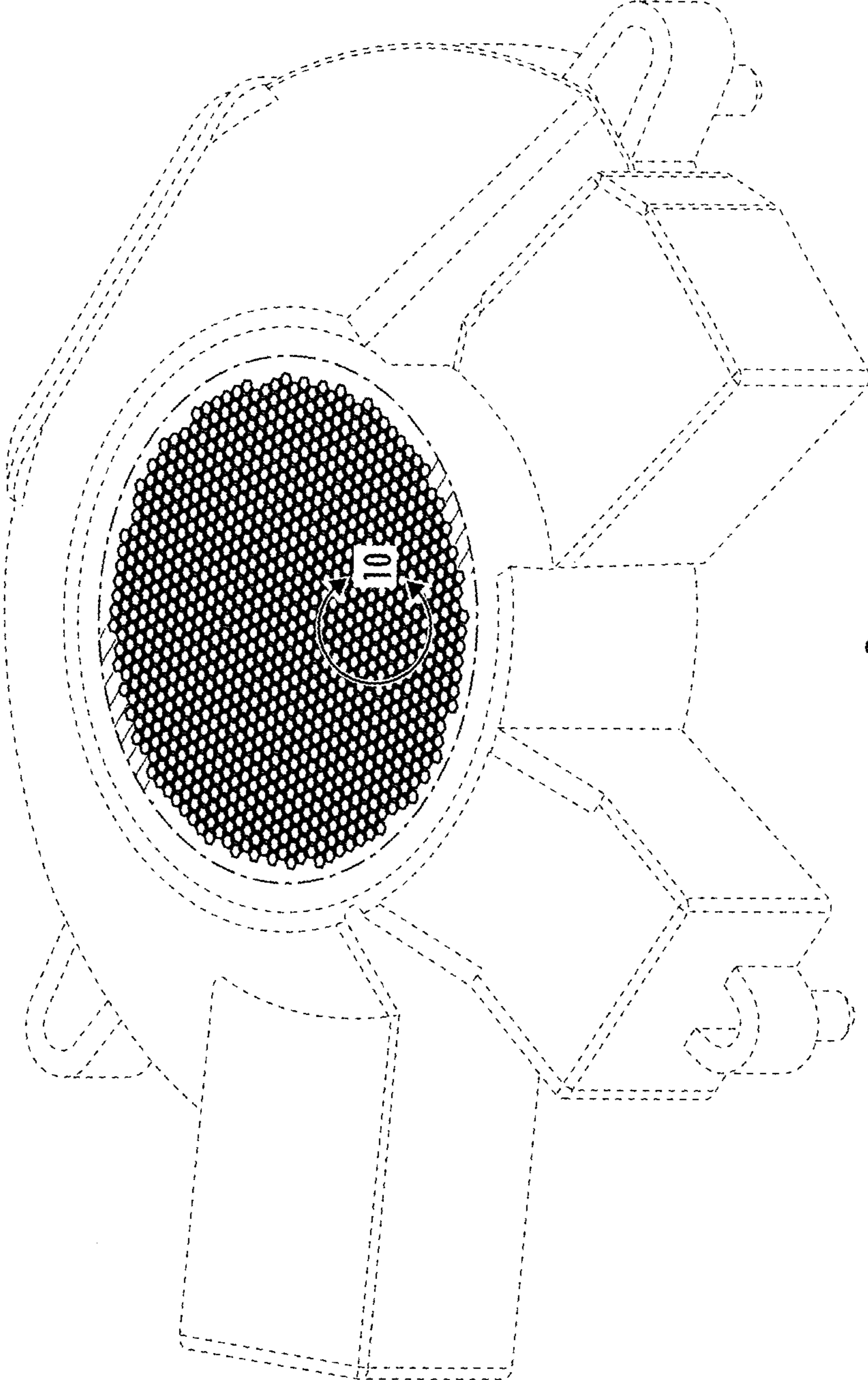


FIG. 2

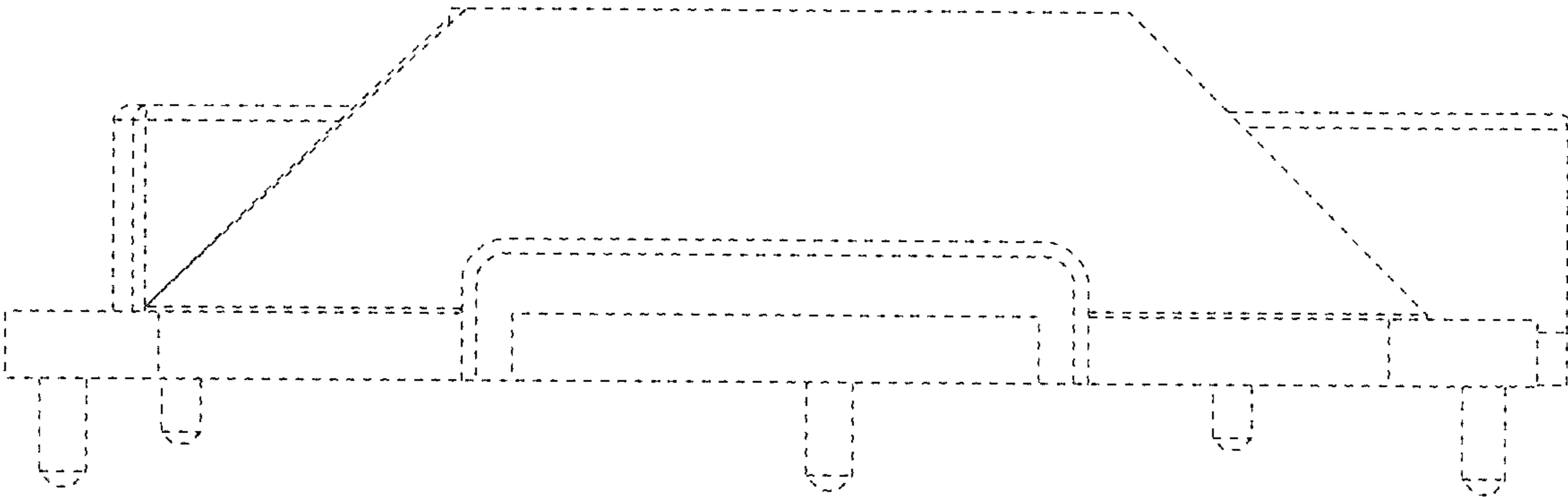


FIG. 3

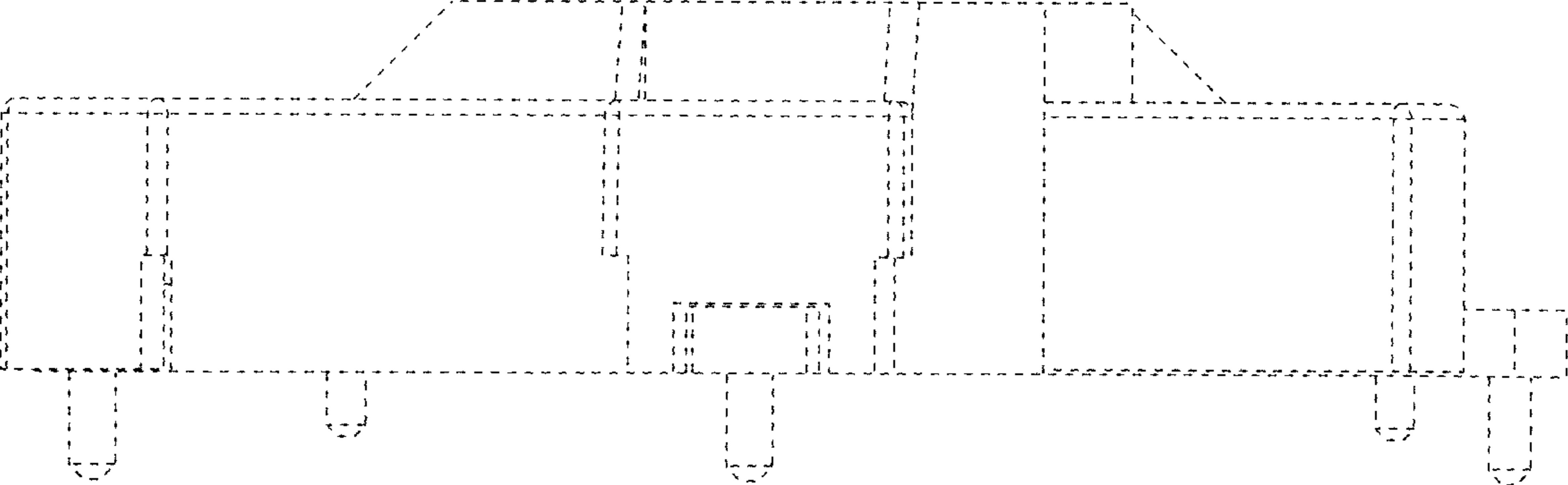


FIG. 4

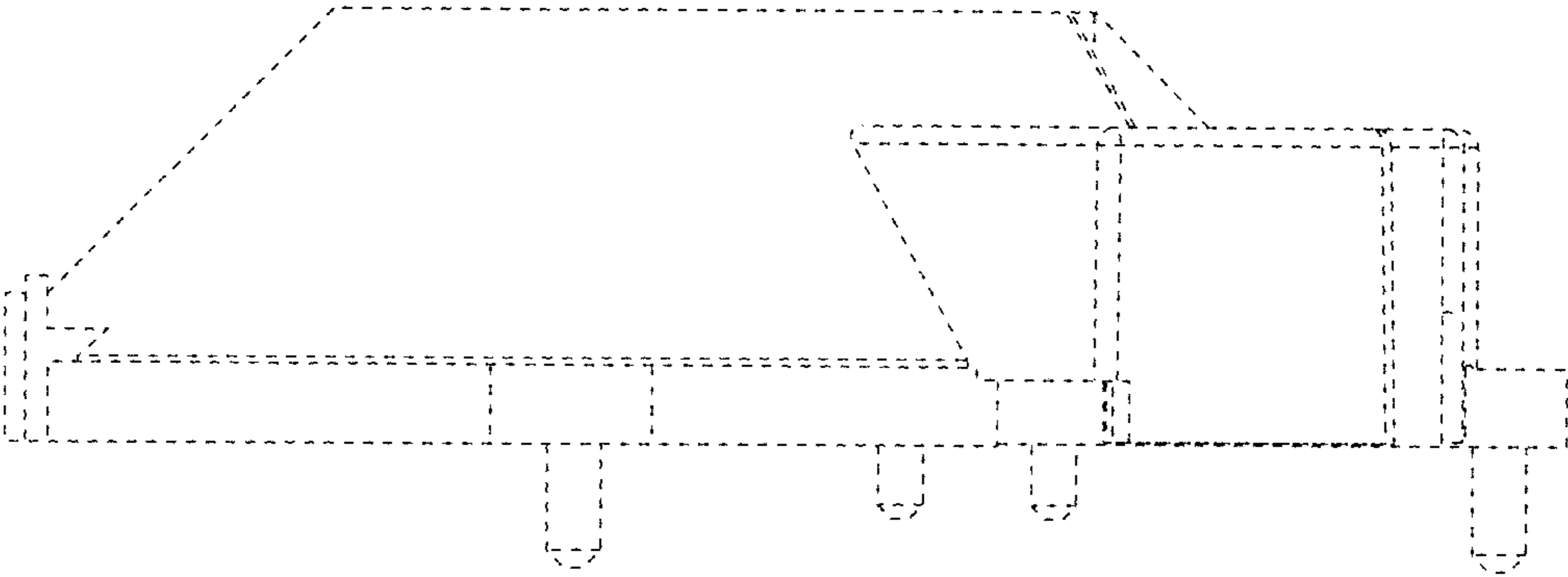


FIG. 5

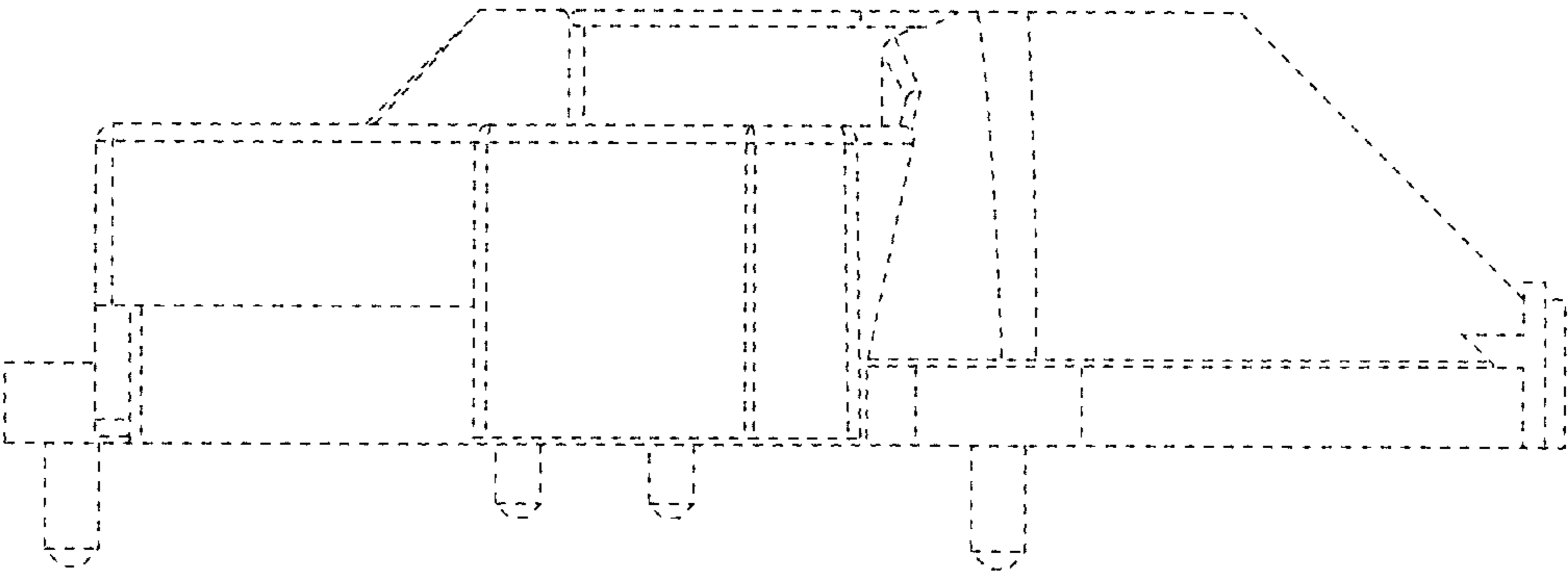


FIG. 6

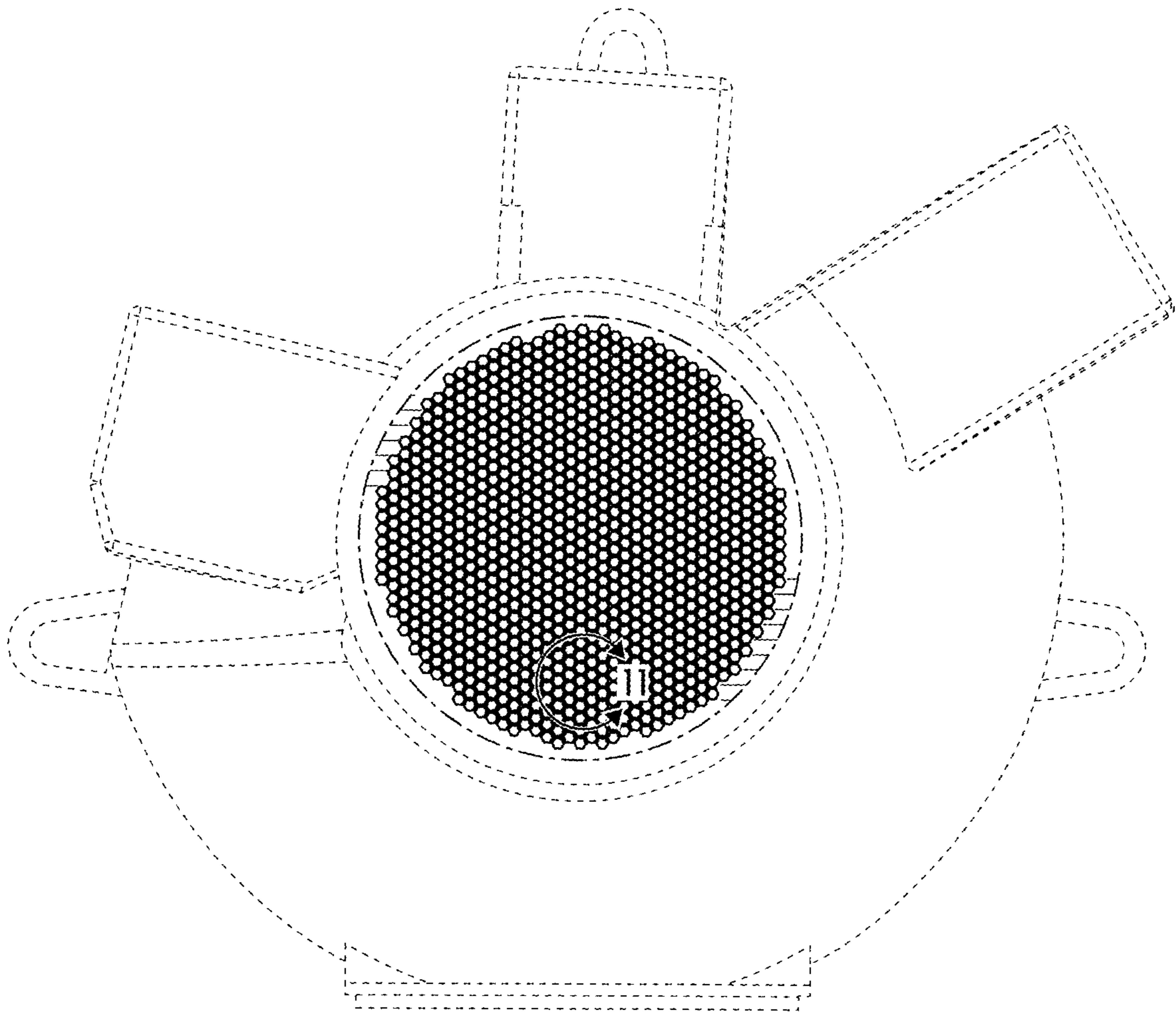


FIG. 7

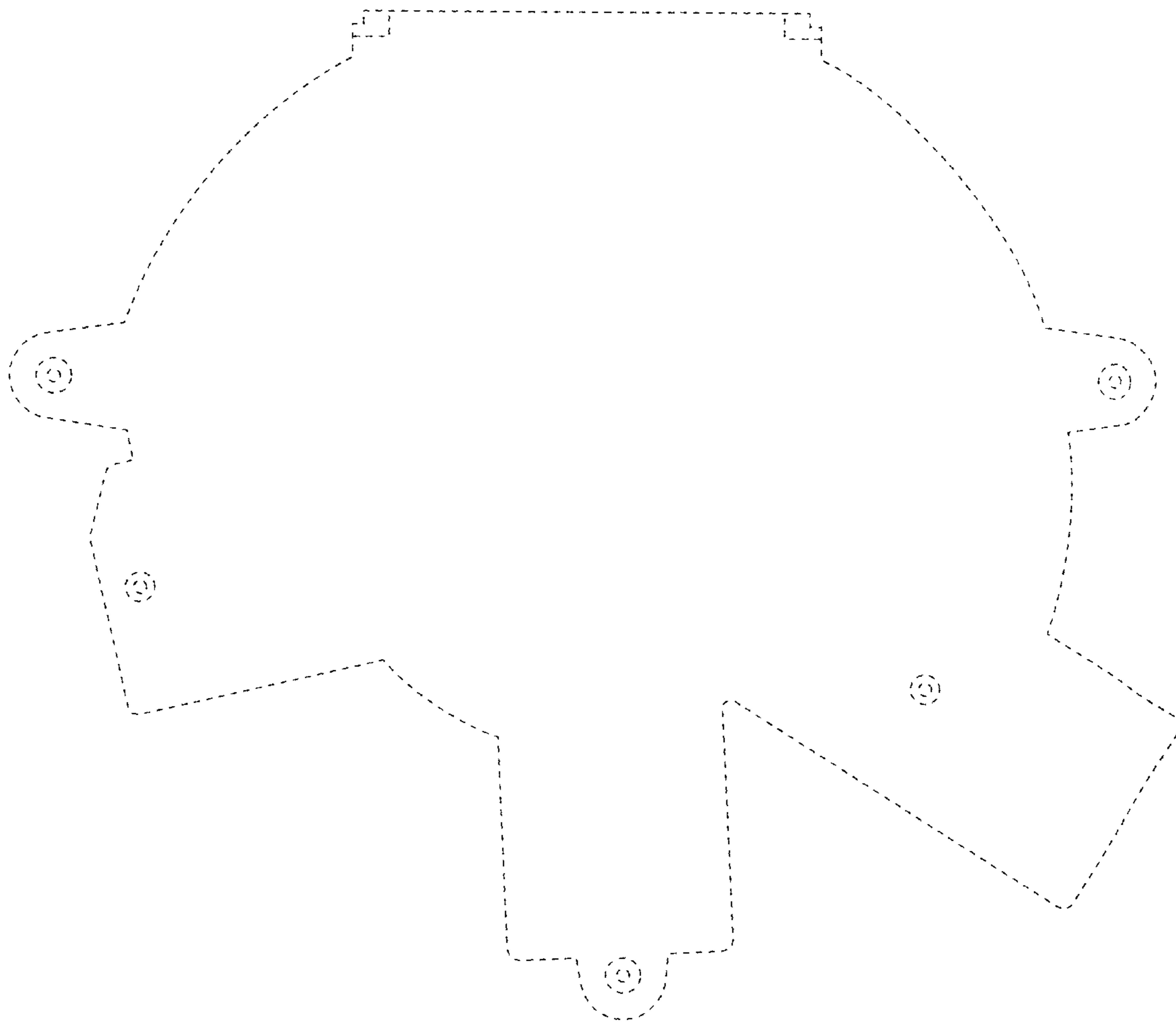


FIG. 8

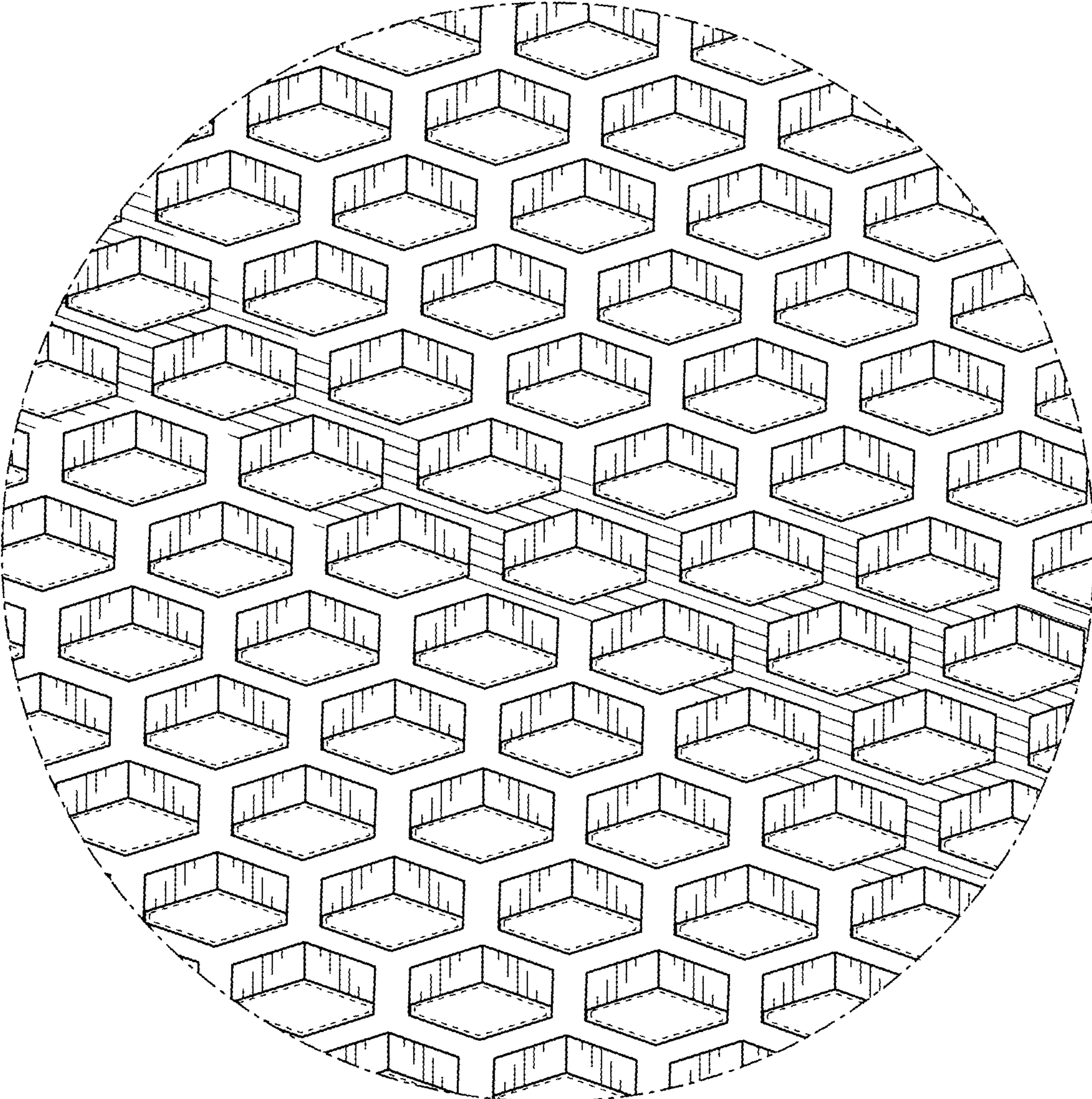


FIG. 9

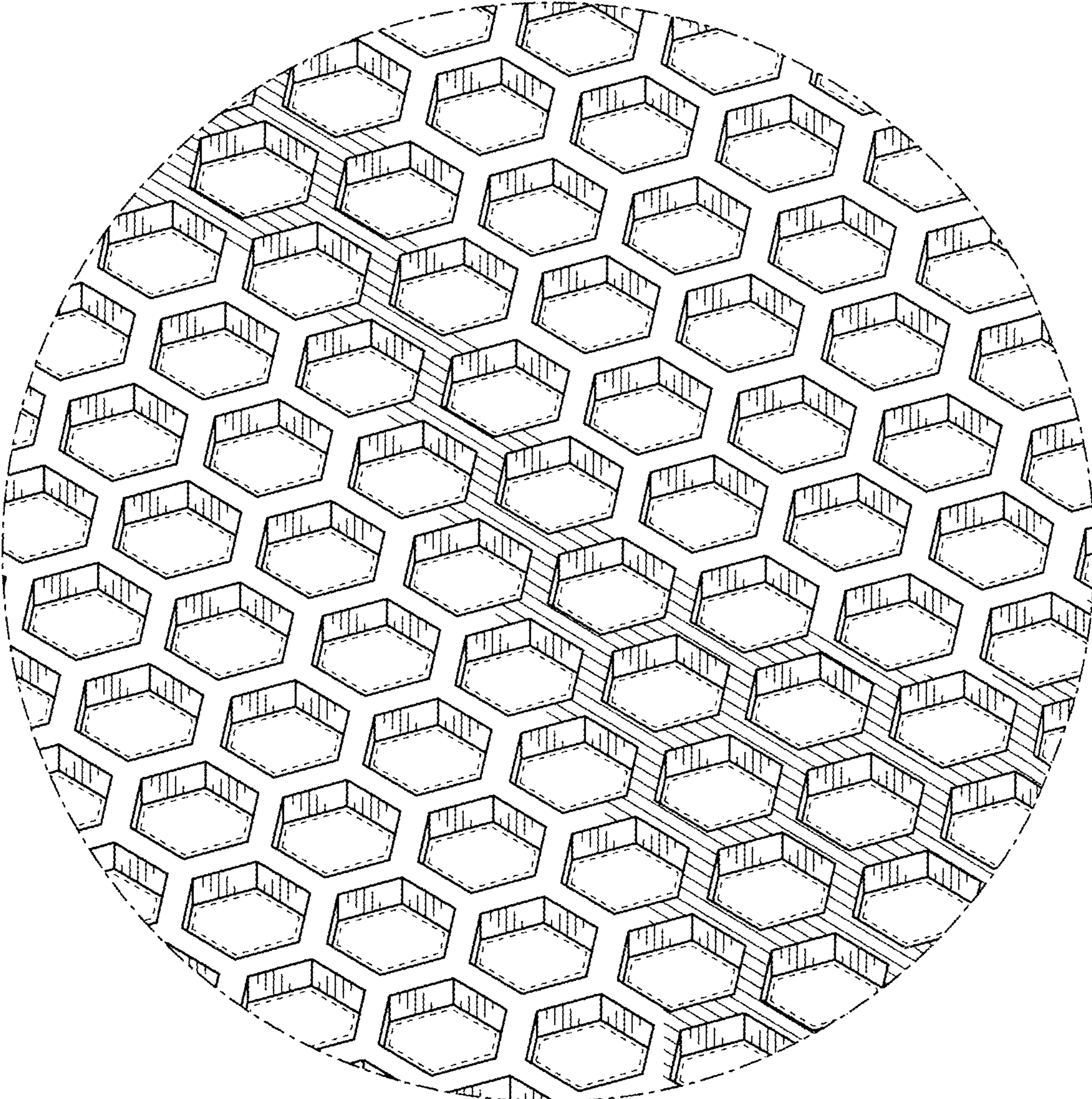


FIG. 10

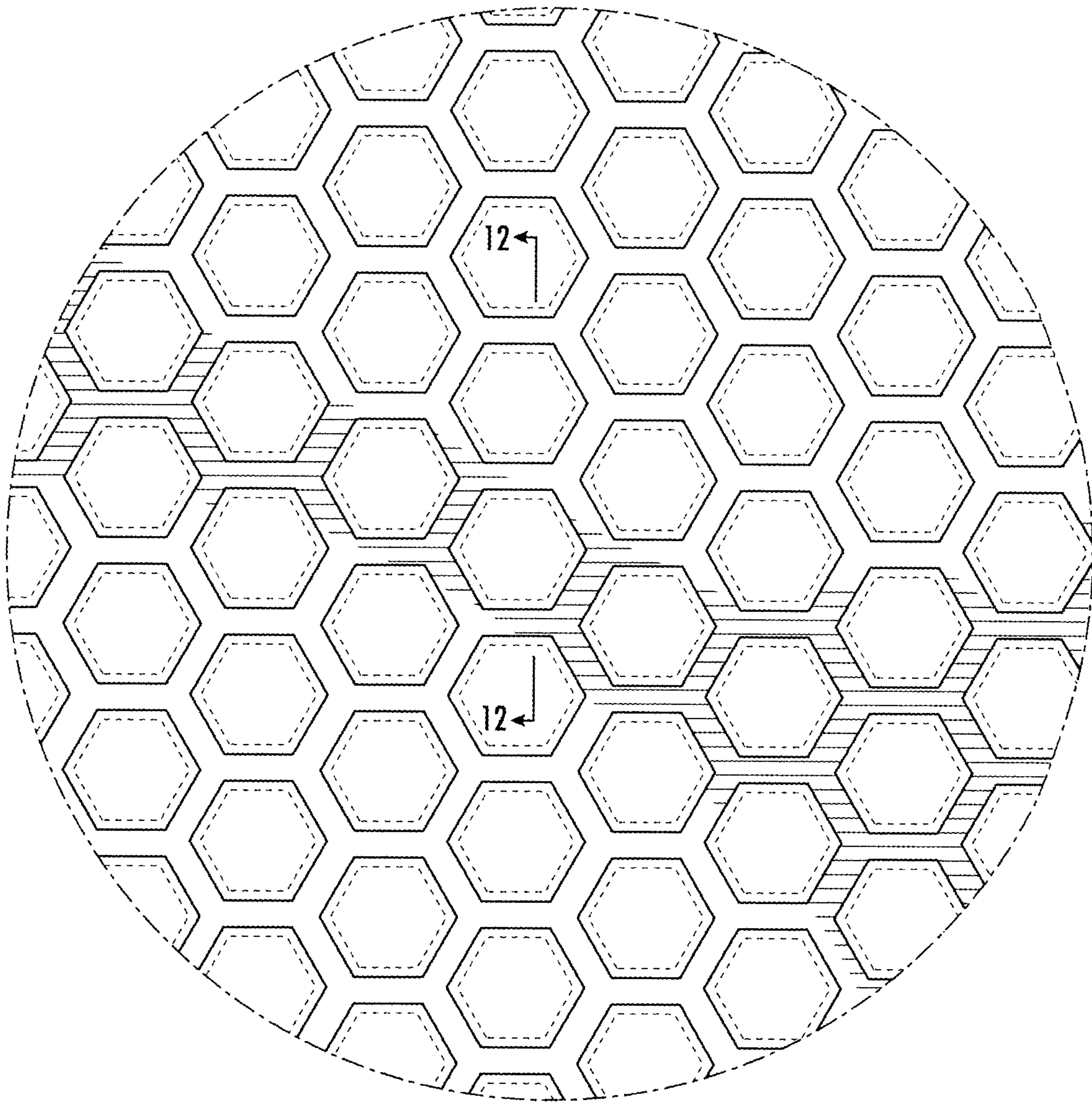


FIG. 11



FIG. 12