



US00D908518S

(12) **United States Design Patent** (10) **Patent No.:** **US D908,518 S**
Clarke (45) **Date of Patent:** **** Jan. 26, 2021**

(54) **VOLTAGE DETECTING MARKING PEN**

(71) Applicant: **Ryan Clarke**, Bilinga (AU)

(72) Inventor: **Ryan Clarke**, Bilinga (AU)

(**) Term: **15 Years**

(21) Appl. No.: **29/687,486**

(22) Filed: **Apr. 12, 2019**

(30) **Foreign Application Priority Data**

Nov. 2, 2018 (AU) 201816570

(51) **LOC (13) Cl.** **10-04**

(52) **U.S. Cl.**

USPC **D10/78**

(58) **Field of Classification Search**

USPC D10/78

CPC G01R 13/02; G01R 13/0281; G01R 27/2682; G01R 31/026; G01R 31/3682; G01R 31/31912; G01R 31/31914; G01R 31/3274; G01R 1/02; G01R 1/025; G01R 1/06788; G01R 1/04; G01R 1/0408; G01R 1/0416; G01R 1/0425; G01R 1/0433; G01R 1/0441; G01R 1/045; G01R 1/0458; G01R 1/0466; G01R 1/0475; G01R 1/0483; G01R 1/0491; G01R 15/16; G01R 19/169; G01R 19/16528; G01R 19/16561; G01R 15/165; G01R 19/15; G01R 19/155; G01R 15/12; G01R 15/125; G01R 19/14; G01R 19/145; G01R 1/15; G01R 1/07; G01R 1/071; G01R 1/072; G01R 1/067; G01R 1/06705; G01R 1/06711; G01R 1/06733; G01R 1/06738; G01R 1/06744; G01R 1/0675; G01R 1/06766; G01R 1/06772; G01R 1/06777; G01R 1/06783; G01R 1/06794; G01R 1/08

See application file for complete search history.

(56) **References Cited**

U.S. PATENT DOCUMENTS

5,294,792	A *	3/1994	Lewis	G06F 3/03546
					250/221
D383,988	S *	9/1997	Luebke	G01R 1/06788
					D10/78
D410,203	S *	5/1999	Beha	G01R 1/06788
					D10/78
D514,963	S *	2/2006	Shionoiri	D10/78
D625,211	S *	10/2010	Chun	D10/78
D637,926	S *	5/2011	Chun	D10/78
D642,943	S *	8/2011	Laurino	D10/78

(Continued)

Primary Examiner — Antoine Duval Davis

(74) *Attorney, Agent, or Firm* — Innovation Capital Law Group, LLP; Vic Lin

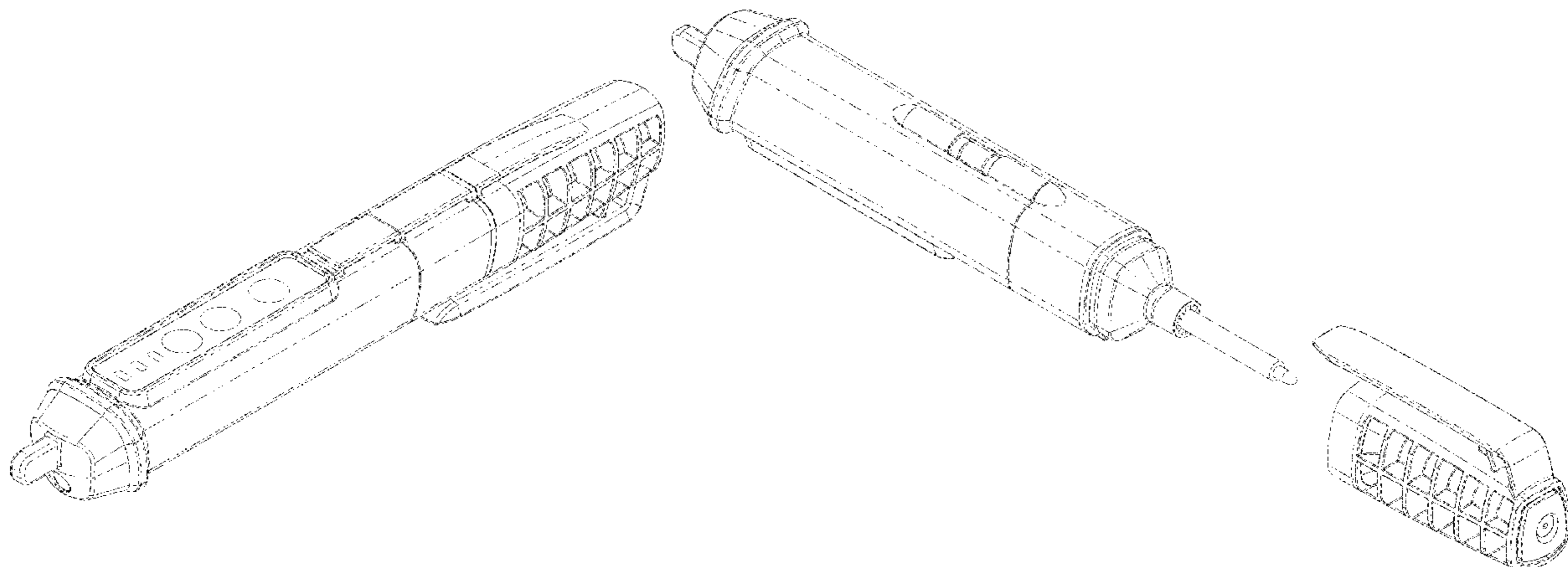
(57) **CLAIM**

The ornamental design for a voltage detecting marking pen, as shown and described.

DESCRIPTION

FIG. 1 is a top plan view of a voltage detecting marking pen; FIG. 2 is a right elevation view thereof; FIG. 3 is a bottom plan view thereof; FIG. 4 is a left elevation view thereof; FIG. 5 is a front elevation view thereof; FIG. 6 is a rear elevation view thereof; FIG. 7 is a top perspective view thereof; FIG. 8 is a bottom perspective view thereof; FIG. 9 is a top plan exploded view thereof; FIG. 10 is a right elevation exploded view thereof; FIG. 11 is a bottom plan exploded view thereof; FIG. 12 is a left elevation exploded view thereof; FIG. 13 is a top perspective exploded view thereof; and, FIG. 14 is a bottom perspective exploded view thereof. The broken line portion of the figures is included to show unclaimed subject matter only and forms no part of the claimed design.

1 Claim, 13 Drawing Sheets



(56)

References Cited

U.S. PATENT DOCUMENTS

D661,605 S *	6/2012	Laurino	D10/78
8,624,617 B2 *	1/2014	Huang	G01R 1/06788
			324/755.11
10,073,142 B2 *	9/2018	Kuhn	G01R 1/06788
D838,196 S *	1/2019	Yang	D10/78

* cited by examiner

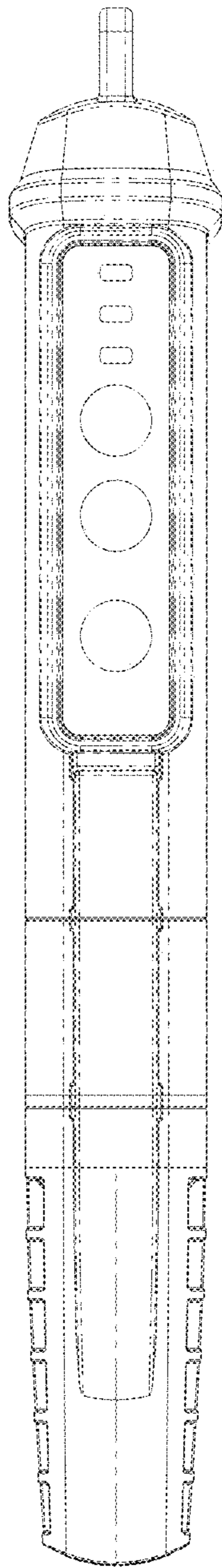


FIG. 1

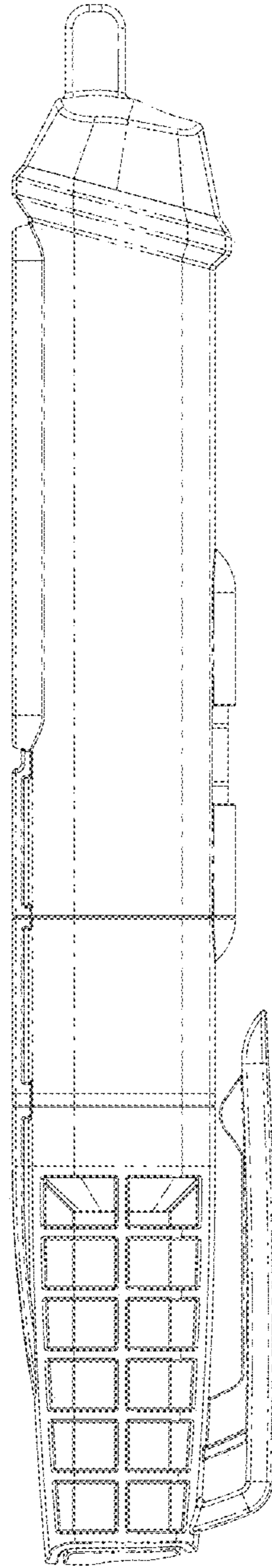


FIG. 2

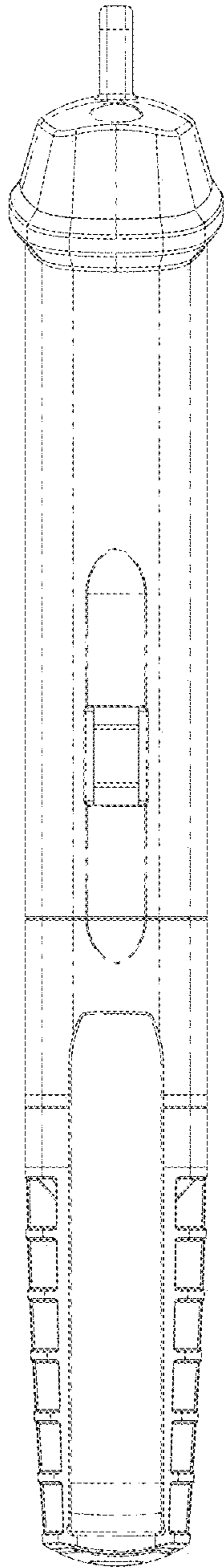


FIG. 3

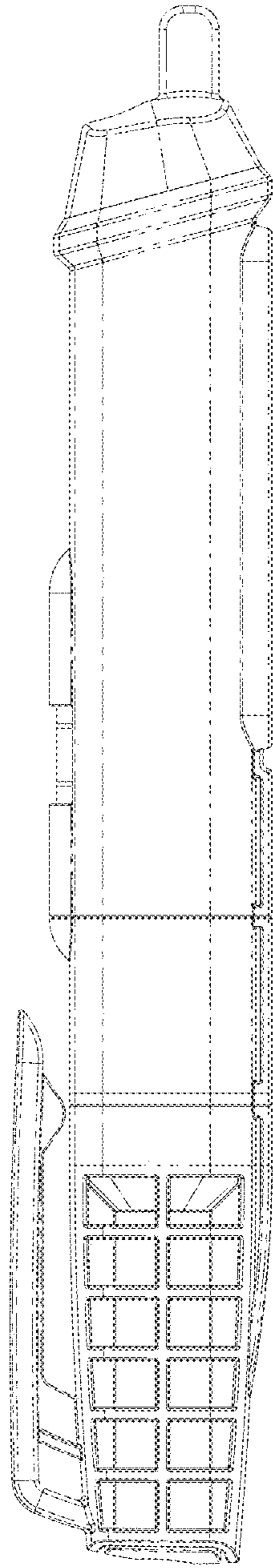


FIG. 4

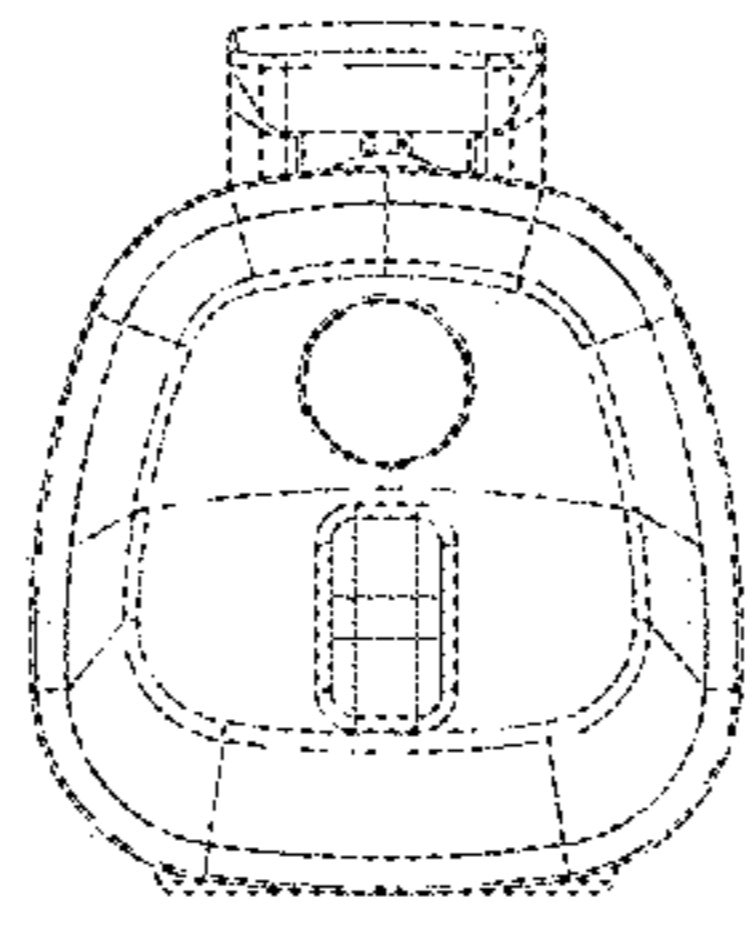


FIG. 5

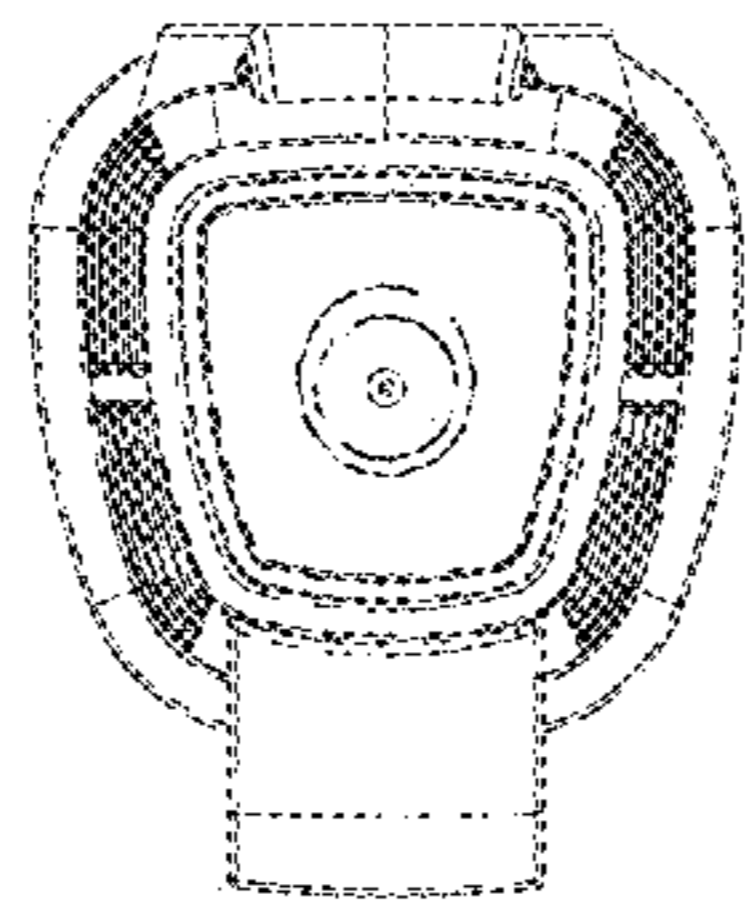


FIG. 6

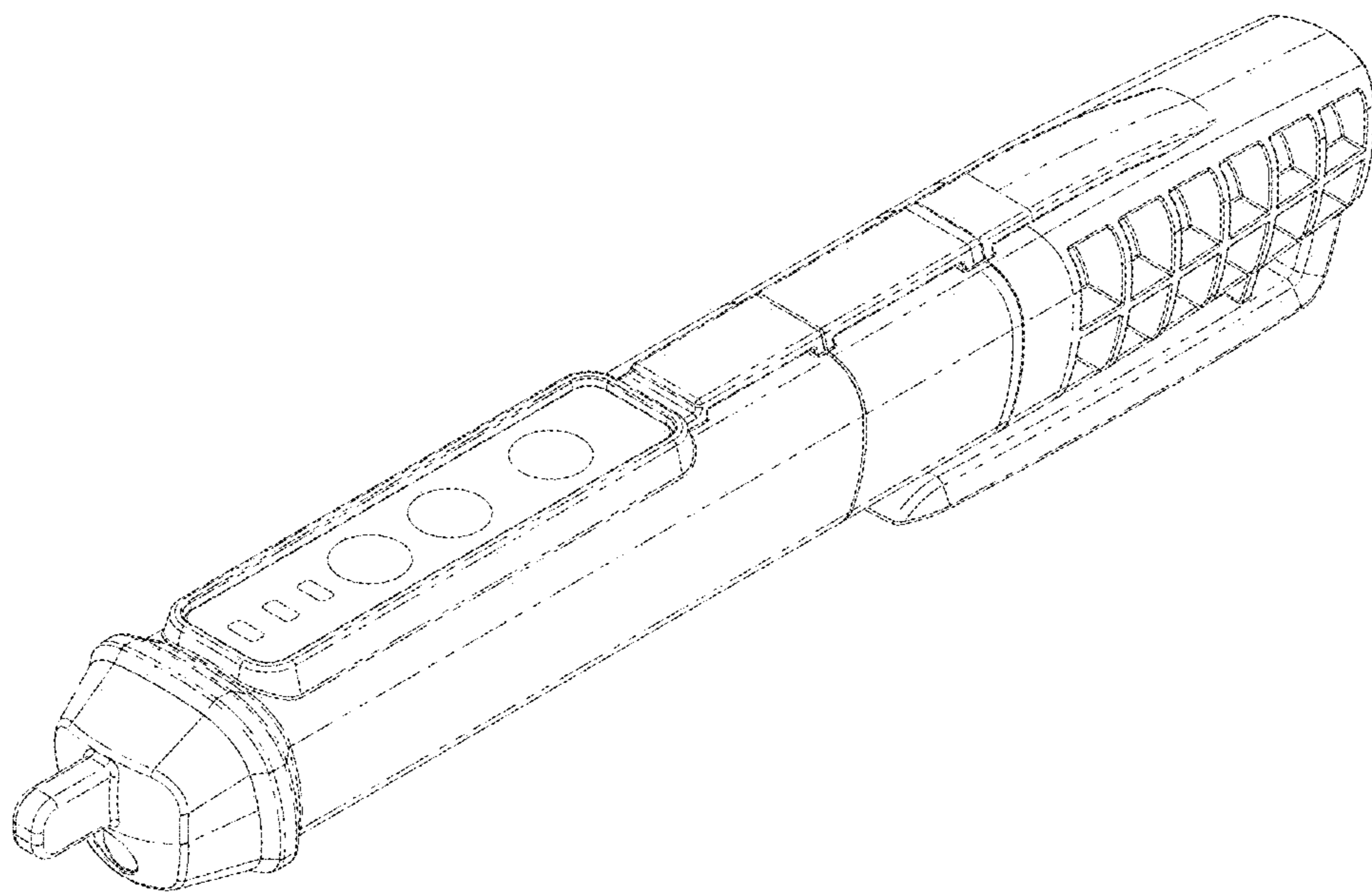


FIG. 7

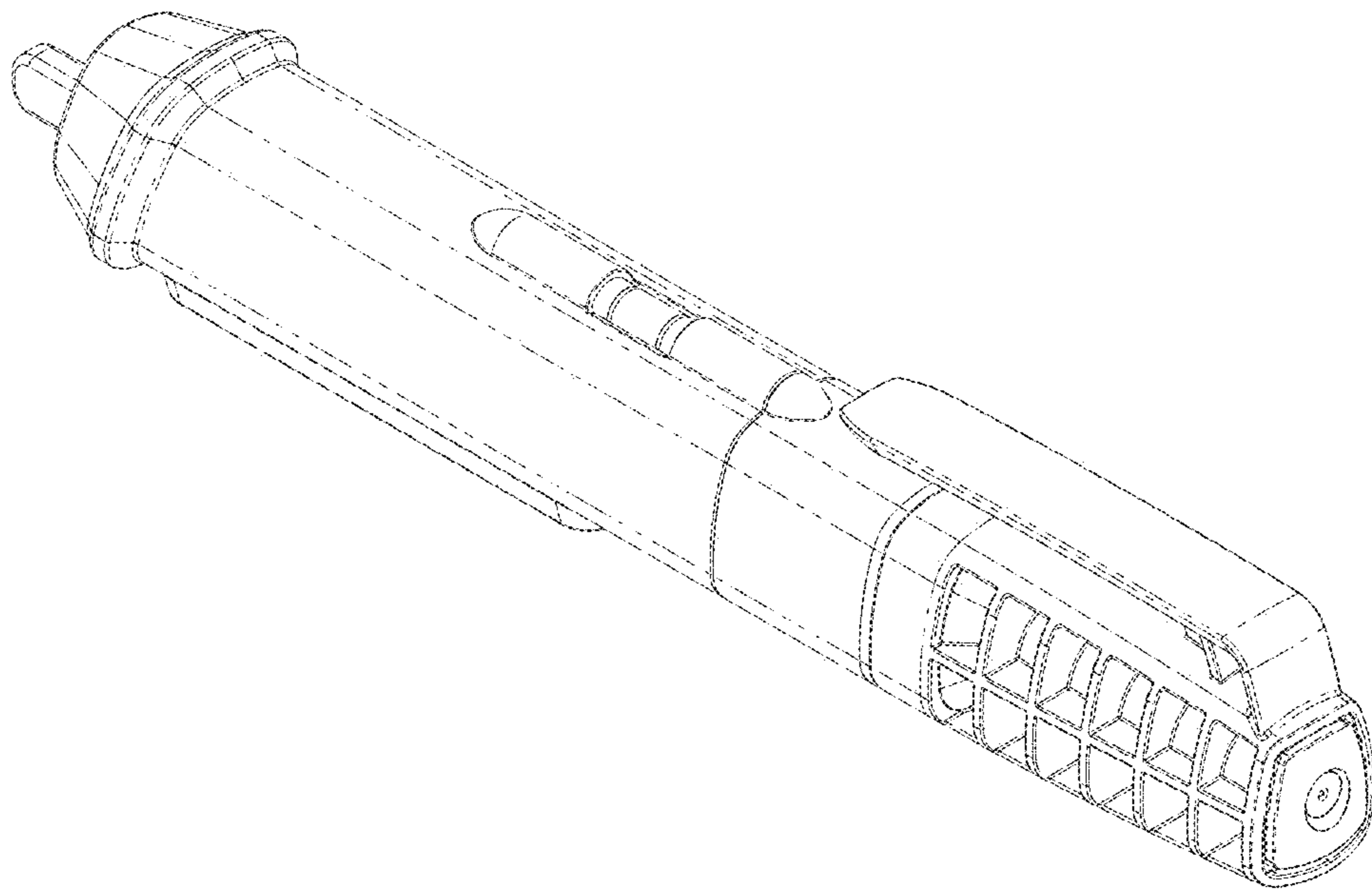


FIG. 8

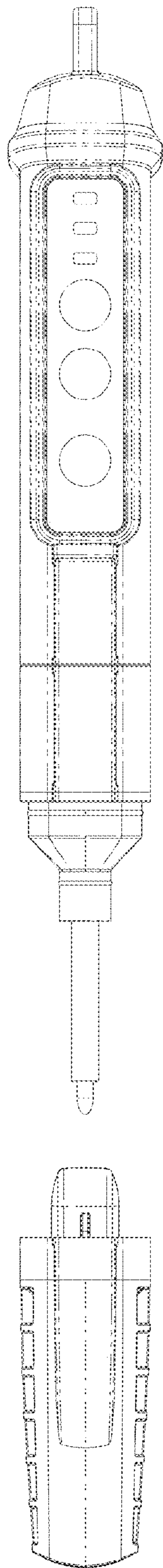


FIG. 9

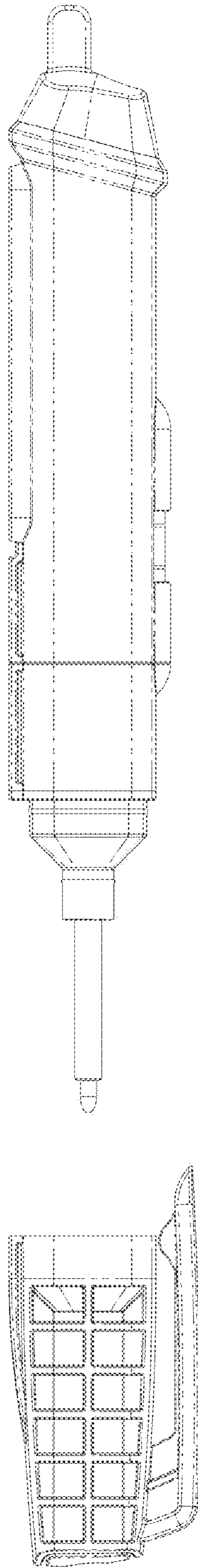


FIG. 10

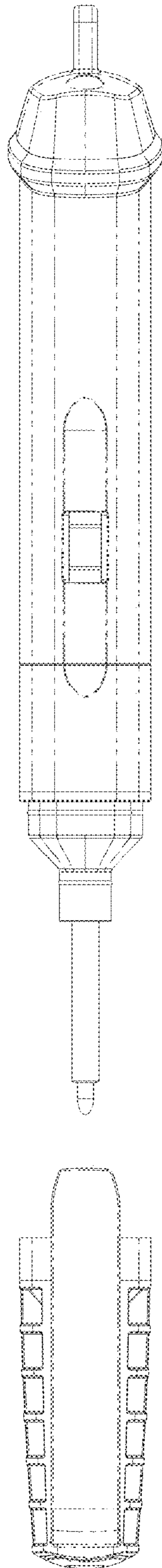


FIG. 11

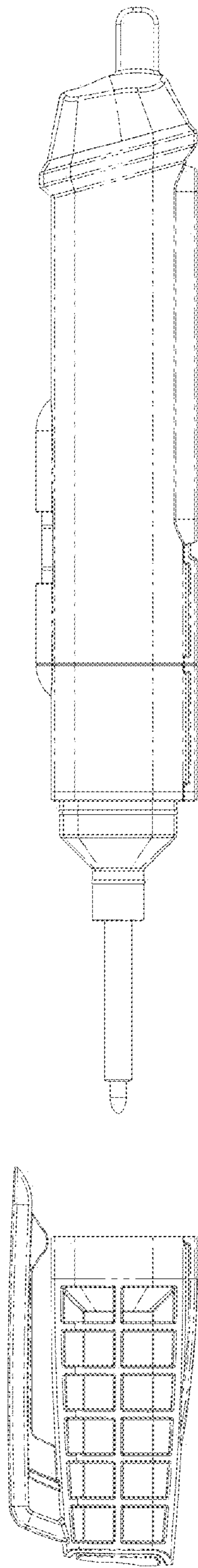


FIG. 12

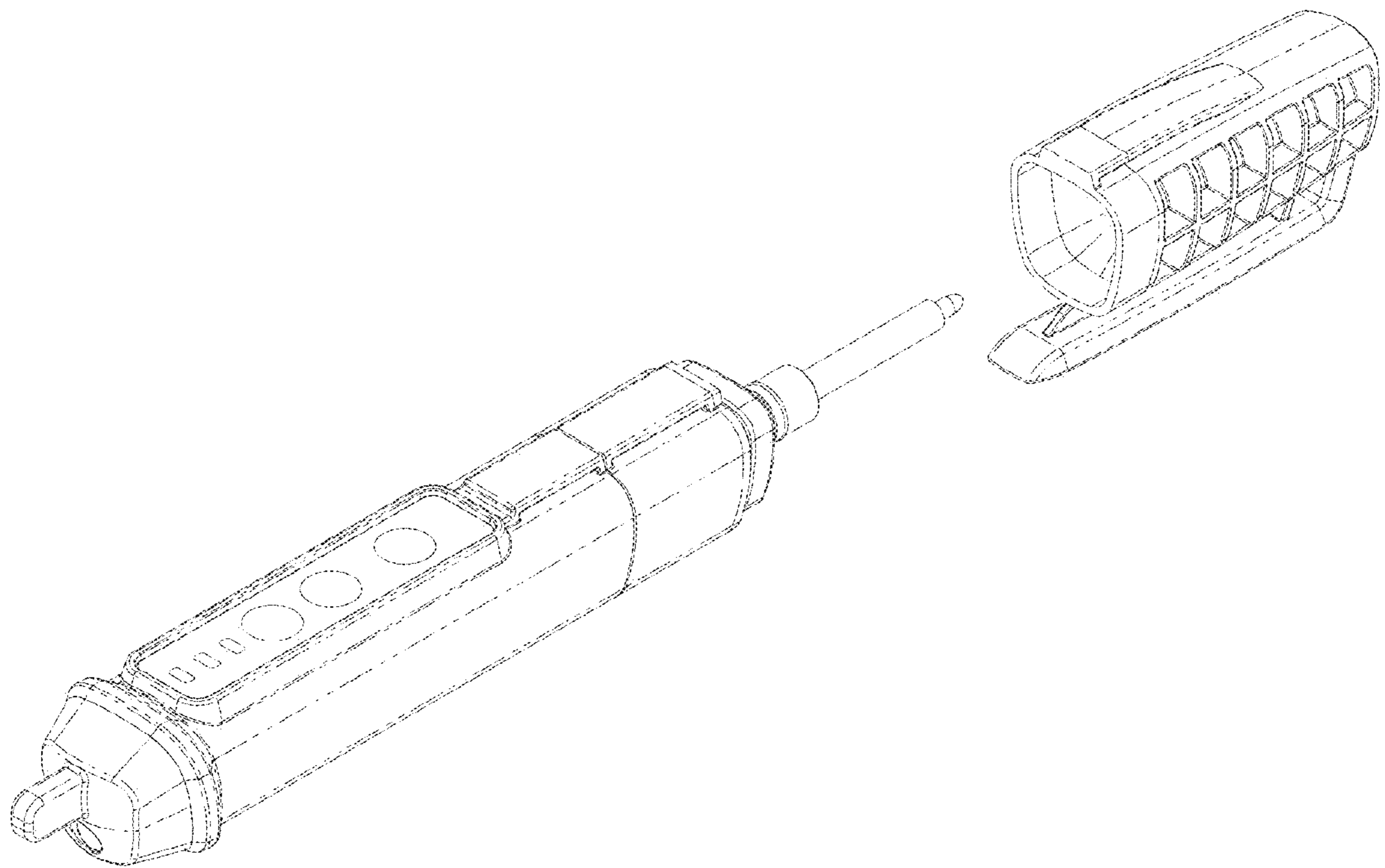


FIG. 13

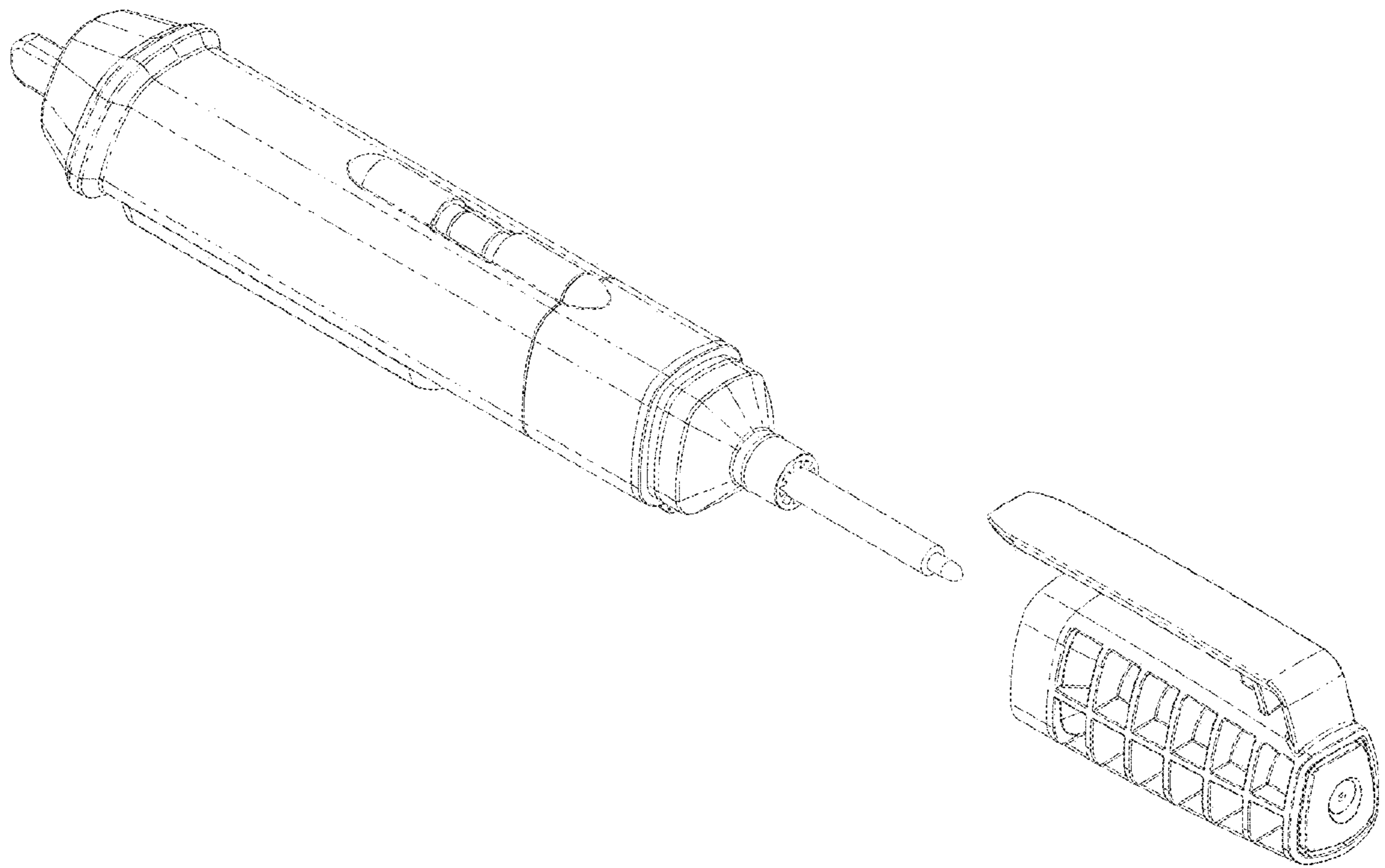


FIG. 14