



US00D908517S

(12) **United States Design Patent**
Rudick

(10) **Patent No.:** **US D908,517 S**
(45) **Date of Patent:** **** Jan. 26, 2021**

(54) **MOUNTABLE LEVEL**

5,799,404 A * 9/1998 Payne F16B 2/06
248/229.13

(71) Applicant: **The RU LLC**, Brooklyn Park, MN
(US)

6,976,805 B2 12/2005 Quenzi et al.
D562,710 S * 2/2008 Lim D10/69

(72) Inventor: **Luke Rudick**, Brooklyn Park, MN (US)

OTHER PUBLICATIONS

(73) Assignee: **The RU LLC**, Brooklyn Park, MN
(US)

Tru Supply; Bon Tool Bolt-on Screed Level; Online product listing;
Retrieved Feb. 7, 2019; <http://www.trusupply.com/bolt-on-screed-level.html>; 2 pp.

(**) Term: **15 Years**

Amazon; CST/berger 06-950 30-Minute Detachable Vial Level for
6 ft. & 13 ft. Fiberglass Grade Rods; Online product listing;
Retrieved Feb. 7, 2019; <https://www.amazon.com/CST-06-950-30-Minute-Detachable-Fiberglass/dp/B00BVWX8SC>; 4 pp.

(21) Appl. No.: **29/688,420**

* cited by examiner

(22) Filed: **Apr. 22, 2019**

(51) **LOC (13) Cl.** **10-04**

(52) **U.S. Cl.**

USPC **D10/69**

(58) **Field of Classification Search**

USPC D10/69, 74; D8/394, 395, 396

CPC ... G01C 9/26; G01C 9/28; G01C 9/34; G01C
9/18; G01C 9/24; G01C 9/32; G01C
9/30; G01C 9/36; G01C 9/00; G01C
9/005; G01C 9/02; G01C 9/04; G01C
9/06; G01C 9/08; G01C 9/10; G01C
9/12; G01C 9/14; G01C 9/16; G01C
9/20; G01C 9/22; G01C 2009/005; G01C
2009/062; G01C 2009/064; G01C
2009/066; G01C 2009/068; G01C
2009/102; G01C 2009/105; G01C
2009/107; G01C 2009/182; G01C
2009/185; G01C 2009/187

See application file for complete search history.

(57) **CLAIM**

The ornamental design for a mountable level, as shown and
described.

DESCRIPTION

FIG. 1 is a top perspective view of a mountable level
showing my new design.

FIG. 2 is a front elevational view of the mountable level.

FIG. 3 is a back elevational view of the mountable level.

FIG. 4 is a top plan view of the mountable level.

FIG. 5 is a bottom plan view of the mountable level.

FIG. 6 is a left side view of the mountable level

FIG. 7 is a right side view of the mountable level; and,

FIG. 8 is a bottom perspective view of the mountable level.

The broken lines in the drawings depict parts of the mount-
able level that form no part of the claimed design.

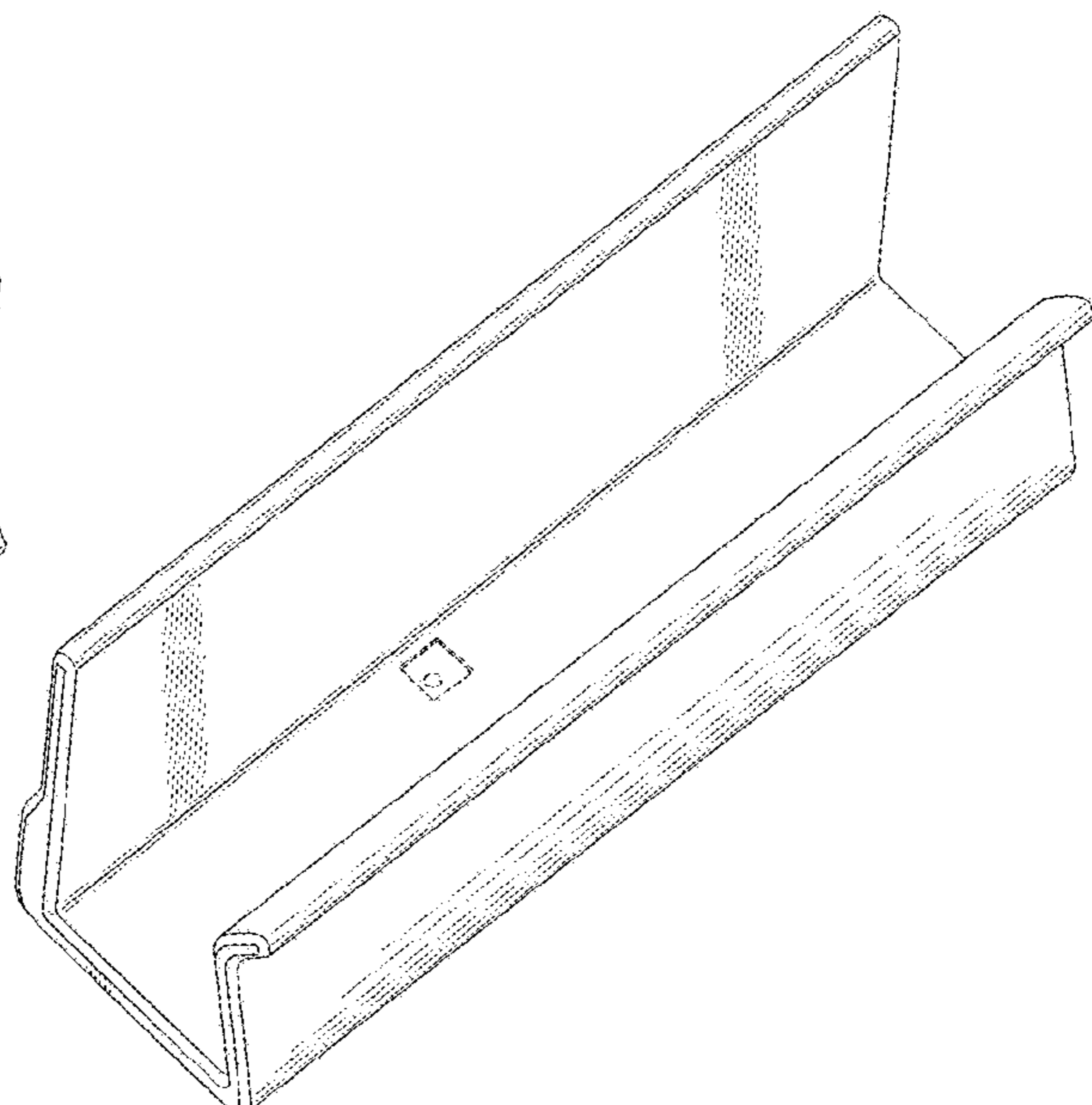
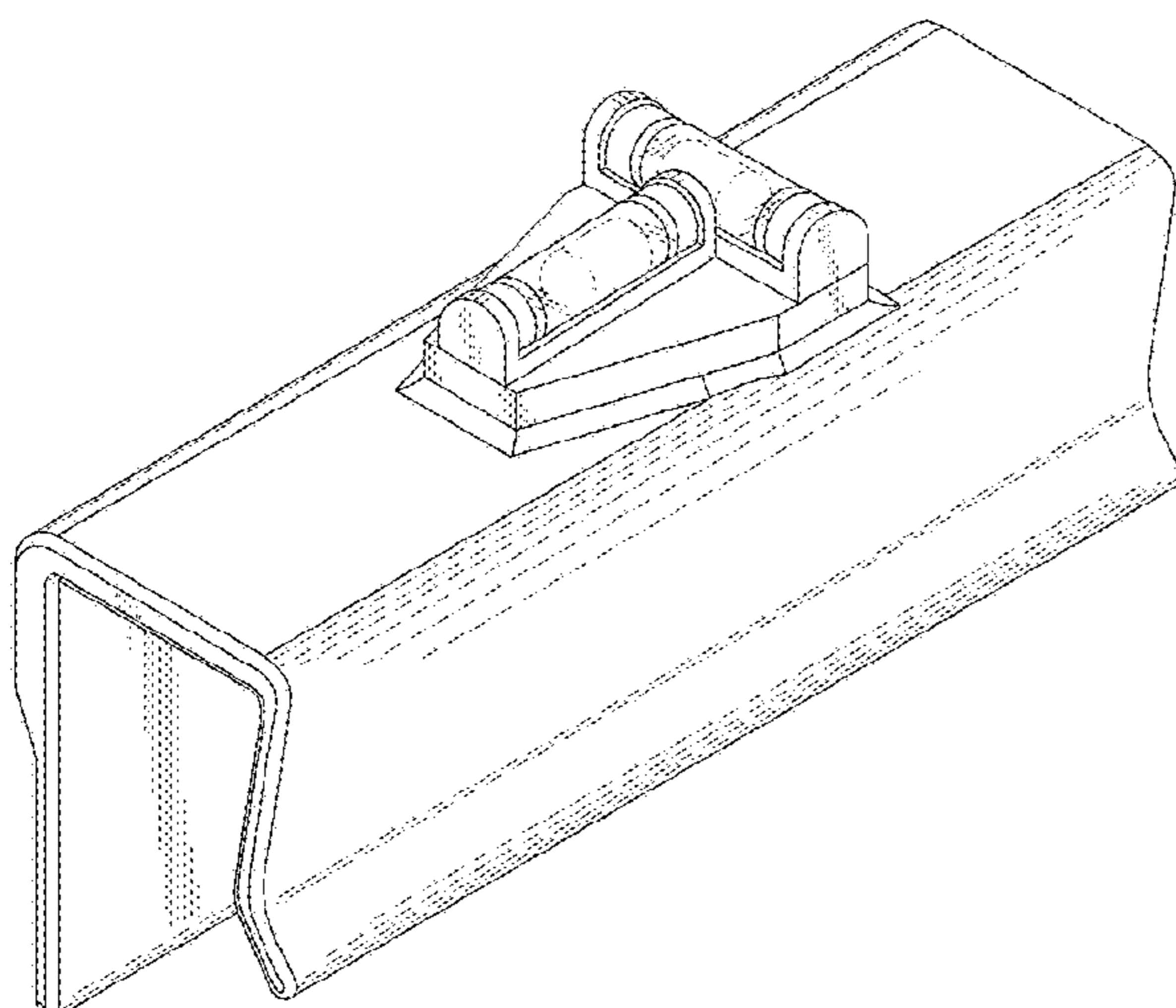
1 Claim, 5 Drawing Sheets

(56) **References Cited**

U.S. PATENT DOCUMENTS

1,489,572 A * 4/1924 Bennowitz G01C 9/24
33/376

D242,231 S * 11/1976 Shaffer D10/69



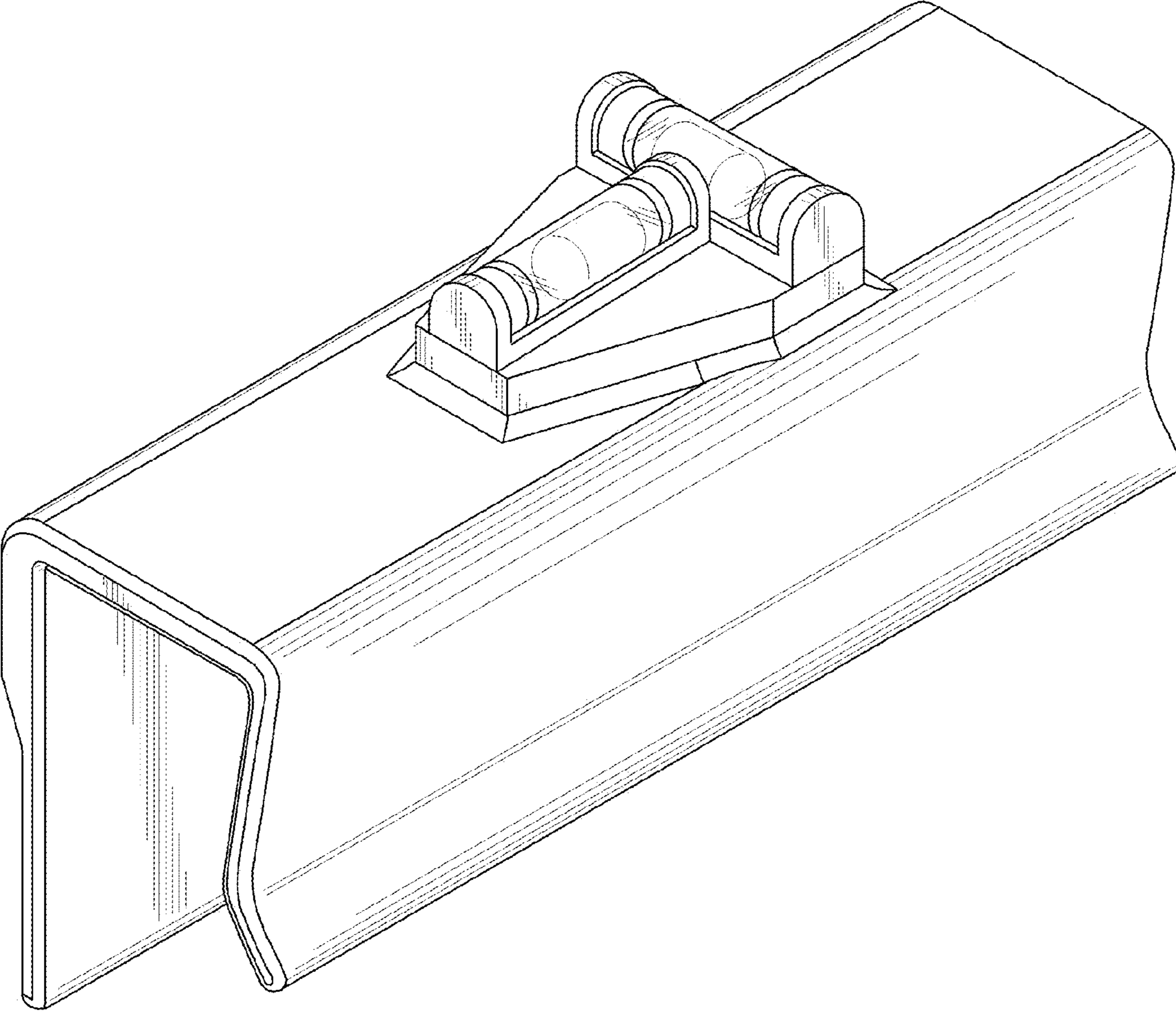


FIG. 1

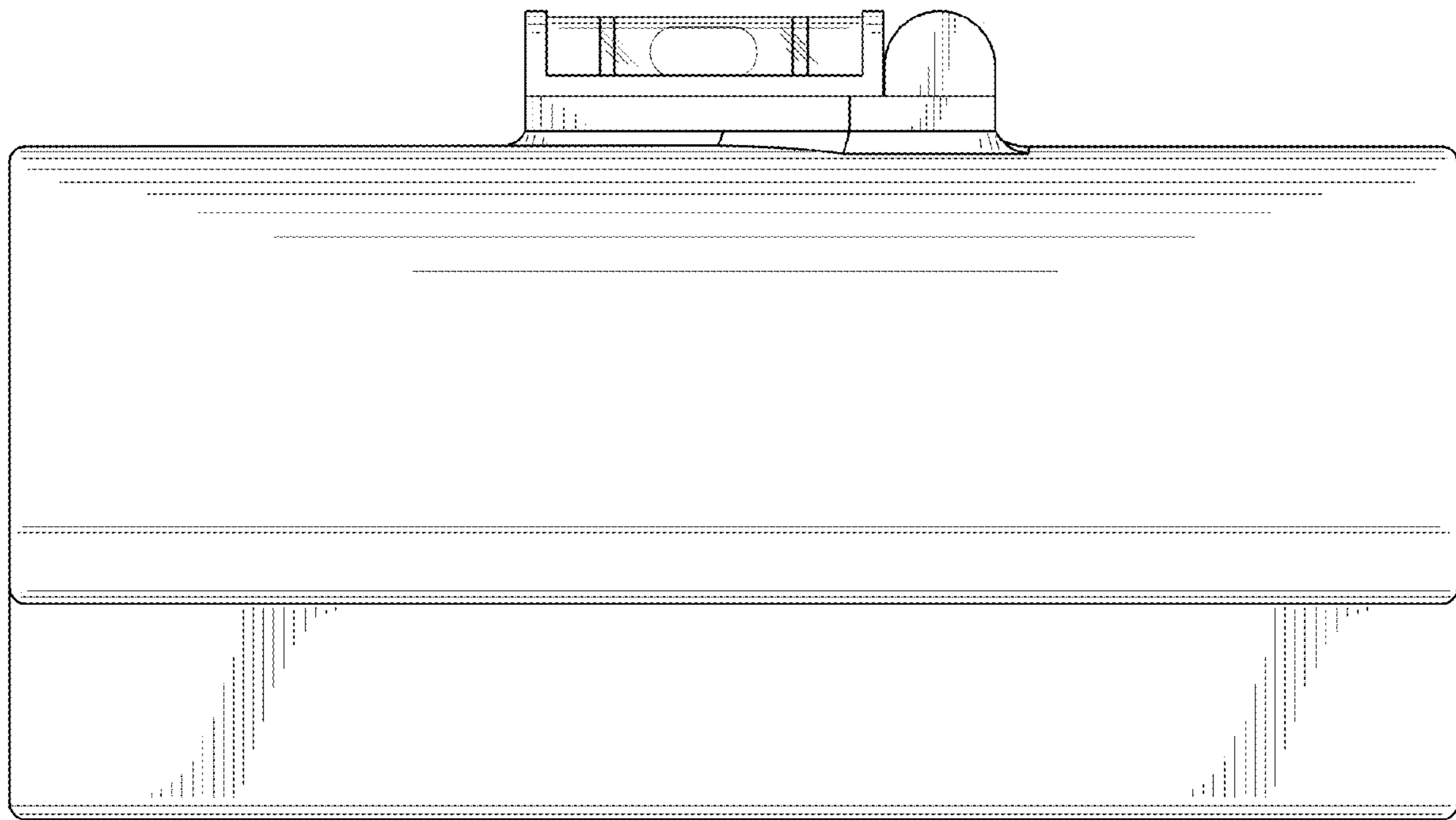


FIG. 2

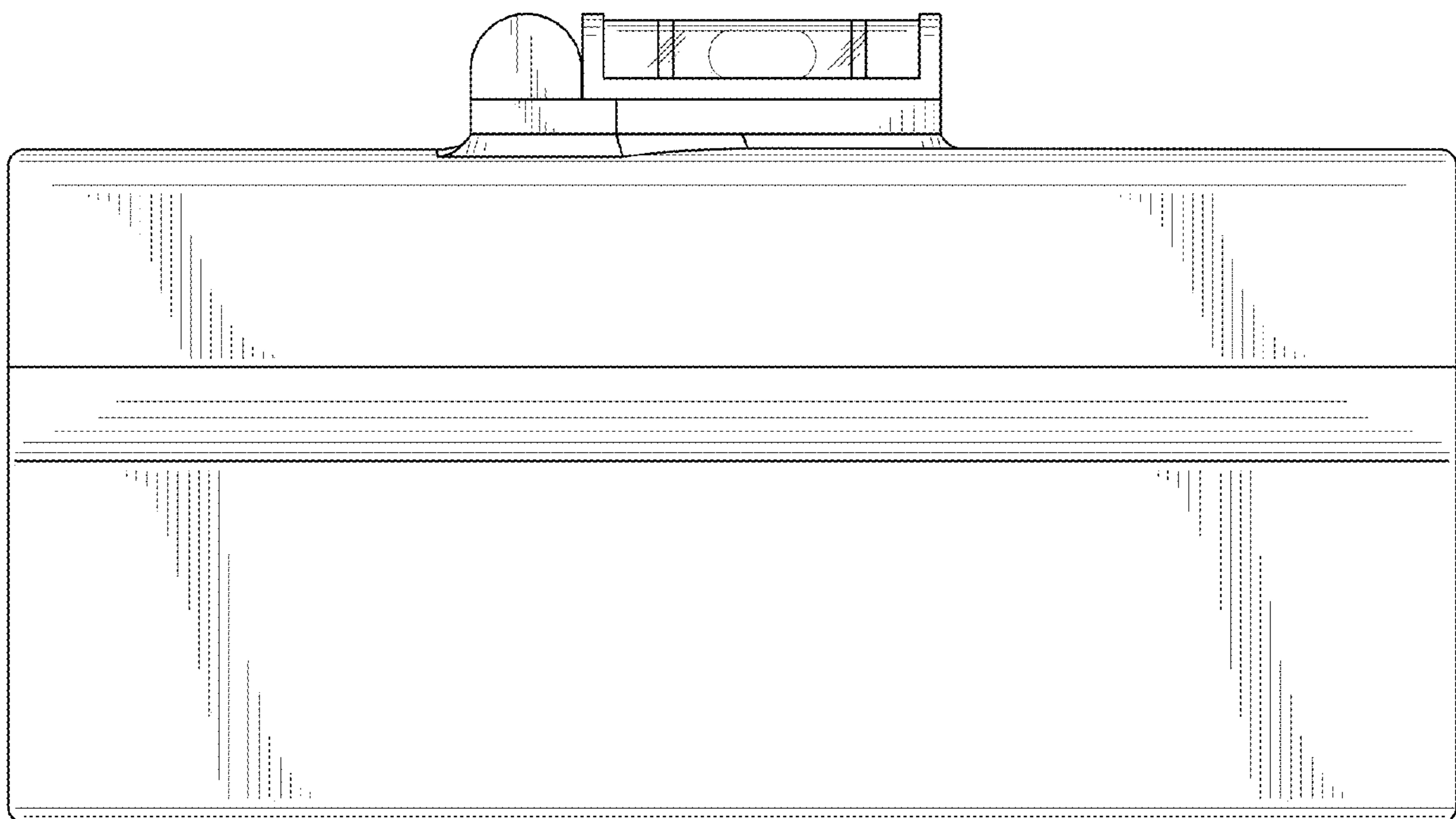


FIG. 3

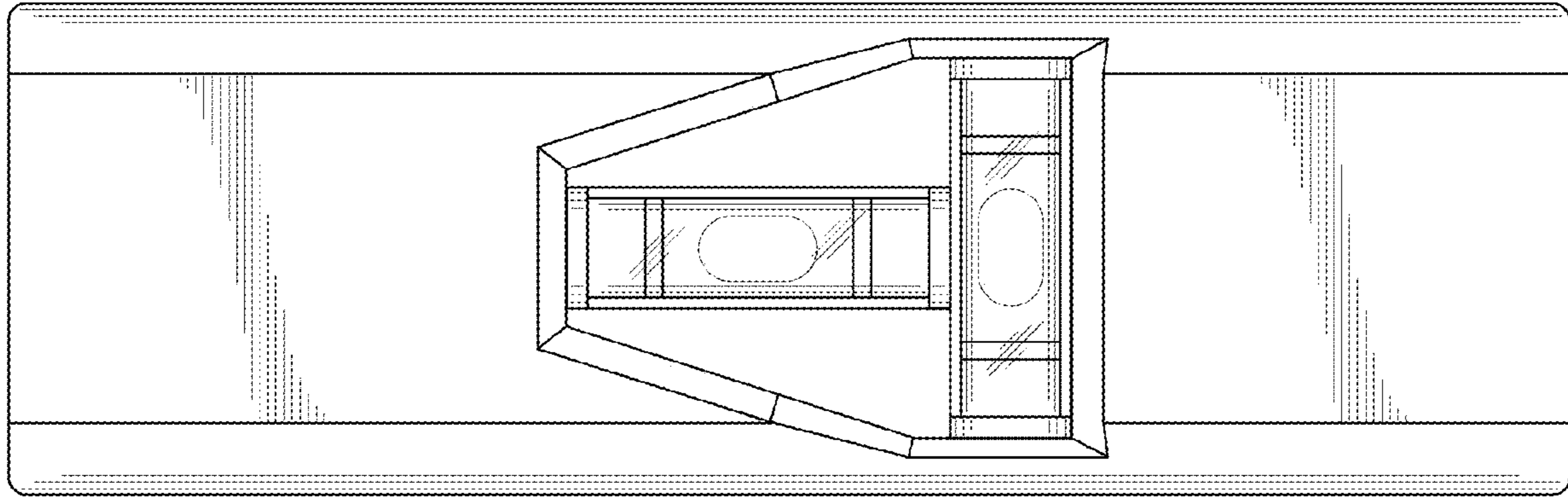


FIG. 4

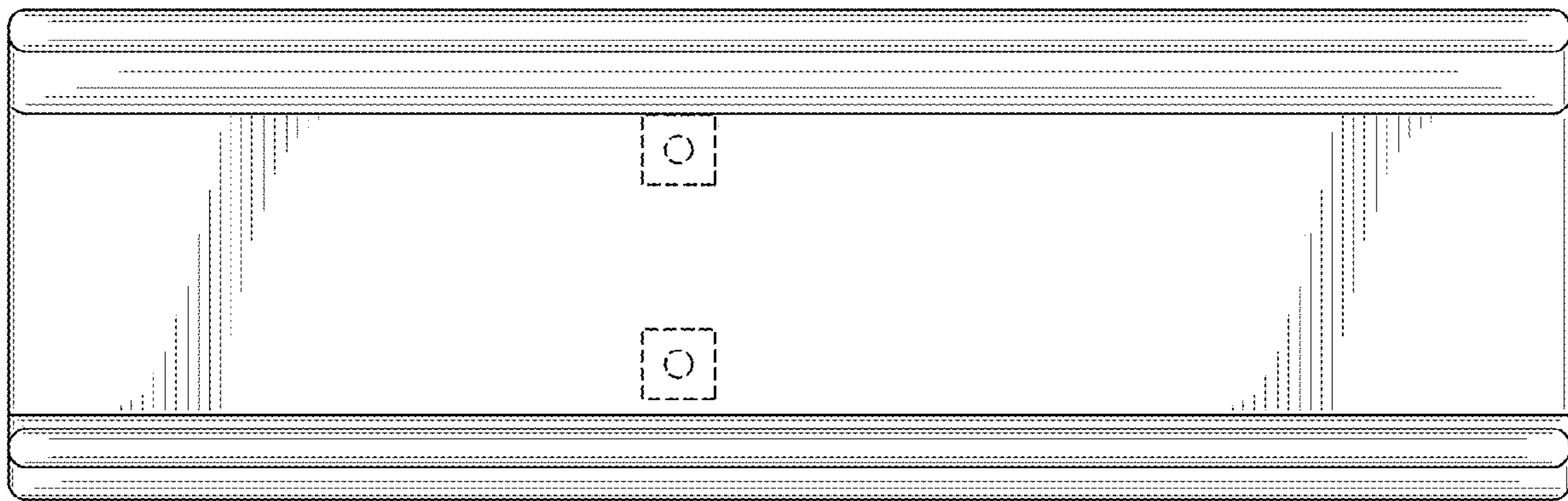


FIG. 5

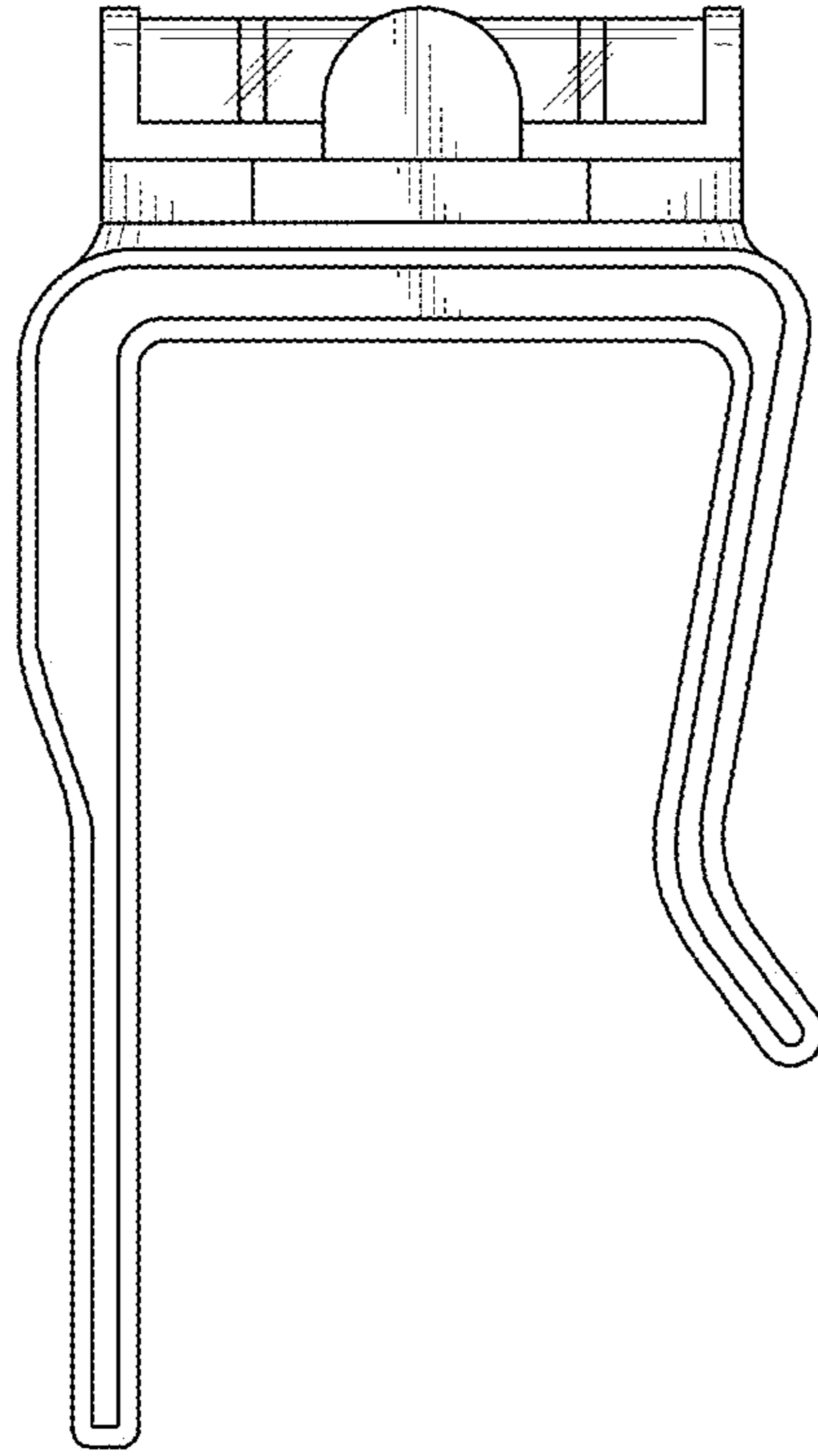


FIG. 6

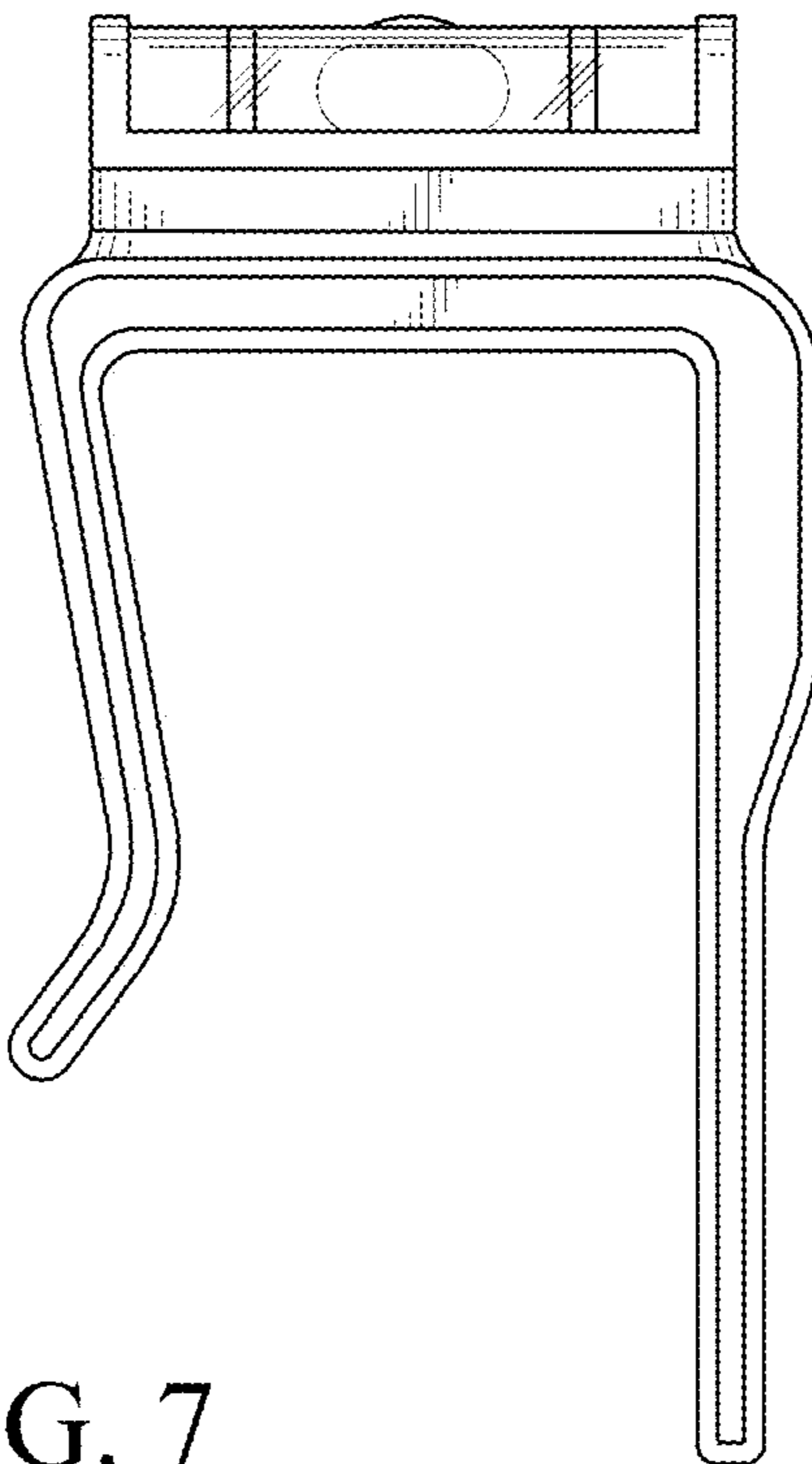


FIG. 7

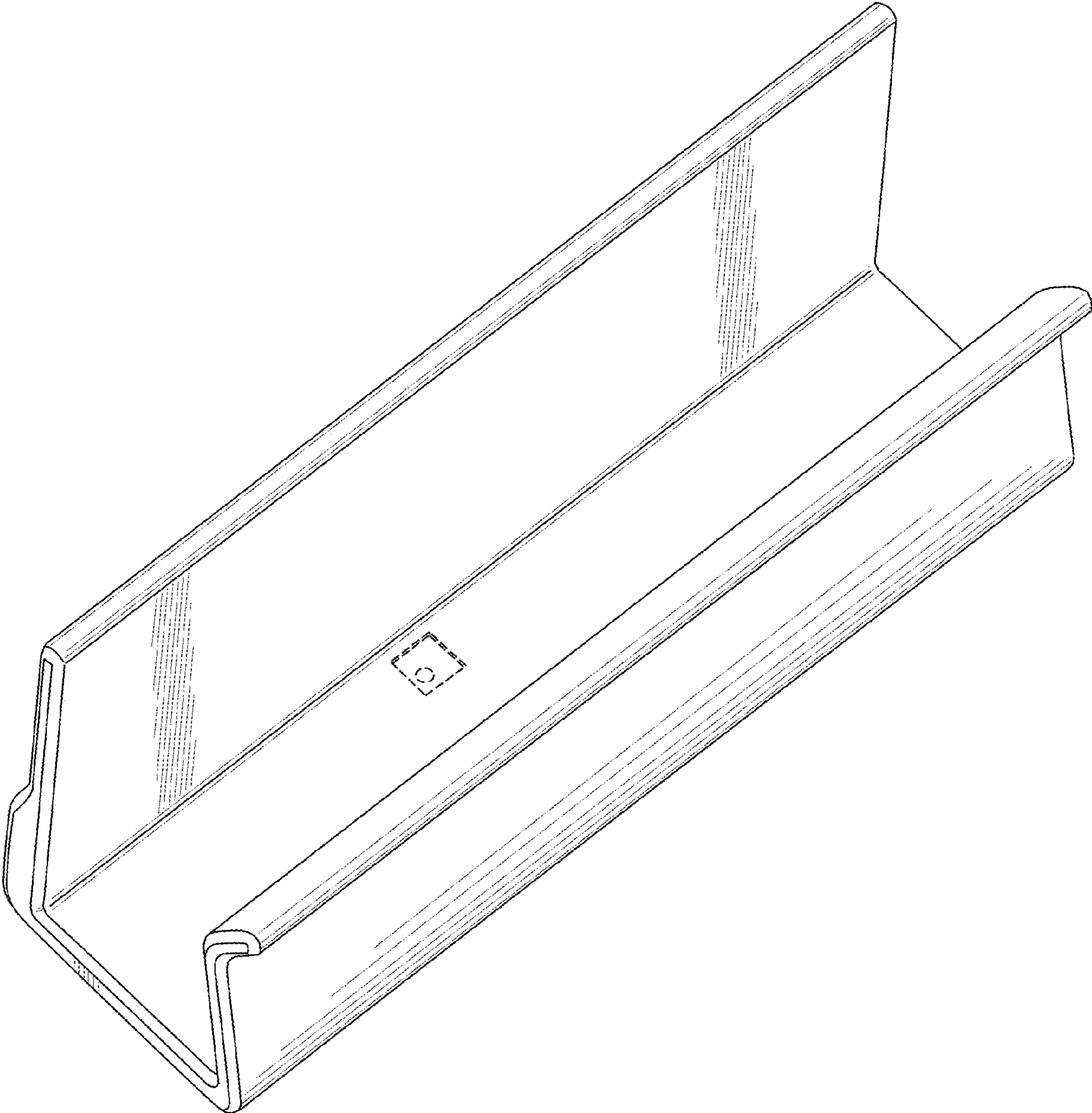


FIG. 8