



US00D908516S

(12) **United States Design Patent** (10) **Patent No.:** **US D908,516 S**
Ursell et al. (45) **Date of Patent:** **** *Jan. 26, 2021**

(54) **ANGLE DIVIDER**

(71) Applicant: **Affinity Tool Works, LLC**, Troy, MI (US)
 (72) Inventors: **Michael Ursell**, Bloomfield Hills, MI (US); **Connor Ursell**, Bloomfield Hills, MI (US); **Rod Bonham**, Decatur, TX (US); **Ken Neilson**, Rochester Hills, MI (US); **Yoyada Beerli**, Moreshet (IL); **Garry Favel**, Kibbitz Kadarim (IL)
 (73) Assignee: **AFFINITY TOOL WORKS, LLC**, Troy, MI (US)

(*) Notice: This patent is subject to a terminal disclaimer.
 (**) Term: **15 Years**

(21) Appl. No.: **29/665,553**
 (22) Filed: **Oct. 4, 2018**
 (51) **LOC (13) Cl.** **10-04**
 (52) **U.S. Cl.**
 USPC **D10/65**
 (58) **Field of Classification Search**
 USPC D10/65
 CPC B27G 5/023; G01B 3/56; G01B 3/503; G01B 3/566; G01B 3/04; G01B 3/563; G01B 3/3004; G01B 3/1084; G01B 3/1082; G01B 3/006; G01B 2003/1092; B23D 59/002; B23D 47/04; B43L 7/02; B43L 7/10; B43L 7/12; G01C 1/10
 See application file for complete search history.

(56) **References Cited**

U.S. PATENT DOCUMENTS
 6,604,294 B1* 8/2003 Farley B25H 7/00 33/27.03
 8,607,465 B1* 12/2013 Edwards G01B 3/56 33/471

* cited by examiner
Primary Examiner — Antoine Duval Davis
 (74) *Attorney, Agent, or Firm* — William H. Honaker; Dickinson Wright PLLC

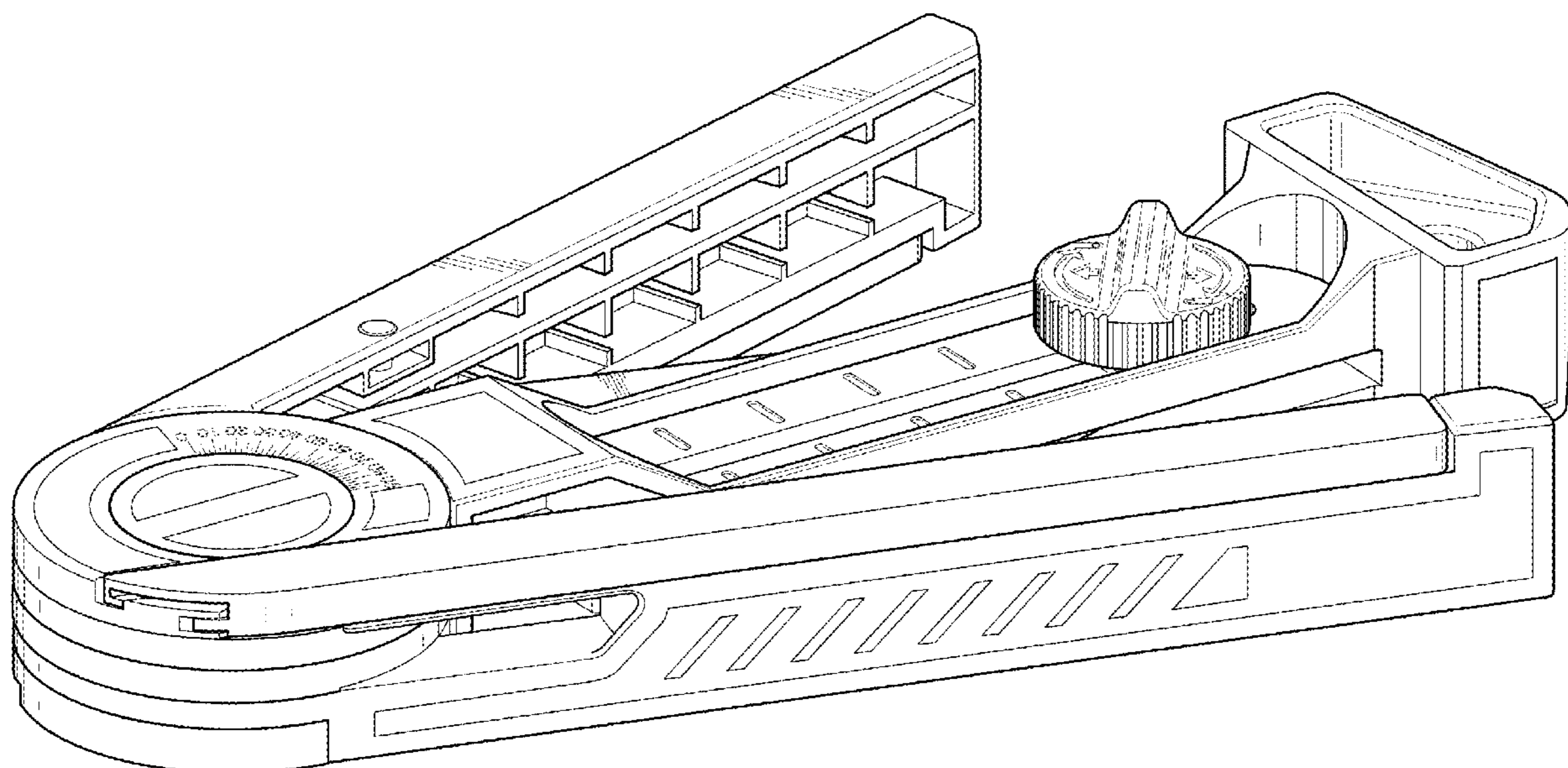
(57) **CLAIM**

The ornamental design for an angle divider, as shown and described.

DESCRIPTION

FIG. 1 is a perspective view of the angle divider showing our new design.
 FIG. 2 is a top view thereof.
 FIG. 3 is a bottom view thereof.
 FIG. 4 is a left side view thereof.
 FIG. 5 is a right side view thereof.
 FIG. 6 is a front end view thereof; and,
 FIG. 7 is a back end thereof.
 The broken lines shown in the drawings are for the purpose of illustrating portions of the angle divider, which form no part of the claimed design.

1 Claim, 5 Drawing Sheets



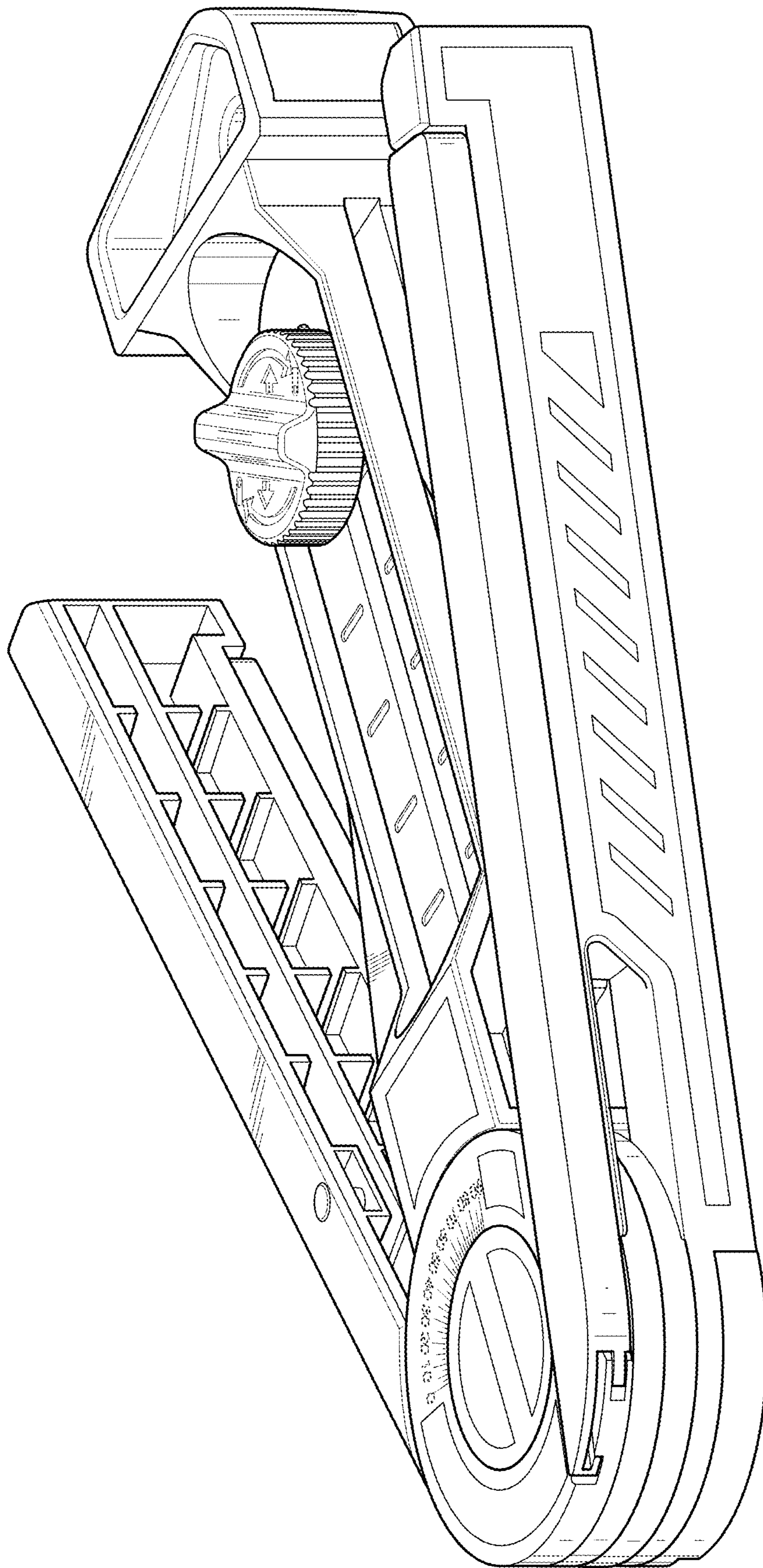


FIG. 1

FIG. 2

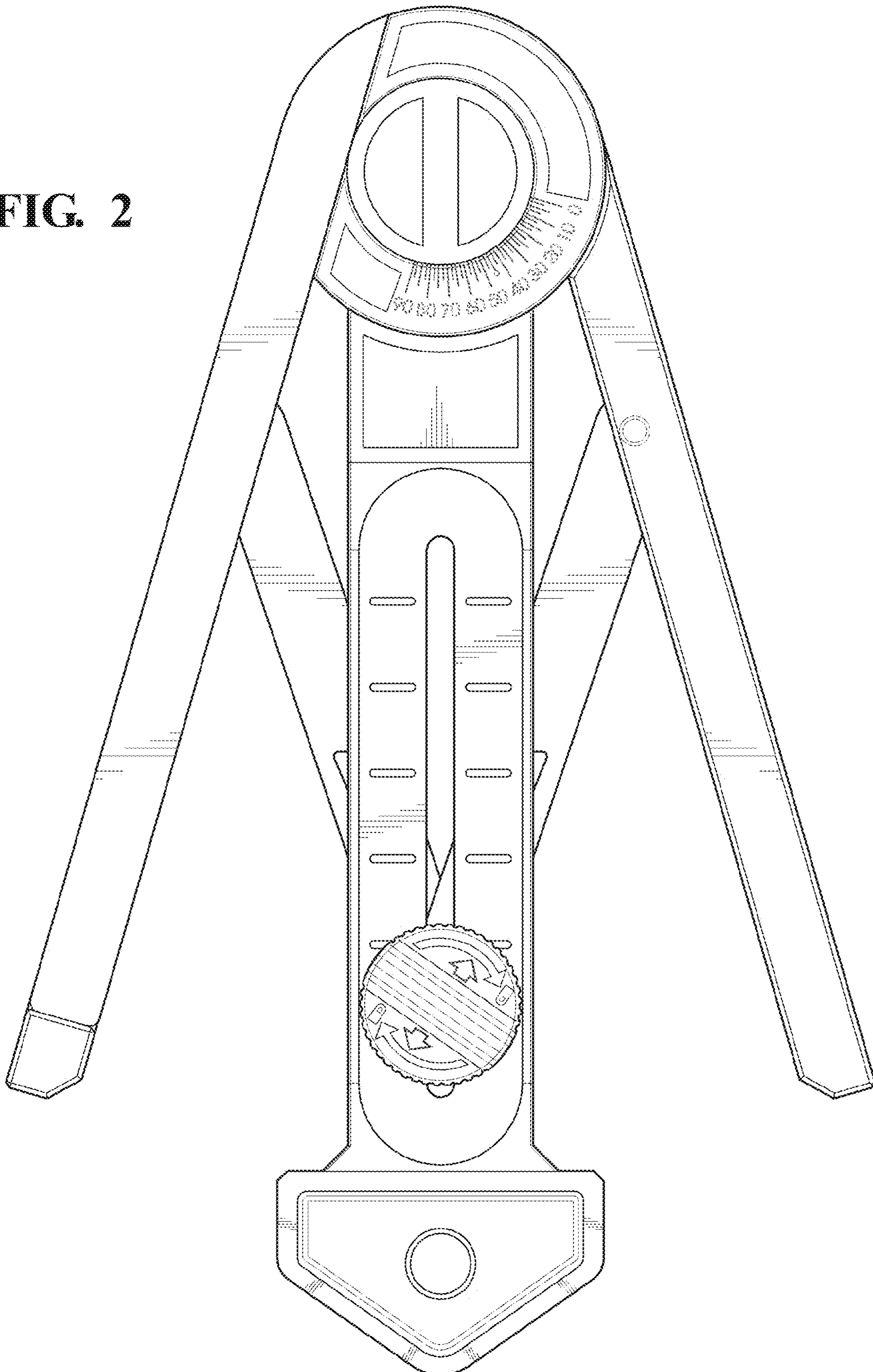
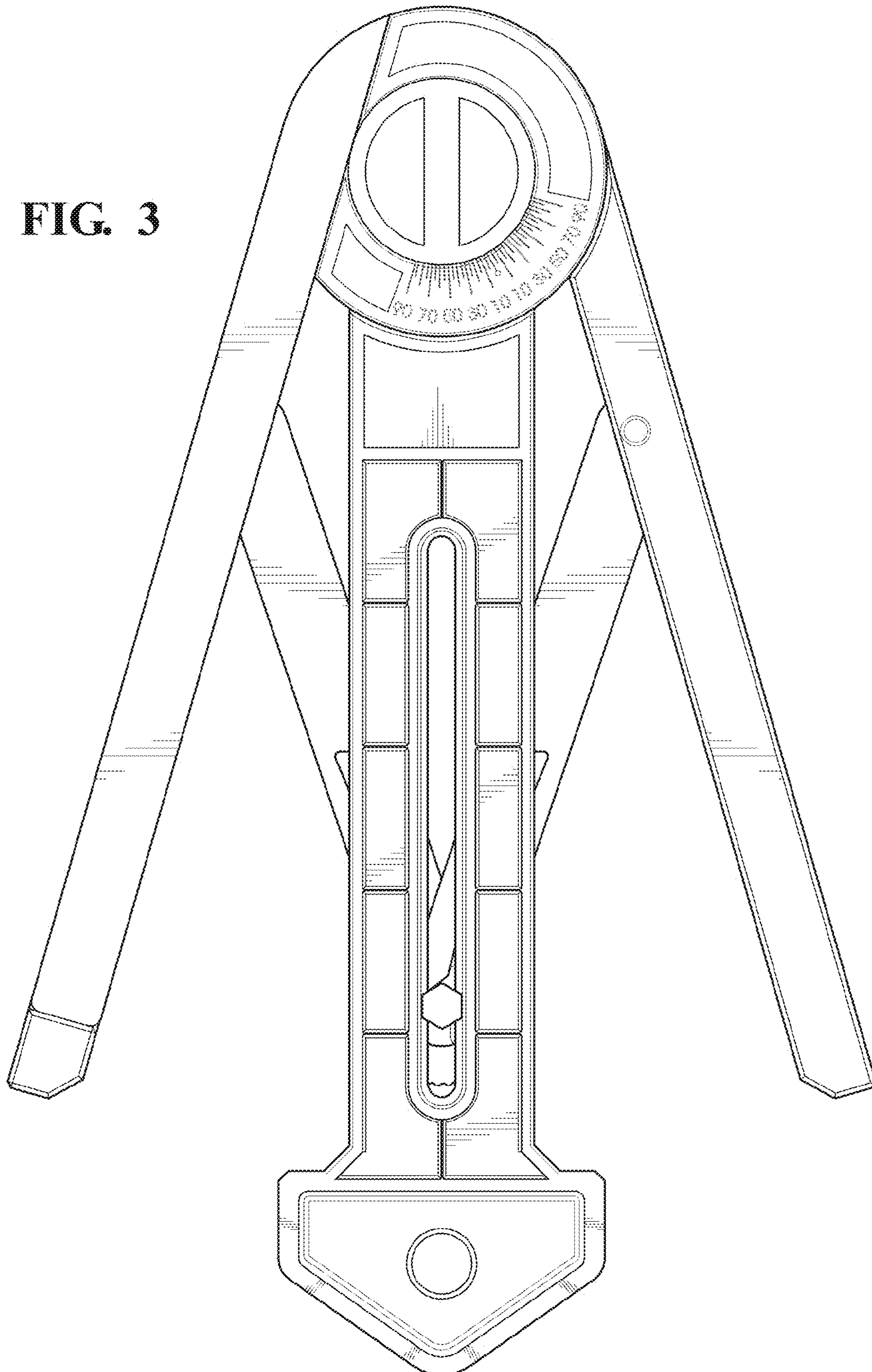


FIG. 3



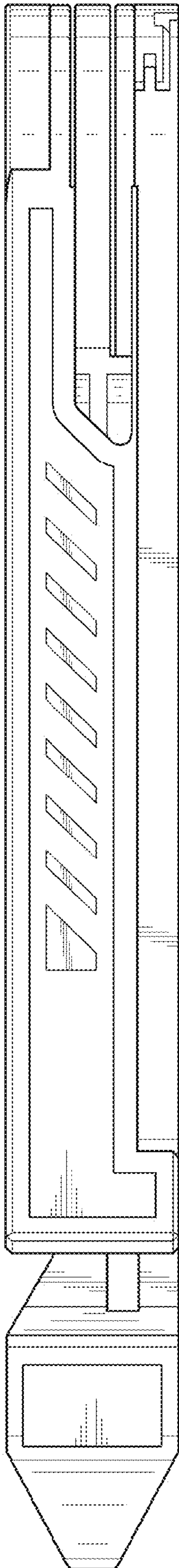


FIG. 4

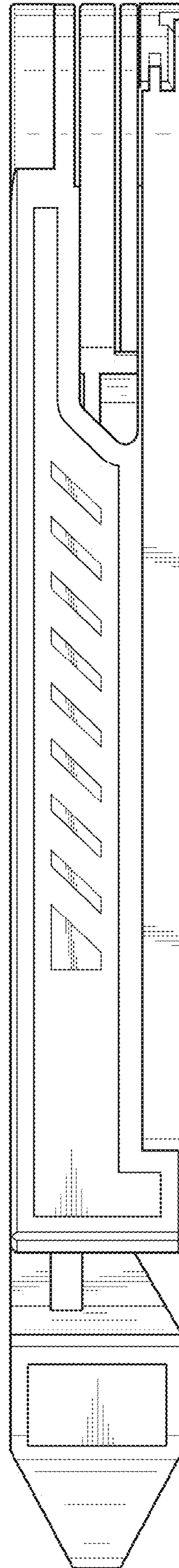


FIG. 5

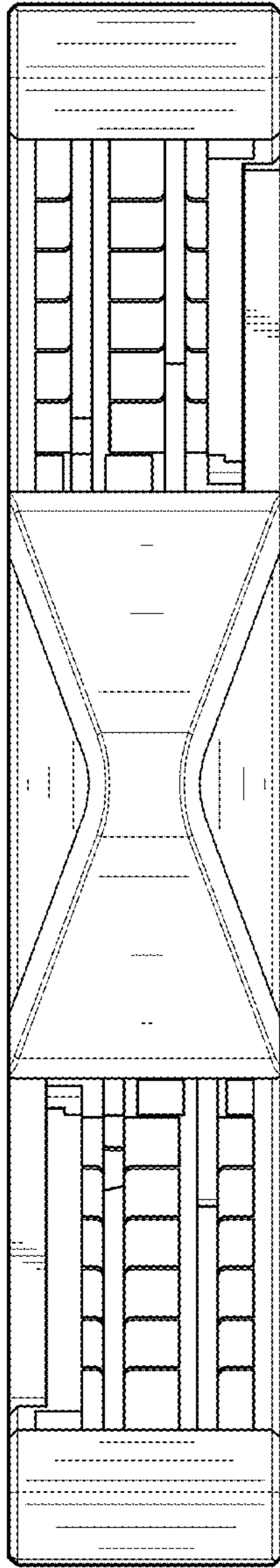


FIG. 6

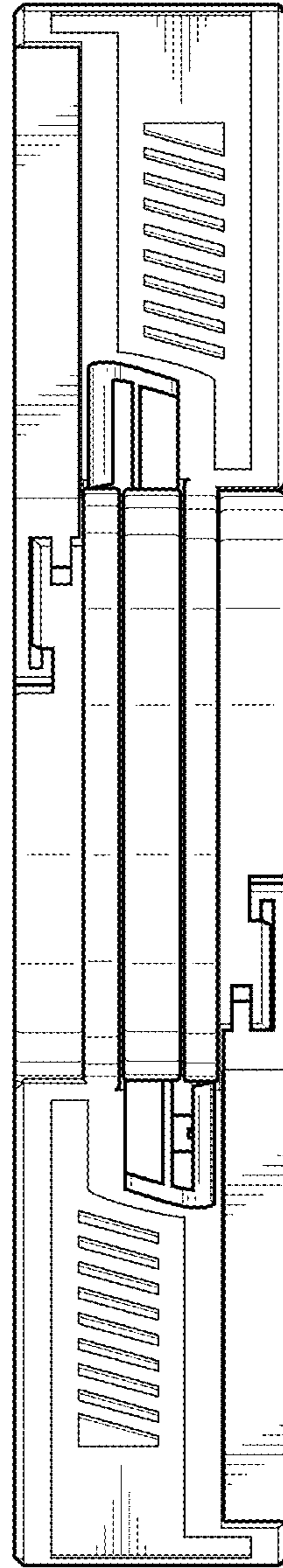


FIG. 7