



US00D908514S

(12) **United States Design Patent**
Lang

(10) **Patent No.:** **US D908,514 S**

(45) **Date of Patent:** **** Jan. 26, 2021**

(54) **MEASURING CUP SET**

(71) Applicant: **SNACKING MEDIA**, Paris (FR)

(72) Inventor: **Thomas Lang**, Paris (FR)

(**) Term: **15 Years**

(21) Appl. No.: **35/507,830**

(22) Filed: **Jul. 31, 2019**

(80) **Hague Agreement Data**

Int. Filing Date: **Jul. 31, 2019**

Int. Reg. No.: **DM/204113**

Int. Reg. Date: **Jul. 31, 2019**

Int. Reg. Pub. Date: **Nov. 22, 2019**

(51) **LOC (13) Cl.** **10-04**

(52) **U.S. Cl.**
USPC **D10/46.3**

(58) **Field of Classification Search**
USPC D7/700, 525, 319, 527; D10/46.2
CPC E04F 11/00; G01F 19/00
See application file for complete search history.

(56) **References Cited**

U.S. PATENT DOCUMENTS

D330,863 S * 11/1992 Green D10/46.2
D450,605 S * 11/2001 Wright D10/46.3

D582,798 S * 12/2008 Mantilla D10/46.3
D621,729 S * 8/2010 Blust D10/46.3
D624,836 S * 10/2010 Blust D10/46.3
D692,324 S * 10/2013 Wong D10/46.3
D854,949 S * 7/2019 Klipshtein D10/46.3

* cited by examiner

Primary Examiner — George D. Kirschbaum

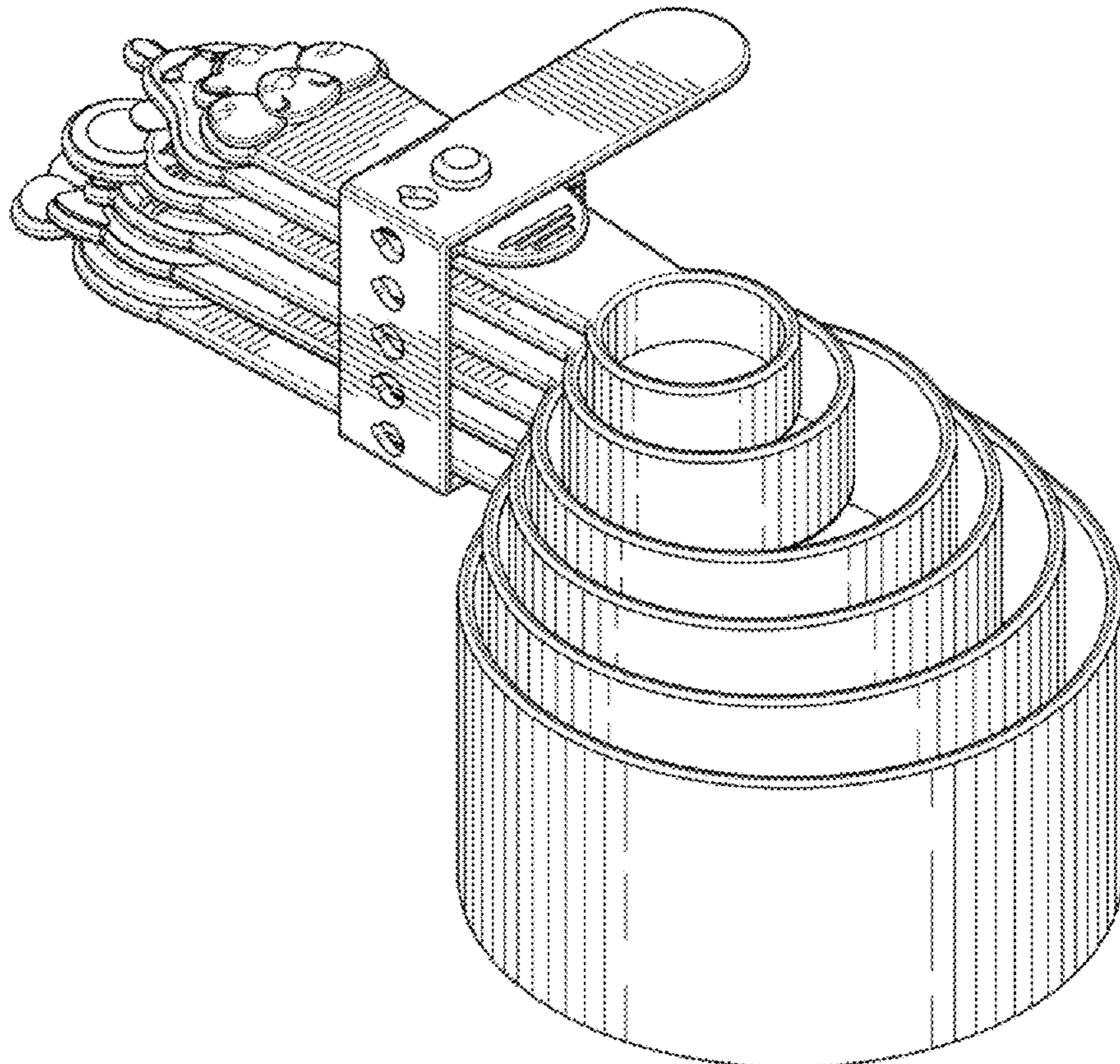
(57) **CLAIM**

The ornamental design for measuring cup set, as shown and described.

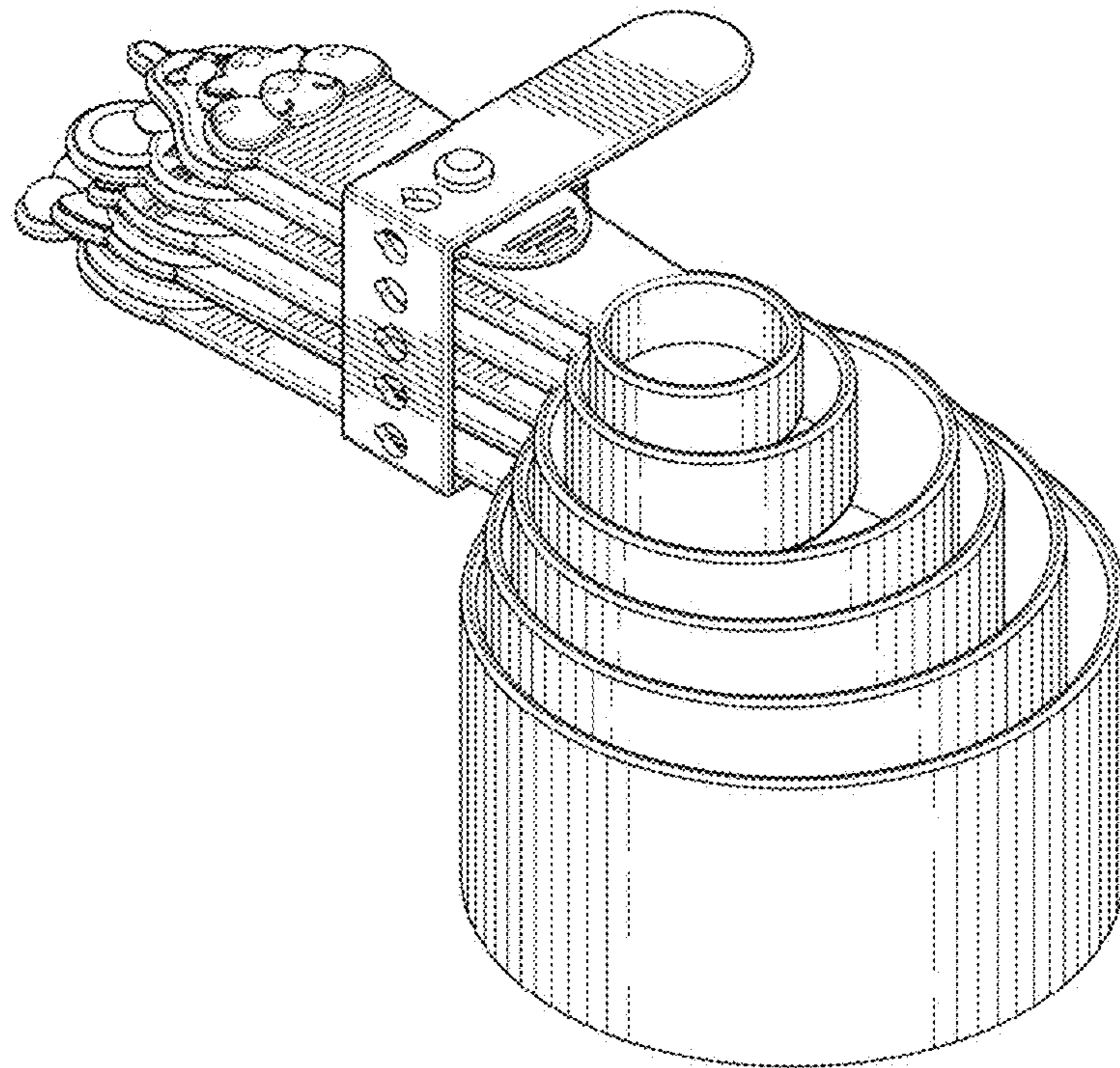
DESCRIPTION

- 1. Measuring cup set
- 1.1 : Perspective
- 1.2 : Front
- 1.3 : Back
- 1.4 : Right
- 1.5 : Left
- 1.6 : Top
- 1.7 : Bottom
- 1.8 : Exploded

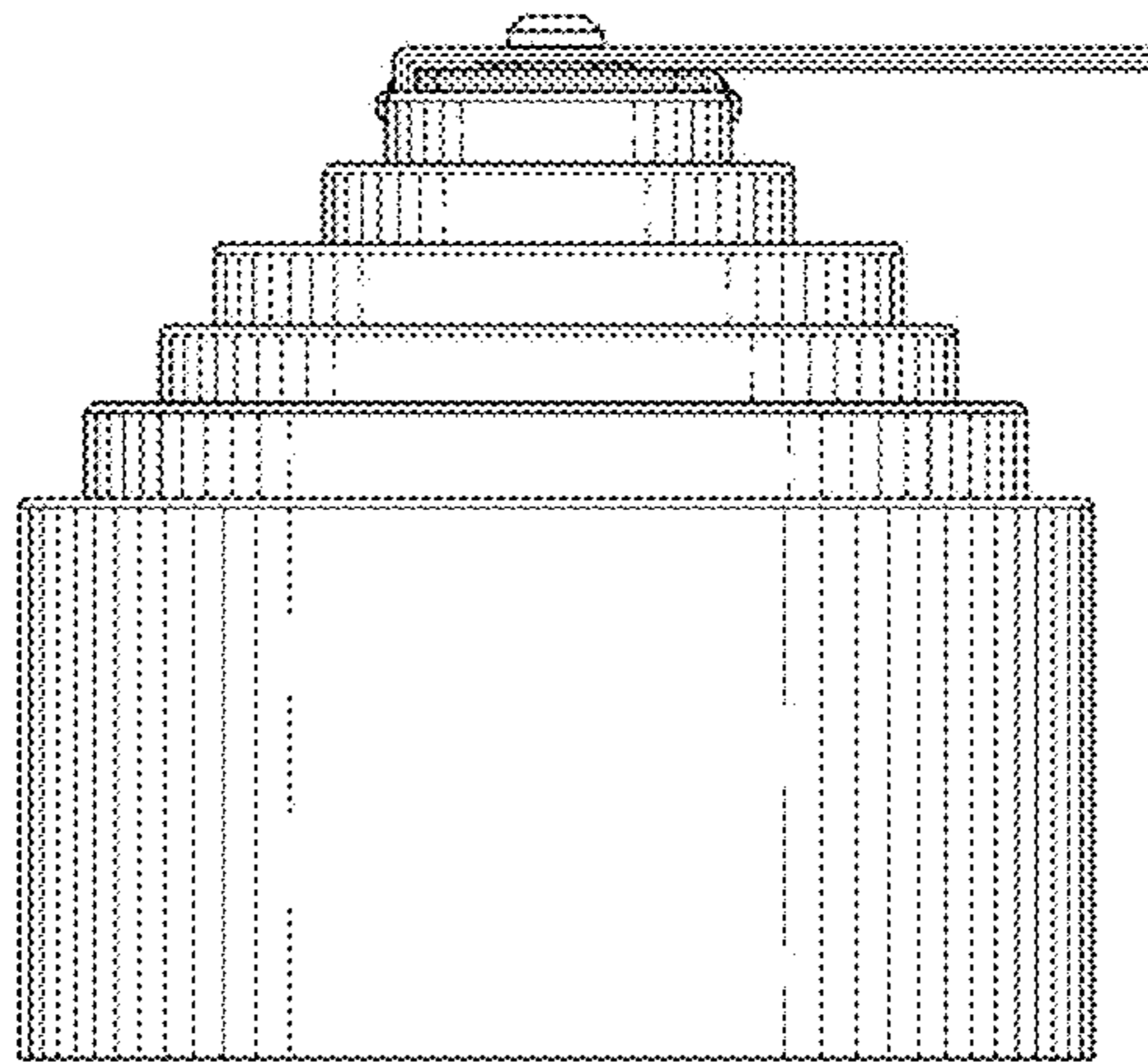
1 Claim, 8 Drawing Sheets



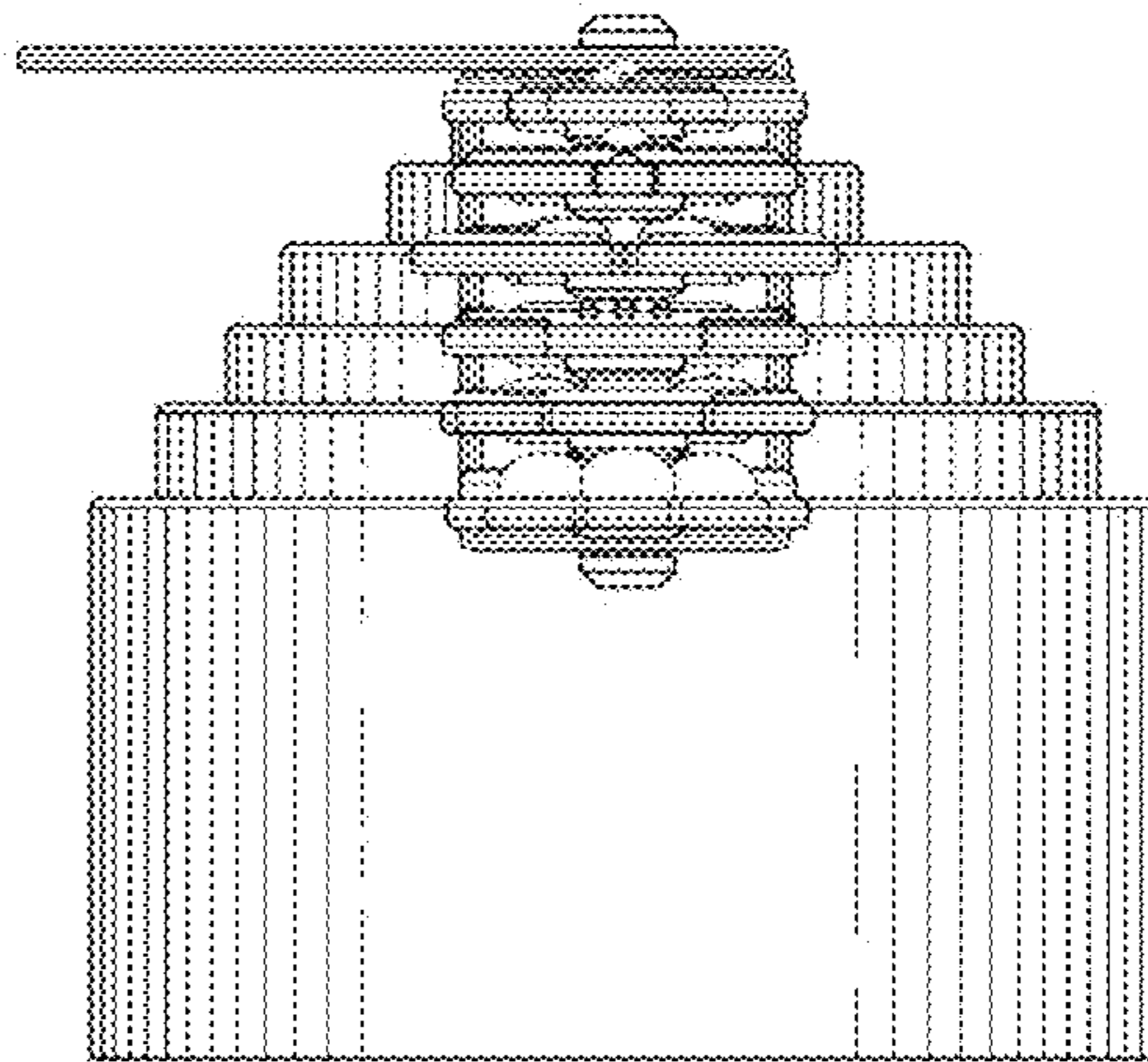
1.1



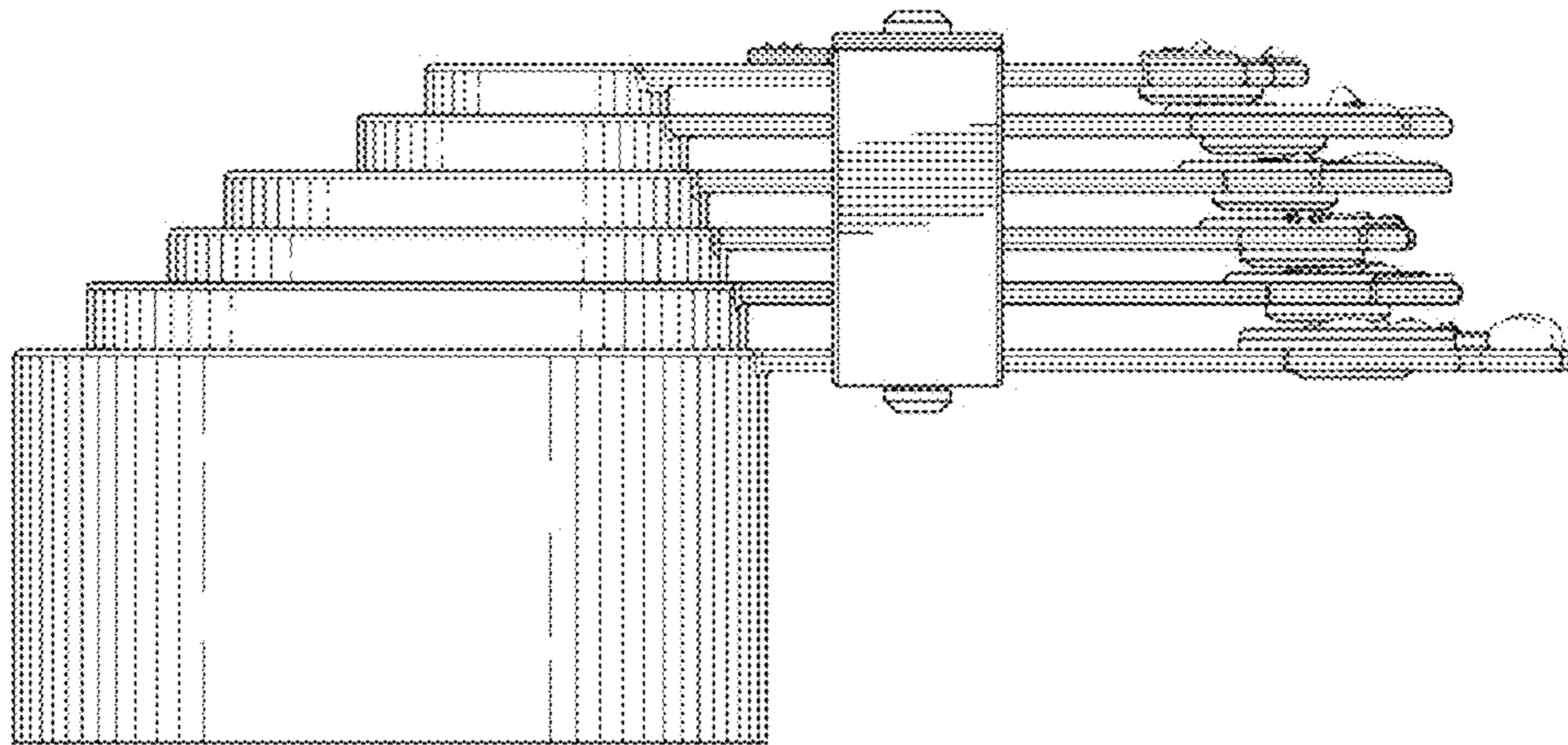
1.2



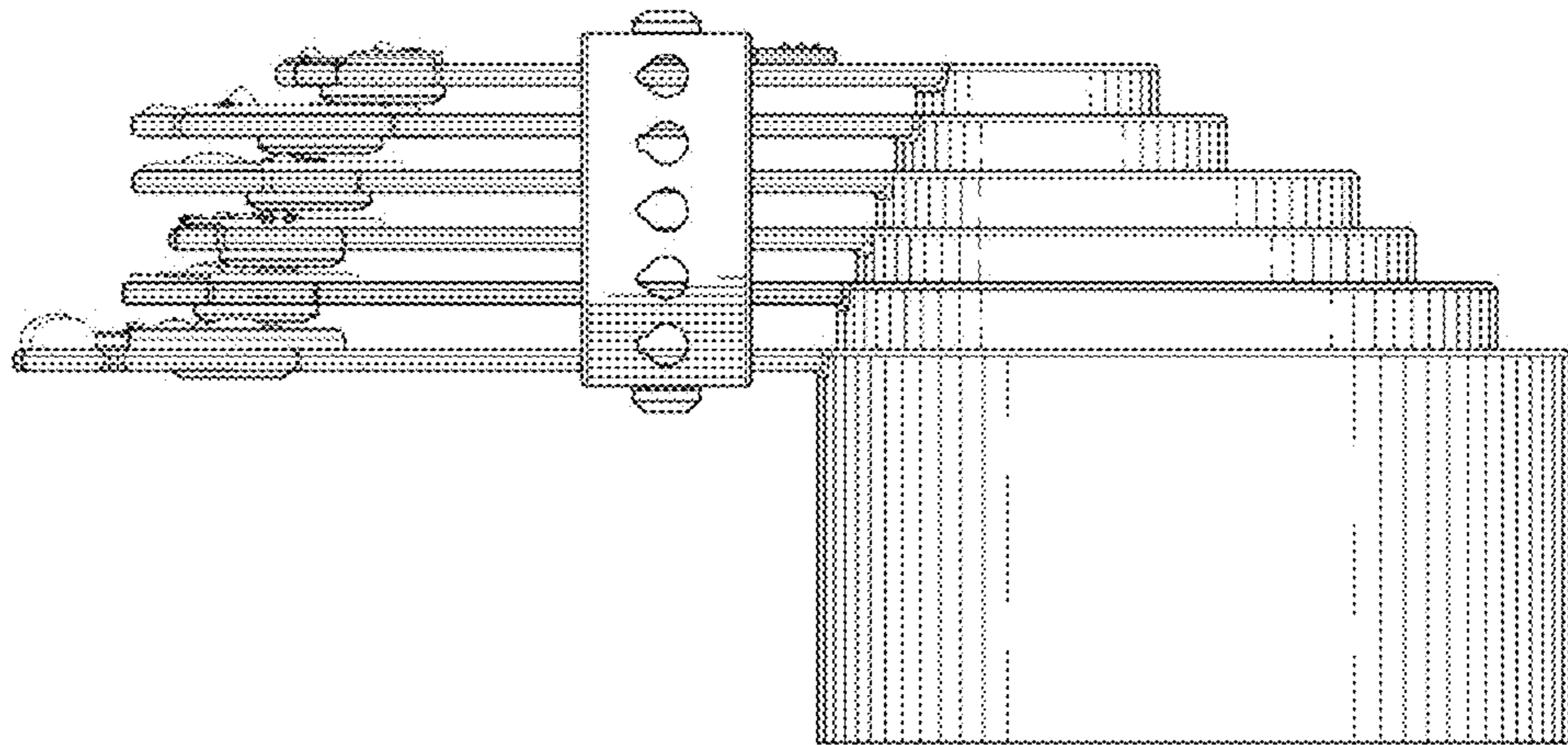
1.3



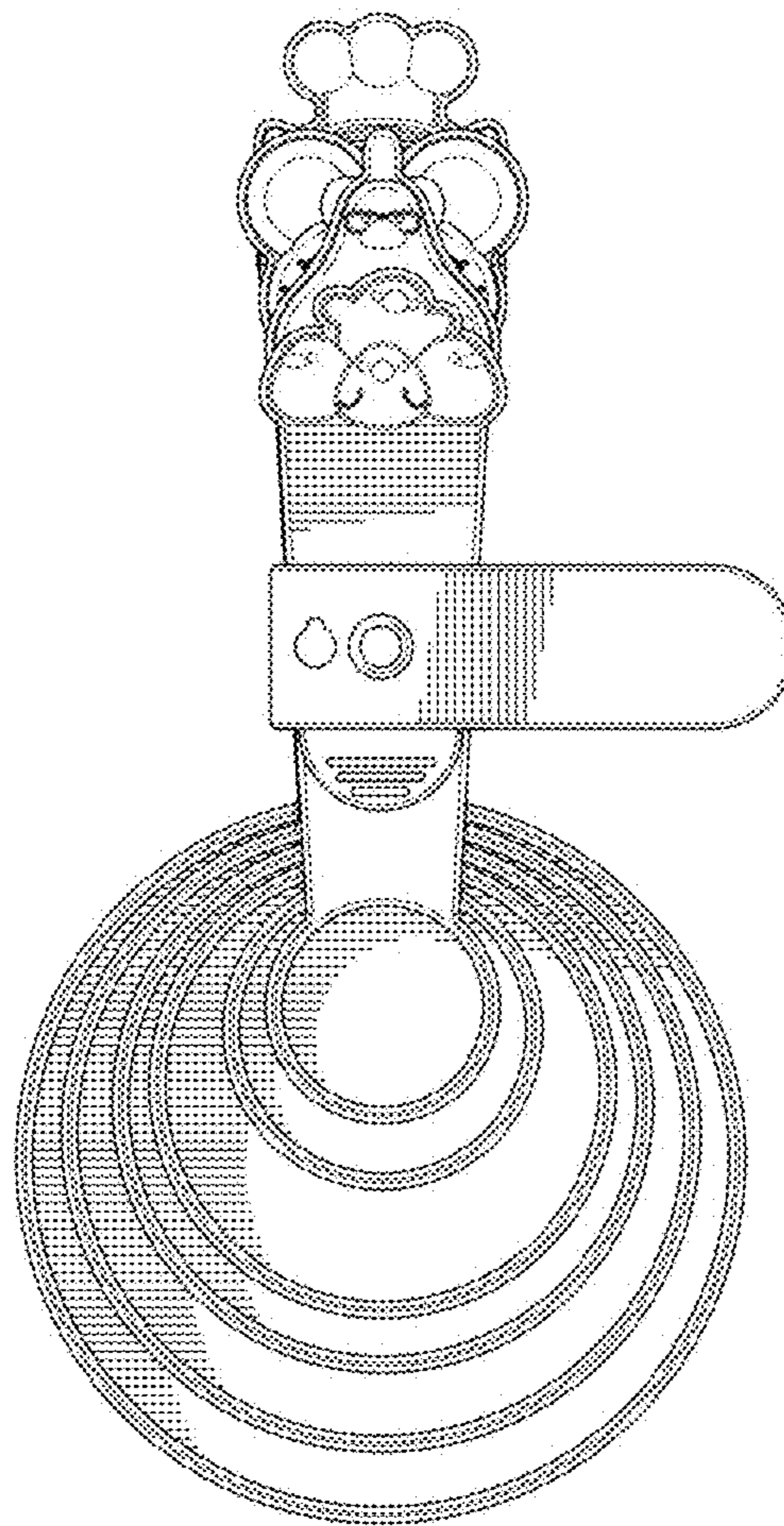
1.4



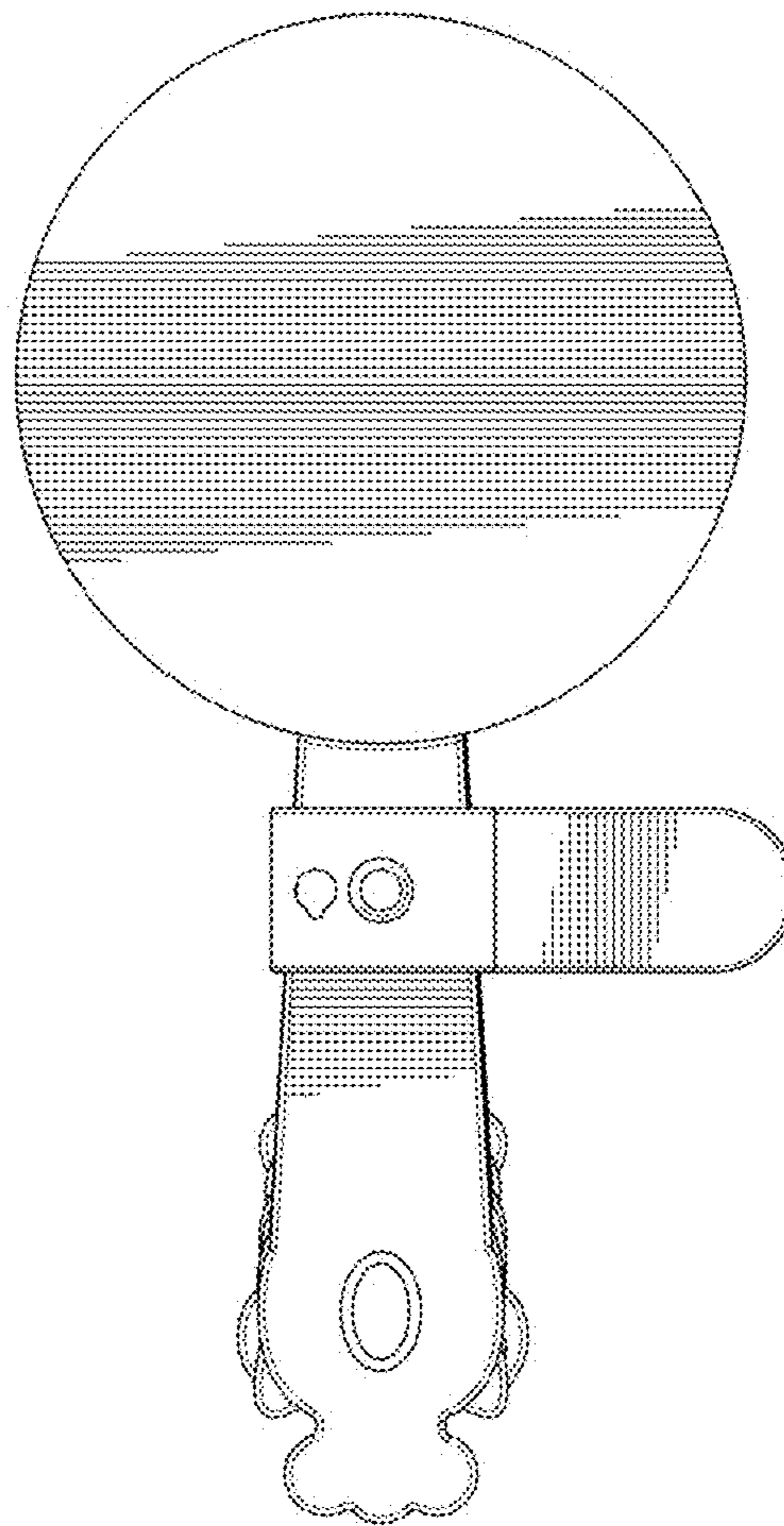
1.5



1.6



1.7



1.8

