



US00D908512S

(12) **United States Design Patent** (10) **Patent No.:** **US D908,512 S**
Chen (45) **Date of Patent:** **** *Jan. 26, 2021**

(54) **HOSE FLOW CONTROL**

(56) **References Cited**

(71) Applicant: **SHIN TAI SPURT WATER OF THE GARDEN TOOLS CO., LTD.,**
Chang-Hua Hsien (TW)

U.S. PATENT DOCUMENTS

(72) Inventor: **Chin-Yuan Chen,** Chang-Hua Hsien (TW)

D567,680	S	*	4/2008	Michael	D10/40
D567,681	S	*	4/2008	Michael	D10/40
D657,263	S	*	4/2012	Nies	D10/40
D657,264	S	*	4/2012	Nies	D10/40
D682,714	S	*	5/2013	Barton	D10/40
D691,243	S	*	10/2013	Meyer	D23/245
D702,566	S	*	4/2014	Chandran	D23/245
D713,271	S	*	9/2014	Ericksen	A01G 25/165 D10/40

(73) Assignee: **SHIN TAI SPURT WATER OF THE GARDEN TOOLS CO., LTD.,**
Chang-Hua Hsien (TW)

* cited by examiner

(*) Notice: This patent is subject to a terminal disclaimer.

Primary Examiner — Gino Colan

(**) Term: **15 Years**

(57) **CLAIM**

The ornamental design for a hose flow control, as shown and described.

(21) Appl. No.: **29/673,852**

DESCRIPTION

(22) Filed: **Dec. 18, 2018**

FIG. 1 is a perspective view of a hose flow control showing my new design;
FIG. 2 is a front elevational view thereof;
FIG. 3 is a rear elevational view thereof;
FIG. 4 is a left side elevational view thereof;
FIG. 5 is a right side elevational view thereof;
FIG. 6 is a top plan view thereof;
FIG. 7 is a bottom plan view thereof; and,
FIG. 8 is another perspective view thereof.
The broken lines shown in the figures are for the purpose of illustrating portions of the hose flow control and form no part of the claimed design.

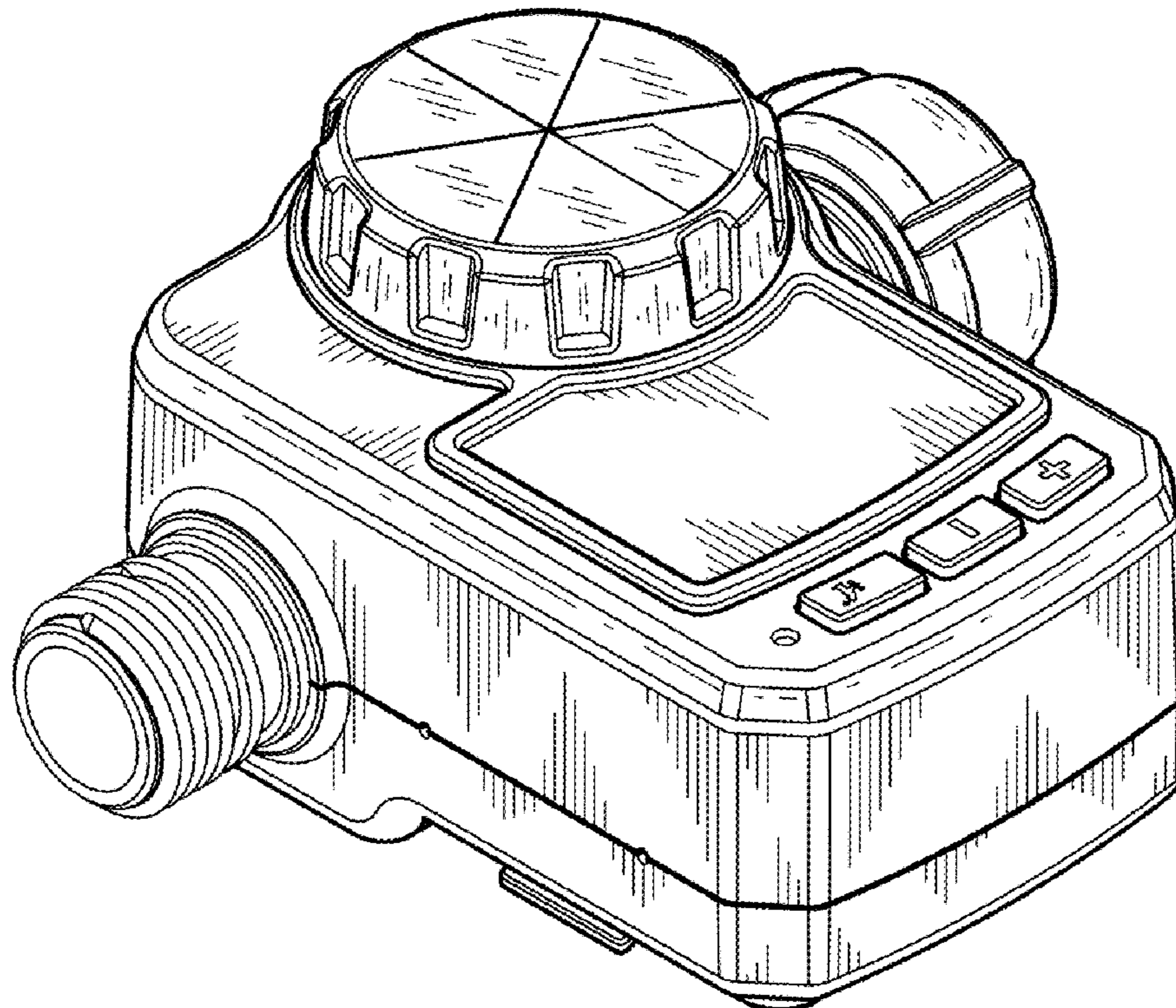
(51) **LOC (13) Cl.** **10-03**

(52) **U.S. Cl.**
USPC **D10/40**

(58) **Field of Classification Search**
USPC D23/233, 235, 241, 245, 246, 249;
D10/40, 46, 49, 50, 624.11, 624.12,
D10/624.21, 624.22, 624.18, 624.13,
D10/624.15, 883
CPC B05B 1/3013; B05B 9/01; F16K 1/526;
F16K 5/12; B67D 7/08

See application file for complete search history.

1 Claim, 5 Drawing Sheets



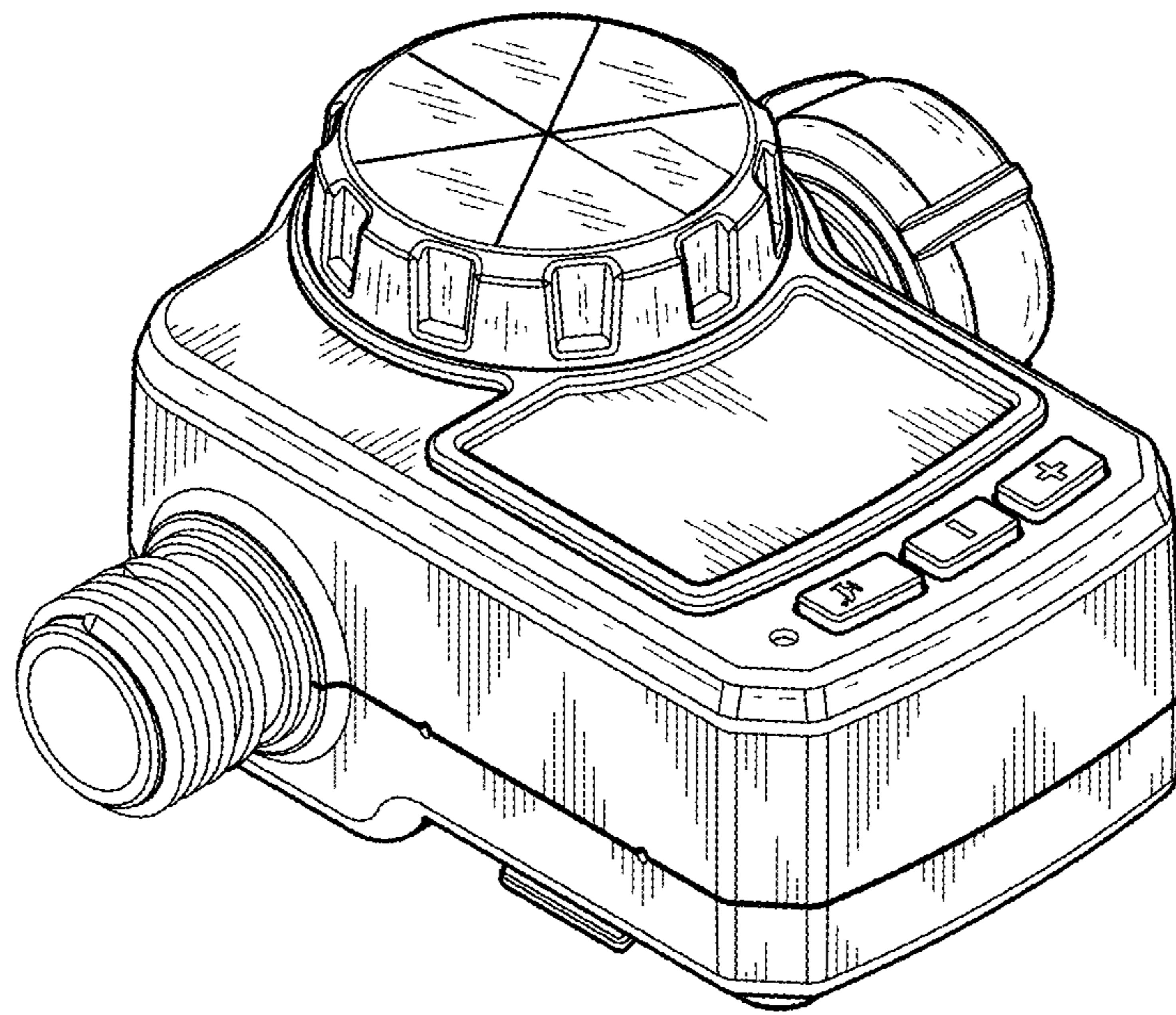


FIG. 1

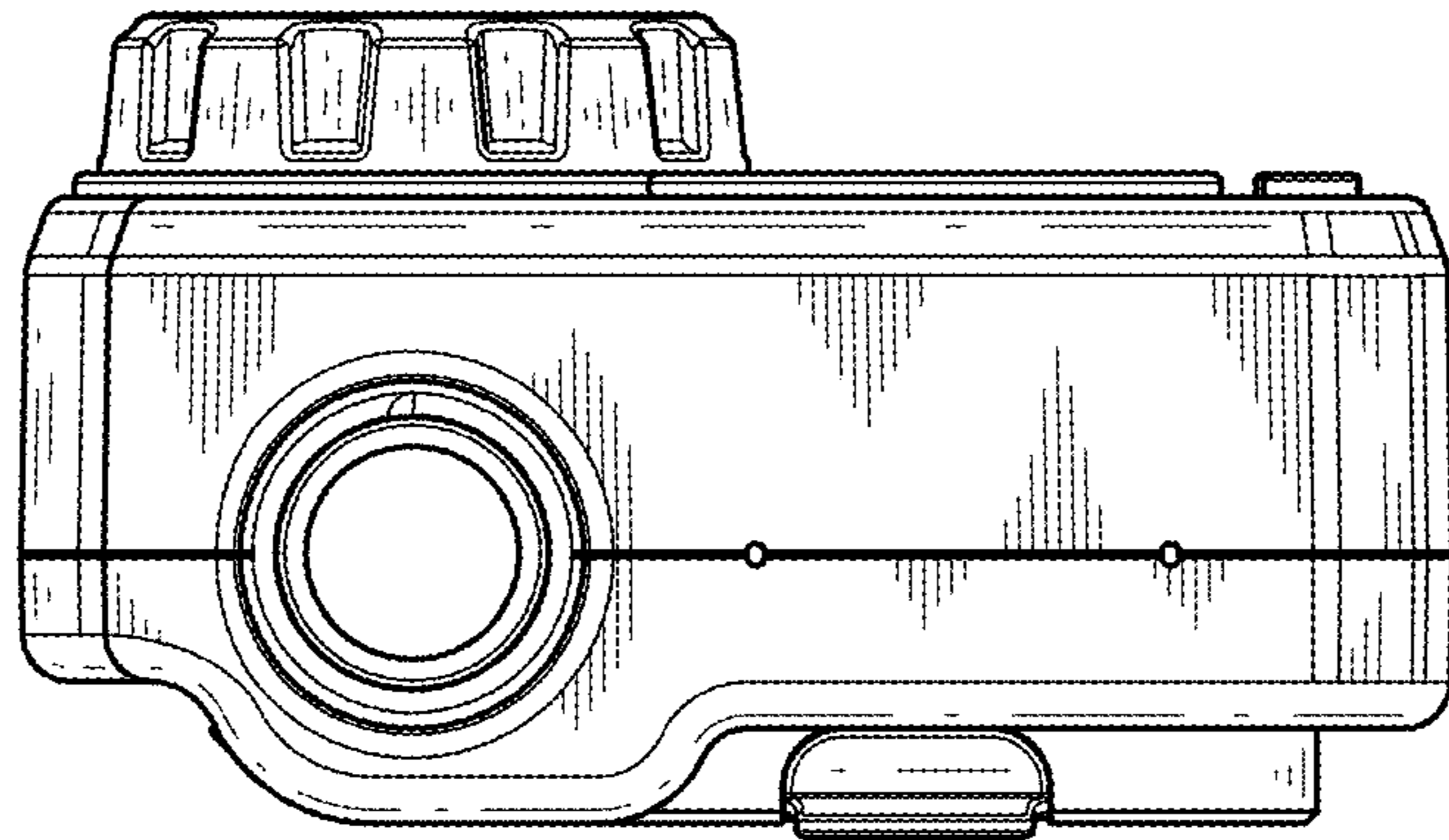


FIG. 2

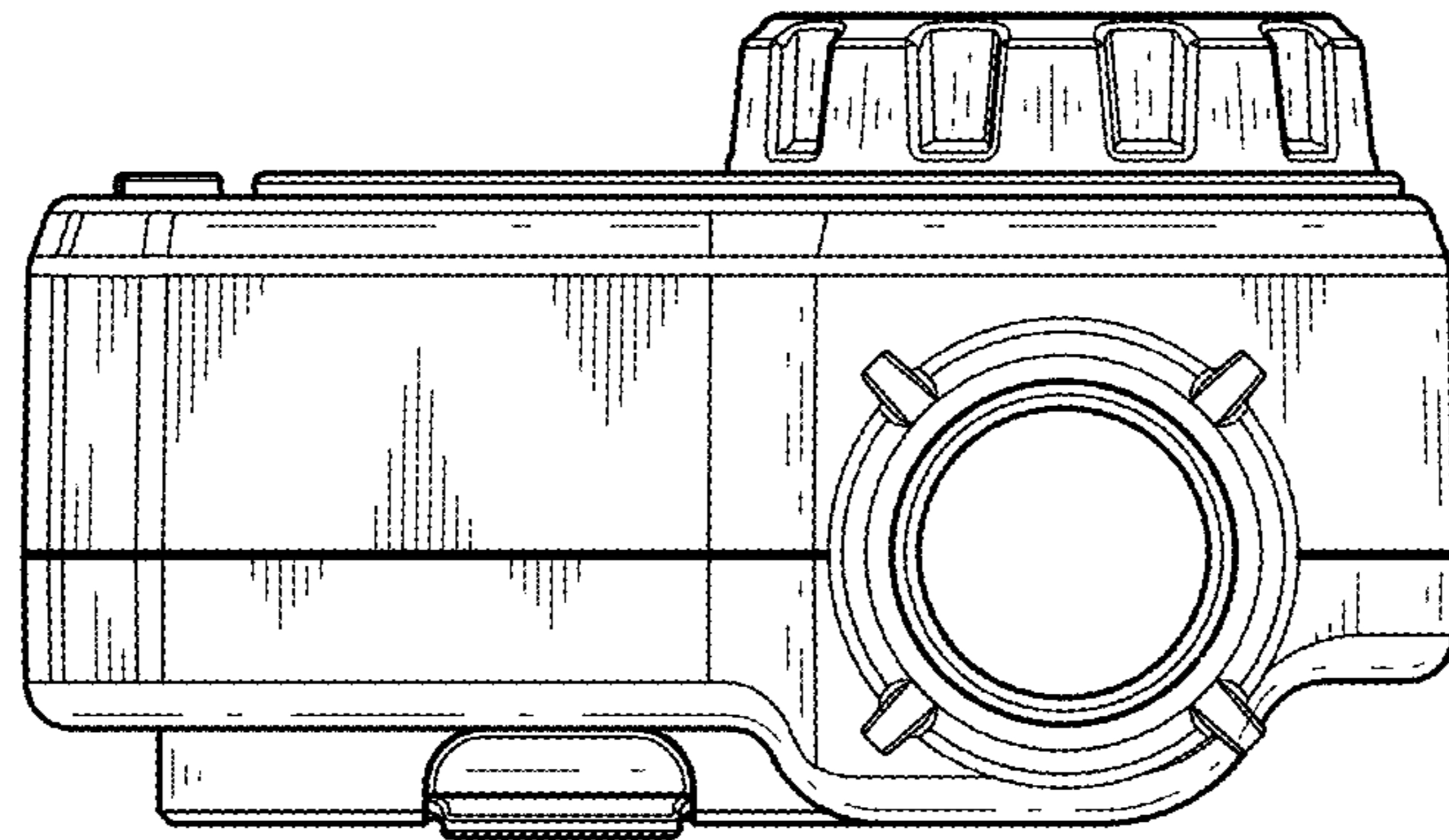


FIG. 3

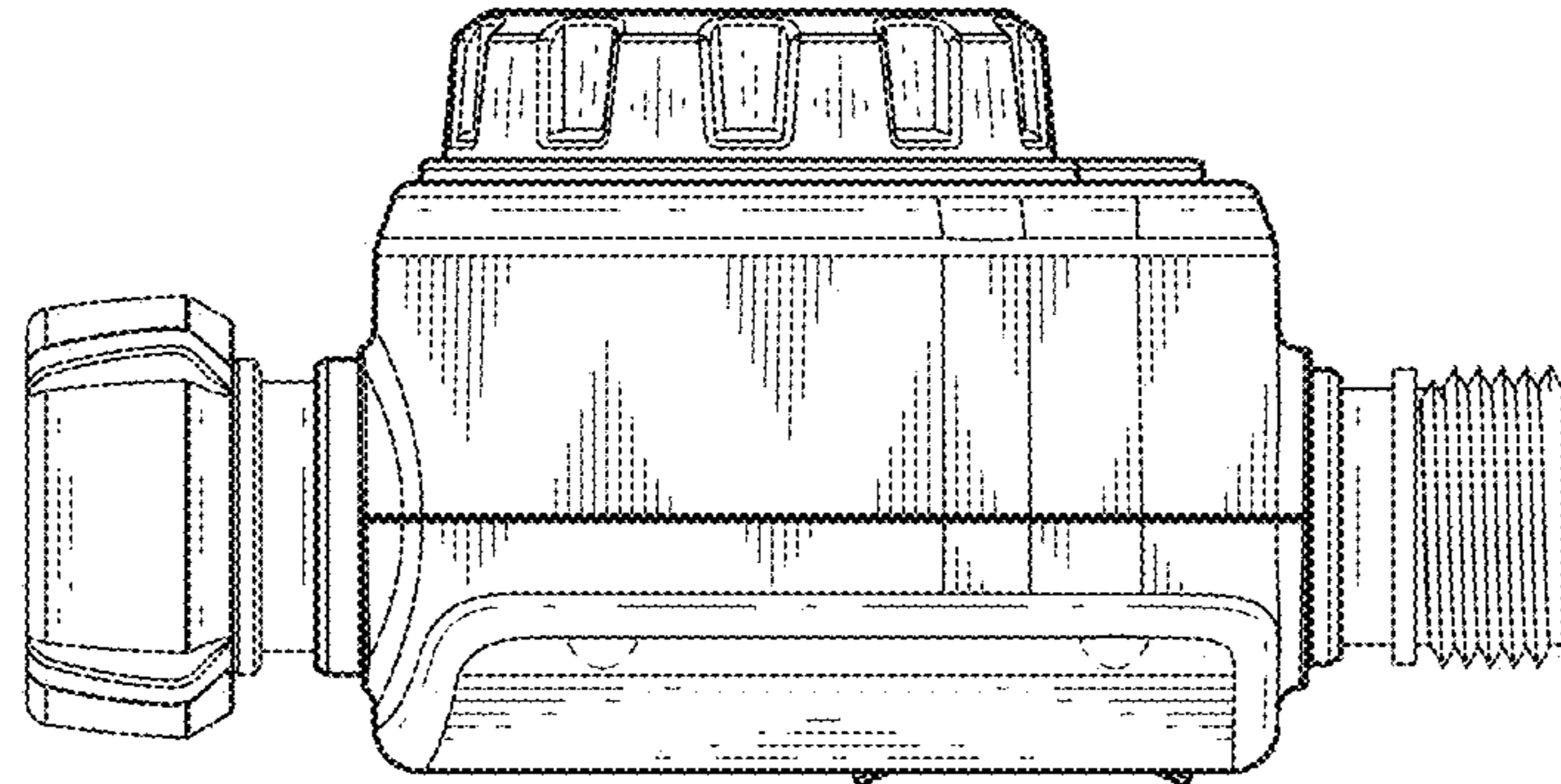


FIG. 4

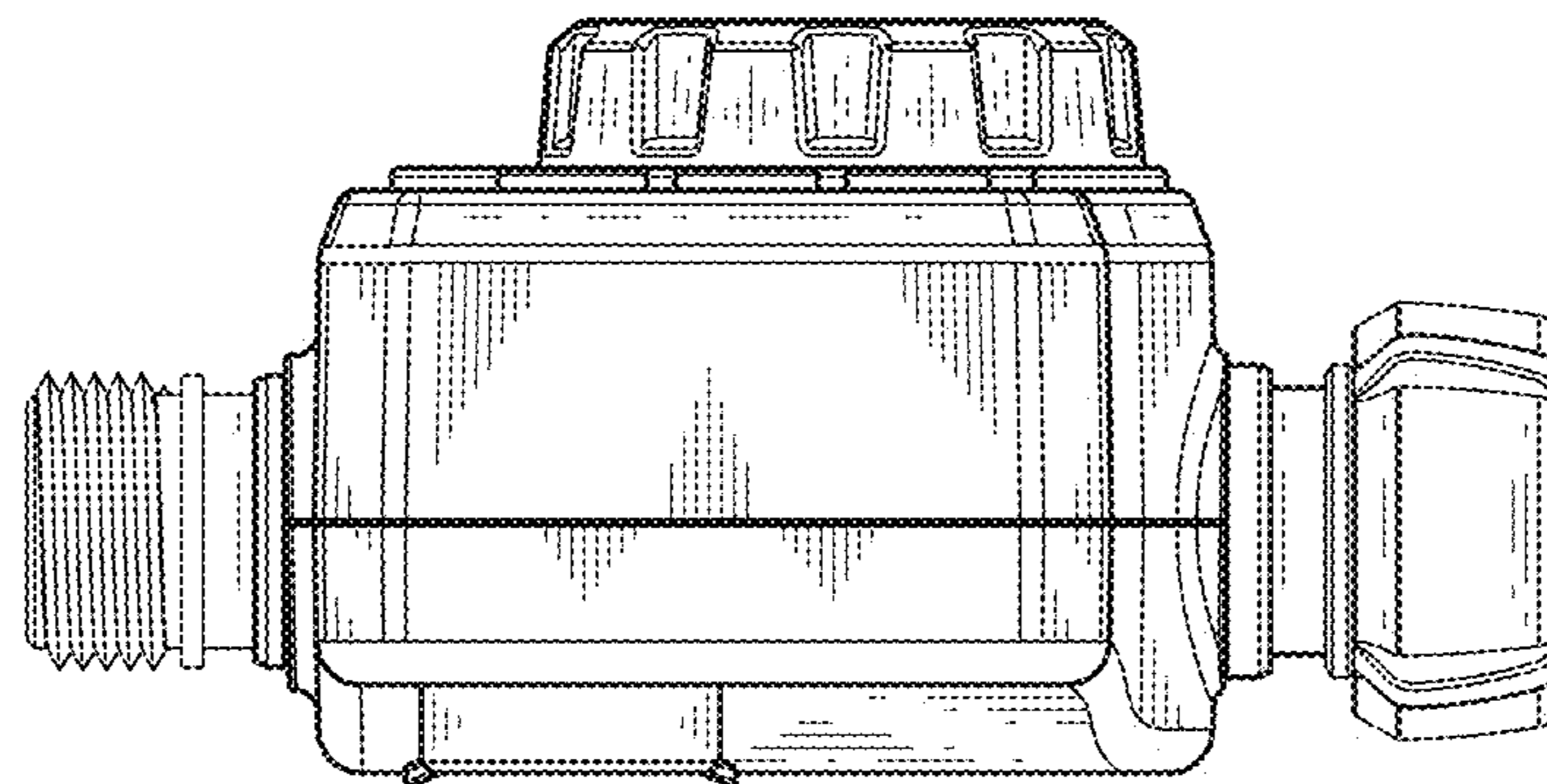


FIG. 5

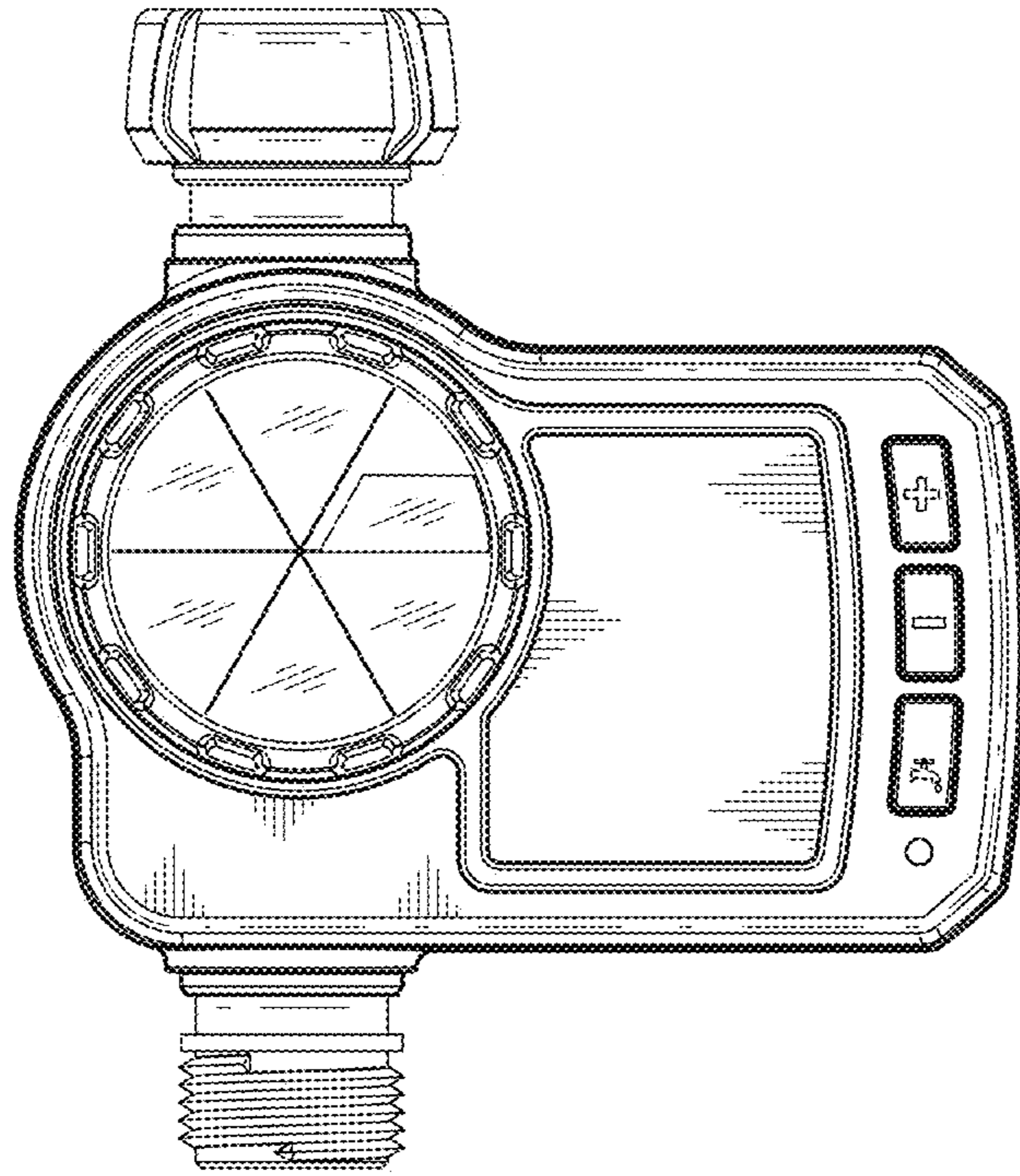


FIG. 6

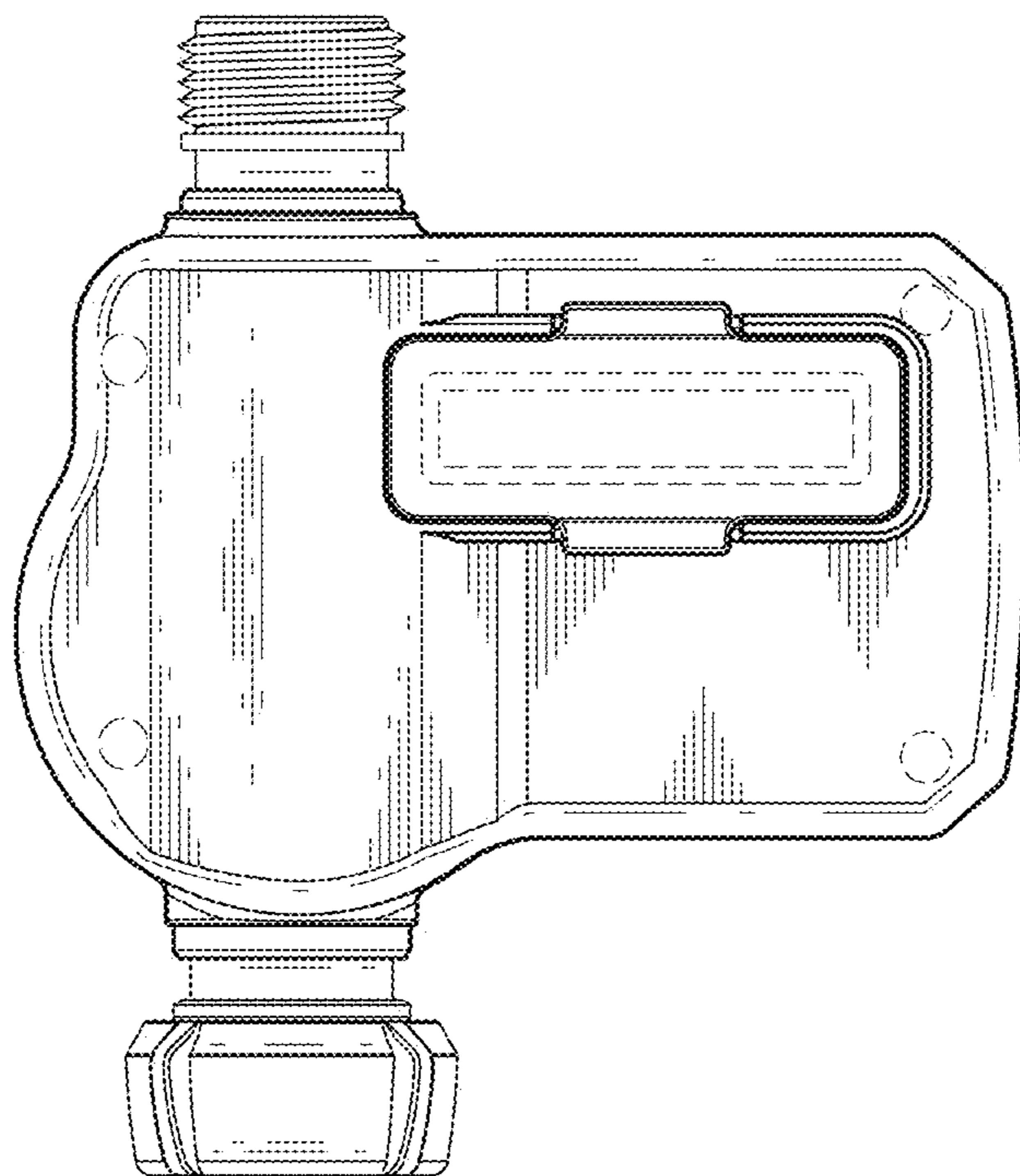


FIG. 7

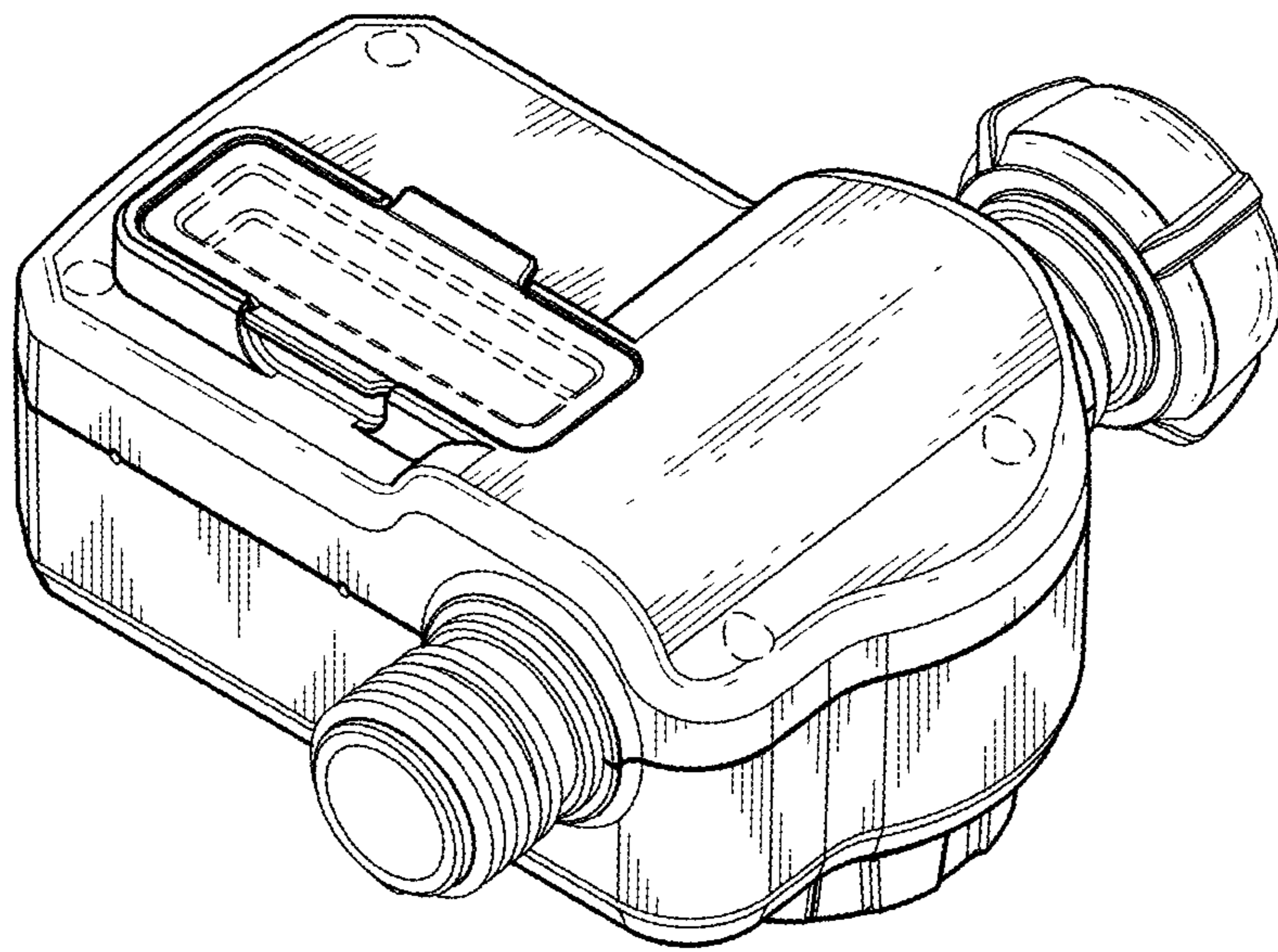


FIG. 8