



US00D908510S

(12) **United States Design Patent**
Wu

(10) **Patent No.:** **US D908,510 S**
(45) **Date of Patent:** **** Jan. 26, 2021**

(54) **SMART CLOCK WITH PROJECTOR**
(71) Applicant: **Bin Wu**, Linden, NJ (US)
(72) Inventor: **Bin Wu**, Linden, NJ (US)
(**) Term: **15 Years**
(21) Appl. No.: **29/639,535**
(22) Filed: **Mar. 7, 2018**
(51) **LOC (13) Cl.** **10-01**
(52) **U.S. Cl.**
USPC **D10/22; D10/2**
(58) **Field of Classification Search**
USPC D10/1–29, 40, 41, 128–130; D14/170,
D14/171, 188, 194, 195, 197, 198
CPC G04B 19/00; G04B 19/04; G04B 19/34;
G04B 45/0069; G04C 3/00; G04C 3/0001
See application file for complete search history.

D466,418 S * 12/2002 Kwok D10/15
6,574,897 B1 * 6/2003 Timmer A47G 1/0616
40/743
D483,275 S * 12/2003 Chen D10/15
D518,386 S * 4/2006 Della Rossa D10/126
D531,057 S * 10/2006 Bhavnani D10/1
D531,058 S * 10/2006 Bhavnani D10/1
D531,062 S * 10/2006 Bhavnani D10/23
D532,055 S * 11/2006 Lin D21/531
7,149,152 B1 * 12/2006 Chan G03B 29/00
368/79
D543,473 S * 5/2007 Bhavnani D10/23
D543,870 S * 6/2007 Bhavnani D10/23
D564,913 S * 3/2008 Smith-Kielland D10/40
D567,108 S * 4/2008 Chang D10/2
D567,673 S * 4/2008 Chu D10/15
D582,165 S * 12/2008 Li D14/374
D611,839 S * 3/2010 Tompkin D10/1

(Continued)

Primary Examiner — Sandra Snapp
(74) *Attorney, Agent, or Firm* — Mitchell Law PLLC;
Matthew W. Mitchell

(56) **References Cited**

U.S. PATENT DOCUMENTS

D100,771 S * 8/1936 Guild D10/102
3,136,210 A * 6/1964 Barrett G04B 19/34
368/79
D274,225 S * 6/1984 Simon D10/23
D279,764 S * 7/1985 Rhoades D10/23
D309,572 S * 7/1990 Suzuki D10/18
D317,870 S * 7/1991 Dumas D10/18
D337,951 S * 8/1993 Bruzzi D10/18
5,247,492 A * 9/1993 Pan G04G 9/00
368/239
D355,607 S * 2/1995 Pan D10/1
D359,241 S * 6/1995 Ling D10/18
D361,519 S * 8/1995 Inora D10/18
D362,123 S * 9/1995 Johnston D6/303
D363,433 S * 10/1995 Caraballo D10/18
D381,917 S * 8/1997 McCue D10/23
D394,814 S * 6/1998 Chen D10/2
D397,943 S * 9/1998 Levinger D10/18
D410,393 S * 6/1999 Hanig D10/1

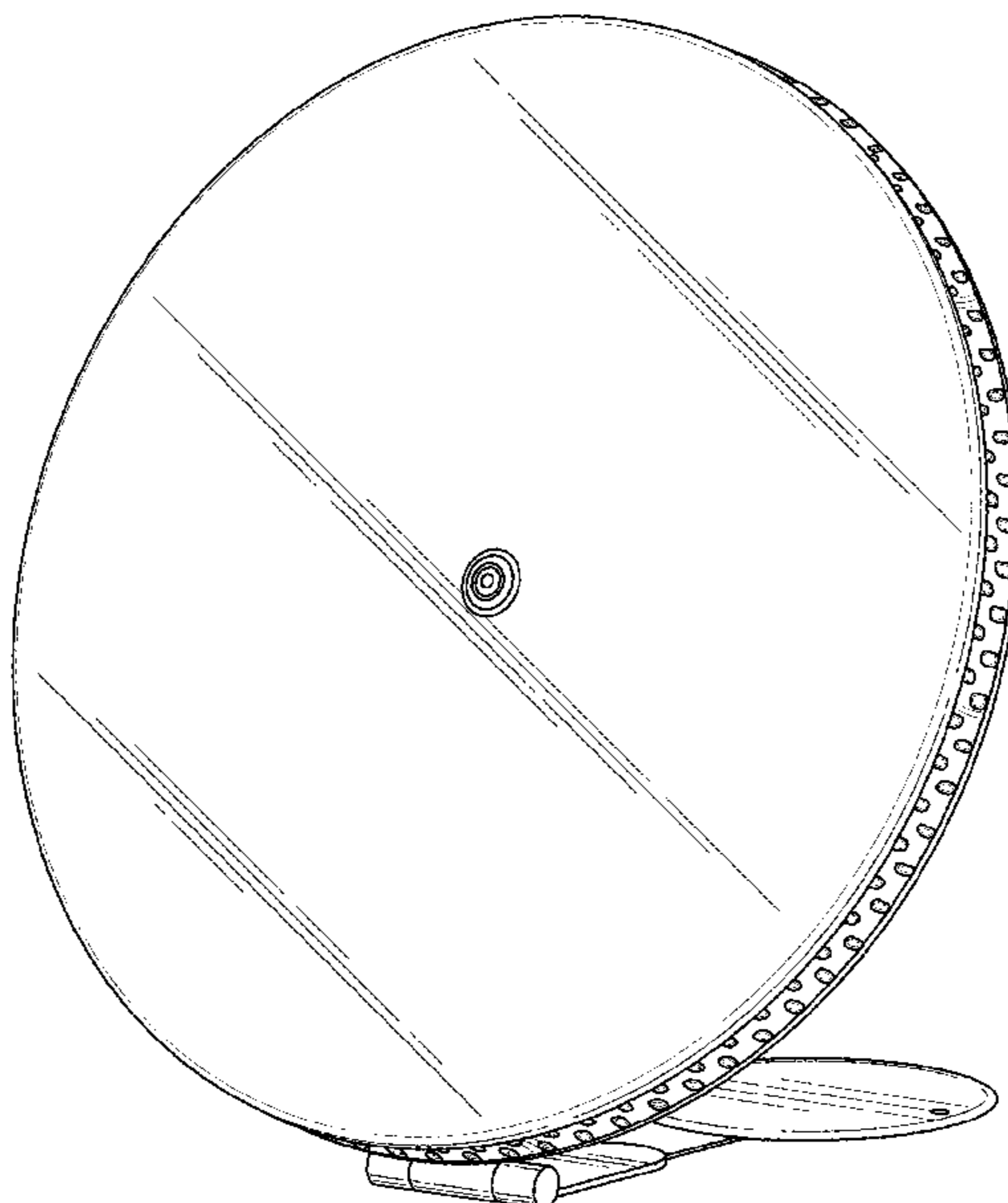
(57) **CLAIM**

The ornamental design for a smart clock with projector, as shown and described.

DESCRIPTION

FIG. 1 is a front isometric view showing my new design;
FIG. 2 is a rear isometric view;
FIG. 3 is a front view;
FIG. 4 is a rear view;
FIG. 5 is a right side view with respect to FIG. 3;
FIG. 6 is a left side view with respect to FIG. 3;
FIG. 7 is a top plan view; and,
FIG. 8 is a bottom plan view.
The broken lines shown in the drawings depict the interior of the speaker holes of the smart clock with projector and form no part of the claimed design.

1 Claim, 8 Drawing Sheets



(56)

References Cited

U.S. PATENT DOCUMENTS

D612,267 S *	3/2010	Tsang	D10/1
D613,952 S *	4/2010	Yang	D14/371
D621,541 S *	8/2010	Hamel	D26/93
D637,010 S *	5/2011	Chen	D6/303
D732,979 S *	6/2015	Sesona	D10/22
D758,233 S *	6/2016	Lowery	D10/128
D761,128 S *	7/2016	Funk	D10/1
D821,890 S *	7/2018	Jin	D10/23

* cited by examiner

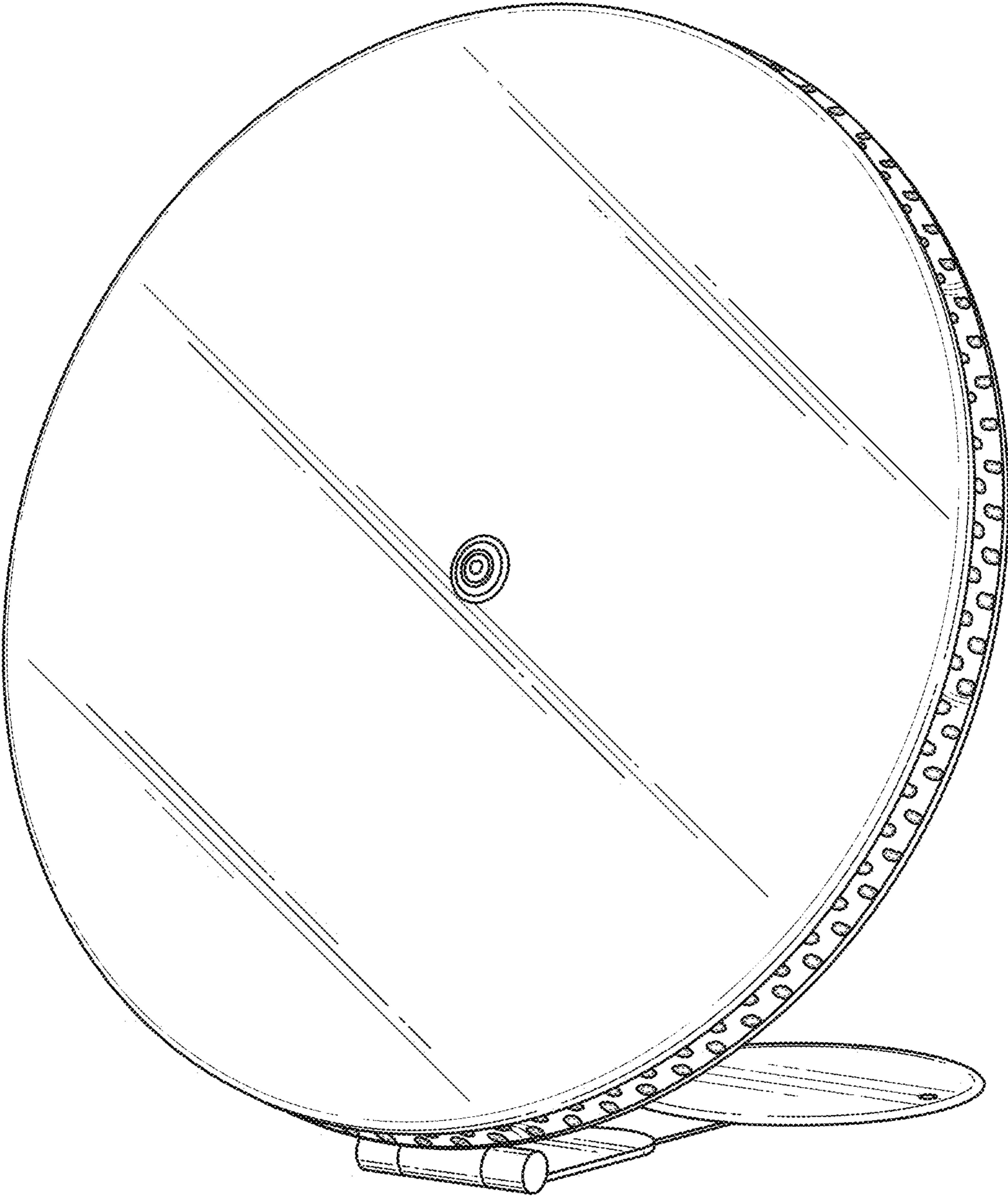


FIG. 1

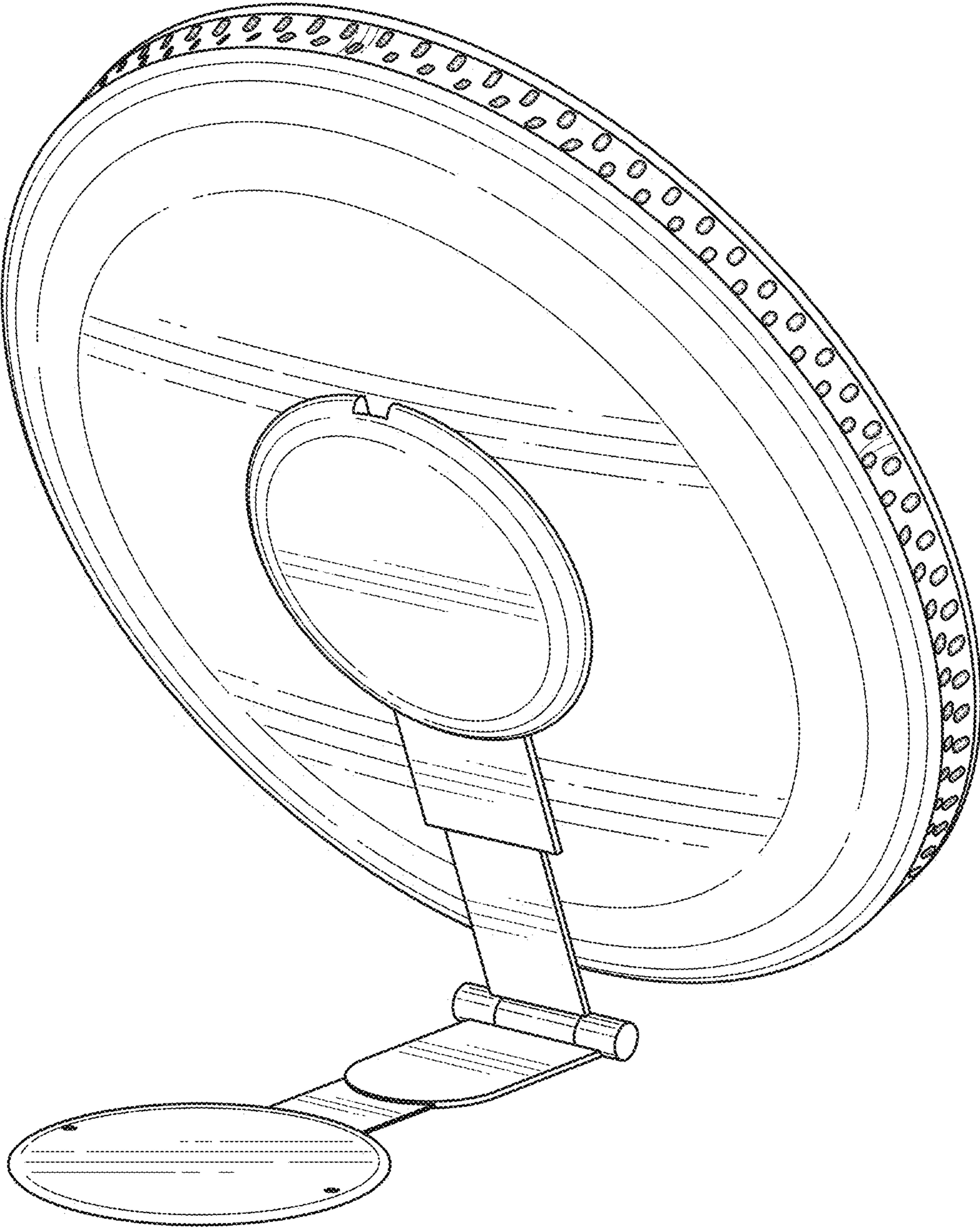


FIG. 2

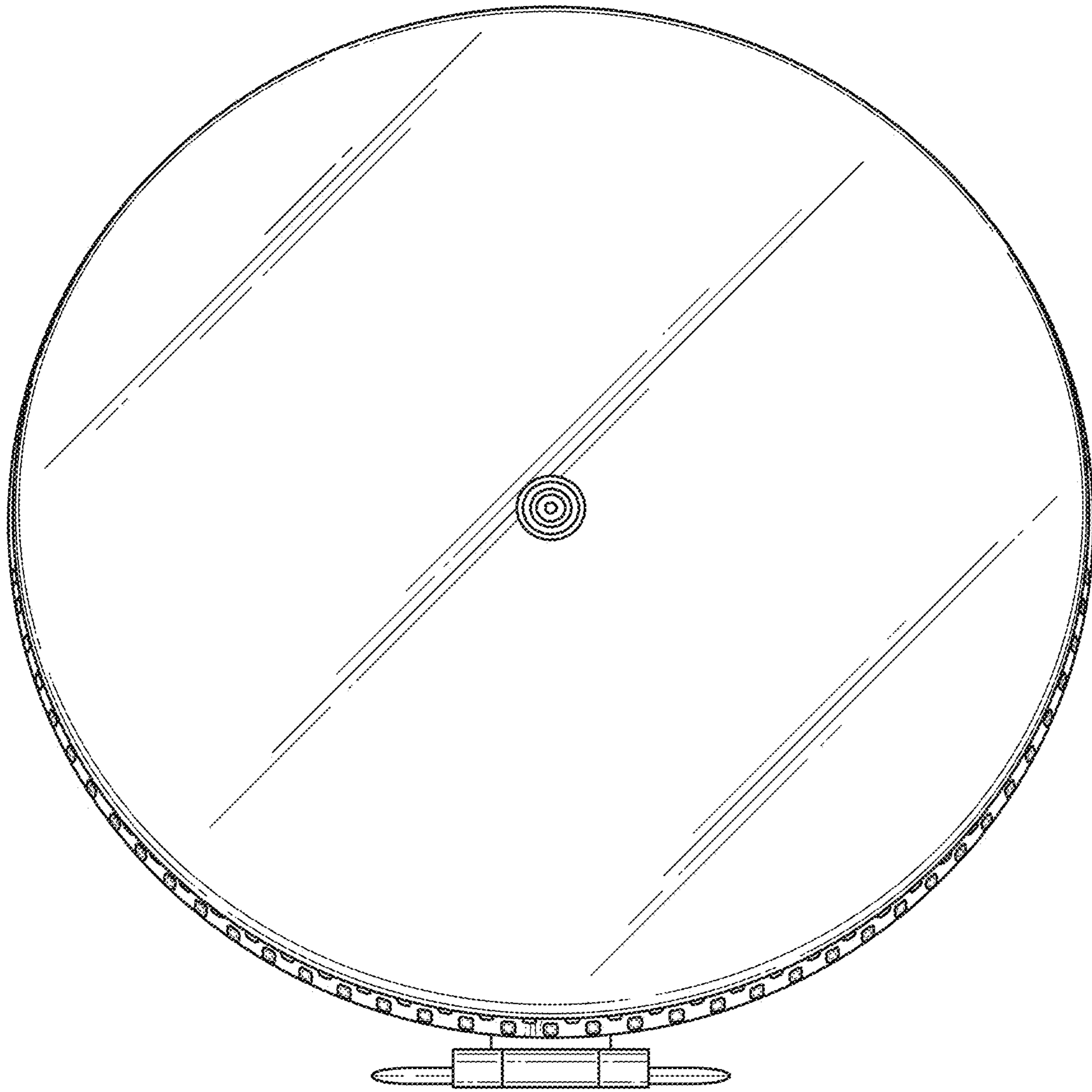


FIG. 3

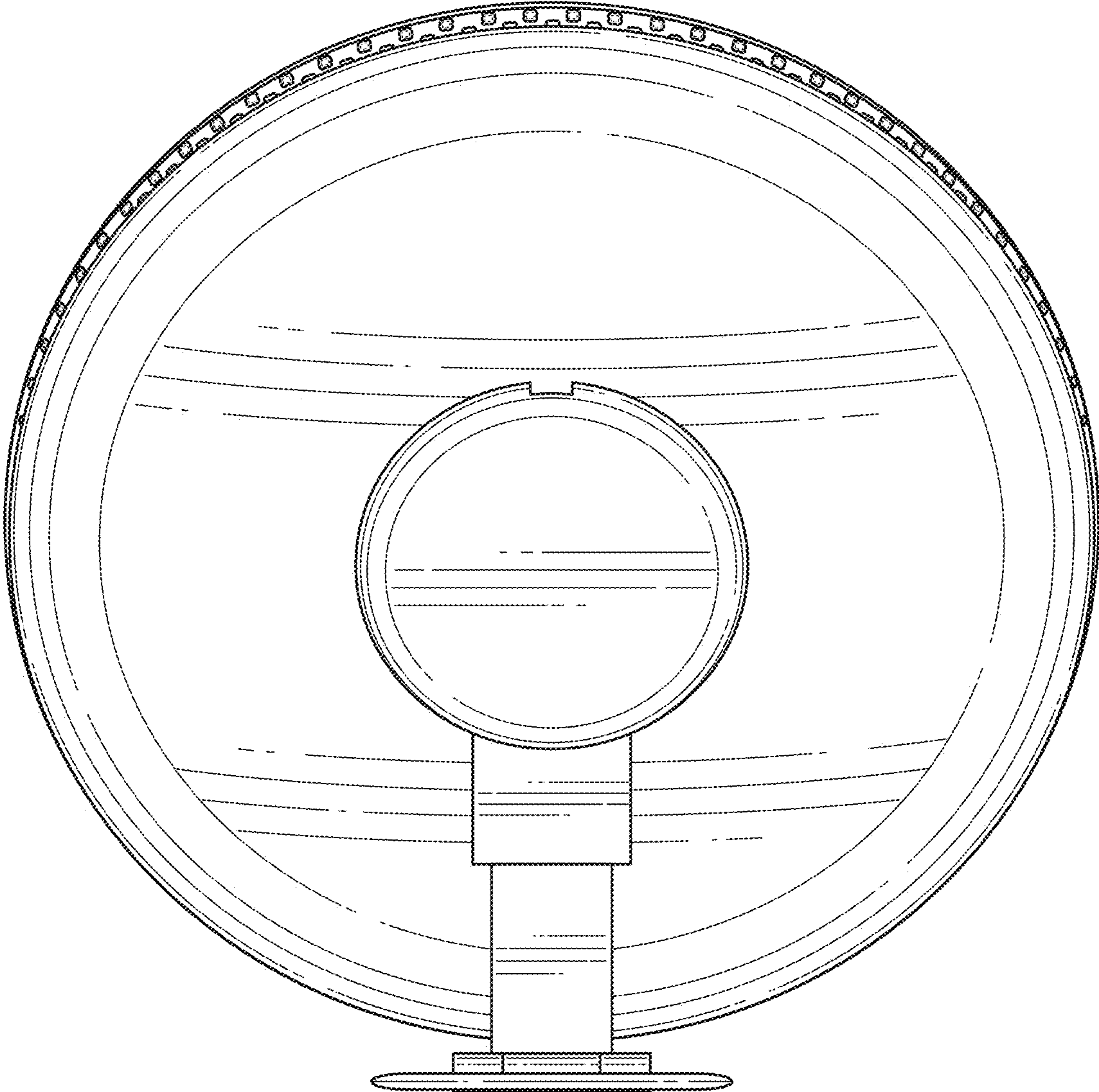


FIG. 4

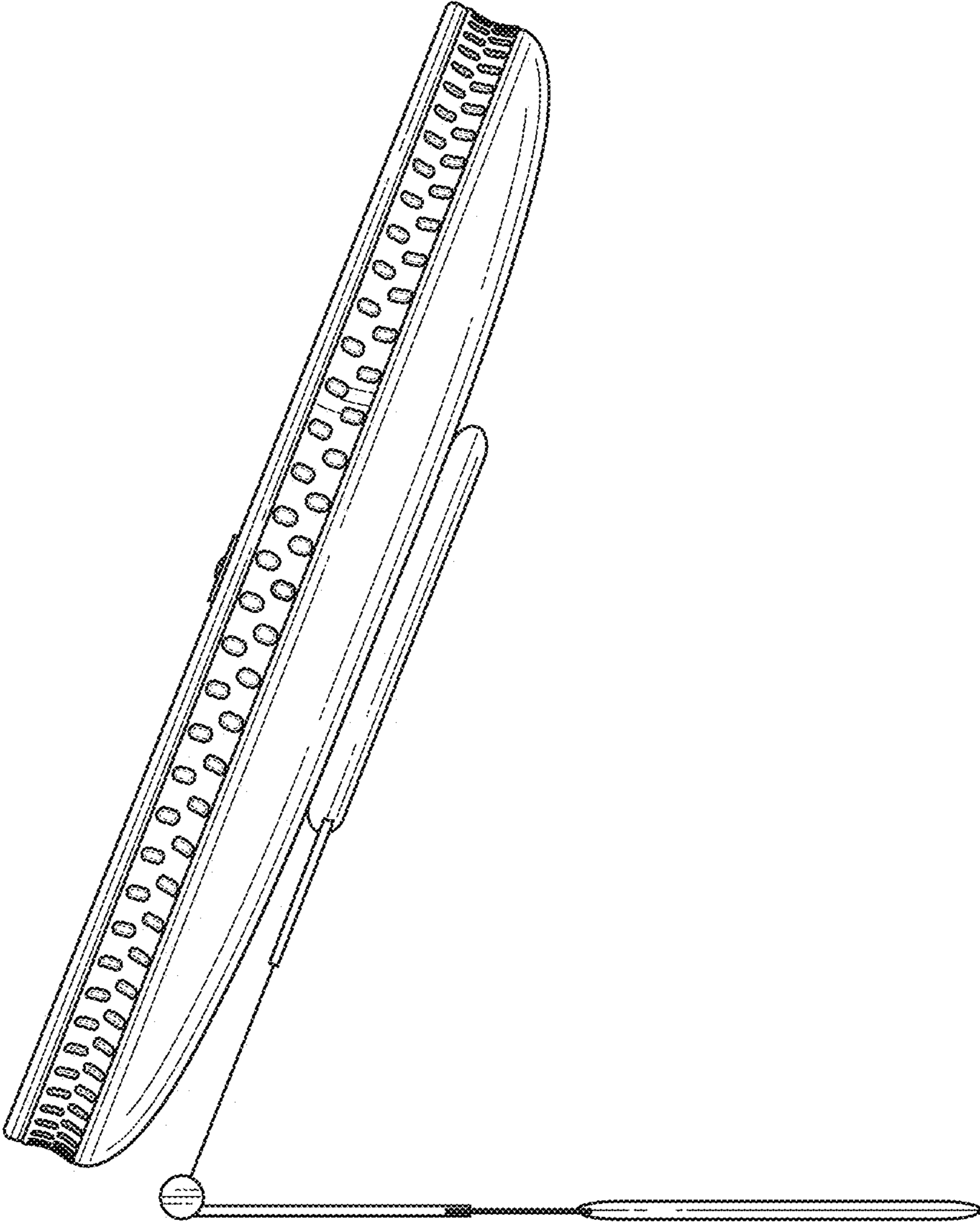


FIG. 5

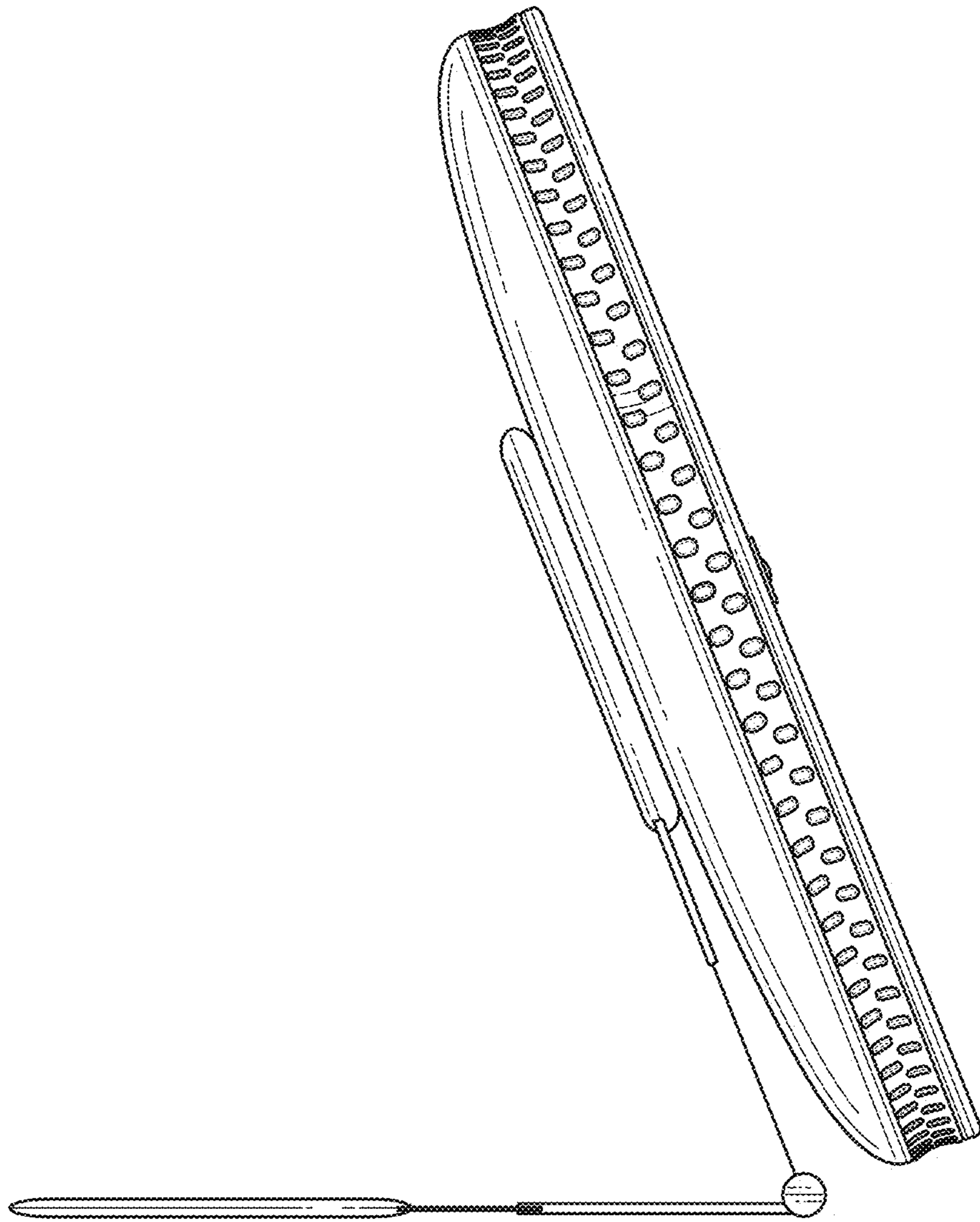


FIG. 6

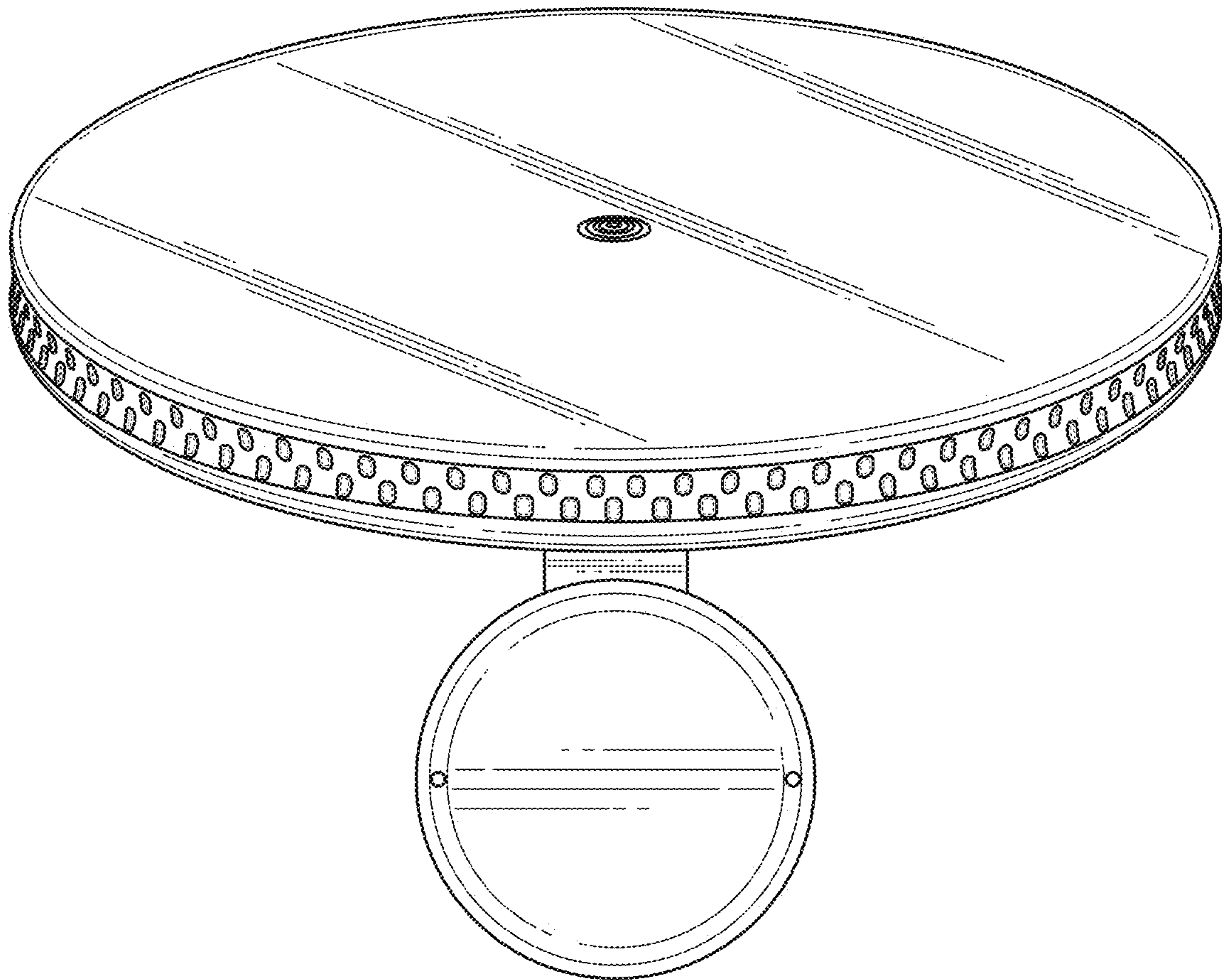


FIG. 7

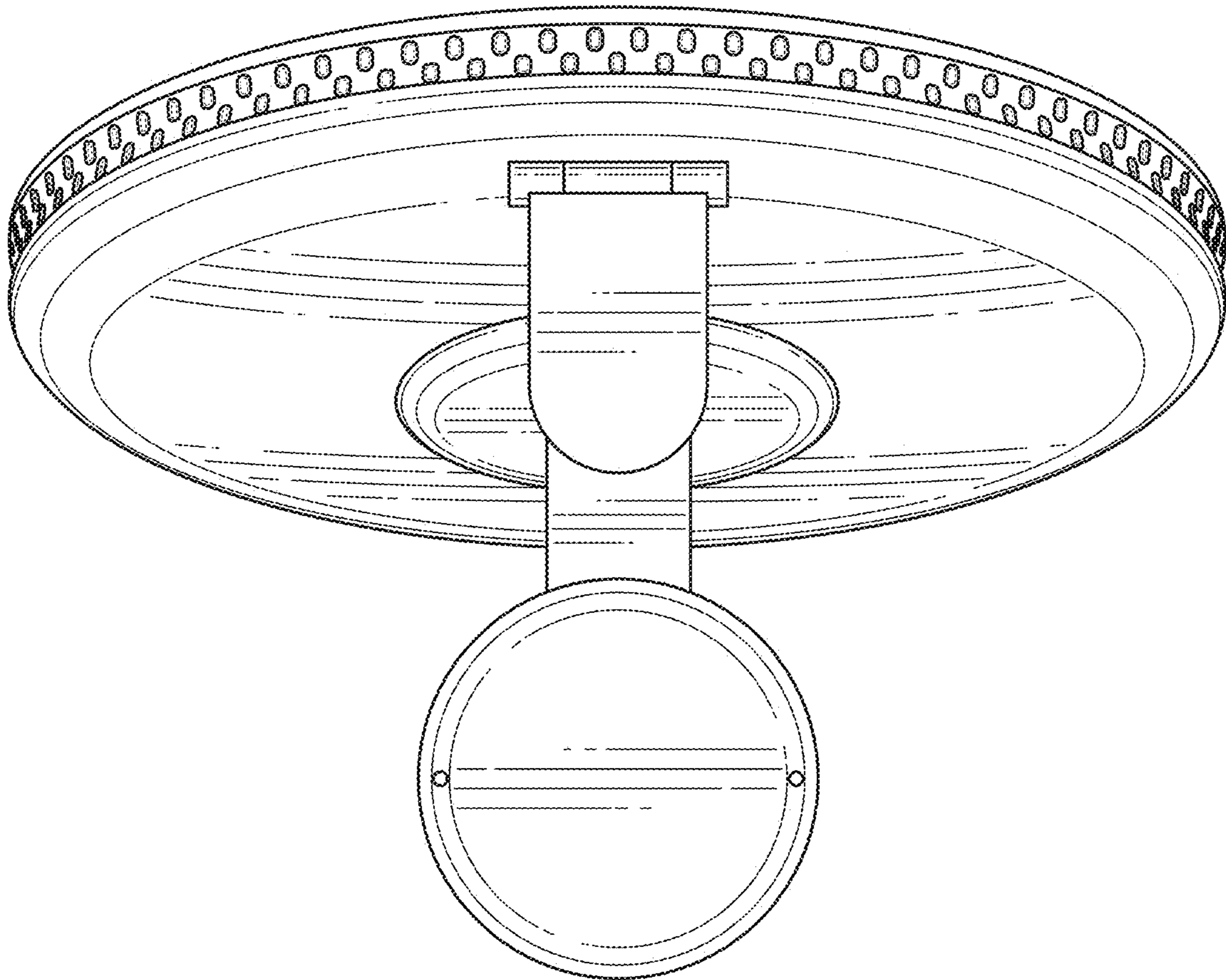


FIG. 8