



US00D908508S

(12) **United States Design Patent** (10) **Patent No.:** **US D908,508 S**
Butler (45) **Date of Patent:** **** Jan. 26, 2021**

(54) **BOTTLE**
(71) Applicant: **Monique Butler**, Murrieta, CA (US)
(72) Inventor: **Monique Butler**, Murrieta, CA (US)
(**) Term: **15 Years**

D389,017 S * 1/1998 Schwarz D7/515
D393,803 S 4/1998 Walter
D408,741 S * 4/1999 Mohary D9/543
D418,421 S 1/2000 Mansau
(Continued)

(21) Appl. No.: **29/737,456**
(22) Filed: **Jun. 9, 2020**

Related U.S. Application Data

(62) Division of application No. 29/686,866, filed on Apr. 8, 2019, now Pat. No. Des. 896,098.
(51) **LOC (13) Cl.** **09-01**
(52) **U.S. Cl.**
USPC **D9/652; D9/574**
(58) **Field of Classification Search**
USPC D3/202, 270, 271.1-271.4; D7/301-303, D7/509-511, 514-521, 529, 594, 599, D7/604, 613, 619.2, 623, 628; D9/600, D9/649, 652, 667, 500-516, 520, 523, D9/528, 542-546, 562, 572-575; 206/457, 459.5, 527; 215/381-384, 400; D11/56, 61, 103, 116, 121, 131-32
CPC B65D 5/42; B65D 5/4258; B65D 81/60; B65D 81/365; B65D 81/366; B65D 81/368; B65D 2203/00; B65D 2203/02; B65D 5/4208; B65D 77/00; B65D 67/00; A63H 33/16
See application file for complete search history.

(56) **References Cited**

U.S. PATENT DOCUMENTS

D190,527 S 6/1961 Borg
D212,523 S 10/1968 Affleck et al.
D241,317 S 9/1976 Brackman
D335,453 S 5/1993 Marti
D339,295 S * 9/1993 Hicks D9/516
D355,128 S 2/1995 Samimi et al.

OTHER PUBLICATIONS

Absolut Vodka bottle, published Nov. 2, 2018. https://www.focus-age.cz/m-journal/aktuality/absolut-vodka-prinasi-vsem-kapku-lasky-v-nove-limitovane-edici_s288x14066.html.*

Primary Examiner — Sandra L Morris

(74) *Attorney, Agent, or Firm* — Clement Cheng

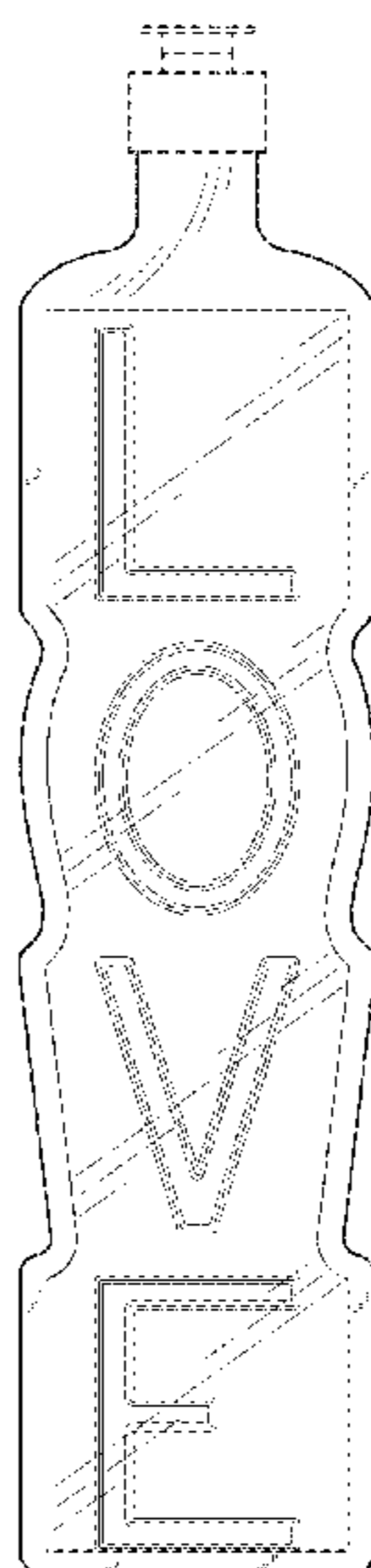
(57) **CLAIM**

The ornamental design for a bottle, as shown and described.

DESCRIPTION

FIG. 1 is a front perspective view a transparent embodiment of a bottle incorporating the word LOVE.
FIG. 2 is a front view of the bottle shown in FIG. 1.
FIG. 3 is a rear view of the bottle shown in FIG. 1.
FIG. 4 is a left side view of the bottle shown in FIG. 1.
FIG. 5 is a right side view of the bottle shown in FIG. 1.
FIG. 6 is a top view of the bottle shown in FIG. 1.
FIG. 7 is a bottom view of the bottle shown in FIG. 1.
FIG. 8 is a rear perspective view an opaque embodiment of a bottle incorporating the word LOVE.
FIG. 9 is a rear view of the bottle shown in FIG. 8.
FIG. 10 is a front view of the bottle shown in FIG. 8.
FIG. 11 is a cross sectional view of the bottle shown in FIG. 10.
FIG. 12 is a right side view of the bottle shown in FIG. 8.
FIG. 13 is a left side view of the bottle shown in FIG. 8.
FIG. 14 is a top view of the bottle shown in FIG. 8; and, FIG. 15 is a bottom view of the bottle shown in FIG. 8.
The dotted line disclosure on FIGS. 1-10 and 12-13 for the cap of the bottle forms no part of the claimed invention.

1 Claim, 9 Drawing Sheets



(56)

References Cited

U.S. PATENT DOCUMENTS

D450,249 S	11/2001	Beaver	
D458,140 S	6/2002	Hutchins	
D519,378 S	4/2006	Abadinsky	
D552,995 S	10/2007	Toh	
D553,502 S	10/2007	Toh	
D559,108 S	1/2008	Regas	
D588,466 S	3/2009	Sukhanovskiy	
D607,339 S	1/2010	Sanborn et al.	
D784,155 S *	4/2017	De Baschmakoff	D9/652
D798,162 S *	9/2017	Hatellari	D9/652
D804,544 S *	12/2017	Richardson	D15/90
D826,324 S *	8/2018	Cornett	D11/61

* cited by examiner

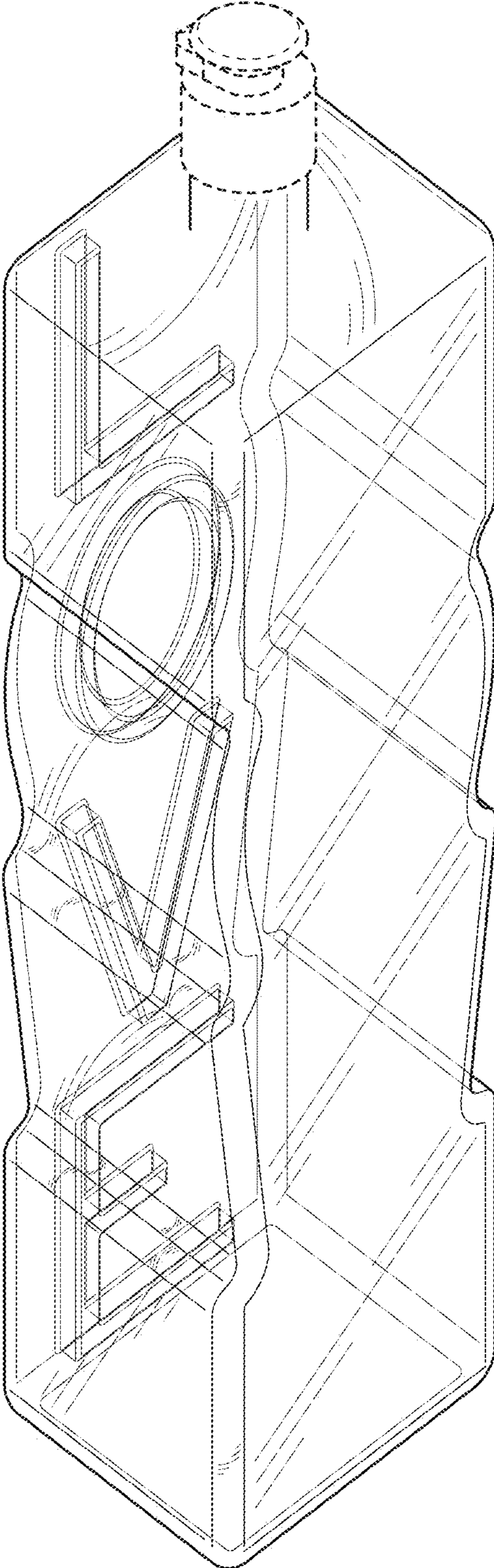


FIG. 1

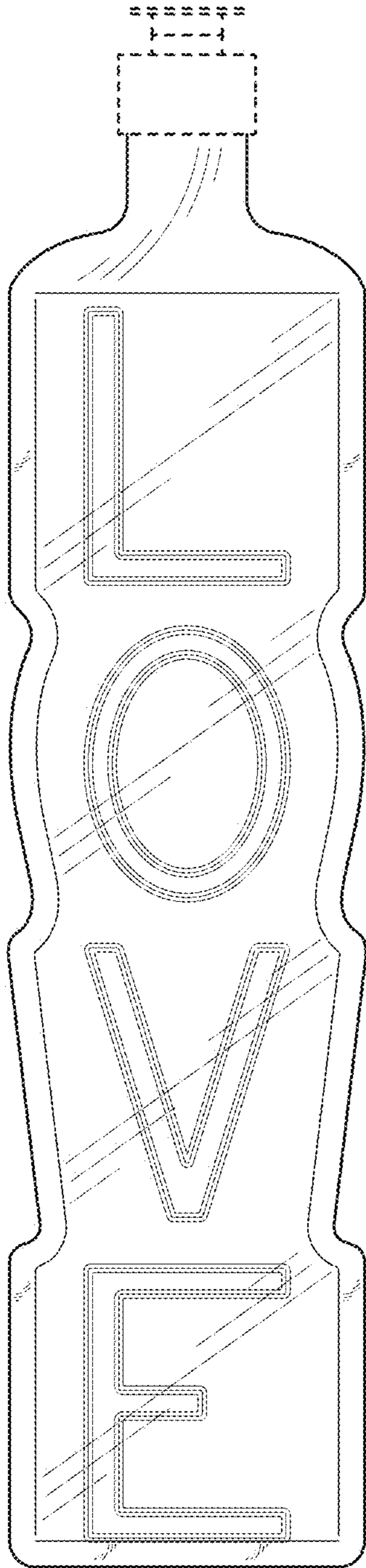


FIG. 2

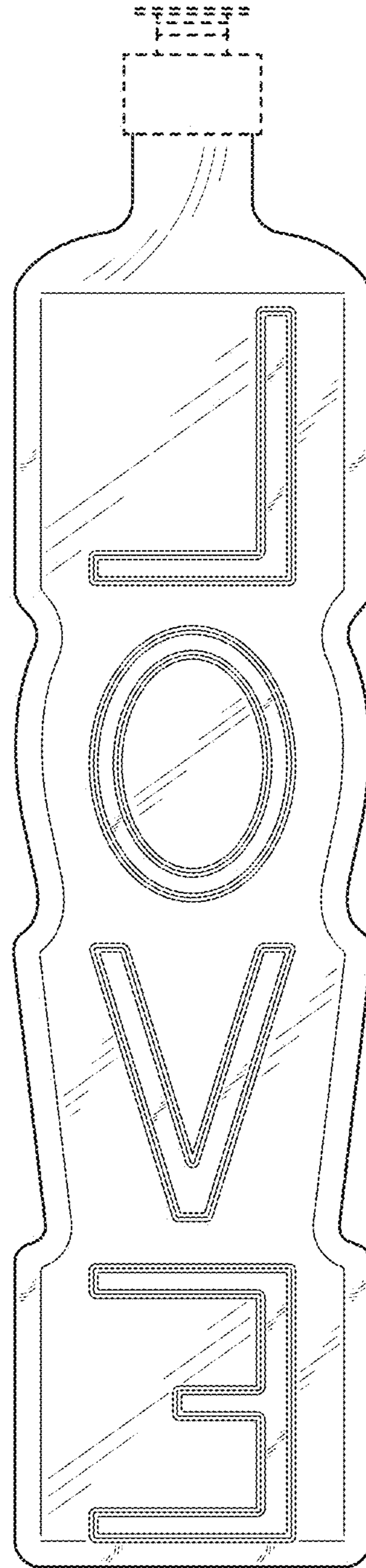


FIG. 3

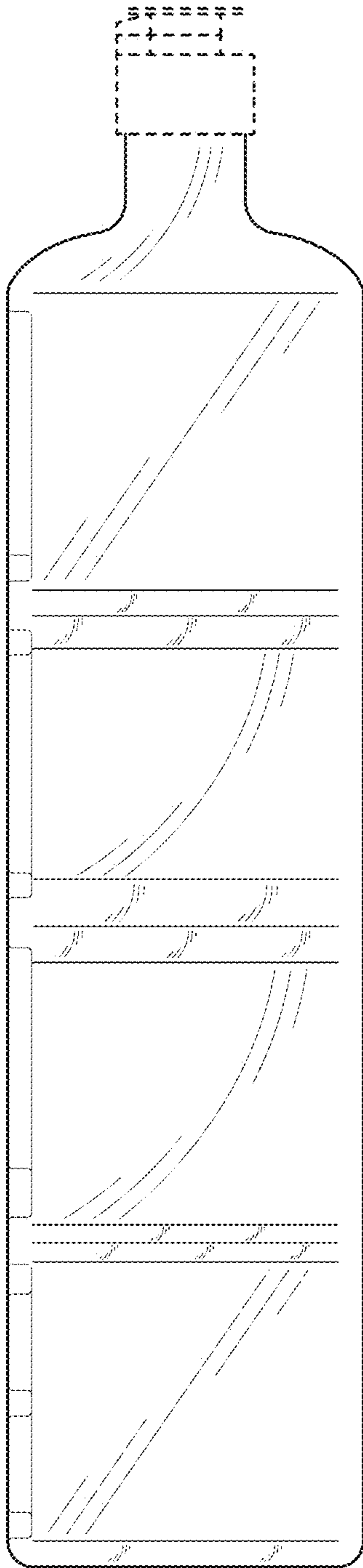


FIG. 4

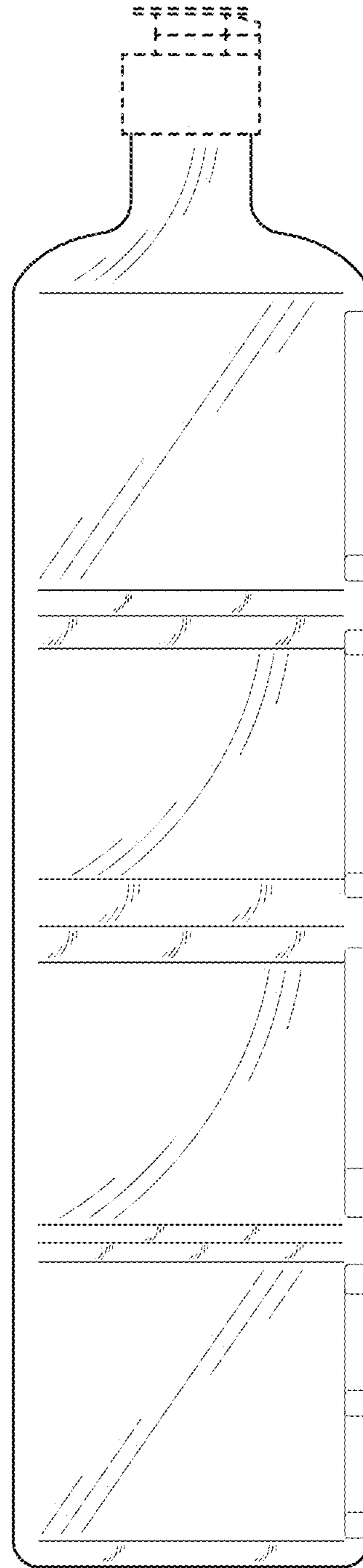


FIG. 5

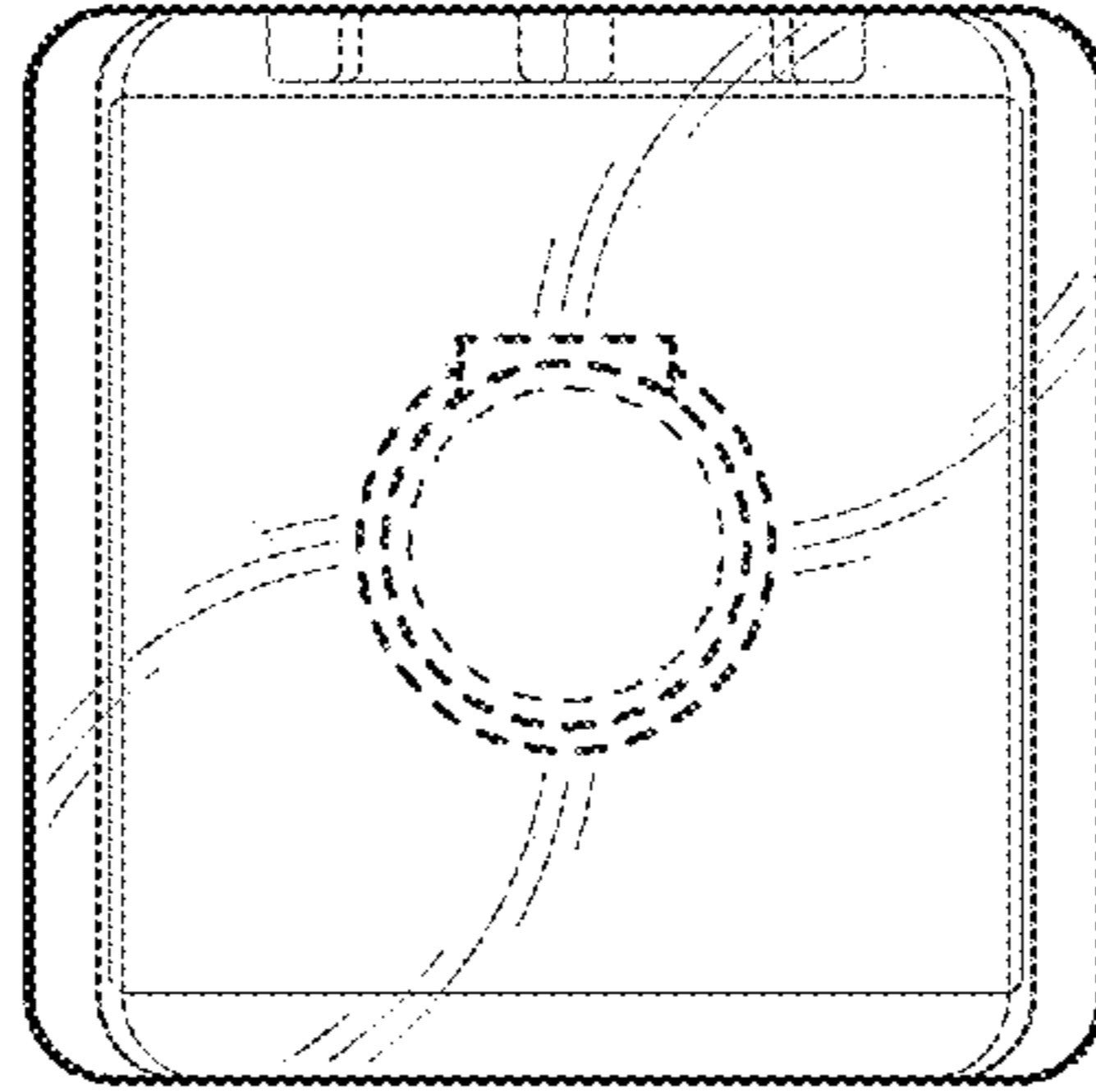


FIG. 6

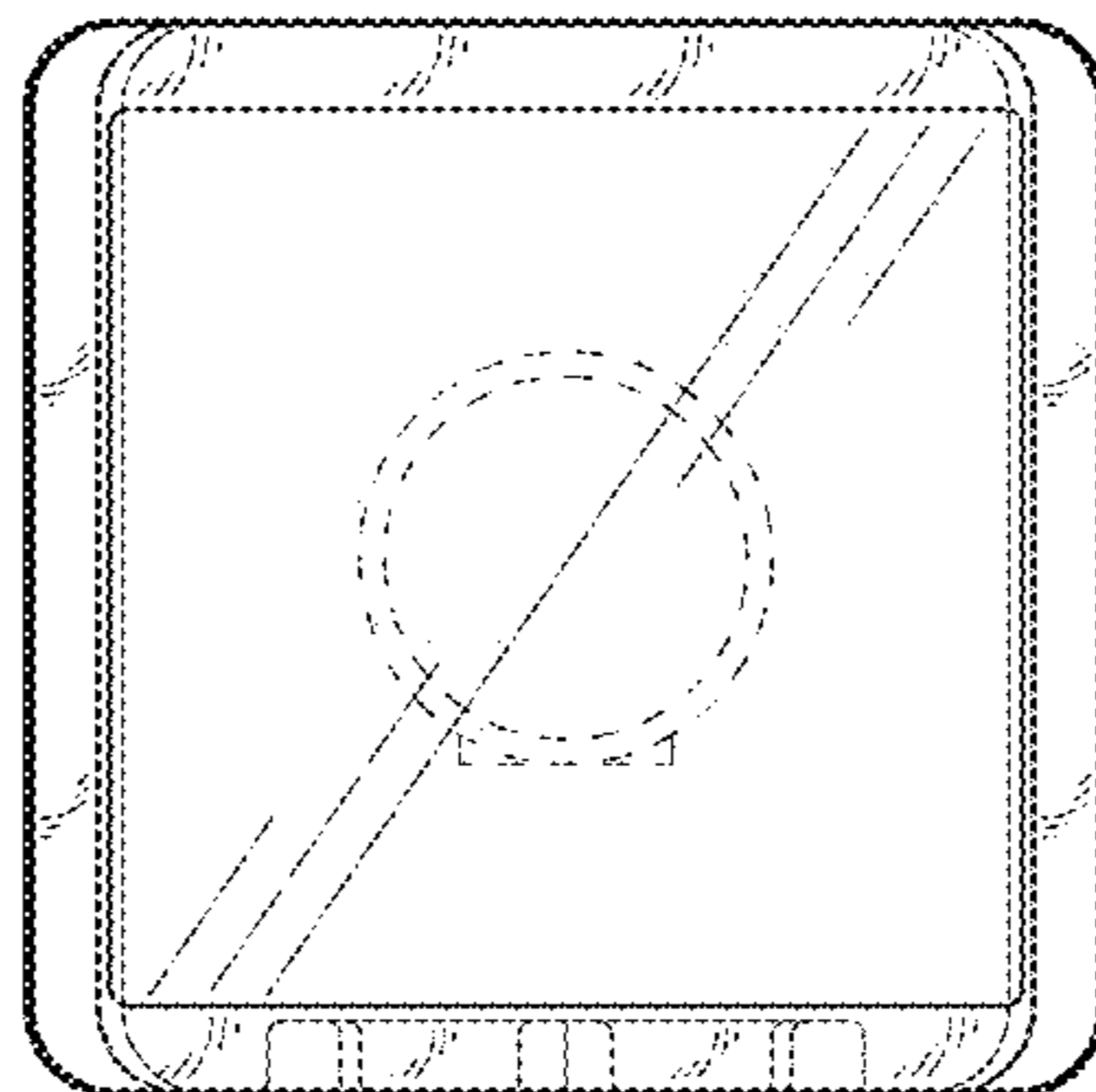


FIG. 7

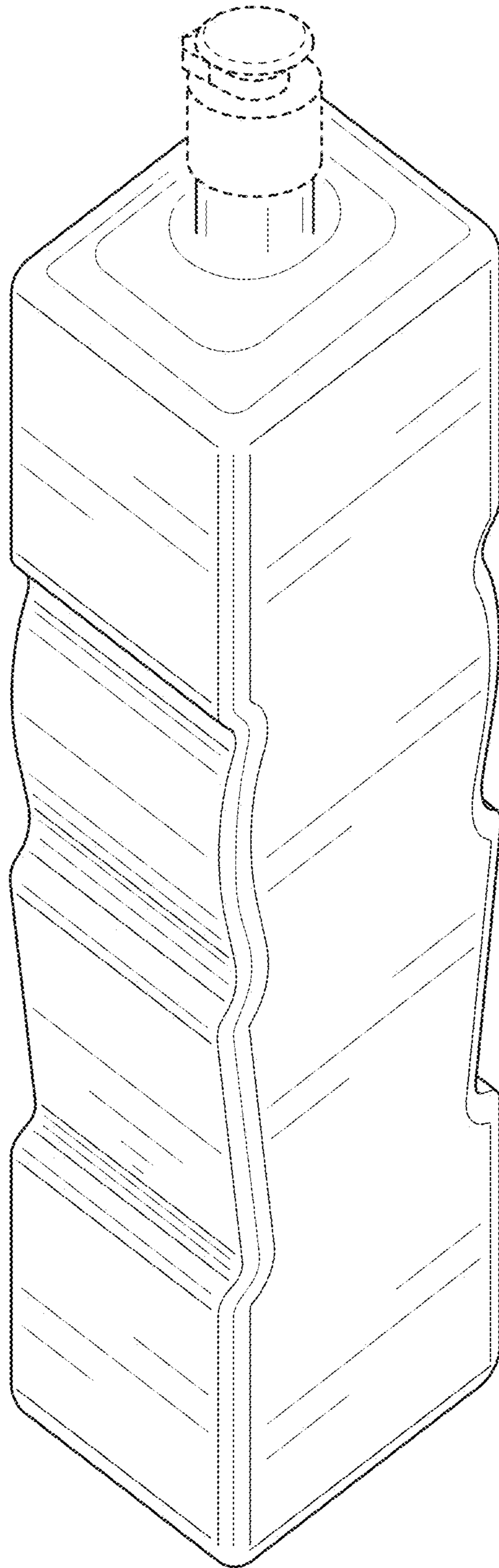


FIG. 8

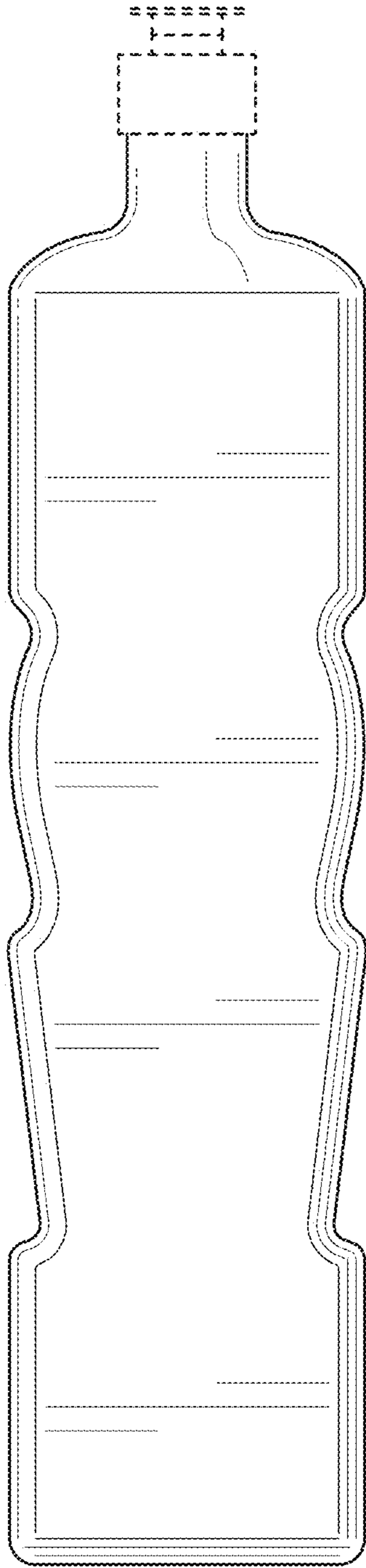


FIG. 9

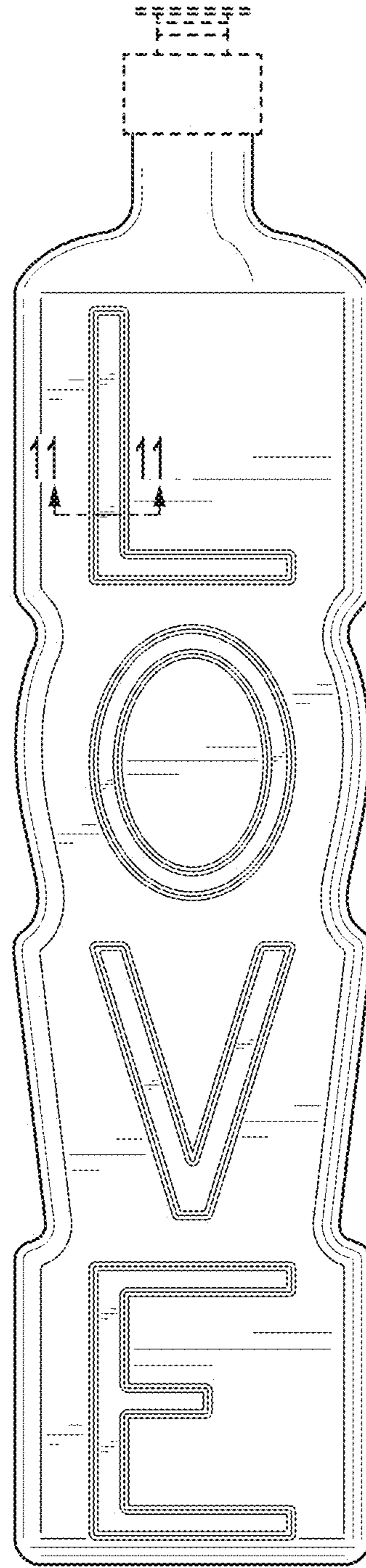


FIG. 10

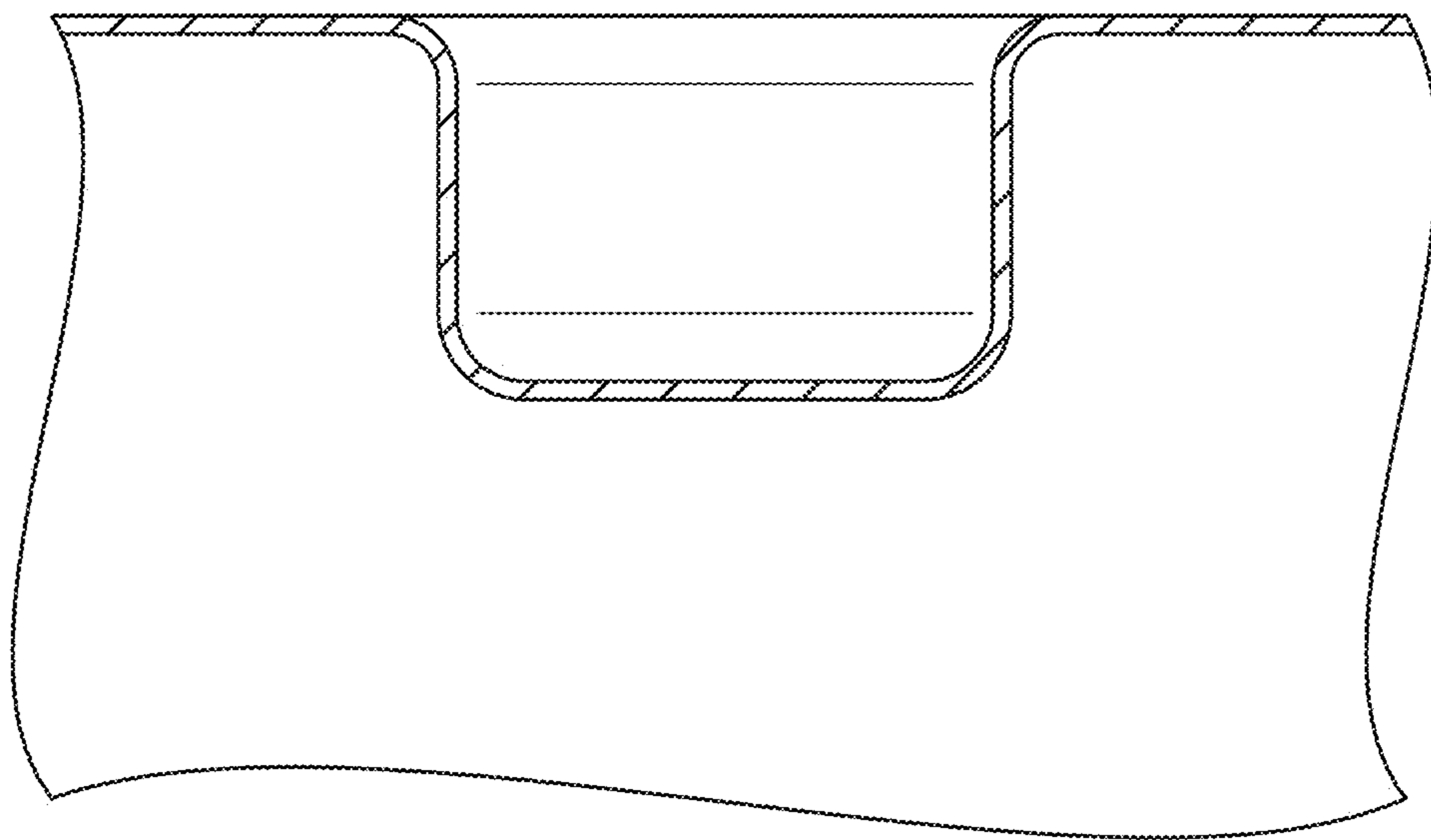


FIG. 11

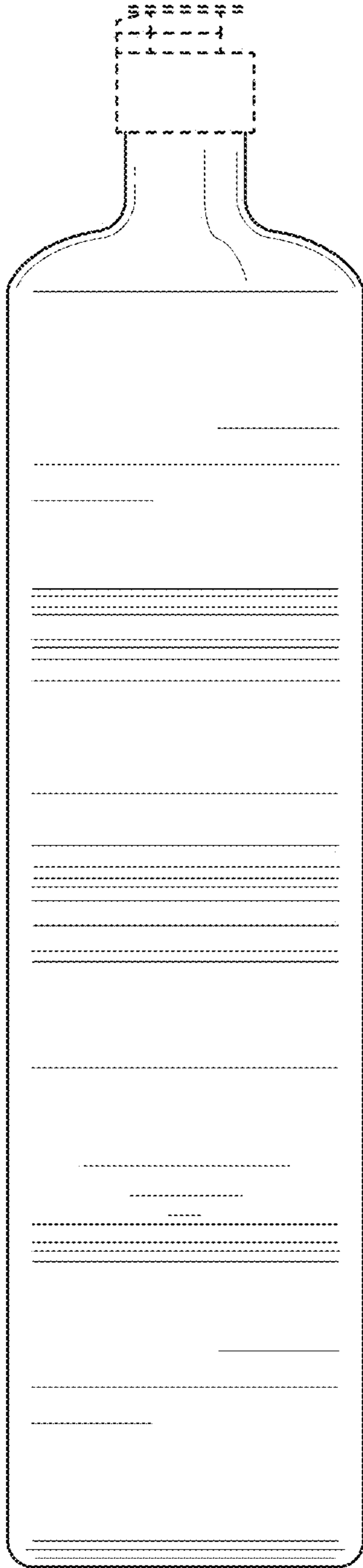


FIG. 12

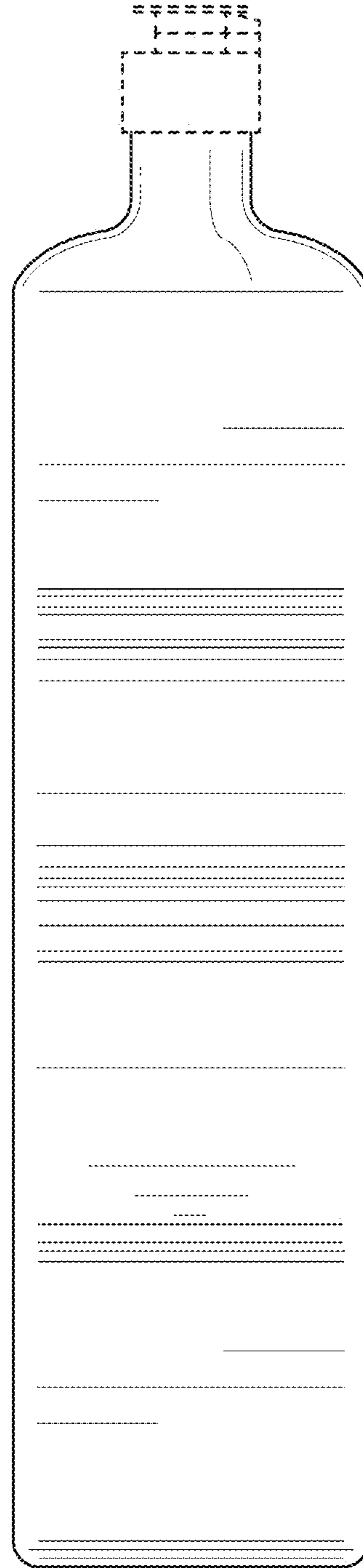


FIG. 13

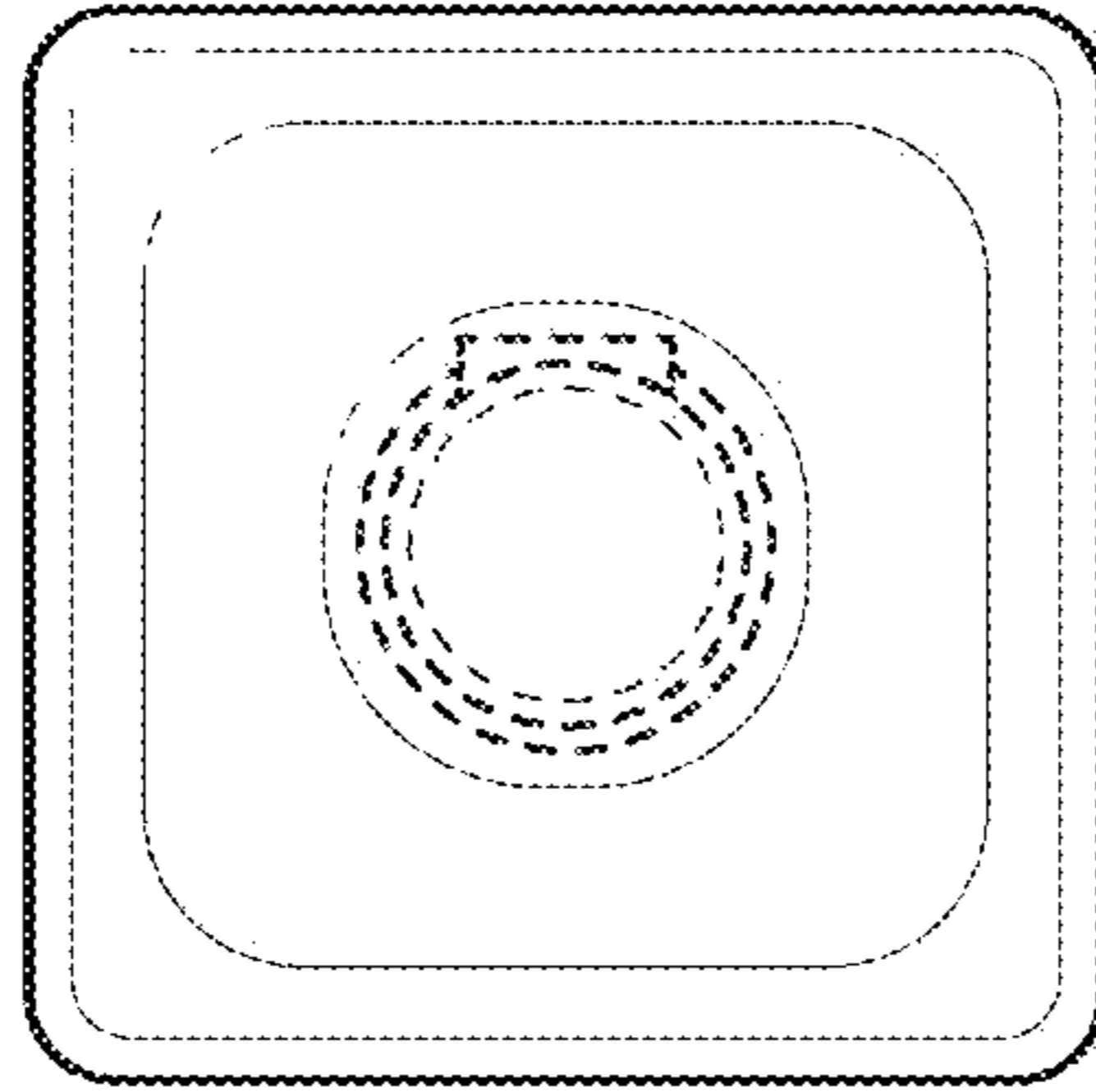


FIG. 14

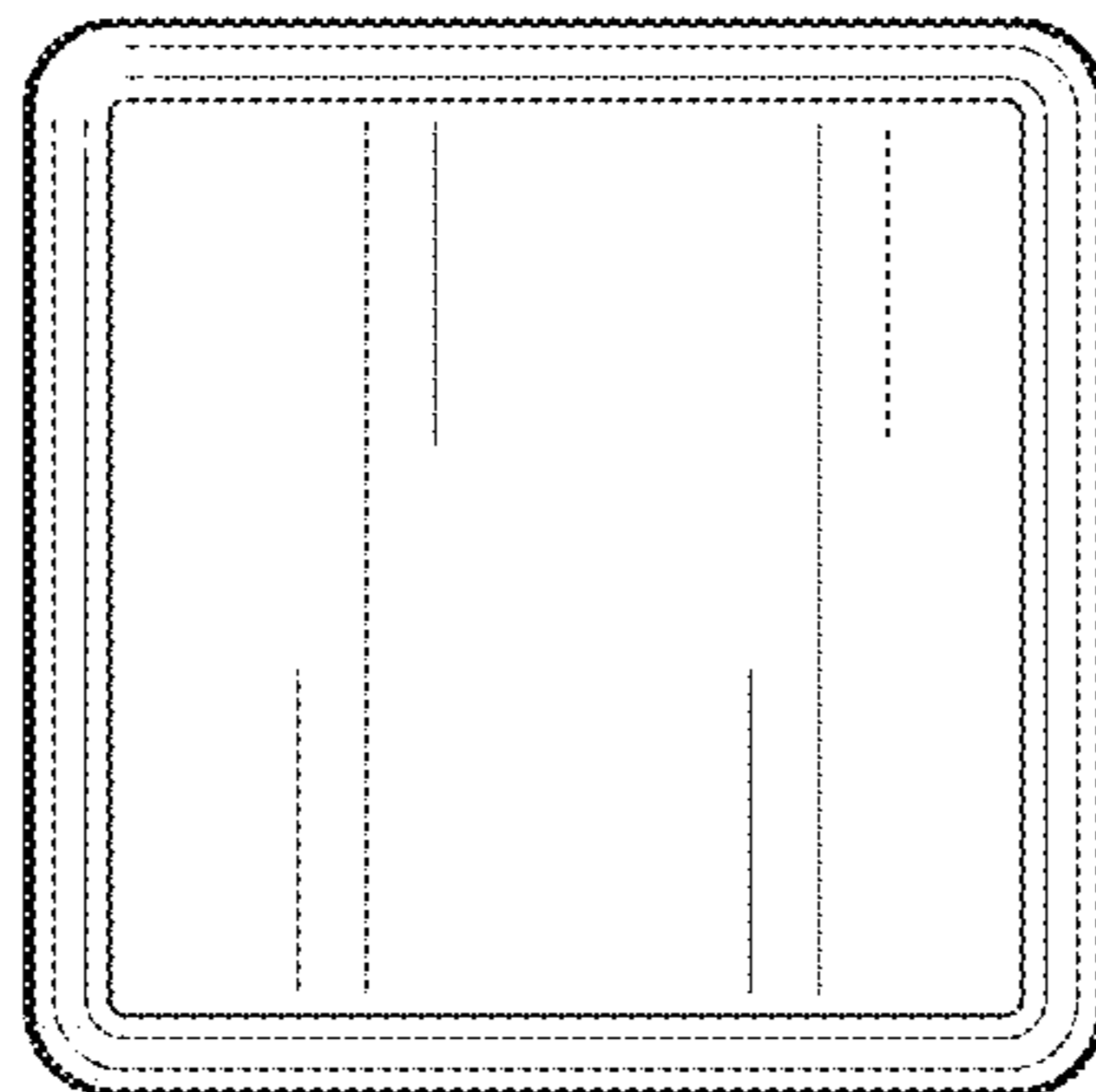


FIG. 15