



US00D908504S

(12) **United States Design Patent**
Margetis

(10) **Patent No.:** **US D908,504 S**
(45) **Date of Patent:** **** Jan. 26, 2021**

(54) **DISPENSING CONTAINER**

(71) Applicant: **Zarbee's, Inc.**, Greenwich, CT (US)
(72) Inventor: **Peter Margetis**, North Salem, NY (US)
(73) Assignee: **Zarbee's Inc.**, Greenwich, CT (US)
(**) Term: **15 Years**
(21) Appl. No.: **29/642,968**

(22) Filed: **Apr. 3, 2018**
(51) **LOC (13) Cl.** **09-01**
(52) **U.S. Cl.**
USPC **D9/558**; D9/517; D9/529; D9/562
(58) **Field of Classification Search**
USPC D9/434-435, 454, 500-504, 516, 529,
D9/549, 557-559, 562, 574-575, 682,
(Continued)

(56) **References Cited**

U.S. PATENT DOCUMENTS

D86,306 S * 2/1932 Fuerst D9/502
D158,332 S * 4/1950 Schmidt D9/772
(Continued)

Primary Examiner — Dana Meyrow

(74) *Attorney, Agent, or Firm* — Michelle Cristaldi

(57) **CLAIM**

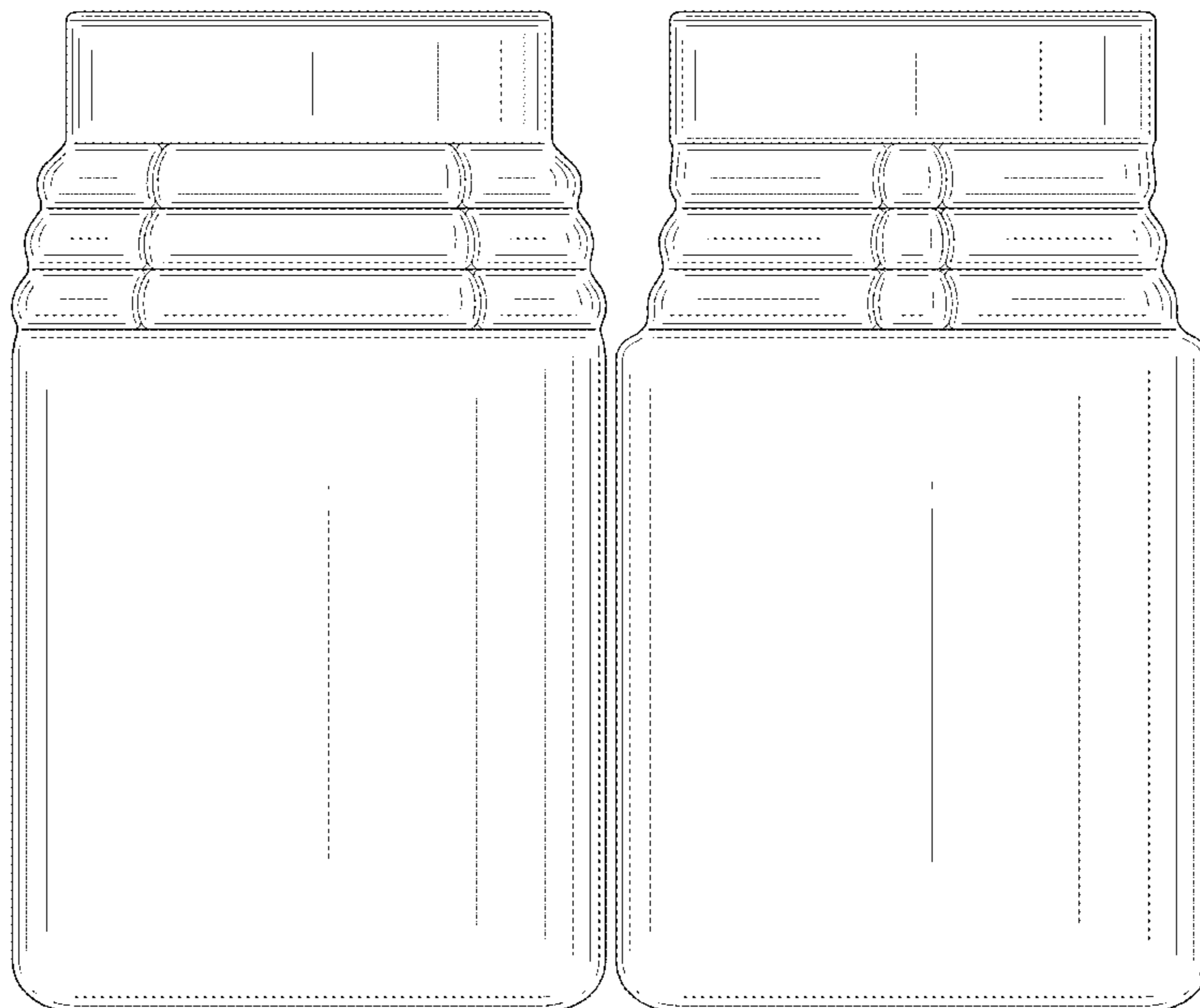
The ornamental design for a dispensing container, as shown and described.

DESCRIPTION

FIG. 1 is a perspective view of an embodiment of a dispensing container according to the claimed design;

FIG. 2 is a front view of the dispensing container of FIG. 1, the rear view being identical;
FIG. 3 is a left side view of the dispensing container of FIG. 1, the right side view being identical;
FIG. 4 is a top view of the dispensing container of FIG. 1;
FIG. 5 is a bottom view of the dispensing container of FIG. 1;
FIG. 6 is a perspective view of another embodiment of a dispensing container according to the claimed design;
FIG. 7 is a front view of the dispensing container of FIG. 6, the rear view being identical;
FIG. 8 is a left side view of the dispensing container of FIG. 6, the right side view being identical;
FIG. 9 is a top view of the dispensing container of FIG. 6;
FIG. 10 is a bottom view of the dispensing container of FIG. 6;
FIG. 11 is a perspective view of another embodiment of a dispensing container according to the claimed design;
FIG. 12 is a front view of the dispensing container of FIG. 11, the rear view being identical;
FIG. 13 is a left side view of the dispensing container of FIG. 11, the right side view being identical;
FIG. 14 is a top view of the dispensing container of FIG. 11;
FIG. 15 is a bottom view of the dispensing container of FIG. 11;
FIG. 16 is a perspective view of another embodiment of the dispensing container according to the claimed design;
FIG. 17 is a front view of the dispensing container of FIG. 16, the rear view being identical;
FIG. 18 is a left side view of the dispensing container of FIG. 16, the right side view being identical;
FIG. 19 is a top view of the dispensing container of FIG. 16;
and,
FIG. 20 is a bottom view of the dispensing container of FIG. 16.
The features shown in broken lines represent portions of the dispensing container which form no part of the claimed design.

1 Claim, 16 Drawing Sheets



(58) **Field of Classification Search**

USPC D9/690, 715, 719, 763-764, 772,
D9/779-780; D23/211.1, 341, 390;
D26/8, 114, 116; D7/608, 629-630
CPC B65D 1/00; B65D 1/02; B65D 1/0223;
B65D 23/00; B65D 81/00; B65D
2501/00; B65D 2501/0009; F23D 3/04;
F23D 3/08; F23D 3/18; F23D 3/22; F23D
3/24; F23D 3/26

See application file for complete search history.

(56) **References Cited**

U.S. PATENT DOCUMENTS

D177,493	S	*	4/1956	Burnside	D24/224
D228,627	S	*	10/1973	Weckman	D9/500
D246,030	S	*	10/1977	Sexton	D9/772
D246,229	S	*	11/1977	Saunders	D9/772
D335,451	S	*	5/1993	Schmidt	D9/502
D336,855	S	*	6/1993	Tacconelli	D9/454
D342,680	S	*	12/1993	Pereira	D9/557
D392,893	S	*	3/1998	Kuzma	D9/538
D424,444	S	*	5/2000	Lefebvre	D9/503

* cited by examiner

FIG. 1

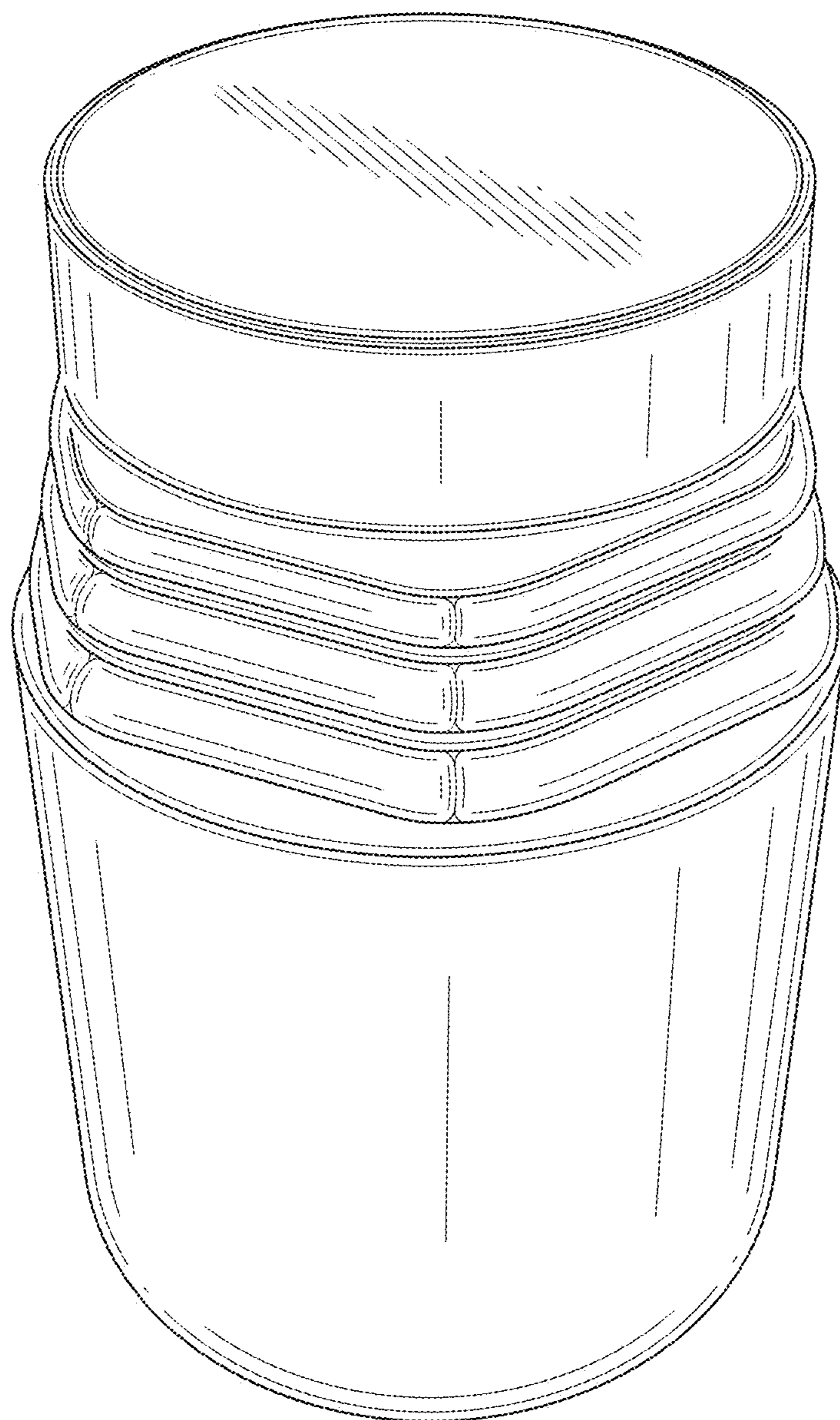


FIG. 2

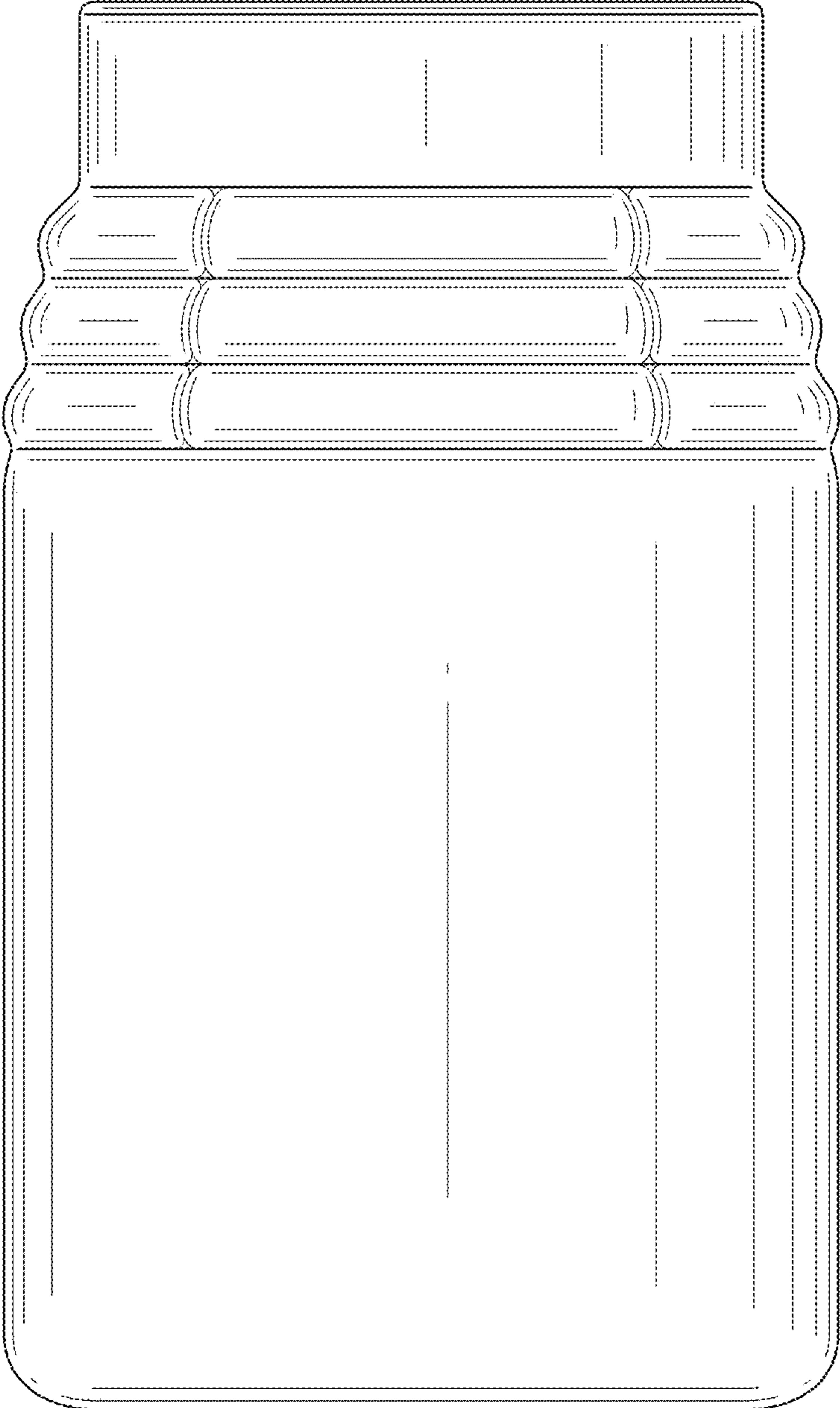


FIG. 3

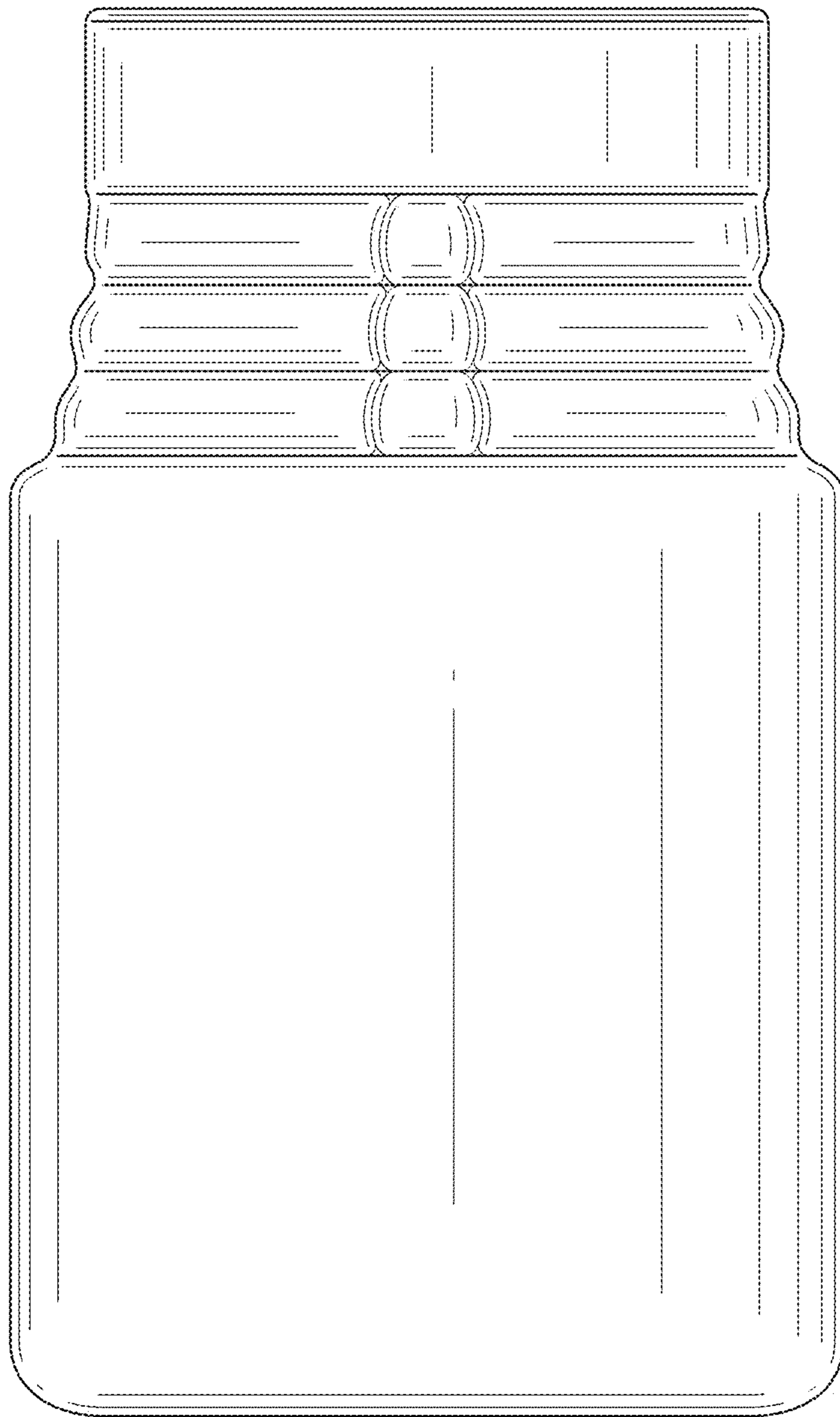


FIG. 4

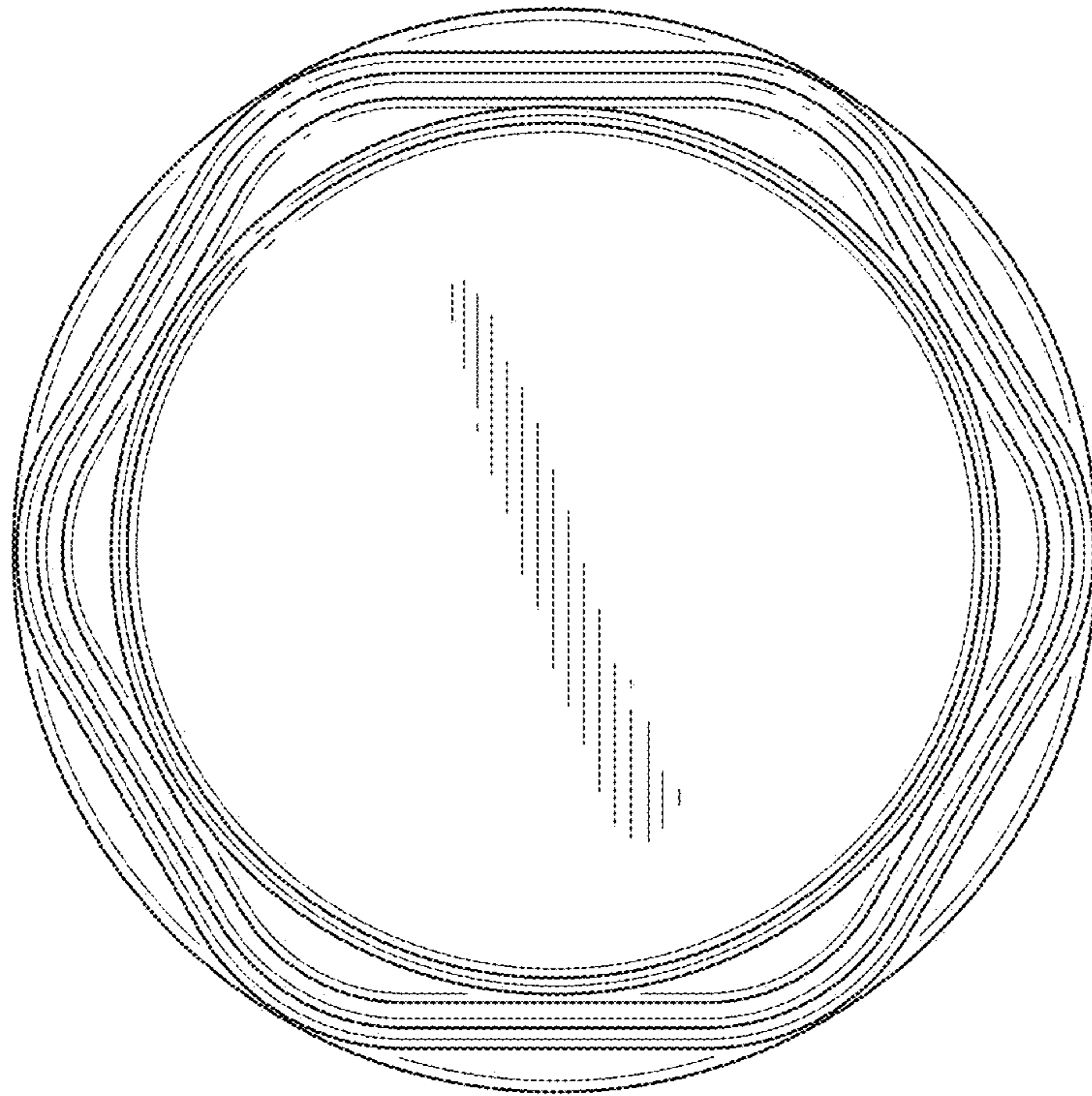


FIG. 5

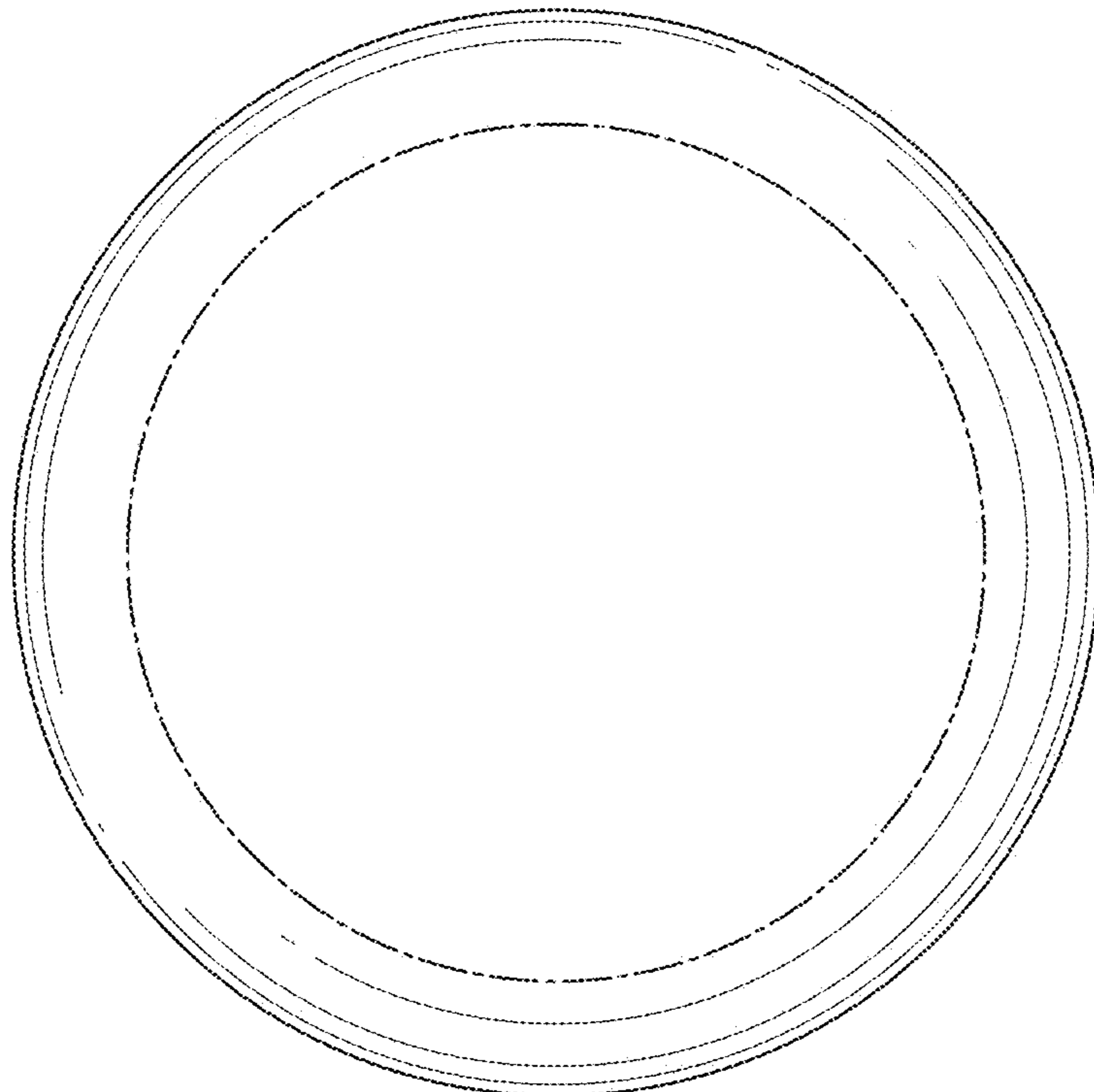


FIG. 6

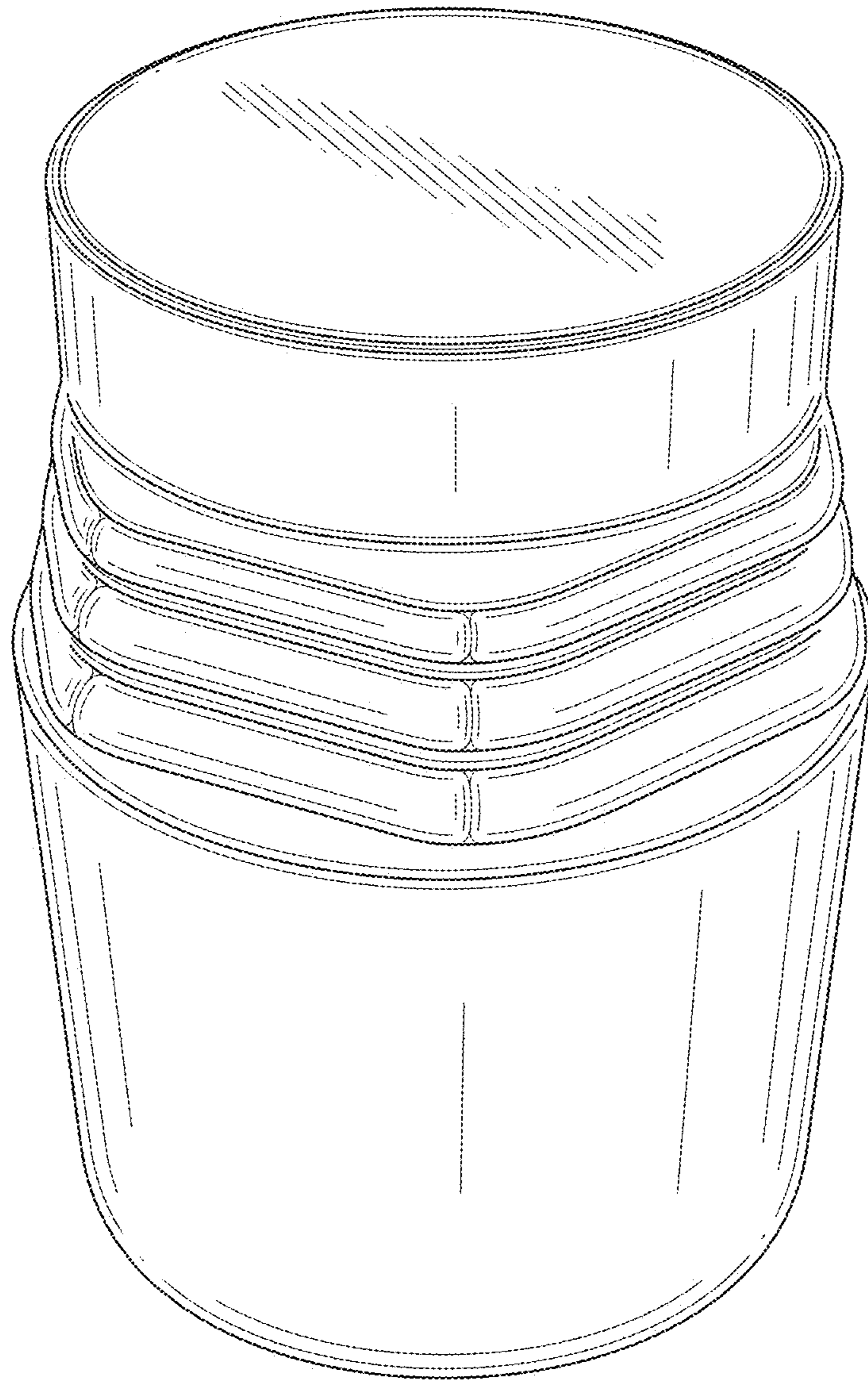


FIG. 7

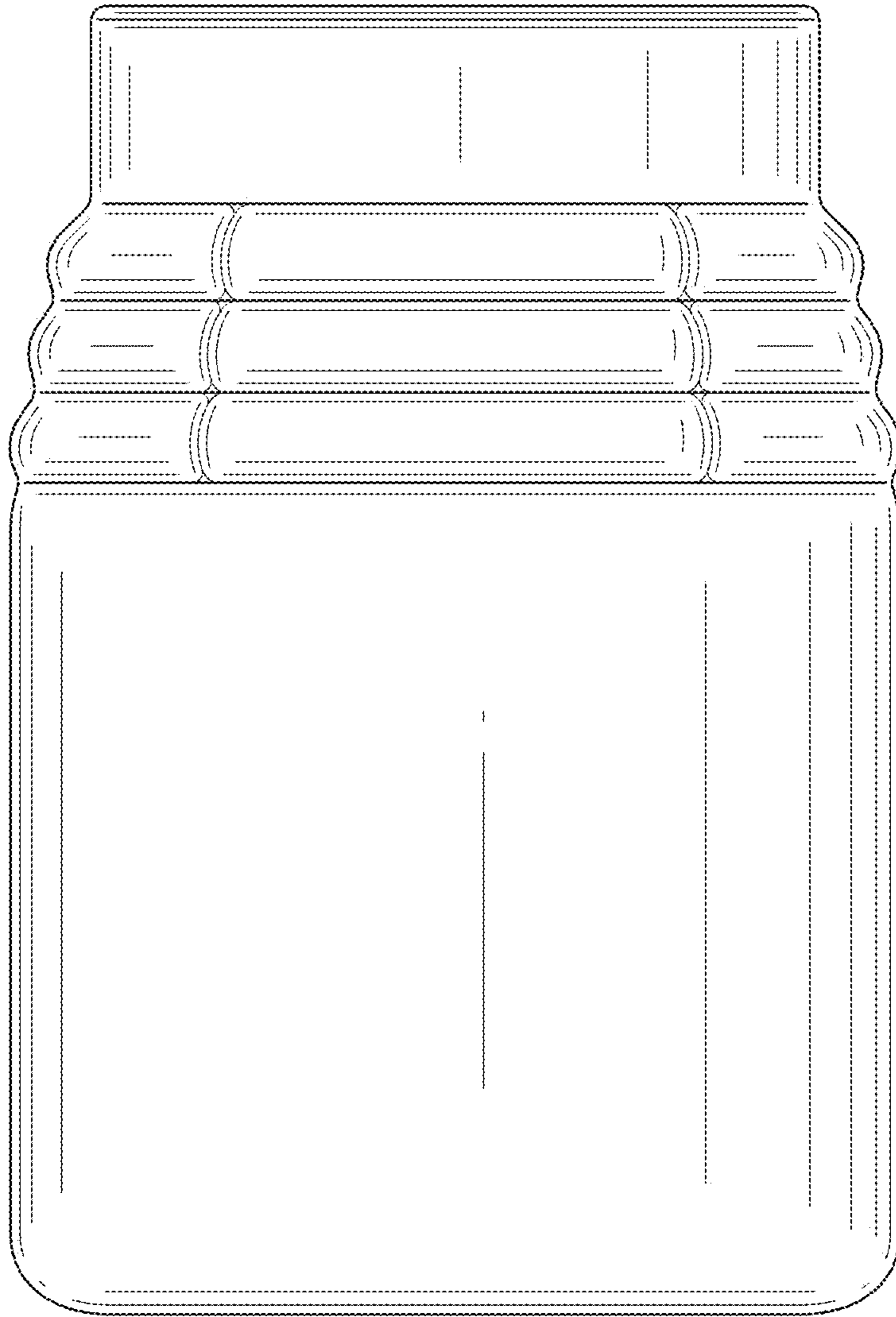


FIG. 8

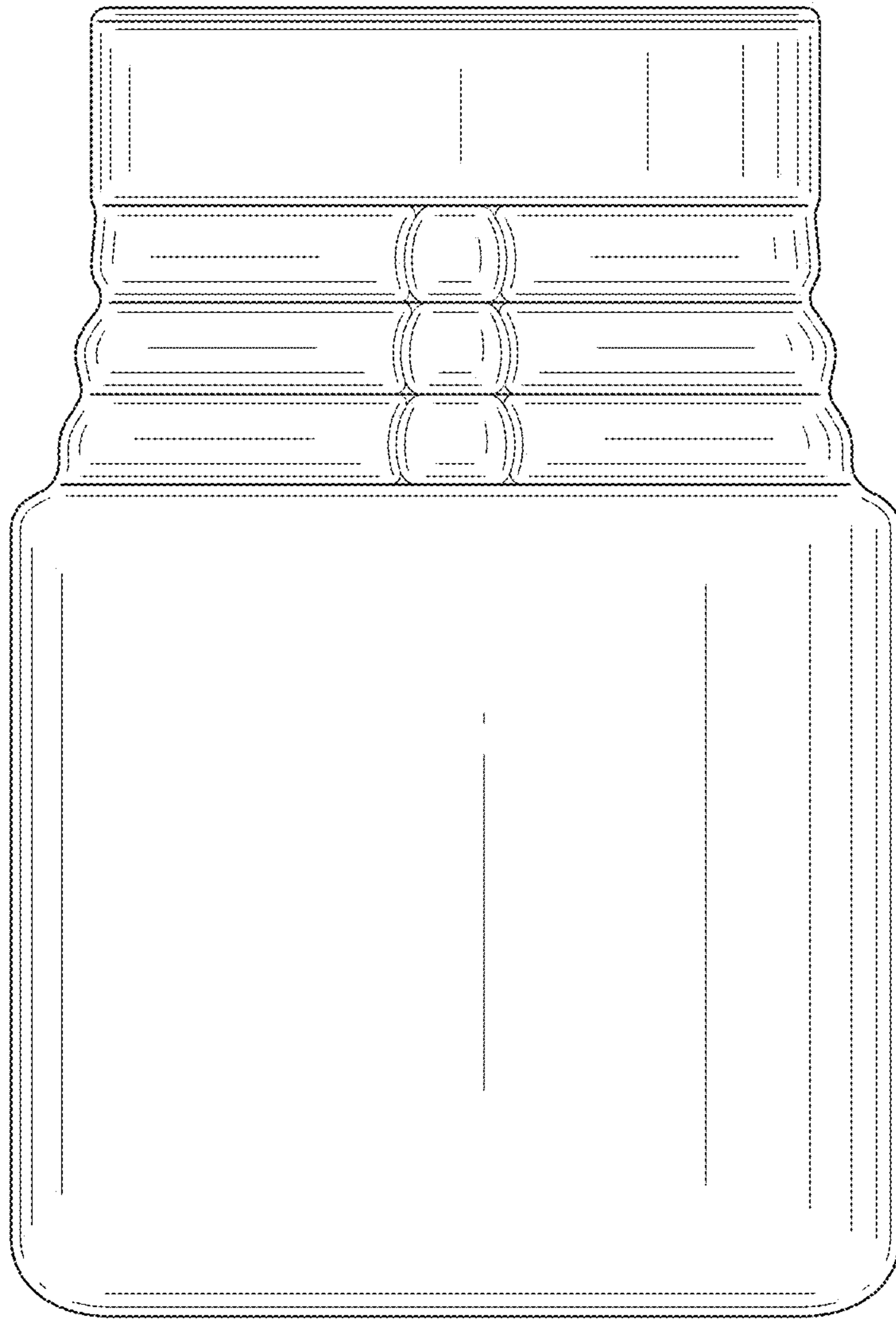


FIG. 9

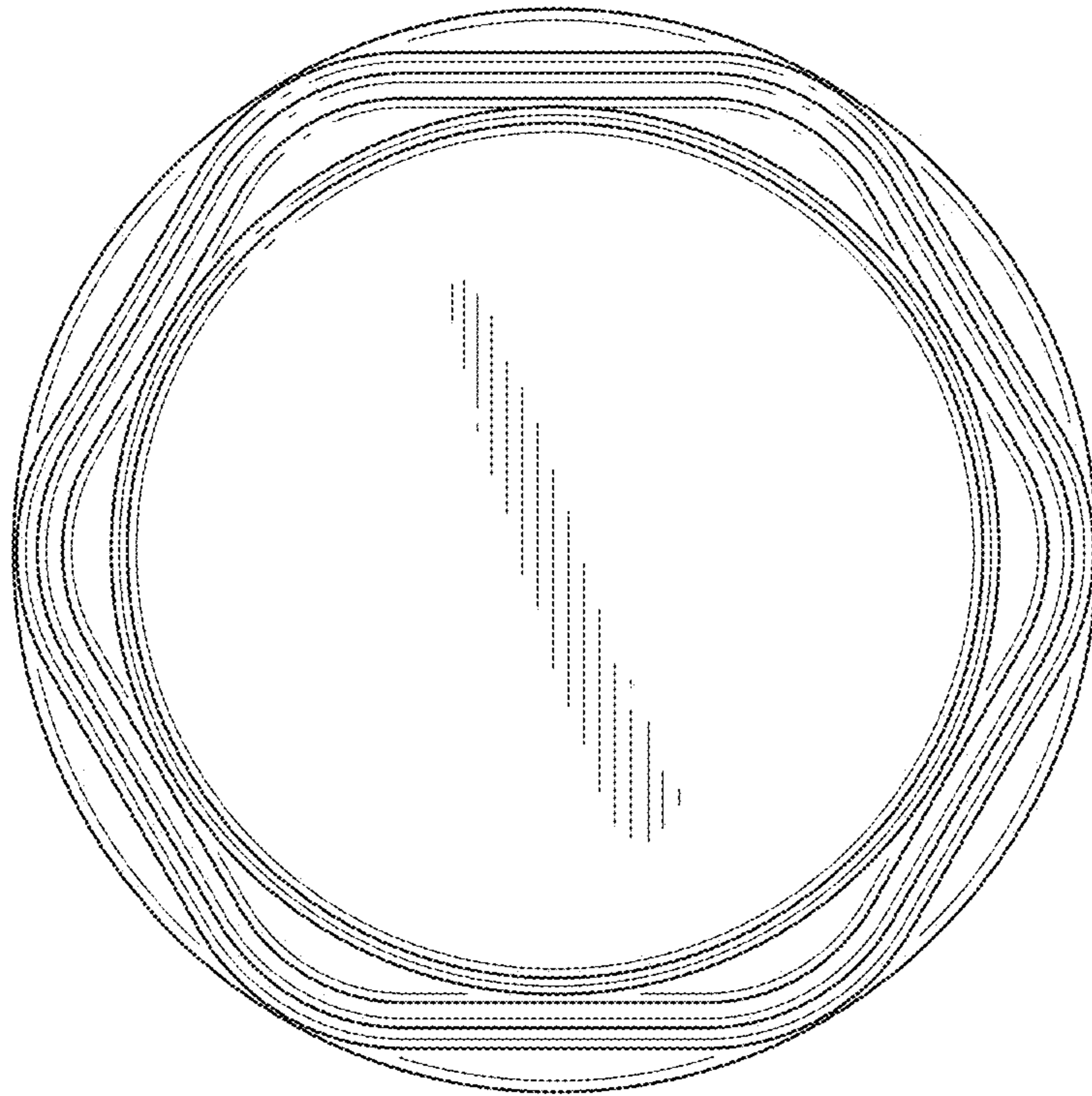


FIG. 10

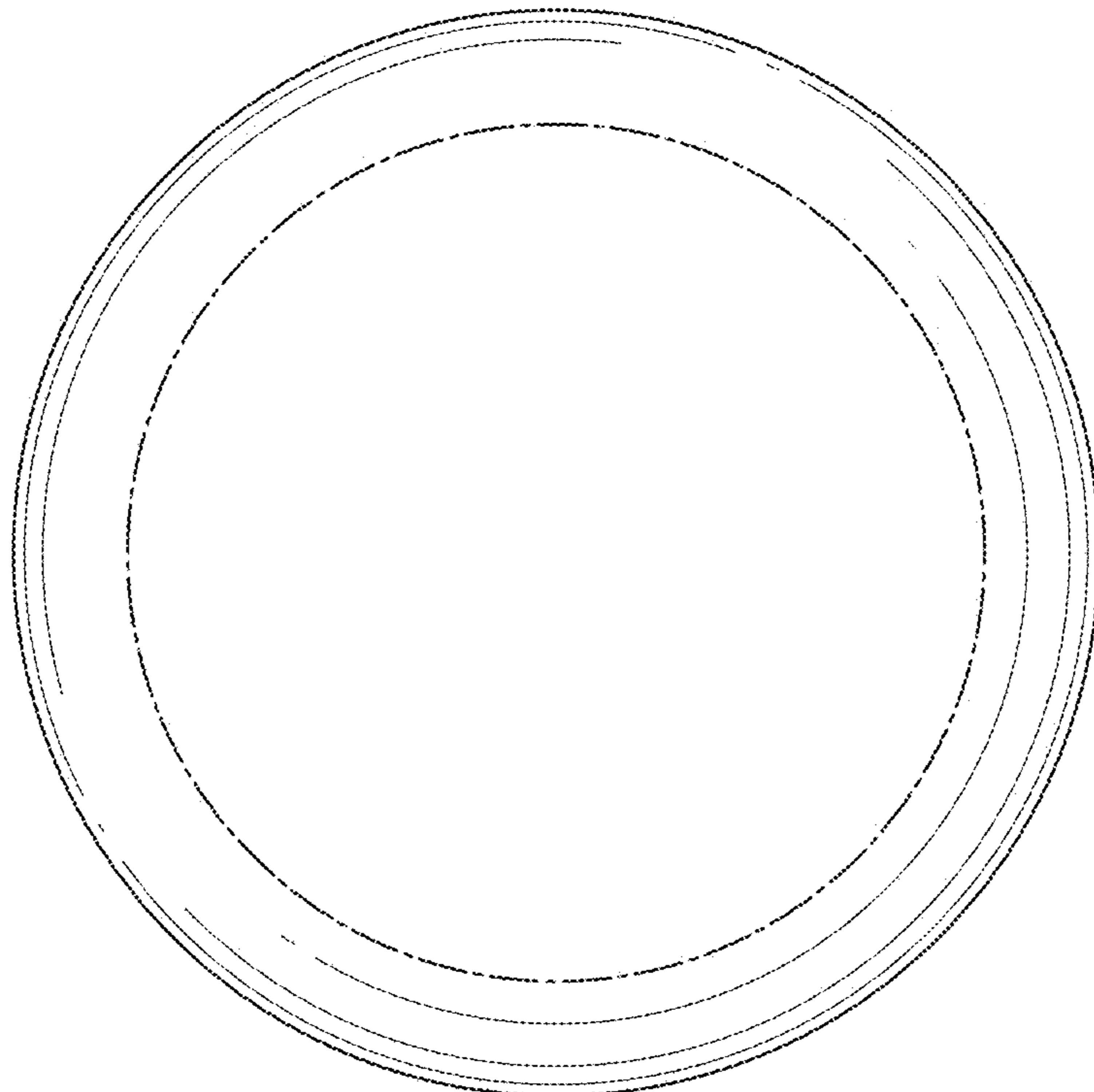


FIG. 11

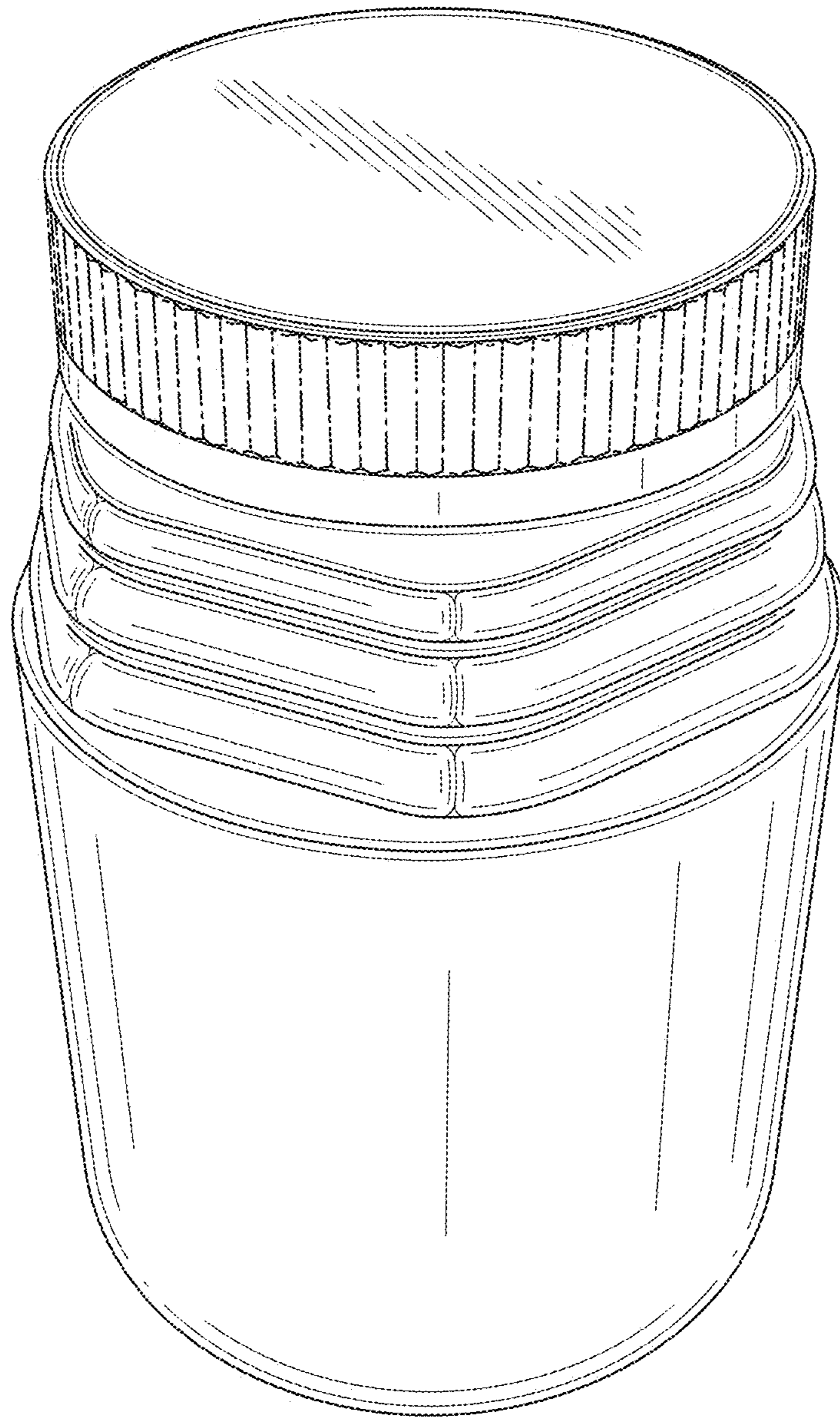


FIG. 12

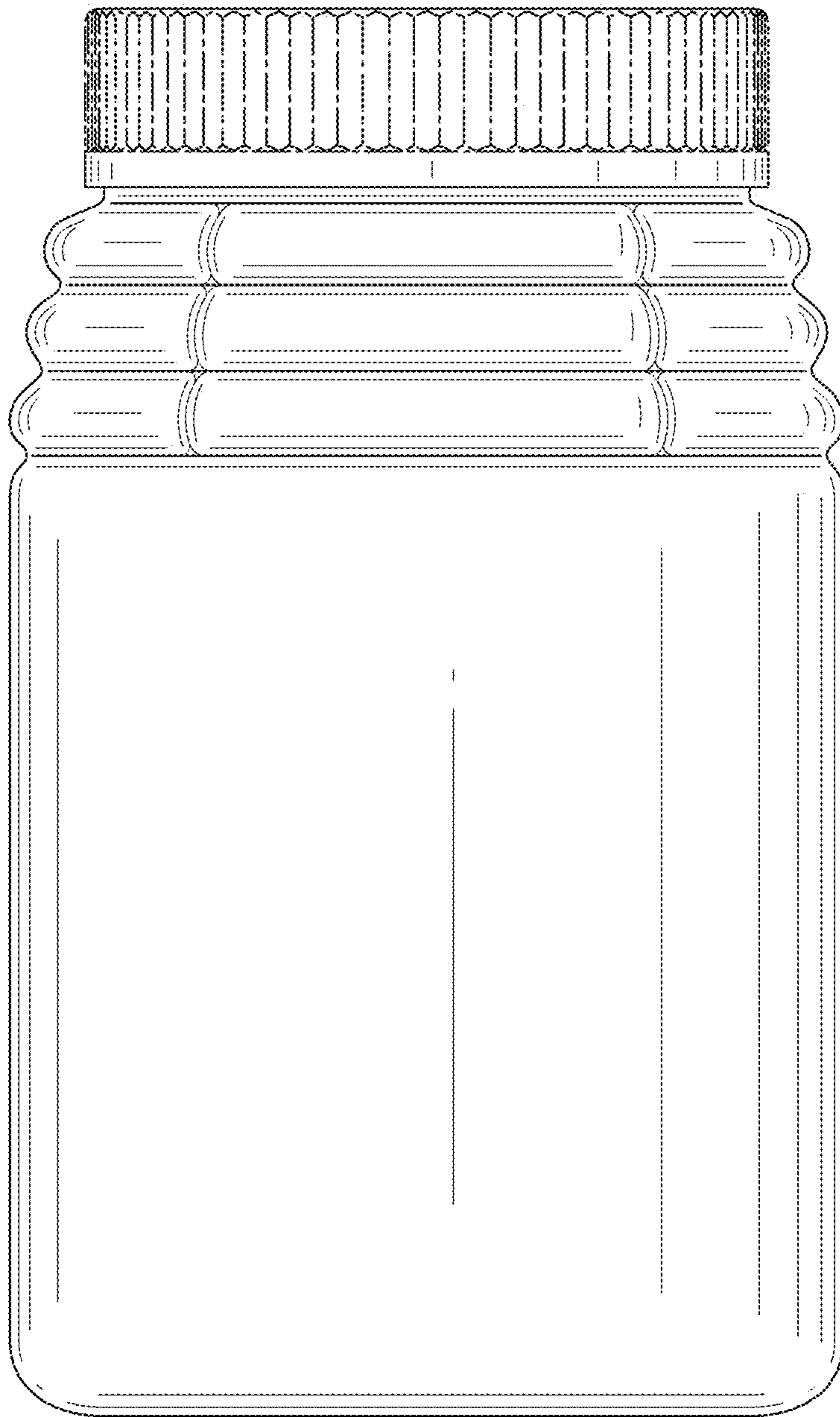


FIG. 13

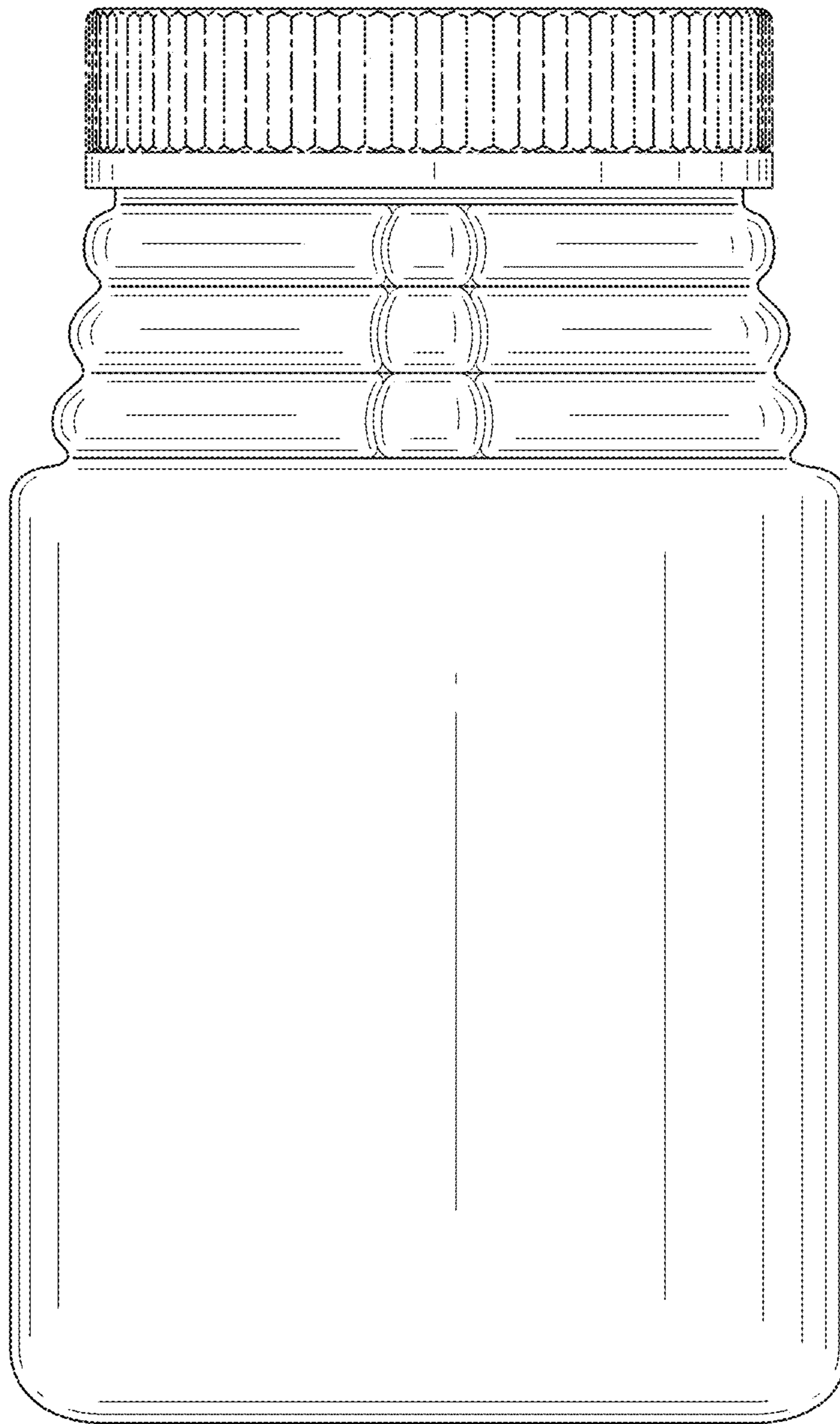


FIG. 14

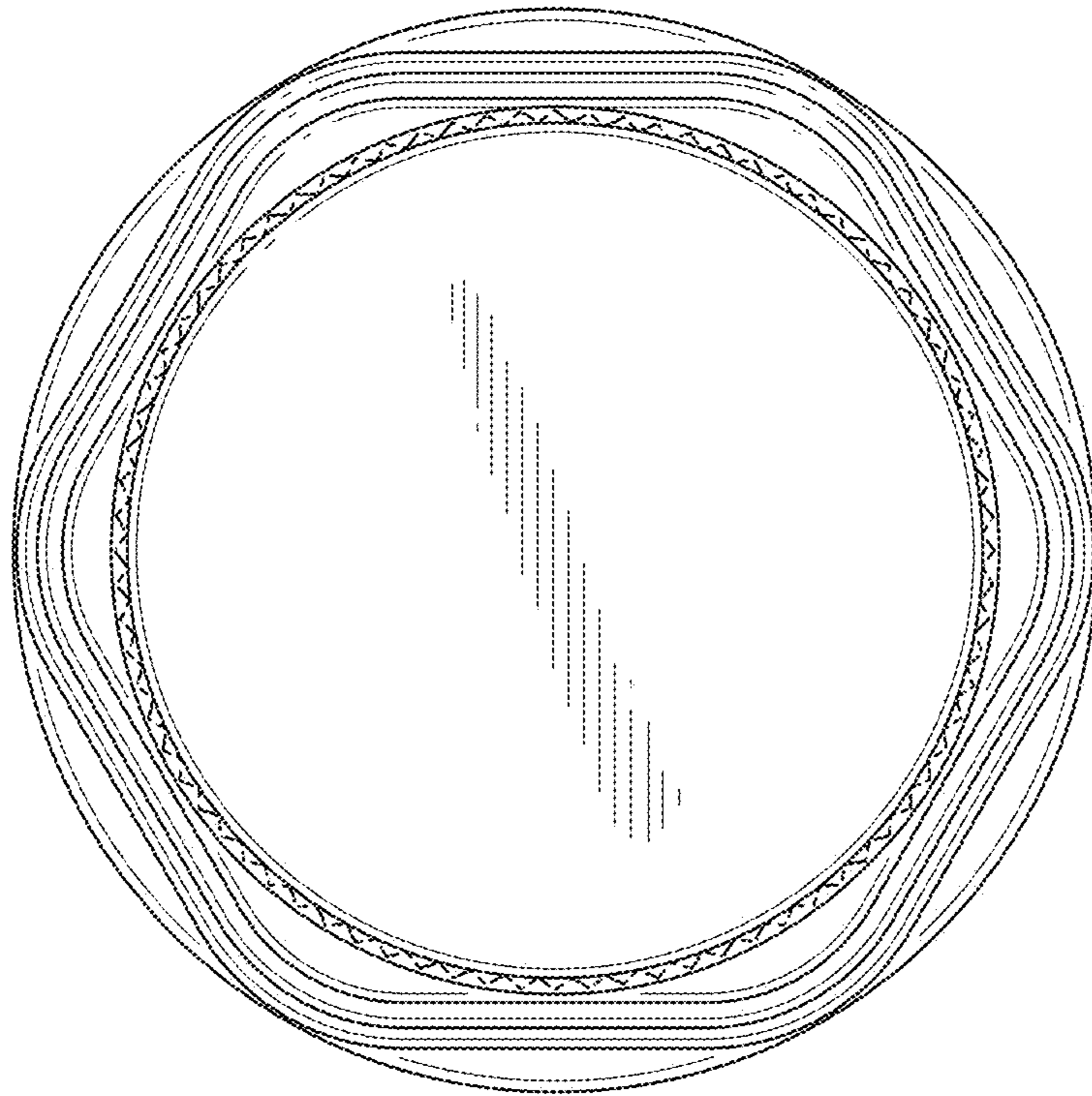


FIG. 15

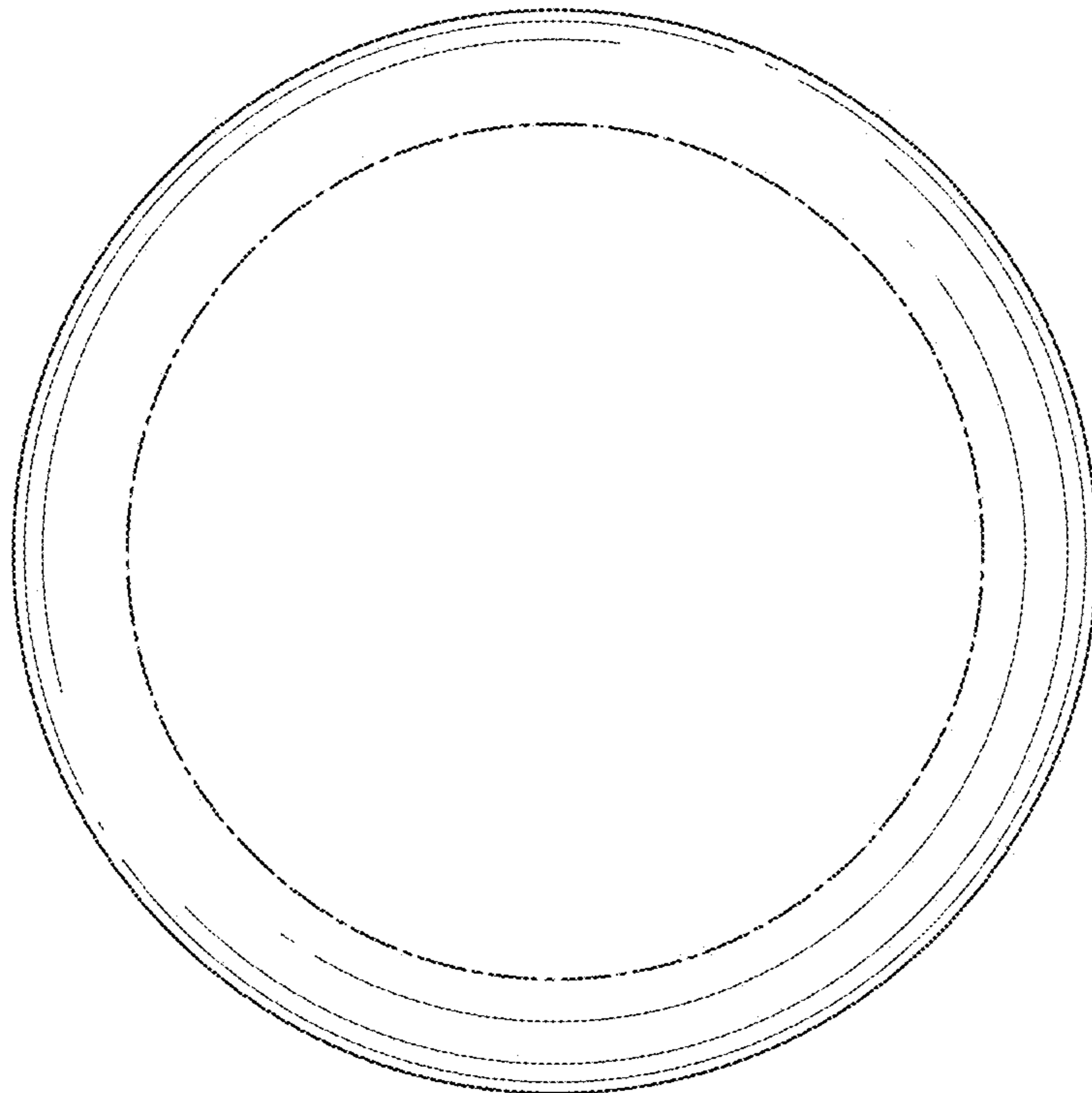


FIG. 16

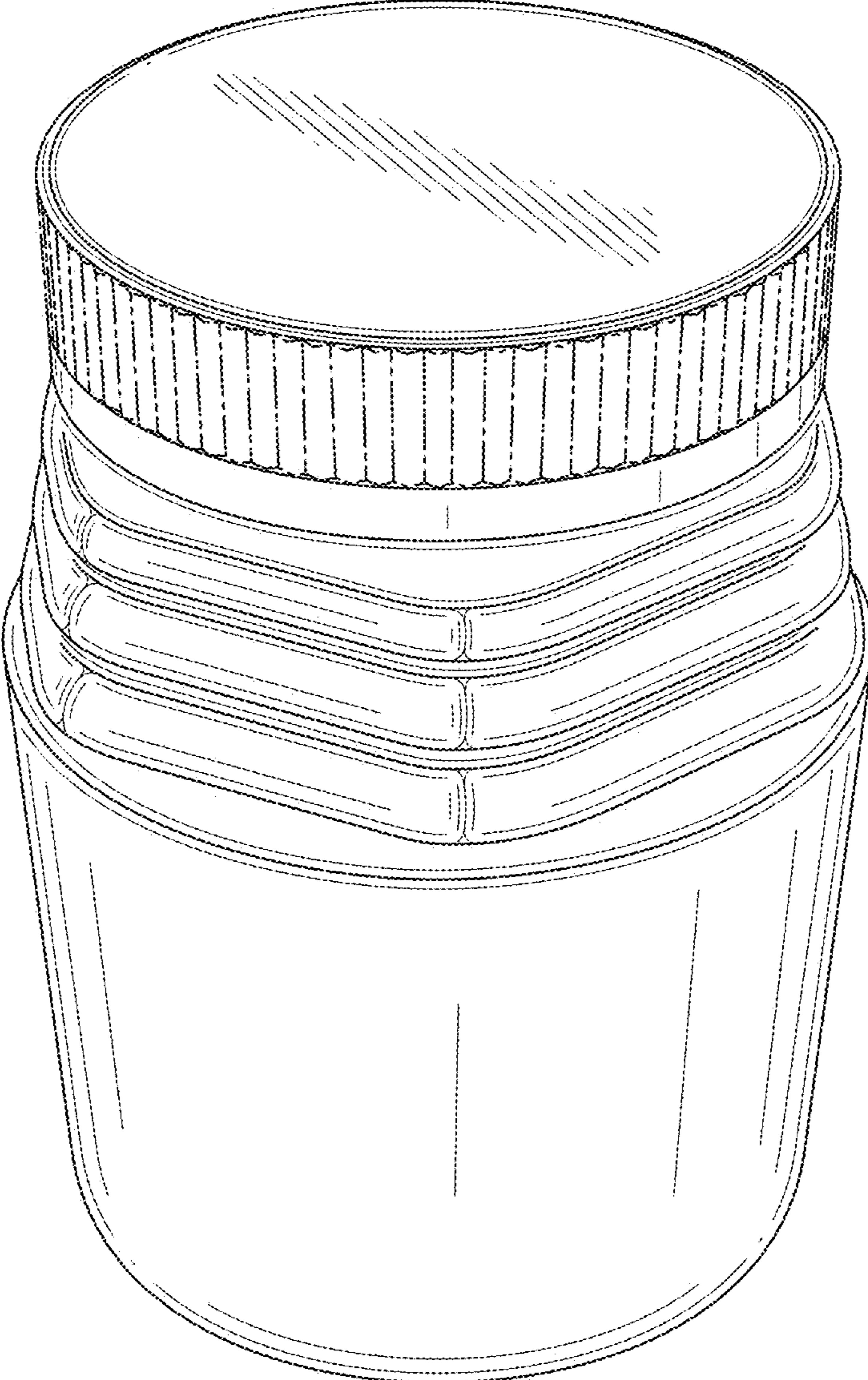


FIG. 17

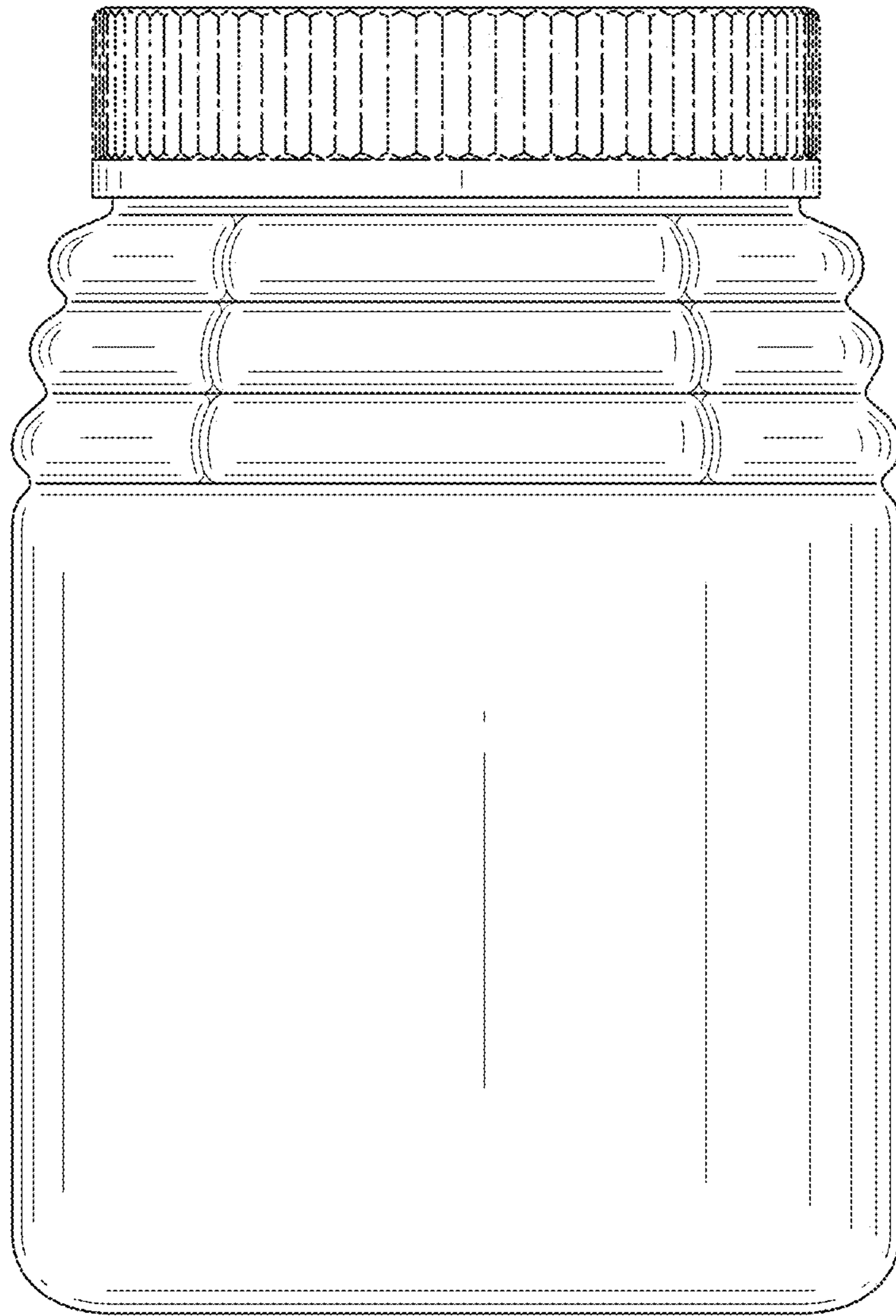


FIG. 18

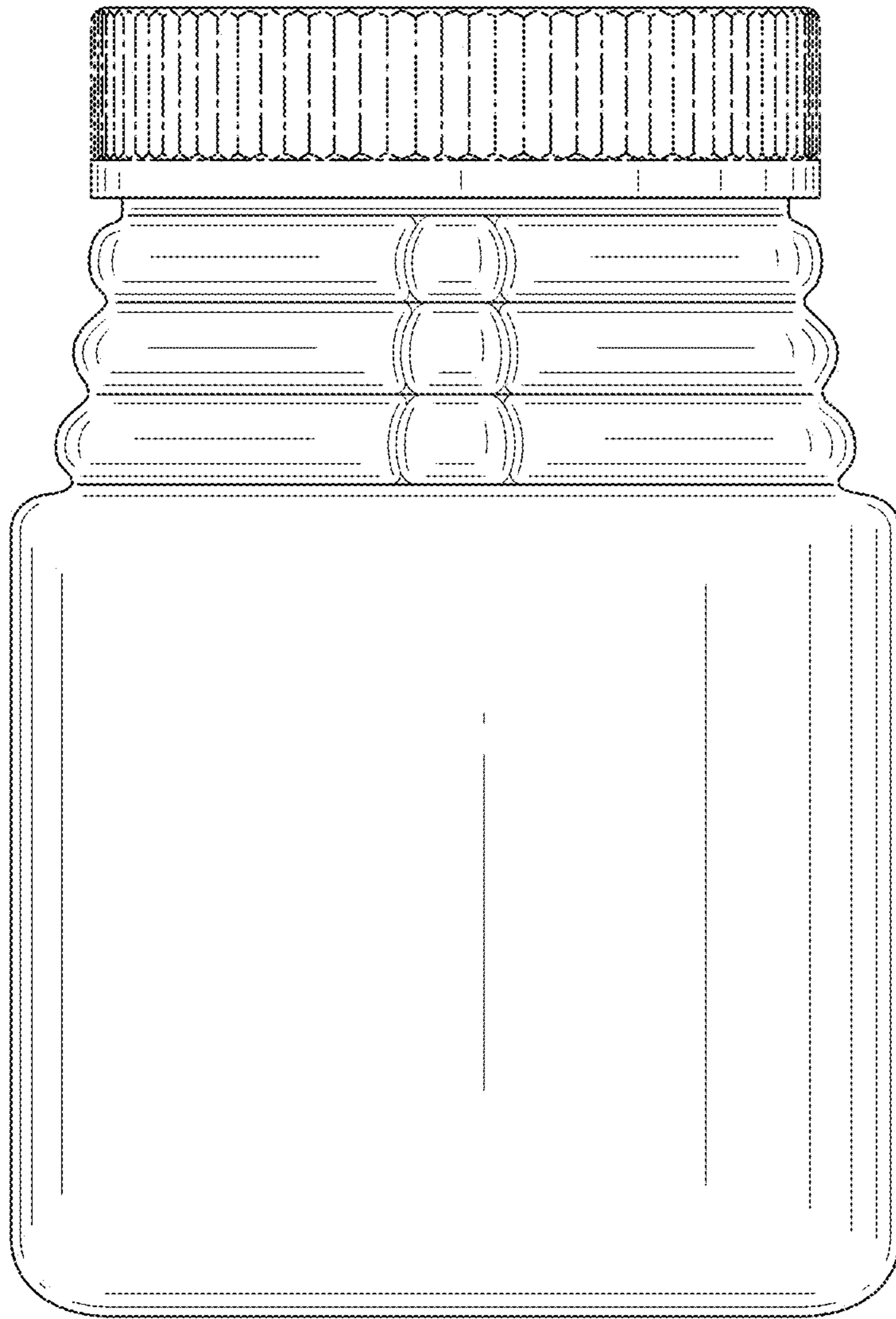


FIG. 19

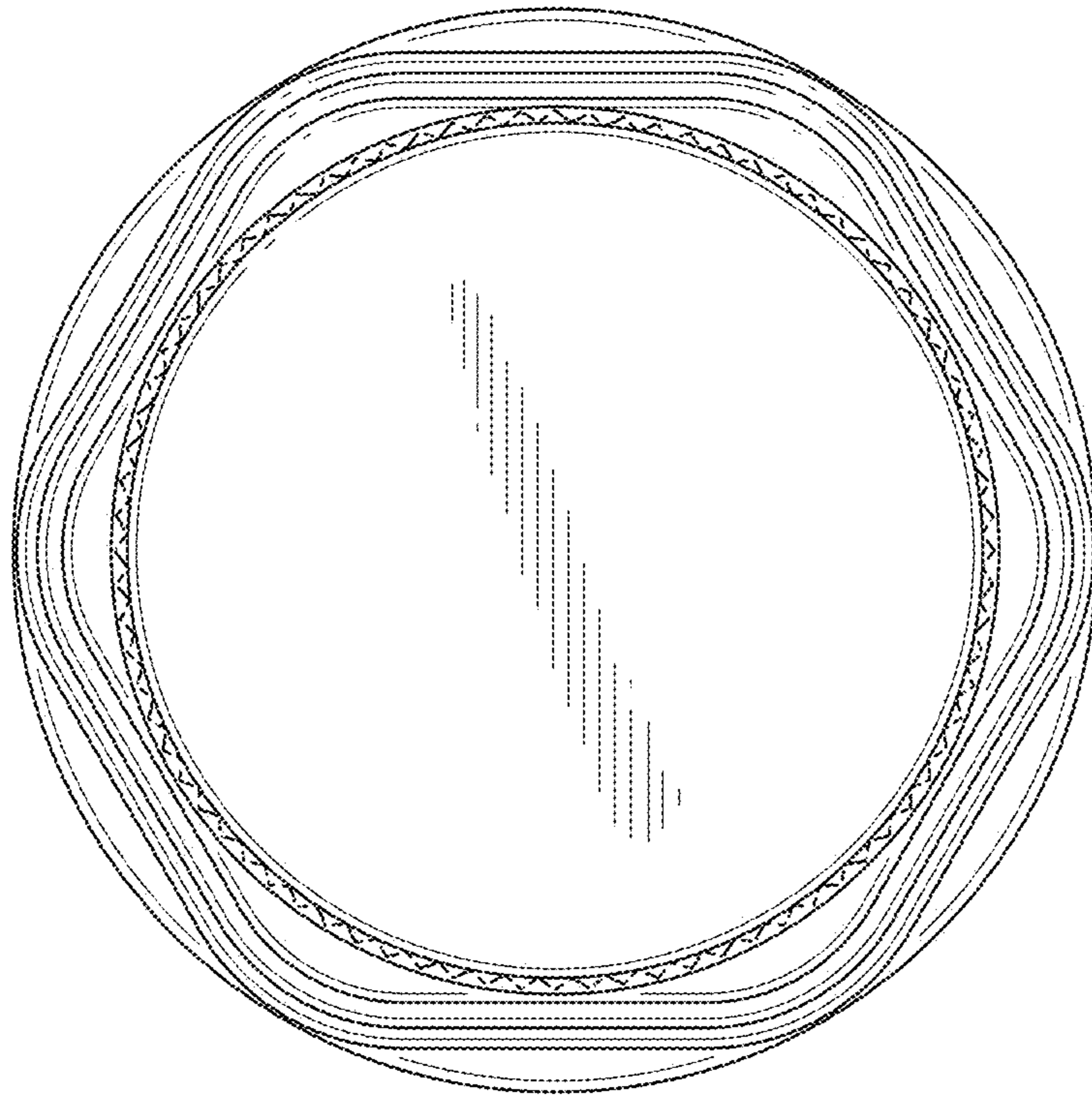


FIG. 20

