



US00D908501S

(12) **United States Design Patent**
Servaire

(10) **Patent No.:** **US D908,501 S**

(45) **Date of Patent:** **** Jan. 26, 2021**

(54) **FLASK**

(71) Applicant: **GUERLAIN**, Paris (FR)

(72) Inventor: **Sébastien Servaire**, Paris (FR)

(73) Assignee: **GUERLAIN**, Paris (FR)

(**) Term: **15 Years**

(21) Appl. No.: **29/695,259**

(22) Filed: **Jun. 18, 2019**

(51) **LOC (13) Cl.** **09-01**

(52) **U.S. Cl.**
USPC **D9/529**; D9/435; D9/520; D9/559;
D9/574

(58) **Field of Classification Search**
USPC D9/414, 424, 430, 434–435, 444–445,
D9/516, 529, 559, 574, 715; D3/203.2;
D28/77, 85–86
CPC B65D 1/00; B65D 1/02; B65D 1/0223;
B65D 23/00; B65D 51/32; B65D
2501/00; B65D 2501/0009; B65D
2501/0081
See application file for complete search history.

(56) **References Cited**

U.S. PATENT DOCUMENTS

D285,732 S * 9/1986 Holloway D28/85
D303,086 S * 8/1989 Rothfos D9/529

D324,496 S * 3/1992 Poandl D9/454
D520,373 S * 5/2006 Ortiz D9/556
D582,291 S * 12/2008 de Baschmakoff D9/560
D656,033 S 3/2012 Servaire
D734,894 S * 7/2015 Schlatter D28/85
D756,037 S * 5/2016 Schlatter D28/85
D778,502 S * 2/2017 Teller D28/85
D846,197 S * 4/2019 Apodaca D28/85
D849,530 S * 5/2019 Fremgen D9/430
D895,427 S * 9/2020 Foote D9/529

* cited by examiner

Primary Examiner — Dana Meyrow

(74) *Attorney, Agent, or Firm* — McNeese Wallace & Nurick LLC

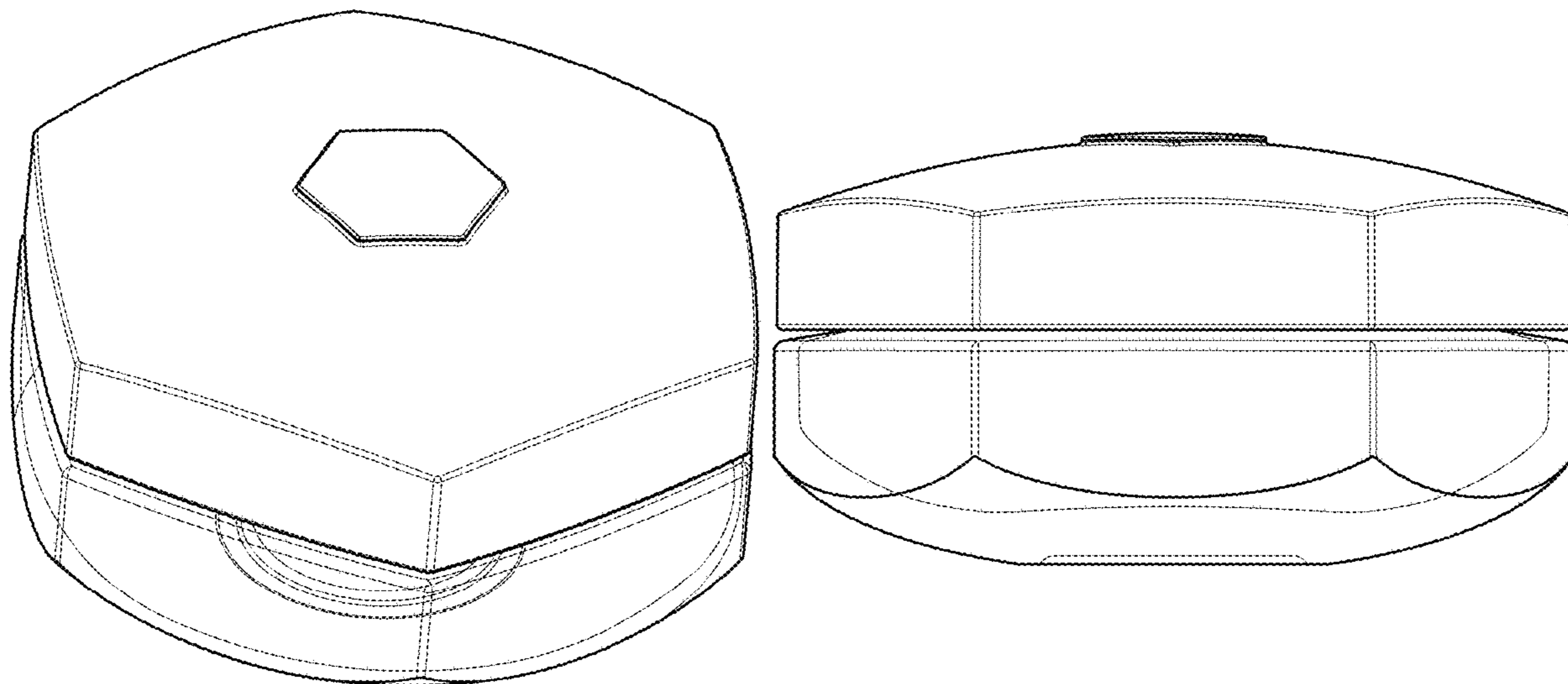
(57) **CLAIM**

The ornamental design for a flask, as shown and described.

DESCRIPTION

FIG. 1 is a top-front-left perspective view of a flask, showing the design;
FIG. 2 is a front view of the flask of FIG. 1;
FIG. 3 is a rear view of the flask of FIG. 1;
FIG. 4 is a right view of the flask of FIG. 1;
FIG. 5 is a left view of the flask of FIG. 1;
FIG. 6 is a top view of the flask of FIG. 1; and,
FIG. 7 is a bottom view of the flask of FIG. 1.

1 Claim, 5 Drawing Sheets



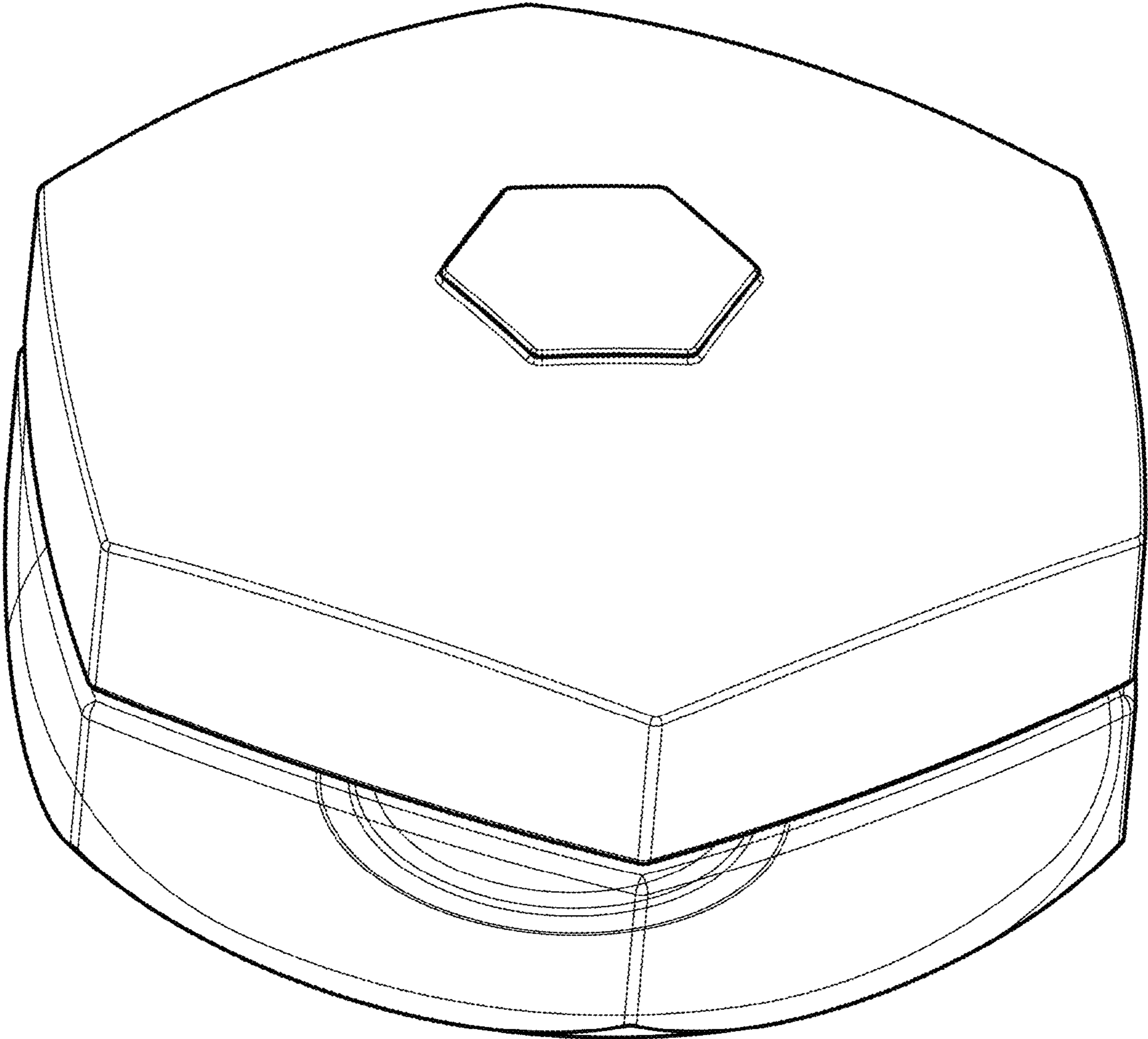


FIG. 1

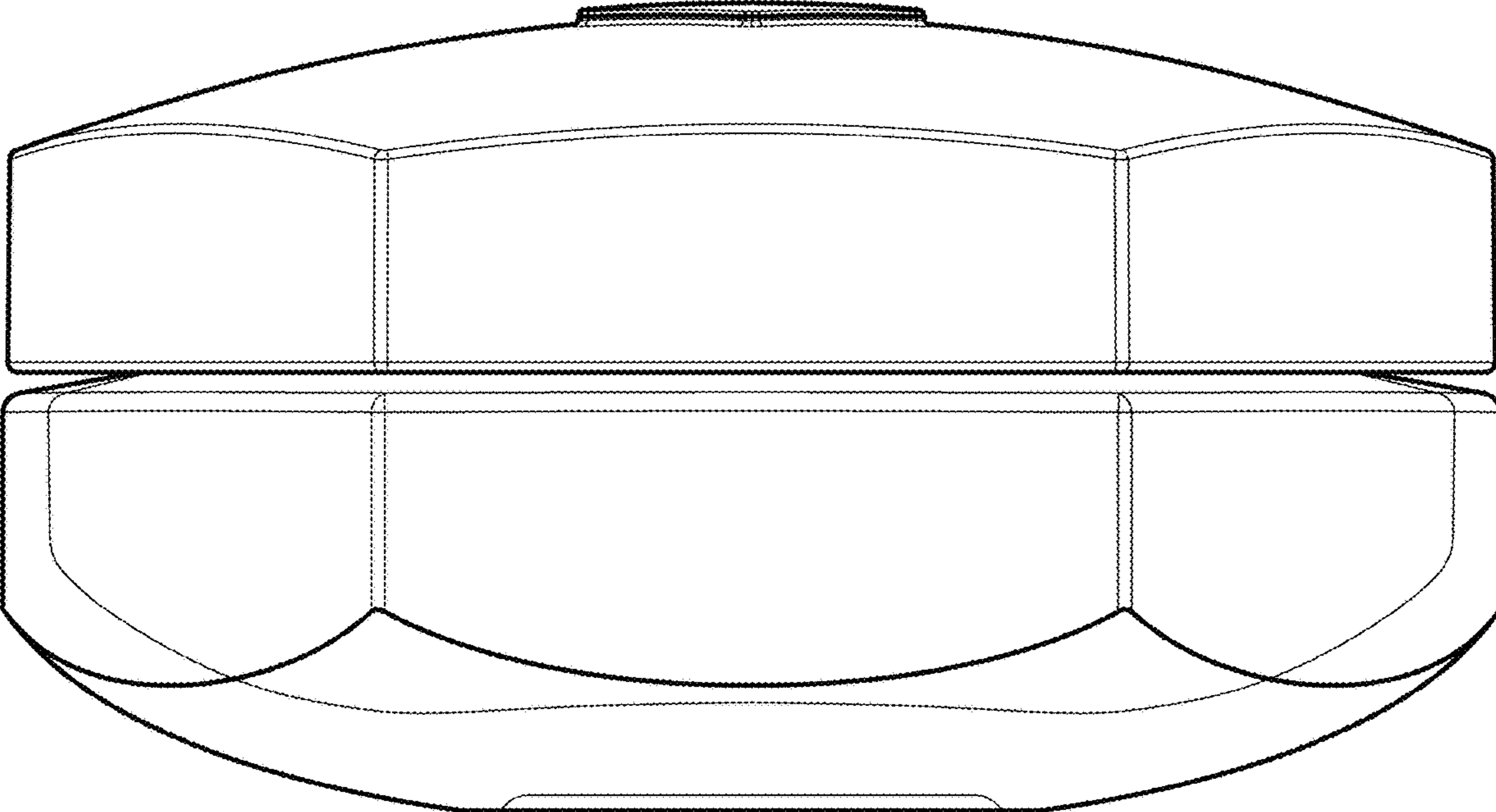


FIG. 2

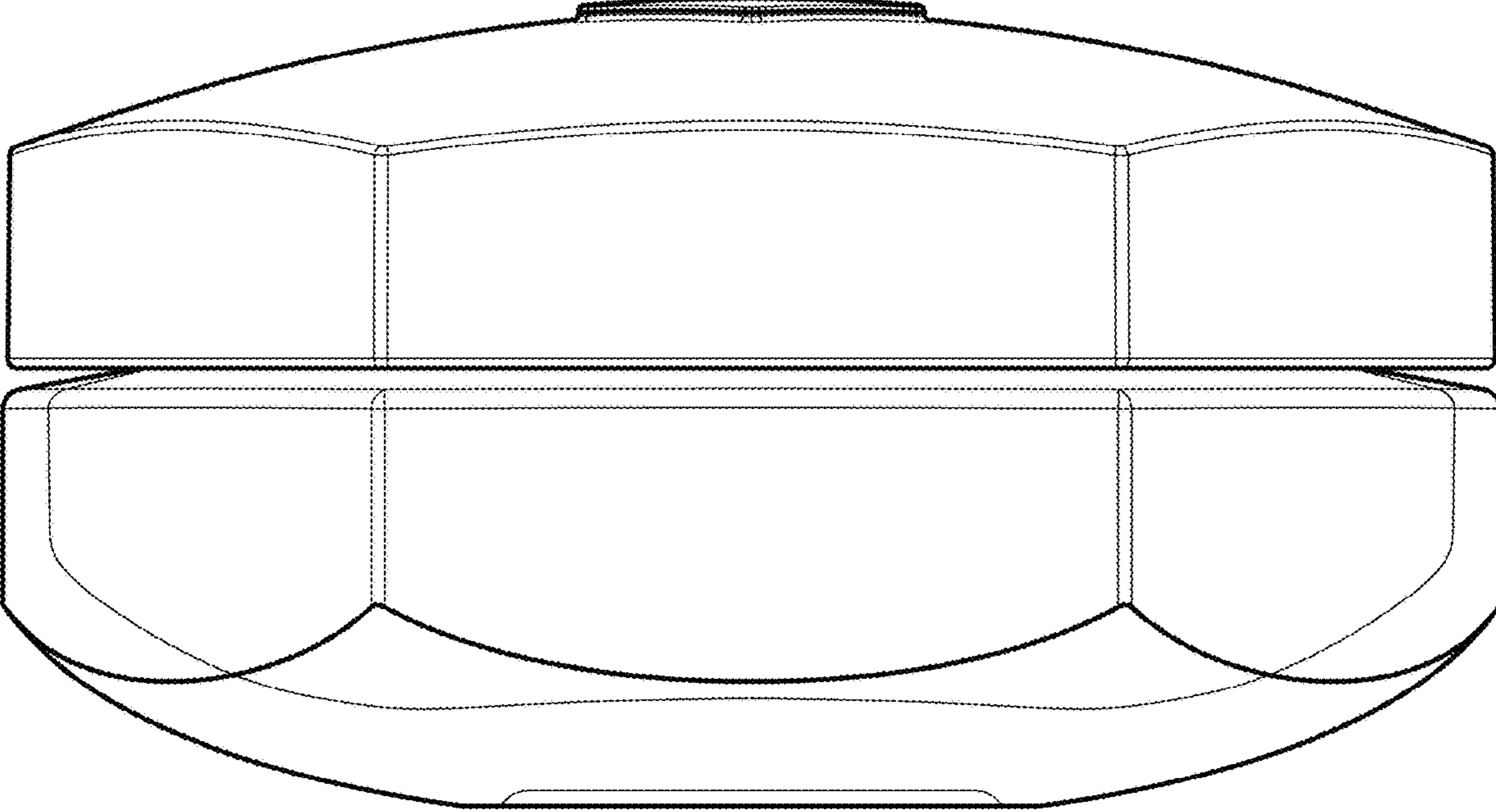


FIG. 3

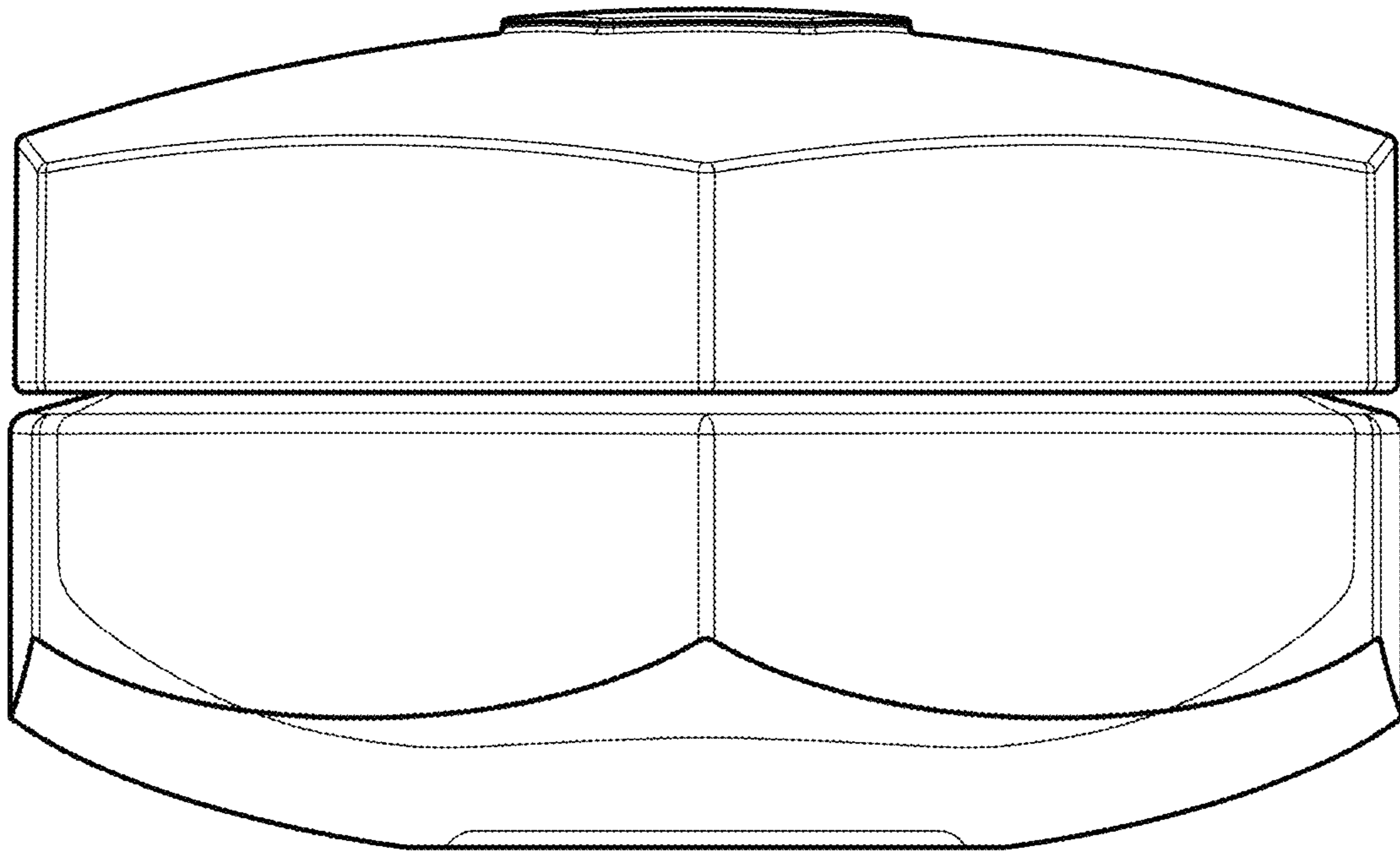


FIG. 4

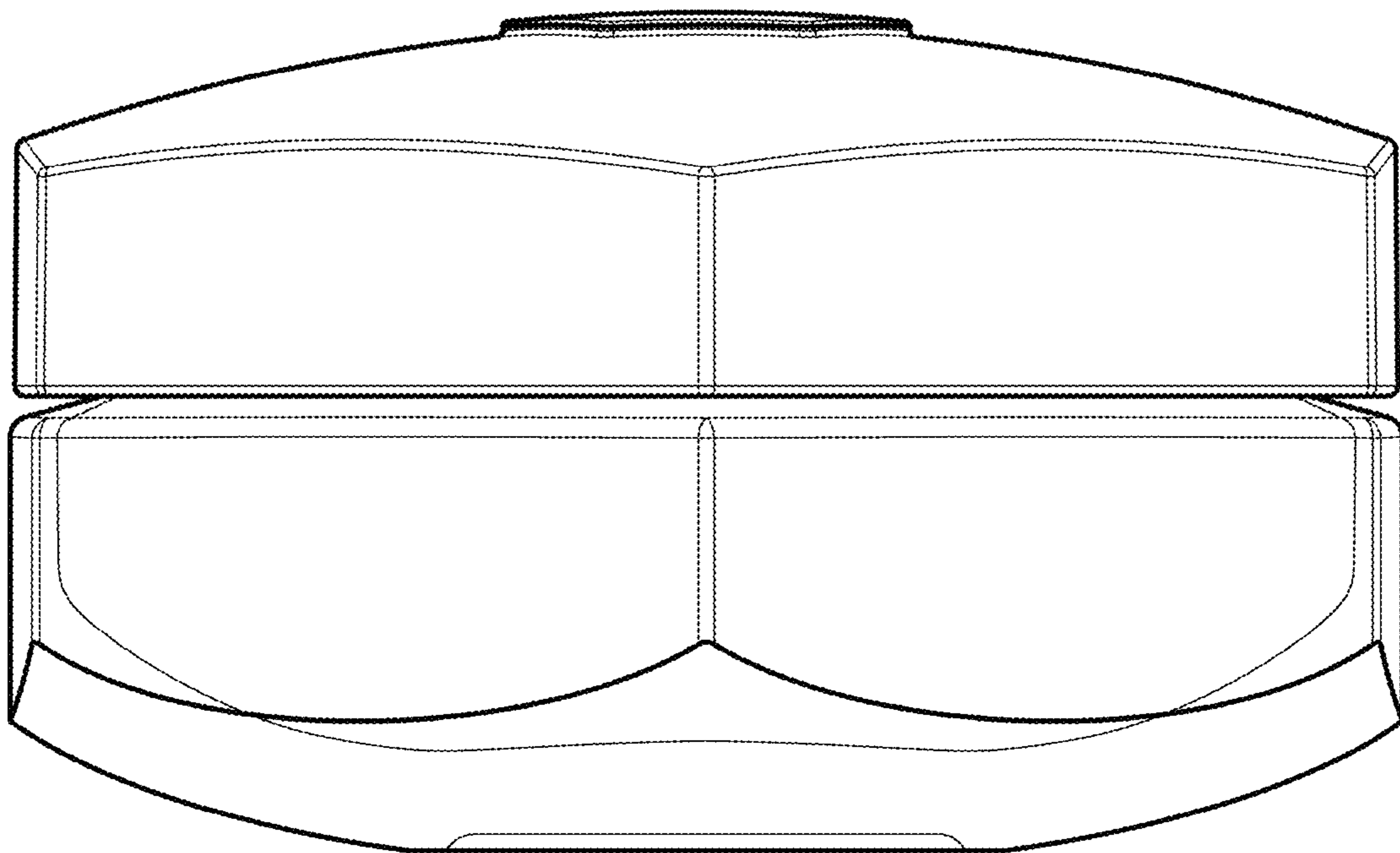


FIG. 5

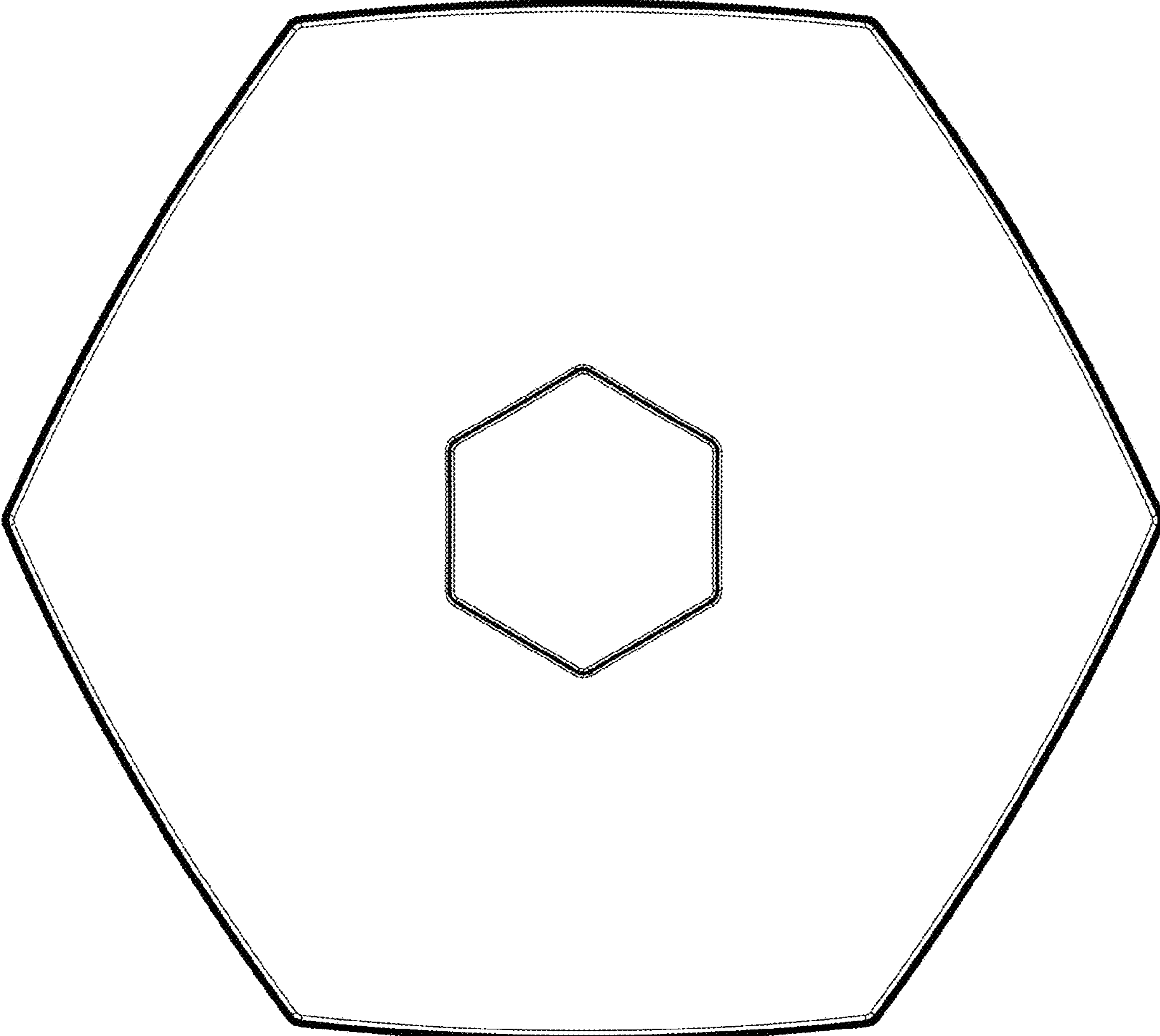


FIG. 6

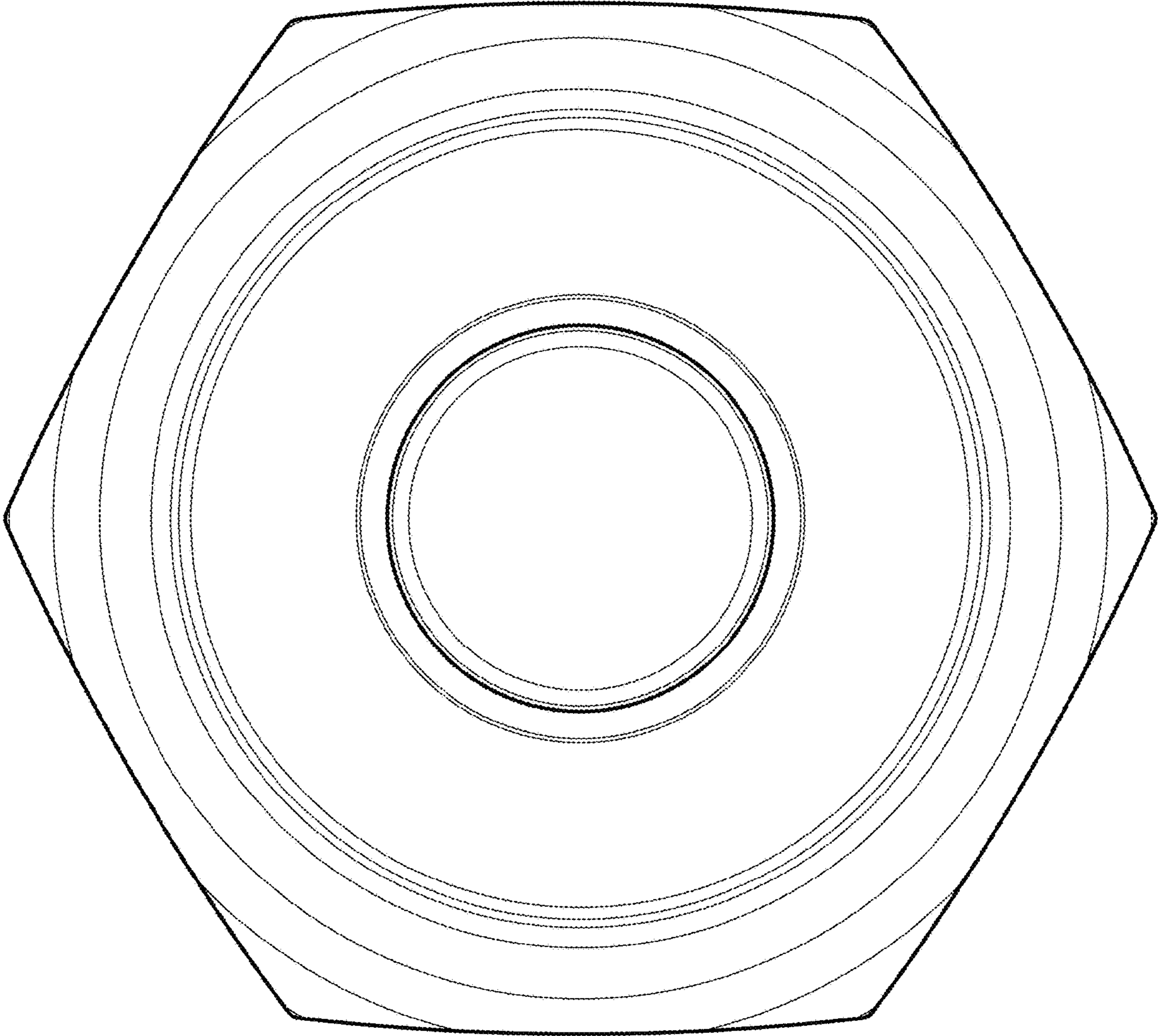


FIG. 7

UNITED STATES PATENT AND TRADEMARK OFFICE
CERTIFICATE OF CORRECTION

PATENT NO. : D908,501 S
APPLICATION NO. : 29/695259
DATED : January 26, 2021
INVENTOR(S) : Sébastien Servaire

Page 1 of 1

It is certified that error appears in the above-identified patent and that said Letters Patent is hereby corrected as shown below:

On the Title Page

Item (30) should be added and read:
(30) Foreign Application Priority Data
Dec. 19, 2018 (IB).....970003654

Signed and Sealed this
Ninth Day of March, 2021



Drew Hirshfeld
*Performing the Functions and Duties of the
Under Secretary of Commerce for Intellectual Property and
Director of the United States Patent and Trademark Office*