



US00D908500S

(12) **United States Design Patent**
Aboabdo

(10) **Patent No.:** **US D908,500 S**
(45) **Date of Patent:** **** Jan. 26, 2021**

- (54) **BOTTLE**
- (71) Applicant: **Chubby Gorilla, Inc.**, Fullerton, CA (US)
- (72) Inventor: **Ibrahiem H. Aboabdo**, Yorba Linda, CA (US)
- (73) Assignee: **Chubby Gorilla, Inc.**, Fullerton, CA (US)
- (**) Term: **15 Years**
- (21) Appl. No.: **29/614,048**
- (22) Filed: **Aug. 15, 2017**

D279,080 S	6/1985	Negishi	
D280,492 S *	9/1985	Greaves	D9/453
4,632,264 A	12/1986	Evans	
4,635,806 A	1/1987	Williamson	
4,705,181 A	11/1987	Burke et al.	
D310,969 S	10/1990	Butler	
5,020,681 A	6/1991	Kusz	
5,115,928 A	5/1992	Drummond, Jr.	
5,263,615 A *	11/1993	Anderson	B65D 1/0223 222/212
5,314,085 A *	5/1994	Collado Bonet ..	B65D 41/3447 215/252
5,324,481 A	6/1994	Dunn	
D354,914 S	1/1995	Newman	
D356,597 S	3/1995	Gray	
D357,865 S	5/1995	Hansen	
D362,623 S	9/1995	Ma	
5,462,200 A *	10/1995	Weiler	B65D 51/222 222/420
D368,425 S	4/1996	Newell	
5,543,115 A	8/1996	Karakawa	
5,676,268 A	10/1997	King	
D405,371 S *	2/1999	Herr	D9/443
D411,109 S *	6/1999	Suto	D9/550
D412,107 S	7/1999	Bosshardt	
D416,793 S	11/1999	Faughey	
6,202,869 B1	3/2001	Sullivan	
D451,396 S *	12/2001	Johnson	D9/530
6,334,557 B1 *	1/2002	Yang	B65D 47/123 222/420
D491,469 S	6/2004	Horie	
7,051,906 B2 *	5/2006	Kis	B65D 1/0207 222/568
D524,037 S *	7/2006	Van Horn	D3/203.1
7,178,703 B2 *	2/2007	Spada	A61F 9/0008 222/209
D551,569 S	9/2007	Tanaka	
7,334,694 B2	2/2008	Suffa	
D564,357 S	3/2008	Kapoor et al.	
7,563,256 B2	7/2009	Hearne	
D601,908 S	10/2009	Yun	
D603,710 S	11/2009	Wilson	
D611,346 S *	3/2010	Camomile	D9/504
7,677,417 B2 *	3/2010	Leiner	B65D 47/18 222/212
D651,921 S	1/2012	Probst	
D653,950 S	2/2012	Ishizawa	
8,444,610 B2 *	5/2013	Grevin	A61F 9/0008 222/420
8,633,016 B2	1/2014	Parker	
8,673,242 B2	3/2014	Shick	
D704,052 S	5/2014	Yoshii	
D705,070 S *	5/2014	Zheng	D9/523

Related U.S. Application Data

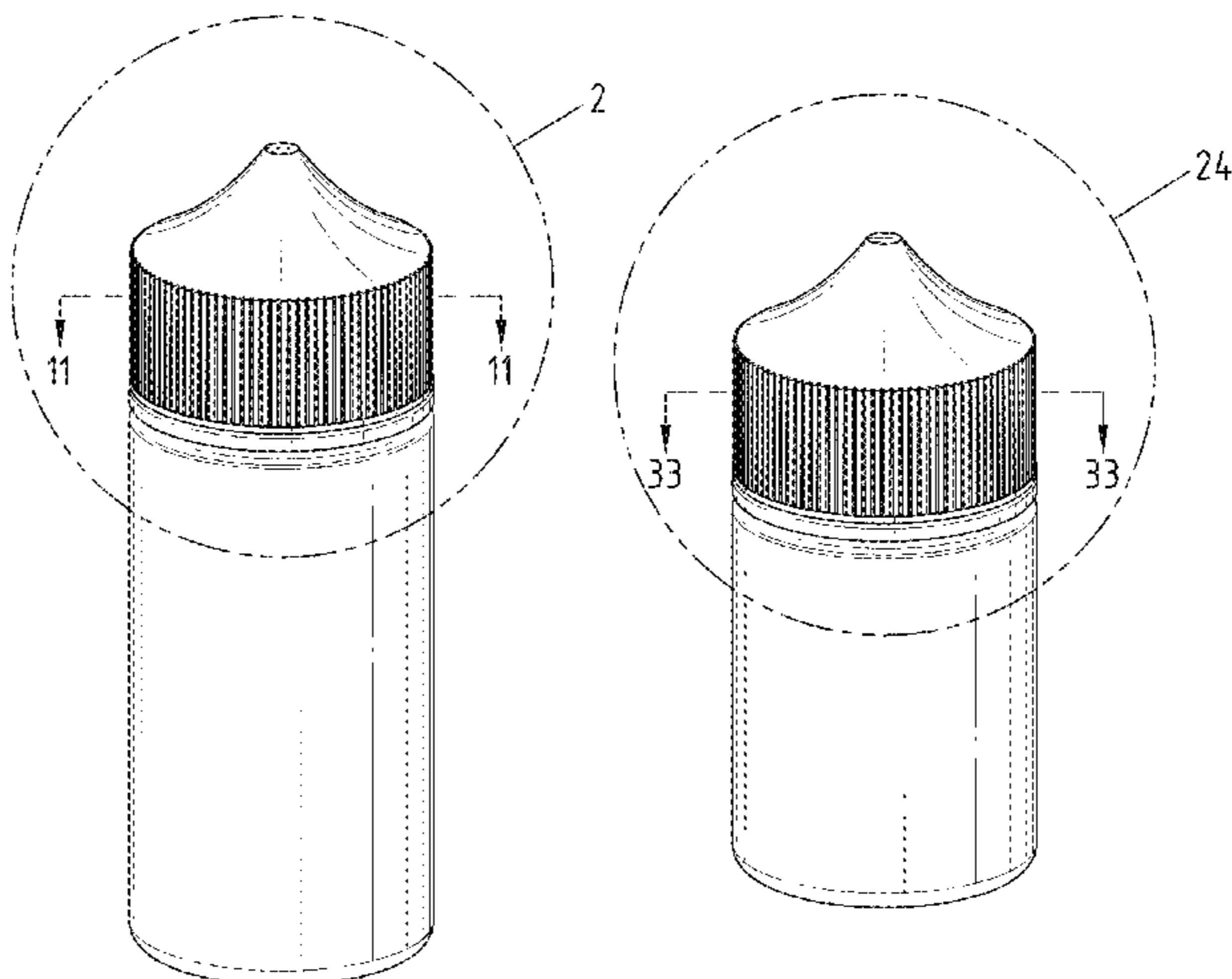
- (63) Continuation of application No. 29/610,633, filed on Jul. 13, 2017.
- (51) **LOC (13) Cl.** **09-01**
- (52) **U.S. Cl.**
USPC **D9/503; D9/723**
- (58) **Field of Classification Search**
USPC D9/442, 503, 695-699, 702-714,
D9/723-729; D24/199; D28/7;
132/317, 318, 320; 222/95, 207, 212,
222/335
CPC A45D 34/00; A45D 40/00; B65D 81/3272
See application file for complete search history.

References Cited

U.S. PATENT DOCUMENTS

- (56)

D199,545 S	11/1964	Torongo et al.	
3,398,848 A	8/1968	Donovan	
D221,132 S *	7/1971	Schiavone	D9/503
D251,203 S	2/1979	Williamson	
D259,172 S	5/1981	Ross	
D264,938 S	6/1982	Stock	
D264,939 S *	6/1982	Stock	D24/115
D264,940 S	6/1982	Stock	
D264,941 S	6/1982	Stock	
4,371,088 A	2/1983	Gach	
D277,736 S	2/1985	Long	



D732,400 S *	6/2015	Hua	D9/724
D732,506 S	6/2015	Hua		
D732,975 S	6/2015	Hua		
9,045,265 B2	6/2015	Adamczak		
D742,019 S *	10/2015	Montgomery	D24/197
D826,068 S	8/2018	Aboabdo		
D834,950 S	12/2018	Aboabdo		
D855,476 S	8/2019	Aboabdo		
D860,004 S	9/2019	Aboabdo		
2003/0211616 A1	11/2003	Leong		
2004/0182814 A1*	9/2004	Suffa	B65D 50/046 215/216
2006/0111680 A1*	5/2006	Spada	A61F 9/0008 604/295
2007/0042454 A1	2/2007	Nix		
2010/0145287 A1*	6/2010	Grevin	A61F 9/0008 604/295
2010/0167271 A1	7/2010	Ryan		
2011/0281342 A1	11/2011	Porsch et al.		
2017/0057710 A1*	3/2017	Greiner-Perth	B65D 47/2031

FOREIGN PATENT DOCUMENTS

JP	1362412	6/2009
JP	1429123	12/2011
TW	D113730	11/2006
TW	D148448	8/2012

OTHER PUBLICATIONS

Huizhu Dropper Bottles, announced Feb. 8, 2017, [online], site visited Sep. 3, 2020. Available from Internet, URL: [http:// www.amazon.com](http://www.amazon.com) (Year: 2017).*

U.S. Appl. No. 29/610,633, Bottle, filed Jul. 13, 2017.

U.S. Appl. No. 29/689,608, Dispensing Bottle and Cap, filed Apr. 30, 2019.

U.S. Appl. No. 29/689,607, Dispensing Bottle and Cap in Combination, filed Apr. 30, 2019.

U.S. Appl. No. 29/689,592, Dispensing Bottle and Cap, filed Apr. 30, 2019.

U.S. Appl. No. 29/689,588, Dispensing Bottle and Cap, filed Apr. 30, 2019.

U.S. Appl. No. 29/689,595, Dispensing Bottle and Cap, filed Apr. 30, 2019.

U.S. Appl. No. 29/660,584, Dispensing Bottle Kit, filed Aug. 21, 2018.

U.S. Pat. No. D834950, Dispensing Bottle and Cap in Combination dated Dec. 4, 2018.

U.S. Pat. No. D855476, Dispensing Bottle and Cap in Combination dated Aug. 6, 2019.

U.S. Pat. No. D860004, Dispensing Bottle Cap dated Sep. 17, 2019.

U.S. Pat. No. D826068, Dispensing Bottle Kit dated Aug. 21, 2018. Specimen filed Jul. 3, 2016 in U.S. Trademark Application No. 87/092,186.

Chubby Gorilla, <https://chubbygorilla.com/> dated as available on Jul. 3, 2016 by the Wayback Machine accessed on May 11, 2020.

* cited by examiner

Primary Examiner — Janice Patyk
(74) *Attorney, Agent, or Firm* — Knobbe Martens Olson & Bear, LLP

(57) **CLAIM**

The ornamental design for a bottle, as shown and described.

DESCRIPTION

FIG. 1 is a top perspective view of a first embodiment of a bottle, showing my new design.

FIG. 2 is a partially enlarged view thereof, taken from FIG. 1.

FIG. 3 is a front view thereof.

FIG. 4 is a rear view thereof.

FIG. 5 is a first side view thereof.

FIG. 6 is a second side view thereof.

FIG. 7 is a top view thereof.

FIG. 8 is a bottom view thereof.

FIG. 9 is an exploded top perspective view thereof.

FIG. 10 is an exploded front view thereof.

FIG. 11 is a cross-sectional view thereof, taken along line 11-11 in FIG. 1.

FIG. 12 is a top perspective view of a second embodiment of a bottle, showing my new design.

FIG. 13 is a partially enlarged view thereof, taken from FIG. 12.

FIG. 14 is a front view thereof.

FIG. 15 is a rear view thereof.

FIG. 16 is a first side view thereof.

FIG. 17 is a second side view thereof.

FIG. 18 is a top view thereof.

FIG. 19 is a bottom view thereof.

FIG. 20 is an exploded top perspective view thereof.

FIG. 21 is an exploded front view thereof.

FIG. 22 is a cross-sectional view thereof, taken along line 22-22 in FIG. 12.

FIG. 23 is a top perspective view of a third embodiment of a bottle, showing my new design.

FIG. 24 is a partially enlarged view thereof, taken from FIG. 23.

FIG. 25 is a front view thereof.

FIG. 26 is a rear view thereof.

FIG. 27 is a first side view thereof.

FIG. 28 is a second side view thereof.

FIG. 29 is a top view thereof.

FIG. 30 is a bottom view thereof.

FIG. 31 is an exploded top perspective view thereof.

FIG. 32 is an exploded front view thereof.

FIG. 33 is a cross-sectional view thereof, taken along line 33-33 in FIG. 23.

FIG. 34 is a top perspective view of a fourth embodiment of a bottle, showing my new design.

FIG. 35 is a partially enlarged view thereof, taken from FIG. 34.

FIG. 36 is a front view thereof.

FIG. 37 is a rear view thereof.

FIG. 38 is a first side view thereof.

FIG. 39 is a second side view thereof.

FIG. 40 is a top view thereof.

FIG. 41 is a bottom view thereof.

FIG. 42 is an exploded top perspective view thereof.

FIG. 43 is an exploded front view thereof; and,

FIG. 44 is a cross-sectional view thereof, taken along line 44-44 in FIG. 34.

The dot-dot-dash broken lines are included to show partially enlarged views only and form no part of the claimed design.

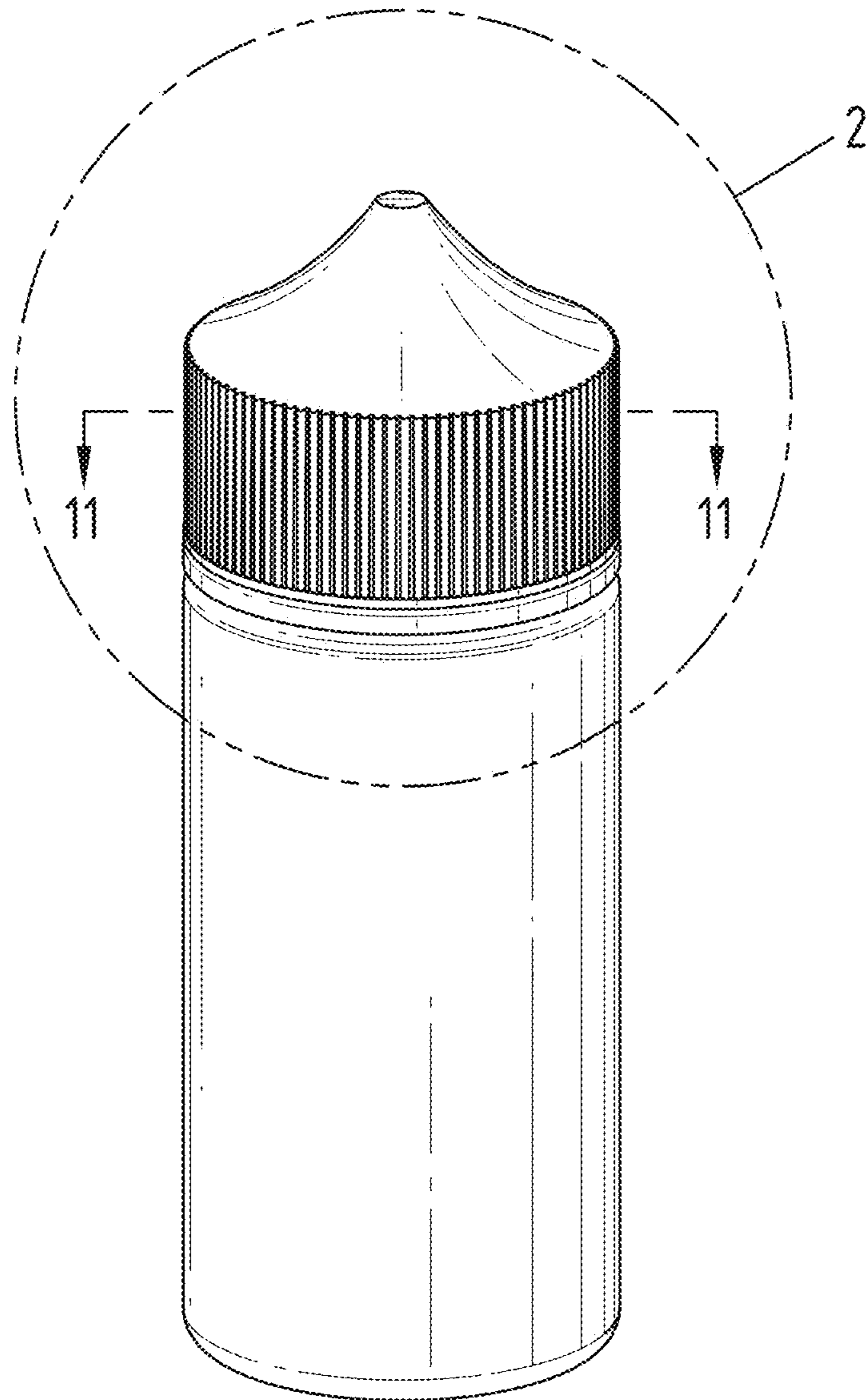


FIG. 1

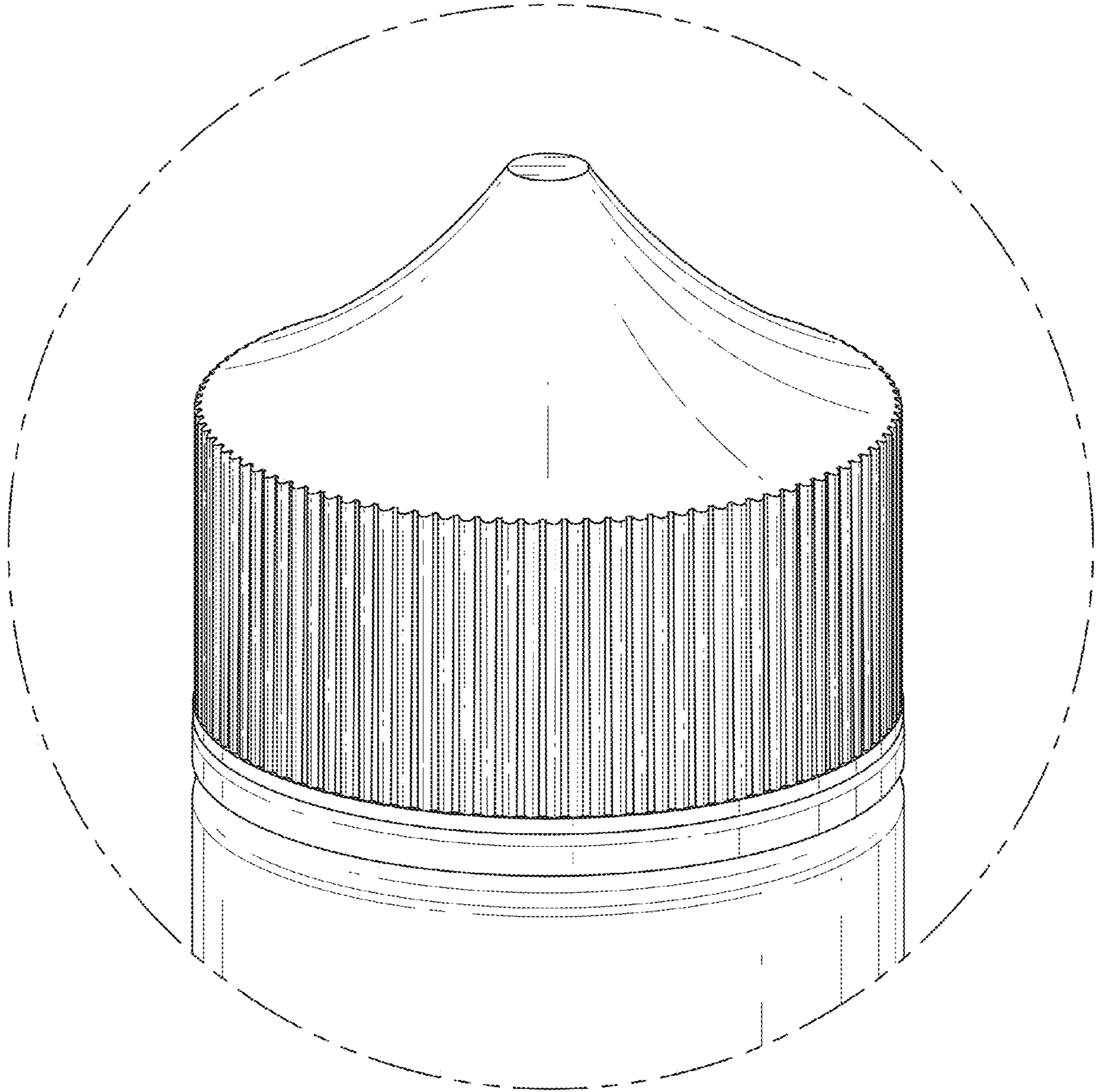


FIG. 2

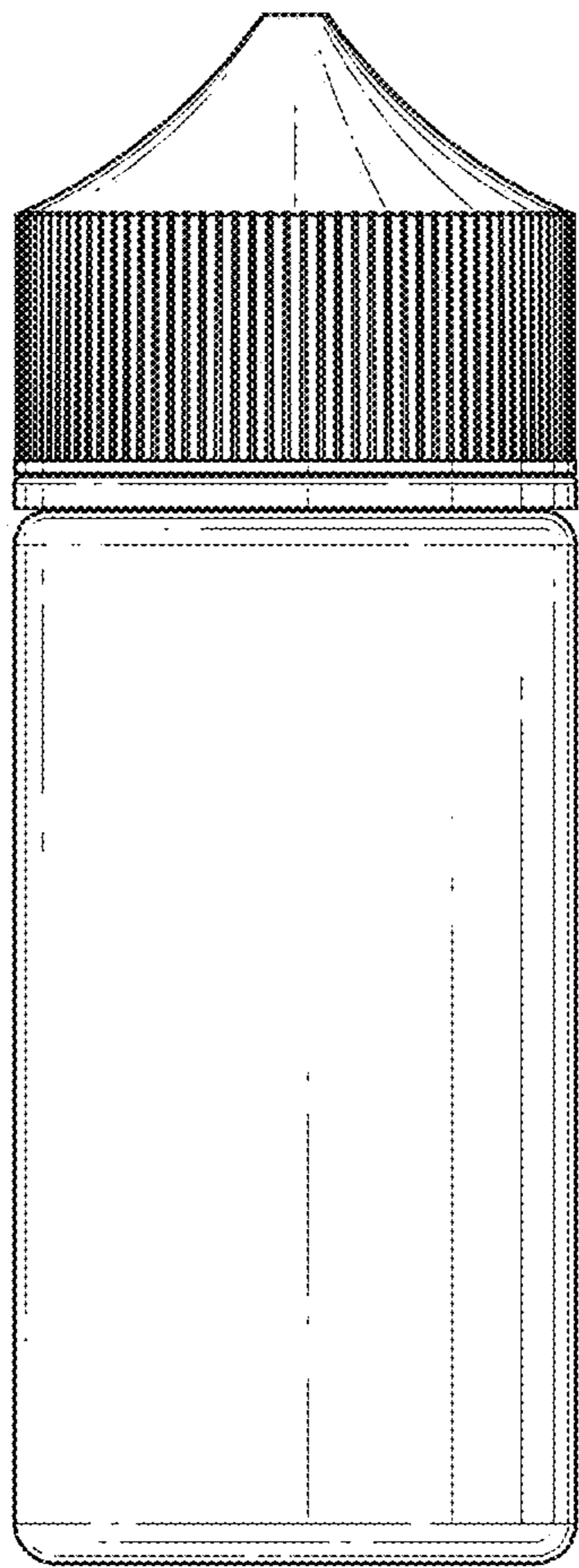


FIG. 3

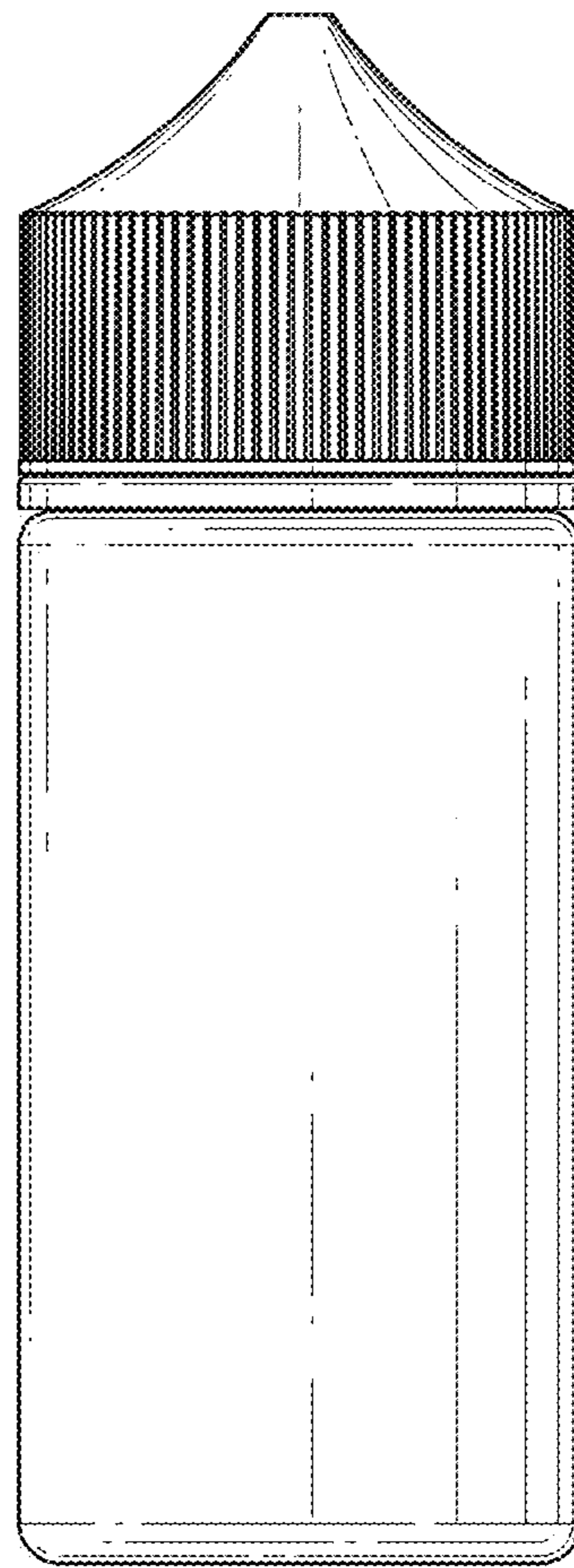


FIG. 4

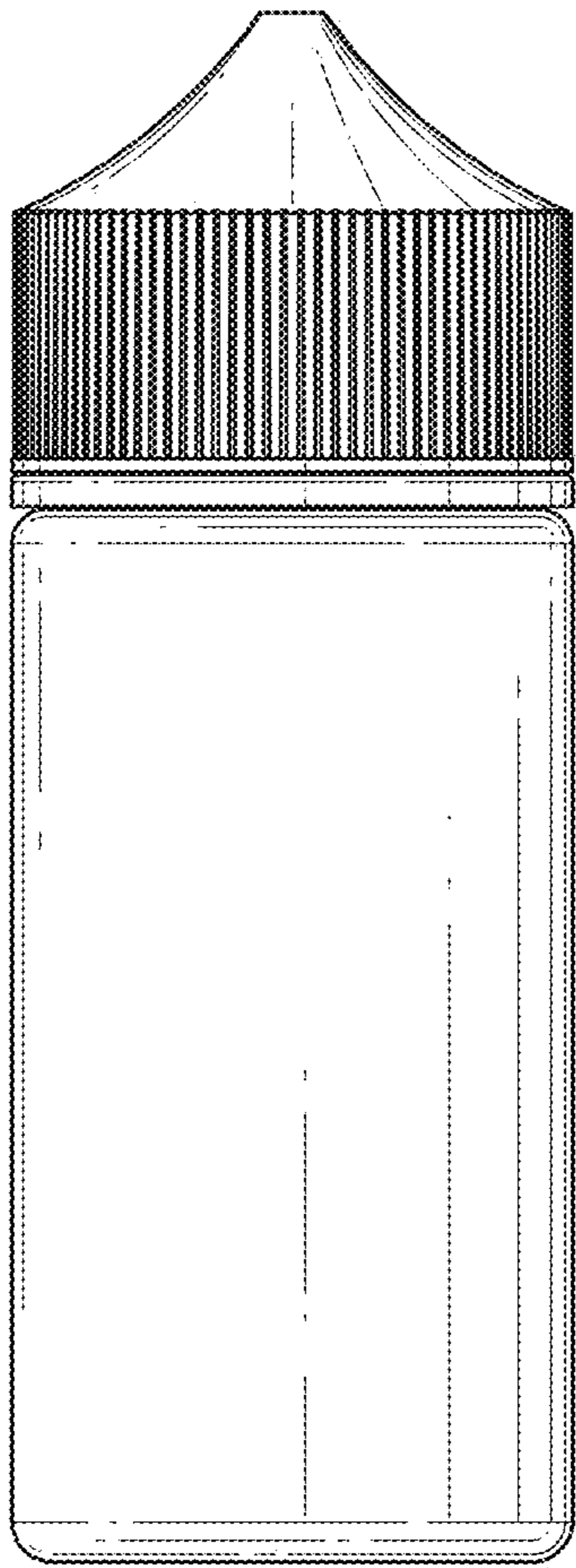


FIG. 5

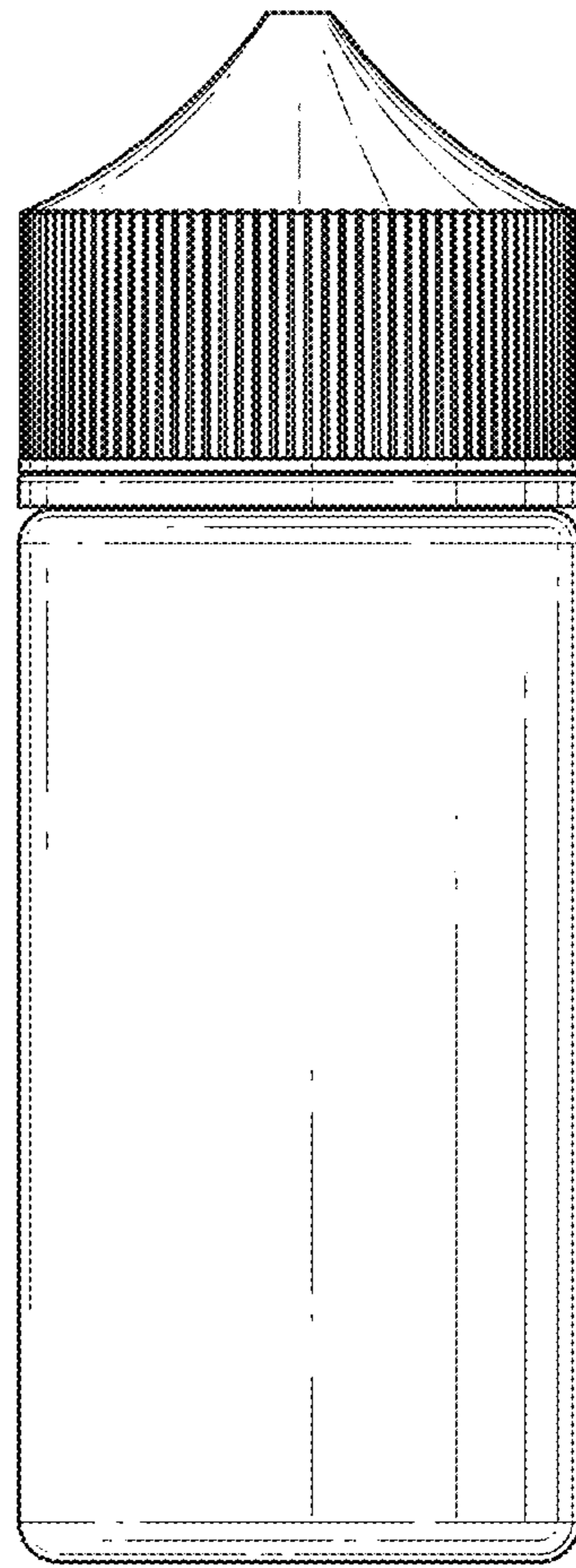


FIG. 6

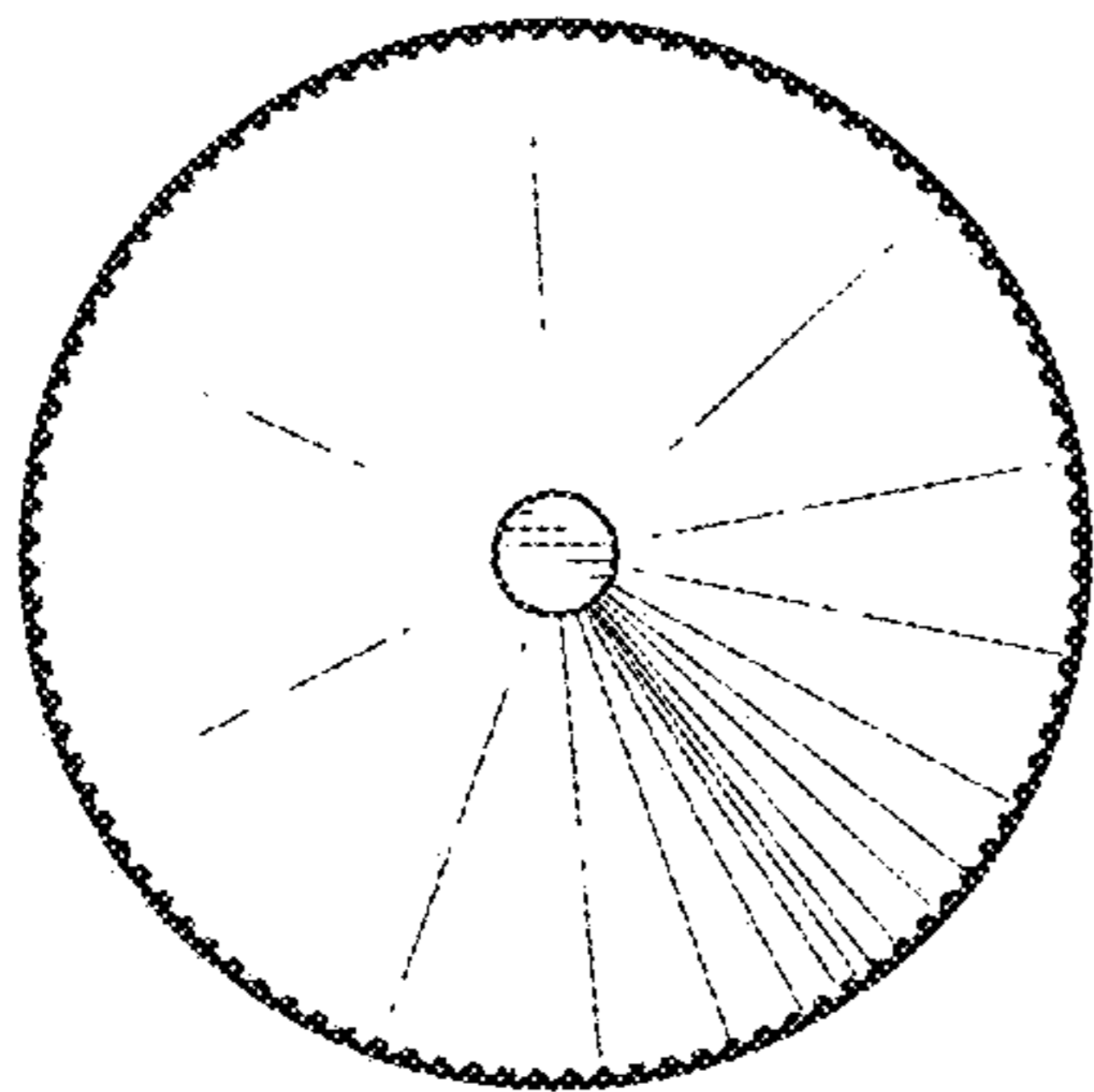


FIG. 7

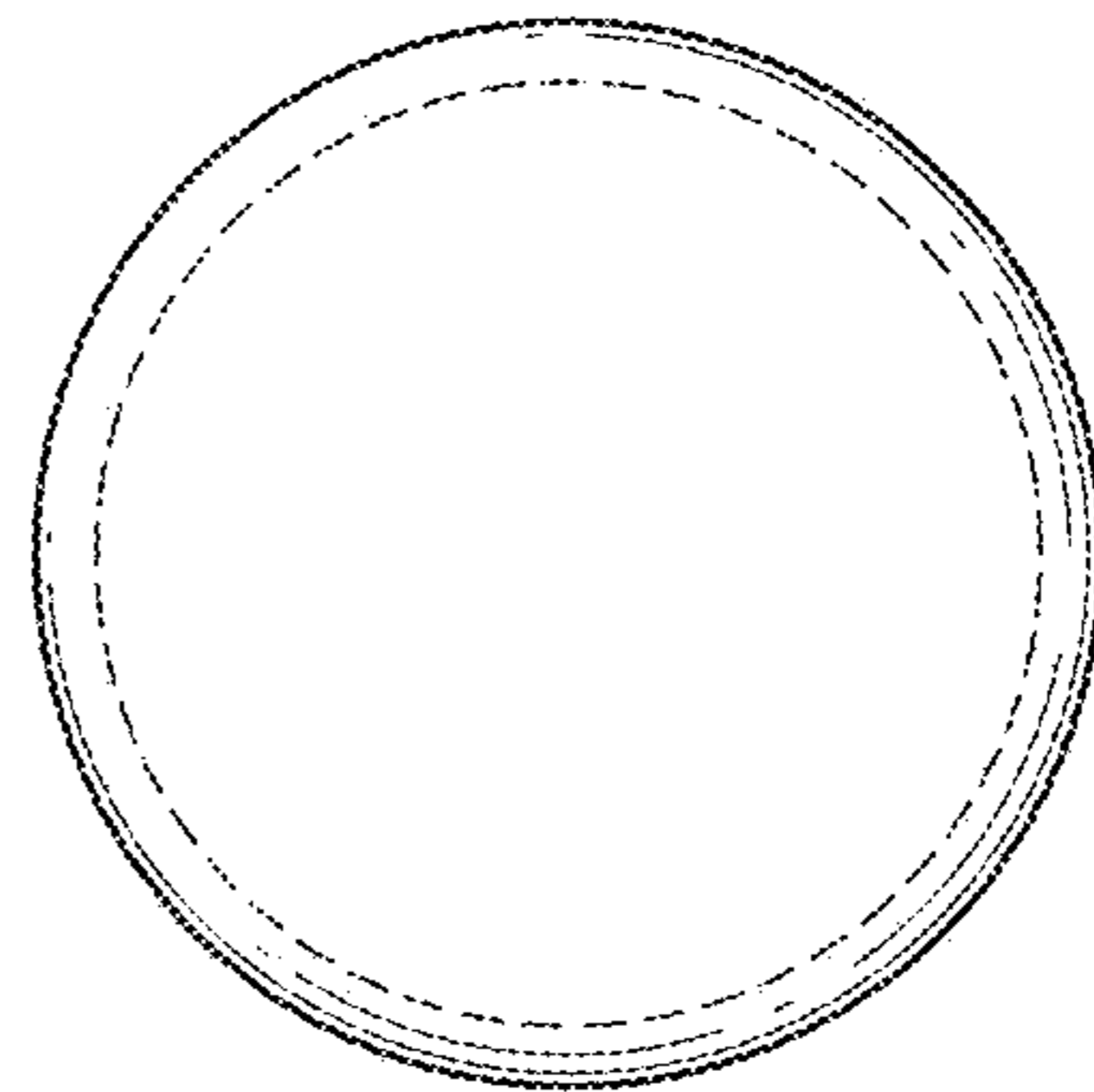


FIG. 8

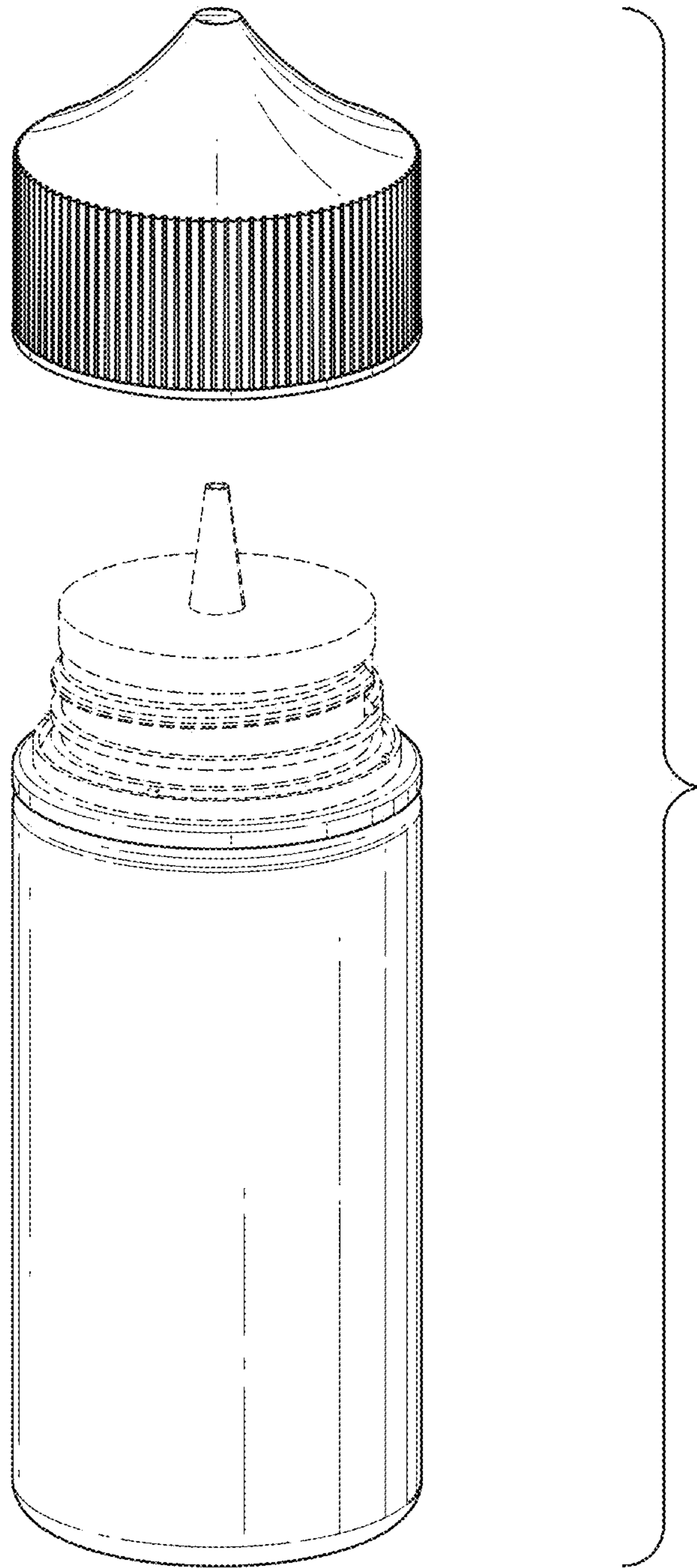


FIG. 9

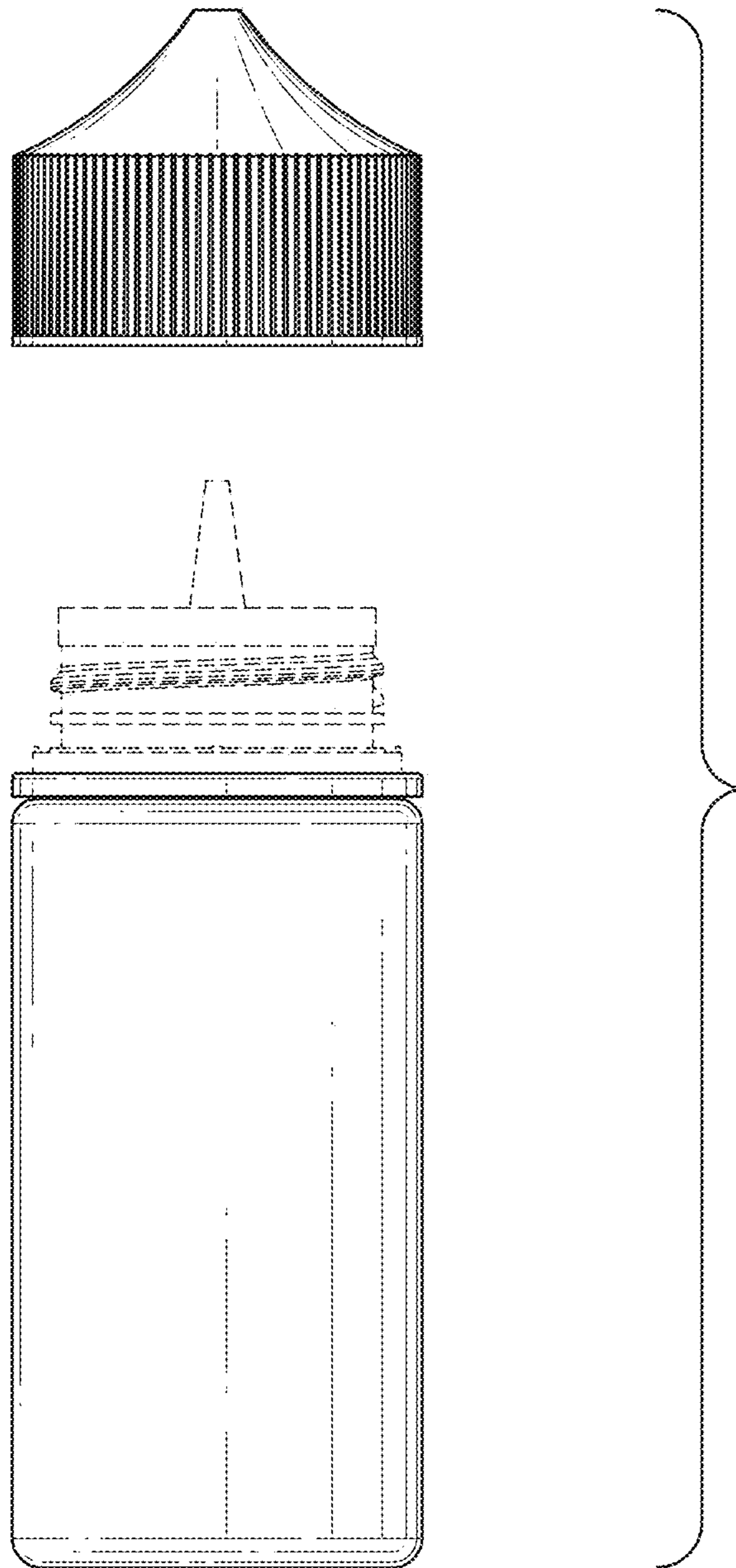


FIG. 10

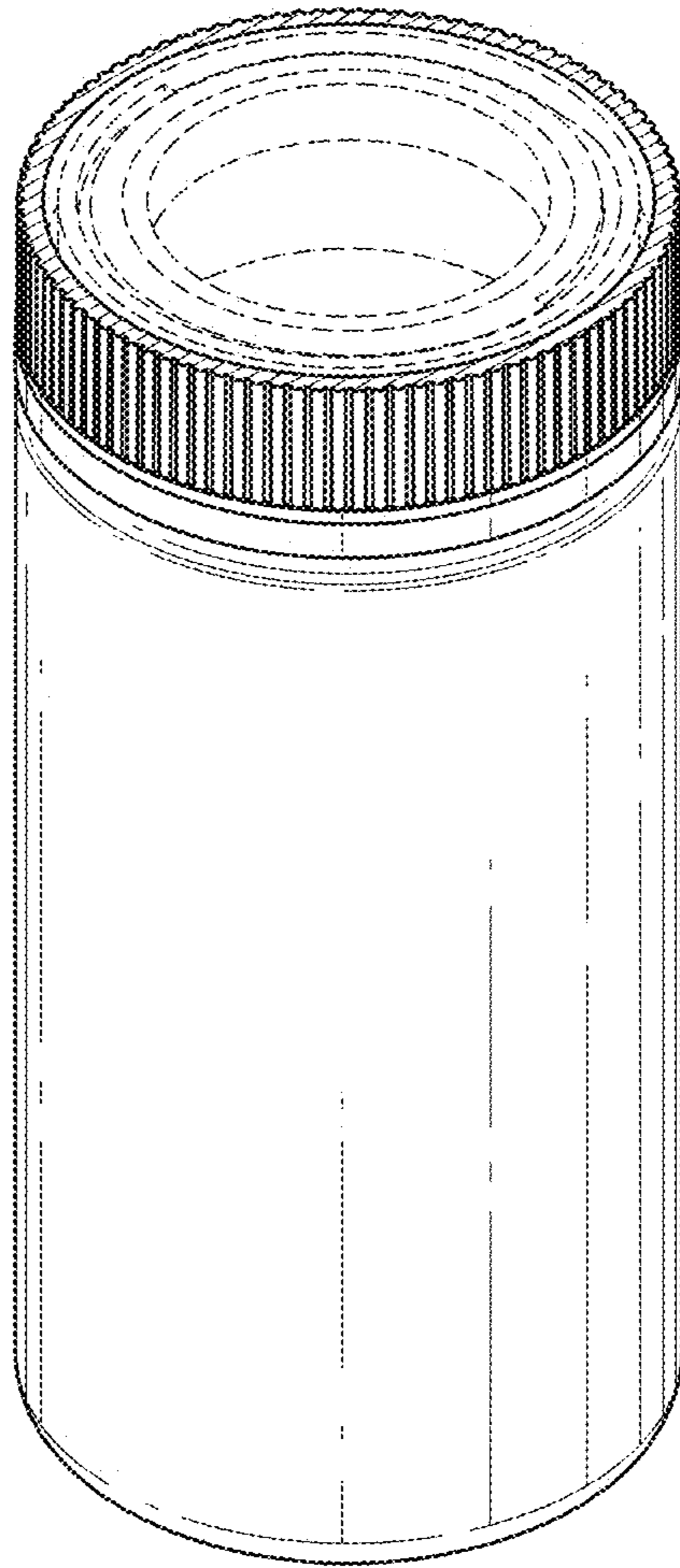


FIG. 11

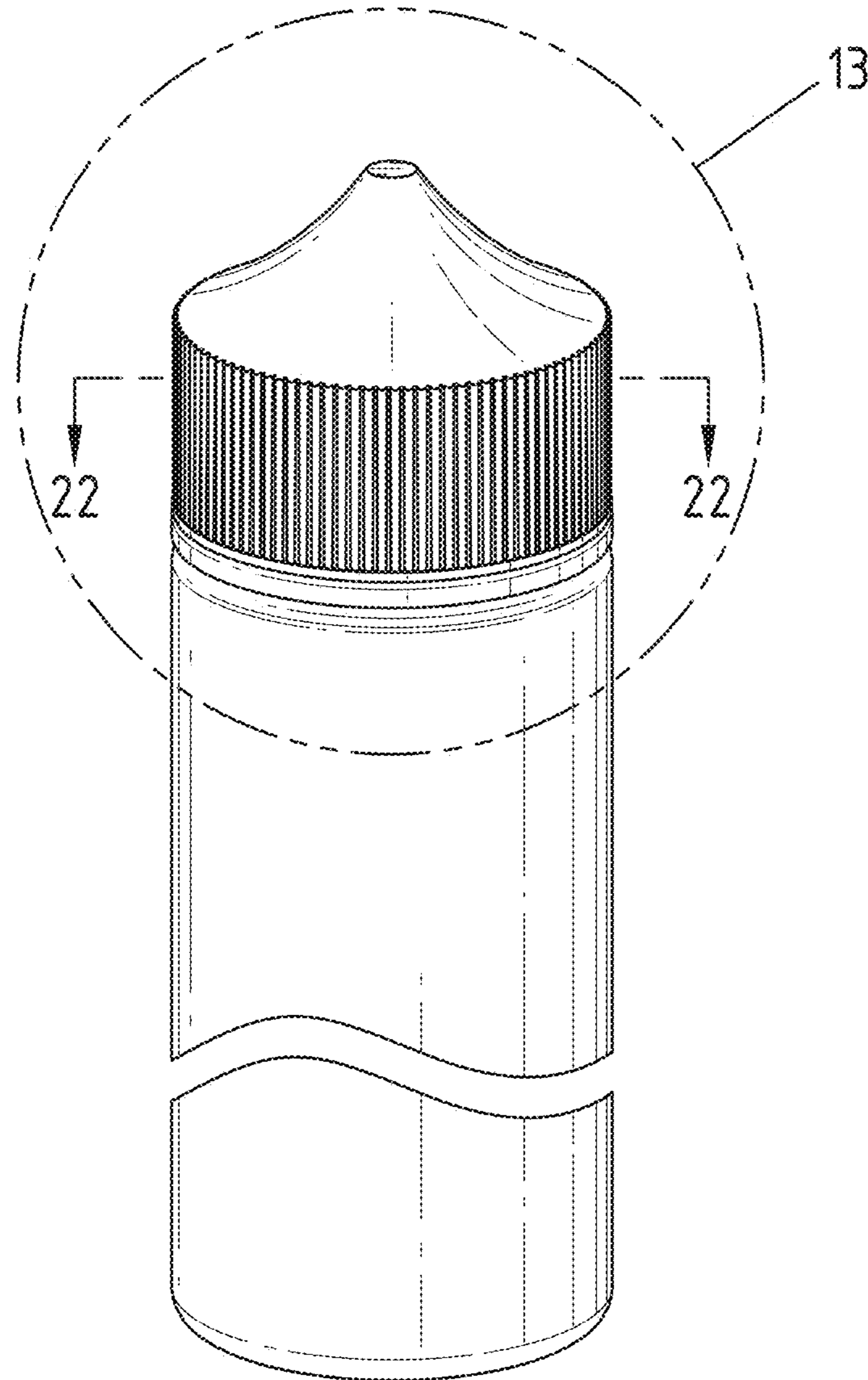


FIG. 12

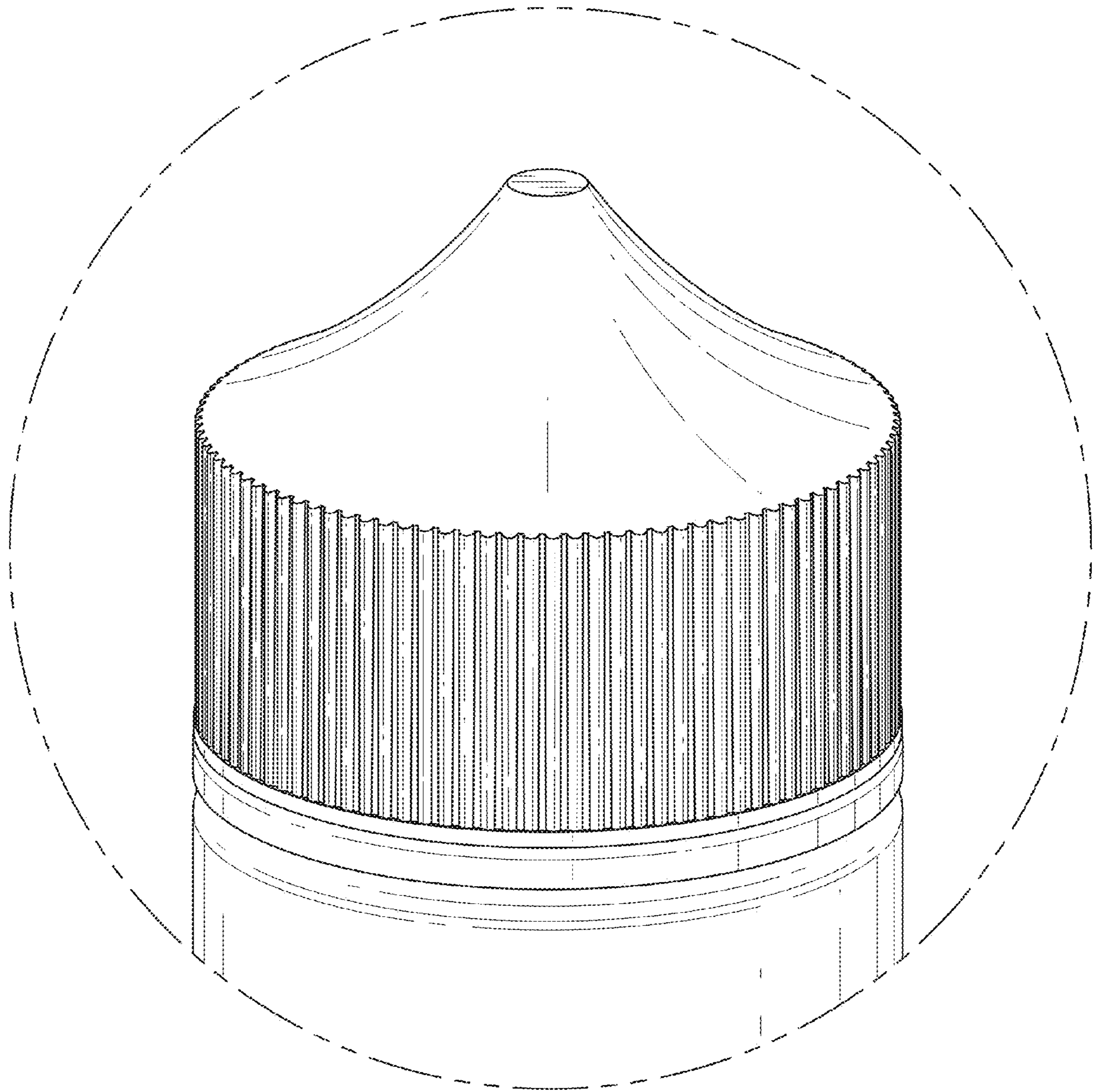


FIG. 13

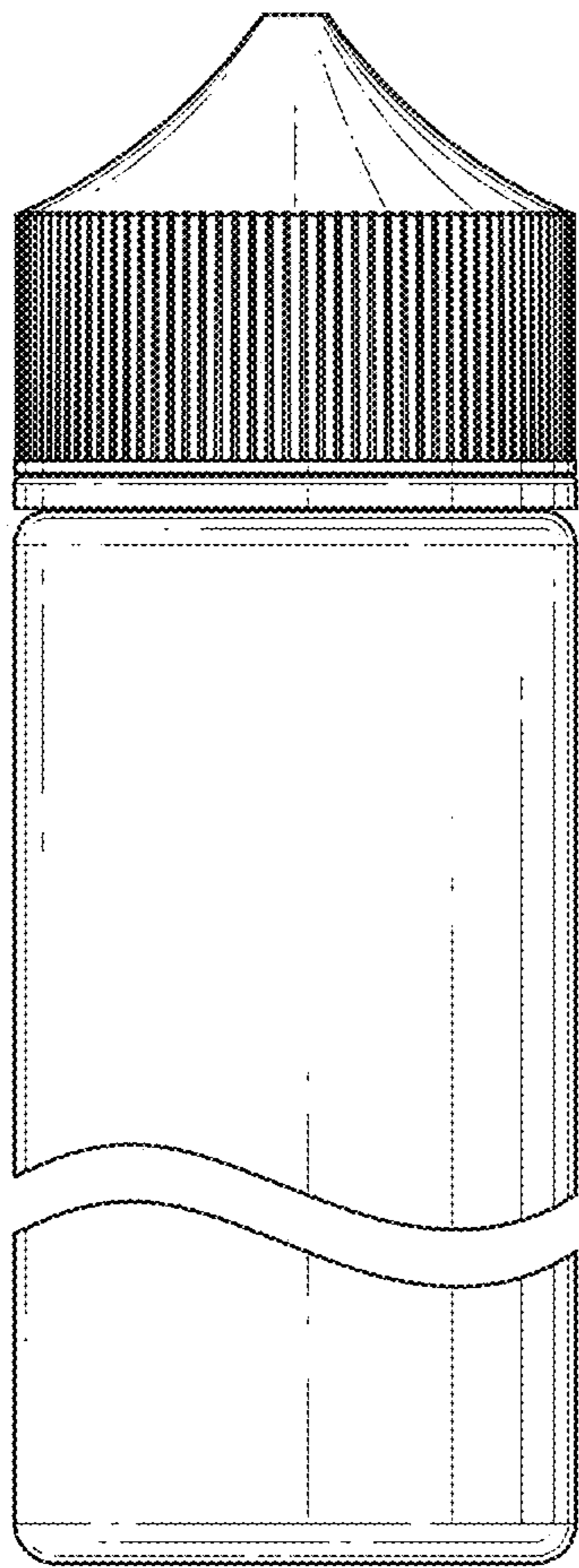


FIG. 14

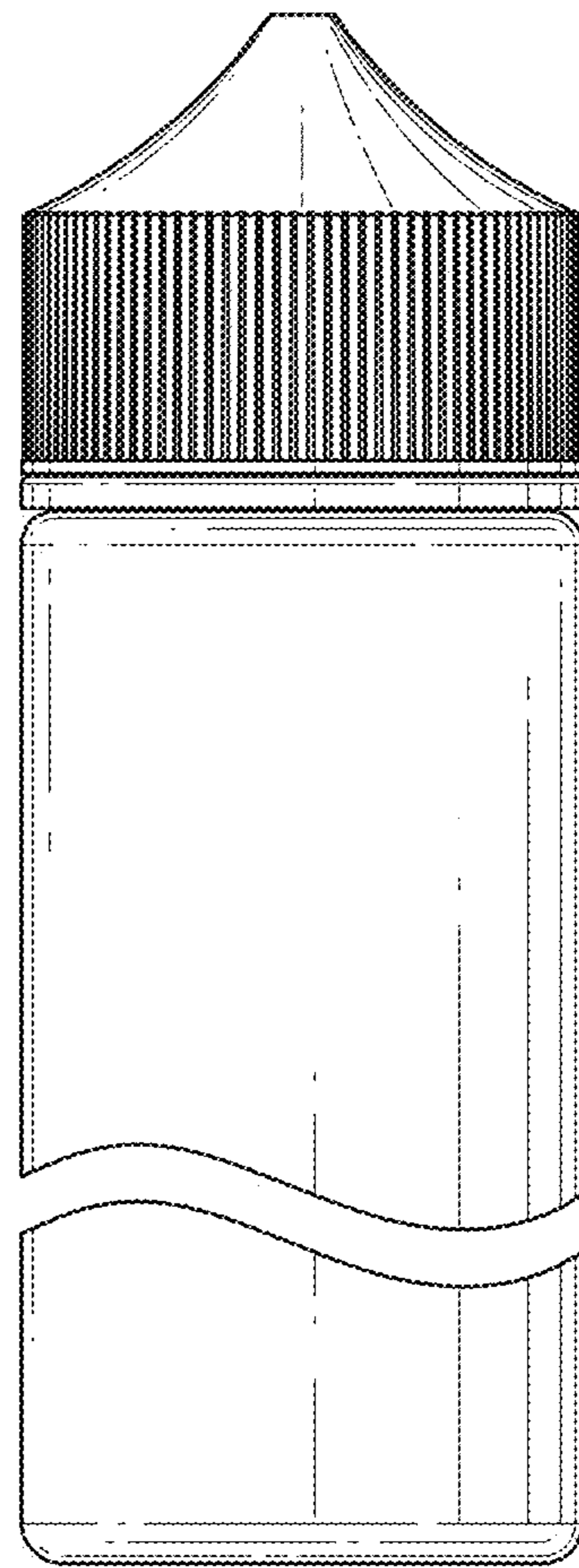


FIG. 15

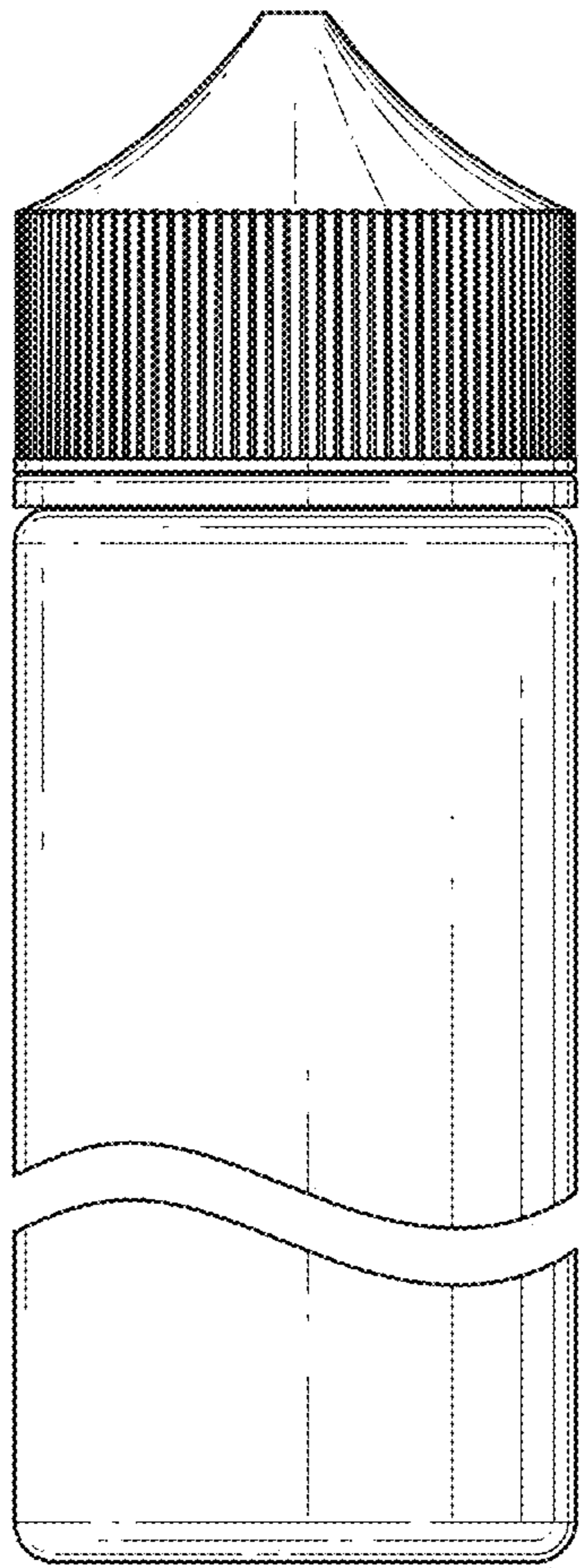


FIG. 16

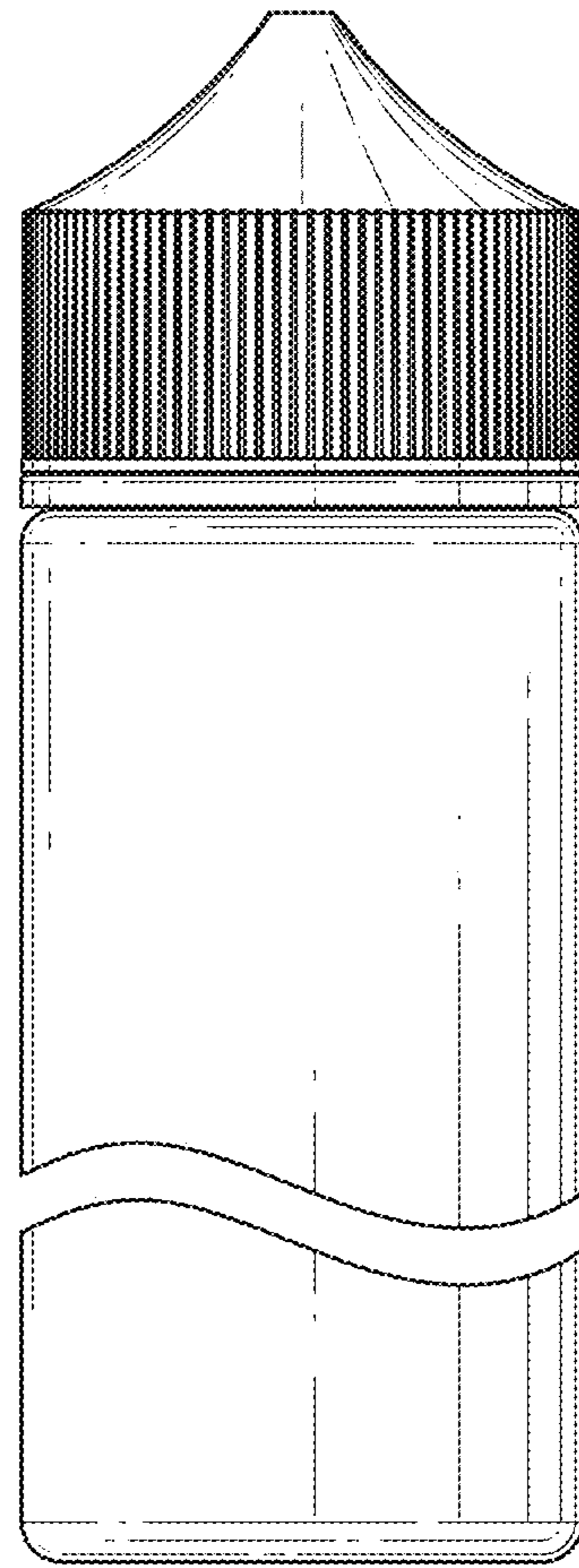


FIG. 17

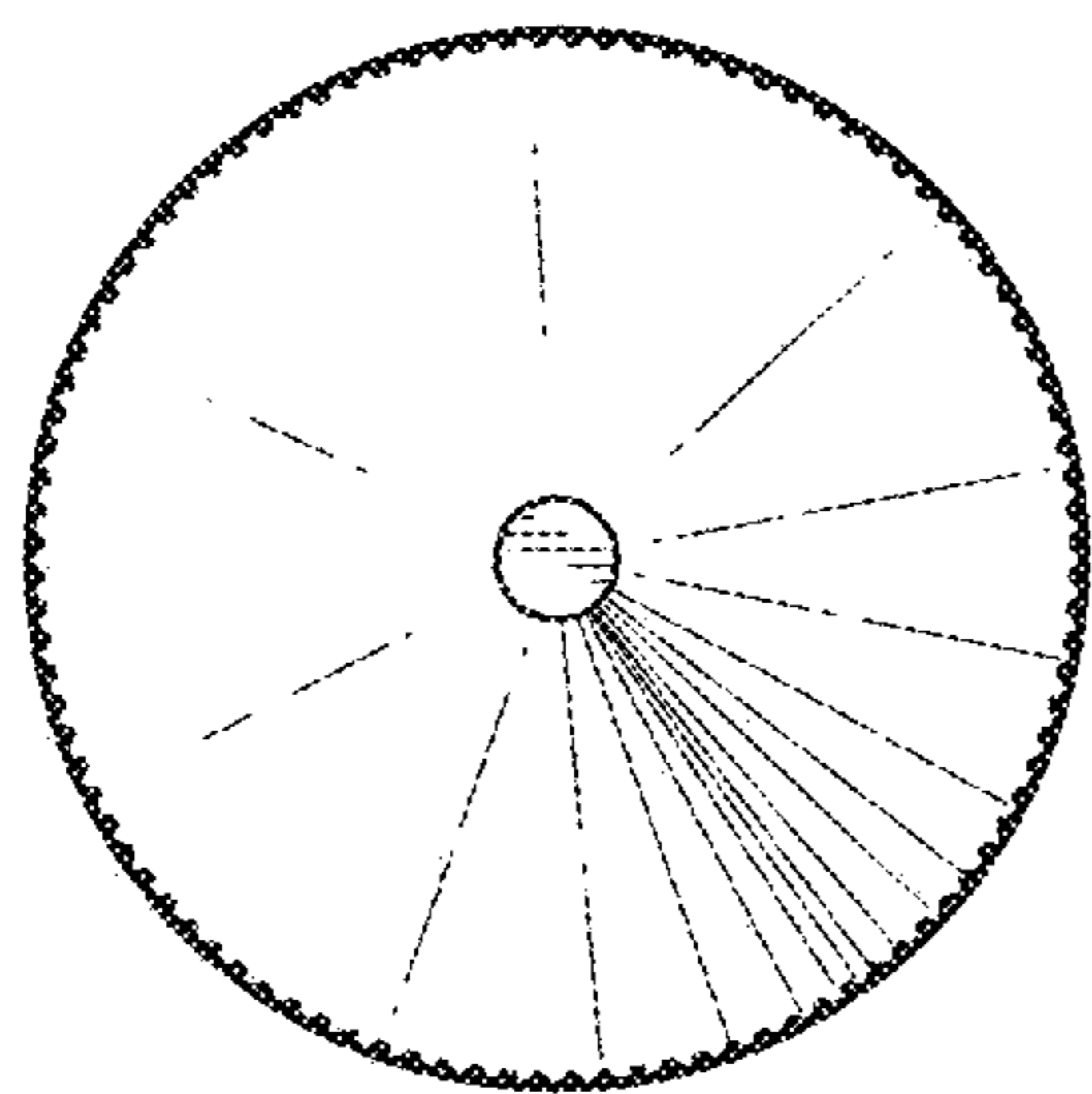


FIG. 18

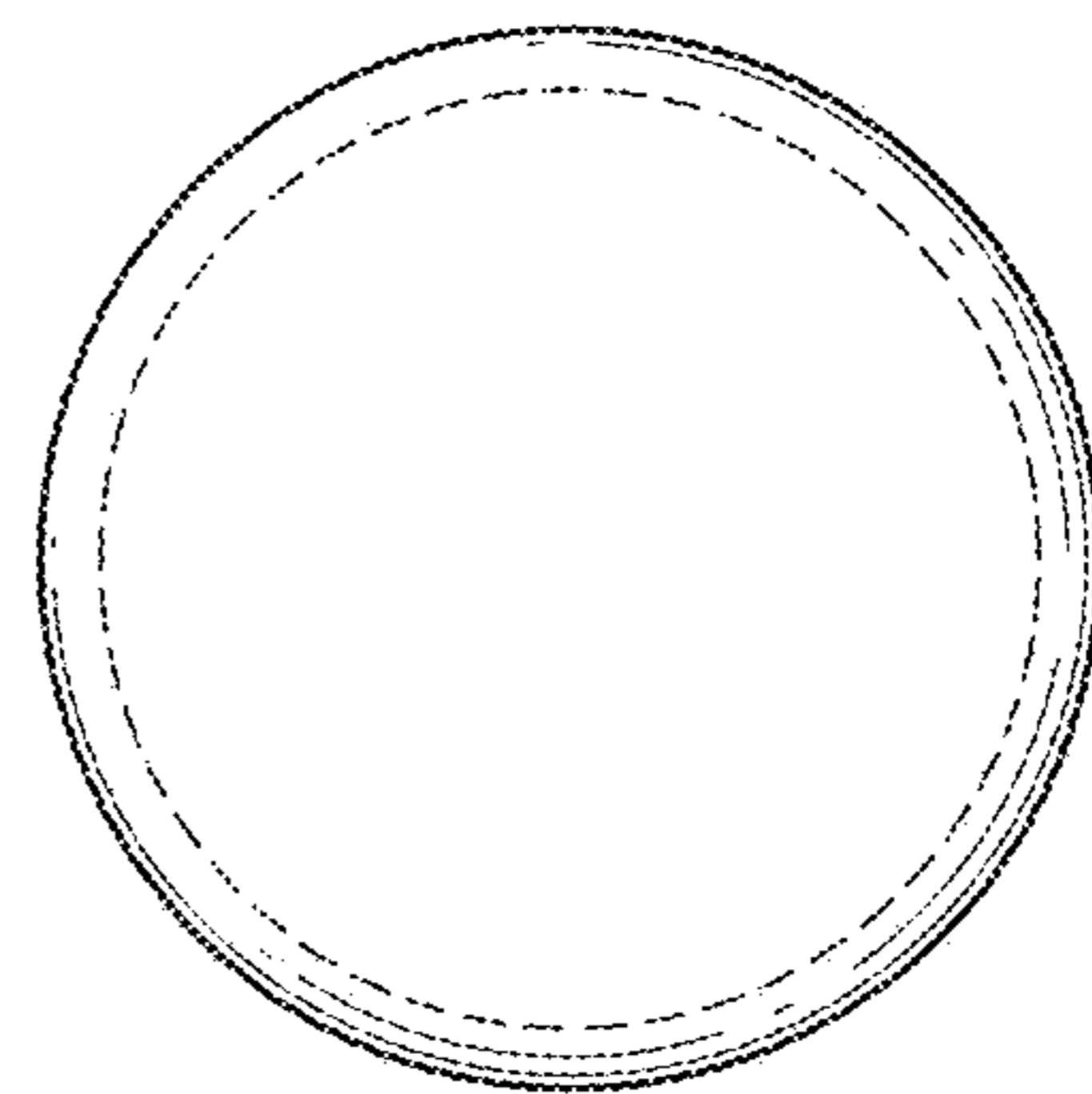


FIG. 19

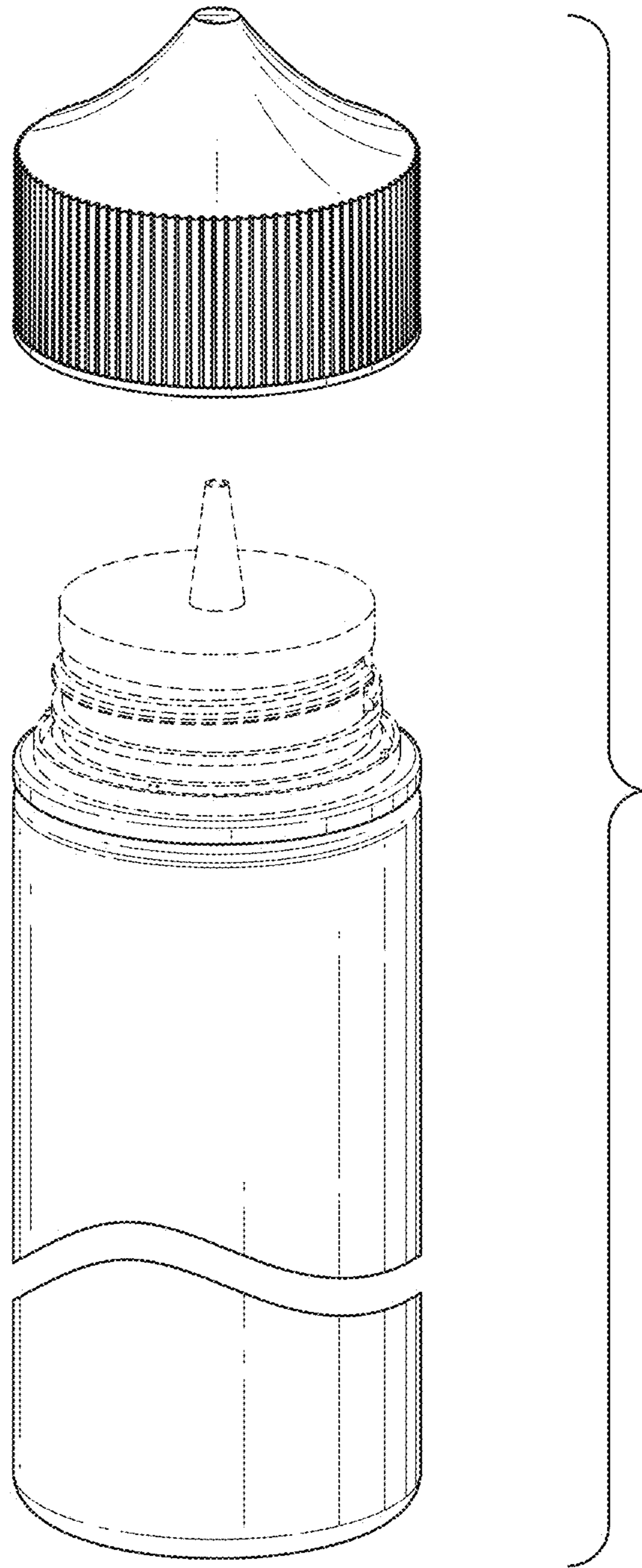


FIG. 20

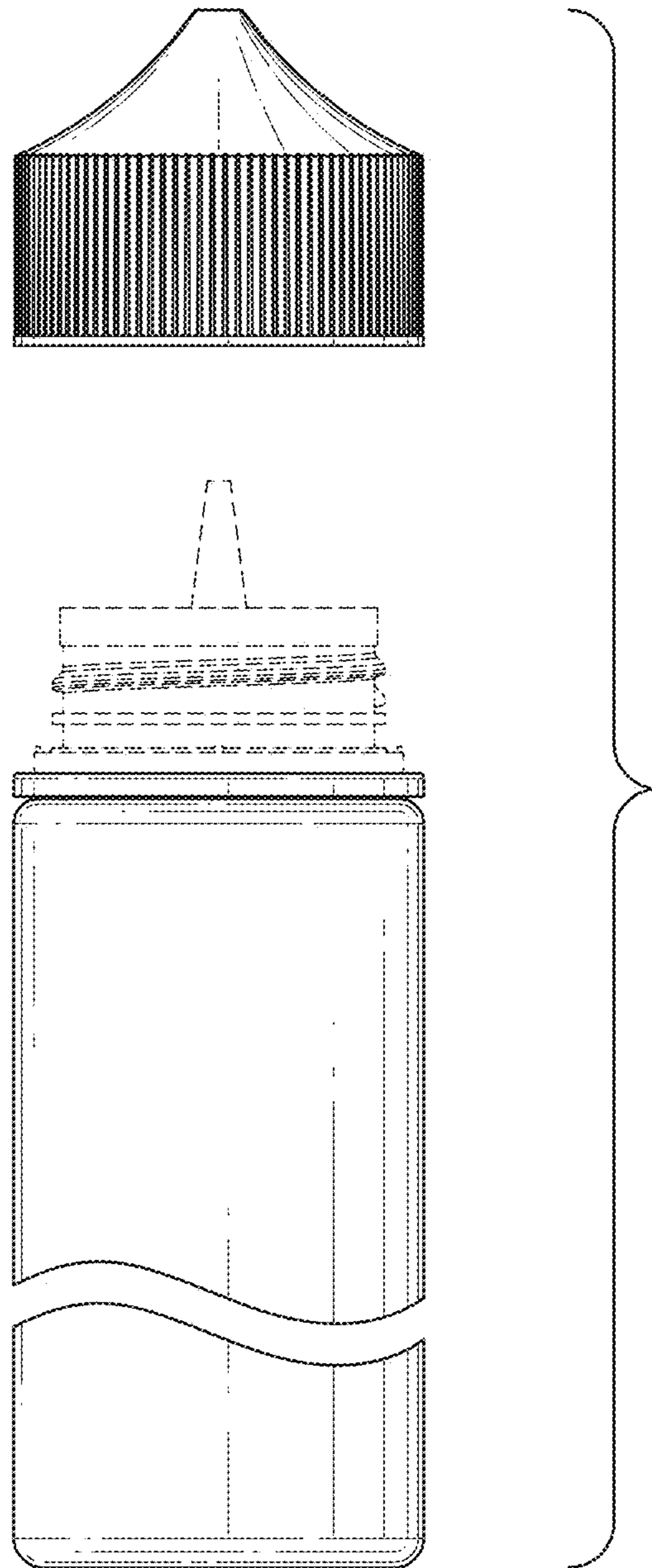


FIG. 21

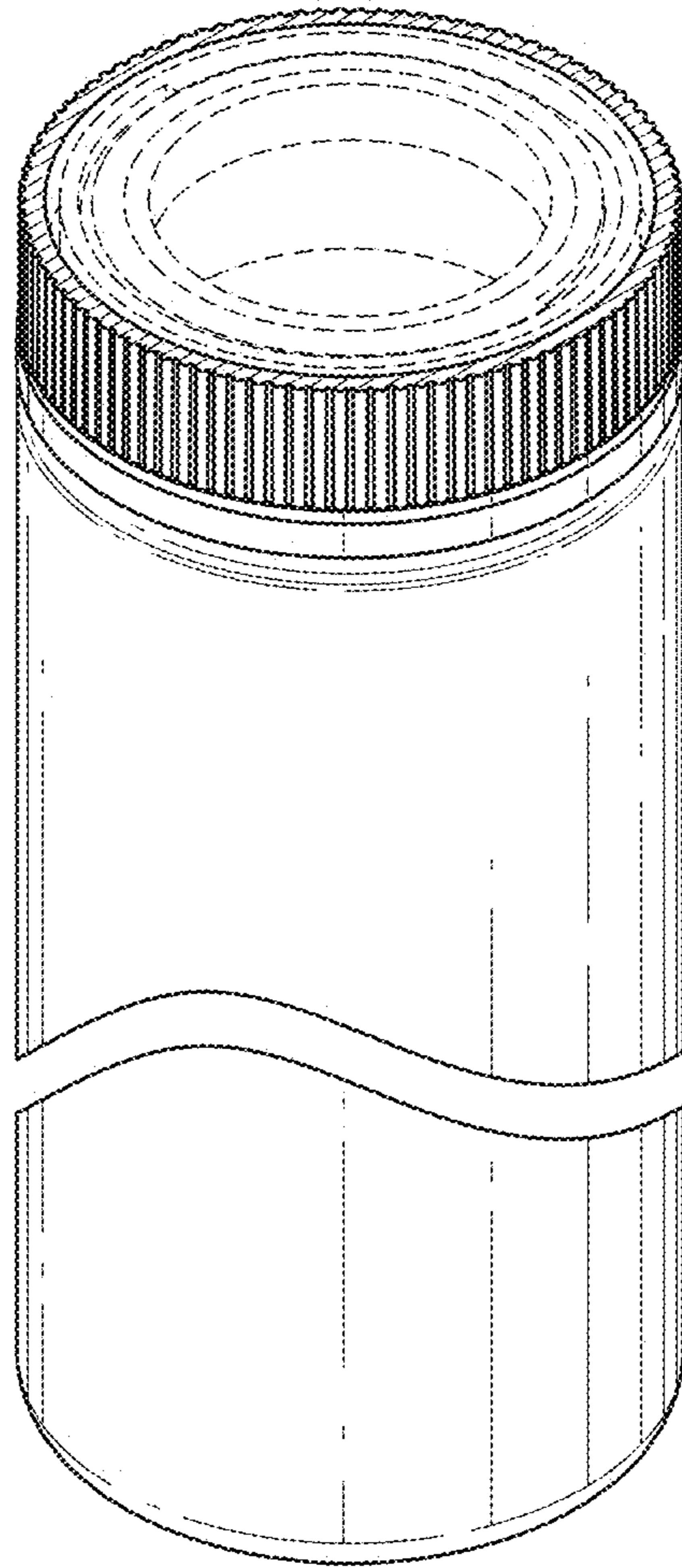


FIG. 22

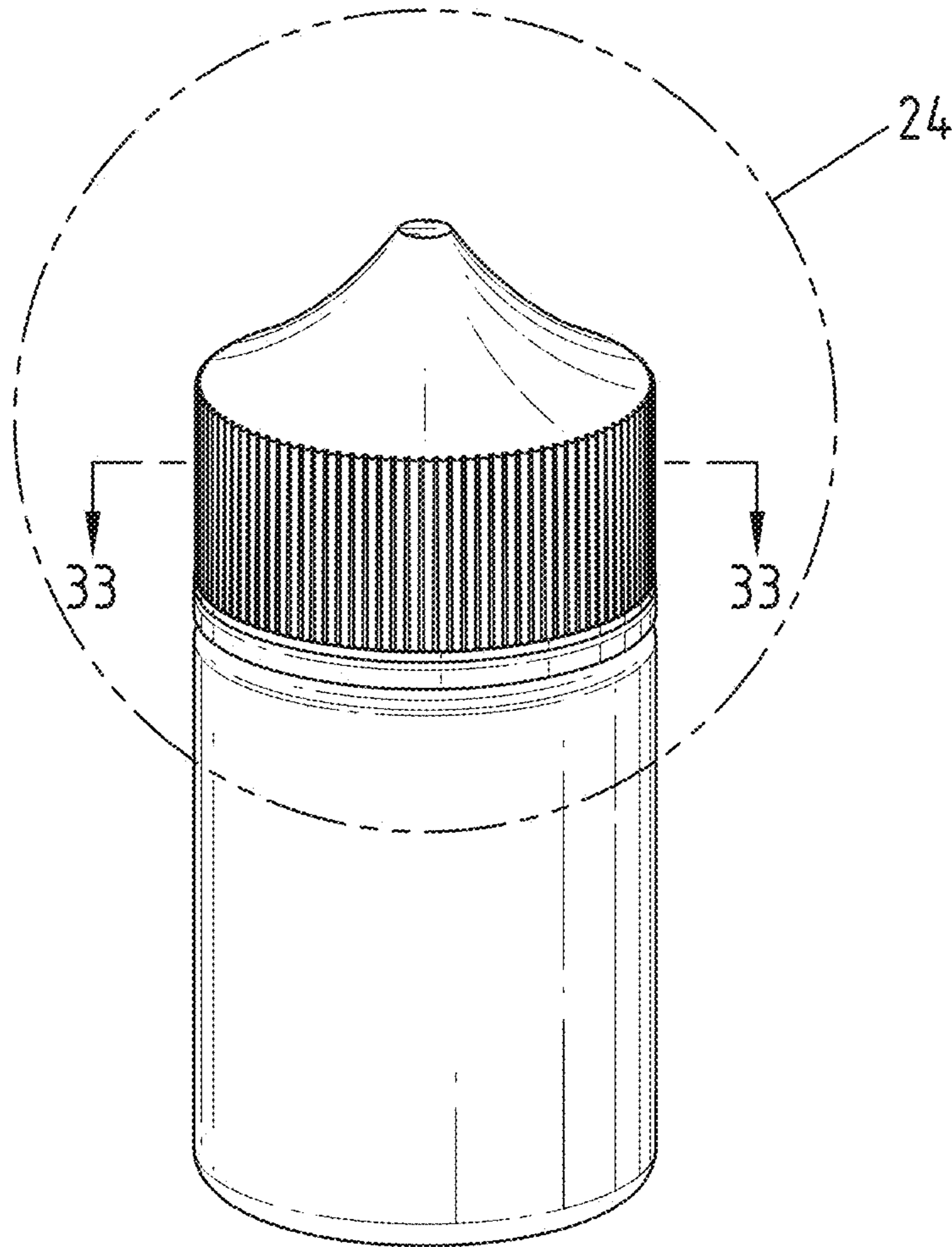


FIG. 23

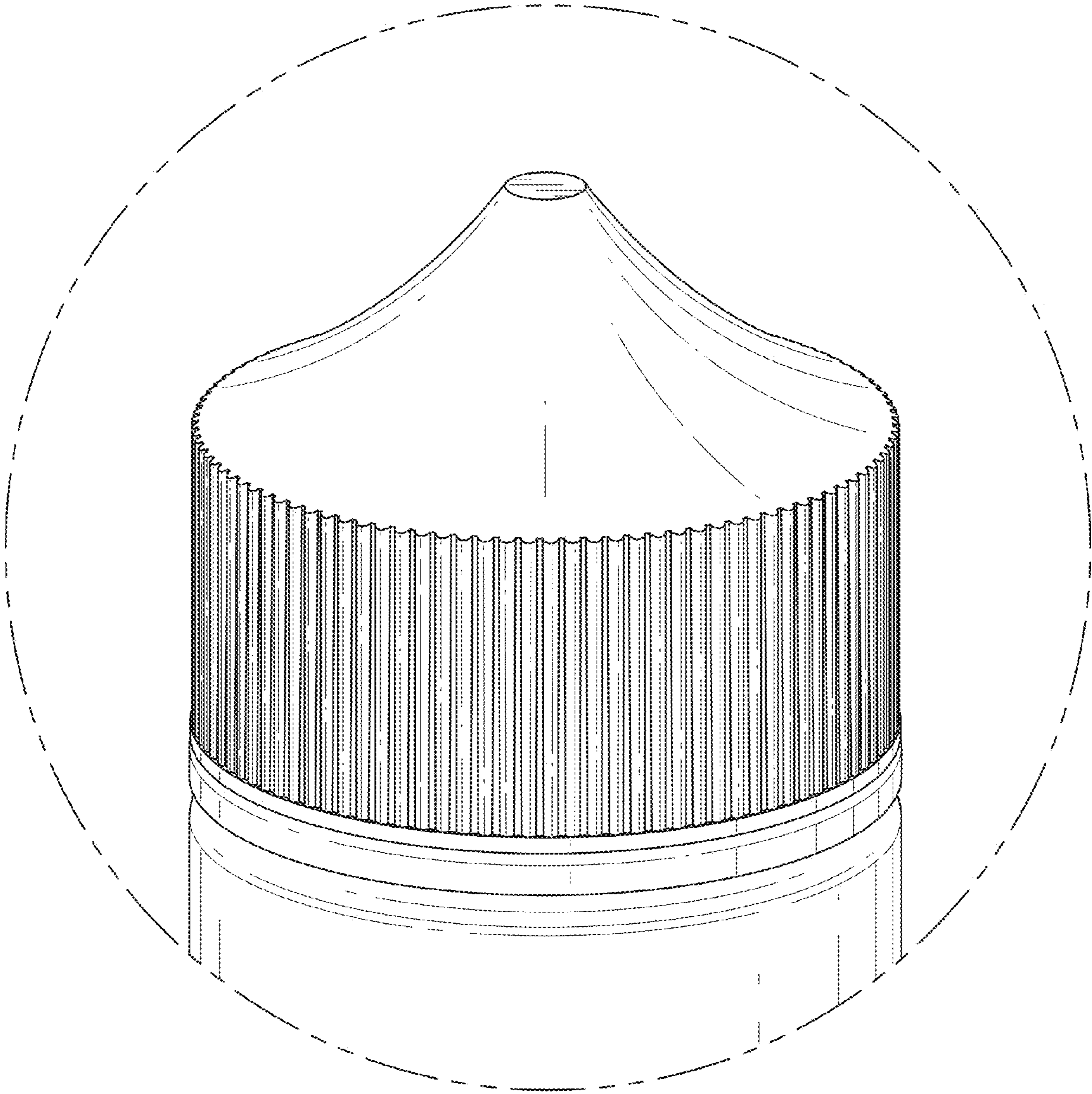


FIG. 24

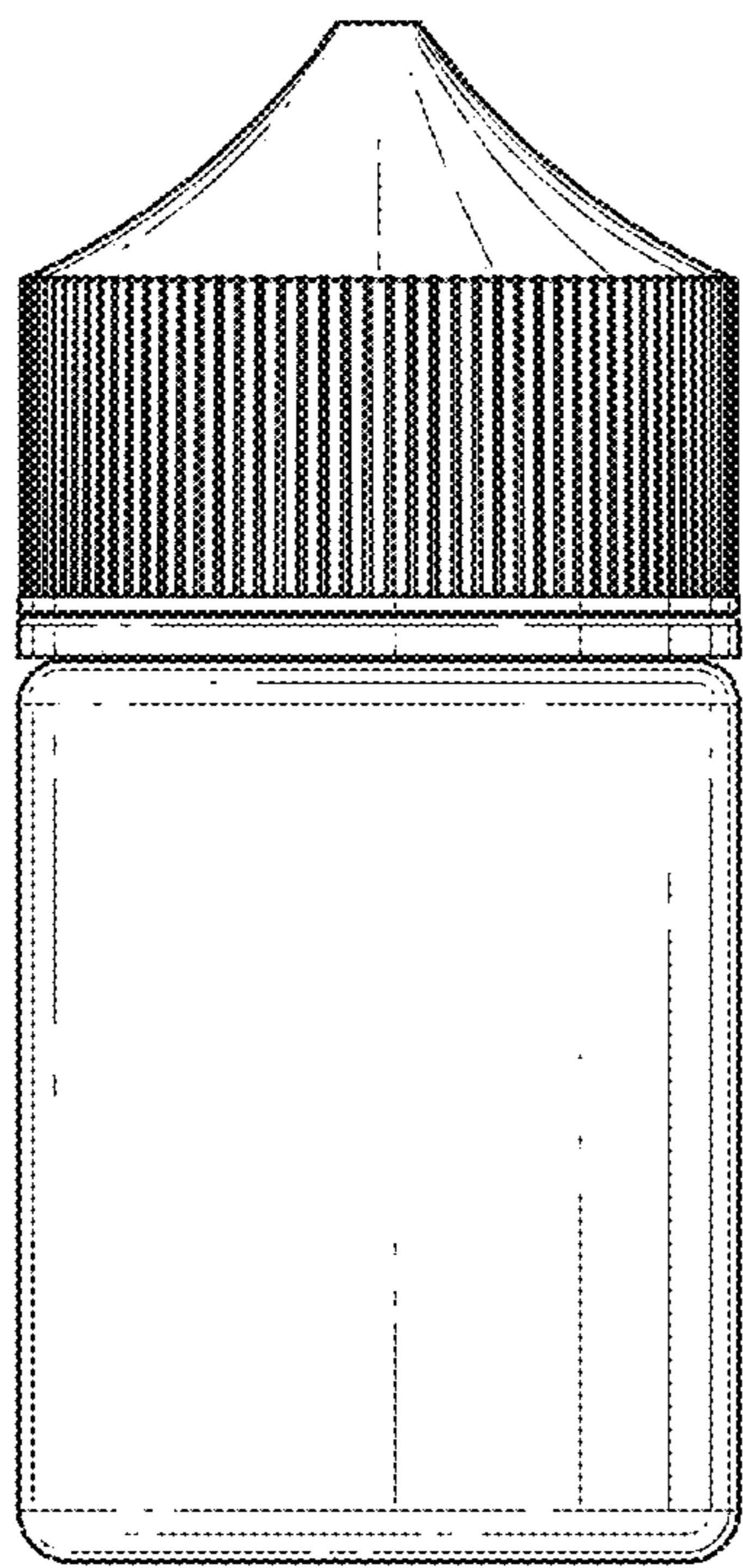


FIG. 25

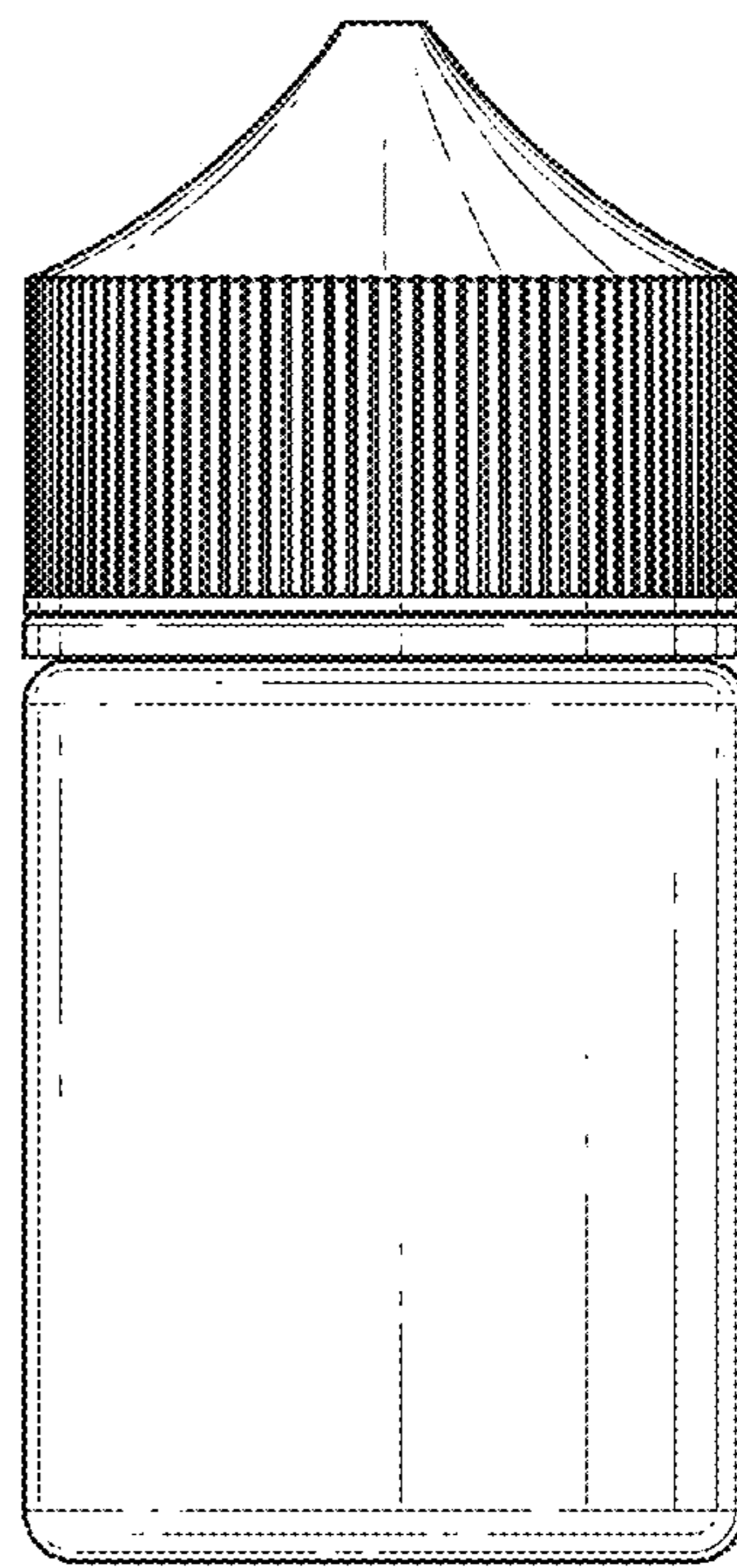


FIG. 26

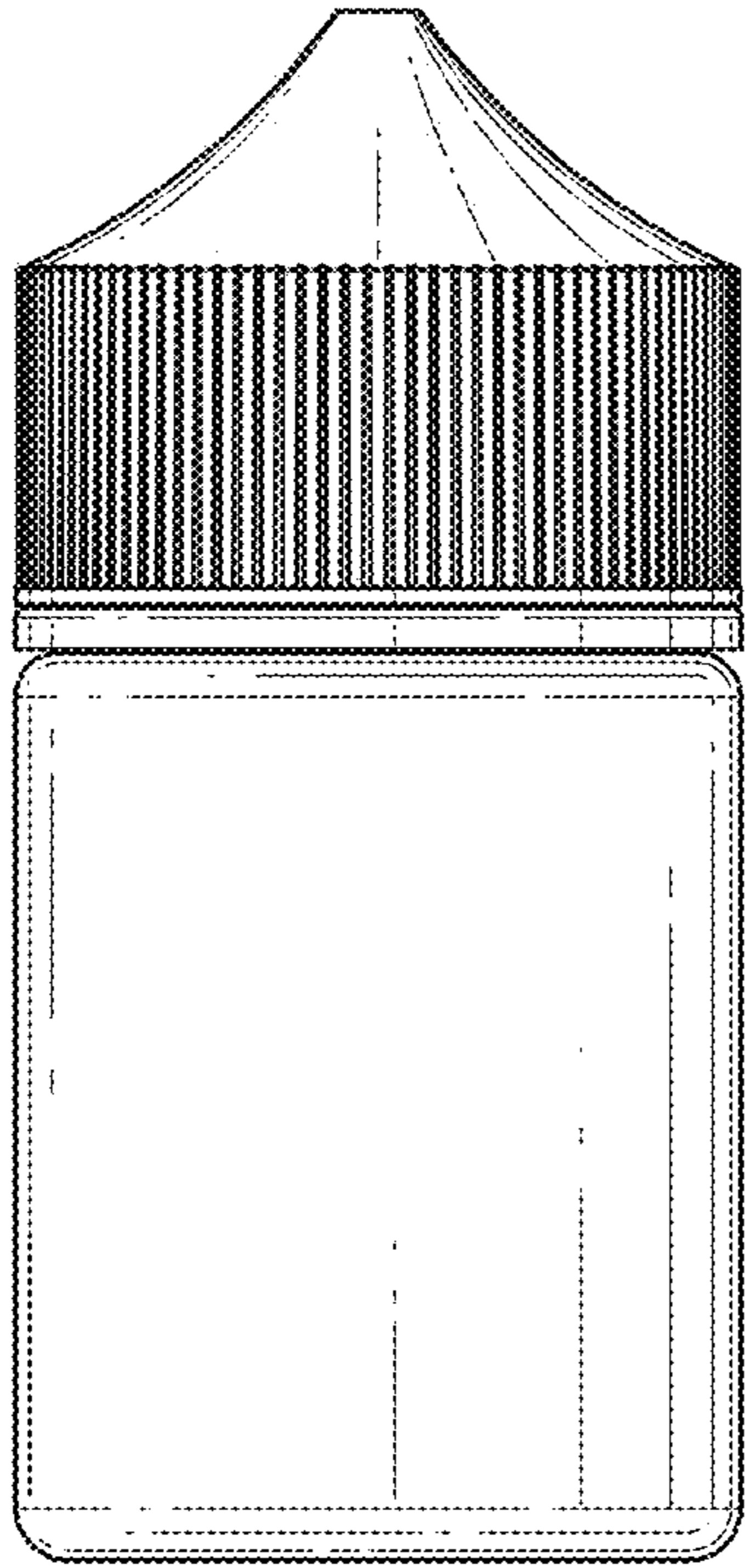


FIG. 27

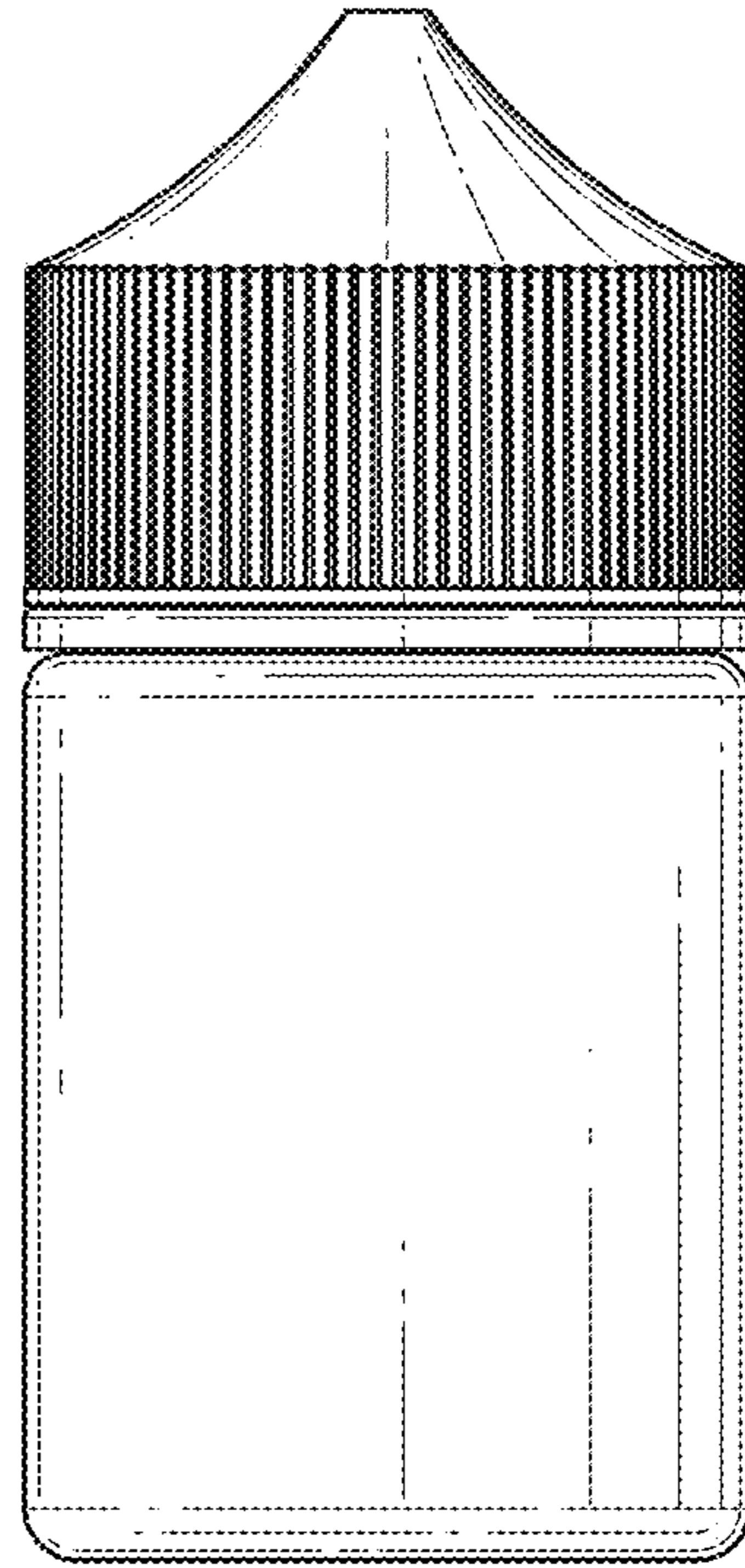


FIG. 28

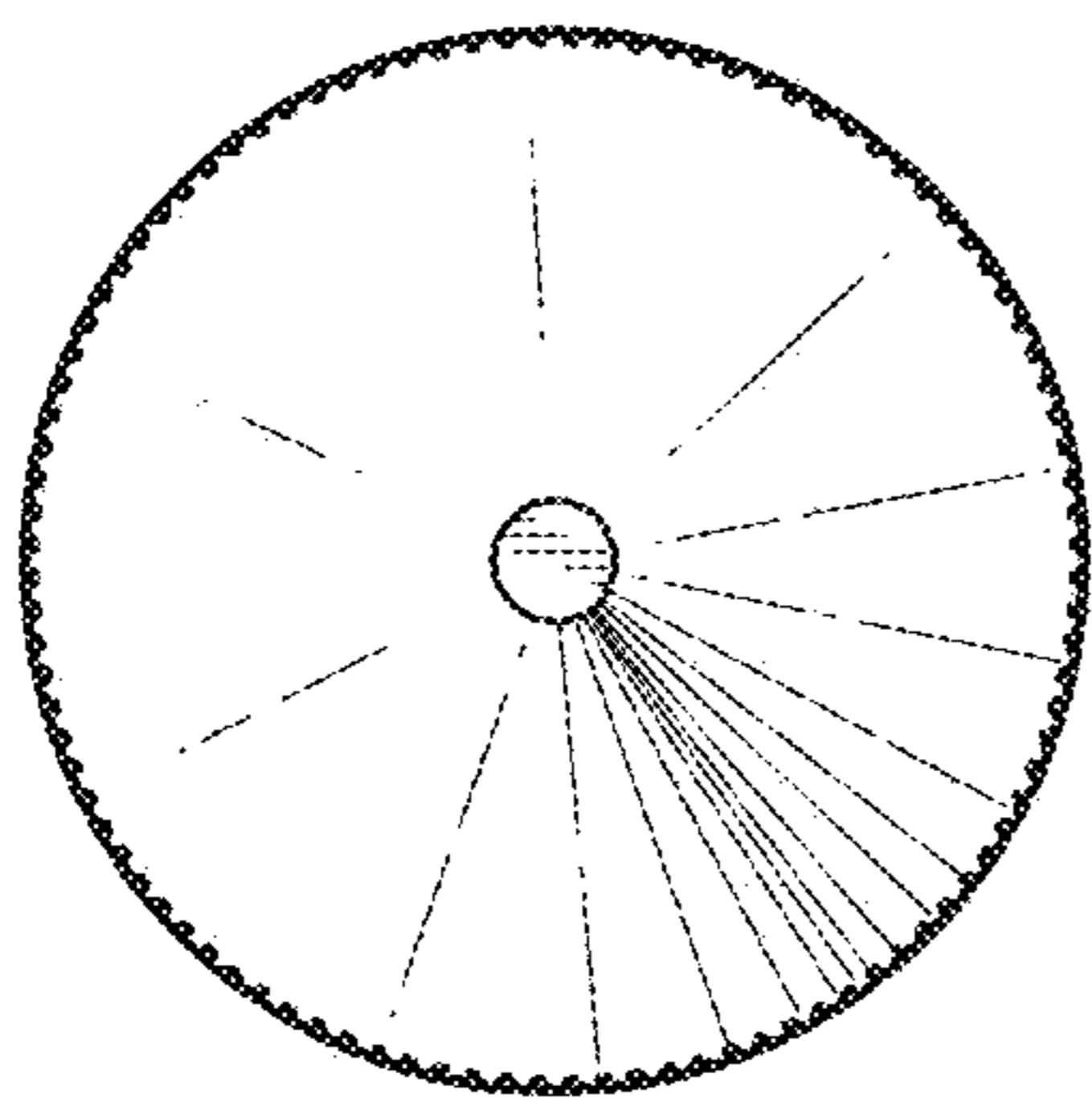


FIG. 29

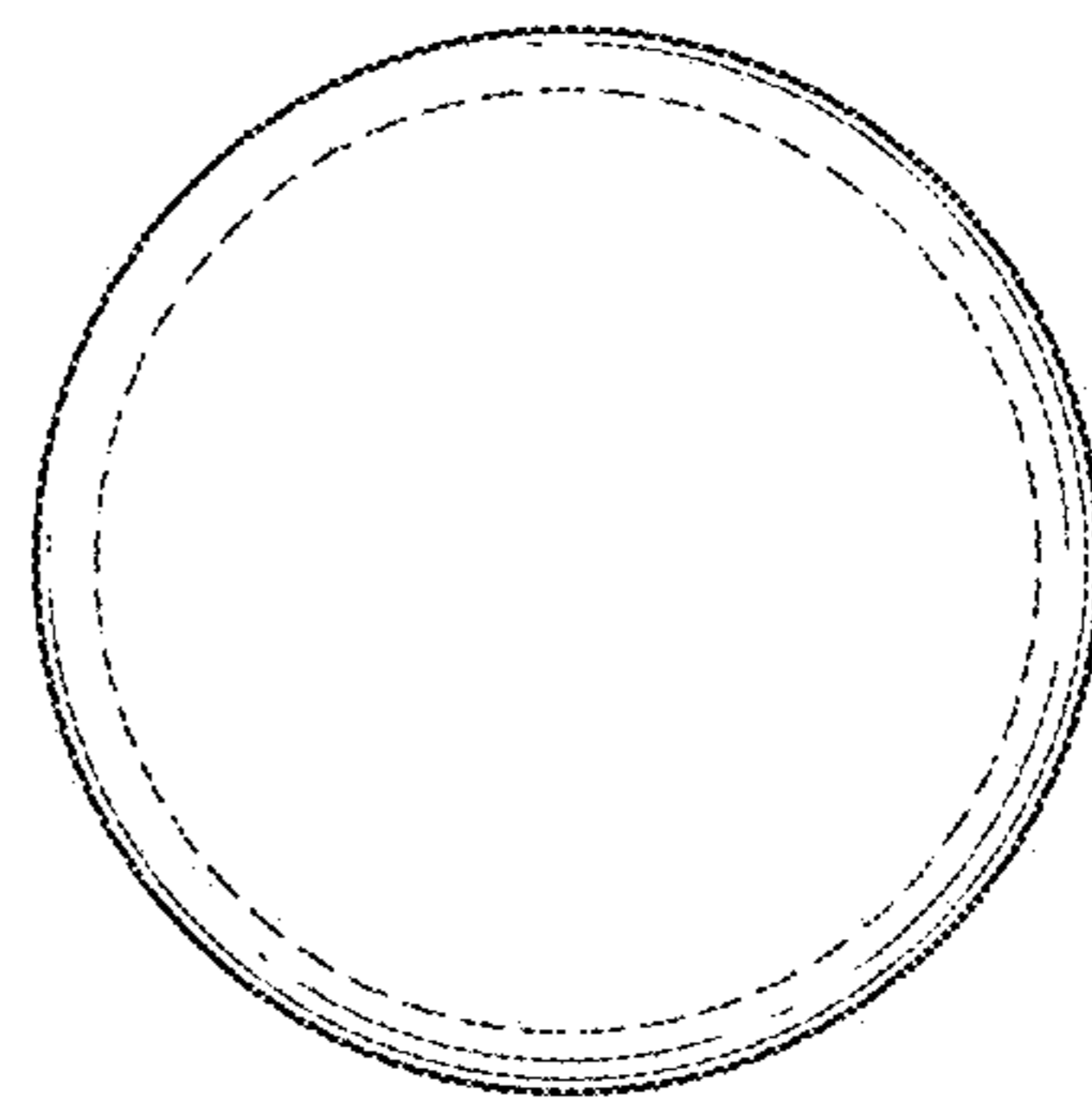


FIG. 30

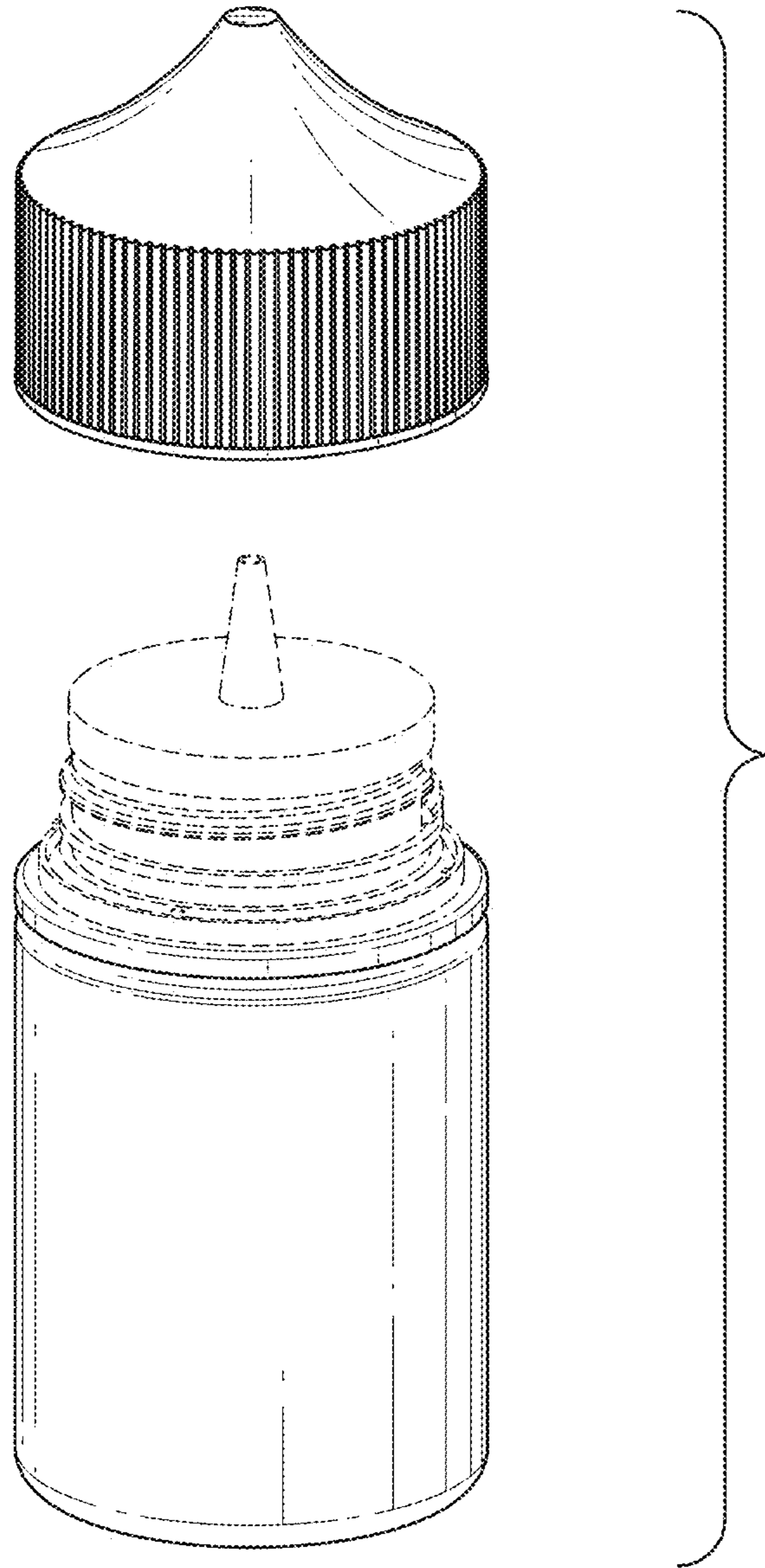


FIG. 31

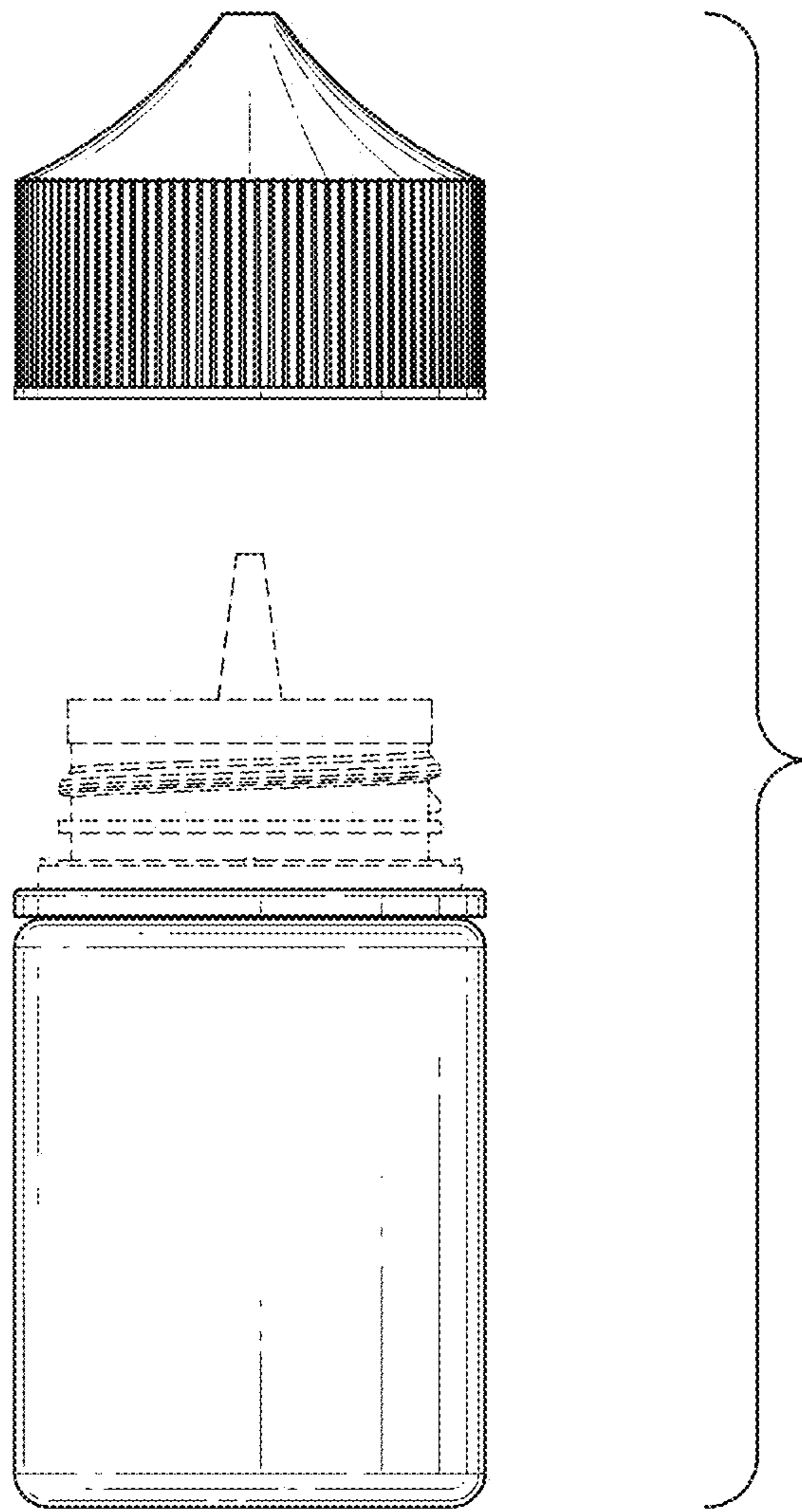


FIG. 32

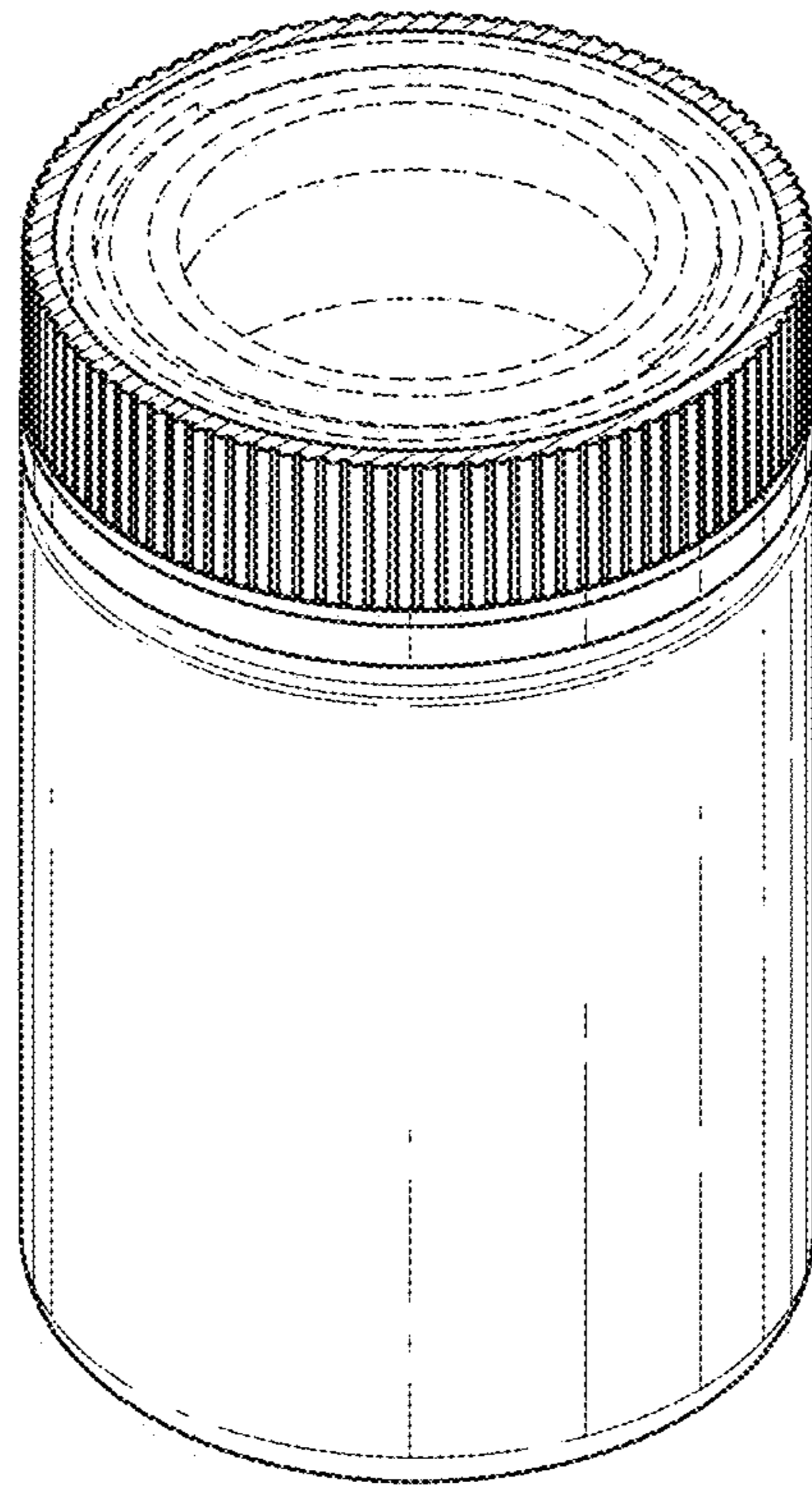


FIG. 33

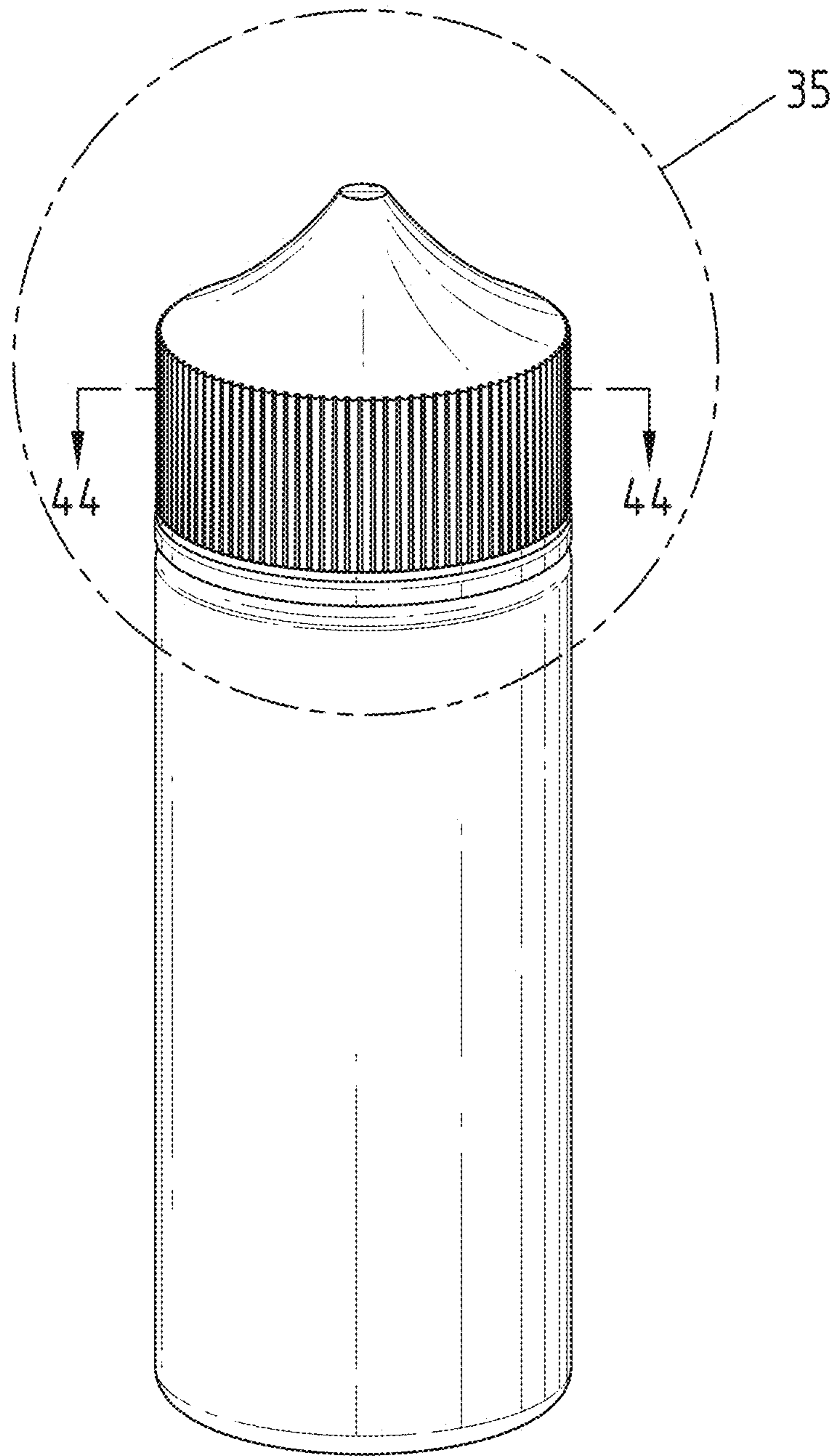


FIG. 34

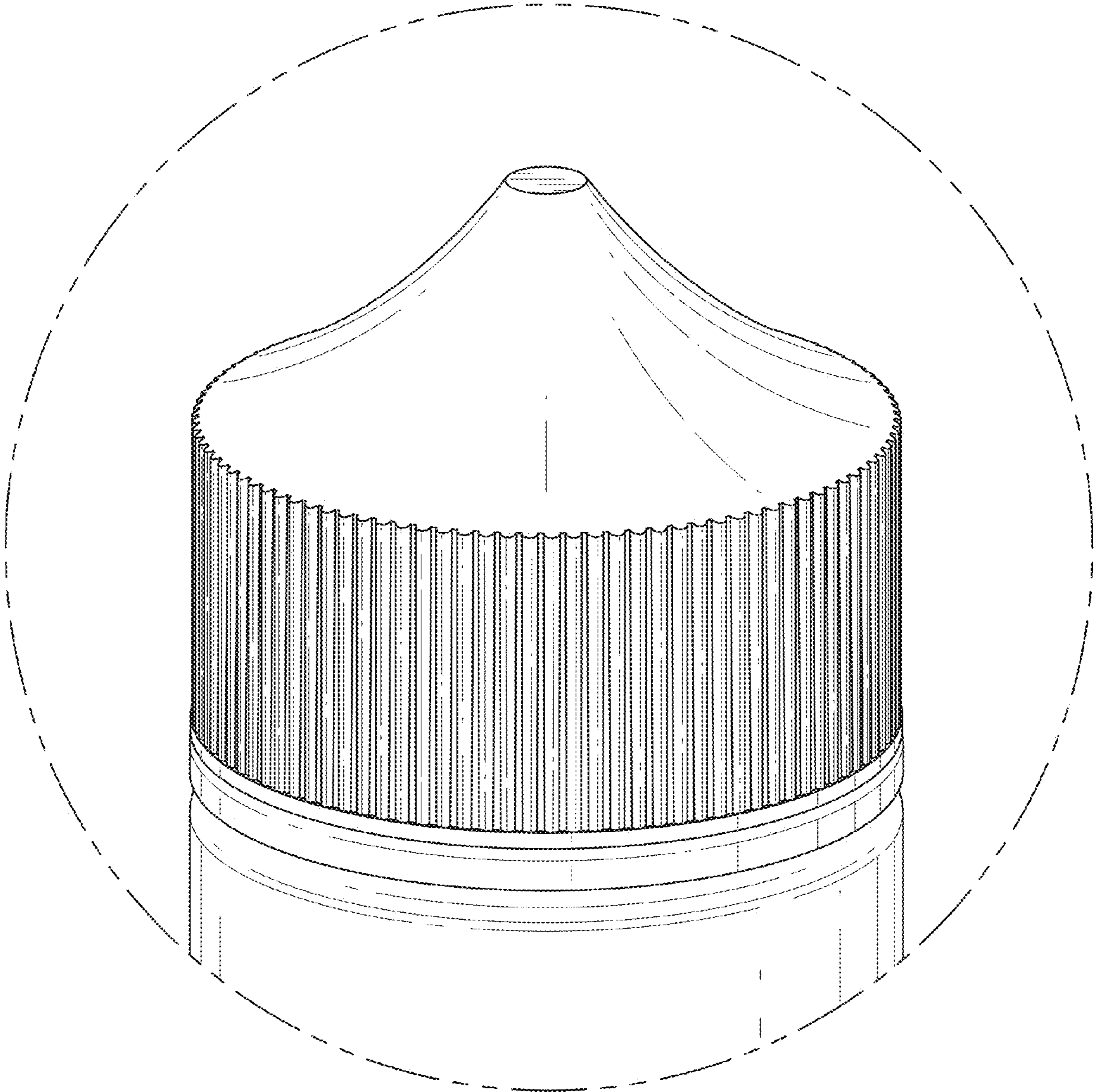


FIG. 35

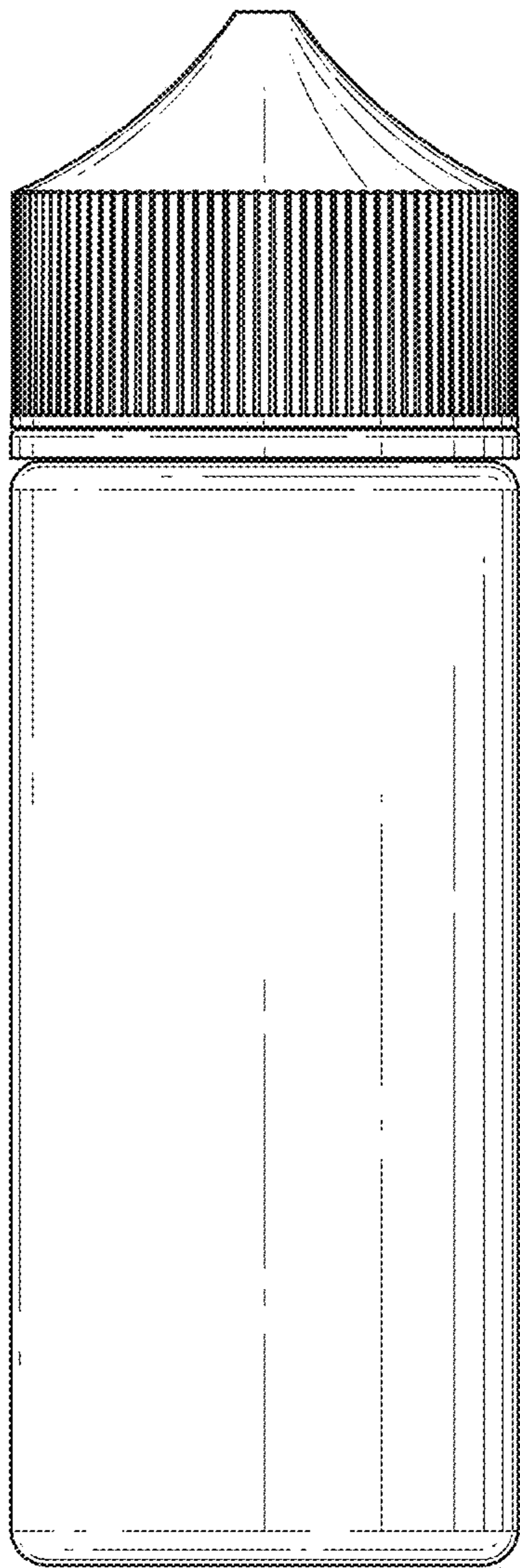


FIG. 36

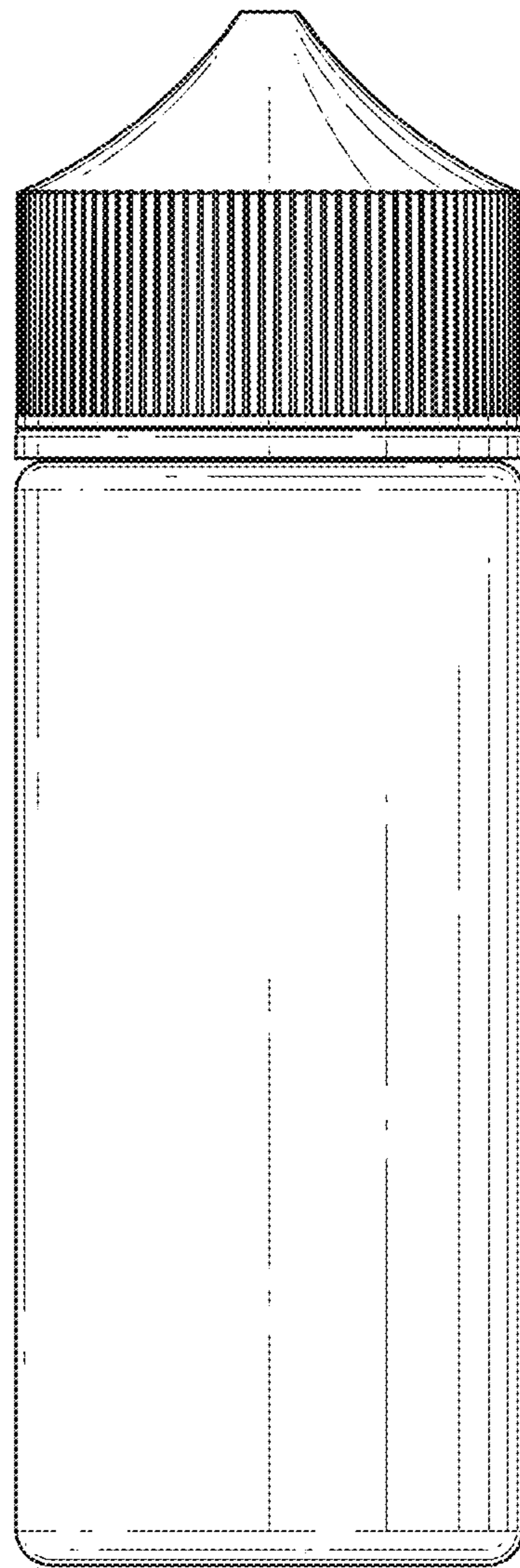


FIG. 37

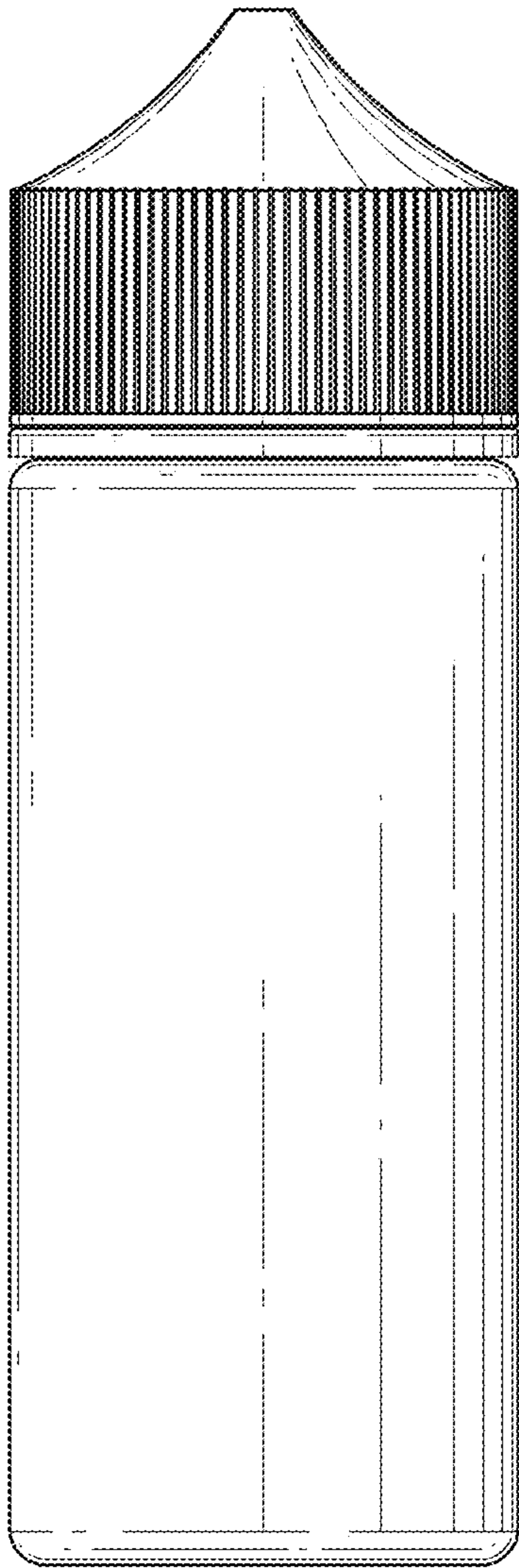


FIG. 38

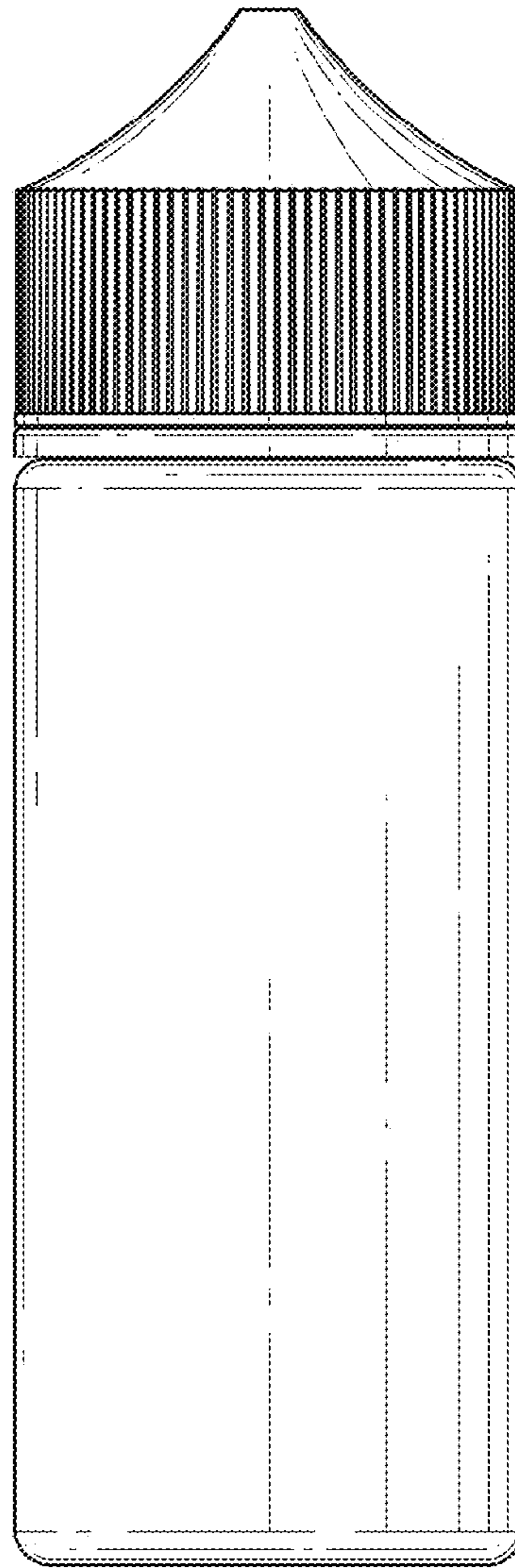


FIG. 39

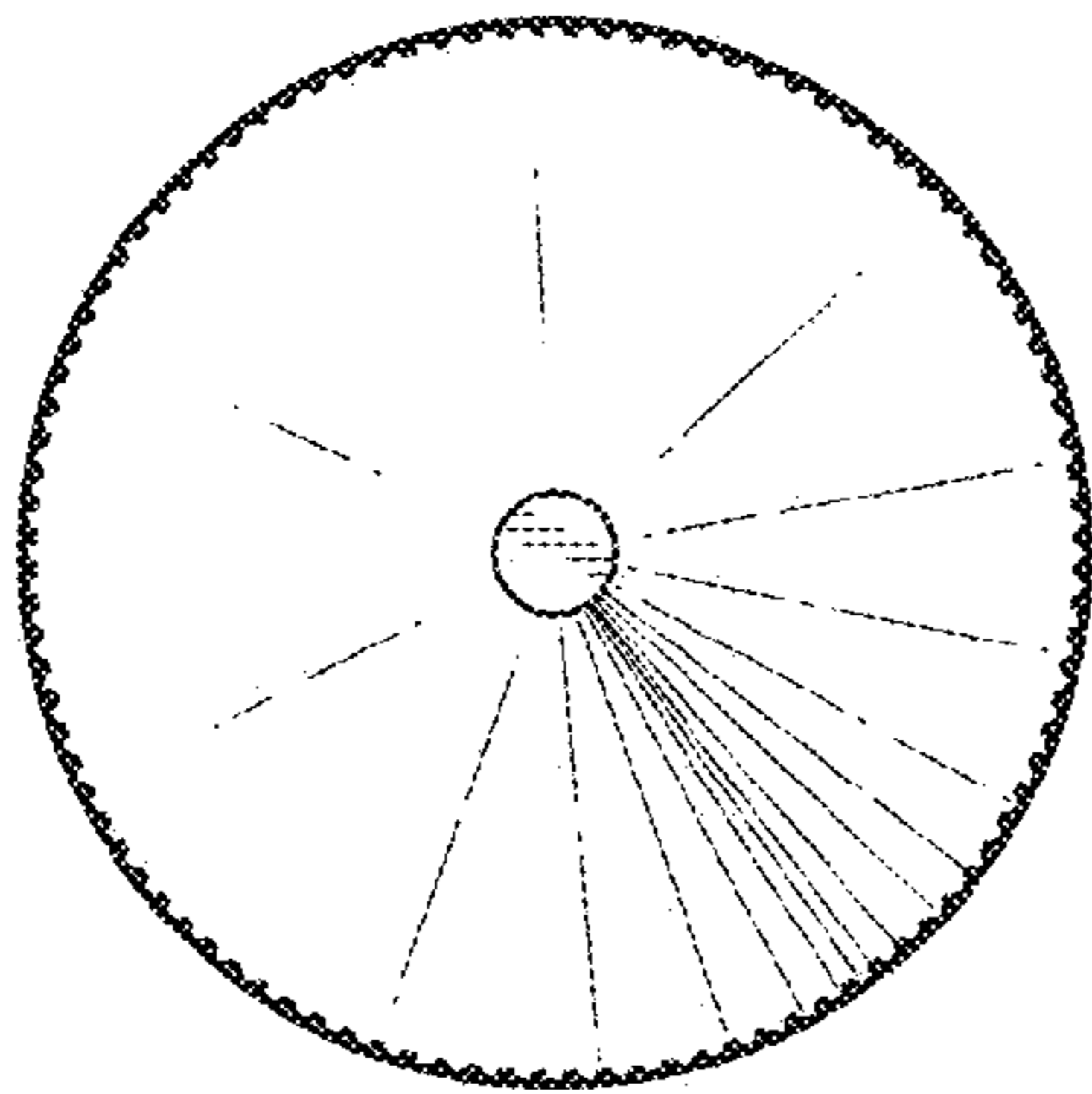


FIG. 40

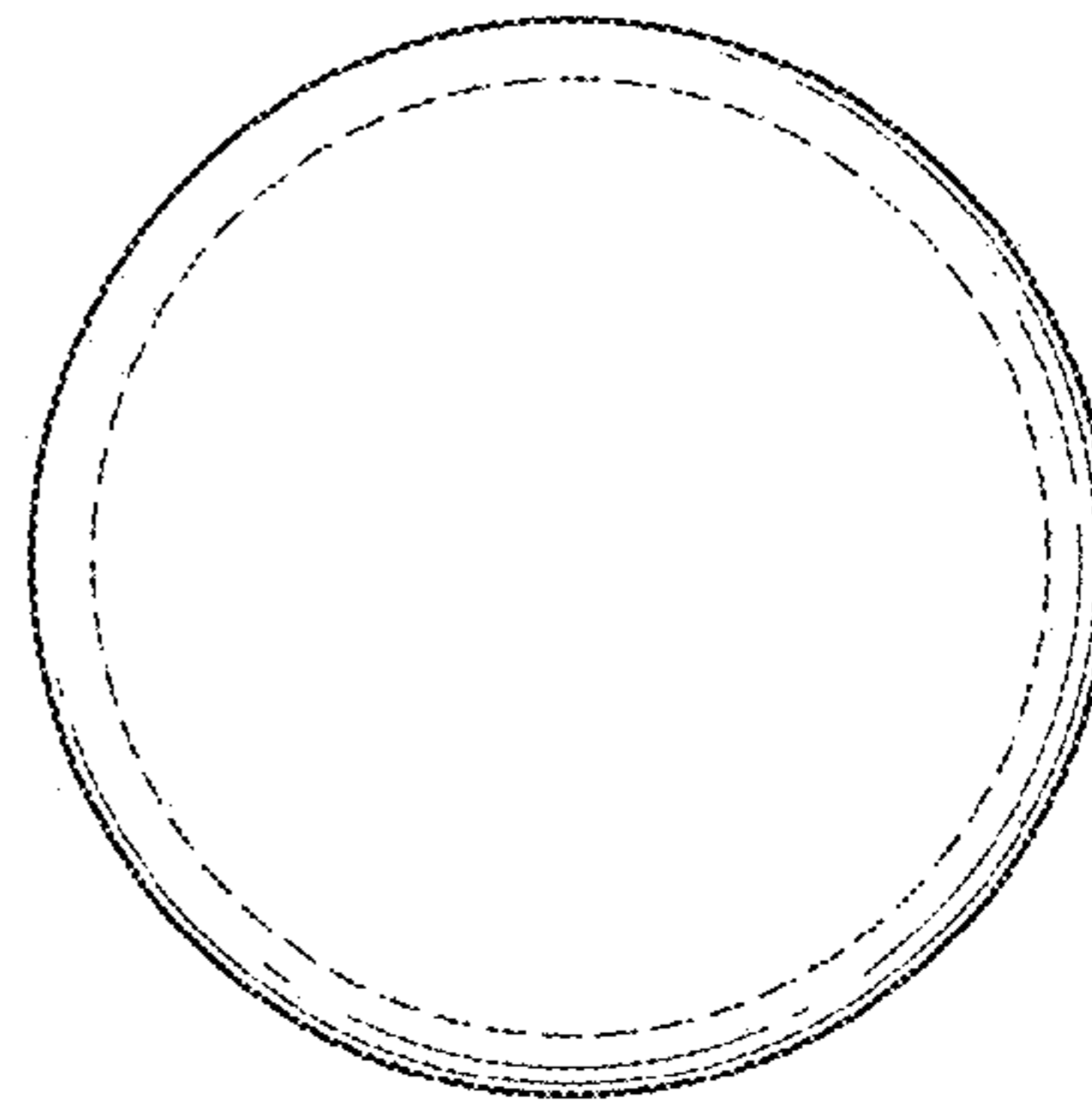


FIG. 41

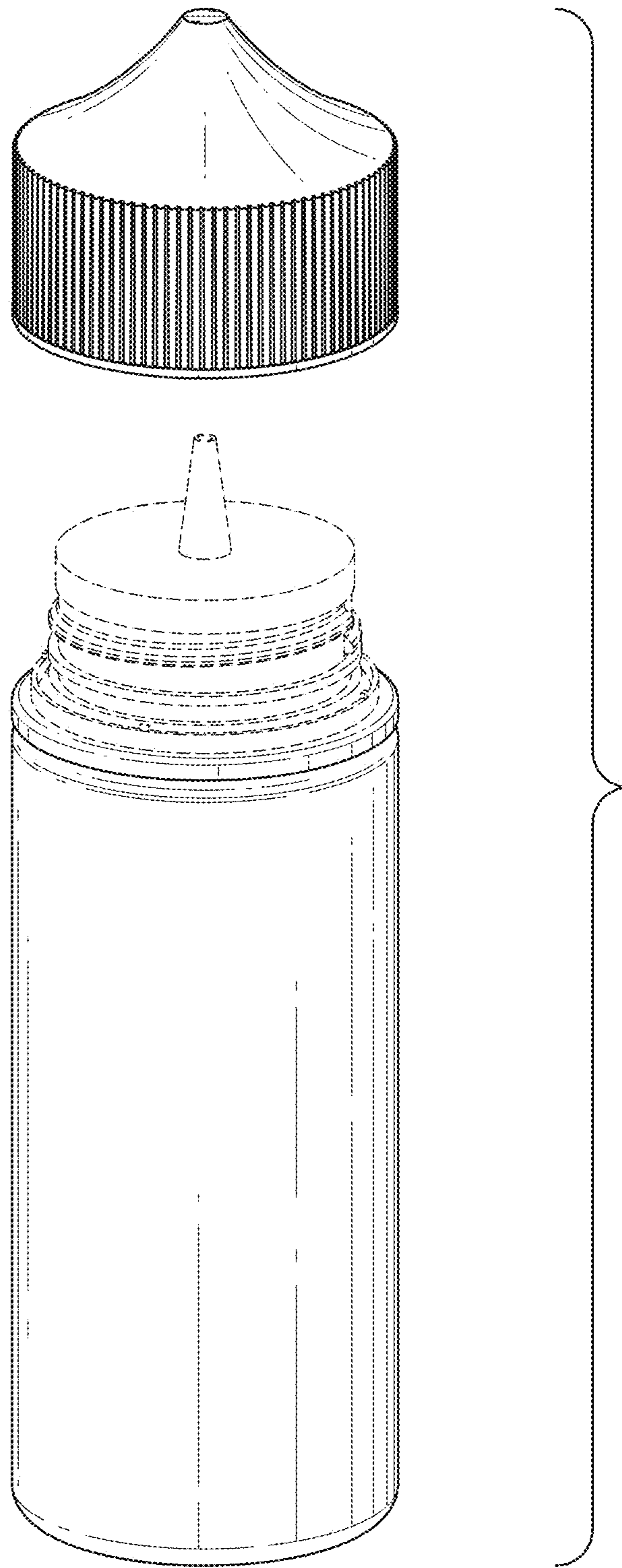


FIG. 42

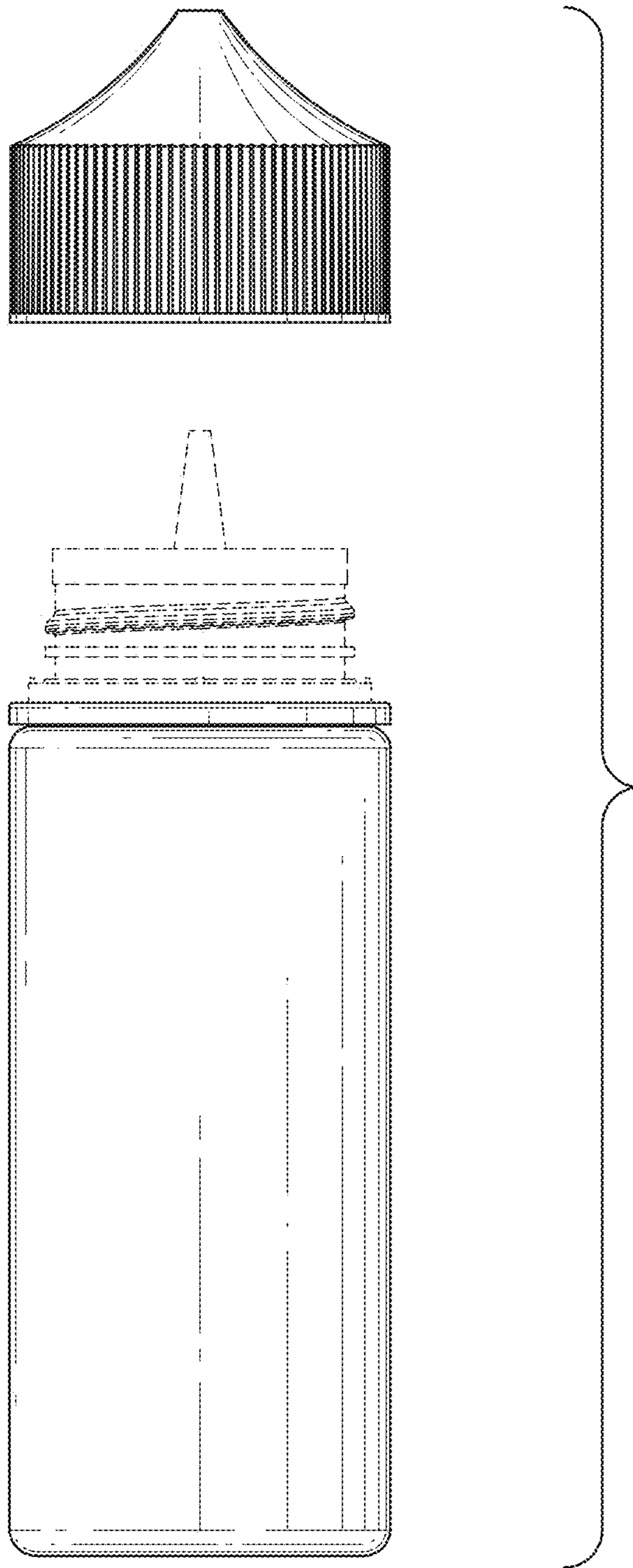


FIG. 43

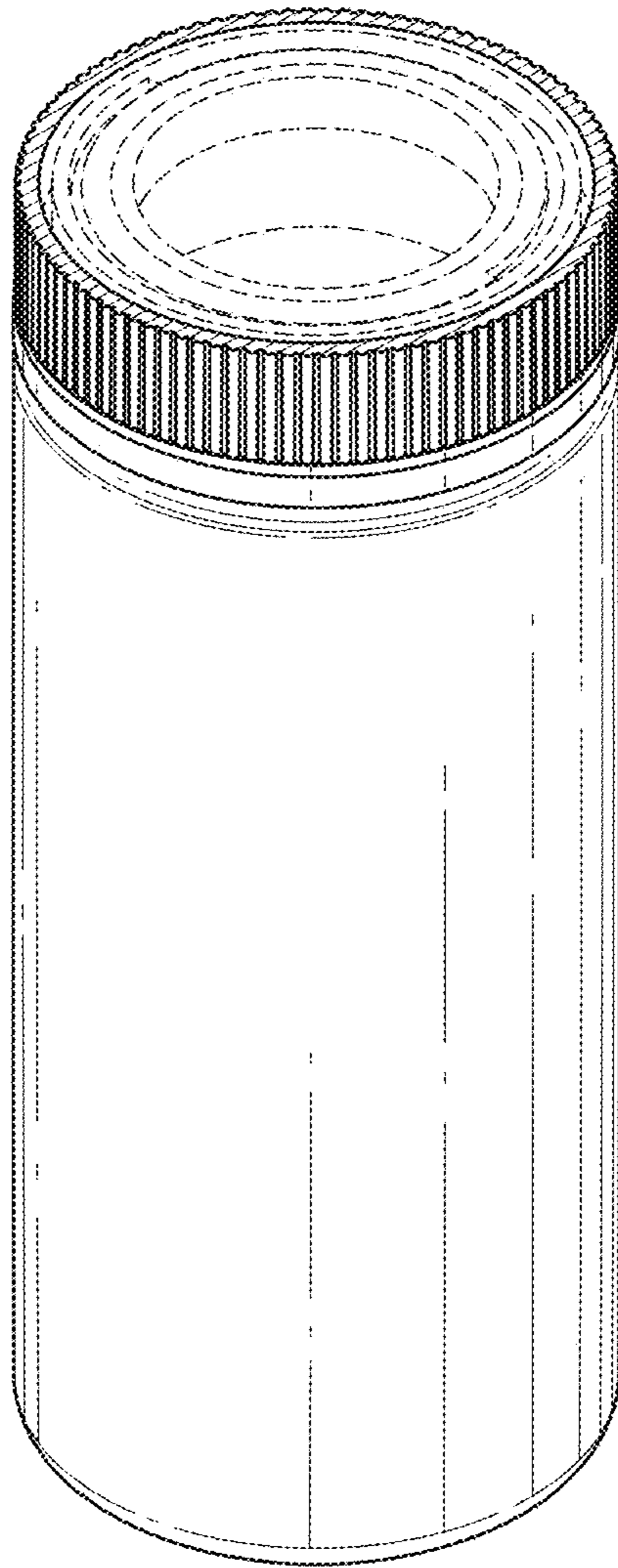


FIG. 44