



US00D908498S

(12) **United States Design Patent** (10) **Patent No.:** **US D908,498 S**  
**Natsume et al.** (45) **Date of Patent:** **\*\* Jan. 26, 2021**

(54) **INSERT FOR PACKAGING CONTAINER**

- (71) Applicant: **MAGIC LEAP, INC.**, Plantation, FL (US)
- (72) Inventors: **Shigeru Natsume**, Weston, FL (US); **Bradley Fraser**, Miami Beach, FL (US); **Haney Awad**, Fort Lauderdale, FL (US); **Sebastian Gonzalo Arrieta Gunther**, Fort Lauderdale, FL (US); **Masamune Kaji**, Plantation, FL (US); **William Wheeler**, Fort Lauderdale, FL (US)
- (73) Assignee: **Magic Leap, Inc.**, Plantation, FL (US)

(\*\*) Term: **15 Years**

(21) Appl. No.: **29/655,049**

(22) Filed: **Jun. 29, 2018**

(51) **LOC (13) Cl.** ..... **09-07**

(52) **U.S. Cl.**  
USPC ..... **D9/456**

(58) **Field of Classification Search**  
USPC ..... D6/300, 308, 546, 672, 675, 678.2;  
D7/300, 305, 306, 307, 308, 312, 313,  
D7/391, 397, 541, 550.1, 553.1, 553.2,  
D7/553.3, 555.589, 590, 601, 602, 701;  
D9/414, 415, 418, 420, 424, 425, 426,  
D9/430, 432, 433, 434, 455, 456, 457,  
D9/499, 721, 722, 737, 756, 759, 760,  
D9/761, 612, 653, 661, 667, 674; D19/3,  
D19/75, 107; D20/11, 14, 19, 21, 22, 27,  
D20/40, 42, 43, 44; D14/300, 308, 313,  
(Continued)

(56) **References Cited**

**U.S. PATENT DOCUMENTS**

- D229,037 S \* 11/1973 Funuhashi ..... D9/432
  - D259,794 S \* 7/1981 Henkels ..... D10/57
- (Continued)

**OTHER PUBLICATIONS**

Magic Leap Augmented Reality Kit: Announced Aug. 17, 2018 [online]. Site Visited [Aug. 29, 2019]. Available from Internet URL: <https://www.youtube.com/watch?v=Vrq2akzdFq8>.\*

*Primary Examiner* — Catherine S Posthauer  
(74) *Attorney, Agent, or Firm* — Vista IP Law Group, LLP

(57) **CLAIM**

The ornamental design for an insert for packaging container, as shown and described.

**DESCRIPTION**

The present application is related to U.S. Design patent application Ser. No. 29/655,043, filed on Jun. 29, 2018 and entitled "Insert." The contents of the aforementioned patent application are hereby expressly and fully incorporated by reference in their entirety, as though set forth in full.

FIG. 1 is a perspective view of an Insert for packaging container showing our new design in a position of use with exemplary environmental subject matter of an additional insert and box;

FIG. 2 is a perspective view thereof, with the exemplary environmental subject matter removed to show aspects of the design not visible when combined;

FIG. 3 is a front view thereof;

FIG. 4 is a rear view thereof;

FIG. 5 is a left view thereof;

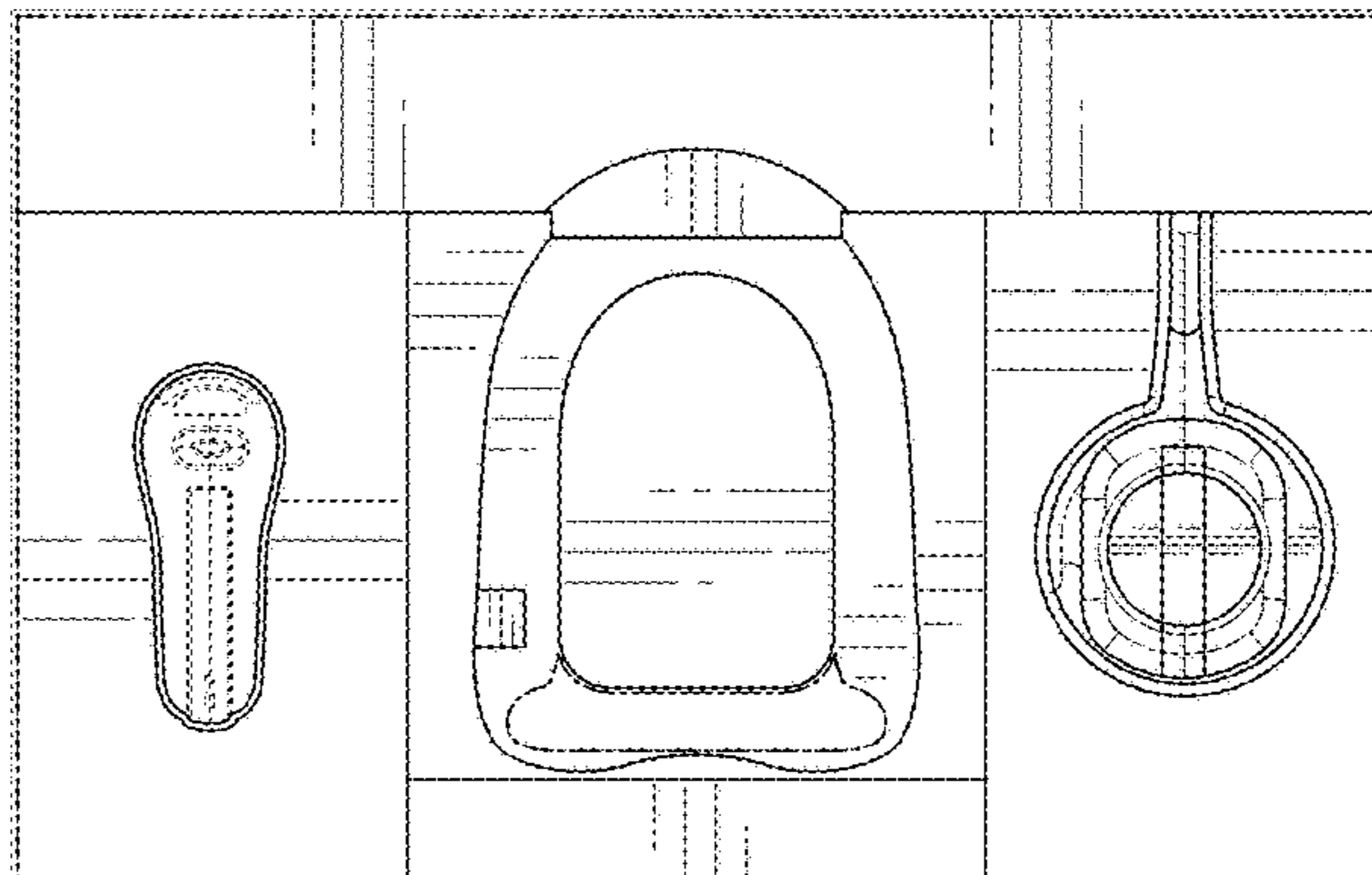
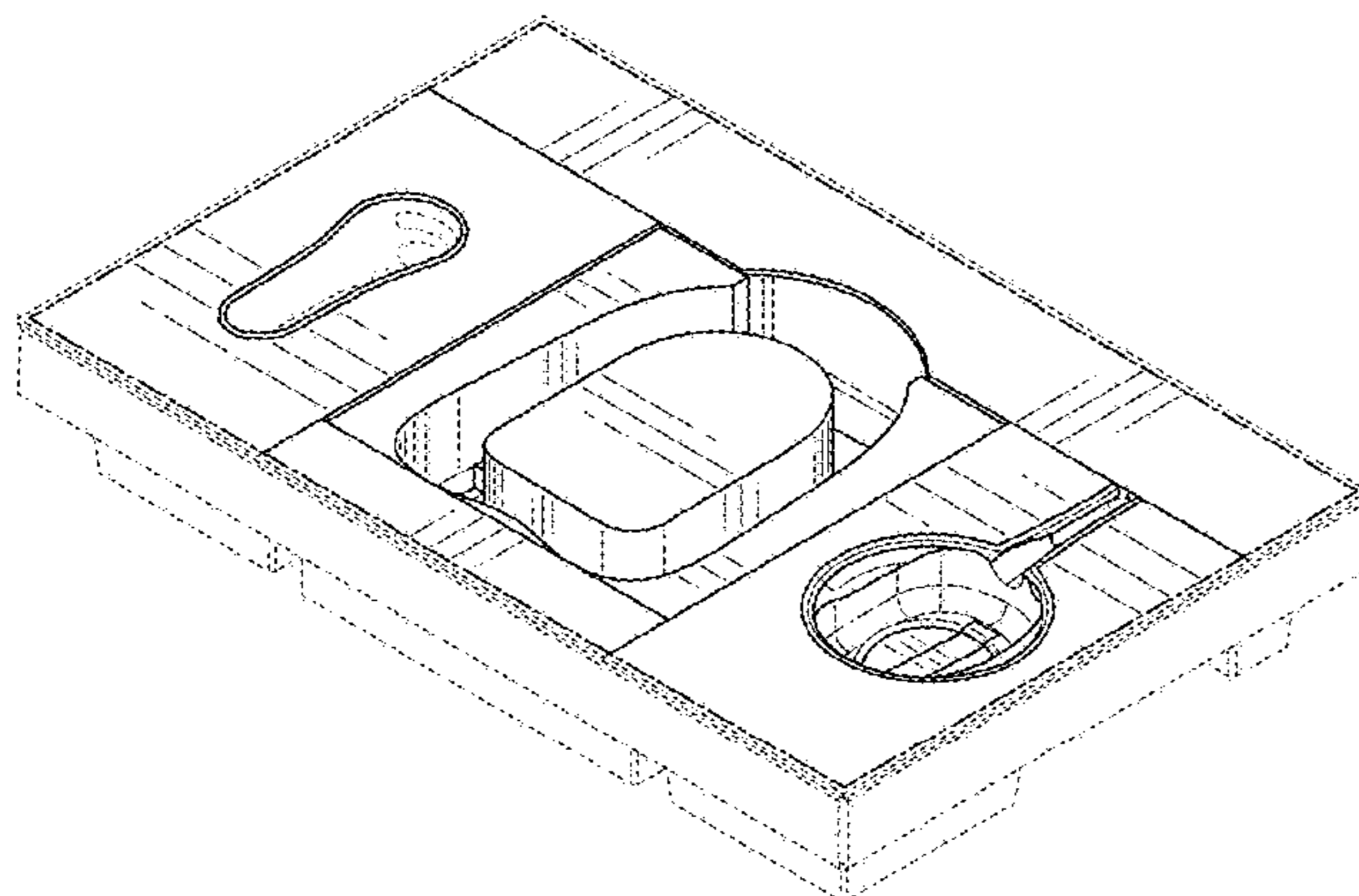
FIG. 6 is a right view thereof;

FIG. 7 is a top view thereof; and,

FIG. 8 is a bottom view thereof.

The evenly broken lines represent parts of the article and exemplary environmental subject matter of an insert and a box. The dot-dash broken lines represent the boundaries of the claim. None of the broken lines form part of the claimed design.

**1 Claim, 8 Drawing Sheets**



(58) **Field of Classification Search**

USPC ..... D14/314, 348–356, 441–446, 489, 491,  
 D14/492, 494, 495; D5/6, 7, 11, 23, 25,  
 D5/26, 37, 45, 56, 57, 58, 59.6, 61, 62  
 CPC ..... A47J 47/20; B65D 21/083; B65D 21/086;  
 B65D 57/00; B65D 61/02; B65D 81/133;  
 B65D 5/01; B65D 5/02; B65D 5/0254;  
 B65D 5/0045; B65D 5/18; B65D 5/2033;  
 B65D 5/38; B65D 5/40; B65D 5/48038;  
 B65D 5/48032; B65D 5/48004; B65D  
 1/24; B65D 1/34; B65D 1/38; B65D  
 1/335; B65D 77/24; B65D 77/067; B65D  
 5/00–02; B65D 5/0209–0272; B65D  
 5/029; B65D 5/72; B65D 5/541; B65D  
 5/705; B65D 5/706; B65D 5/727; B65D  
 5/4204; B65D 1/00; B65D 1/02; B65D  
 1/0233; B65D 1/22; B65D 1/32; B65D  
 1/36; B65D 1/40; B65D 1/225; B65D  
 23/00; B65D 23/12; B65D 23/14; B65D  
 2543/00296; B65D 15/08; B65D 65/22;  
 A47L 13/00; A47L 13/10; A47L 13/12;  
 A47L 13/16; A47L 13/17; A47L 13/18

See application file for complete search history.

(56) **References Cited**

U.S. PATENT DOCUMENTS

D329,594 S \* 9/1992 Gregerson ..... D9/418

D339,523 S \* 9/1993 Bennett ..... D9/418  
 5,449,071 A \* 9/1995 Levy ..... A61B 10/0096  
 206/569  
 D363,509 S \* 10/1995 Parekh ..... D19/75  
 D369,469 S \* 5/1996 Gregory ..... D3/313  
 D373,724 S \* 9/1996 Adams ..... D9/418  
 D382,201 S \* 8/1997 Brondyke ..... D9/753  
 D448,048 S \* 9/2001 Brown, III ..... D19/75  
 D469,126 S \* 1/2003 Joss ..... D19/75  
 D572,588 S \* 7/2008 Osborn ..... D9/456  
 D590,708 S \* 4/2009 Maguire ..... D9/432  
 8,256,193 B1 \* 9/2012 Tsengas ..... B65D 83/0894  
 206/299  
 D676,321 S \* 2/2013 Jones ..... D9/456  
 D677,163 S \* 3/2013 Jones ..... D9/456  
 D756,223 S \* 5/2016 Pipes ..... D9/456  
 D757,549 S \* 5/2016 Kuo ..... D9/432  
 D767,409 S \* 9/2016 Nickell ..... D9/737  
 D798,708 S \* 10/2017 Chambers ..... D9/432  
 D805,892 S \* 12/2017 Bard ..... D9/420  
 D806,532 S \* 1/2018 Richmond ..... D9/420  
 2002/0121520 A1 \* 9/2002 Govrik ..... B65D 1/36  
 220/500  
 2007/0095703 A1 \* 5/2007 Kao ..... B65D 81/133  
 206/454  
 2016/0009473 A1 \* 1/2016 Korinek ..... B65D 43/0222  
 220/200  
 2018/0072452 A1 \* 3/2018 Chambers ..... B65D 5/10

\* cited by examiner

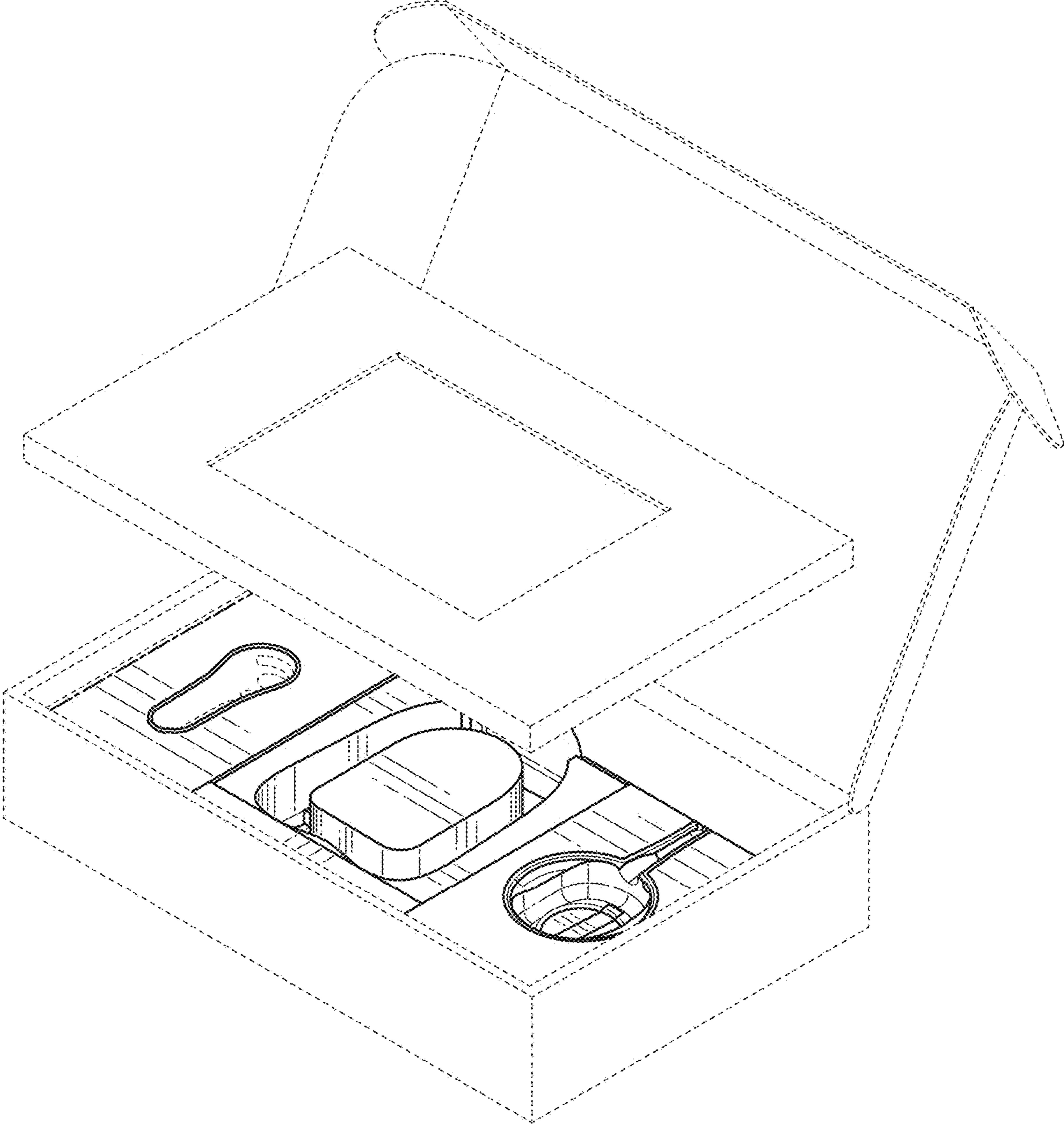


FIG. 1

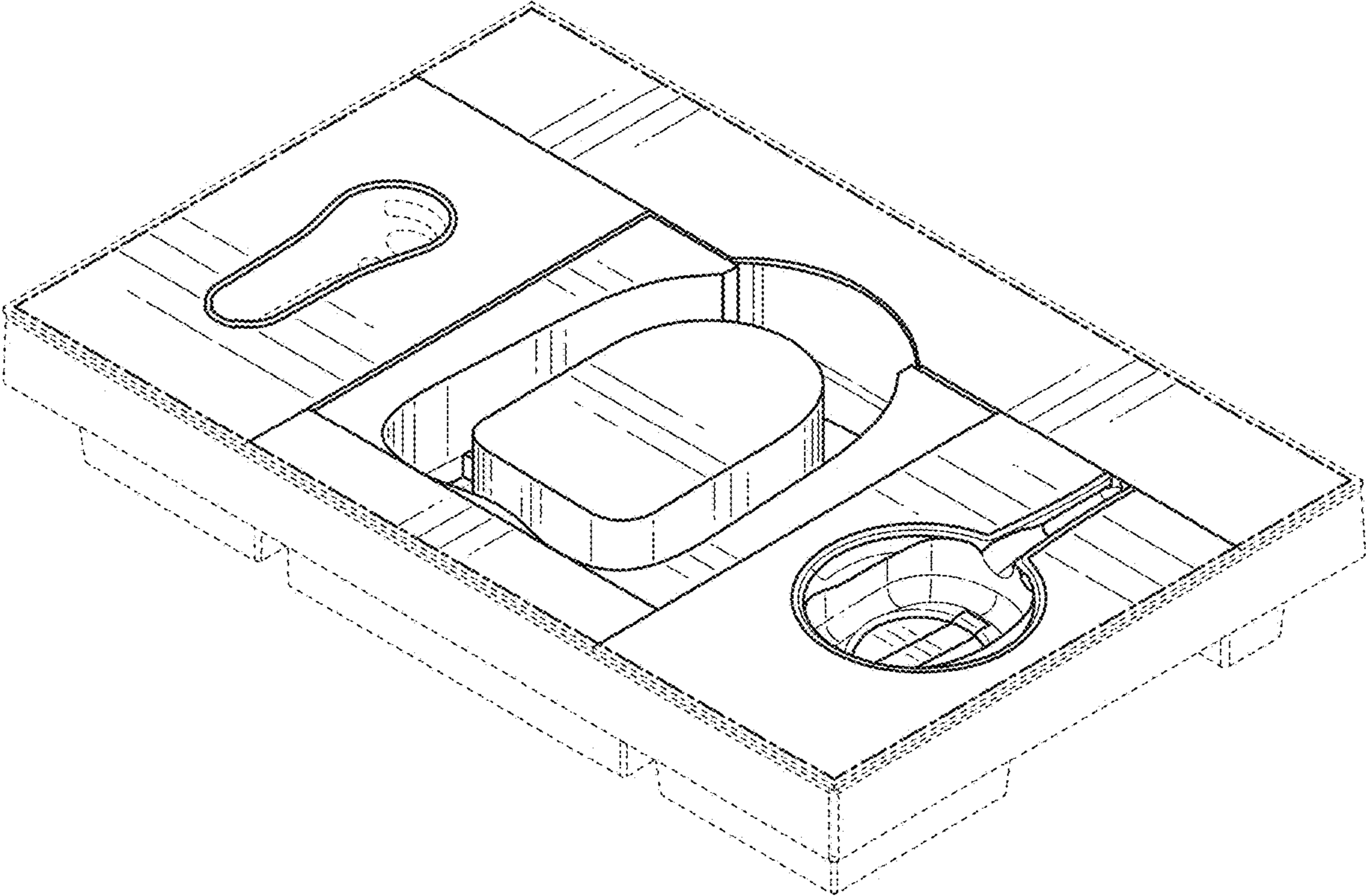


FIG. 2

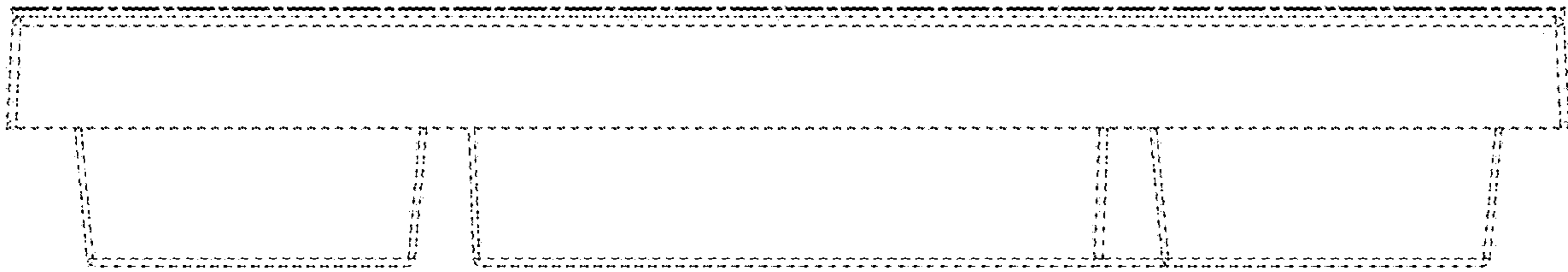


FIG. 3

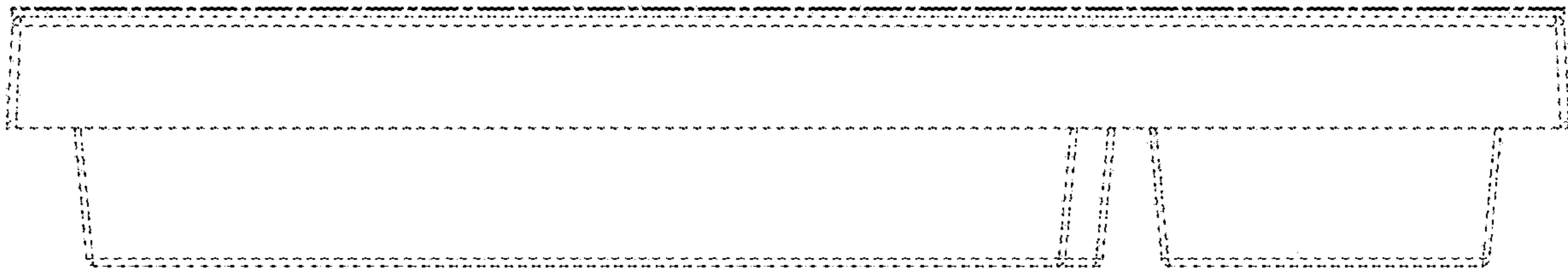


FIG. 4

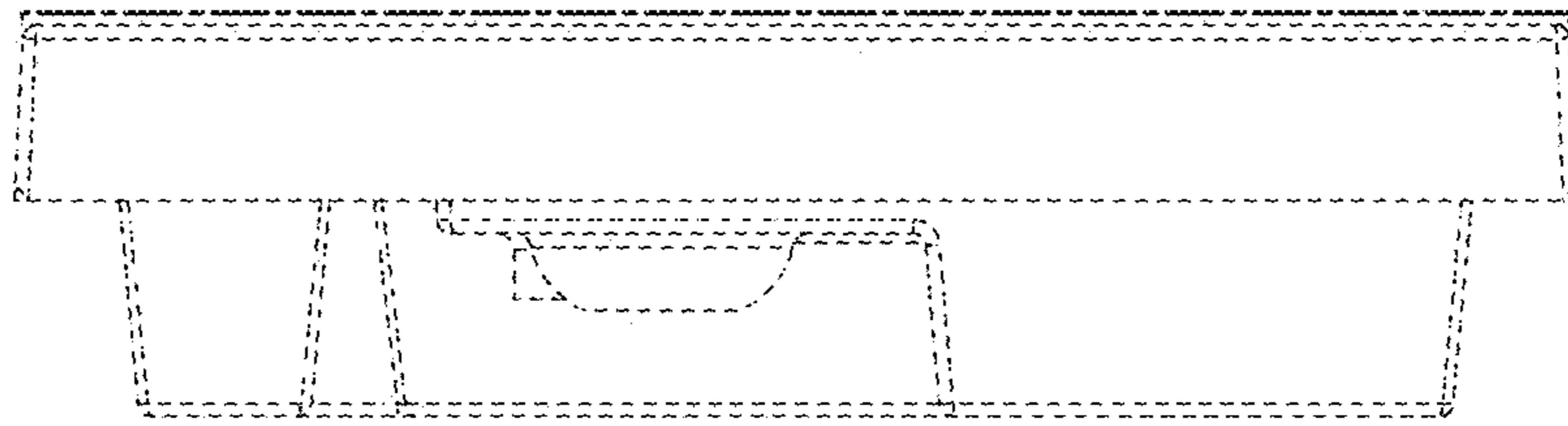


FIG. 5

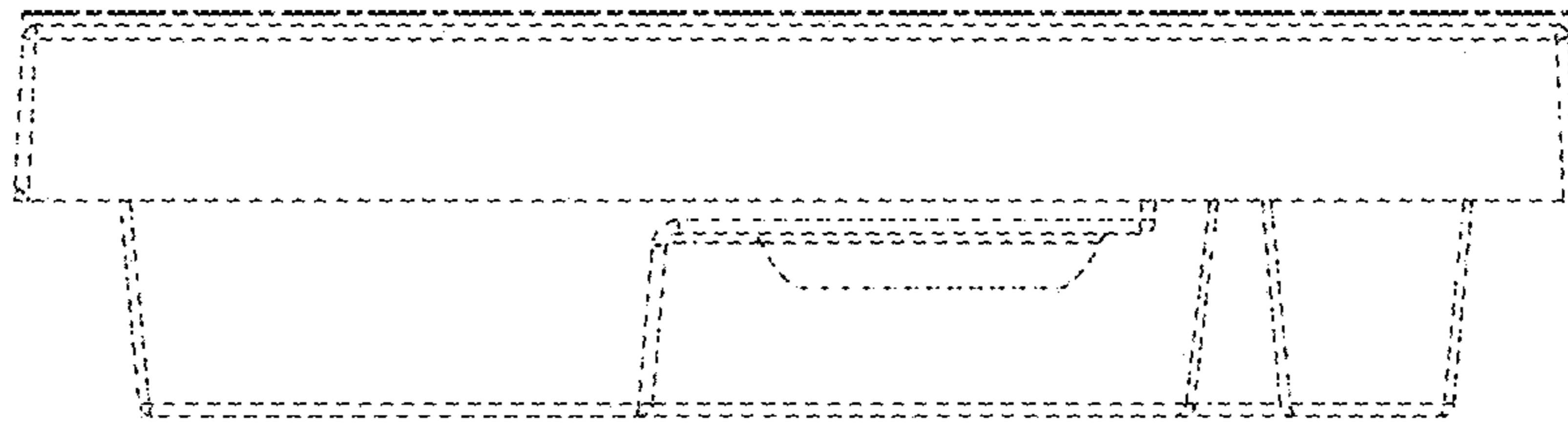


FIG. 6



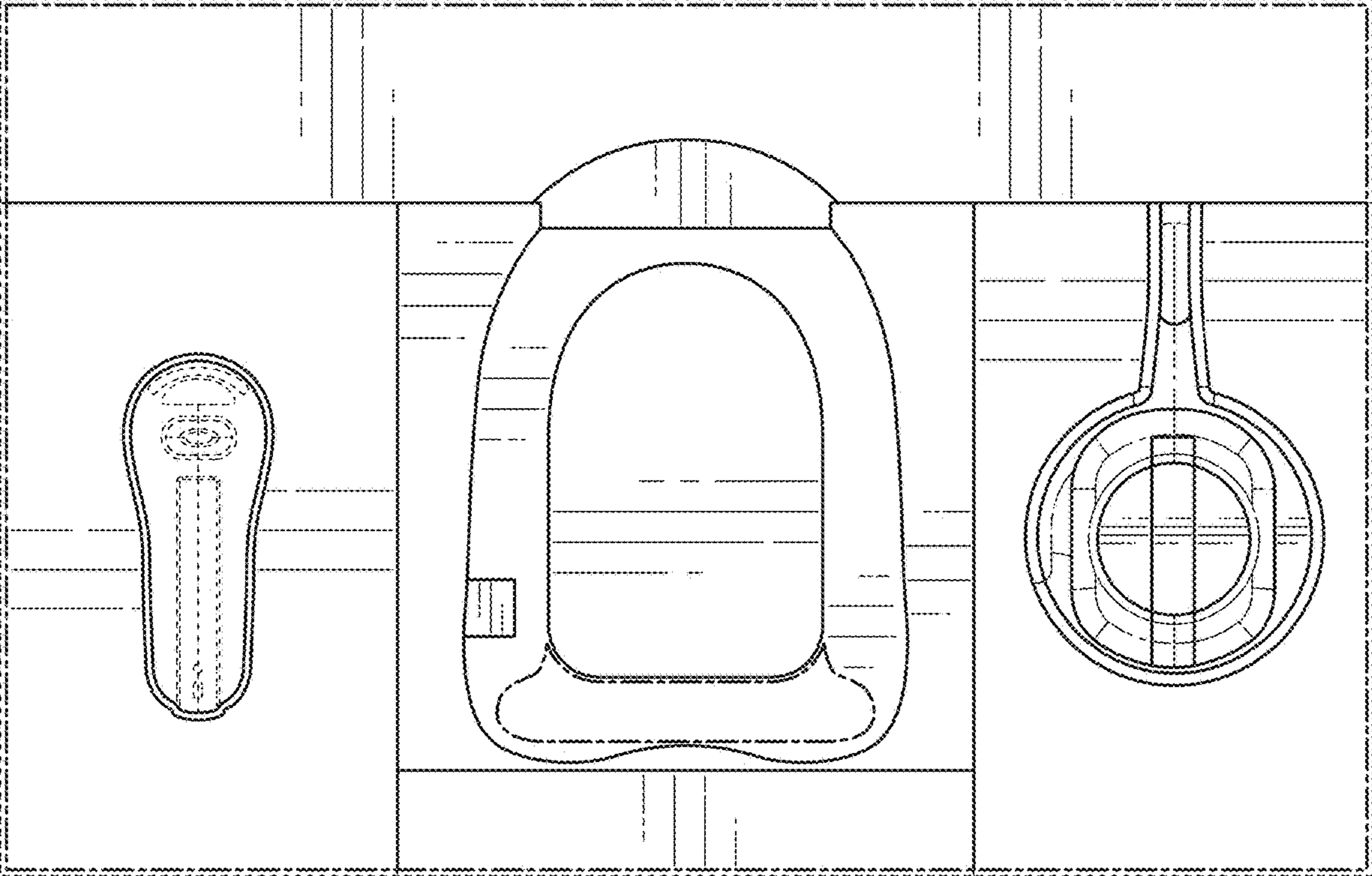


FIG. 7

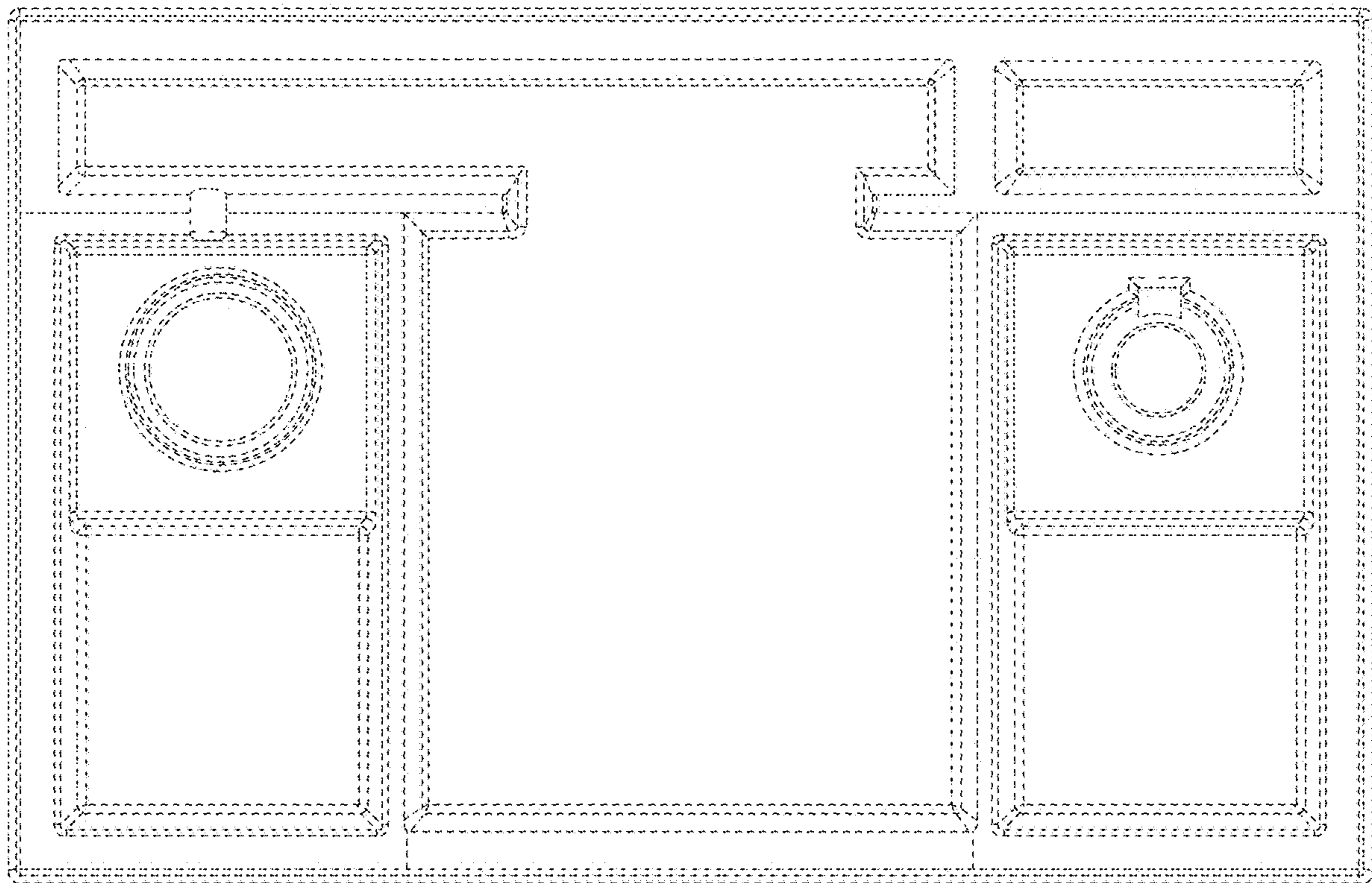


FIG. 8