



US00D908495S

(12) **United States Design Patent**
Neputy

(10) **Patent No.:** **US D908,495 S**

(45) **Date of Patent:** **** Jan. 26, 2021**

(54) **CLOSURE**

(71) Applicant: **Silgan White Cap LLC**, Downers Grove, IL (US)

(72) Inventor: **Darren Neputy**, Palos Hills, IL (US)

(73) Assignee: **Silgan White Cap LLC**, Downers Grove, IL (US)

(**) Term: **15 Years**

(21) Appl. No.: **29/606,692**

(22) Filed: **Jun. 7, 2017**

(51) **LOC (13) Cl.** **09-07**

(52) **U.S. Cl.**
USPC **D9/453**

(58) **Field of Classification Search**
USPC D3/202, 203.1, 203.2, 273, 294, 318;
D7/300, 300.1, 316, 317, 387, 391, 392.1,
(Continued)

(56) **References Cited**

U.S. PATENT DOCUMENTS

829,341 A * 8/1906 Kirkegaard B65D 51/243
215/305
1,096,613 A * 5/1914 Ernst B65D 51/243
215/304

(Continued)

FOREIGN PATENT DOCUMENTS

MX 14936 4/2003
MX 17957 5/2005

(Continued)

Primary Examiner — Catherine S Posthauer

(74) *Attorney, Agent, or Firm* — Reinhart Boerner Van Deuren s.c.

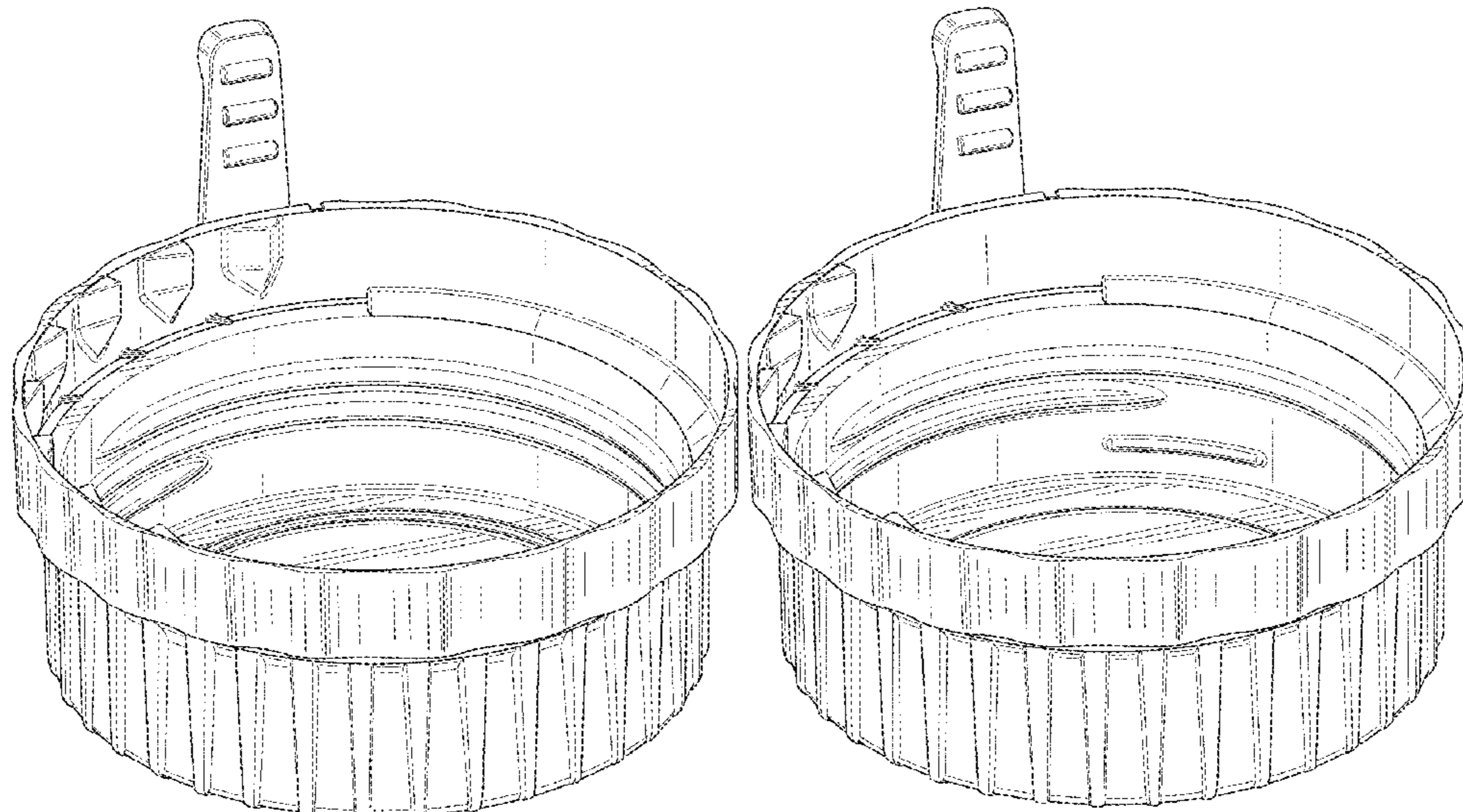
(57) **CLAIM**

I claim the ornamental design for a closure, as shown and described.

DESCRIPTION

FIG. 1 is a front top perspective view of an embodiment of the claimed design;
FIG. 2 is a rear top perspective view of FIG. 1;
FIG. 3 is a rear bottom perspective view of FIG. 1;
FIG. 4 is a front bottom perspective view of FIG. 1;
FIG. 5 is a top view of FIG. 1;
FIG. 6 is a bottom view of FIG. 1;
FIG. 7 is a front view of FIG. 1;
FIG. 8 is a rear view of FIG. 1;
FIG. 9 is a right side view of FIG. 1;
FIG. 10 is a left side view of FIG. 1;
FIG. 11 is a front top perspective view of another embodiment of the claimed design;
FIG. 12 is a rear top perspective view of FIG. 11;
FIG. 13 is a rear bottom perspective view of FIG. 11;
FIG. 14 is a front bottom perspective view of FIG. 11;
FIG. 15 is a top view of FIG. 11;
FIG. 16 is a bottom view of FIG. 11;
FIG. 17 is a front view of FIG. 11;
FIG. 18 is a rear view of FIG. 11;
FIG. 19 is a right side view of FIG. 11;
FIG. 20 is a left side view of FIG. 11;
FIG. 21 is a front top perspective view of another embodiment of the claimed design;
FIG. 22 is a rear top perspective view of FIG. 21;
FIG. 23 is a rear bottom perspective view of FIG. 21;
FIG. 24 is a front bottom perspective view of FIG. 21;
FIG. 25 is a top view of FIG. 21;
FIG. 26 is a bottom view of FIG. 21;
FIG. 27 is a front view of FIG. 21;
FIG. 28 is a rear view of FIG. 21;
FIG. 29 is a right side view of FIG. 21; and,
FIG. 30 is a left side view of FIG. 21.
The ornamental design which is claimed is shown in solid lines in the drawings.

1 Claim, 15 Drawing Sheets



(58) Field of Classification Search

USPC D7/393, 396.2, 509, 510, 511, 523,
 D7/525-531, 538, 541, 549, 629, 703,
 D7/900; D8/349, 350, 352; D9/434-443,
 D9/446, 447, 448, 449, 450, 452, 453,
 D9/454, 502, 503, 504, 516, 517, 529;
 D24/121, 127, 199, 224; D28/7, 76, 78,
 D28/82, 85, 91; D26/36, 123, 124;
 D35/1, 7, 10, 11, 39; 206/216, 219, 541,
 206/22, 221, 220; 215/306, 305, 228,
 215/200; 220/212.5, 200; 222/81, 83,
 222/556, 533, 530, 519, 205, 192, 158,
 222/153.01
 CPC B65D 50/041; B65D 23/00; B65D 1/00;
 B65D 1/02; B65D 1/0223; B65D
 2501/00; B65D 2501/0009; B65D 83/06
 See application file for complete search history.

D507,745 S * 7/2005 Pitman D9/452
 7,007,816 B2 * 3/2006 Verderber B65D 41/185
 215/254
 D542,656 S * 5/2007 Szczesniak D9/452
 D633,386 S * 3/2011 Taber D9/453
 D634,199 S * 3/2011 Taber D9/453
 D634,200 S * 3/2011 Taber D9/453
 D723,919 S * 3/2015 Taber D9/438
 9,801,969 B2 * 10/2017 Griffis B65D 51/245
 2002/0195414 A1 * 12/2002 Kim B65D 41/48
 215/254
 2002/0195415 A1 * 12/2002 Kim B65D 41/48
 215/254
 2004/0173563 A1 * 9/2004 Kim B65D 41/48
 215/254
 2005/0269282 A1 * 12/2005 Luch B29C 66/65
 215/256
 2007/0221672 A1 * 9/2007 Kim B65D 41/0428
 220/270
 2011/0290755 A1 * 12/2011 Taber B65D 41/00
 215/329
 2014/0263335 A1 * 9/2014 Taber B65D 41/0421
 220/276

(56) References Cited

U.S. PATENT DOCUMENTS

2,433,629 A * 12/1947 Shannon B65D 51/243
 215/305
 5,190,178 A * 3/1993 Luch B65D 1/023
 215/256
 5,213,224 A * 5/1993 Luch B65D 1/023
 215/256
 D358,769 S * 5/1995 Luch D9/438
 D359,685 S * 6/1995 Luch D9/438
 5,593,055 A * 1/1997 Repp B65D 1/023
 215/256
 5,630,520 A * 5/1997 Luch B65D 1/023
 215/256
 6,082,567 A * 7/2000 Bietzer B65D 41/485
 215/256
 6,499,616 B2 * 12/2002 Verderber B65D 41/48
 215/254

FOREIGN PATENT DOCUMENTS

MX 18731 9/2005
 MX 19911 1/2006
 MX PA/06010056 9/2006
 MX PA/f/2006001691 9/2006
 MX 23458 8/2007
 MX 24032 10/2007
 MX 24033 10/2007
 MX 28668 7/2009
 MX 31410 7/2010
 MX 31893 9/2010
 MX 31894 9/2010
 MX 31895 9/2010
 MX 39598 8/2013
 MX 41683 6/2014

* cited by examiner

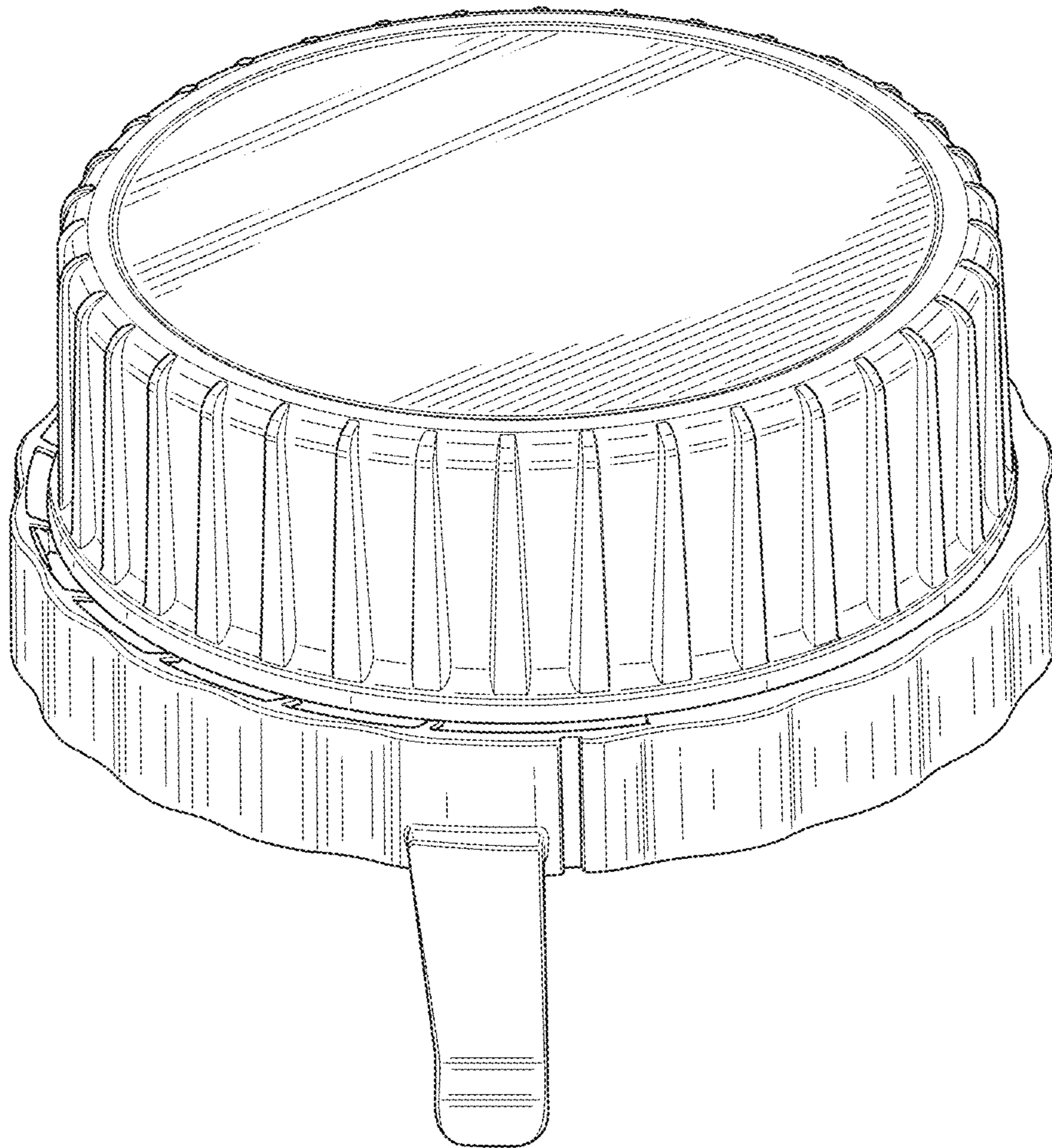


FIG. 1

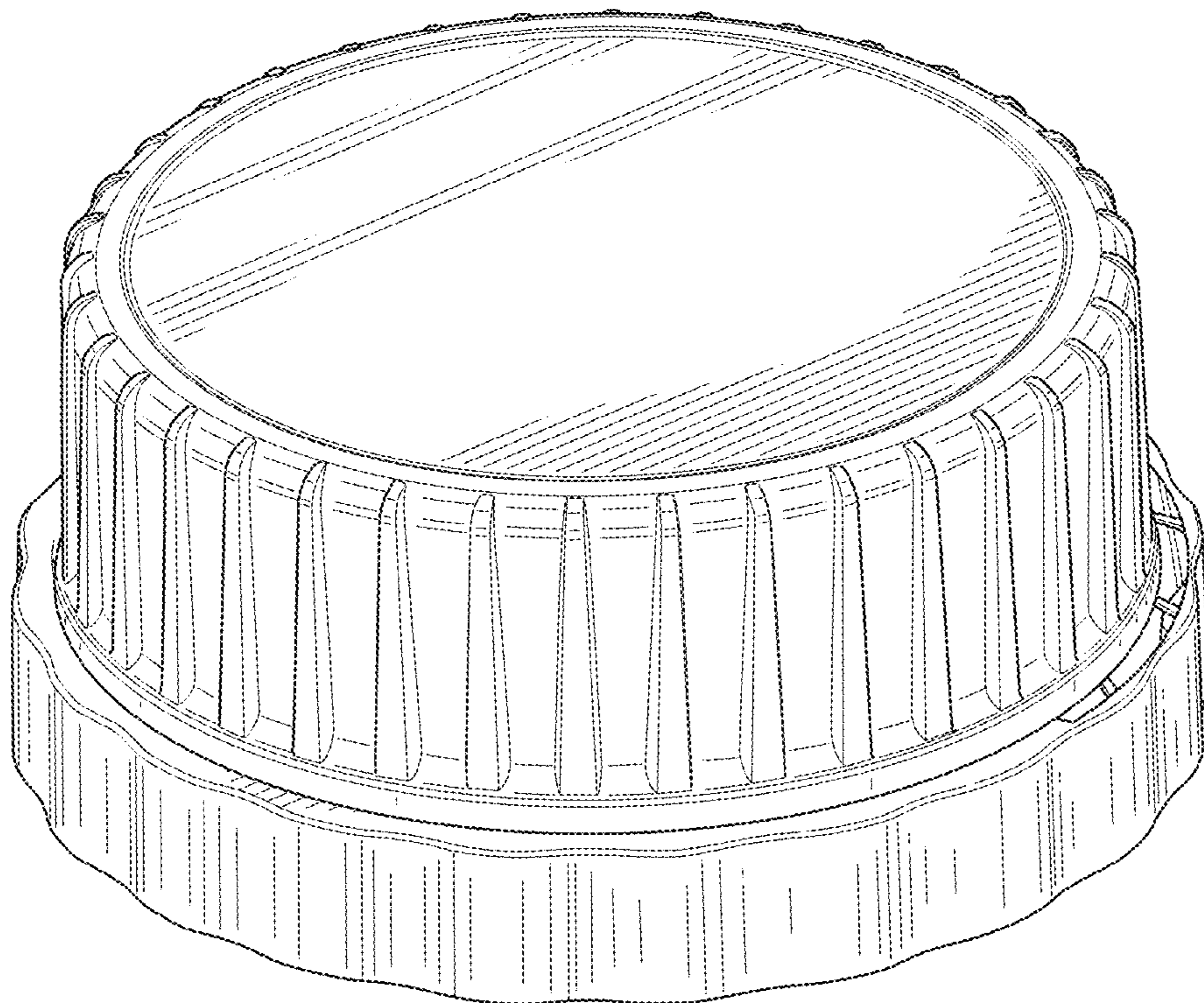


FIG. 2

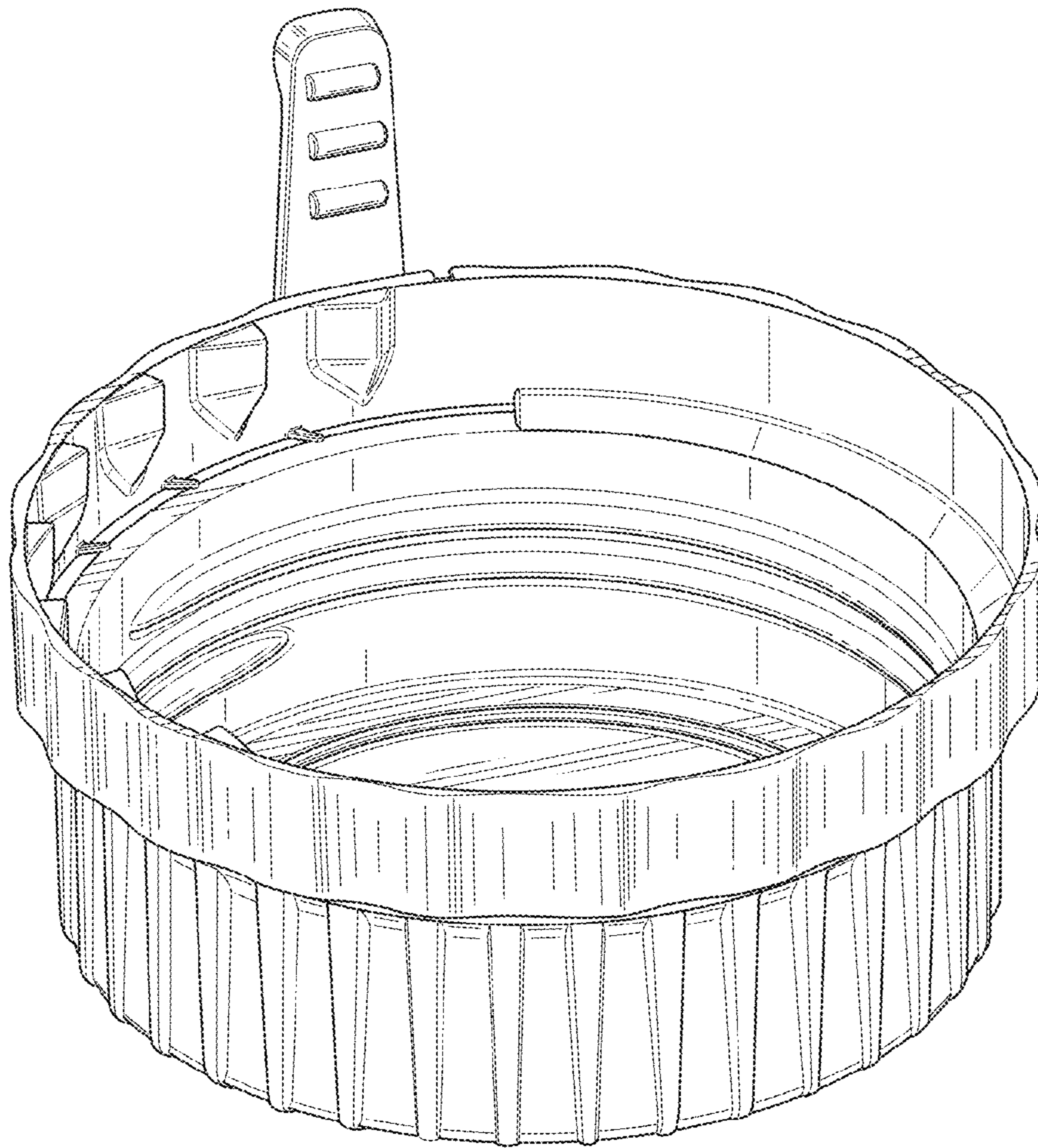


FIG. 3

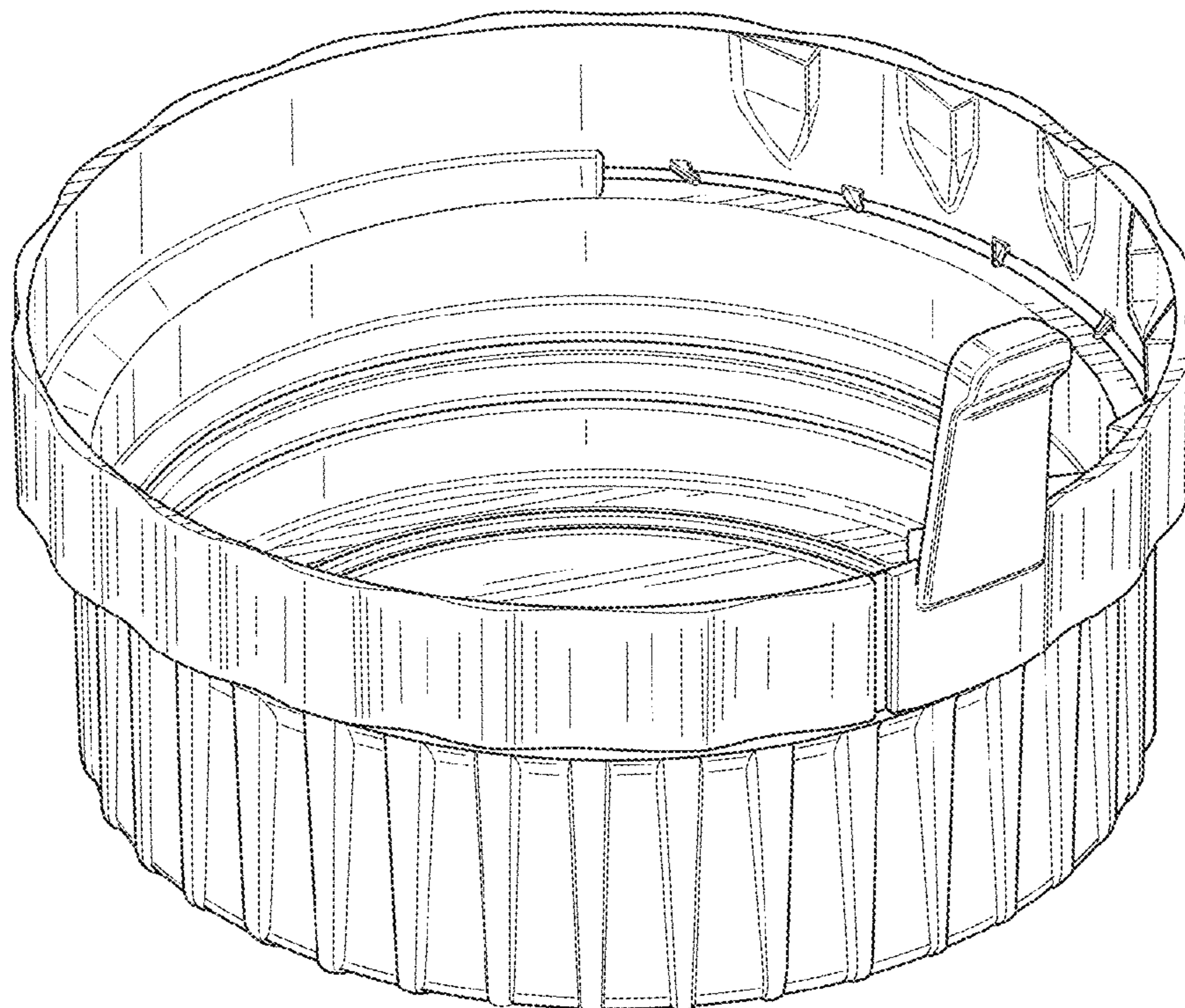


FIG. 4

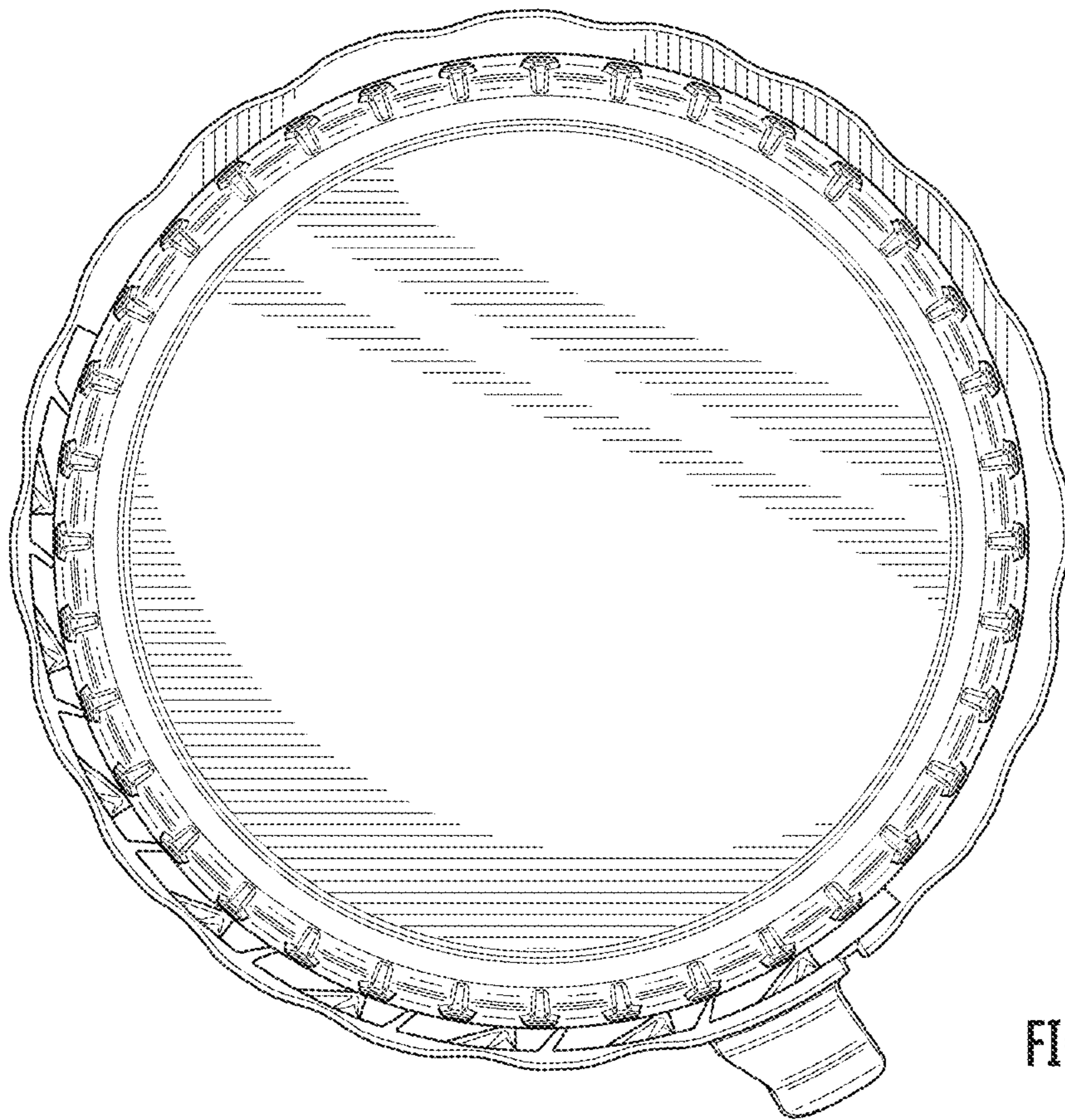


FIG. 5

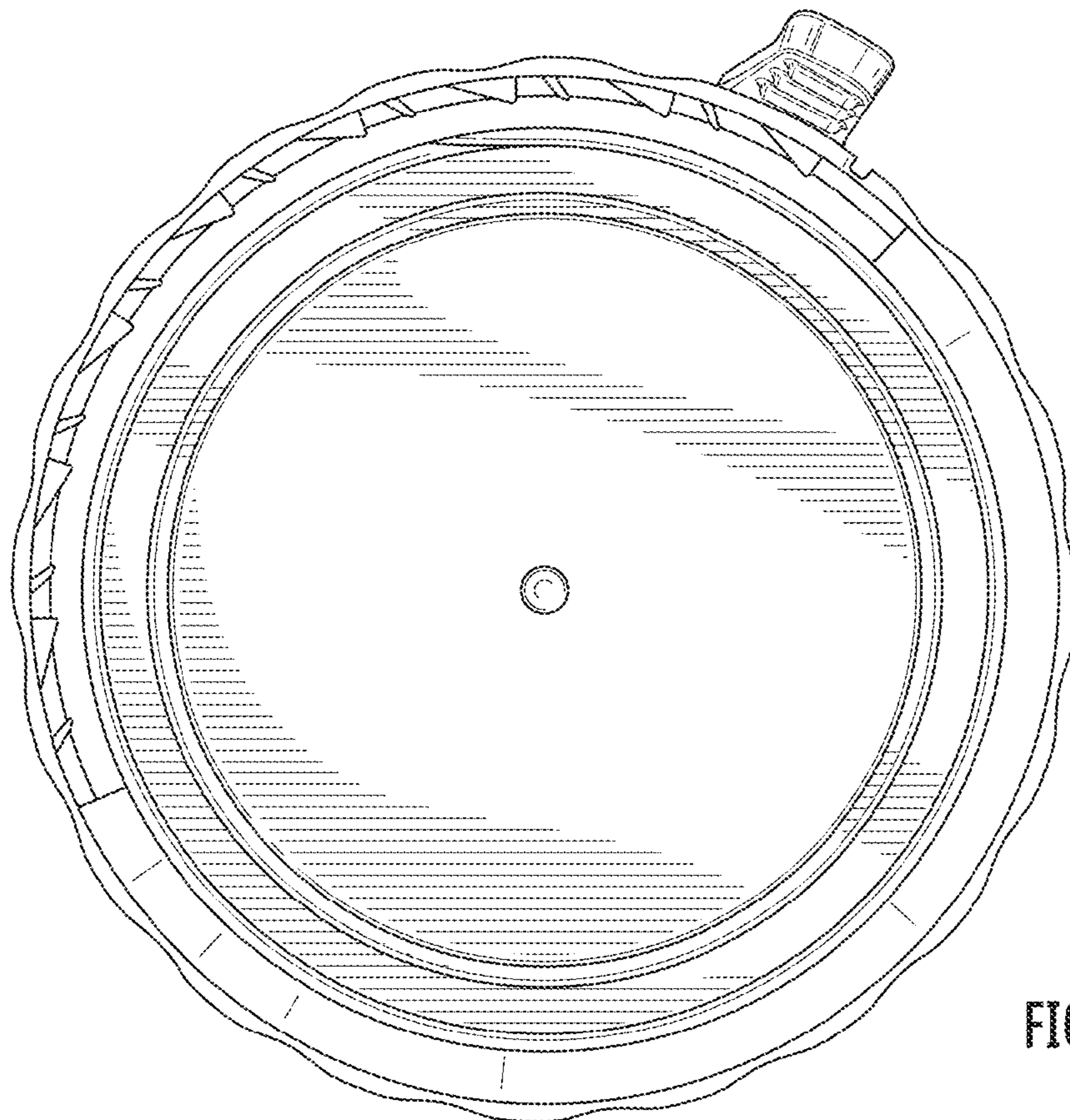


FIG. 6

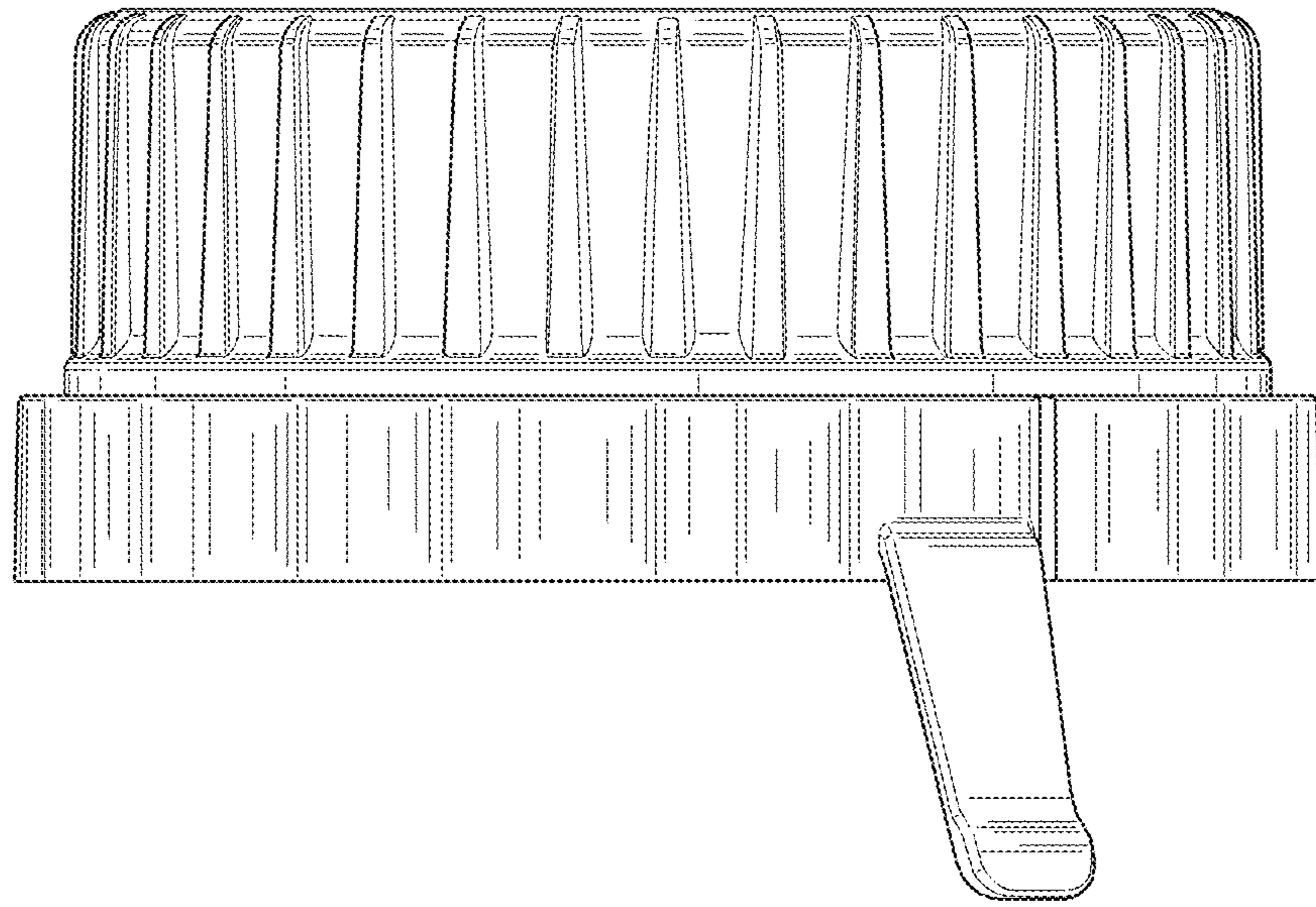


FIG. 7

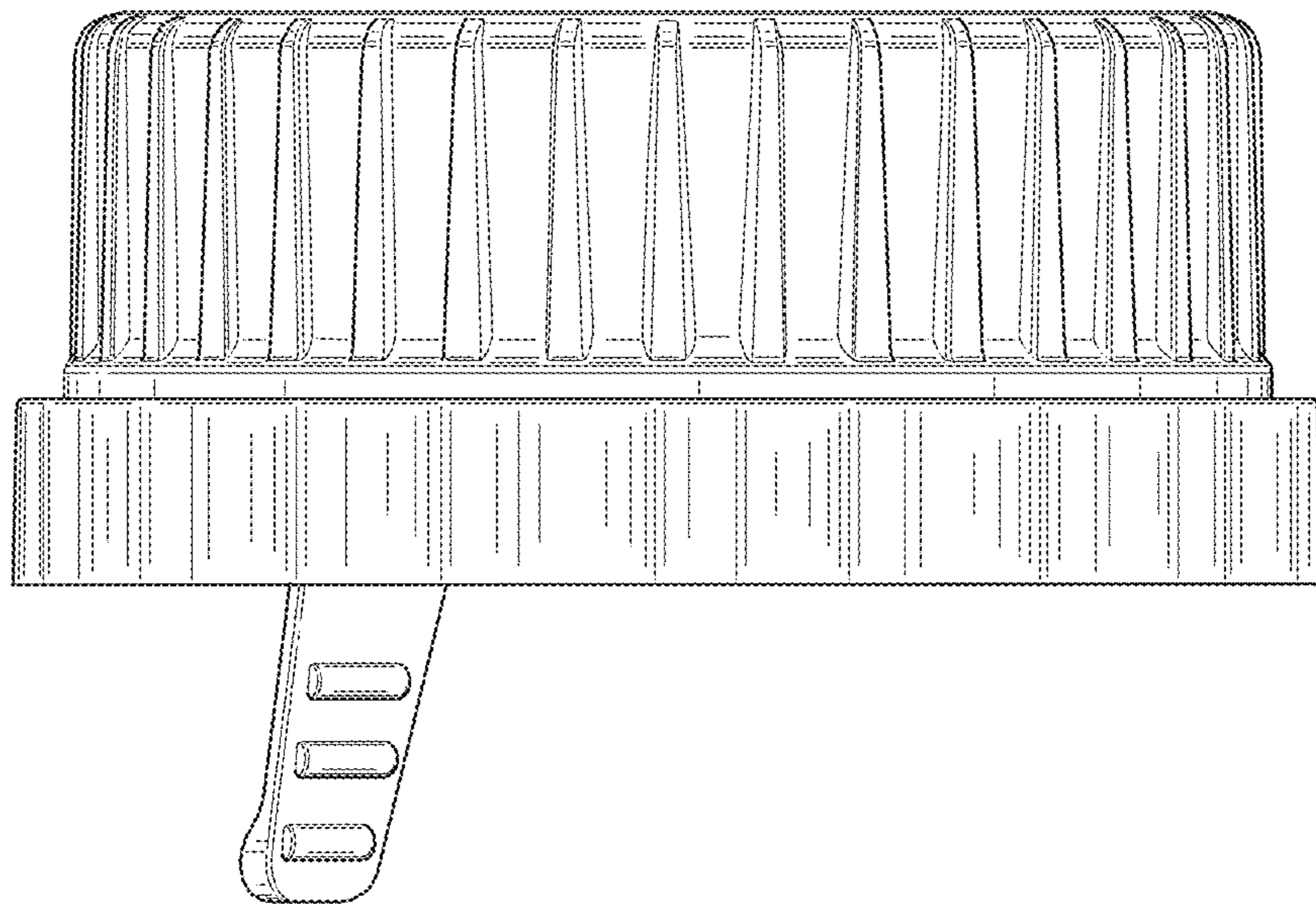


FIG. 8

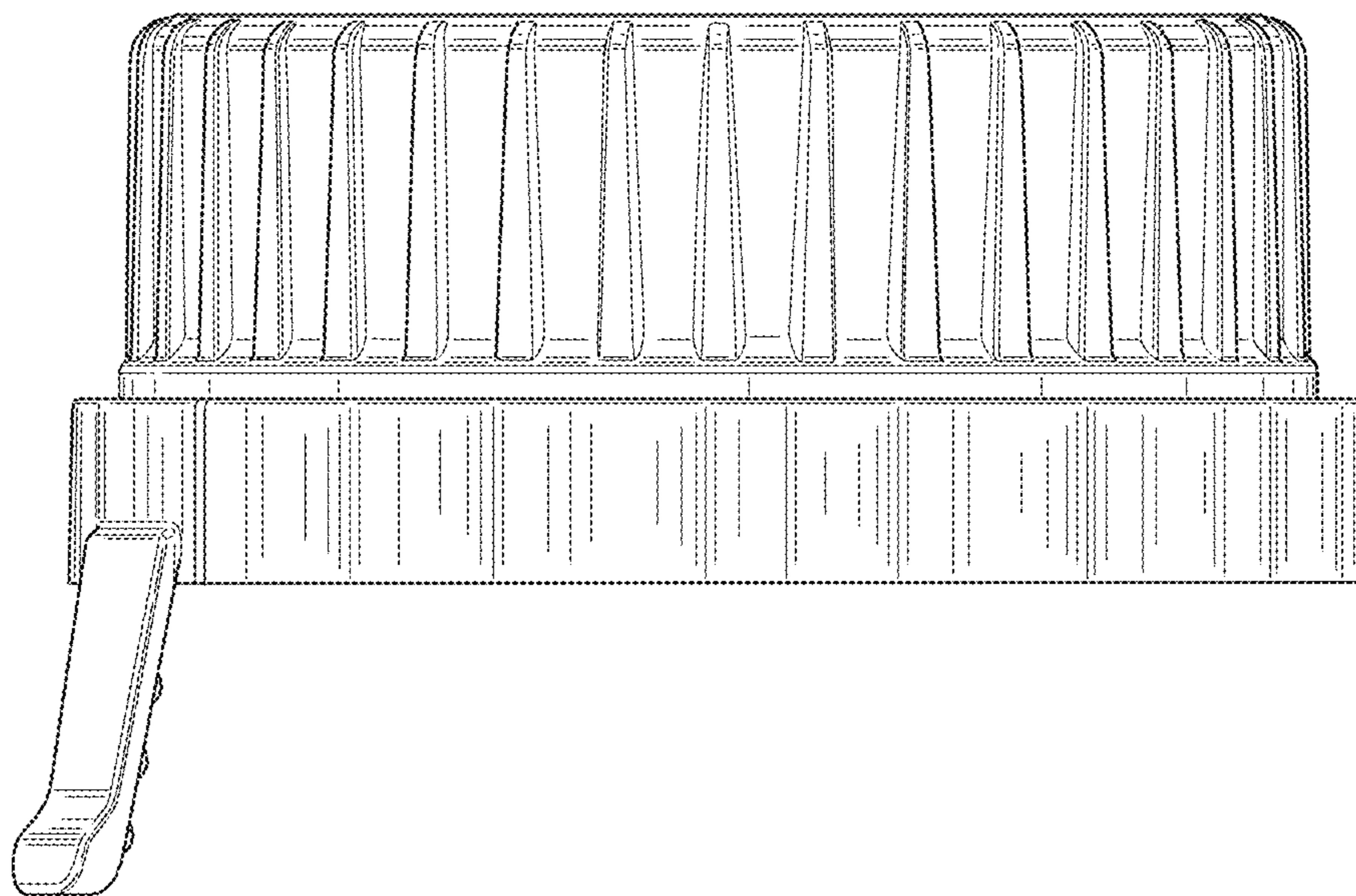


FIG. 9

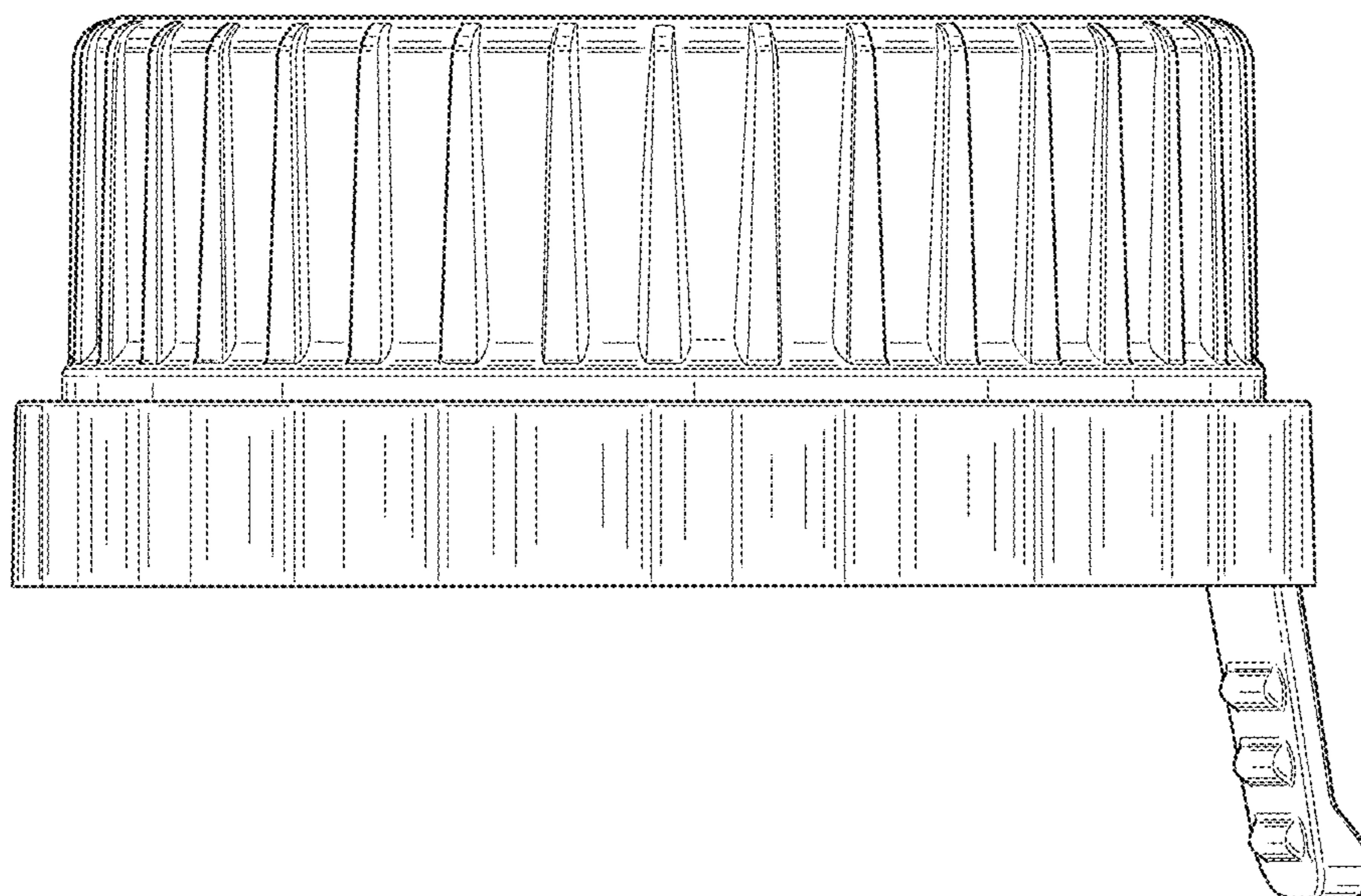


FIG. 10

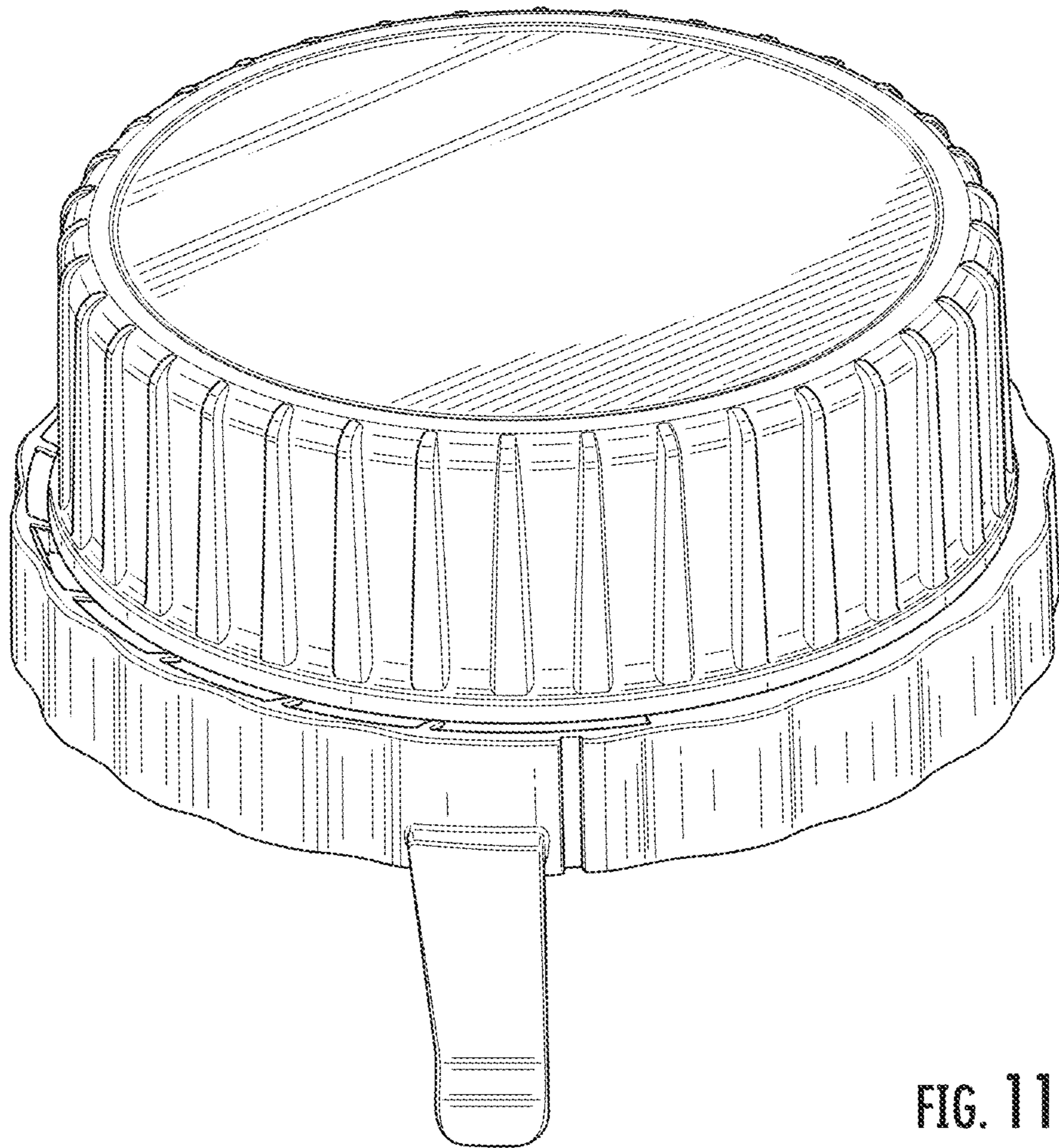


FIG. 11

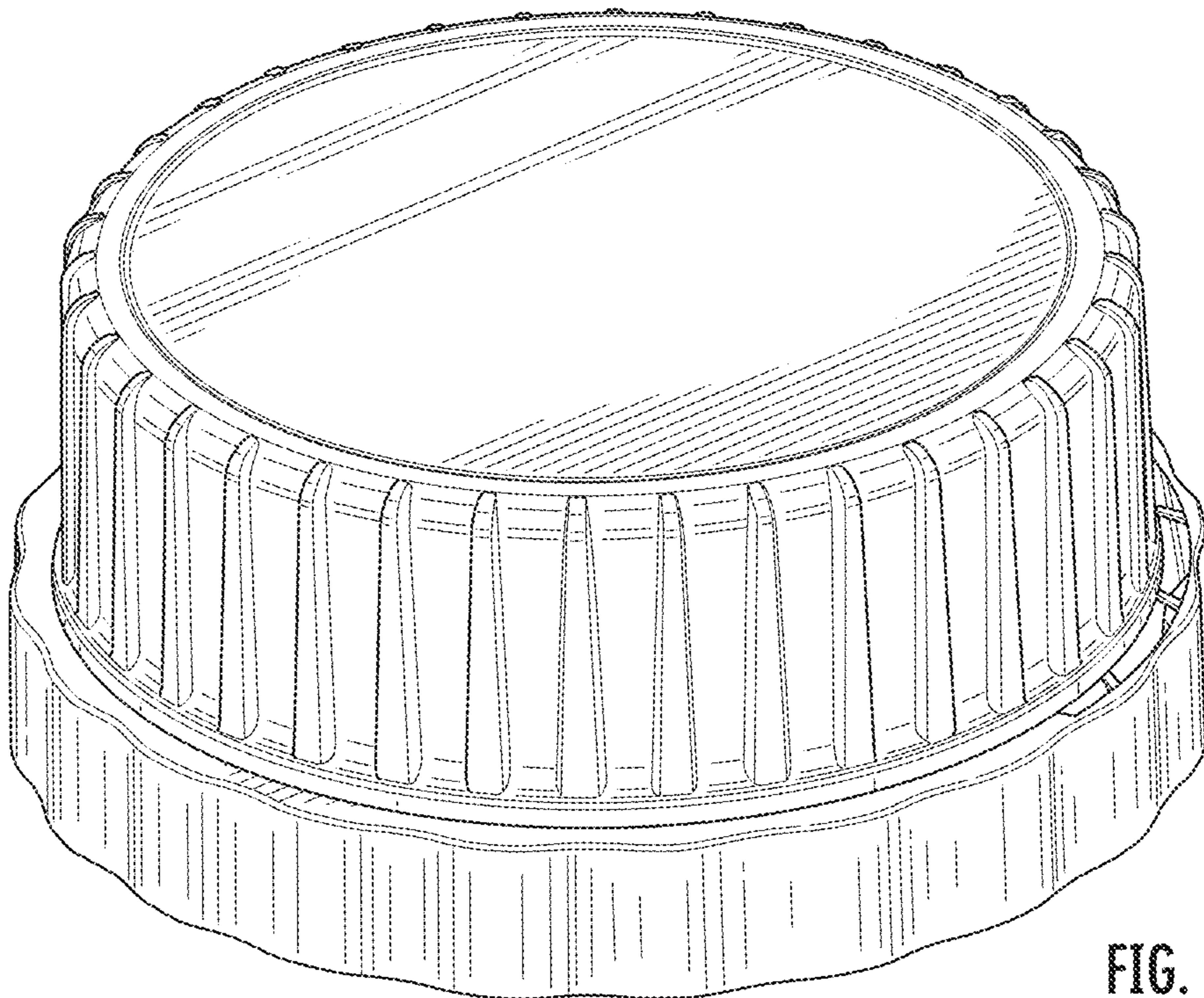


FIG. 12

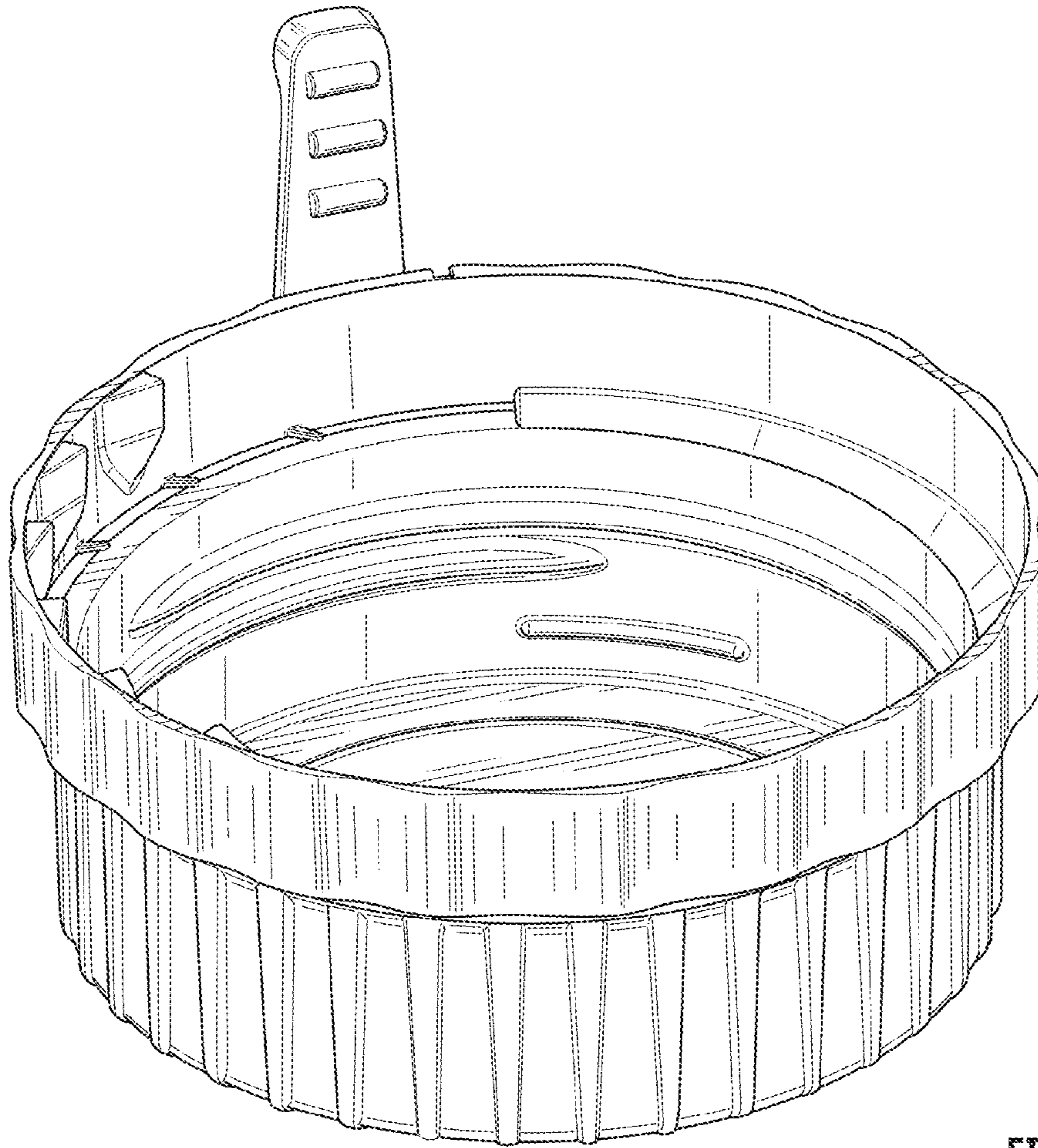


FIG. 13

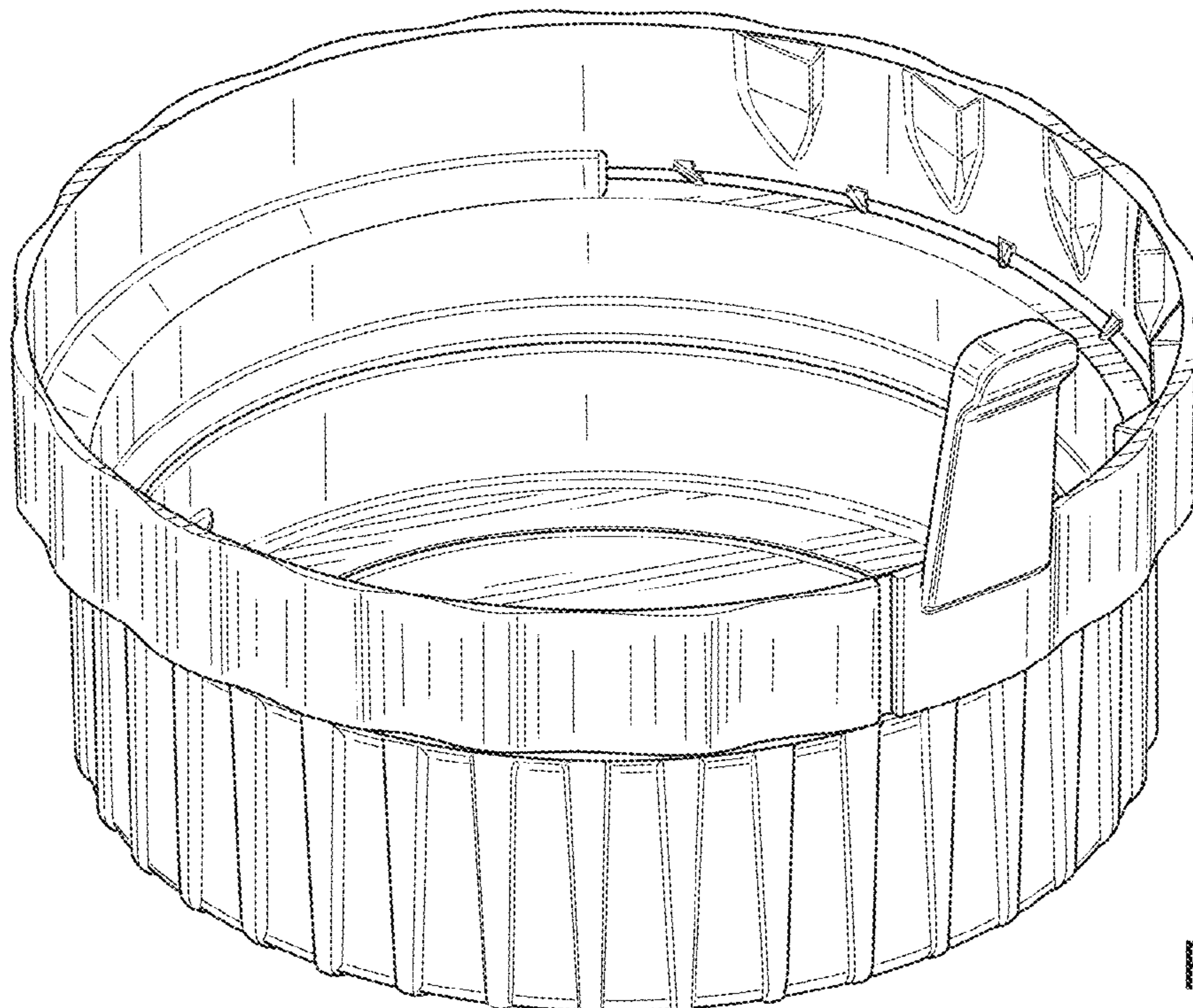


FIG. 14

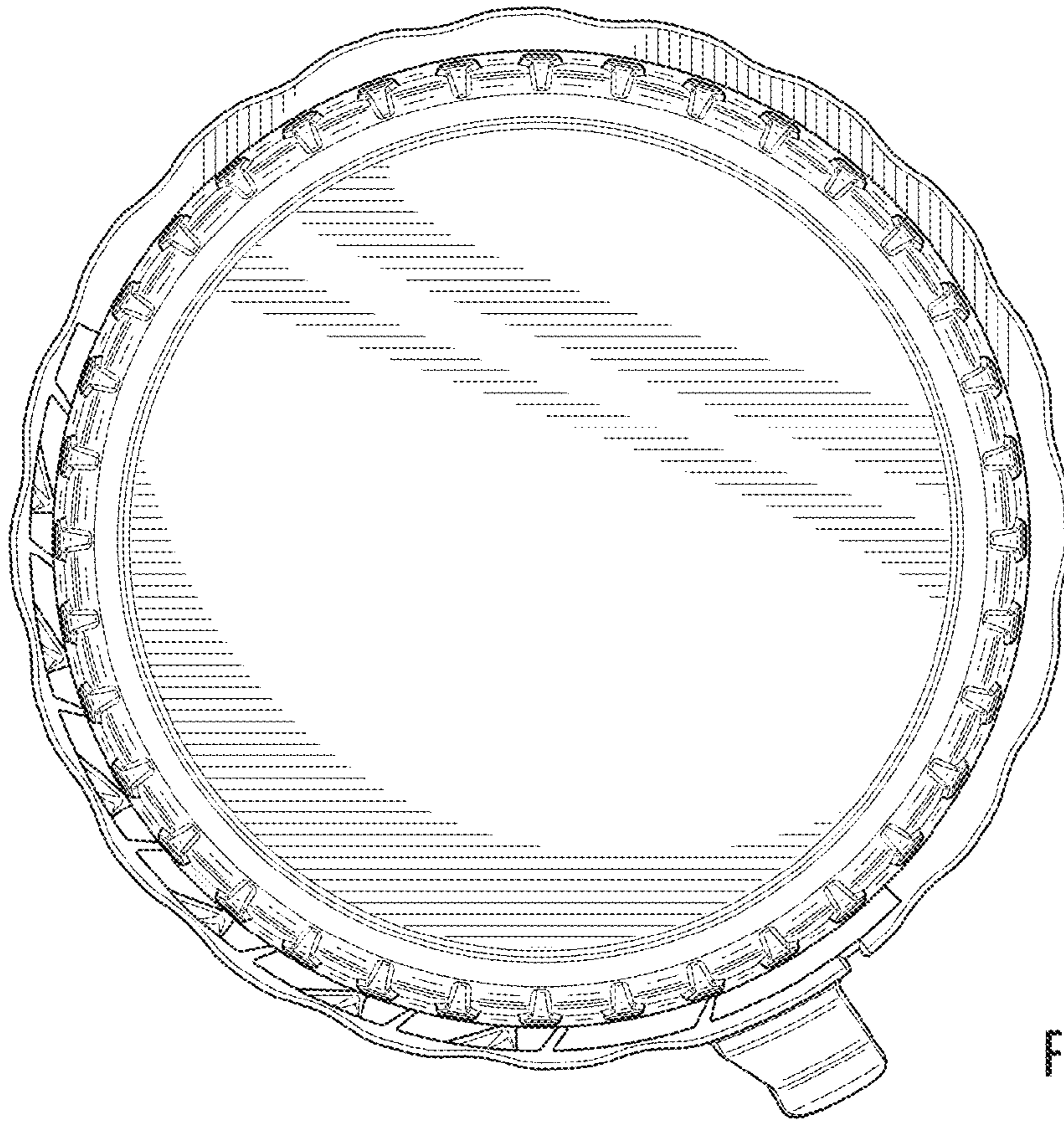


FIG. 15

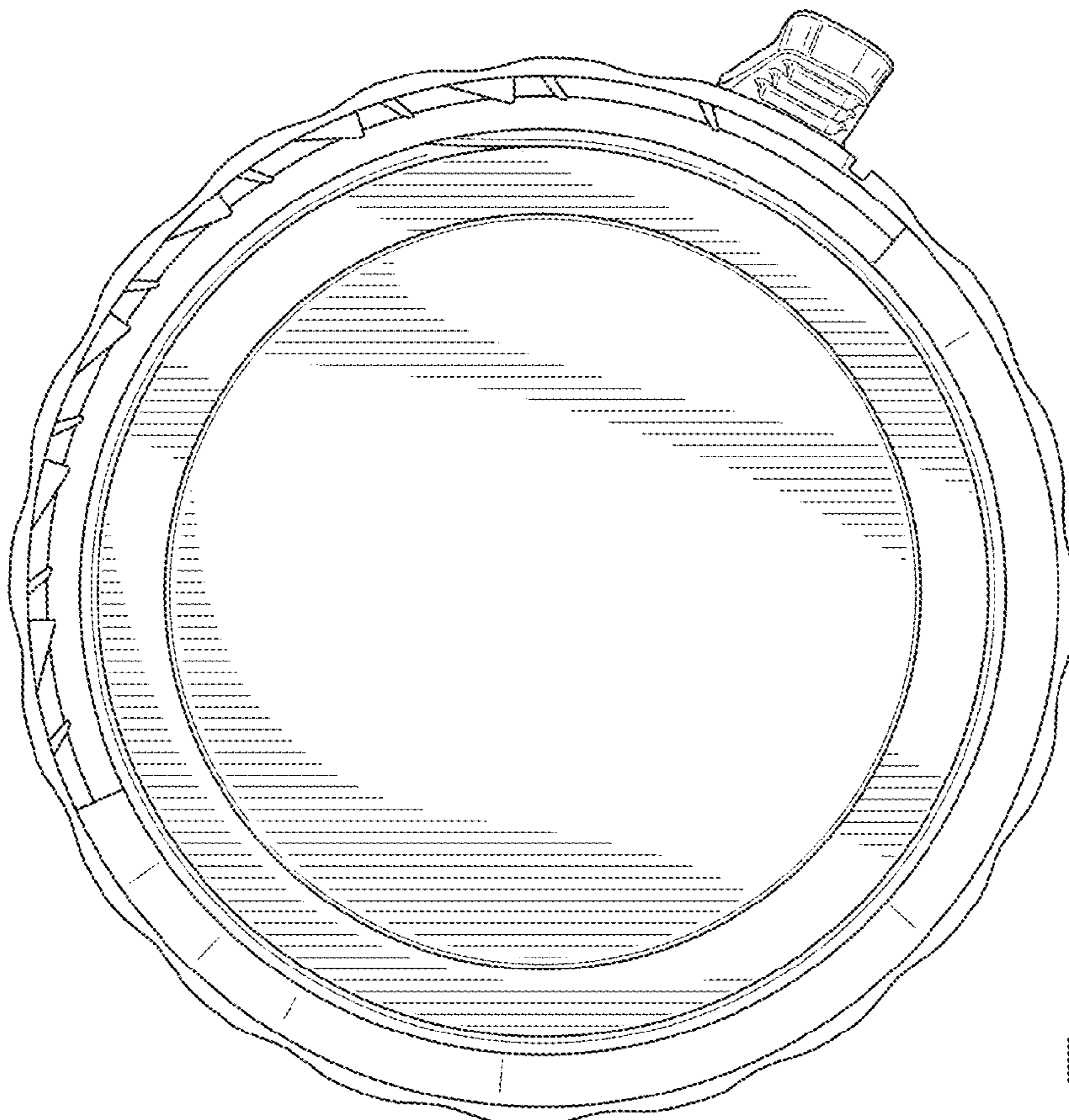


FIG. 16

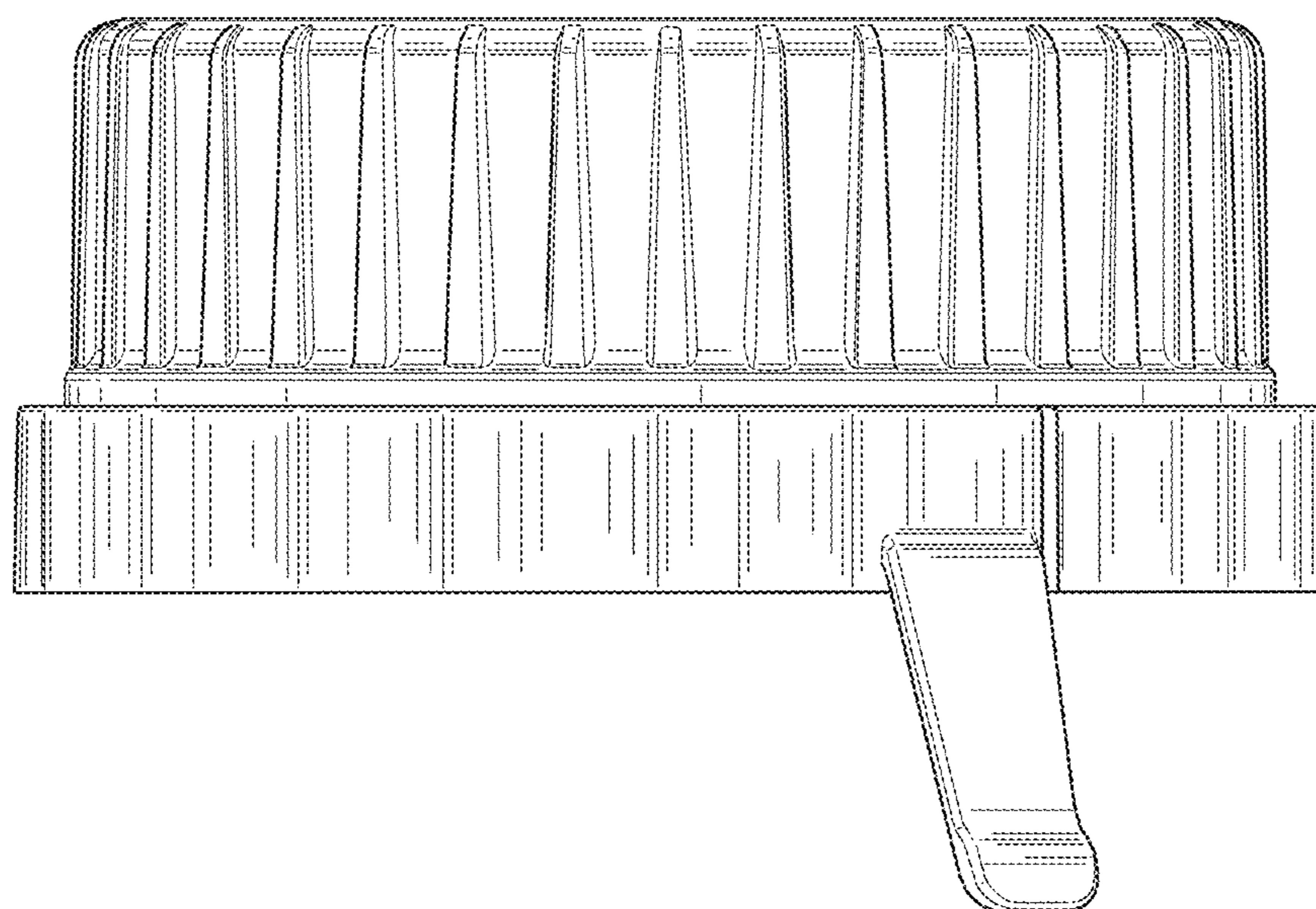


FIG. 17

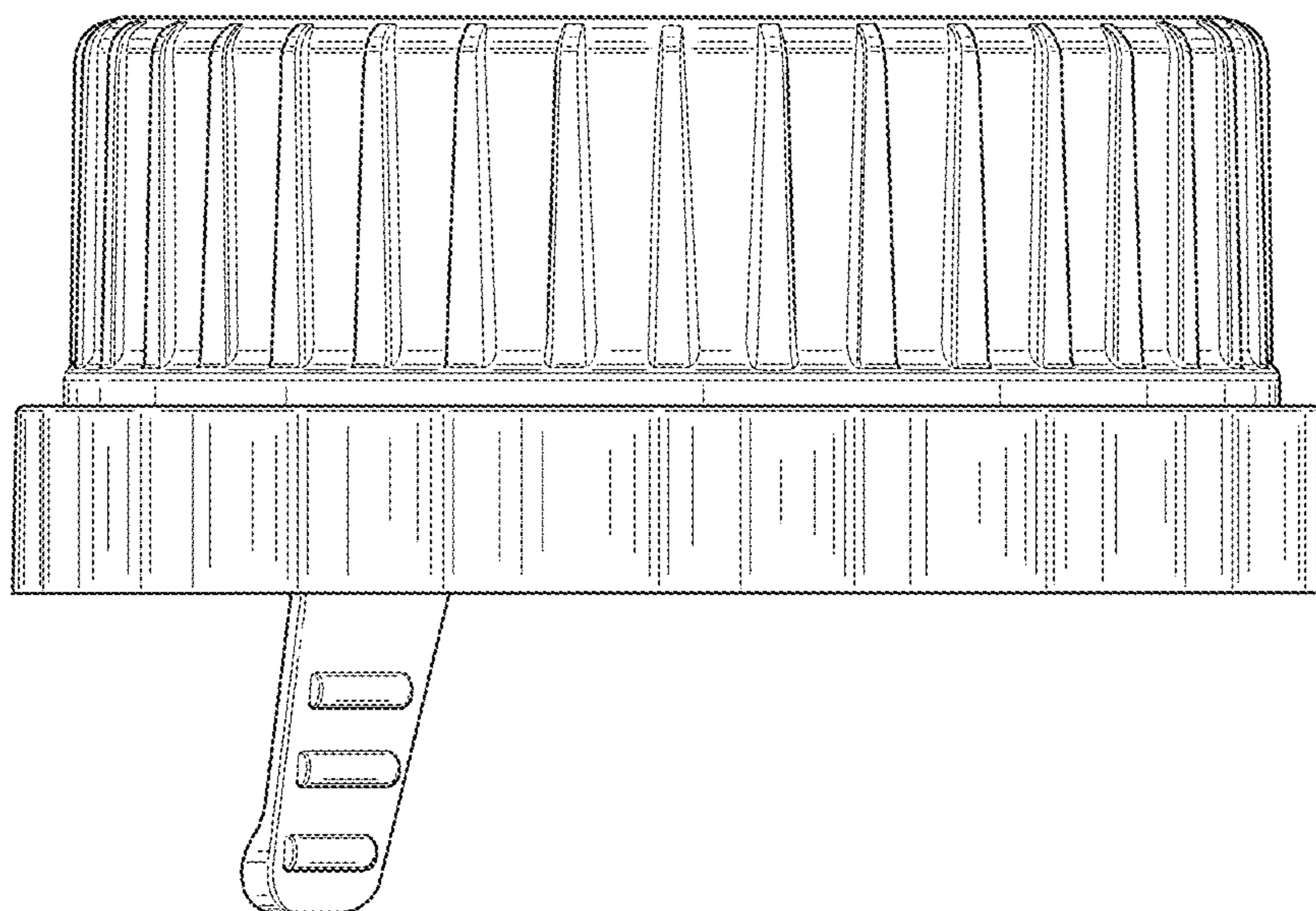


FIG. 18

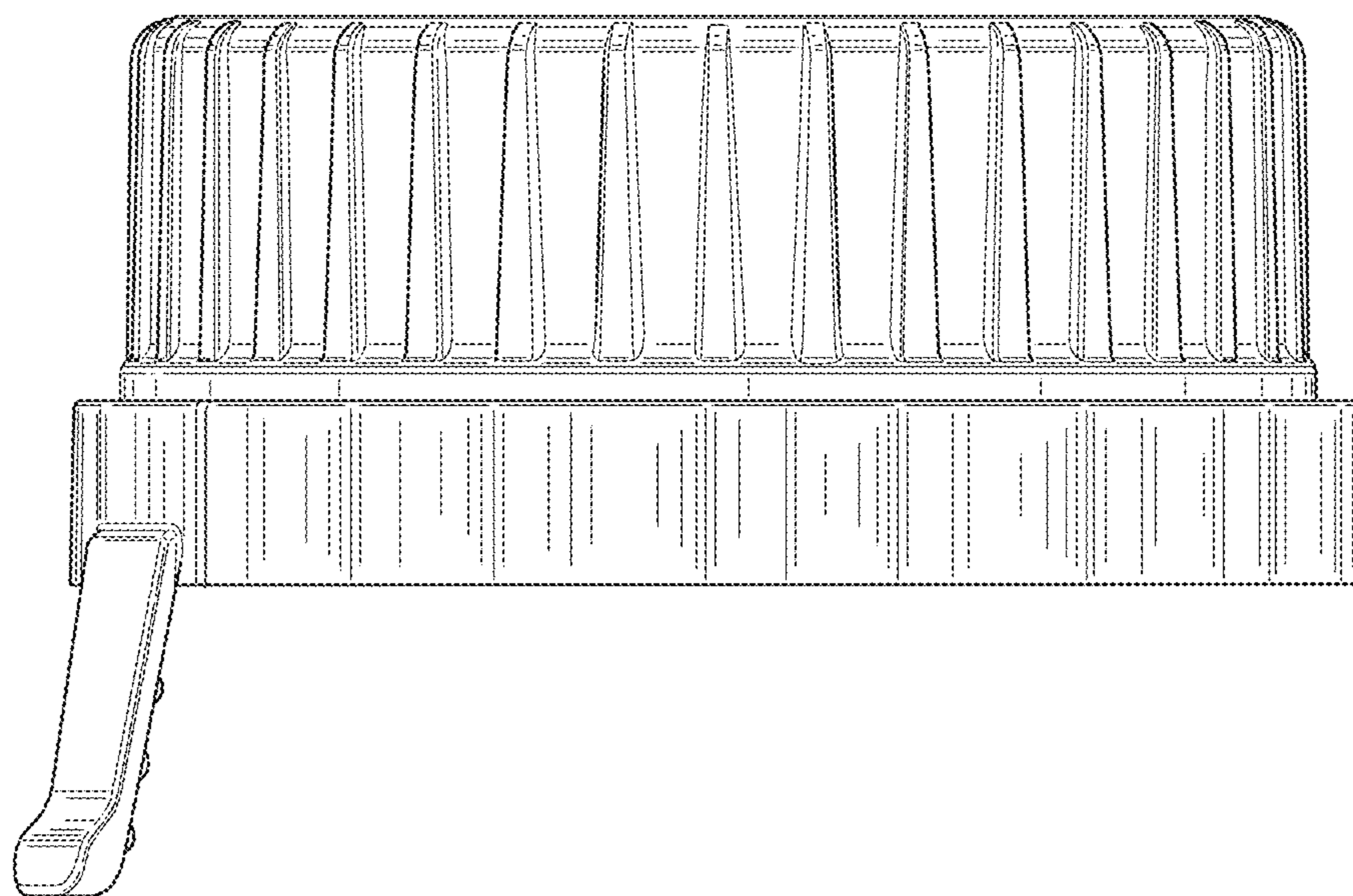


FIG. 19

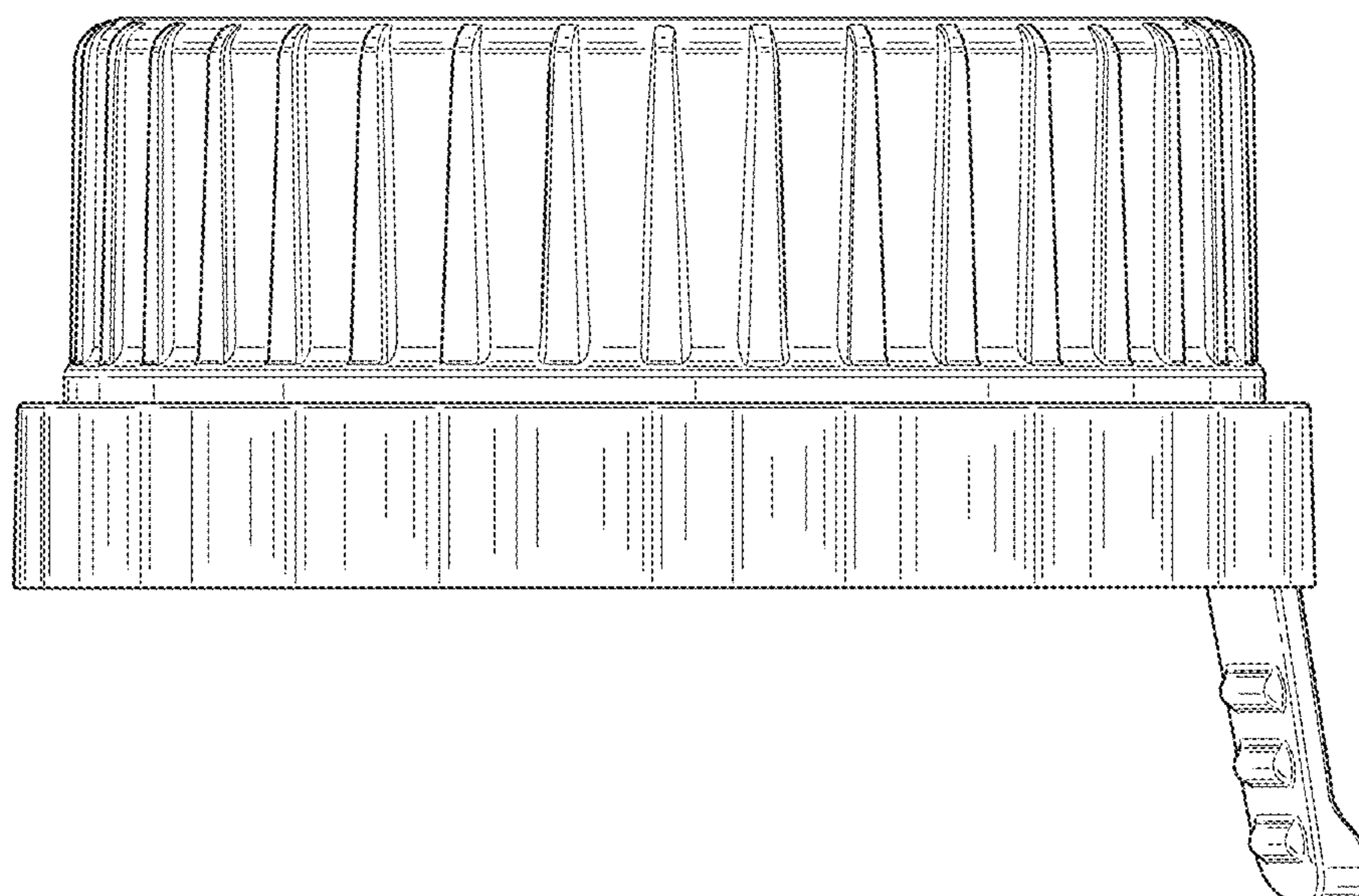


FIG. 20

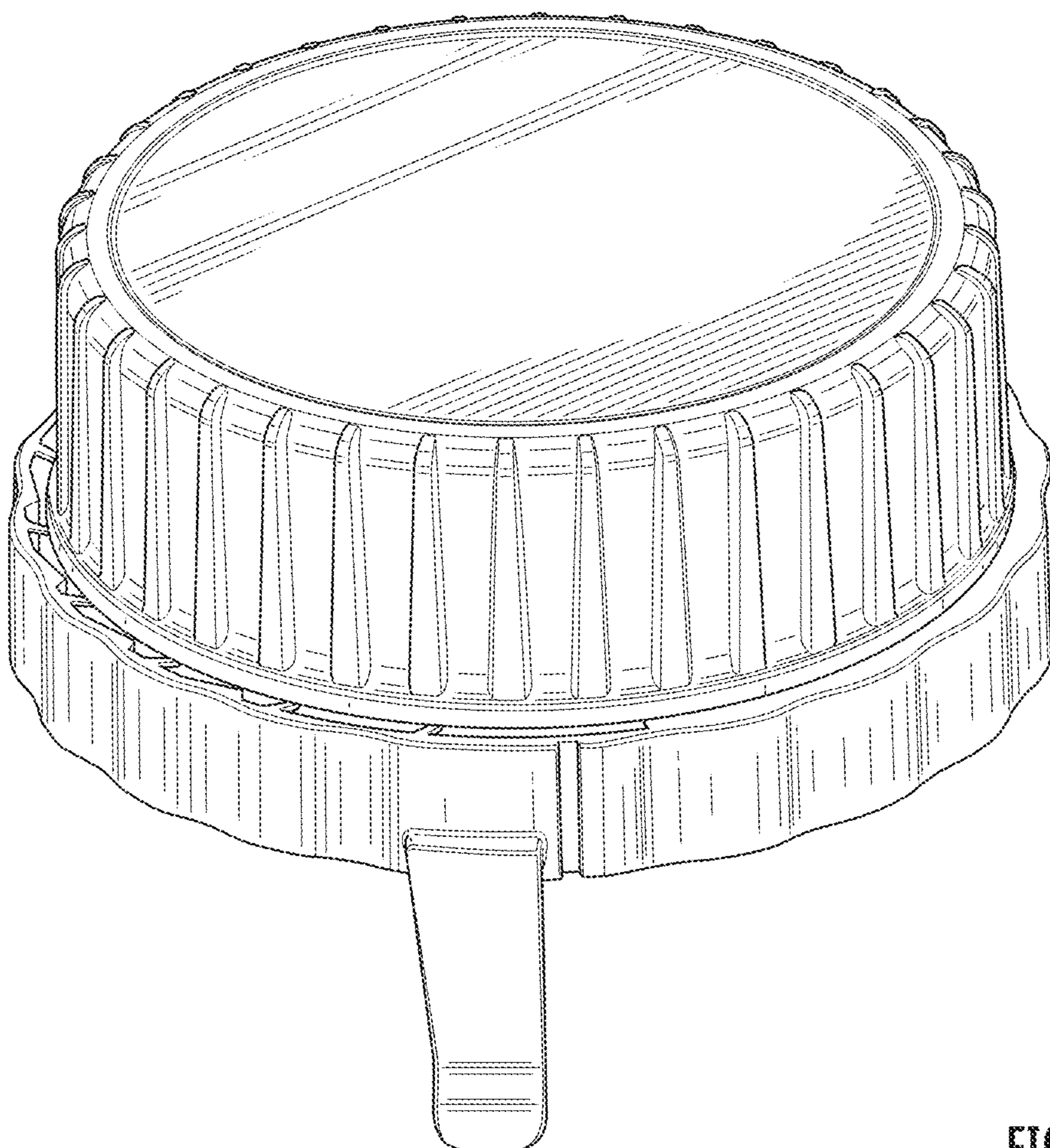


FIG. 21

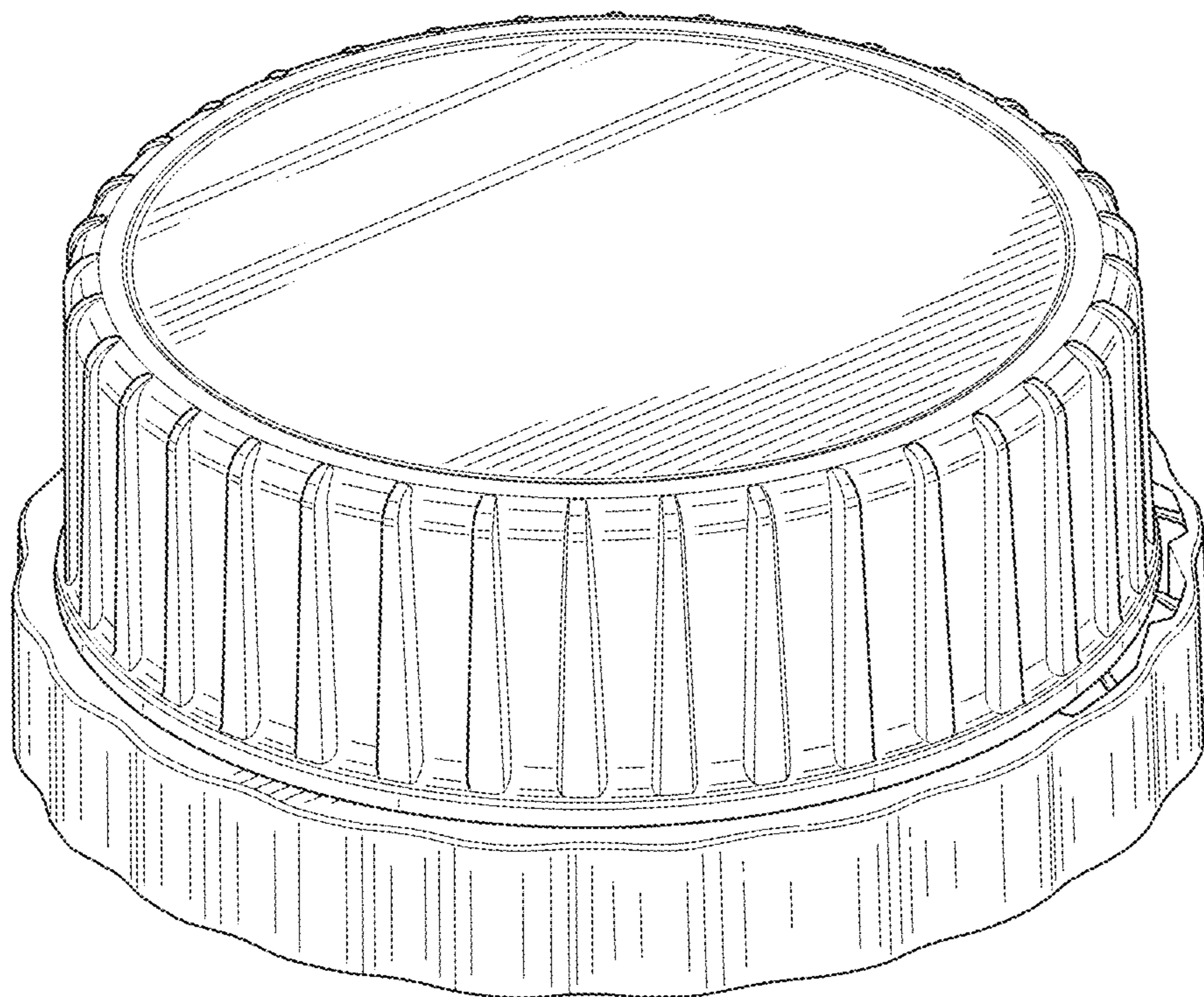


FIG. 22

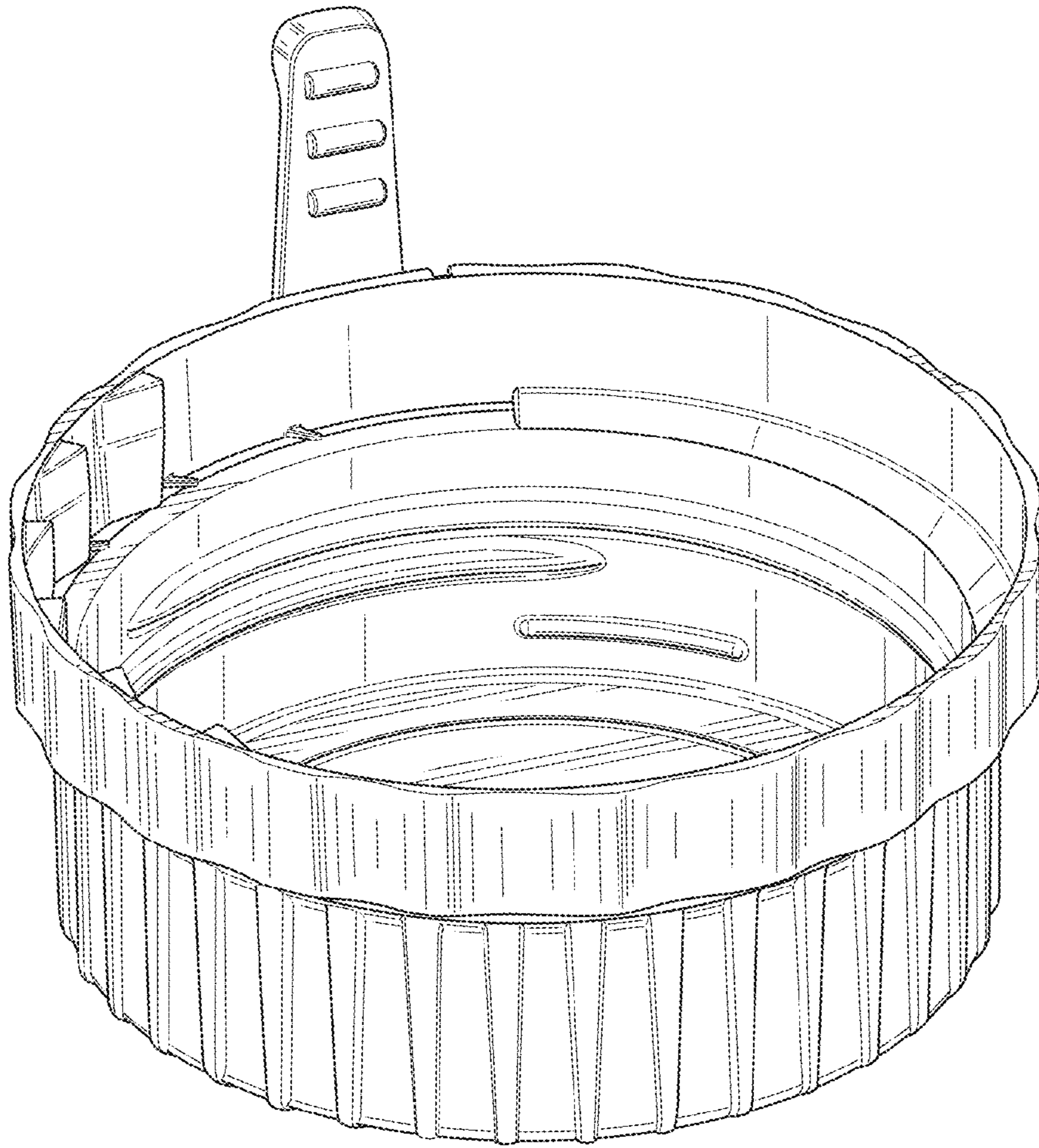


FIG. 23

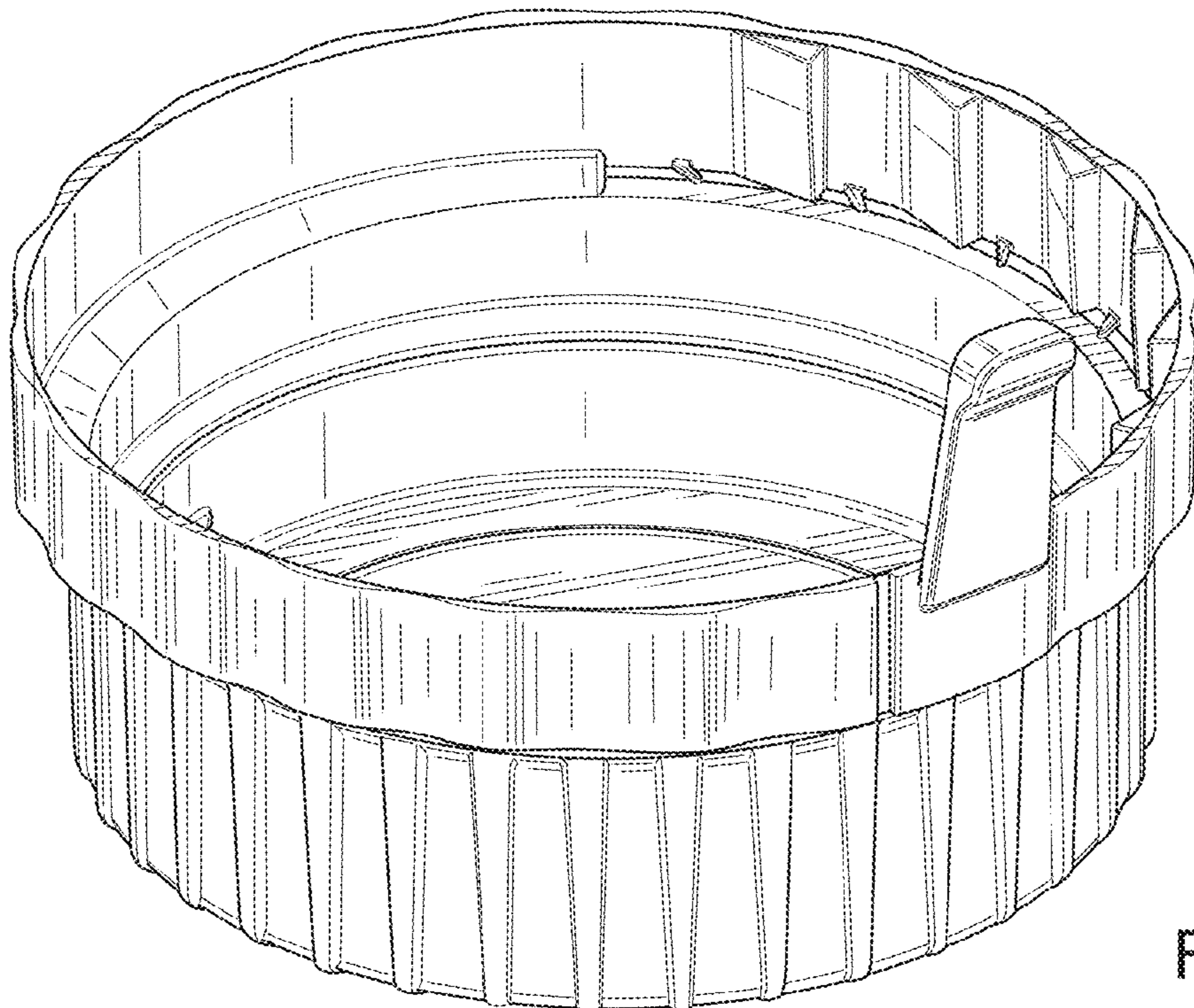


FIG. 24

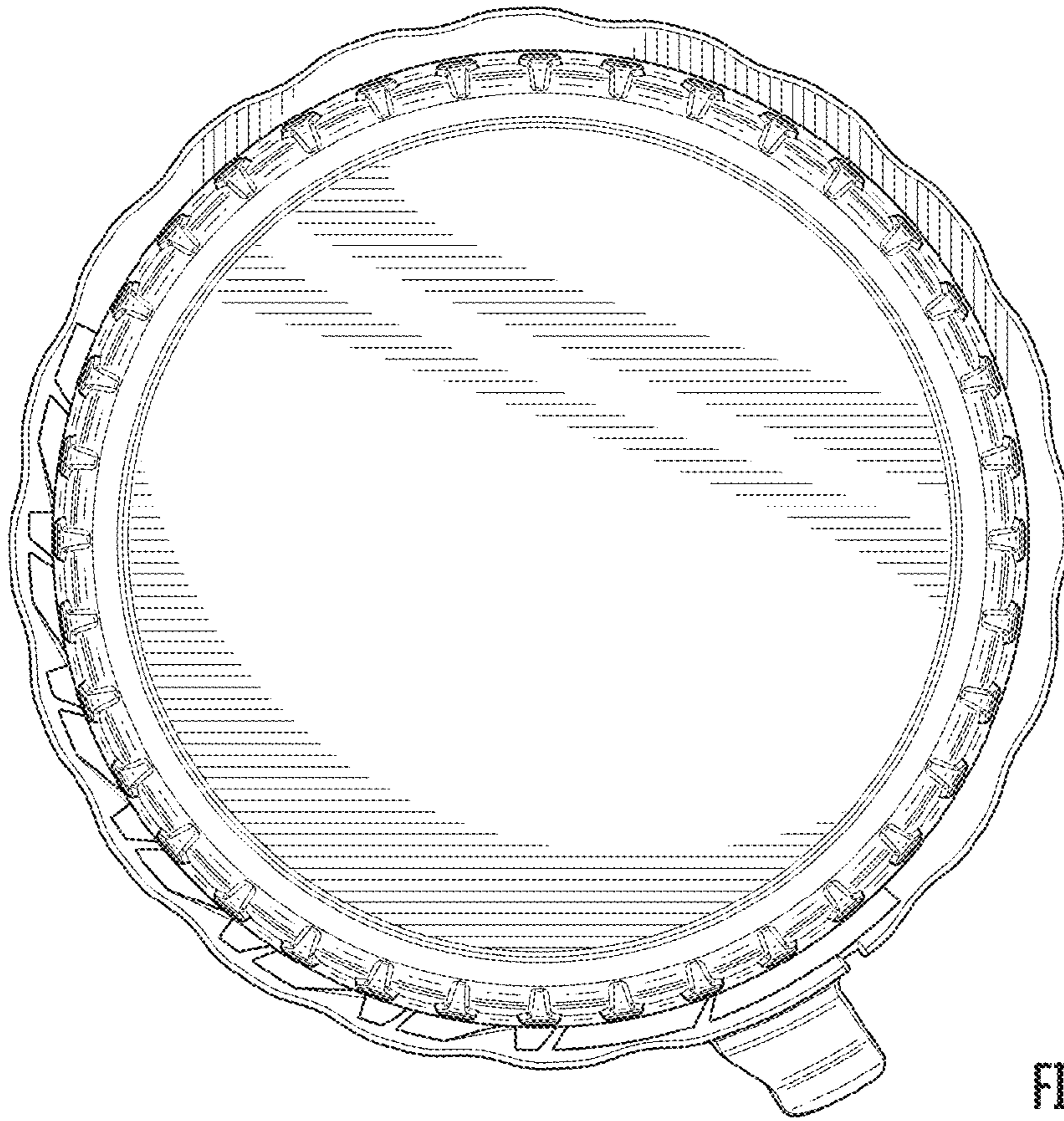


FIG. 25

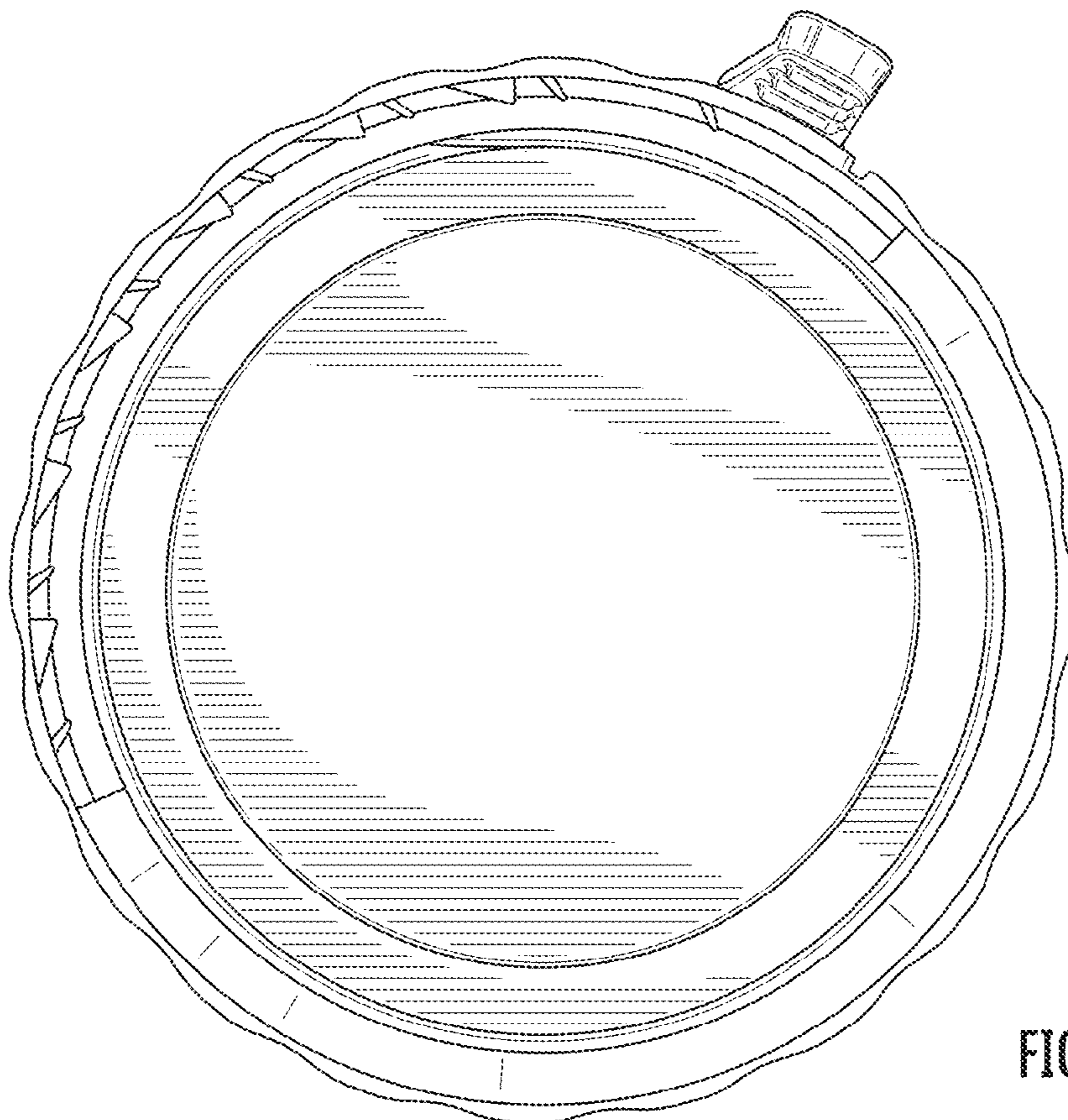


FIG. 26

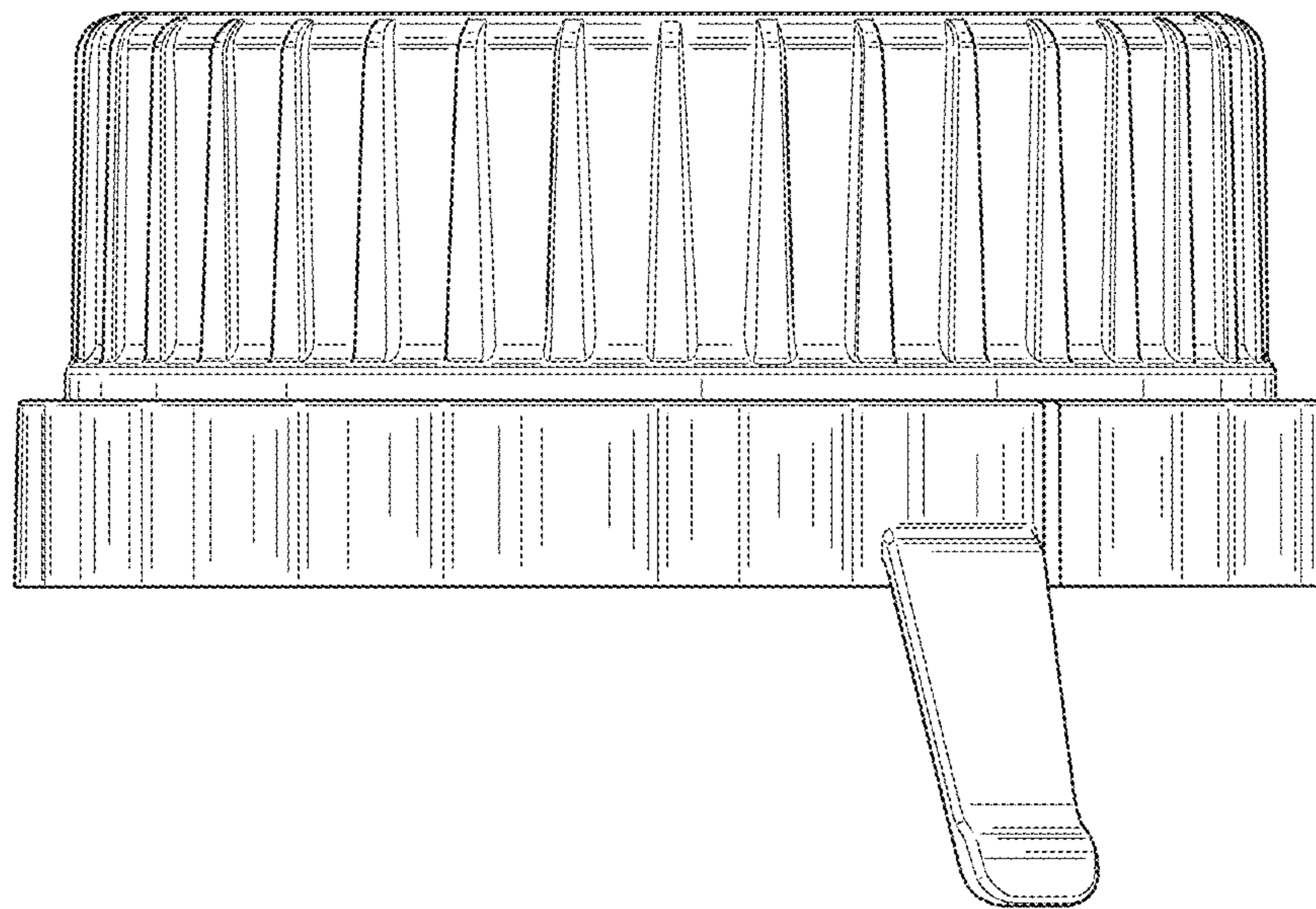


FIG. 27

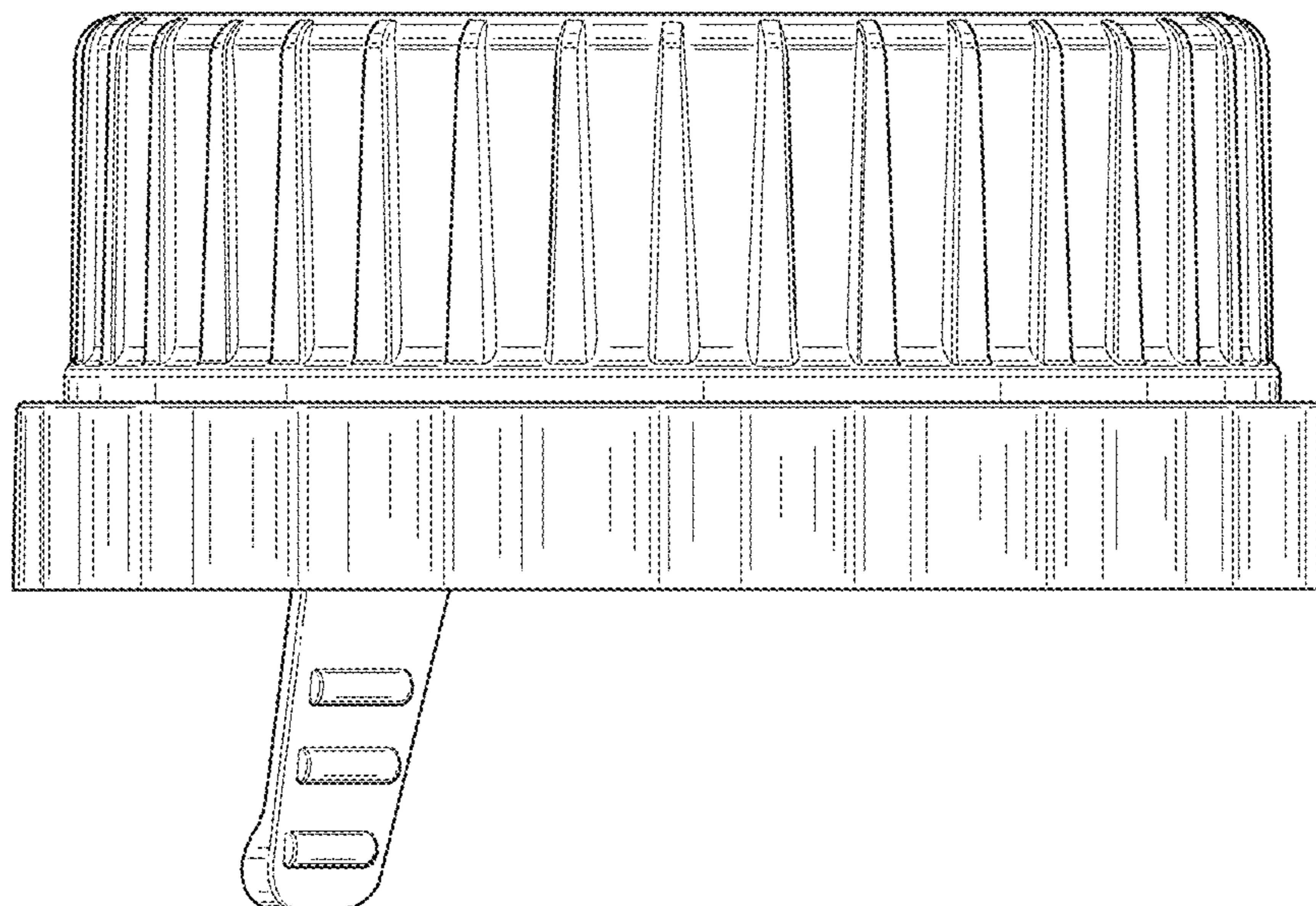


FIG. 28

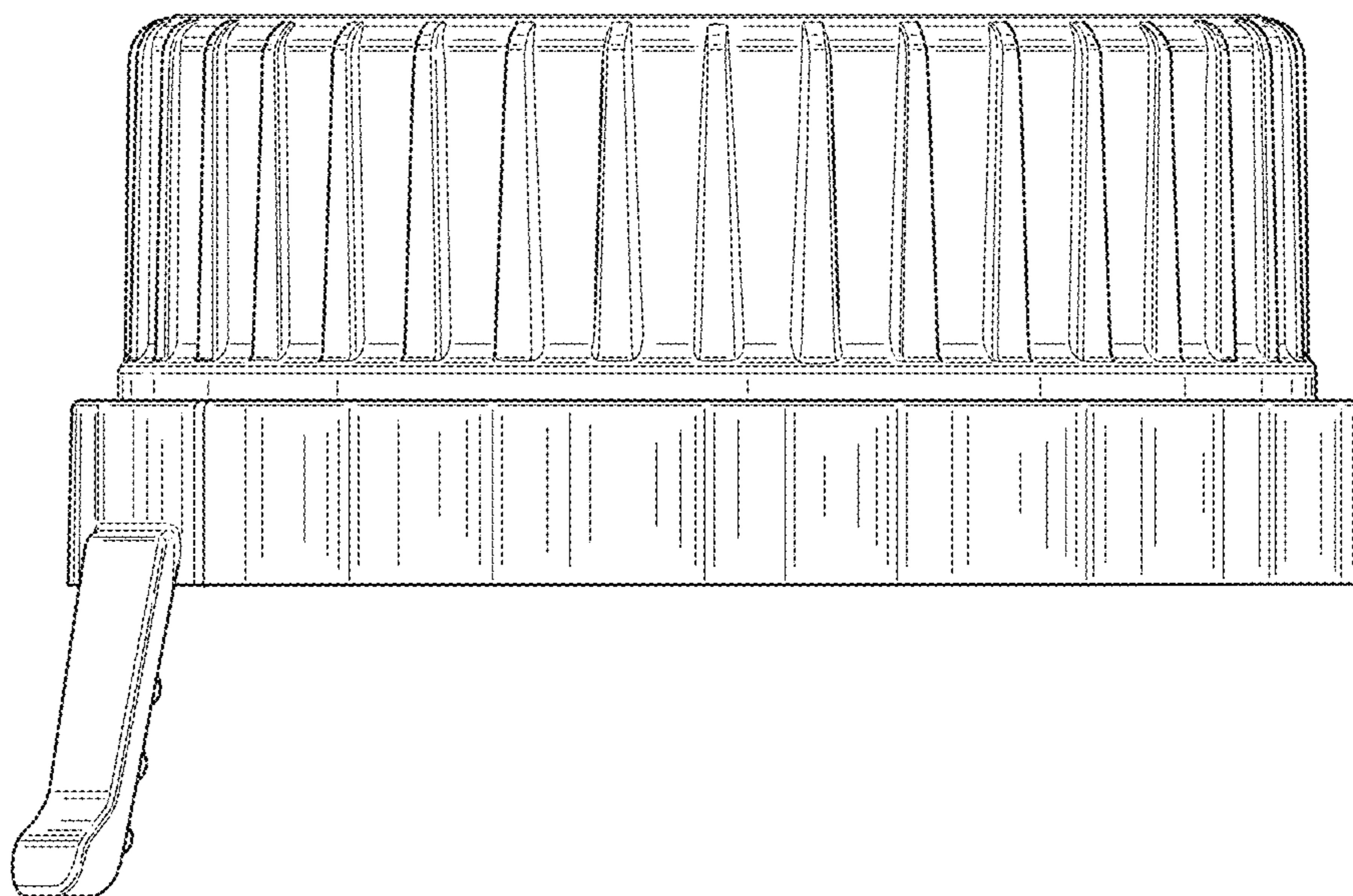


FIG. 29

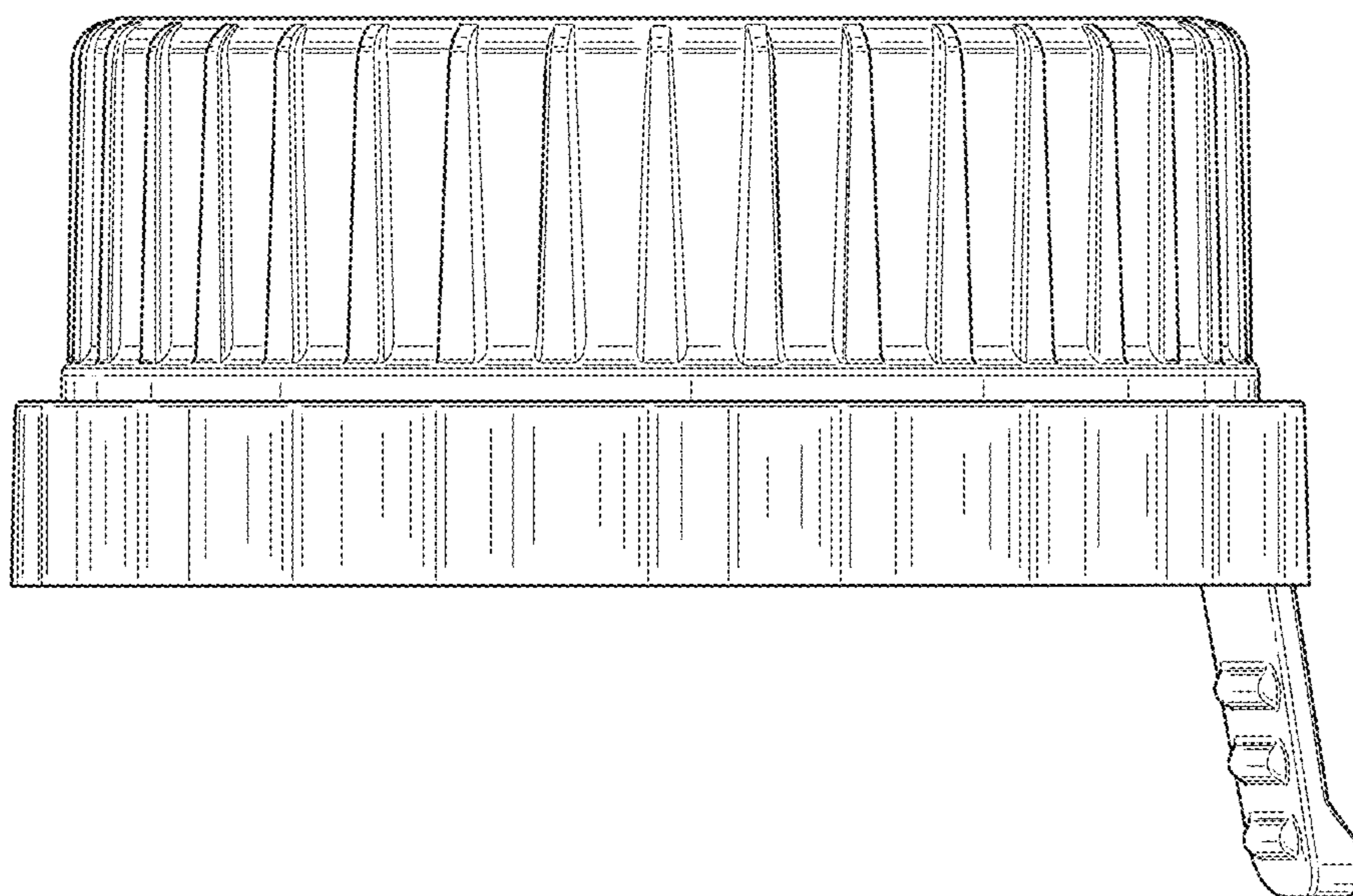


FIG. 30