



US00D908492S

(12) **United States Design Patent**
Sterling

(10) **Patent No.:** **US D908,492 S**
(45) **Date of Patent:** **** Jan. 26, 2021**

(54) **CAP**

FOREIGN PATENT DOCUMENTS

(71) Applicant: **Henkel IP & Holding GmbH**,
Duesseldorf (DE)

BG 6268-0003 * 12/2006

Primary Examiner — Catherine S Posthauer

(72) Inventor: **Daniel Peter Sterling**, Fairfield, CT
(US)

(74) *Attorney, Agent, or Firm* — Bojuan Deng

(73) Assignee: **Henkel IP & Holding GmbH**,
Duesseldorf (DE)

(57) **CLAIM**

(**) Term: **15 Years**

The ornamental design for a cap, as shown and described.

(21) Appl. No.: **29/671,852**

(22) Filed: **Nov. 30, 2018**

DESCRIPTION

(51) **LOC (13) Cl.** **09-07**

(52) **U.S. Cl.**

USPC **D9/452**

(58) **Field of Classification Search**

USPC D9/503, 504, 505, 516, 529, 545, 548,
D9/549, 726, 695, 696, 707, 708, 712,
D9/434, 435, 436, 439, 440, 448, 452,
D9/453, 454; D7/387, 391, 392, 392.1,
D7/396.1, 396.2, 397, 398, 401.1, 415;
D19/115, 192, 194; D23/213, 226, 249,
D23/255; D24/111, 112, 119, 127, 130,
D24/141, 169, 193, 194, 196, 197, 199,
D24/222, 224

CPC ... F16M 11/08; G03B 11/041; B05B 11/0027;
B05B 11/0032; B05B 11/3004; B05B
11/3015; B05B 11/306; B05B 11/3064;
B05B 11/3059; B65B 29/06; B65B 1/04;
B65D 25/48; B65D 2543/00046; B65D

(Continued)

FIG. 1 is a front perspective view of a cap according to a first embodiment of the new design;

FIG. 2 is a front side elevation view of the first embodiment;

FIG. 3 is a rear side elevation view of the first embodiment;

FIG. 4 is a right side elevation view of the first embodiment;

FIG. 5 is a left side elevation view of the first embodiment;

FIG. 6 is a top plan view of the first embodiment;

FIG. 7 is a bottom plan view of the first embodiment;

FIG. 8 is a front perspective view of a cap according to a second embodiment of the new design;

FIG. 9 is a front side elevation view of the second embodiment;

FIG. 10 is a rear side elevation view of the second embodiment;

FIG. 11 is a right side elevation view of the second embodiment;

FIG. 12 is a left side elevation view of the second embodiment;

FIG. 13 is a top plan view of the second embodiment; and,

FIG. 14 is a bottom plan view of the second embodiment. The broken lines are included for the purpose of illustrating the portions of the cap that form no part of the claimed design.

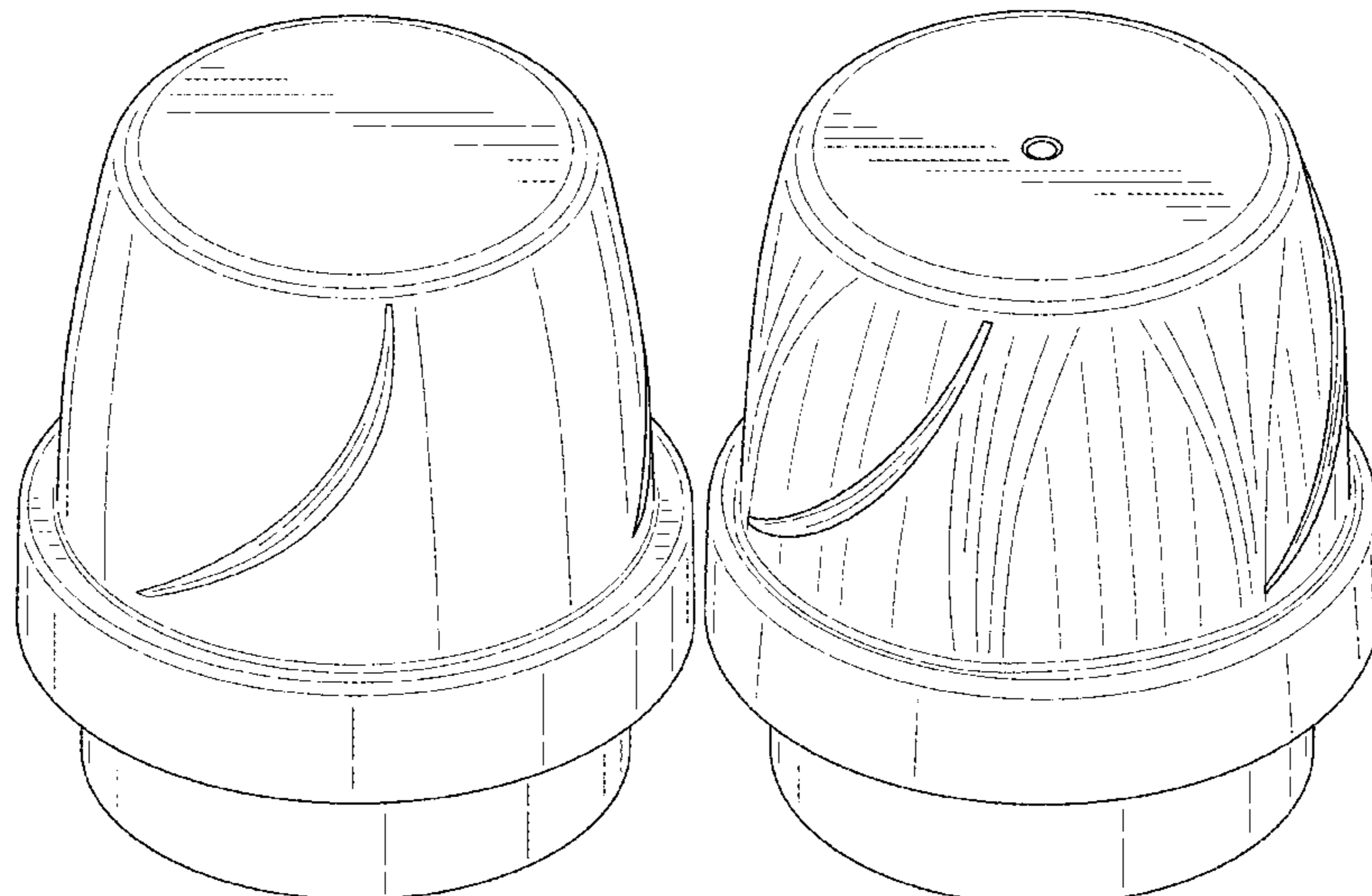
(56) **References Cited**

U.S. PATENT DOCUMENTS

D169,994 S * 7/1953 Soffer D9/453
D240,021 S * 5/1976 Lawhesd D9/439
D240,716 S * 7/1976 Hegi D9/440

(Continued)

1 Claim, 14 Drawing Sheets



(58) **Field of Classification Search**
 CPC ... 2543/00092; B65D 43/0222; B65D 47/103;
 A47G 19/2272
 See application file for complete search history.

(56) **References Cited**

U.S. PATENT DOCUMENTS

D288,663 S *	3/1987	Thieffry	D9/452
D358,294 S *	5/1995	Letica	D7/392.1
D382,482 S *	8/1997	Lathrop	D9/453
D411,452 S *	6/1999	Geier	D9/448
D442,090 S *	5/2001	Jackson	D9/453
D443,820 S *	6/2001	Crawford	D9/439
D444,064 S *	6/2001	Crawford	D9/439
D444,065 S *	6/2001	Crawford	D9/439
D444,383 S *	7/2001	Crawford	D9/453
D445,682 S *	7/2001	Michael	D9/436
D449,783 S *	10/2001	Crawford	D9/439
D452,826 S *	1/2002	Bezek	D9/503
D472,306 S *	3/2003	Slothower	D23/249
D475,924 S *	6/2003	Haffner	D9/435
D489,980 S *	5/2004	Shurtleff	D9/448
D534,076 S *	12/2006	Green	A45D 40/0068 D9/435

D534,799 S *	1/2007	Henry	D9/435
D537,714 S *	3/2007	Yerby	D9/445
D550,078 S *	9/2007	Henry	D9/435
D555,477 S *	11/2007	Mayers	D9/445
D568,743 S *	5/2008	Kunesh	D9/445
D570,953 S *	6/2008	Patterson	D23/213
D593,372 S *	6/2009	Carreno	D7/608
D641,626 S *	7/2011	Kaplan	D9/447
D672,649 S *	12/2012	Cummings	D9/445
D734,638 S *	7/2015	Wahl	D7/392.1
D735,033 S *	7/2015	Lynd	D9/435
D738,216 S *	9/2015	Martz	D9/451
D759,487 S *	6/2016	Jayakaran	D9/453
D768,492 S *	10/2016	Kim	D9/434
D784,812 S *	4/2017	Miller	D9/435
D789,529 S *	6/2017	Davis	D24/130
D796,325 S *	9/2017	Miller	D9/434
D801,175 S *	10/2017	Henige	D9/453
D805,637 S *	12/2017	Bureau	D24/130
D814,853 S *	4/2018	Melanson	D7/391
D824,760 S *	8/2018	Lebon	D9/447
D834,187 S *	11/2018	Ryan	A61M 39/20 D24/130
D836,389 S *	12/2018	Abante	D7/392.1
D860,716 S *	9/2019	Abante	D7/392.1
10,414,556 B2 *	9/2019	Kim	B65D 1/0253

* cited by examiner

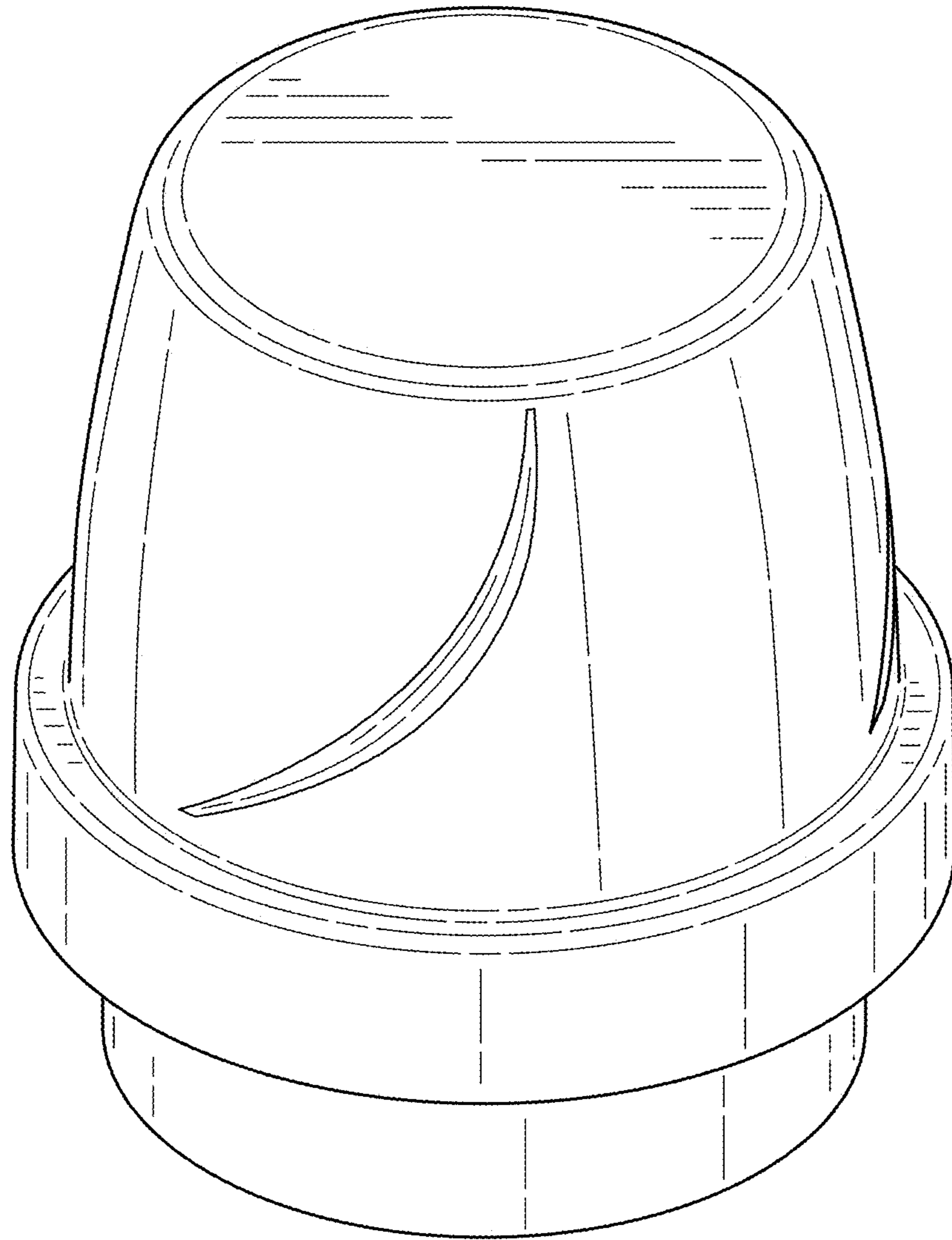


FIG.1

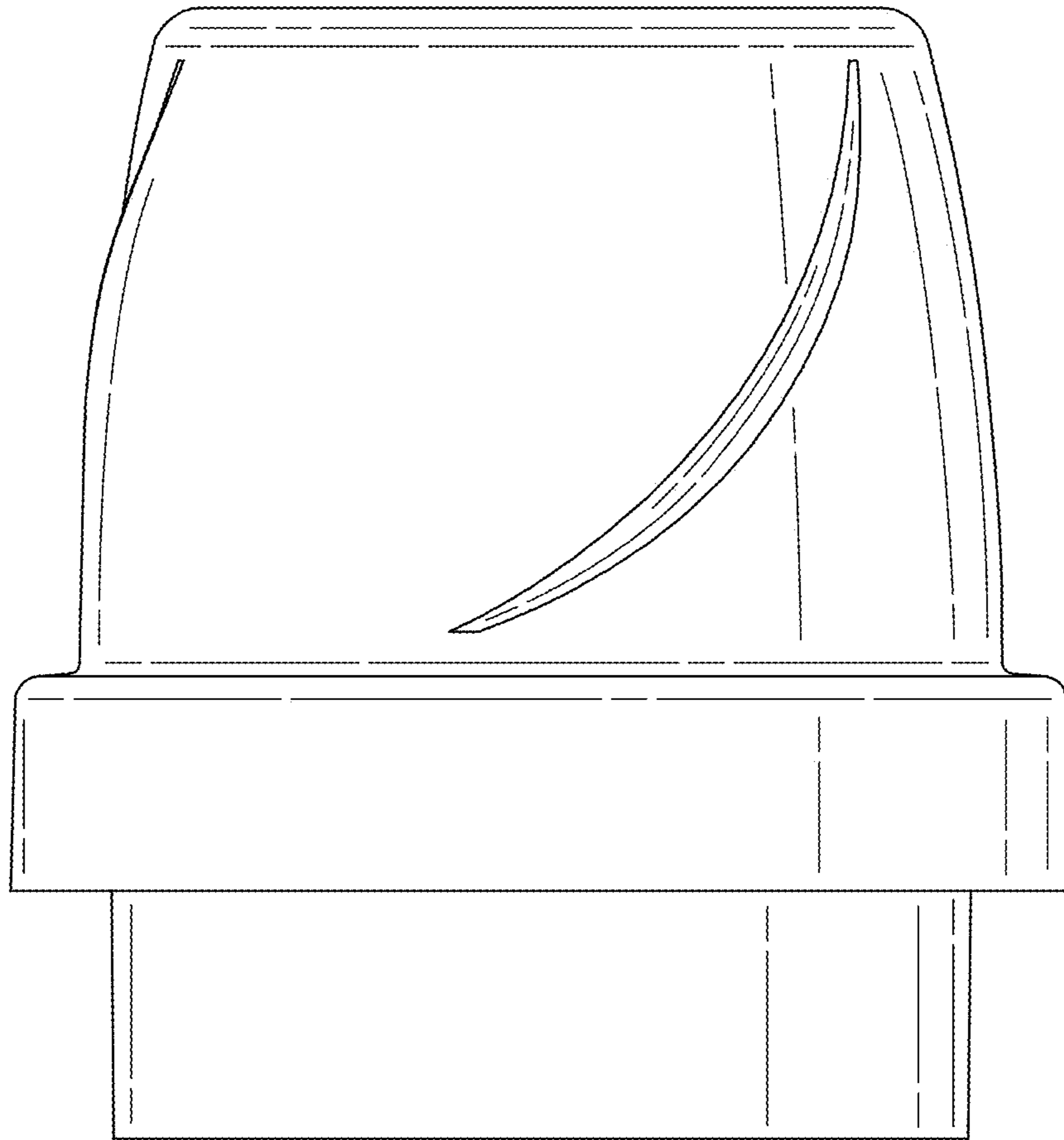


FIG.2

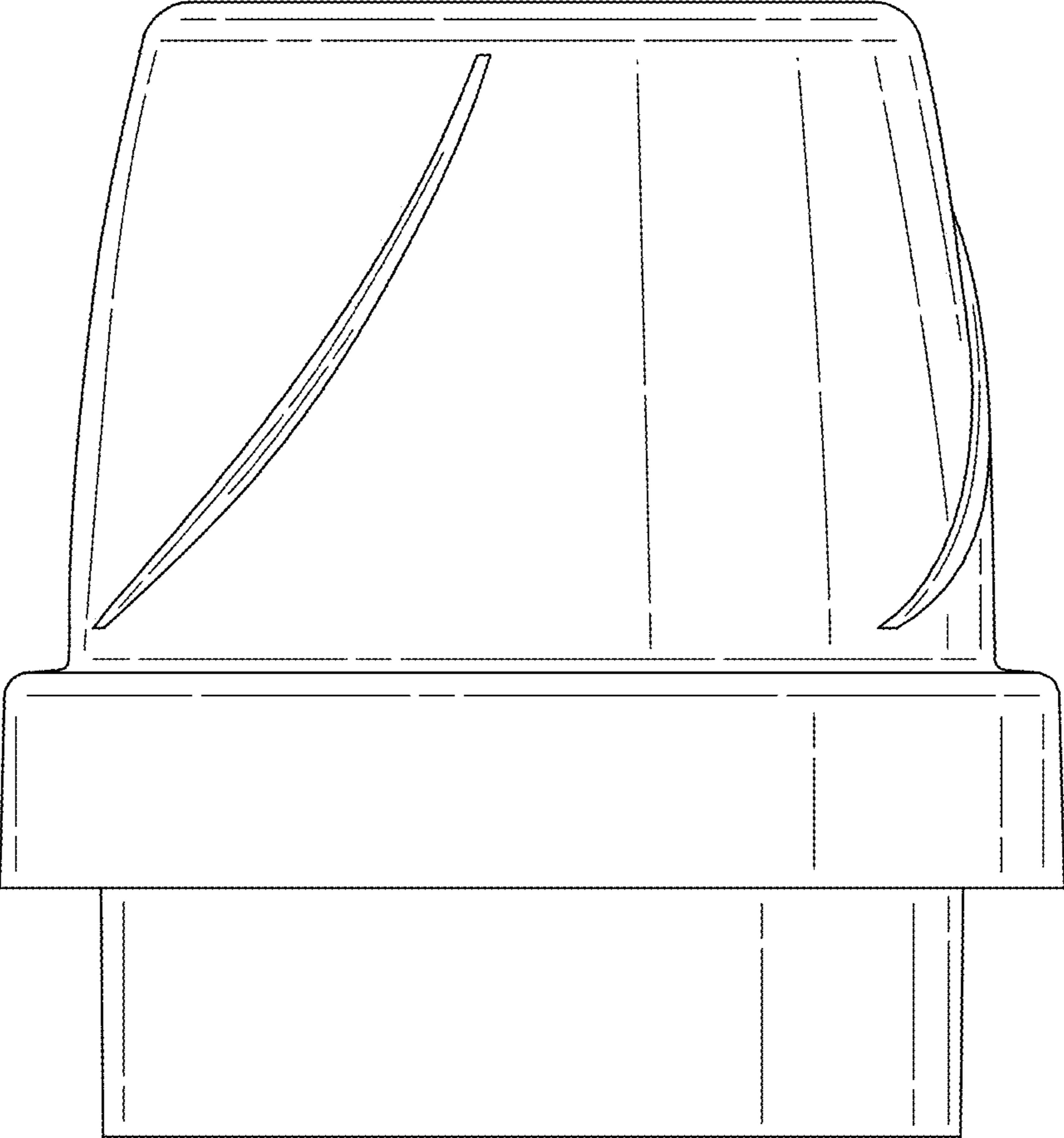


FIG.3

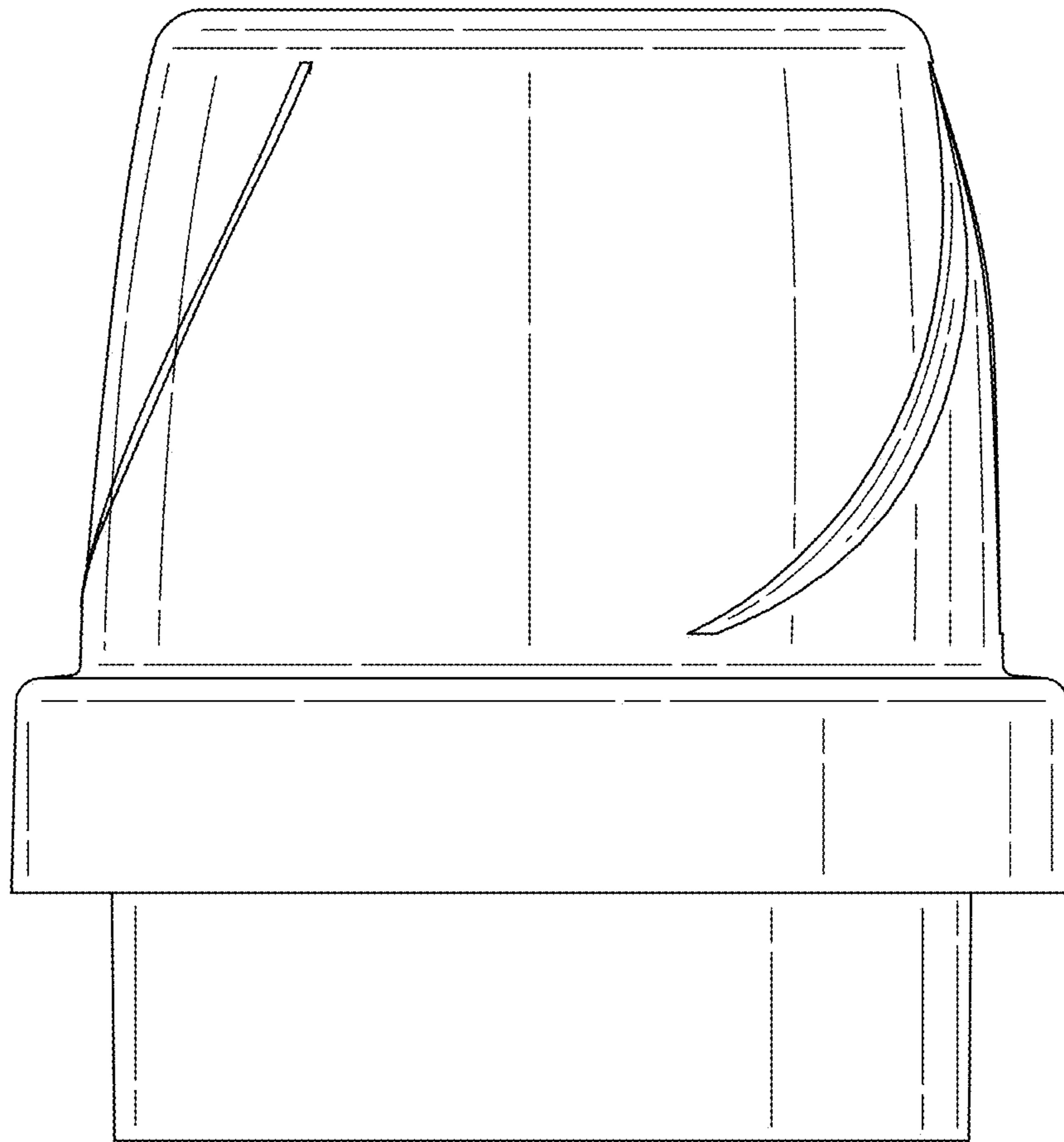


FIG.4

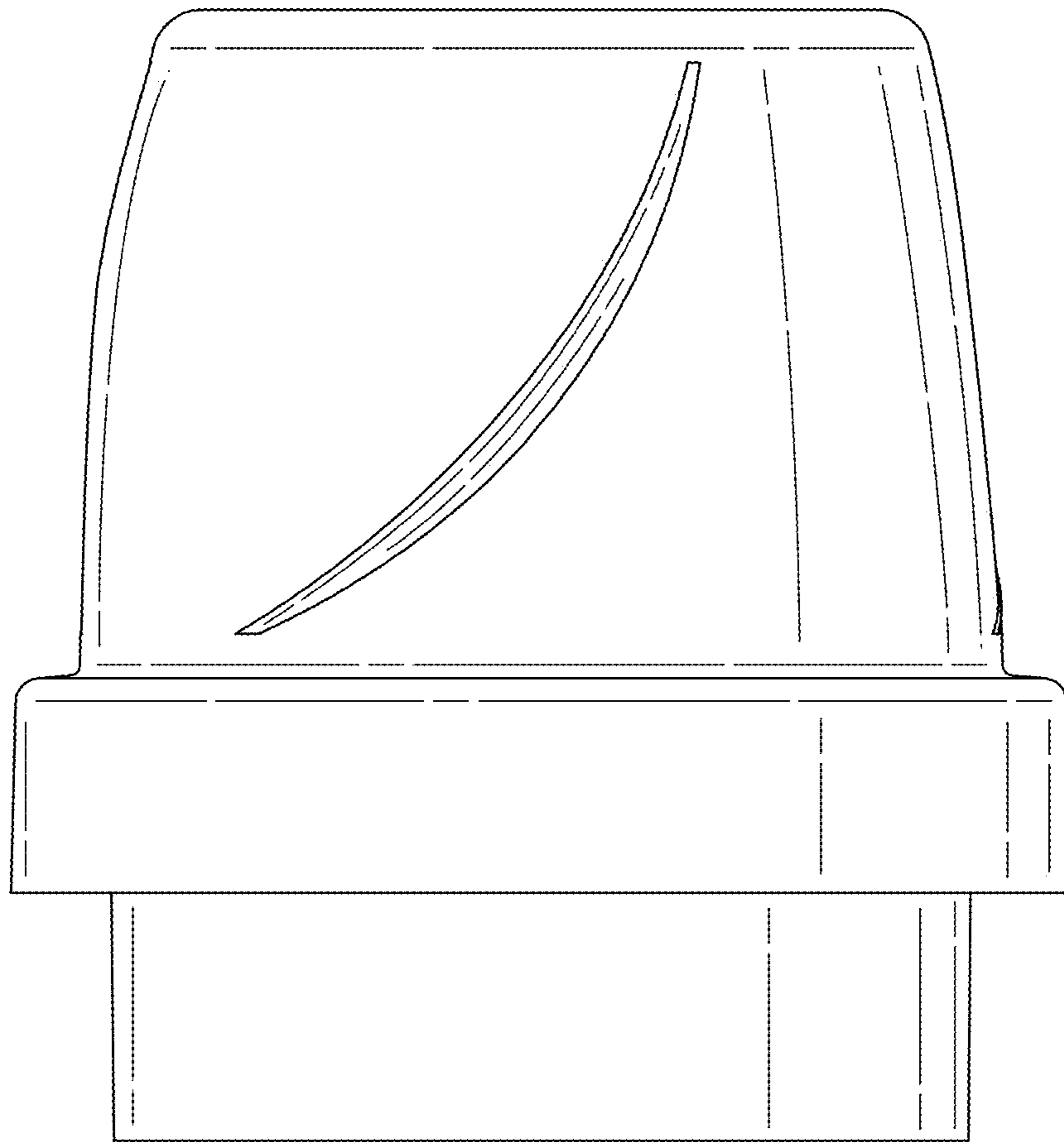


FIG.5

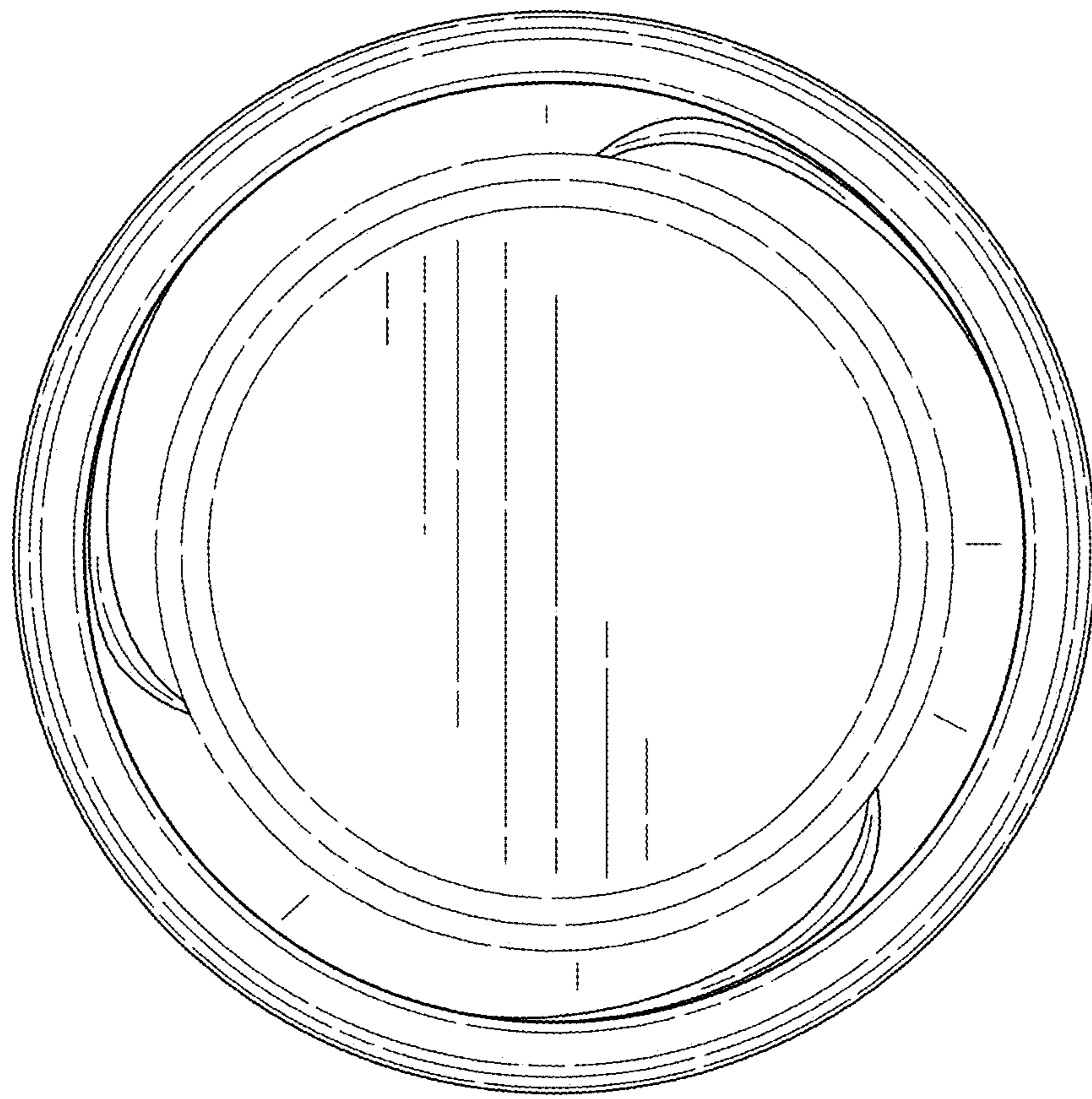


FIG.6

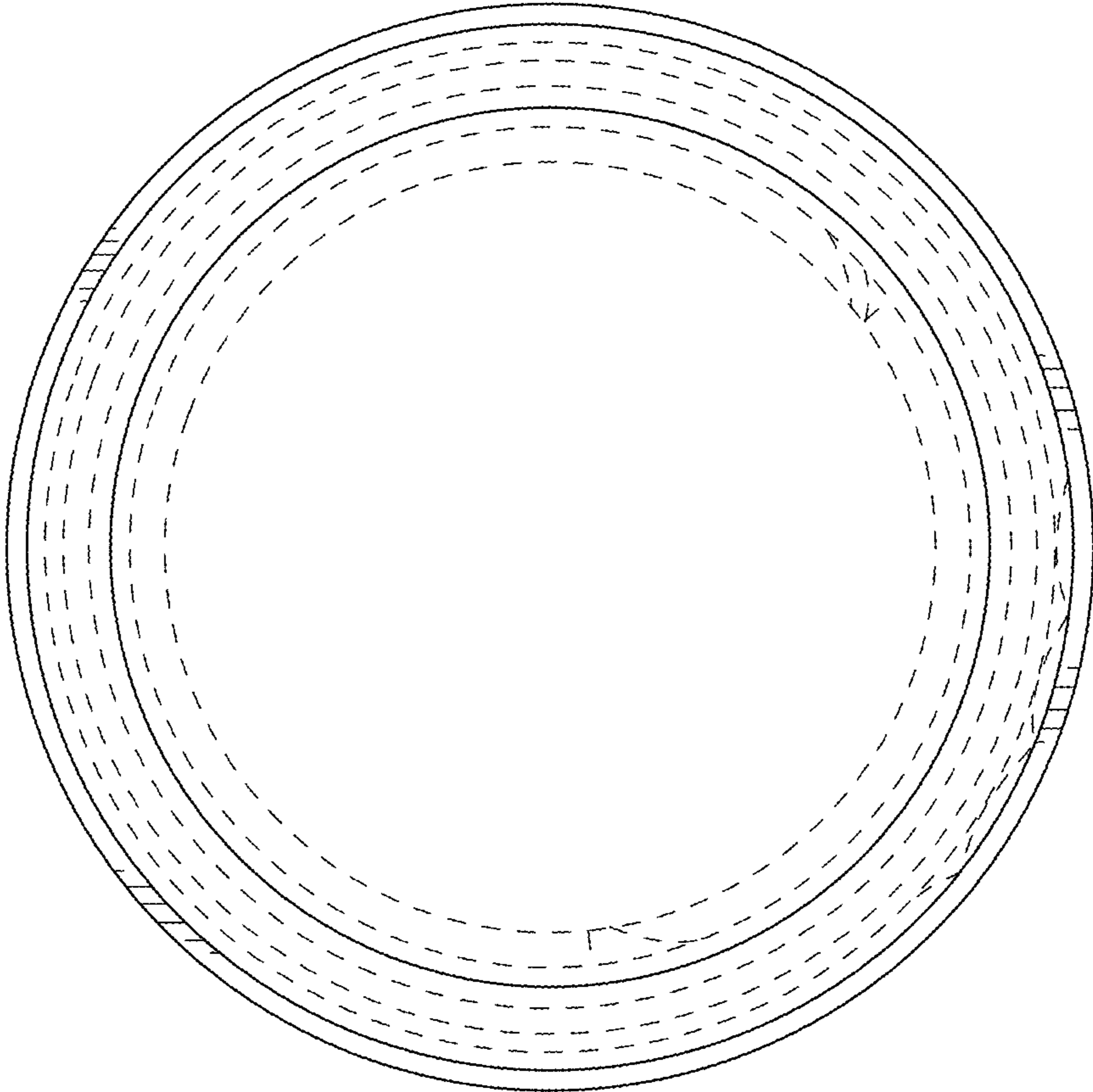


FIG.7

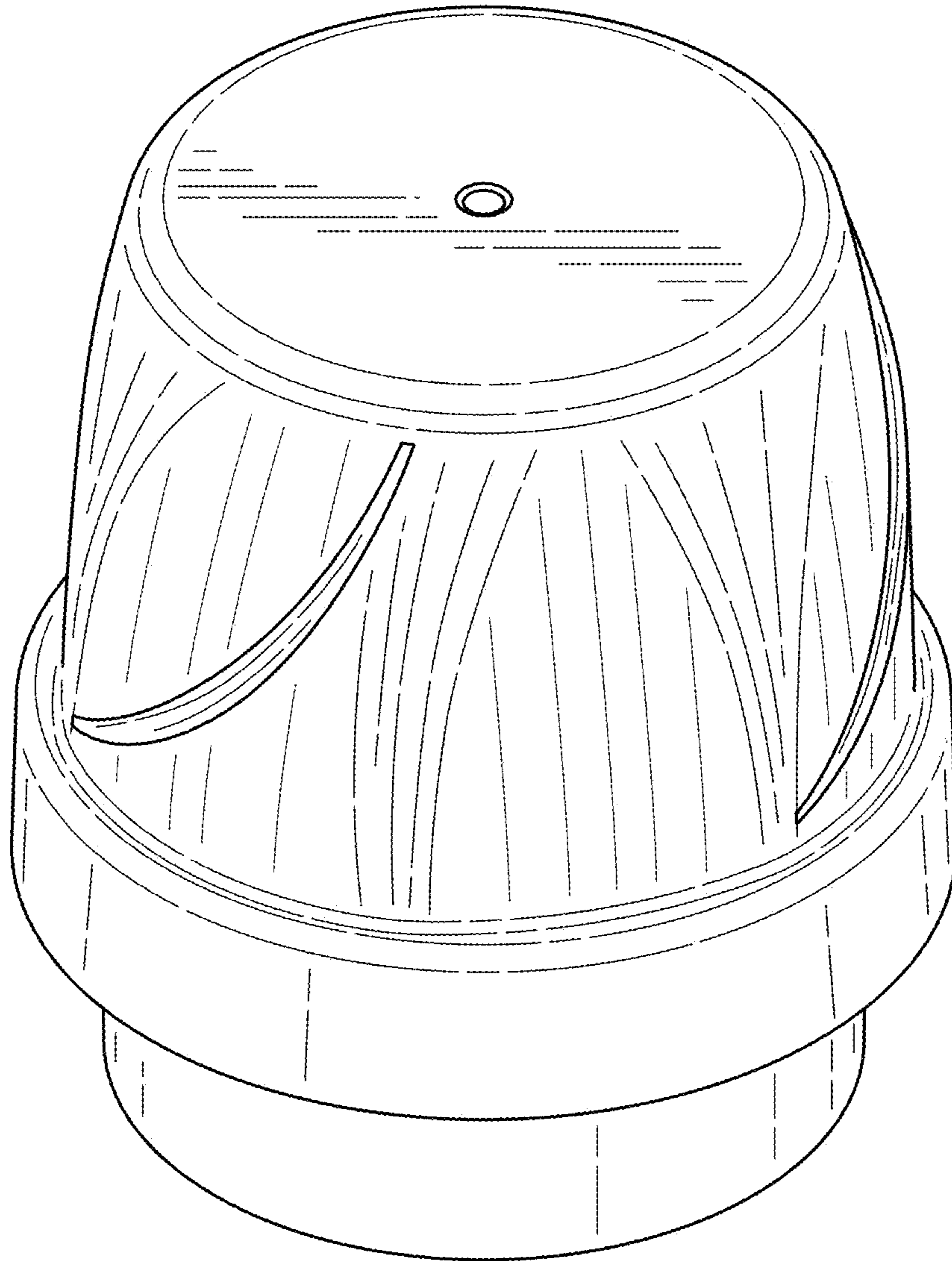


FIG.8

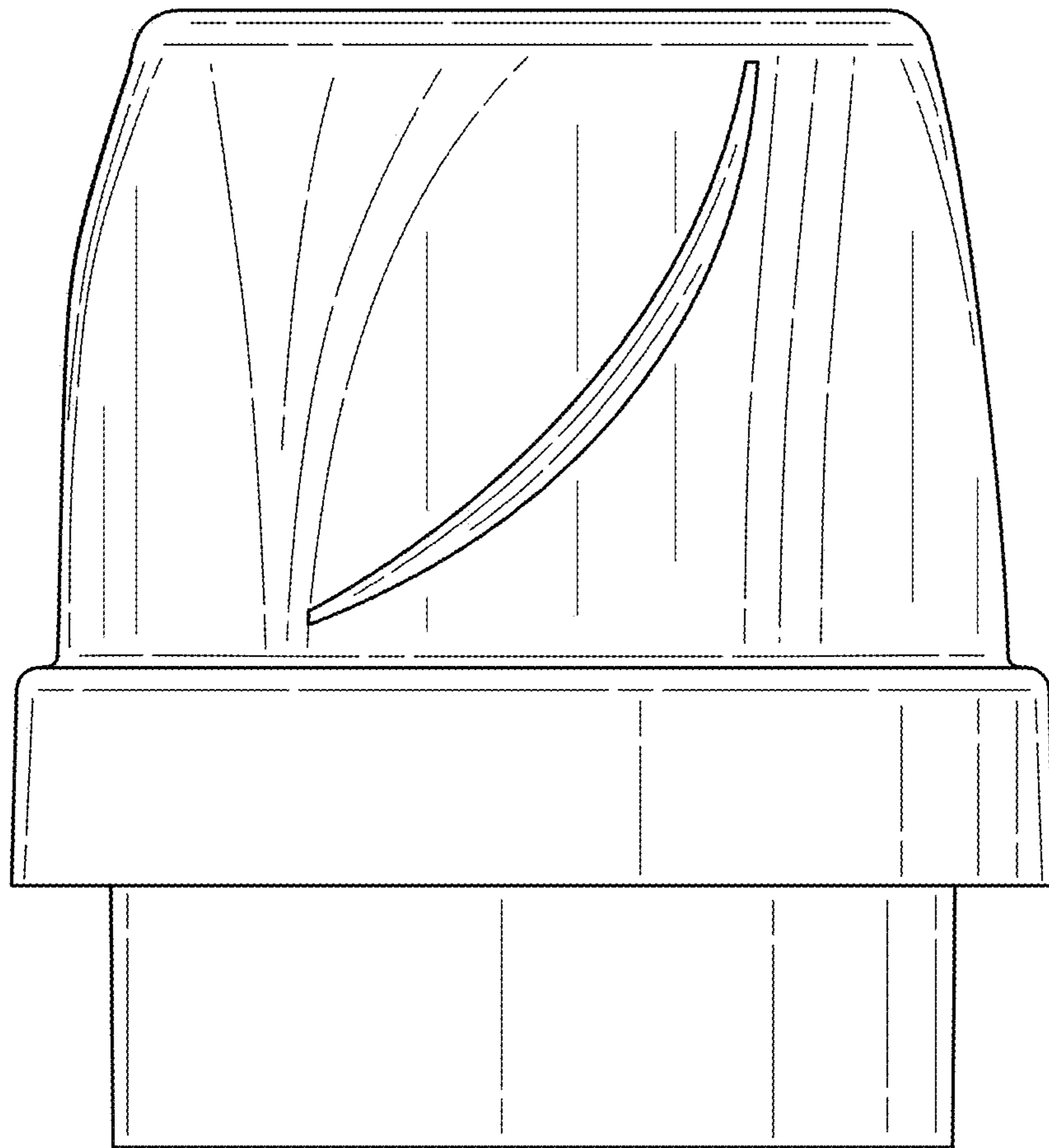


FIG.9

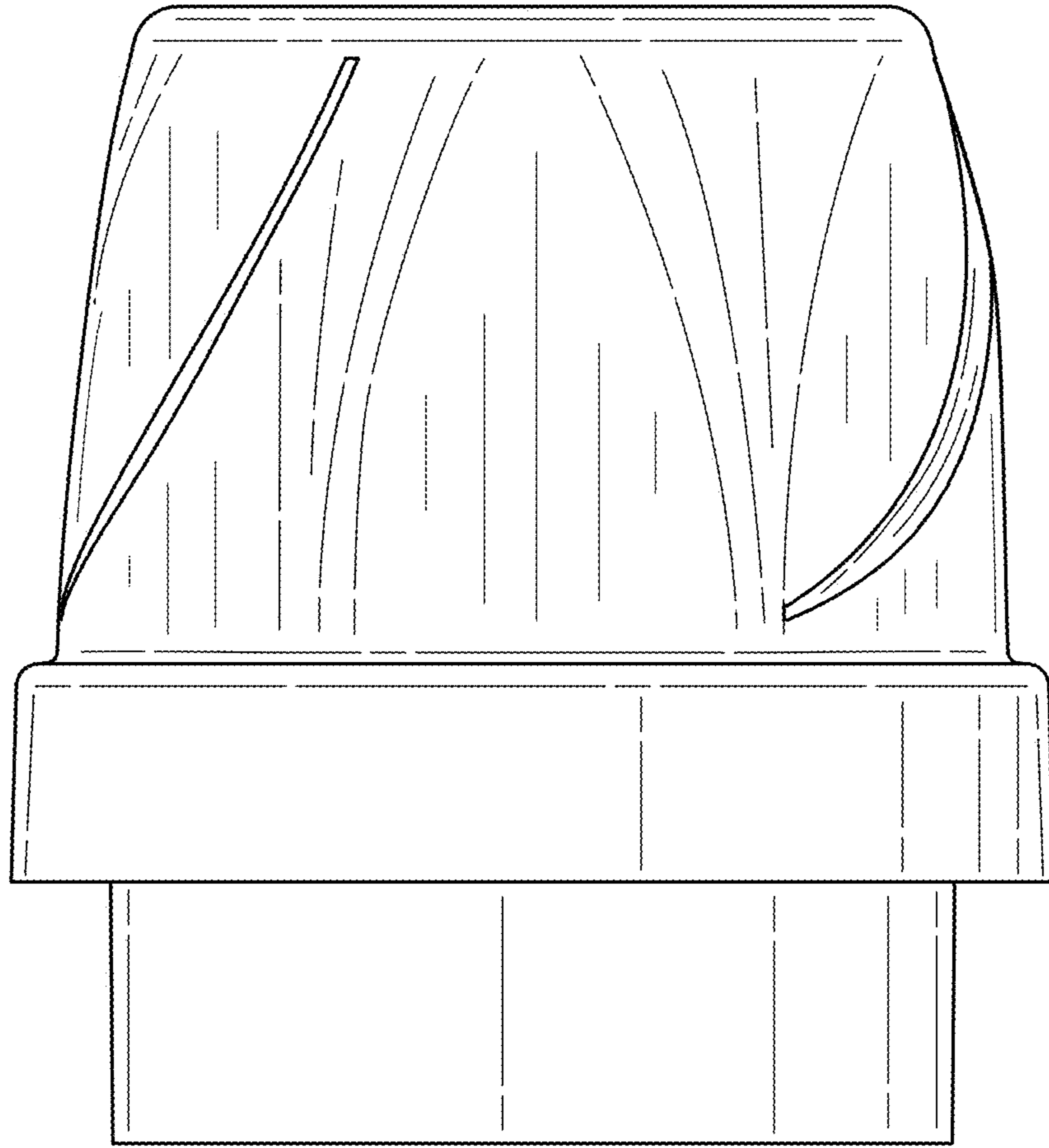


FIG.10

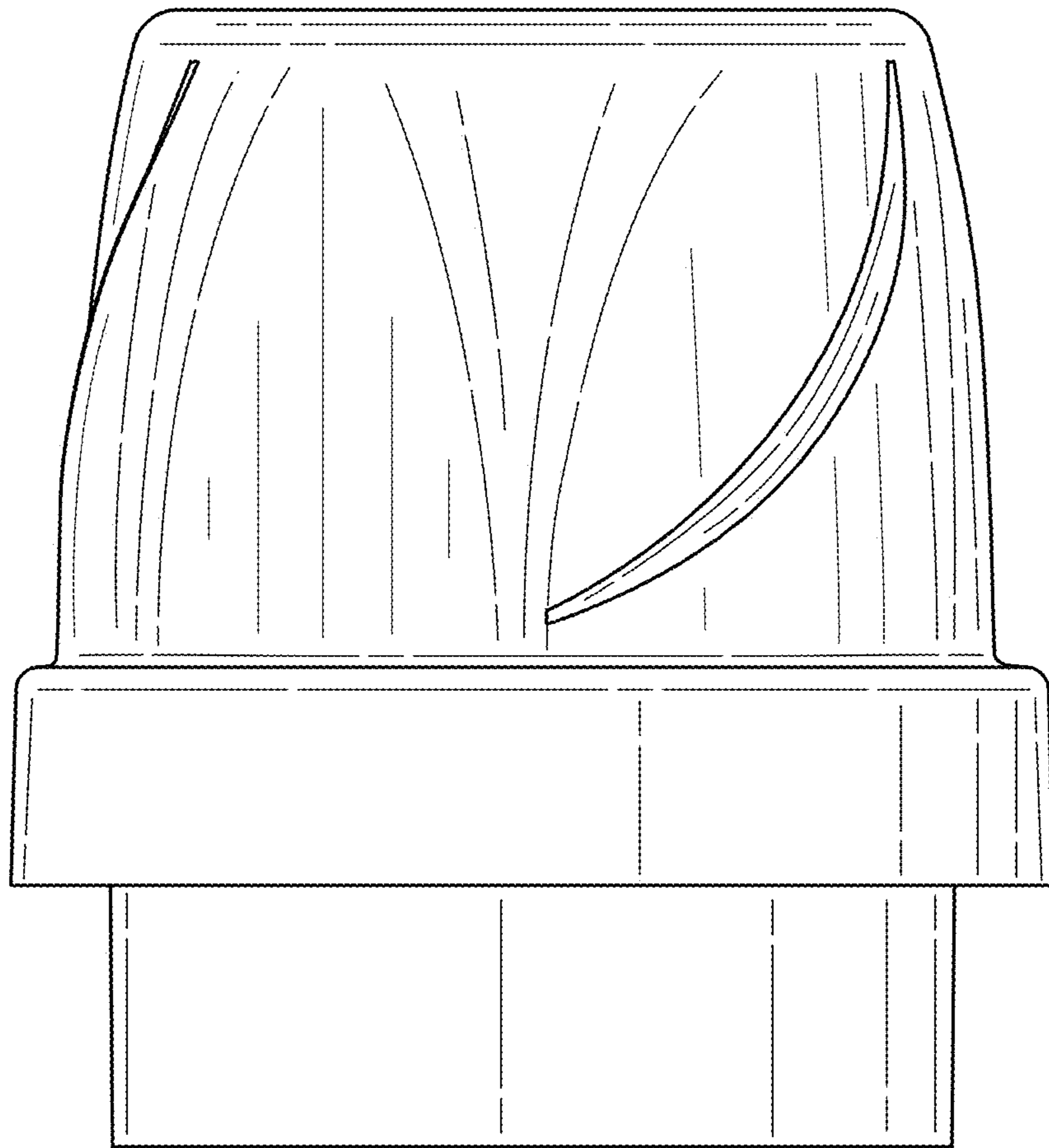


FIG.11

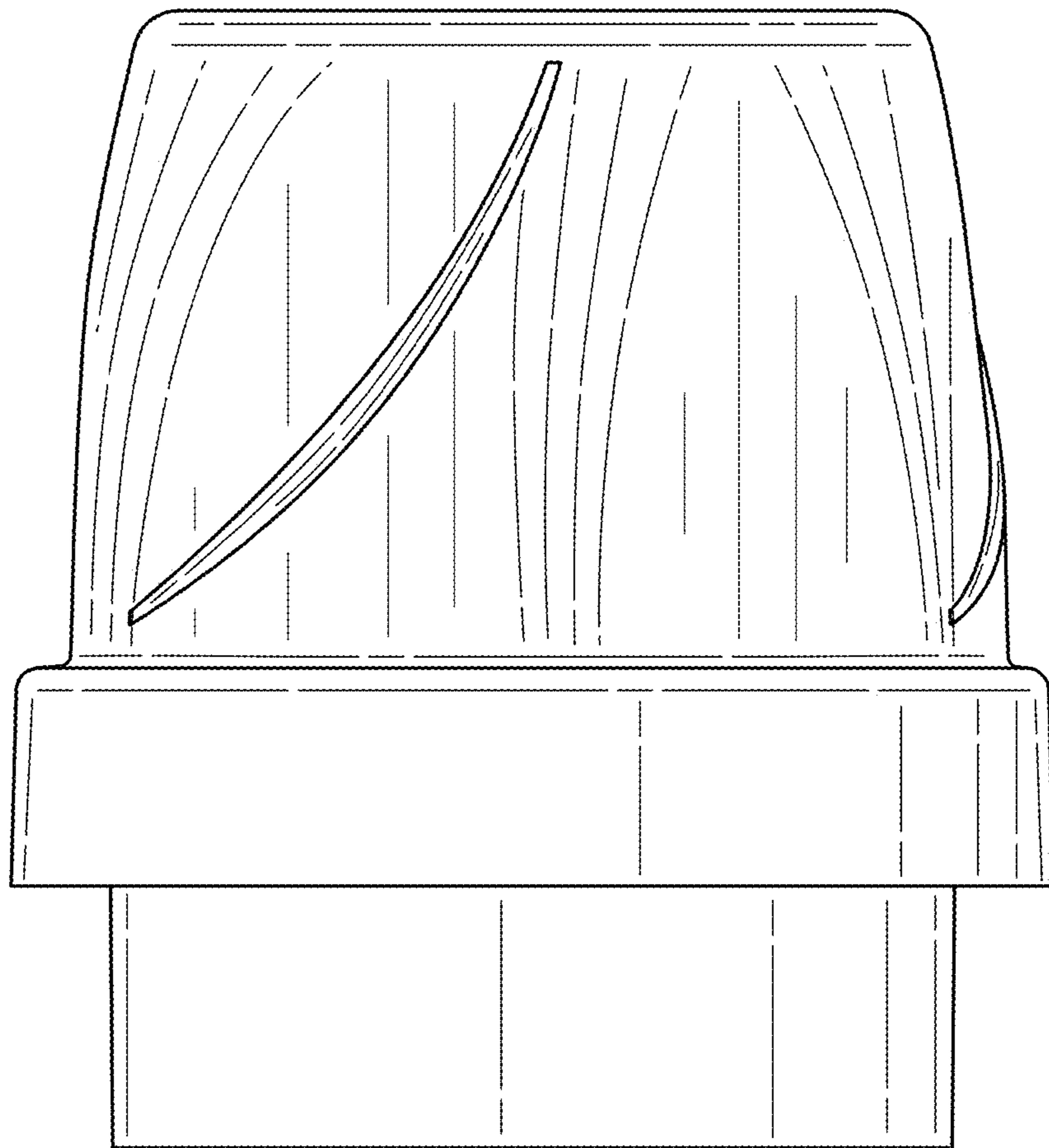


FIG.12

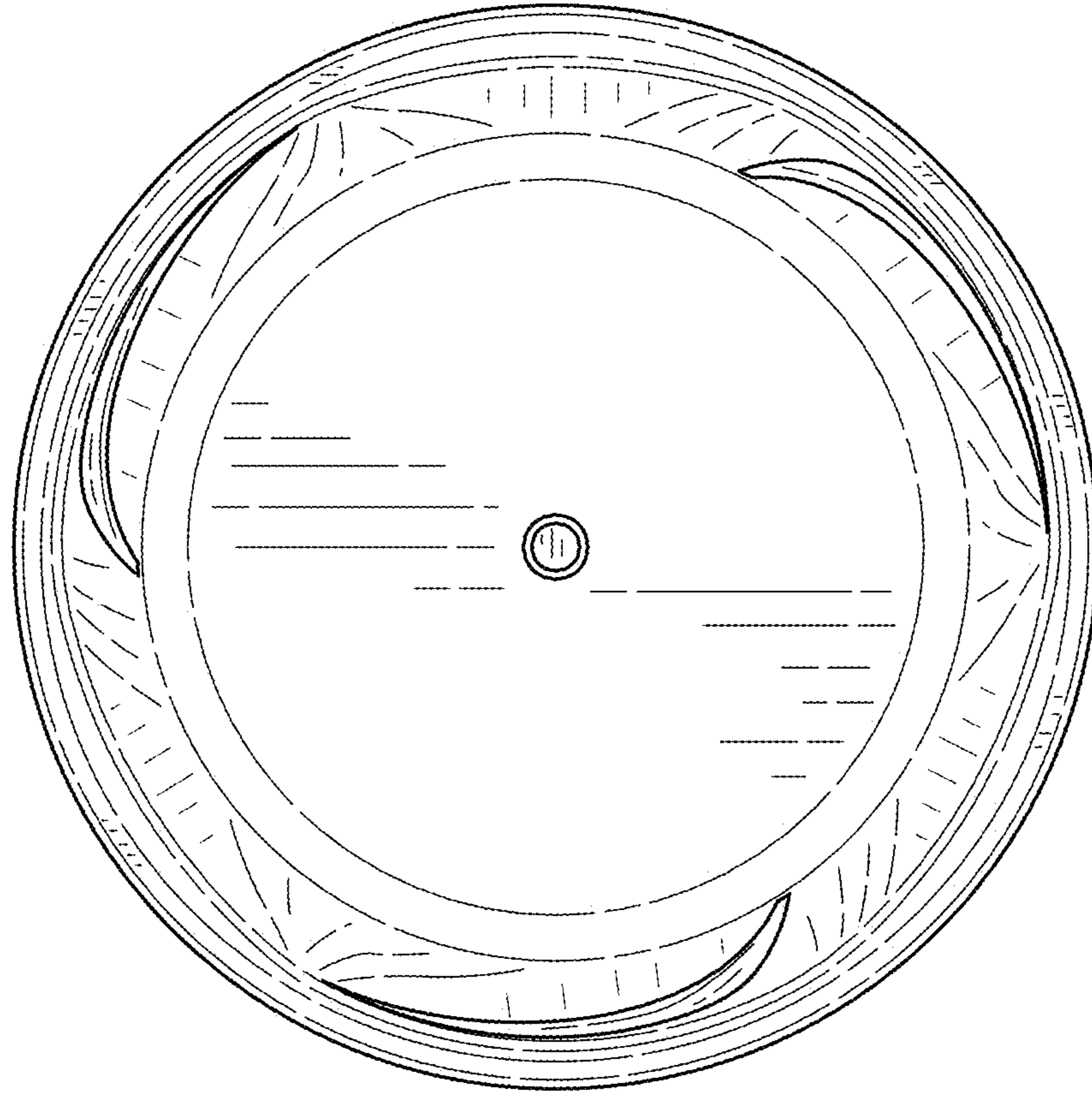


FIG.13

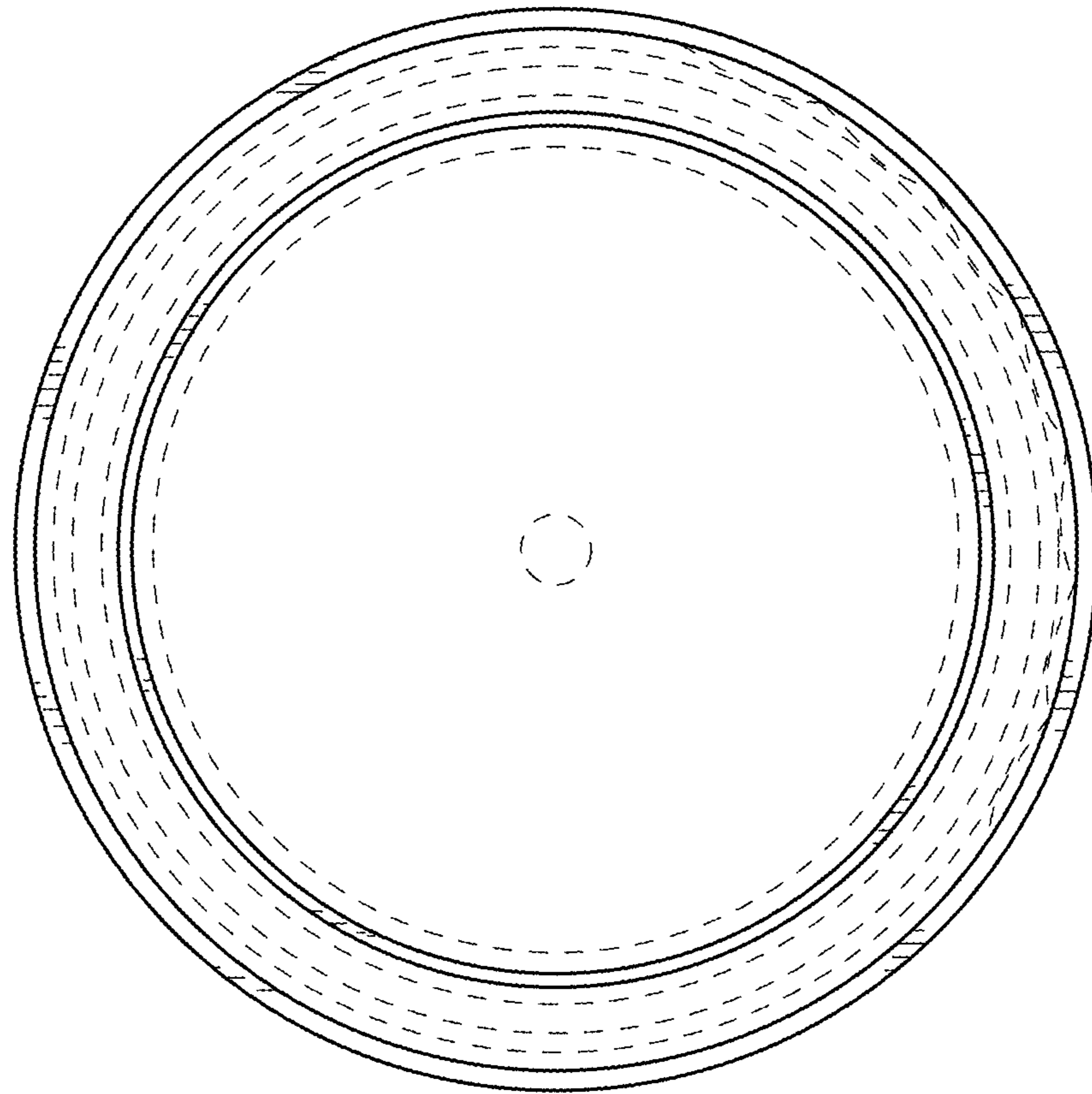


FIG.14