



US00D908490S

(12) **United States Design Patent** (10) **Patent No.:** **US D908,490 S**  
**Trombley et al.** (45) **Date of Patent:** **\*\* Jan. 26, 2021**

(54) **LID FOR A CONTAINER**

(71) Applicant: **Huhtamaki, Inc.**, De Soto, KS (US)  
(72) Inventors: **Joseph Trombley**, Saginaw, MI (US);  
**Noah Minasola**, Midland, MI (US);  
**Michael Liming**, New Vienna, OH (US)

(73) Assignee: **HUHTAMAKI, INC.**, De Soto, KS (US)

(\*\*) Term: **15 Years**

(21) Appl. No.: **29/735,541**

(22) Filed: **May 21, 2020**

**Related U.S. Application Data**

(62) Division of application No. 29/688,346, filed on Apr. 19, 2019.

(51) **LOC (13) Cl.** ..... **09-07**

(52) **U.S. Cl.**  
USPC ..... **D9/447; D9/454**

(58) **Field of Classification Search**

USPC ..... D7/500, 509, 510, 550.1, 553.1, 553.2,  
D7/553.6, 354, 357, 387, 388, 391, 392,  
D7/392.1, 396.1, 396.2, 396.3, 396.6,  
D7/397; D9/434, 435, 436, 438, 445,  
D9/447, 449, 454; D23/206, 209, 259,  
D23/260, 261; D24/193, 194, 197, 199  
CPC ..... A47G 19/2211; A47G 19/2272;  
B65D 43/02; B65D 43/0214; B65D  
43/0202; B65D 43/0218; B65D 41/34;  
B65D 53/02; B65D 50/041; B65D  
2501/00; B65D 2501/0009; B65D 47/06;  
B65D 47/08; B65D 47/36; B65D 47/247;  
B65D 47/265;

(Continued)

(56) **References Cited**

**U.S. PATENT DOCUMENTS**

D160,491 S 10/1950 Goldman  
D183,491 S 9/1958 Lerner

(Continued)

**FOREIGN PATENT DOCUMENTS**

WO 2013090803 A1 6/2013  
WO 2015170302 A2 11/2015

**OTHER PUBLICATIONS**

Thermoform Nitro Coffee Lid: Site Visited [Apr. 23, 2020], Available from Internet URL: [https://catalog.berryglobal.com/products/lid/lidrink/dlti314nit2cp.\\*](https://catalog.berryglobal.com/products/lid/lidrink/dlti314nit2cp.*)

(Continued)

*Primary Examiner* — Catherine S Posthauer

(74) *Attorney, Agent, or Firm* — Husch Blackwell LLP

(57) **CLAIM**

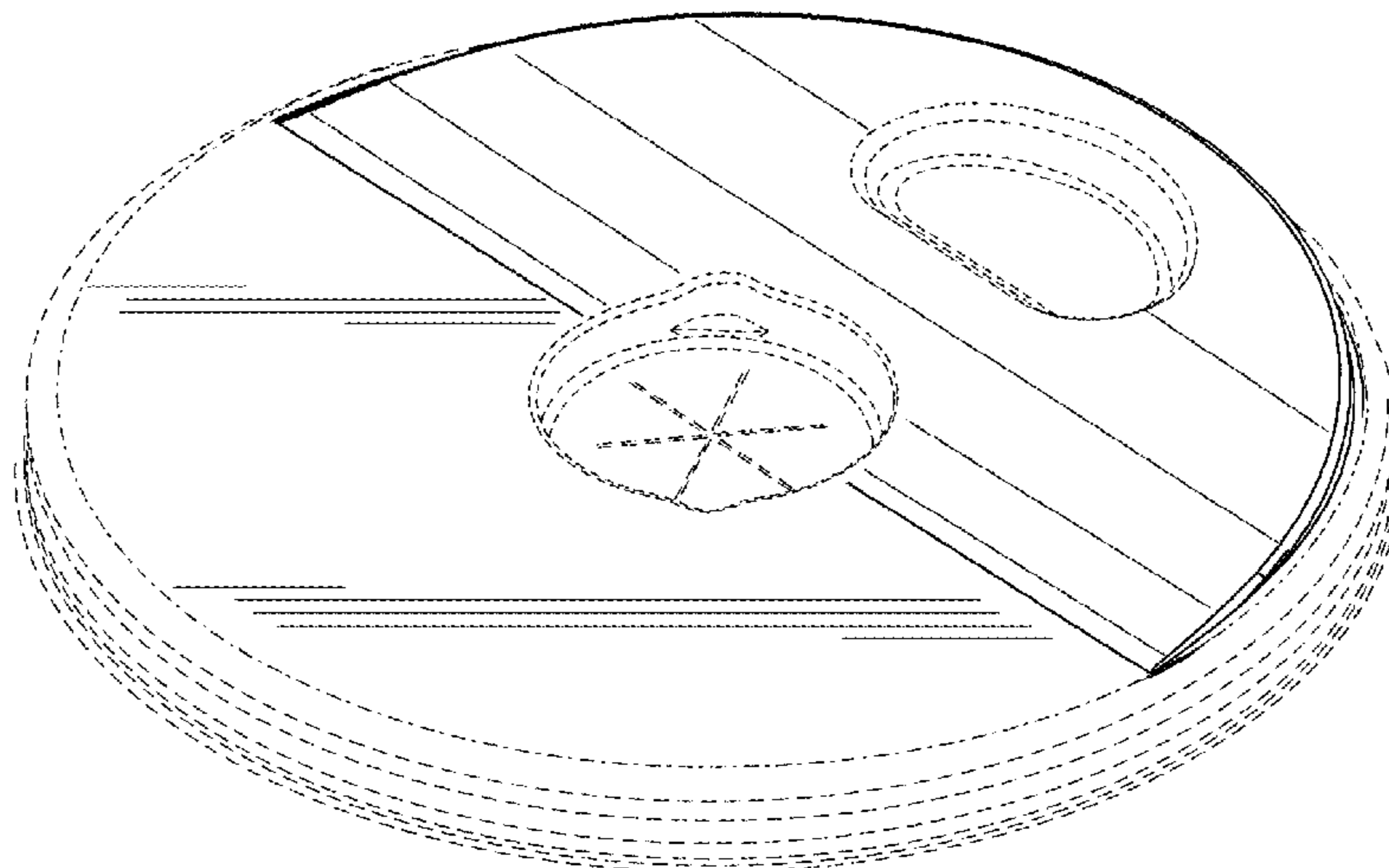
The ornamental design for a lid for a container, as shown and described.

**DESCRIPTION**

FIG. 1 is a perspective view of the design of a lid for a container showing the new design;  
FIG. 2 is a top plan view of the lid for a container shown in FIG. 1;  
FIG. 3 is a rear elevation view of the lid for a container shown in FIG. 1;  
FIG. 4 is a front elevation view of the lid for a container shown in FIG. 1;  
FIG. 5 is a right side elevation view of the lid for a container shown in FIG. 1 (the left side elevation view is a mirror image of FIG. 5); and,  
FIG. 6 is a bottom plan view of the lid for a container shown in FIG. 1.

The evenly broken lines are shown for the purpose of illustrating parts of the article that form no part of the claim. The dot-dash lines represent the boundaries of the claim and form no part thereof.

**1 Claim, 4 Drawing Sheets**



(58) **Field of Classification Search**  
 CPC .. B65D 47/283; B65D 47/065; B65D 47/361;  
 B65D 2231/022; B65D 2543/00046;  
 B65D 2543/00351; A61J 1/16; F16B  
 47/00

See application file for complete search history.

(56) **References Cited**

U.S. PATENT DOCUMENTS

D184,116 S 12/1958 Witt  
 D271,858 S 12/1983 Martin et al.  
 D287,919 S 1/1987 Clements  
 D318,234 S \* 7/1991 Lillelund ..... D9/454  
 D350,046 S \* 8/1994 Zimmerman ..... D7/392  
 D355,846 S 2/1995 Denney et al.  
 D372,866 S 8/1996 Ahern, Jr.  
 D379,928 S 6/1997 Freek et al.  
 D397,938 S 9/1998 Graham et al.  
 D417,845 S 12/1999 Sadlier et al.  
 D437,223 S \* 2/2001 Coy ..... D9/447  
 D450,583 S 11/2001 Freed  
 D465,970 S 11/2002 Dimeo  
 D516,424 S \* 3/2006 Schweigert ..... D9/447  
 D516,910 S \* 3/2006 Bresler ..... D9/447  
 D525,869 S \* 8/2006 Tedford ..... D9/452  
 D559,105 S \* 1/2008 D'Amato ..... D9/454  
 D569,245 S 5/2008 Joshi et al.  
 D570,213 S \* 6/2008 Newman ..... D9/447  
 D588,002 S \* 3/2009 D'Amato ..... D9/447  
 D609,046 S 2/2010 Valderrama et al.  
 D642,915 S \* 8/2011 Swingle ..... D9/440  
 D662,362 S 6/2012 Bickert et al.  
 D663,574 S 7/2012 Shenkal  
 D666,052 S 8/2012 Trombly  
 D666,490 S 9/2012 Leon  
 D676,275 S 2/2013 Chen  
 D677,159 S 3/2013 Sina  
 D677,523 S 3/2013 Blckert et al.  
 D679,940 S 4/2013 Paige et al.  
 D690,988 S 10/2013 Audette  
 D691,414 S 10/2013 Trombly  
 D696,584 S 12/2013 Resnikoff et al.

D697,366 S 1/2014 Kristinik  
 D710,696 S 8/2014 Kwon  
 D727,681 S 4/2015 Osgood et al.  
 D731,240 S 6/2015 Bell et al.  
 D734,092 S 7/2015 Kristinik  
 D734,152 S 7/2015 Hager et al.  
 9,114,920 B1 8/2015 Edelman et al.  
 D753,950 S 4/2016 Feeley et al.  
 D761,104 S \* 7/2016 Buck ..... D9/447  
 D763,620 S 8/2016 Szymanski  
 D763,621 S 8/2016 Szymanski  
 D770,895 S 11/2016 Brown  
 D775,492 S 1/2017 Elias  
 D779,325 S 2/2017 Vigoureux  
 D781,703 S 3/2017 Strachan  
 D786,673 S 5/2017 Moffat  
 D806,469 S 1/2018 Palmer  
 D809,385 S 2/2018 Brinkworth  
 D815,489 S \* 4/2018 Yan ..... D7/396.2  
 D815,890 S 4/2018 Boroski  
 D820,678 S \* 6/2018 Chapman ..... D9/447  
 D827,363 S 9/2018 Matsui  
 D828,085 S 9/2018 Baron et al.  
 D831,482 S 10/2018 Meyers  
 D833,212 S 11/2018 Buck  
 D833,807 S 11/2018 Mebberson  
 D836,433 S 12/2018 Cahalan  
 D845,064 S \* 4/2019 Mulhauser ..... D7/392.1  
 D890,568 S 7/2020 Davis  
 2014/0117016 A1 \* 5/2014 Hodge ..... B65D 47/286  
 220/254.9  
 2014/0299614 A1 \* 10/2014 Mithal ..... B65D 43/0212  
 220/713  
 2016/0198875 A1 \* 7/2016 Mithal ..... B65D 43/0212  
 220/713  
 2018/0042413 A1 \* 2/2018 Althaher ..... A47G 19/2272  
 2018/0206660 A1 \* 7/2018 Heiman ..... A47G 19/2272  
 2019/0039788 A1 \* 2/2019 Chambers ..... B65D 43/0212

OTHER PUBLICATIONS

<https://www.the-complete-package.com/View/Strawless-Sip-Lid-for-PET-Drink-Cups-by-Amhil>, 1 page. Accessed Jul. 25, 2019.

\* cited by examiner

FIG. 1

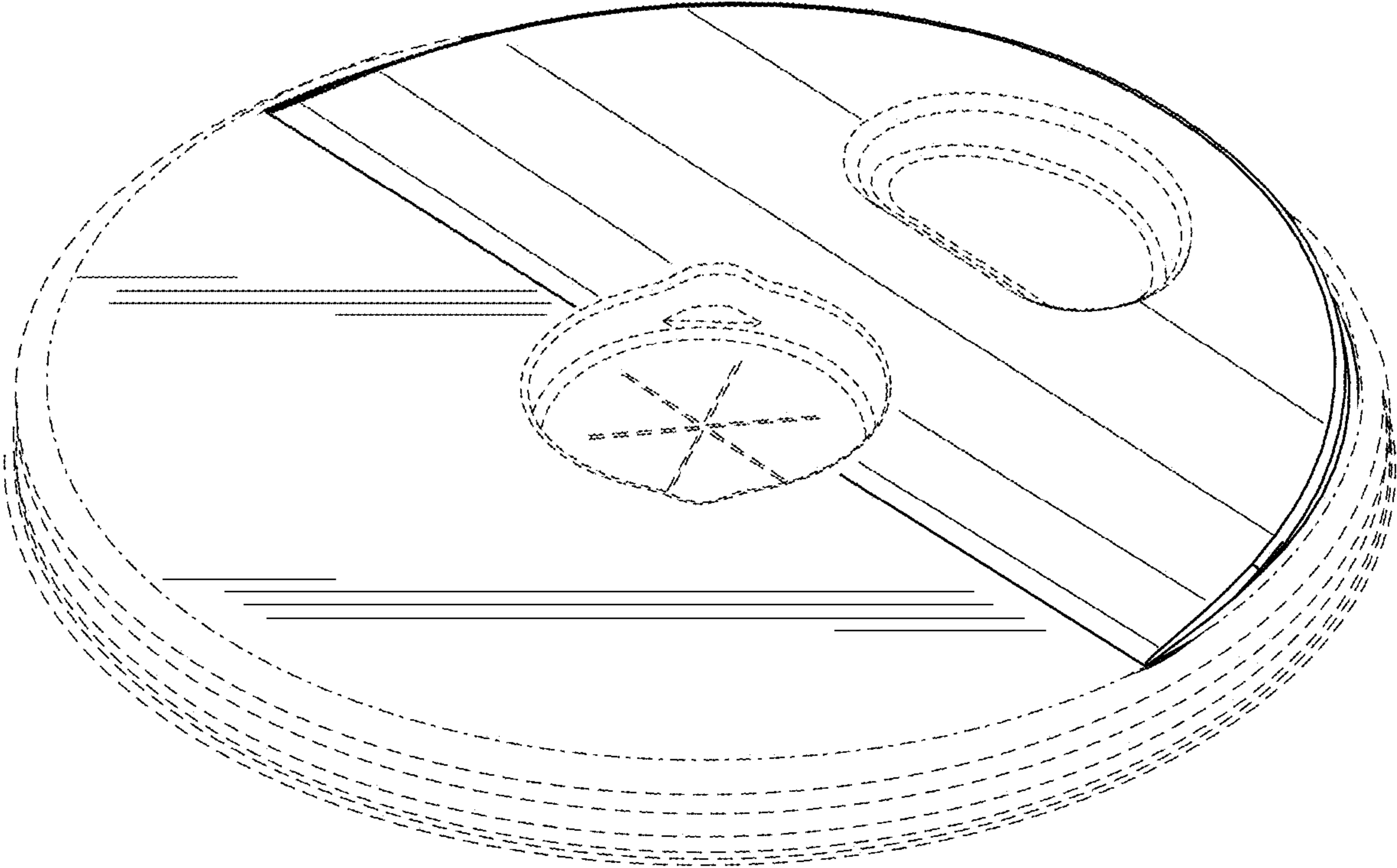
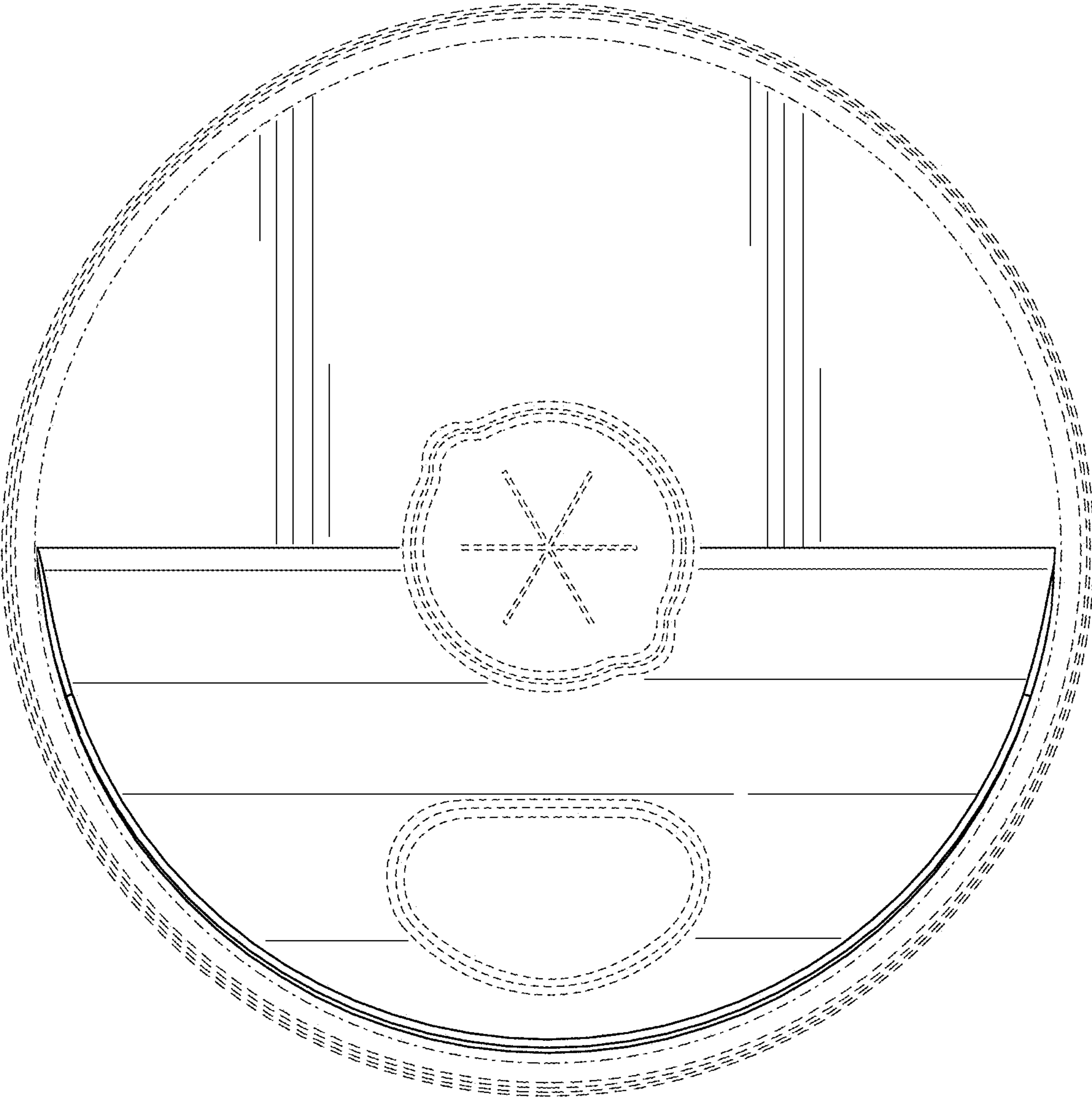
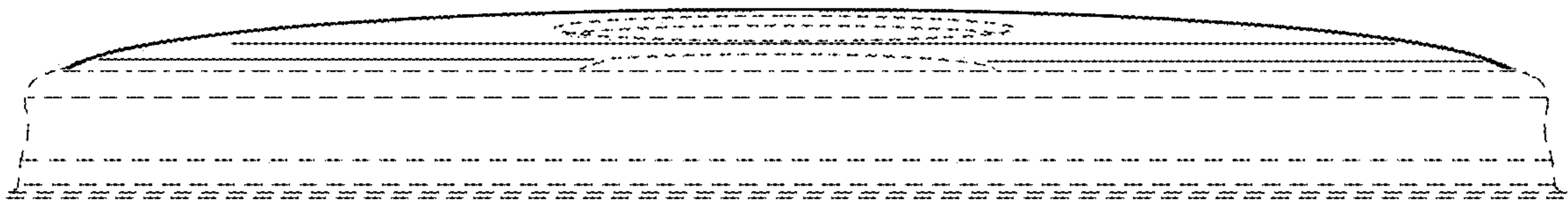


FIG. 2



**FIG. 3**



**FIG. 4**

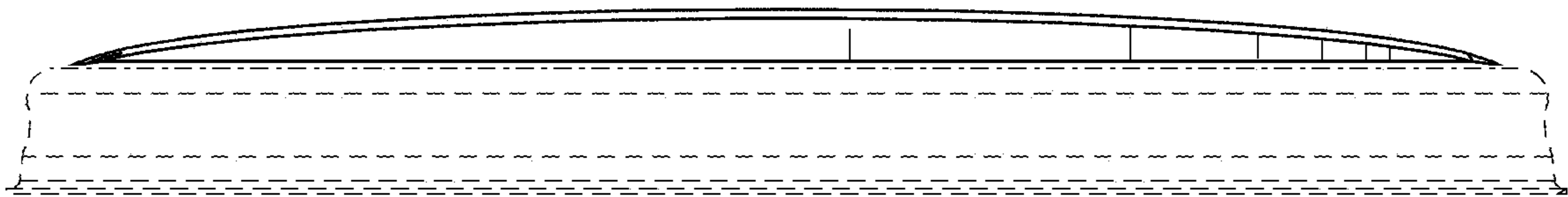


FIG. 5

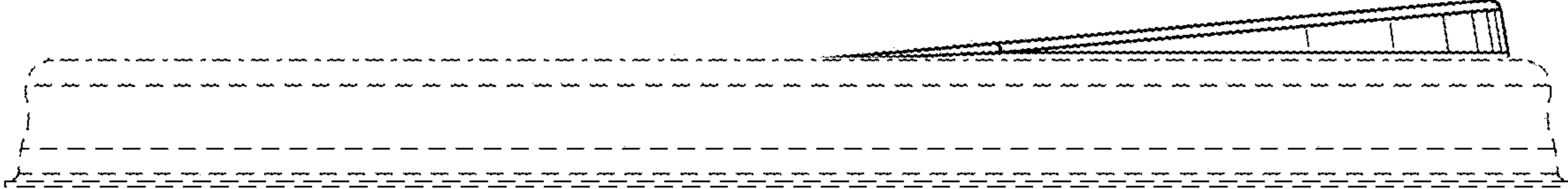


FIG. 6

