



US00D908488S

(12) **United States Design Patent** (10) **Patent No.:** **US D908,488 S**
Pellingra (45) **Date of Patent:** **** Jan. 26, 2021**

(54) **ONE HANDED DISPENSER FOR CONTAINER**

(71) Applicant: **PROAMPAC HOLDINGS INC.,**
Cincinnati, OH (US)

(72) Inventor: **Salvatore J. Pellingra,** Newport, KY
(US)

(73) Assignee: **PROAMPAC HOLDINGS INC.,**
Cincinnati, OH (US)

(**) Term: **15 Years**

(21) Appl. No.: **29/710,319**

(22) Filed: **Oct. 22, 2019**

Related U.S. Application Data

(62) Division of application No. 29/629,843, filed on Dec. 15, 2017, now Pat. No. Des. 876,231.

(51) **LOC (13) Cl.** **09-07**

(52) **U.S. Cl.**
USPC **D9/443; D9/447**

(58) **Field of Classification Search**
USPC D7/392.1, 396.2; D9/434, 435, 440, 447,
D9/449, 499, 443, 702, 703, 705, 708,
D9/709, 711

CPC B05B 7/30; B05B 11/3059; B05B 11/3001
See application file for complete search history.

(56) **References Cited**

U.S. PATENT DOCUMENTS

D24,291 S	5/1895	Somers
D158,307 S	4/1950	Molitor
D272,135 S	1/1984	Hayes
D291,763 S	9/1987	Dunn et al.
D334,888 S	4/1993	Merritt
D374,620 S	10/1996	McQuade et al.
D379,432 S	5/1997	Santini

D380,670 S	7/1997	Blocker
D386,409 S	11/1997	Santini
D412,665 S	8/1999	Smith et al.
D421,221 S	2/2000	O’Kane
D479,985 S	9/2003	Lowance
D512,648 S	12/2005	Smith et al.
D657,259 S	4/2012	Garneau
D676,319 S	2/2013	Wadt
D736,097 S	8/2015	Bailey et al.
D742,227 S	11/2015	Wisniewski et al.

(Continued)

OTHER PUBLICATIONS

Bless This Stuff. Kebo The One-handed Bottle Opener. No date specified. <https://www.blessthisstuff.com/stuff/culture/drinks/kebo-the-one-handed-bottle-opener/> (Year: 0).*

Primary Examiner — Darcey E Gottschalk

(74) *Attorney, Agent, or Firm* — McLane Middleton, Professional Association

(57) **CLAIM**

The ornamental design for a one handed dispenser for container, substantially as shown and described.

DESCRIPTION

FIG. 1 is a front perspective view of a one handed dispenser for container affixed to a pouch in accordance with the present invention;

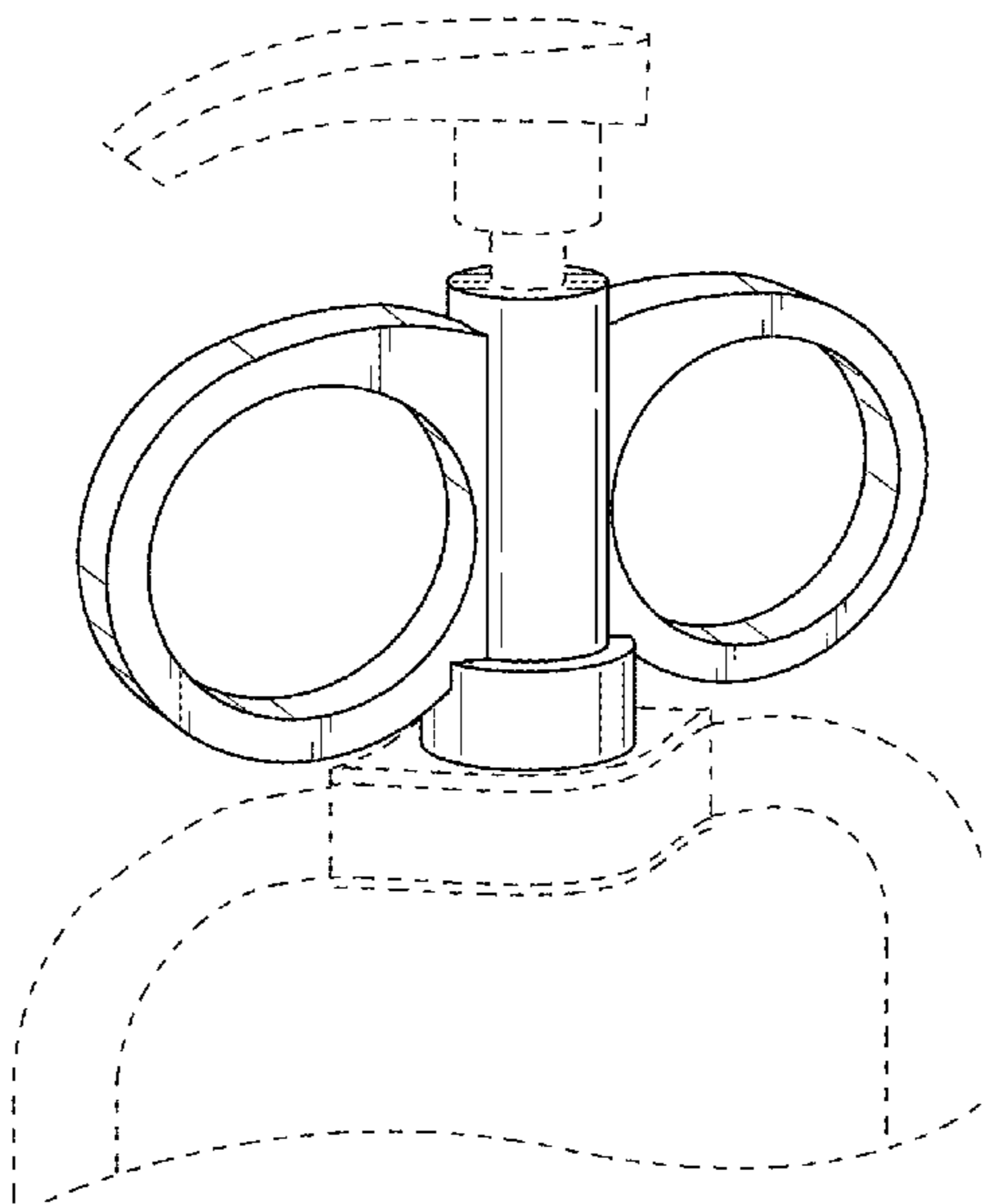
FIG. 2 is a top plan view of the one handed dispenser for container of FIG. 1;

FIG. 3 is a front elevation view of the one handed dispenser for container affixed to a pouch of FIG. 1; and,

FIG. 4 is a right side elevation view of the one handed dispenser for container of FIG. 1.

In the drawings, the broken lines show portions of a one handed dispenser for container that form no part of the claim.

1 Claim, 4 Drawing Sheets



(56)

References Cited

U.S. PATENT DOCUMENTS

D744,831 S 12/2015 Geeting et al.
D819,896 S 6/2018 Bartz
D825,331 S 8/2018 Thwaites et al.
D876,231 S * 2/2020 Pellingra D9/443

* cited by examiner

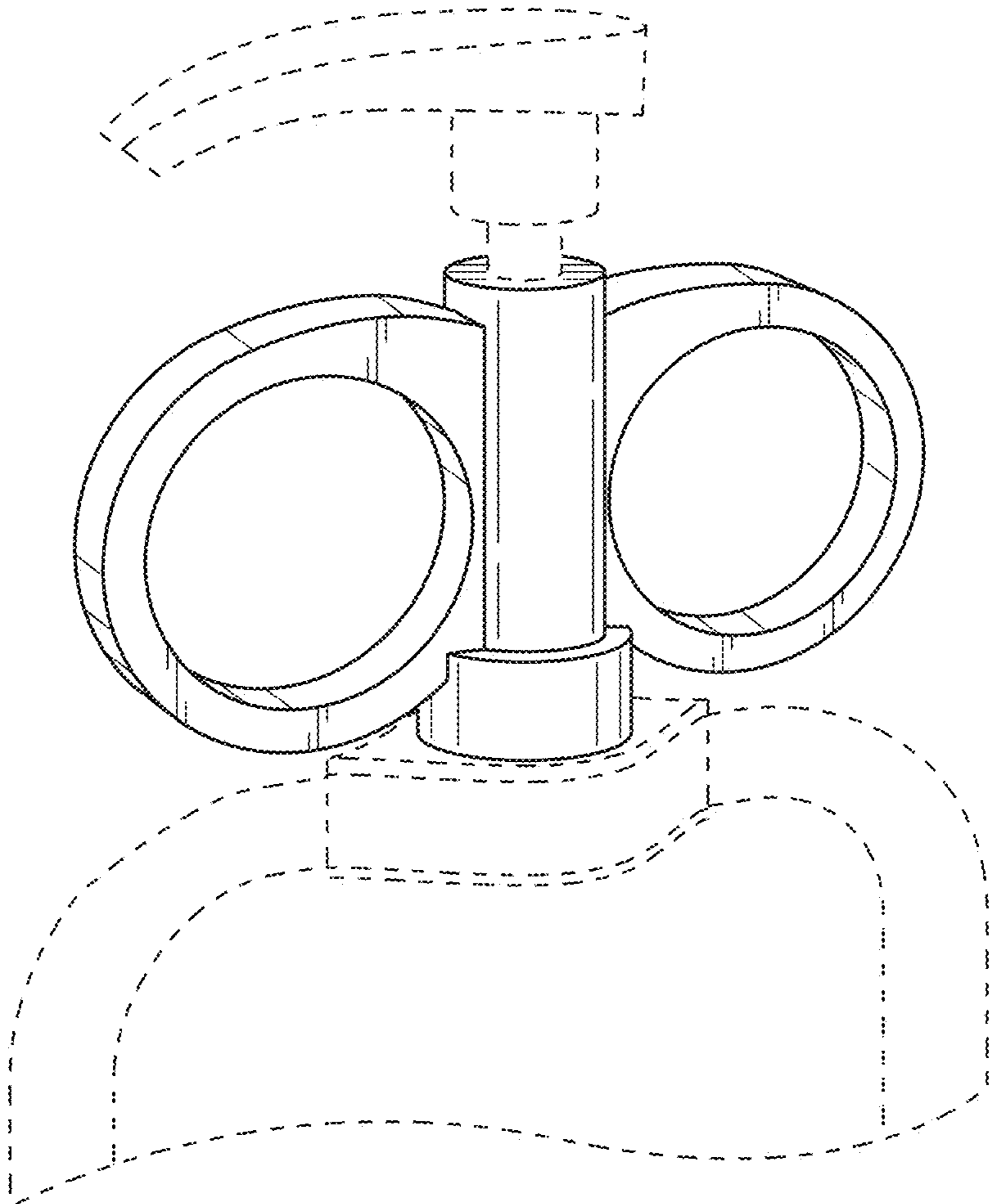


FIG. 1

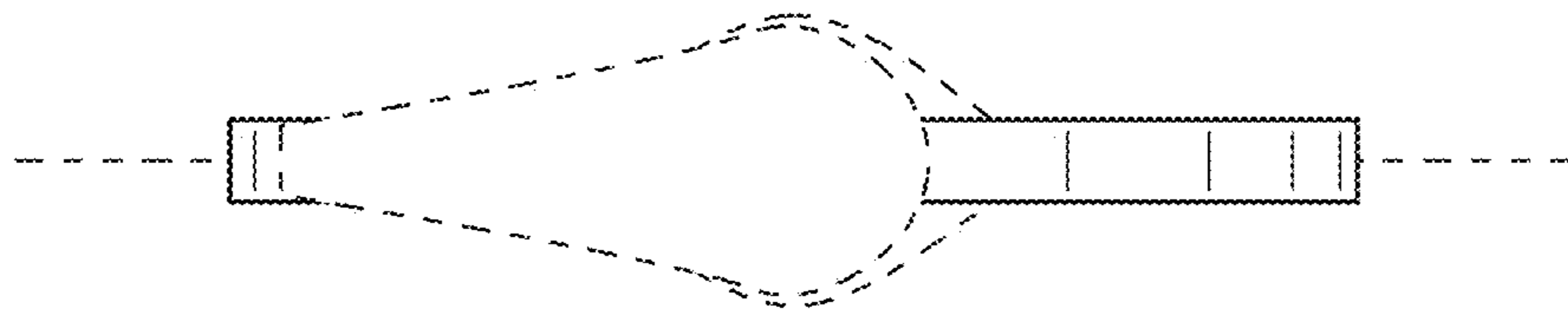


FIG. 2

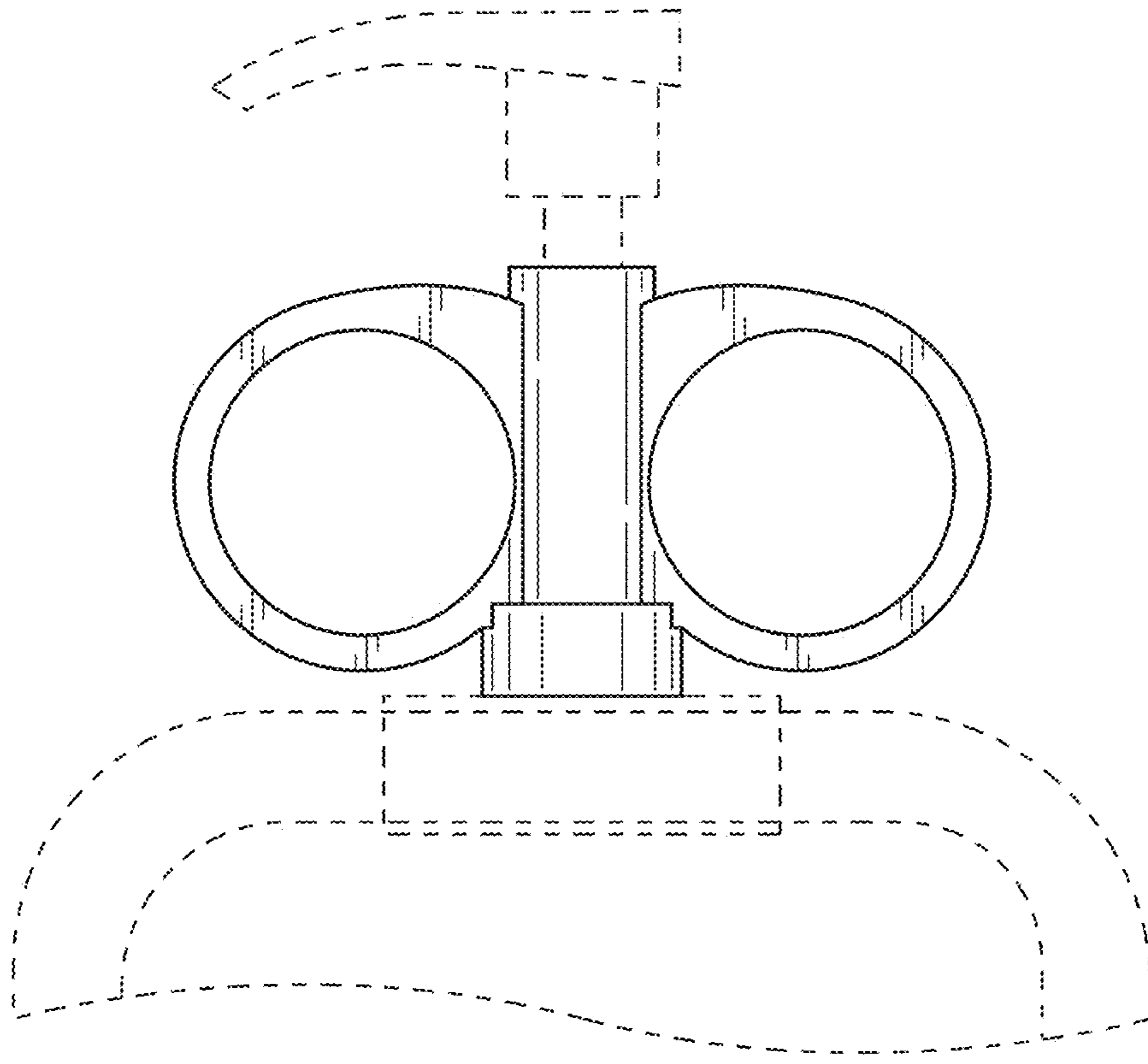


FIG. 3

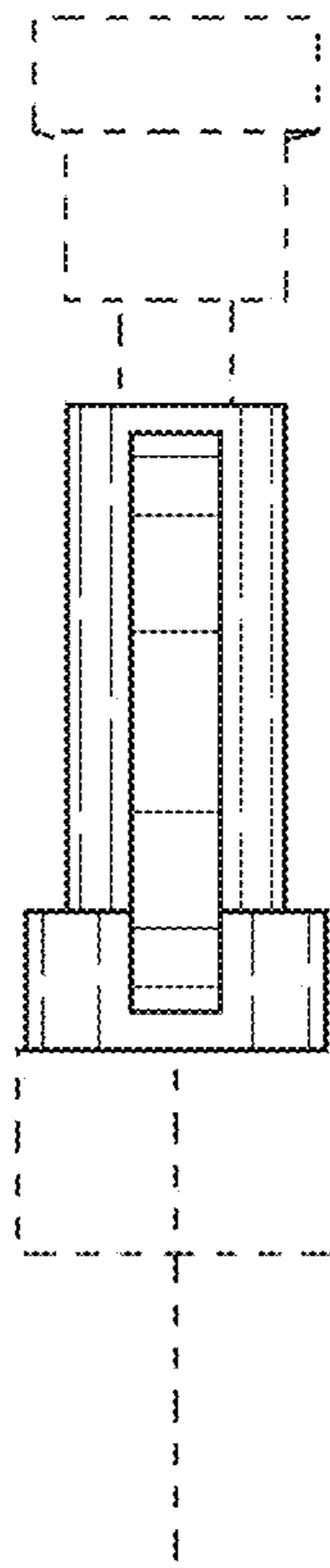


FIG. 4