



US00D908487S

(12) **United States Design Patent**
Xia et al.

(10) **Patent No.:** **US D908,487 S**
(45) **Date of Patent:** **** Jan. 26, 2021**

(54) **BOTTLE LID**

(71) Applicant: **ZHEJIANG FEIJIAN TECHNOLOGY CO., LTD.**, Jinhua (CN)

(72) Inventors: **Feijian Xia**, Yongkang (CN); **Chenhan Ouyang**, Anqing (CN); **Zhibo Xiao**, Shaoyang (CN)

(73) Assignee: **ZHEJIANG FEIJIAN TECHNOLOGY CO., LTD.**, Jinhua (CN)

(**) Term: **15 Years**

(21) Appl. No.: **29/741,331**

(22) Filed: **Jul. 11, 2020**

(51) **LOC (13) Cl.** **09-01**

(52) **U.S. Cl.**
USPC **D9/439; D7/396.2**

(58) **Field of Classification Search**
USPC D3/200, 201, 202, 203.1, 203.2, 318, D3/320; D7/509, 510, 511, 601, 602, D7/624.1, 387, 391, 392, 392.1, 396.1, D7/396.2, 397, 398, 678, 679, 372; D9/428, 434, 435, 436, 439, 440, 443, D9/447, 449, 450, 454, 455
CPC B65D 81/261; B65D 21/0217; B65D 21/0223; B65D 25/04; B65D 25/24; B65D 43/0204; B65D 65/466; B65D 85/30; B65D 85/70; B65D 2543/00092; B65D 2543/00296; B65D 2543/00361; B65D 2543/00416; B65D 2543/00574; B65D 47/122; B65D 47/066; B65D 1/0223; B65D 1/02; A47J 47/145; A47G 19/2211; A47G 19/2216; A47G 19/22; A47G 2019/2238

See application file for complete search history.

(56) **References Cited**

U.S. PATENT DOCUMENTS

D410,389 S * 6/1999 Niedospial, Jr. D24/224
D620,358 S * 7/2010 Jewett D9/454
D639,657 S * 6/2011 Hoyt D9/439
D677,119 S * 3/2013 Ying D7/392.1
D692,605 S * 10/2013 Madonia D26/51
D708,945 S * 7/2014 Jetmar D9/439
D786,012 S * 5/2017 Hein D7/396.2
D805,837 S * 12/2017 Hager D7/392.1
D808,213 S 1/2018 Lown et al.

(Continued)

FOREIGN PATENT DOCUMENTS

RU 00120645 * 7/2020

OTHER PUBLICATIONS

Sterilization Copper Vacuum Bottle: Site Visited [Nov. 21, 2020 (online)]. Available from Internet URL: <https://waterbottles.com/18-oz-uv-sterilization-copper-vacuum-bottle>.*

(Continued)

Primary Examiner — Catherine S Posthauer

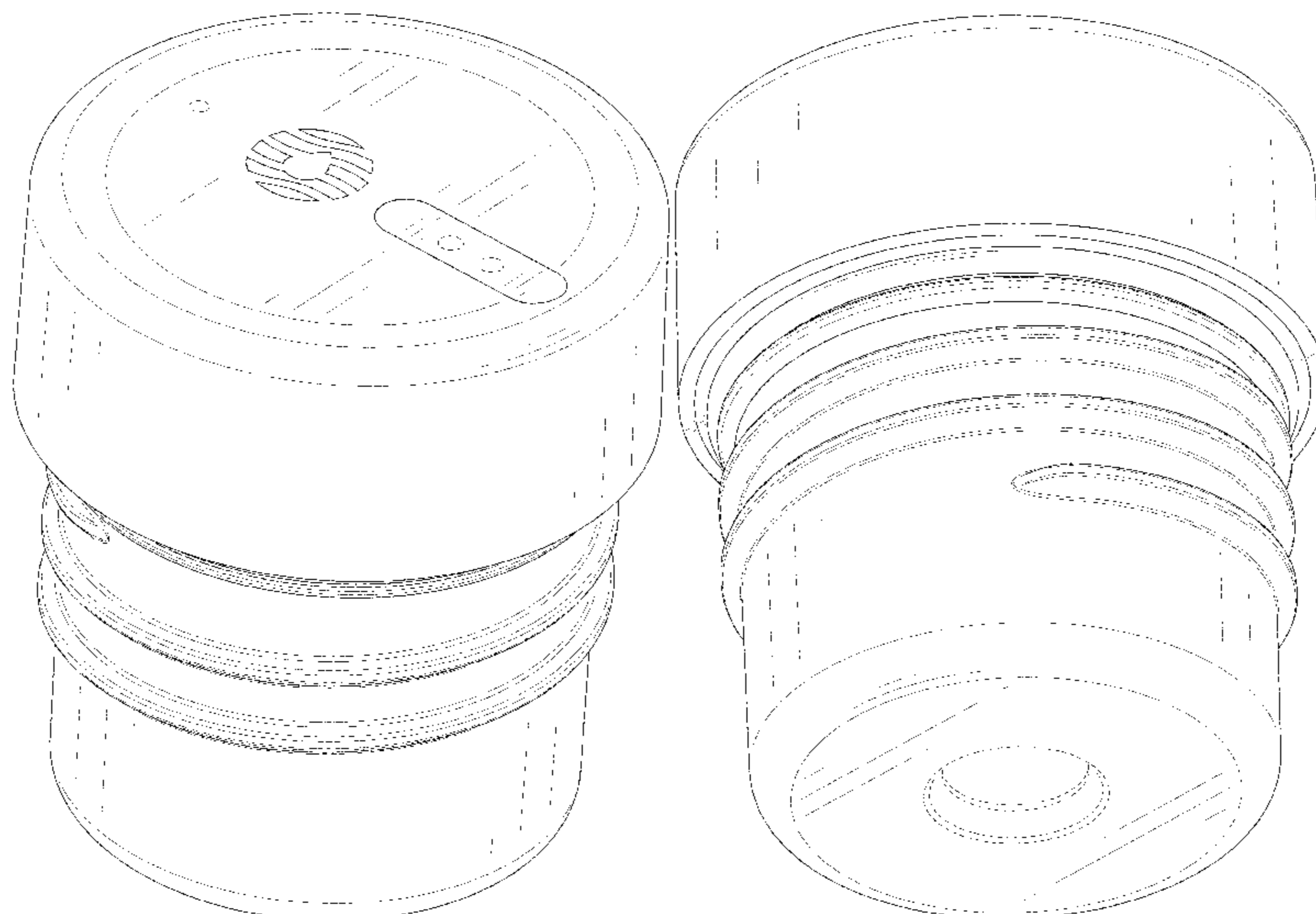
(57) **CLAIM**

The ornamental design for a bottle lid, as shown and described.

DESCRIPTION

FIG. 1 is a perspective view of a bottle lid showing my new design;
FIG. 2 is another perspective view thereof;
FIG. 3 is a front elevational view thereof;
FIG. 4 is a rear elevational view thereof;
FIG. 5 is a left side elevational view thereof;
FIG. 6 is a right side elevational view thereof;
FIG. 7 is a top plan view thereof; and,
FIG. 8 is a bottom plan view thereof.
The broken lines in the drawings depict portions of the bottle lid that form no part of the claimed design.

1 Claim, 8 Drawing Sheets



(56)

References Cited

U.S. PATENT DOCUMENTS

D822,282 S	*	7/2018	Montoli	A45D 33/006 D28/82
D836,389 S	*	12/2018	Abante	D7/392.1
D845,129 S	*	4/2019	Lee	D9/454
D860,716 S	*	9/2019	Abante	D7/392.1
D871,133 S	*	12/2019	Bullock	D7/392.1
D875,524 S	*	2/2020	Holmes	D9/439
D878,147 S		3/2020	Berresheim	
D893,246 S	*	8/2020	Monaghan	D7/396.2
D899,926 S	*	10/2020	Guduru	D9/439

OTHER PUBLICATIONS

Zhejiang Feihan Industries and Trade: Site Visited [Nov. 21, 2020 (online)]. Available from Internet URL: www.cnfeijian.com/product-31214-2.html.*

CrazyCap: Announced [Jul. 10, 2019 (online)]. Site Visited [Nov. 21, 2020]. Available from Internet URL: <https://www.kickstarter.com/projects/1064892678/crazycap-portable-water-sterilization-system>.*

LIZ Smart Bottle with UV Sterilization: Announced [Nov. 21, 2019 (online)]. Site Visited [Nov. 21, 2020]. Available from Internet URL: <https://www.noerden.eu/news/liz-smart-bottle-with-uv-sterilization/>.*

hUVBRITE UV Self-Cleaning and Water-Purifying Bottle: Announced Oct. 10, 2020 (online). Site Visited [Nov. 21, 2020]. Available from Internet URL: <https://www.amazon.com/dp/B08G82J2VN#customerReviews>.*

* cited by examiner

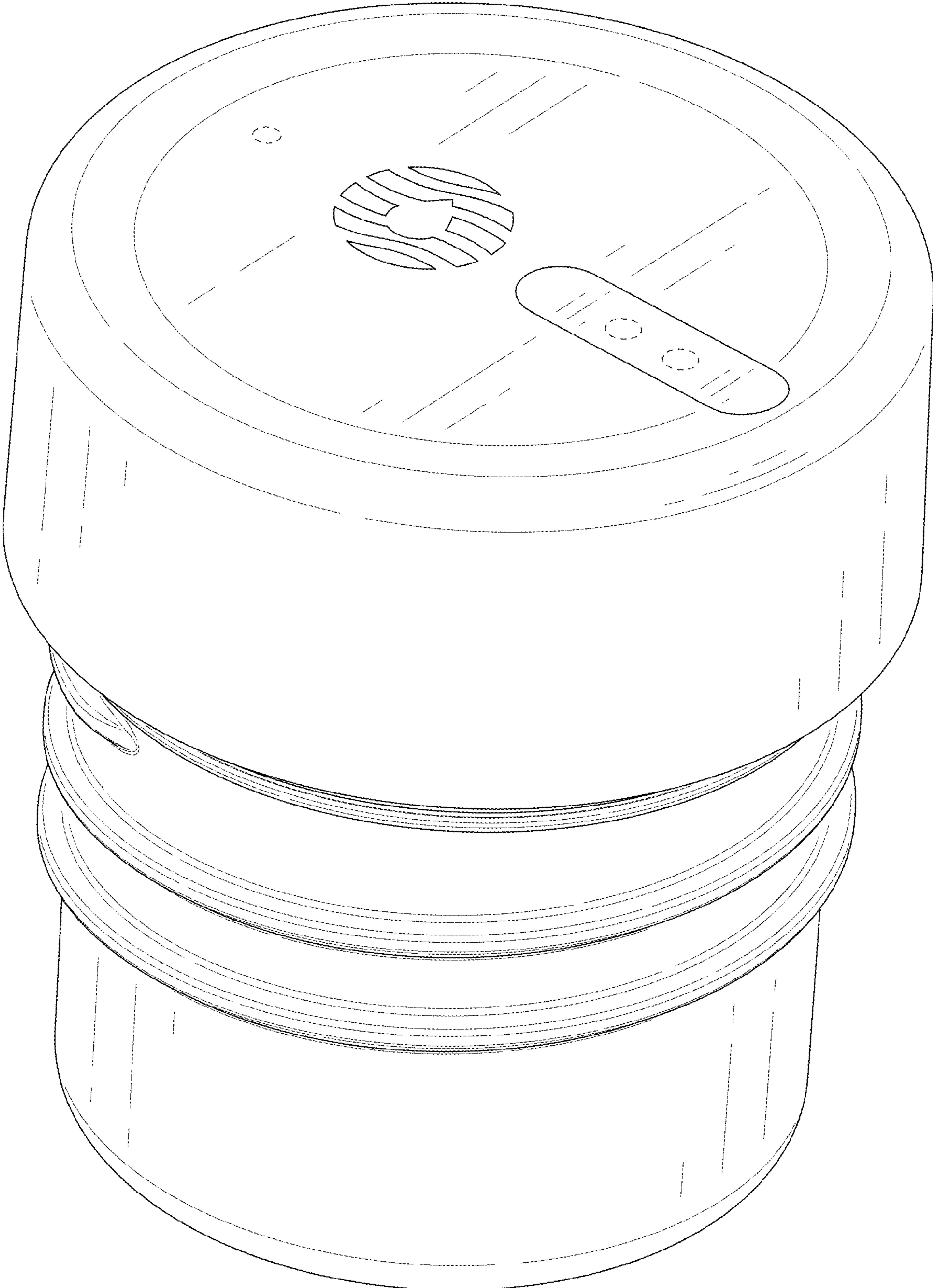


FIG. 1

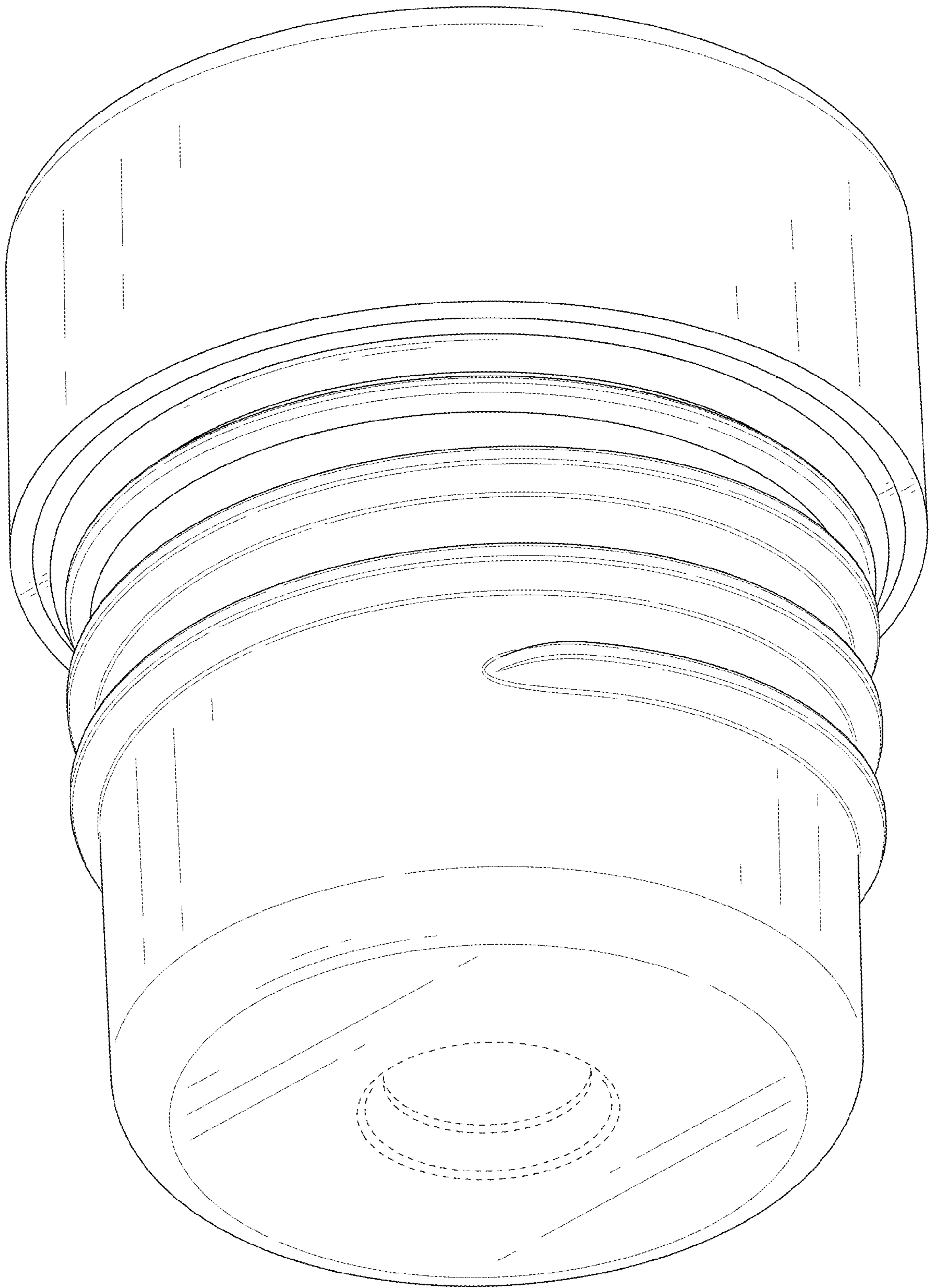


FIG. 2

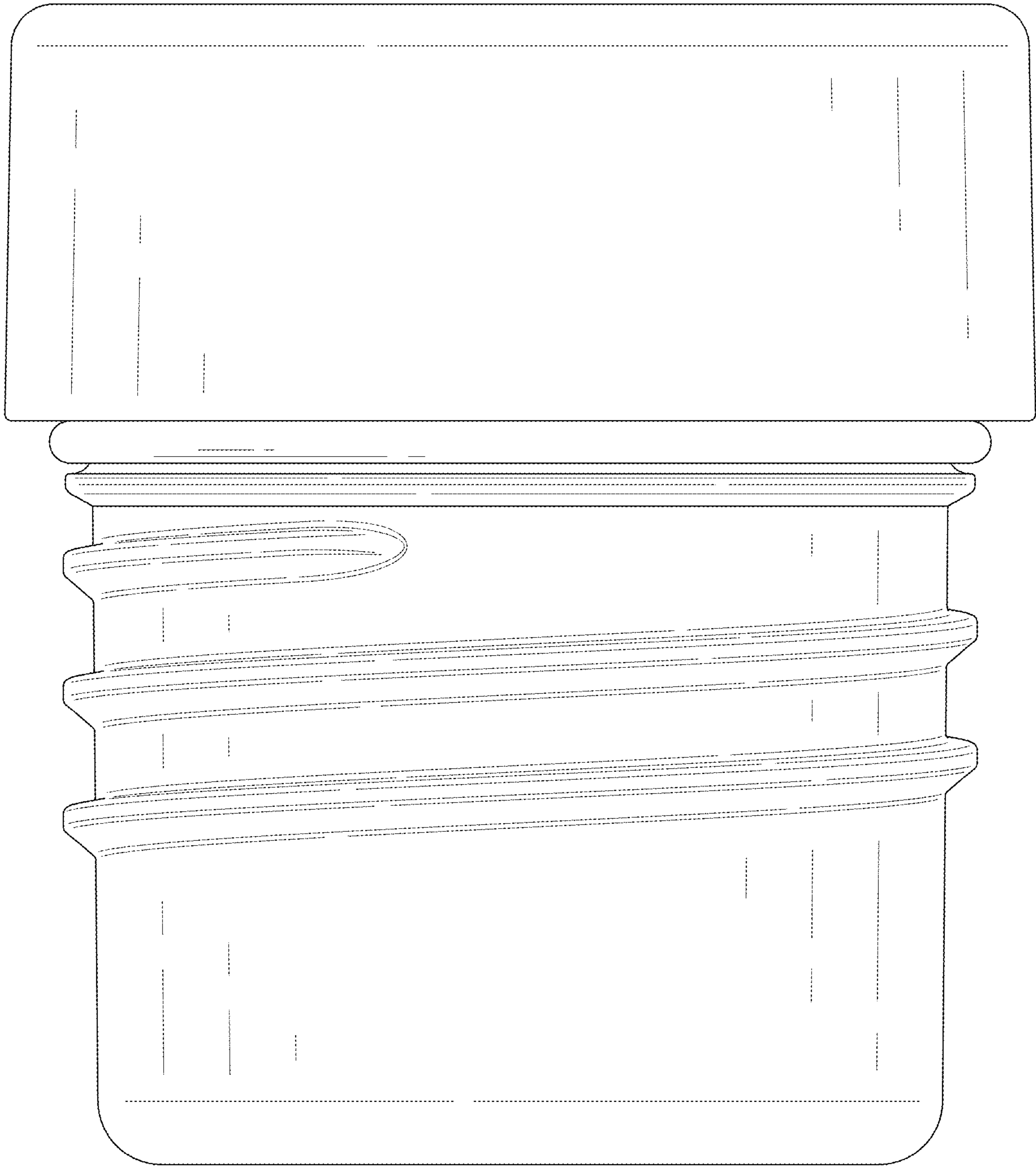


FIG. 3

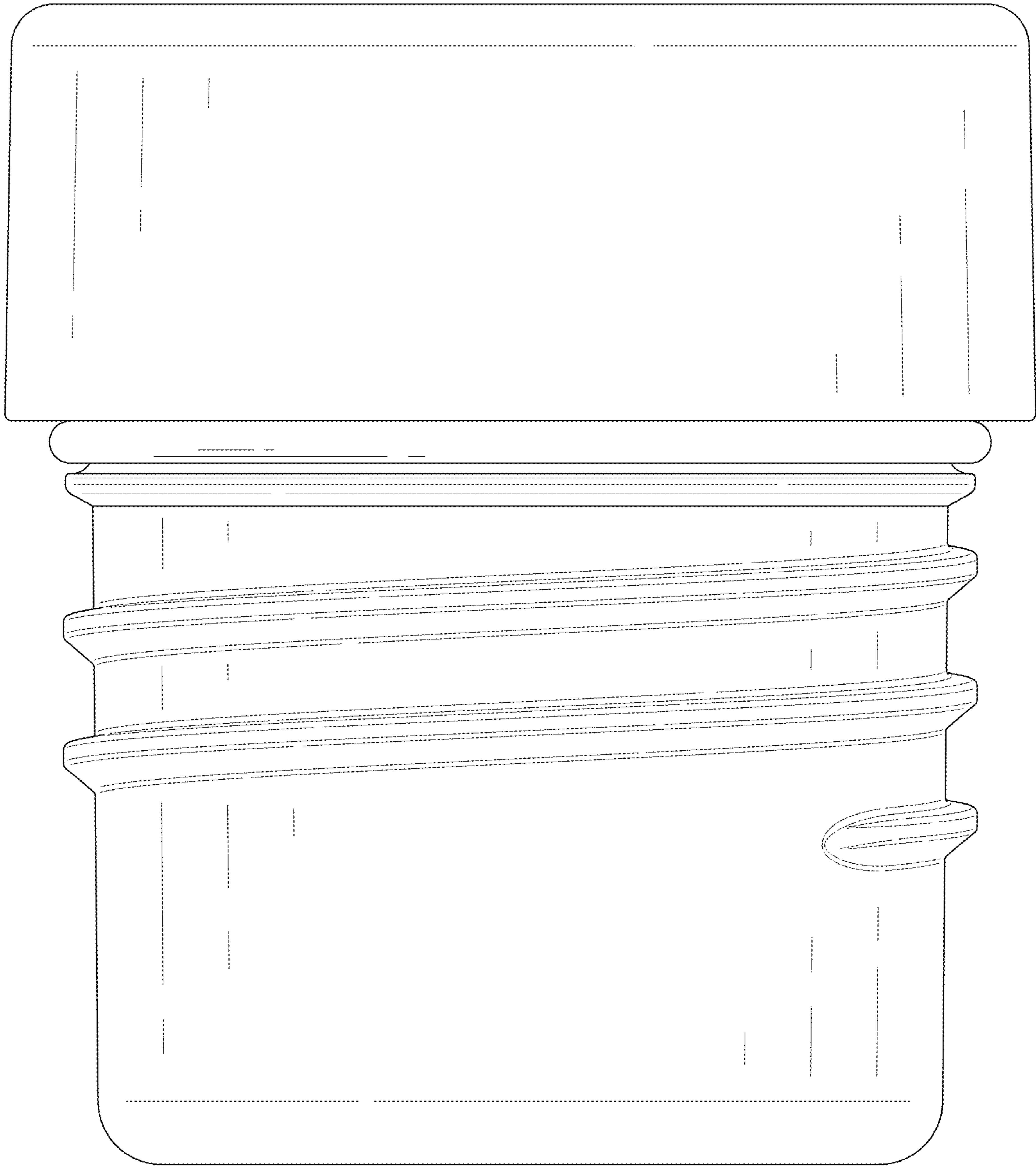


FIG. 4

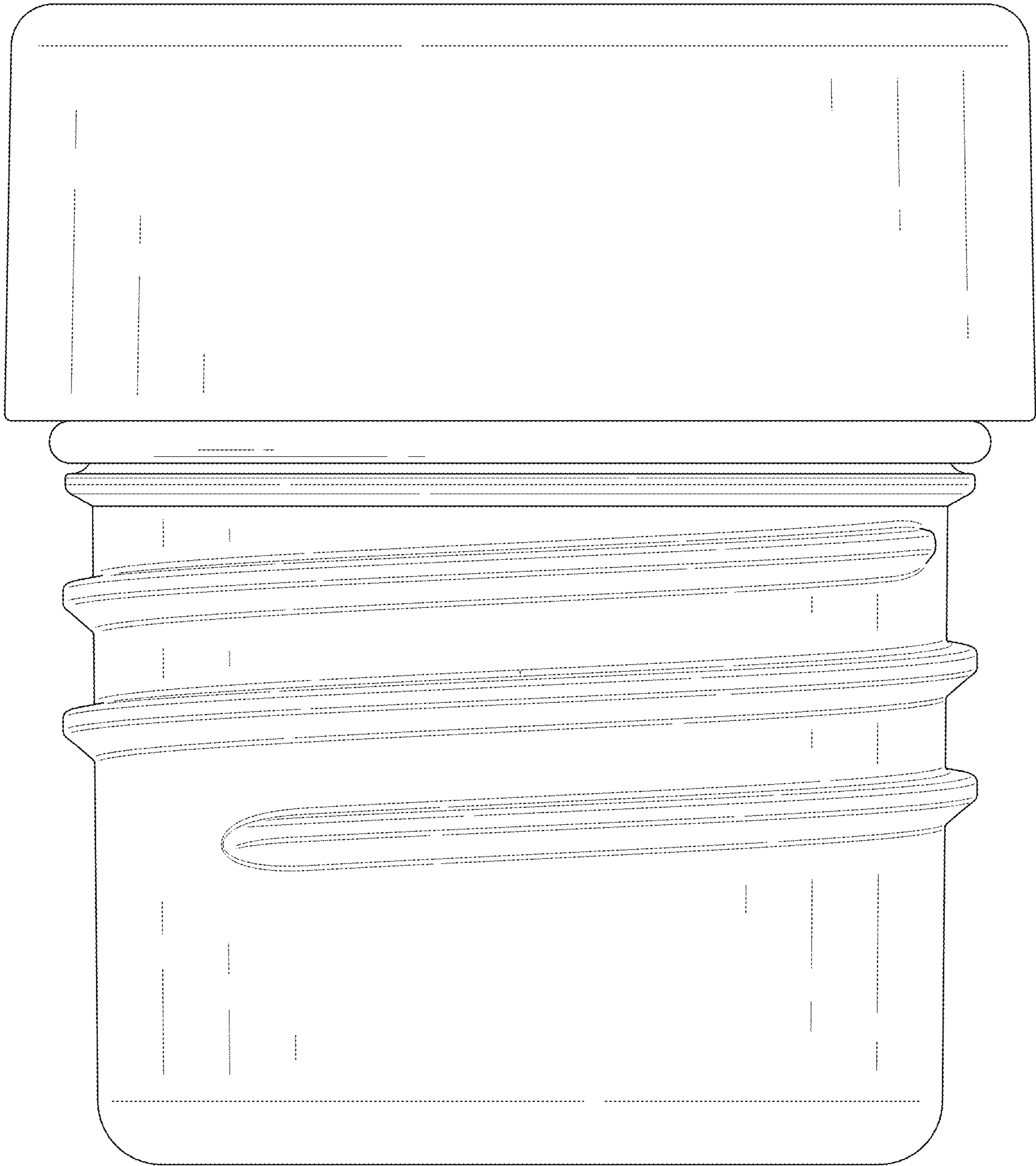


FIG. 5

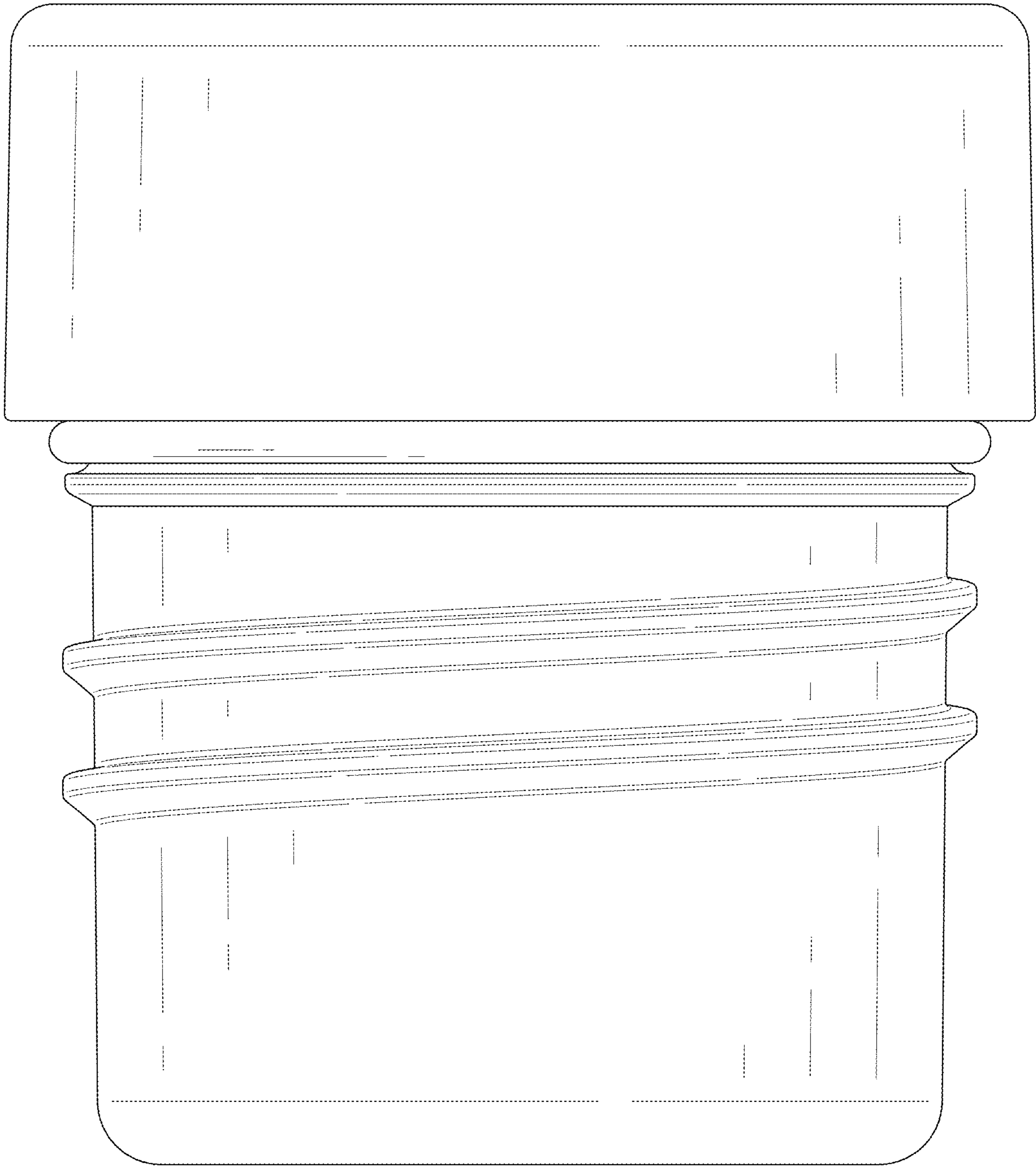


FIG. 6

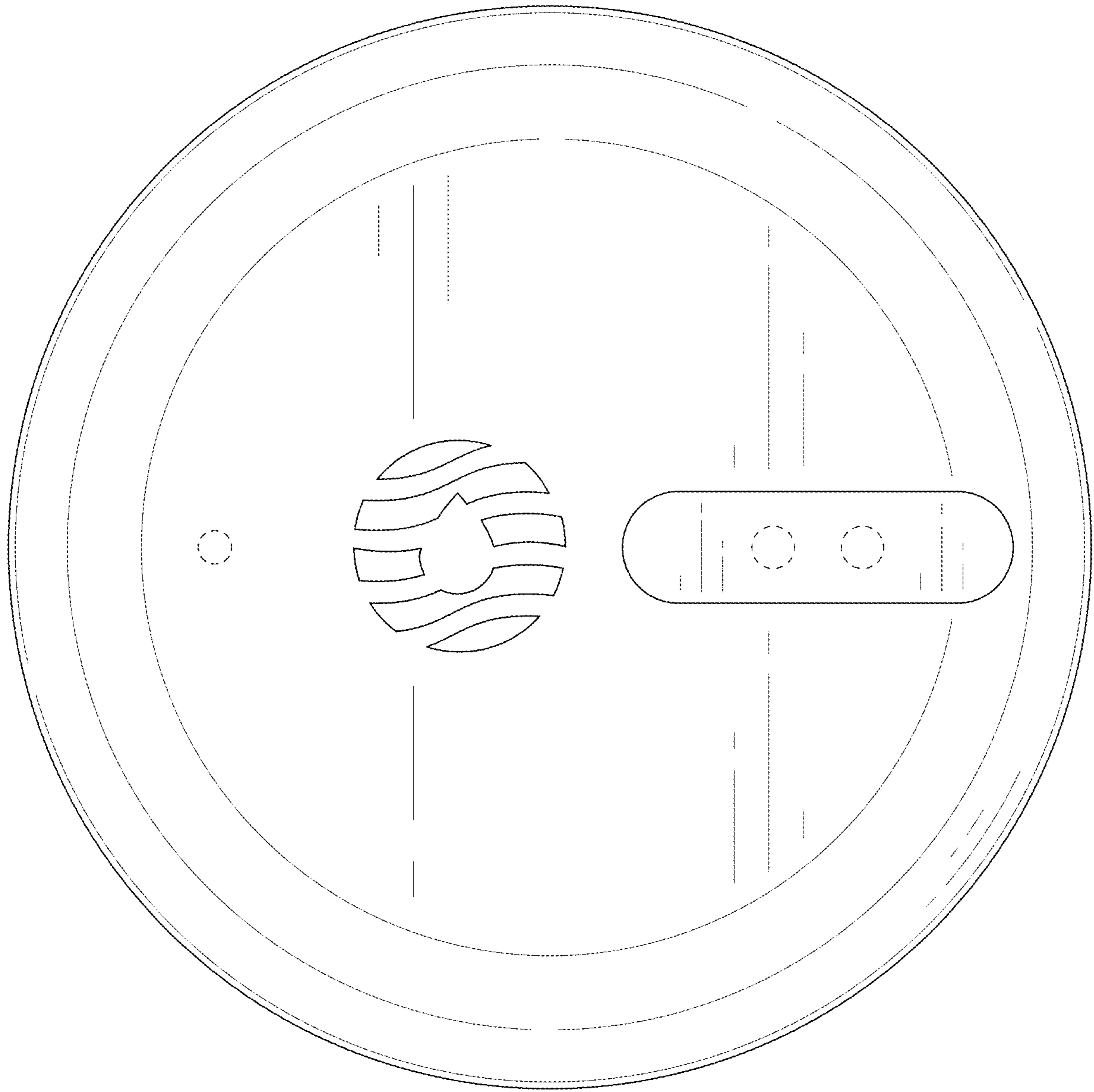


FIG. 7

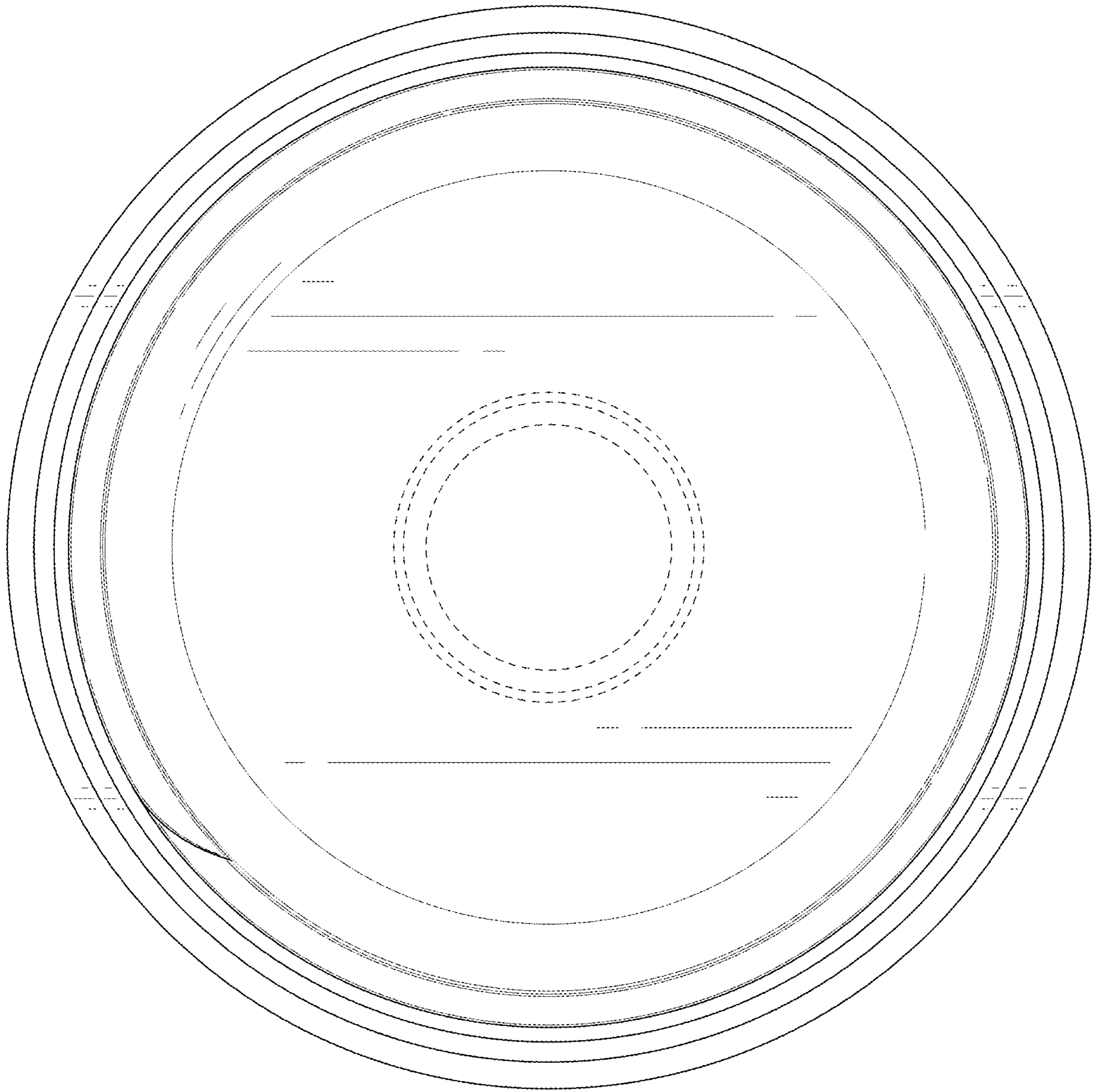


FIG. 8