



US00D908486S

(12) **United States Design Patent** (10) **Patent No.:** **US D908,486 S**  
**Marantis et al.** (45) **Date of Patent:** **\*\* Jan. 26, 2021**

(54) **STOPPER FOR BOTTLE**

(71) Applicant: **CORNERSTONE CM, INC.**, Poland, OH (US)

(72) Inventors: **Michael G. Marantis**, Poland, OH (US); **Richard A. Ponton**, New Milford, CT (US); **Joshua W. Hubbard**, New Milford, CT (US); **Jonathan P. Richards**, Derby, CT (US)

(73) Assignee: **CORNERSTONE CM, INC.**, Poland, OH (US)

(\*\*) Term: **15 Years**

(21) Appl. No.: **29/700,104**

(22) Filed: **Jul. 31, 2019**

**Related U.S. Application Data**

(63) Continuation of application No. 29/625,282, filed on Nov. 8, 2017, now Pat. No. Des. 859,986, which is a (Continued)

(51) **LOC (13) Cl.** ..... **09-07**

(52) **U.S. Cl.**  
USPC ..... **D9/439**

(58) **Field of Classification Search**

USPC ..... D9/417, 424, 428, 434, 435, 436, 439, D9/440, 447, 448, 454, 455, 456, 500, D9/502-504, 516, 519, 529, 549, 558, D9/715; D23/207-209, 233-237, 249, D23/259.2, 262-266, 268, 269; D24/121, D24/127, 129, 194, 196; D21/386, 710; D11/222; D13/133, 154, 171; D10/108, D10/116.1; D8/397, 399; D32/32, 33; D3/203.2  
CPC ..... B65C 11/02; B65B 31/00; B65B 7/28; A61M 1/0003; A61M 1/0011; A61J 1/1418; A61J 1/14; A61J 1/1412; B65D 81/2038; B65D 81/20; B65D 85/804; B65D 25/082; B65D 1/00; B65D 1/10;

B65D 23/00; B65D 81/3211; B65D 2501/00; B65D 2501/0009; B65D 43/0231; B65D 53/02; F16L 11/00; F16L 25/01; F16L 17/10; A47J 31/407; A47J 31/00; B67D 3/0019; A23L 2/56; A01G 31/02; A01G 9/0293

See application file for complete search history.

(56) **References Cited**

**U.S. PATENT DOCUMENTS**

1,189,465 A 7/1916 Mayo  
2,276,421 A 3/1942 Colin  
(Continued)

**OTHER PUBLICATIONS**

Rubber Stopper: Announced Jul. 8, 2017 [online]. Site Visited [Sep. 23, 2020]. Available from Internet URL: <https://opsdiagnostics.com/13-mm-Rubber-Stopper-Split-p550.html>.\*

(Continued)

*Primary Examiner* — Catherine S Posthauer

(74) *Attorney, Agent, or Firm* — Tucker Ellis LLP

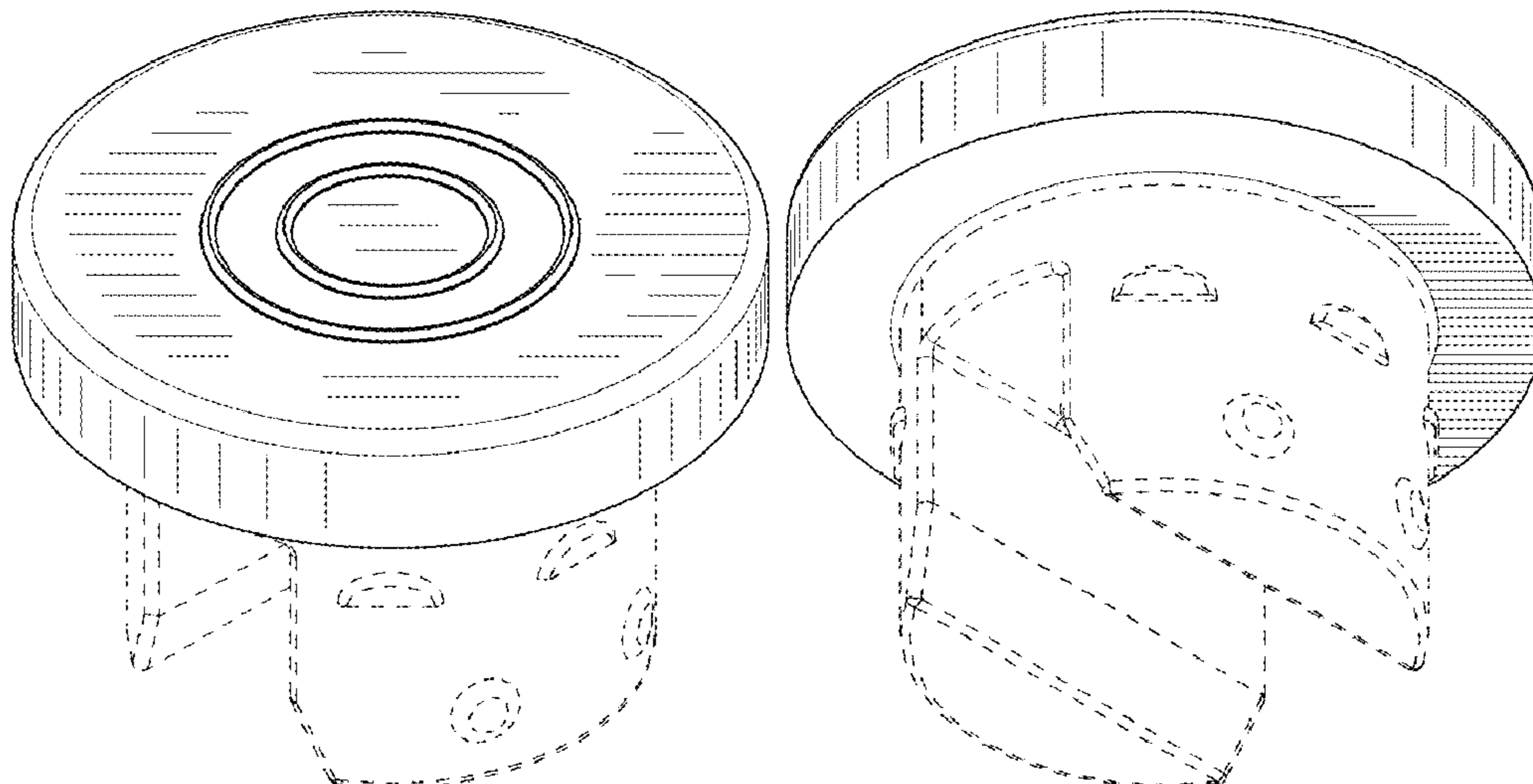
(57) **CLAIM**

The ornamental design for a stopper for bottle, as shown and described.

**DESCRIPTION**

FIG. 1 is a top perspective view of a stopper for bottle showing our new design;  
FIG. 2 is a bottom perspective view thereof;  
FIG. 3 is a left side view thereof, the right side being a mirror image thereof; and,  
FIG. 4 is a front view thereof, the rear view being a mirror image thereof.  
The broken lines are shown for the purpose of illustrating parts of the stopper for bottle that form no part of the claimed design.

**1 Claim, 1 Drawing Sheet**



**Related U.S. Application Data**

continuation of application No. 29/570,107, filed on Jul. 5, 2016, now Pat. No. Des. 805,899, which is a continuation of application No. 14/540,477, filed on Nov. 13, 2014, now Pat. No. 9,517,922, and a continuation-in-part of application No. 29/509,028, filed on Nov. 13, 2014, now Pat. No. Des. 763,691.

(52) **U.S. Cl.**

CPC ..... **B65D 81/2038** (2013.01); **A61J 1/14** (2013.01); **A61J 1/1406** (2013.01); **A61J 1/1412** (2013.01); **A61J 1/1418** (2015.05); **A61M 1/0001**(2013.01); **A61M 1/0003** (2013.01); **A61M1/0011** (2013.01); **B65B 31/00** (2013.01); **B65B 55/10** (2013.01); **B65D 81/20** (2013.01); **B67C11/02** (2013.01); **B67C 2011/20** (2013.01)

(56)

**References Cited**

U.S. PATENT DOCUMENTS

D148,078 S 12/1947 Lelong  
 2,911,123 A 11/1959 Saccomanno  
 3,088,615 A 5/1963 Wheaton  
 D217,580 S 6/1970 Nelson et al.  
 D217,850 S 6/1970 Nelson  
 D225,725 S 1/1973 Pettingill  
 3,965,902 A 6/1976 Kelly  
 3,985,902 A 6/1976 Reilly et al.  
 4,376,439 A 3/1983 Lauterjung  
 D328,033 S \* 7/1992 DiGuseppi ..... D9/435  
 5,186,358 A 2/1993 McVay  
 5,188,622 A 2/1993 Muller  
 D349,648 S \* 8/1994 Tirrell ..... D9/439  
 D359,683 S \* 6/1995 Beach ..... D9/434  
 D362,188 S 9/1995 Van Dyk  
 D374,376 S 10/1996 Goins  
 D375,264 S 11/1996 Galarza  
 D400,429 S \* 11/1998 Morita ..... D8/382  
 5,845,797 A 12/1998 Sudo  
 5,895,383 A 4/1999 Niedoispial, Jr.  
 5,902,298 A 5/1999 Niedoispial, Jr.  
 5,921,419 A 7/1999 Niedoispial, Jr.  
 5,960,837 A 10/1999 Cude  
 5,971,181 A 10/1999 Niedoispial, Jr.  
 D428,339 S 7/2000 Johnston et al.  
 D448,812 S \* 10/2001 Vong ..... D21/386  
 D472,471 S 4/2003 McClure  
 D480,632 S 10/2003 Williams  
 D480,639 S 10/2003 Ciavarella  
 D480,959 S 10/2003 Dewood  
 D489,992 S 5/2004 Brauner  
 D513,384 S 1/2006 Perry  
 6,981,602 B2 1/2006 Ma  
 D520,363 S 5/2006 Perez  
 7,048,724 B2 5/2006 Grossman  
 D528,192 S 9/2006 Nicholson  
 7,153,294 B1 12/2006 Farrow  
 7,178,683 B2 2/2007 Birkmayer  
 D553,717 S 10/2007 Nicholson  
 D564,879 S 3/2008 Baughman  
 D587,580 S 3/2009 Kane  
 D604,120 S \* 11/2009 Curtin ..... D7/629  
 D613,166 S 4/2010 Bentley  
 D619,003 S 7/2010 Benoit-Gonin  
 D619,004 S 7/2010 Fallat  
 D620,362 S 7/2010 Boukobza  
 D620,758 S 8/2010 Smiedt et al.  
 7,799,009 B2 9/2010 Niedoispial, Jr.  
 7,874,441 B2 1/2011 Bloom  
 D632,958 S 2/2011 Fuchs  
 D634,200 S 3/2011 Taber  
 D634,633 S 3/2011 Moreau

D642,471 S 8/2011 White et al.  
 D644,104 S \* 8/2011 Maeda ..... D9/439  
 D645,351 S 9/2011 McMillan et al.  
 D646,762 S \* 10/2011 Terry ..... D23/259  
 D673,852 S 1/2013 Wood  
 D673,854 S 1/2013 James  
 D679,169 S 4/2013 Else  
 D679,170 S 4/2013 Else  
 D680,369 S 4/2013 Starks  
 D682,610 S 5/2013 Carder  
 D682,700 S 5/2013 White et al.  
 D686,339 S \* 7/2013 Shima ..... D24/224  
 8,495,854 B2 7/2013 Seidita  
 D688,128 S 8/2013 Krause  
 D688,129 S 8/2013 Krause  
 D688,945 S \* 9/2013 Kim ..... D9/452  
 D694,110 S 11/2013 Tanner  
 D700,473 S \* 3/2014 Duvigneau ..... D7/391  
 D701,459 S \* 3/2014 Ghosh ..... D9/435  
 8,695,821 B2 4/2014 Bashyam  
 D708,945 S \* 7/2014 Jetmar ..... D9/439  
 D716,653 S 11/2014 Balembois  
 D723,370 S 3/2015 Medlin  
 D723,919 S 3/2015 Taber  
 D727,152 S 4/2015 Yaseen  
 D729,063 S \* 5/2015 Koop ..... D9/439  
 D731,312 S \* 6/2015 Shimizu ..... D9/439  
 D733,493 S \* 7/2015 Barberi ..... D7/393  
 D736,625 S 8/2015 Laureano  
 D736,646 S 8/2015 Andersson et al.  
 D740,120 S 10/2015 El Ghouyel  
 D746,687 S 1/2016 Yourist  
 D763,090 S 8/2016 Zeng et al.  
 D763,091 S 8/2016 Zeng et al.  
 D763,685 S 8/2016 Arriaga  
 D764,920 S 8/2016 Marantis et al.  
 D766,844 S \* 9/2016 Turksu ..... D13/168  
 D768,489 S 10/2016 Indruk  
 D803,045 S 11/2017 Ploeger  
 D803,046 S 11/2017 Ploeger  
 D803,048 S 11/2017 Ploeger  
 D803,049 S 11/2017 Ploeger  
 D804,945 S 12/2017 Ploeger  
 D805,899 S \* 12/2017 Marantis ..... A61J 1/1406  
 D9/439  
 D812,577 S \* 3/2018 Turksu ..... D13/168  
 D859,986 S \* 9/2019 Marantis ..... D9/439  
 D865,685 S \* 11/2019 Adenau ..... D13/174  
 2003/0208165 A1 11/2003 Christensen  
 2004/0156915 A1 \* 8/2004 Harman ..... A61K 9/122  
 424/600  
 2006/0000793 A1 1/2006 Mavin  
 2008/0190948 A1 8/2008 Sayasithsena  
 2010/0270260 A1 10/2010 Jung  
 2011/0114593 A1 5/2011 Ishii  
 2013/0270143 A1 10/2013 Muscato  
 2016/0054049 A1 \* 2/2016 Harvie ..... B65D 1/34  
 426/383  
 2016/0136048 A1 5/2016 Marantis  
 2016/0137474 A1 5/2016 Marantis  
 2016/0338912 A1 \* 11/2016 Oberlin ..... B65D 47/2031  
 2018/0086543 A1 \* 3/2018 Van Why ..... B65D 83/0022

**OTHER PUBLICATIONS**

Rubber Stopper: Site Visited [Sep. 23, 2020]. Available from Internet URL: [http://www.naf-vsm.com/media/catalog/product/cache/1/image/800x600/9df78eab33525d08d6e5fb8d27136e95/6/9/699.2000013000.3i000\\_freeze\\_drying\\_stopper\\_20\\_mm\\_2\\_200518.jpg](http://www.naf-vsm.com/media/catalog/product/cache/1/image/800x600/9df78eab33525d08d6e5fb8d27136e95/6/9/699.2000013000.3i000_freeze_drying_stopper_20_mm_2_200518.jpg).\*  
 Grey Pharmaceutical Rubber Stoppers: Site Visited [Sep. 23, 2020]. Available from Internet URL: <https://www.tubevial.com/sale-11435238-20-d2-grey-pharmaceutical-rubber-stoppers-for-freeze-drying-glass-vials.html>.\*  
 Sealing Solutions for Vials: Site Visited [Sep. 23, 2020]. Available from Internet URL: <https://datwyler.com/healthcare-solutions/healthcare/applications/vials>.\*

(56)

**References Cited**

OTHER PUBLICATIONS

Bottle Stopper: Site Visited [Sep. 23, 2020]. Available from Internet URL: <https://www.westpharma.com/products/vial-containment-solutions/stoppers/404040-formulation>.\*

Clear Glass Lamp Bulb Shape Bottle with Screw Cap Tin Lid, posted on alibaba.com, no posted date given, no production date given, [online], [site visited Dec. 30, 2016]. Available from Internet, URL: [https://www.alibaba.com/product-detail/clear-glass-lamp-bulb-shape-bottle\\_60183128242.html](https://www.alibaba.com/product-detail/clear-glass-lamp-bulb-shape-bottle_60183128242.html).

Tinksky, 400ml Tea Water Cup Bottle—Light Bulk Shaped, post on amazon.com, no posted date given, no production date given, [online], [site visited Dec. 30, 2016], Available from internet, <URL: <https://www.amazon.com/Tinksky-400ML-Tea-Water-Bottle/dp/B01FDA7C7K>>.

Bobble Active Filtering Water Bottle Hands-On, posted on gadgetmac.com, posted Sep. 1, 2012, no production date given, [online], [site visited Dec. 30, 2016], Available from internet, <URL: <http://gadgetmac.com/alt/bobble-active-filtering-water-bottle-hands-on.html>>.

\* cited by examiner

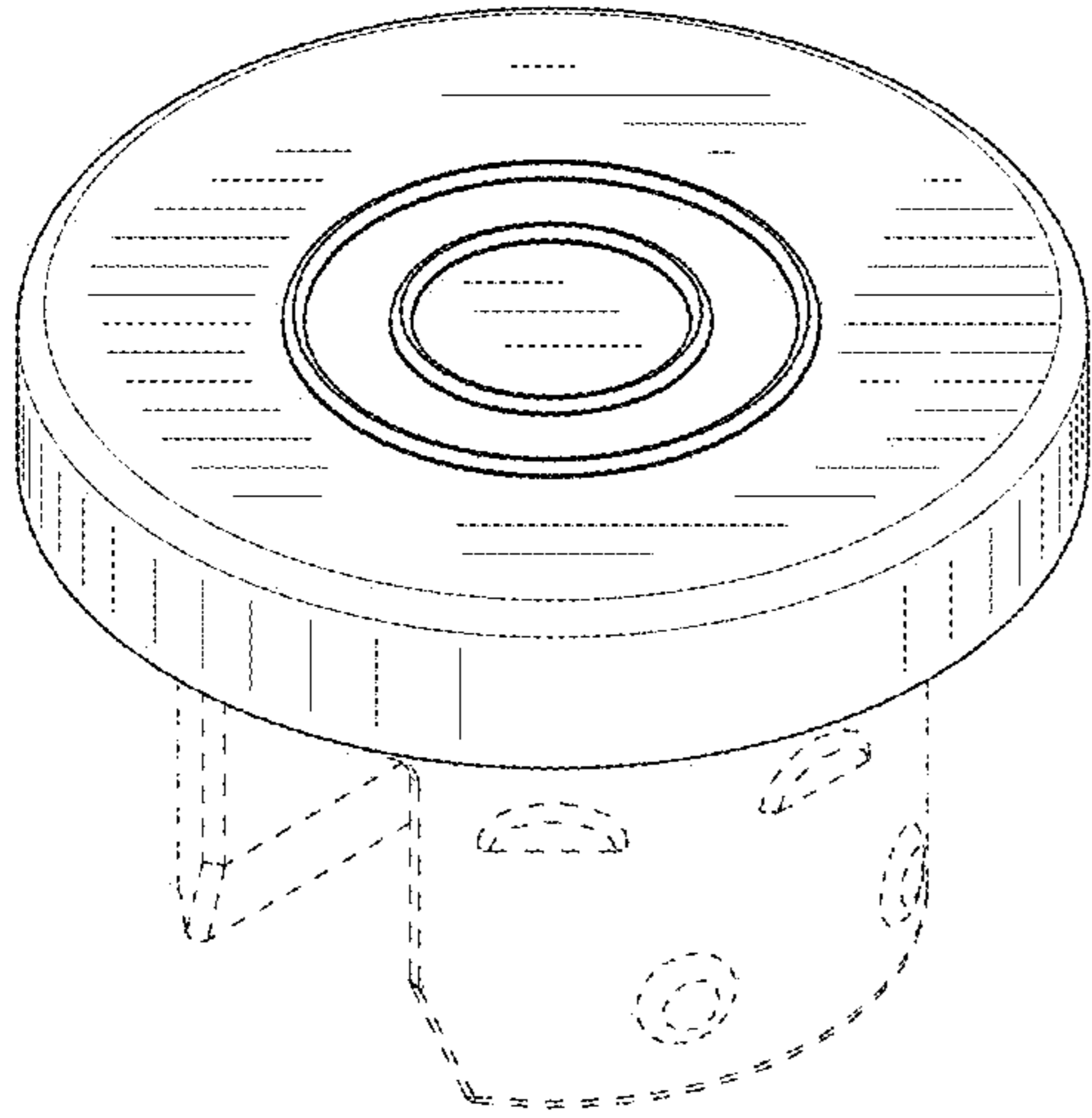


FIG. 1

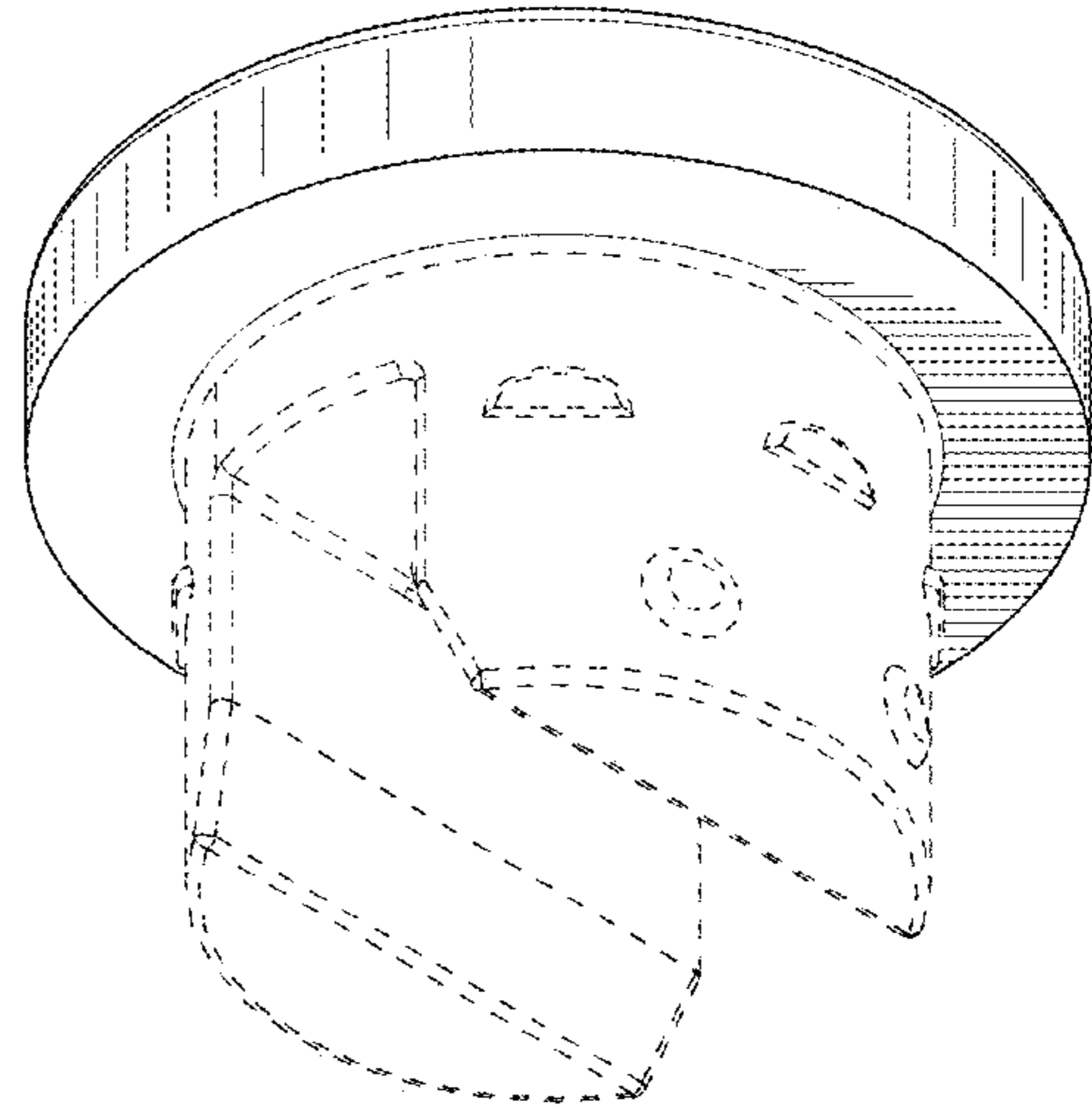


FIG. 2

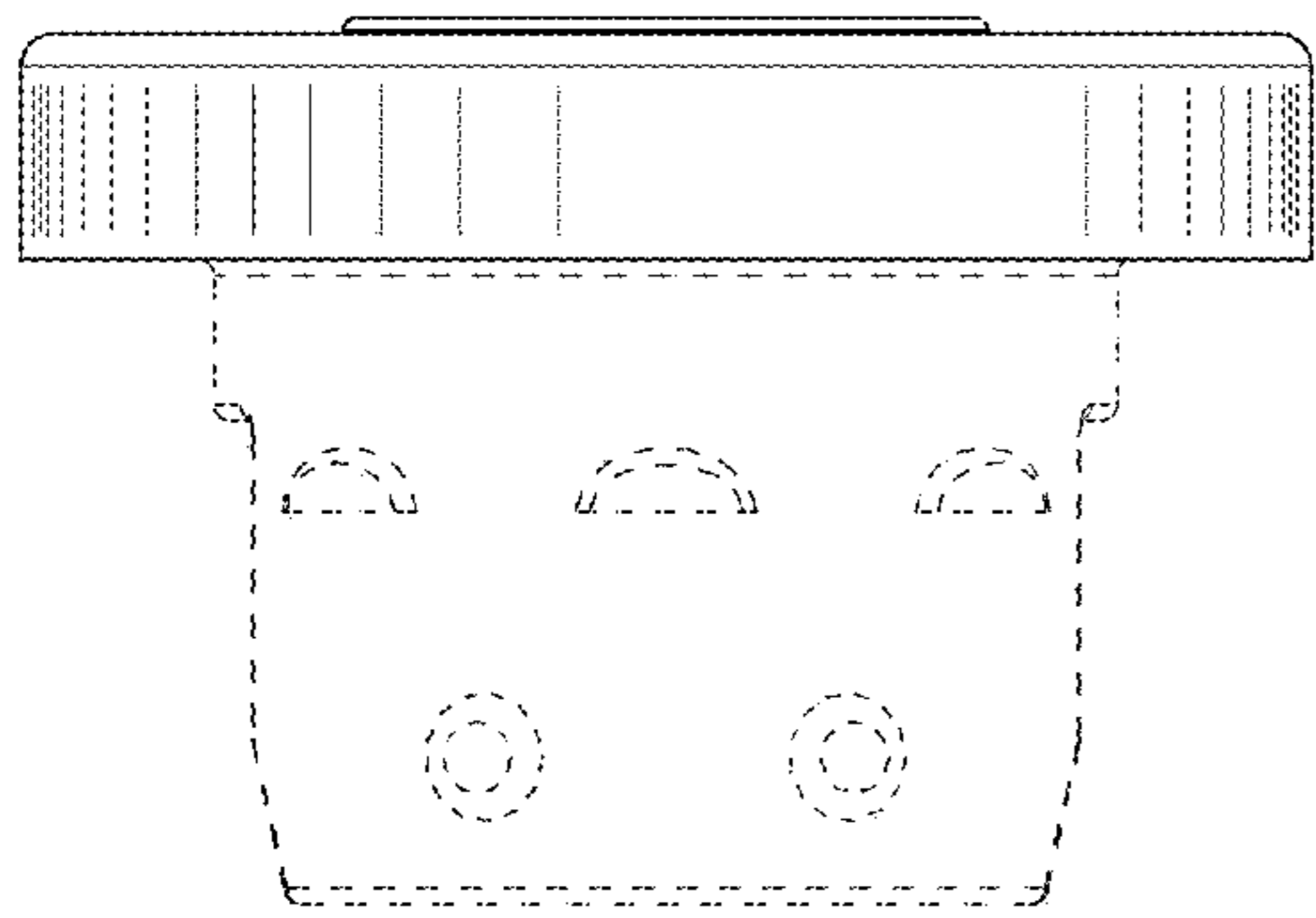


FIG. 3

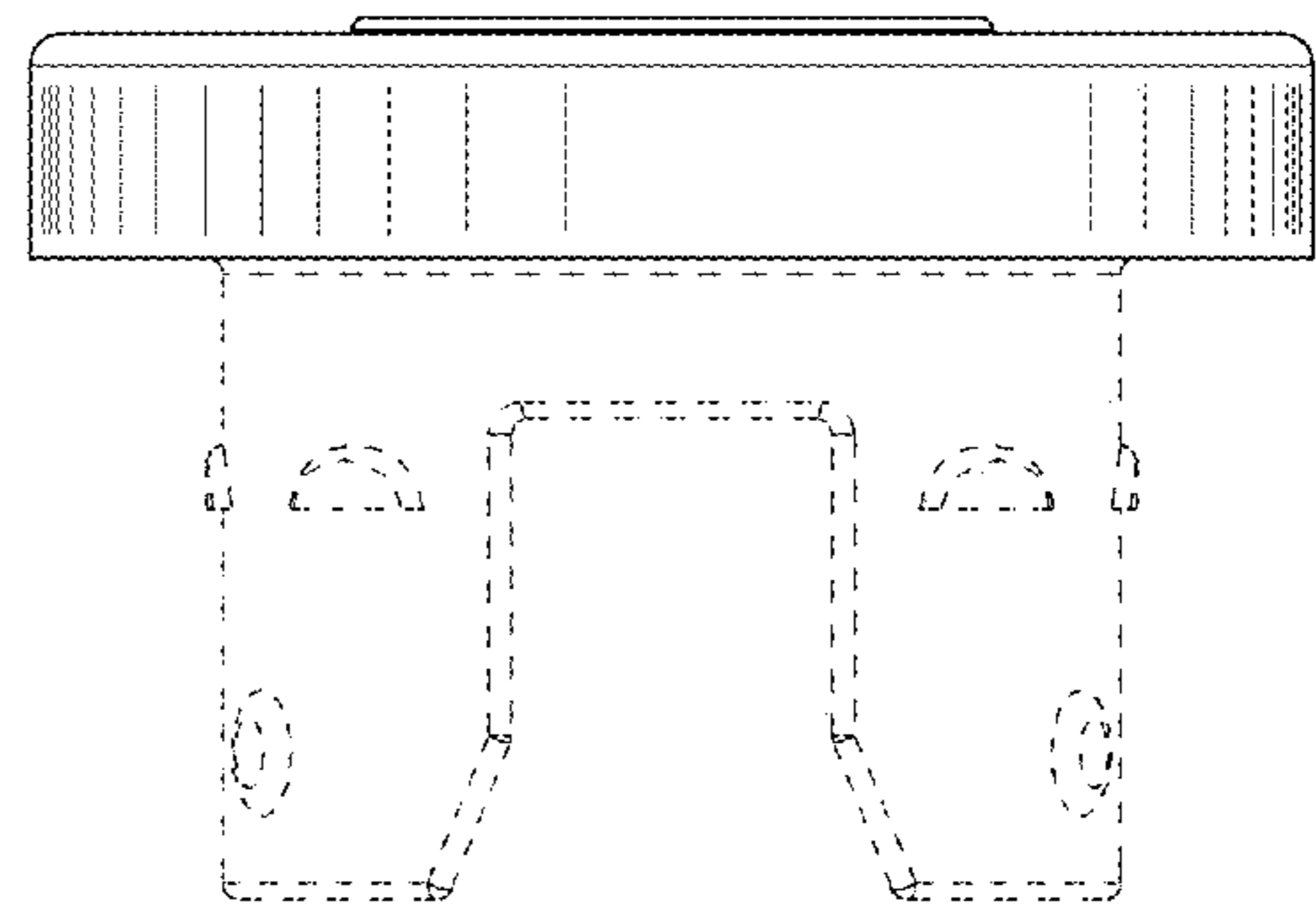


FIG. 4