



US00D908484S

(12) **United States Design Patent** (10) **Patent No.:** **US D908,484 S**
Smith et al. (45) **Date of Patent:** **** *Jan. 26, 2021**

(54) **CONTAINER**

(71) Applicant: **ALL PLASTIC, INC.**, Gold River, CA (US)

(72) Inventors: **William Thomas Smith**, Fair Oaks, CA (US); **Cheryl Ann Smith**, Fair Oaks, CA (US)

(73) Assignee: **ALL PLASTIC, INC.**, Gold River, CA (US)

(*) Notice: This patent is subject to a terminal disclaimer.

(**) Term: **15 Years**

(21) Appl. No.: **29/733,779**

(22) Filed: **May 6, 2020**

Related U.S. Application Data

(60) Division of application No. 29/665,425, filed on Oct. 3, 2018, now Pat. No. Des. 887,843, which is a continuation-in-part of application No. 29/663,940, filed on Sep. 20, 2018, now Pat. No. Des. 902,028, and a continuation-in-part of application No. 29/663,942, filed on Sep. 20, 2018, said application No. 29/663,940 is a continuation-in-part of application No. 29/659,740, filed on Aug. 10, 2018.

(51) **LOC (13) Cl.** **09-03**

(52) **U.S. Cl.**
USPC **D9/428; D6/677; D9/504**

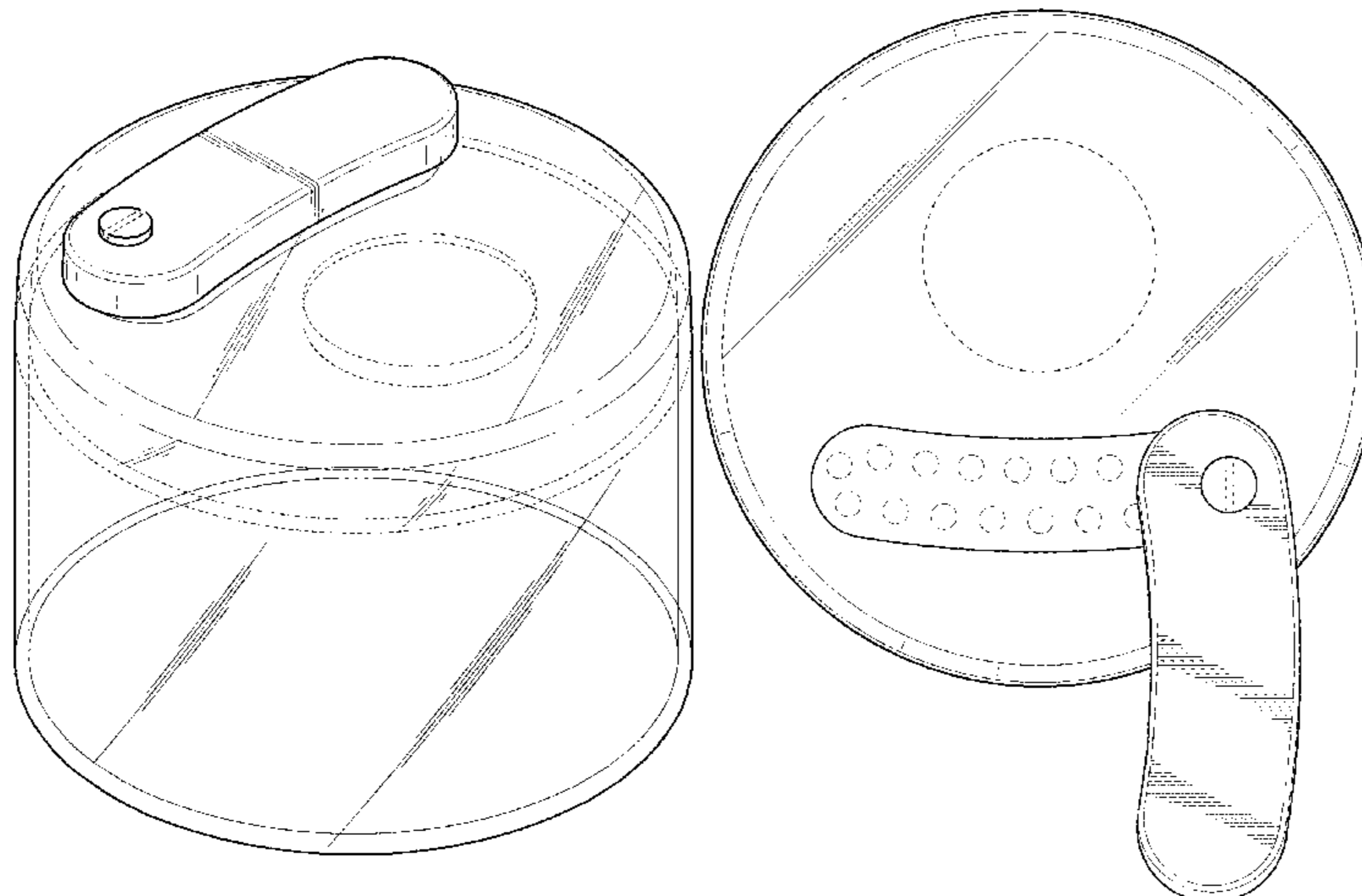
(58) **Field of Classification Search**
USPC D9/414, 418, 422, 423, 424, 428, 436, D9/454, 503, 504, 549, 721; D6/677
CPC B65D 25/54; B65D 25/106; B65D 25/22; B65D 51/24; B65D 51/245; A47F 3/145; A47F 7/286

See application file for complete search history.

(56) **References Cited**

U.S. PATENT DOCUMENTS

| | | | |
|--------------|---------|------------------------|----------|
| D128,936 S * | 8/1941 | Foley | D3/203.2 |
| D181,321 S | 10/1957 | Stowell | |
| 2,807,901 A | 10/1957 | Gilowitz | |
| 3,247,995 A | 4/1966 | Jensen | |
| 3,656,840 A | 4/1972 | Smith et al. | |
| 4,106,660 A | 8/1978 | Boyle | |
| D255,546 S * | 6/1980 | Zaidmann | D6/661 |
| 4,230,231 A | 10/1980 | Burnett et al. | |
| 4,284,200 A | 8/1981 | Bush et al. | |
| D272,595 S | 2/1984 | Chase et al. | |
| D292,887 S * | 11/1987 | Schouten | D9/424 |
| D303,428 S | 9/1989 | Wada | |
| 4,979,332 A | 12/1990 | Nagaya et al. | |
| D322,323 S | 12/1991 | Moir | |
| D340,187 S | 10/1993 | Forsyth | |
| 5,321,908 A | 6/1994 | Ushimaru | |
| 5,363,801 A | 11/1994 | Walters et al. | |
| 5,927,007 A | 7/1999 | Oda et al. | |
| 6,013,524 A | 1/2000 | Friars et al. | |
| D455,552 S * | 4/2002 | Charness | D3/302 |
| 6,571,972 B1 | 6/2003 | Bouc et al. | |
| D476,572 S | 7/2003 | Merritt | |
| D480,307 S * | 10/2003 | Canamasas Puigbo | D28/76 |
| 6,761,287 B2 | 7/2004 | Caruso | |
| D493,721 S | 8/2004 | Puigbo | |
| D493,722 S * | 8/2004 | Cooper | D9/504 |
| D513,979 S | 1/2006 | Snedden et al. | |
| D517,405 S | 3/2006 | Snedden et al. | |
| D518,728 S | 4/2006 | Frantz | |
| D523,752 S | 6/2006 | Bried | |
| 7,185,827 B2 | 3/2007 | Quintard et al. | |
| D547,177 S | 7/2007 | Sherman et al. | |
| D588,450 S | 3/2009 | Snedden et al. | |
| D590,706 S | 4/2009 | Doliwa et al. | |
| D591,148 S | 4/2009 | Parikh et al. | |
| D600,111 S | 9/2009 | Gerulski et al. | |
| D621,603 S | 8/2010 | Traylor | |
| D630,949 S | 1/2011 | Lim | |
| D646,969 S | 10/2011 | Snedden et al. | |
| D647,530 S | 10/2011 | Busch | |
| 8,079,478 B2 | 12/2011 | Short et al. | |
| D655,604 S | 3/2012 | Molina | |
| D671,831 S * | 12/2012 | Moreau | D9/428 |
| D685,227 S | 7/2013 | Boonprasop | |
| 8,544,208 B2 | 10/2013 | Huang | |
| D696,948 S * | 1/2014 | Kim | D9/454 |
| D702,547 S | 4/2014 | Akana | |
| D703,055 S * | 4/2014 | Park | D9/454 |
| 8,925,725 B1 | 1/2015 | Burnett | |



| | | | |
|-------------------|---------|-----------------|------------|
| D731,891 S | 6/2015 | Servaire | |
| D749,381 S | 2/2016 | Magri | |
| D765,389 S * | 9/2016 | Martin | D3/203.5 |
| D769,079 S | 10/2016 | Kotani | |
| D775,959 S | 1/2017 | Owen | |
| D778,718 S | 2/2017 | Smith et al. | |
| 9,630,747 B2 | 4/2017 | Smith et al. | |
| D794,944 S * | 8/2017 | Martin | D3/203.5 |
| D806,543 S | 1/2018 | Finkbohner | |
| D812,939 S | 3/2018 | Modlin | |
| D814,831 S * | 4/2018 | Modlin | D6/677 |
| 9,981,790 B1 | 5/2018 | Ost | |
| D821,738 S | 7/2018 | Small | |
| D830,779 S | 10/2018 | Li et al. | |
| D842,494 S | 3/2019 | Lee | |
| D849,526 S | 5/2019 | Sanders et al. | |
| D855,449 S * | 8/2019 | Smith | D9/414 |
| 10,384,834 B2 | 8/2019 | Smith et al. | |
| D859,894 S * | 9/2019 | Smith | D6/682.1 |
| D861,475 S | 10/2019 | Giwani | |
| D862,226 S | 10/2019 | Horn | |
| D863,053 S * | 10/2019 | Smith | D9/414 |
| D866,334 S | 11/2019 | Wieland | |
| D876,945 S * | 3/2020 | Smith | D9/414 |
| 2003/0234208 A1 | 12/2003 | Huang | |
| 2005/0092751 A1 | 5/2005 | Alvares | |
| 2007/0051826 A1 | 3/2007 | Schofield | |
| 2009/0057326 A1 | 3/2009 | Opitz | |
| 2009/0261100 A1 | 10/2009 | McMinn | |
| 2010/0300370 A1 | 12/2010 | Hundt | |
| 2013/0313217 A1 | 11/2013 | Yamamoto et al. | |
| 2016/0031605 A1 | 2/2016 | Bean et al. | |
| 2016/0318672 A1 * | 11/2016 | Smith | B65D 85/70 |
| 2017/0190482 A1 | 7/2017 | Smith et al. | |
| 2017/0275075 A1 * | 9/2017 | Bamonte | A47J 47/10 |
| 2018/0362215 A1 * | 12/2018 | Whetsel | B65D 25/54 |
| 2019/0009967 A1 * | 1/2019 | Lung | B65B 5/04 |
| 2019/0152648 A1 * | 5/2019 | Parve | B65D 21/08 |
| 2020/0130901 A1 | 4/2020 | Karll | |

FOREIGN PATENT DOCUMENTS

EP 1779885 5/2007

OTHER PUBLICATIONS

U.S. Appl. No. 29/659,740, filed Aug. 10, 2018, William Thomas Smith.
 U.S. Appl. No. 29/663,940, filed Sep. 20, 2018, William Thomas Smith.
 U.S. Appl. No. 29/663,942, filed Sep. 20, 2018, William Thomas Smith.
 U.S. Appl. No. 29/665,425, filed Oct. 3, 2018, William Thomas Smith.
 Facebook post showing sample containers, Oct. 22, 2016. <https://www.facebook.com/BudBarDisplays/photos/a.1250515684990657/1251439121564980/?type=3&theater> (1 page).
 Bud Pod and Bud pod security tether close up. Publication on Facebook Oct. 21, 2016. <https://www.facebook.com/BudBarDisplays/photos/a.1250515684990657/1250523611656531/?type=3&theater>.
 Budtender Demo-Bud Bar Displays. Publication on youtube dated May 7, 2017—<https://www.youtube.com/watch?v=JRd6B1ZXZIk>.
 Magazine AD for Bud Bar Displays™. 3rd Annual Marijuana Business Conference & Expo, Las Vegas, NV, Nov. 1, 2014. 3 pages.
 Magazine AD for Bud Bar Displays™. Canna Con, Denver, Colorado, Jun. 1, 2015. 3 pages.
 Magazine AD for Bud Bar Displays™. Marijuana Business Magazine, vol. 2, Issue 4, Jul. 1, 2015. 2 pages.
 Magazine AD for Bud Bar Displays™. Marijuana Venture Magazine, Jun. 1, 2017. 3 pages.
 Magazine AD for Bud Bar Displays™. Marijuana Venture Magazine, vol. 1, Issue 7, Sep. 1, 2014. 3 pages.

Magazine AD for Bud Bar Displays™. MG-Magazine.com, Feb. 1, 2016. 2 pages.
 Magazine AD for Bud Bar Displays™. The News Tribune, Aug. 15, 2014. 2 pages.
 Magazine AD showing Bud Bar Displays™. Dope Magazine, Issue #7, Dec. 1, 2015. 2 pages.
 Pictures of Bud Bar Displays™ booth at the KushCon Convention, which features the Epods. Denver, Colorado, Dec. 1, 2010. 3 pages.
 Website photo. 3 Tier Lighted Display. www.budbardisplays.com. Published Jul. 9, 2017.
 Website photo. Aroma epod. www.budbardisplays.com. Published Jan. 23, 2016.
 Website photo. BudBar. www.budbardisplays.com. Published Jan. 23, 2016.
 Website photo. Bud bar cabinet. www.budbardisplays.com. Published Jul. 9, 2017.
 Website photo. Bud Pod. www.budbardisplays.com. Published Jul. 9, 2017.
 Website photo. Bud-Pod. www.budbardisplays.com. Published Jan. 23, 2016.
 Website photo. Budtender1. www.budbardisplays.com. Published Jul. 9, 2017.
 Website photo. Canna pod. www.budbardisplays.com. Published Jul. 9, 2017.
 Website photo. cannabisaroma cannapod. www.budbardisplays.com. Published Jan. 23, 2016.
 Website photo. e-Pod. www.budbardisplays.com. Published Jul. 9, 2017.
 Website photo. Eco Pod Cabinet. www.budbardisplays.com. Published Jul. 9, 2017.
 Website photo. Epod. www.budbardisplays.com. Published Jan. 23, 2016.
 Website photo. Highlight display. www.budbardisplays.com. Published Jan. 23, 2016.
 Website photo. Sample pod package. www.budbardisplays.com. Published Jul. 9, 2017.
 Website photo. Security seals for pods. www.budbardisplays.com. Published Jul. 9, 2017.
 Website photo. Tether on Bud Pod3. www.budbardisplays.com. Published Jul. 9, 2017.
 Author Unknown; Bud Pod Seals Airtight for Freshness; Published Sep. 14, 2018; Retrieved Nov. 5, 2019 from www.budbardisplays.com/product/pods/bud-pod.

* cited by examiner

Primary Examiner — Lauren R Calve
 (74) Attorney, Agent, or Firm — Ballard Spahr LLP

(57) CLAIM

We claim the ornamental design for a container, as shown and described.

DESCRIPTION

FIG. 1 is a perspective view of a container in accordance with a first variant of said design, in which the plug is in a closed position;
 FIG. 2 is a top plan view of the container shown in FIG. 1;
 FIG. 3 is a bottom plan view of the container shown in FIG. 1;
 FIG. 4 is a rear view of the container shown in FIG. 1;
 FIG. 5 is a right side view of the container shown in FIG. 1;
 FIG. 6 is a front view of the container shown in FIG. 1;
 FIG. 7 is a left side view of the container shown in FIG. 1;
 FIG. 8 is a perspective view of a container shown in FIG. 1, in which the plug is in an open position;
 FIG. 9 is a top plan view of the container shown in FIG. 8;
 FIG. 10 is a bottom plan view of the container shown in FIG. 8;
 FIG. 11 is a rear view of the container shown in FIG. 8;

FIG. 12 is a right side view of the container shown in FIG. 8;
FIG. 13 is a front view of the container shown in FIG. 8;
FIG. 14 is a left side view of the container shown in FIG. 8;
FIG. 15 is a perspective view of a container in accordance with a second variant of said design, in which the plug is in a closed position;
FIG. 16 is a top plan view of the container shown in FIG. 15;
FIG. 17 is a bottom plan view of the container shown FIG. 15;
FIG. 18 is a rear view of the container shown in FIG. 15;
FIG. 19 is a right side view of the container shown in FIG. 15;
FIG. 20 is a front view of the container shown in FIG. 15;
FIG. 21 is a left side view of the container shown in FIG. 15;
FIG. 22 is a perspective view of a container shown in FIG. 15, in which the plug is in an open position;
FIG. 23 is a top plan view of the container shown in FIG. 22;
FIG. 24 is a bottom plan view of the container shown in FIG. 22;
FIG. 25 is a rear view of the container shown in FIG. 22;
FIG. 26 is a right side view of the container shown in FIG. 22;
FIG. 27 is a front view of the container shown in FIG. 22;
and,
FIG. 28 is a left side view of the container shown in FIG. 22.
The broken lines depict portions of the article that form no part of the claimed design.

1 Claim, 24 Drawing Sheets

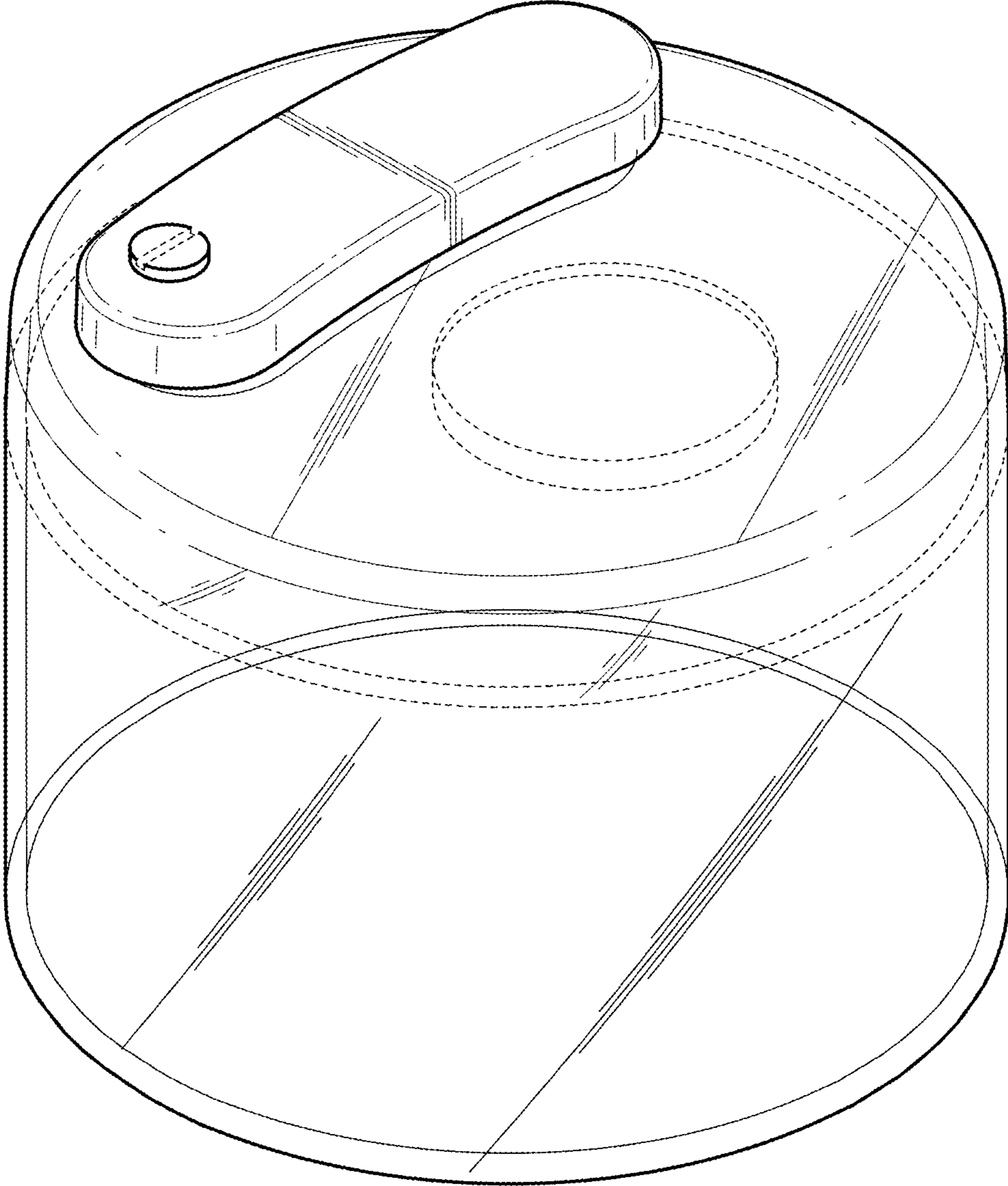


FIG. 1

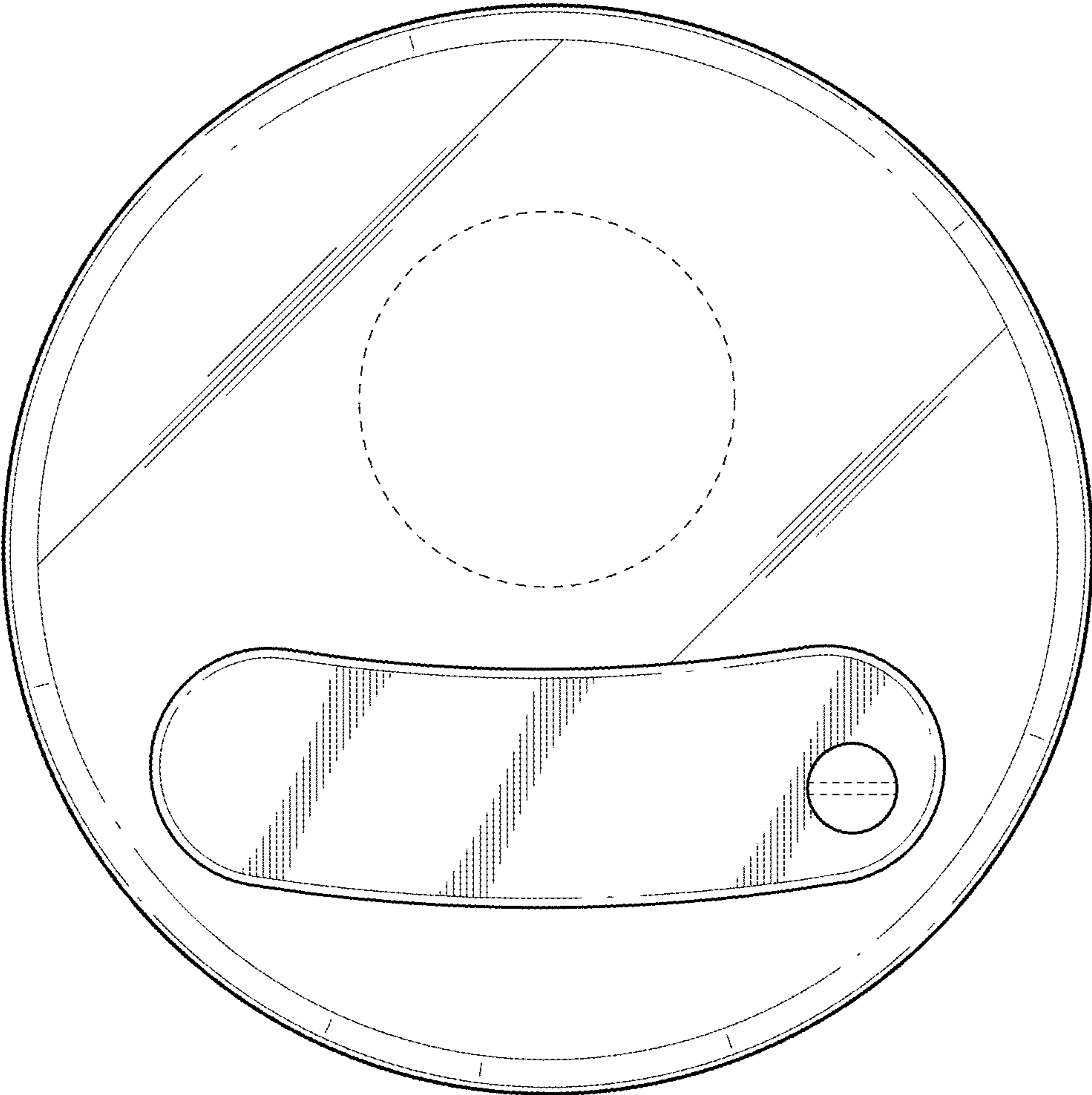


FIG. 2

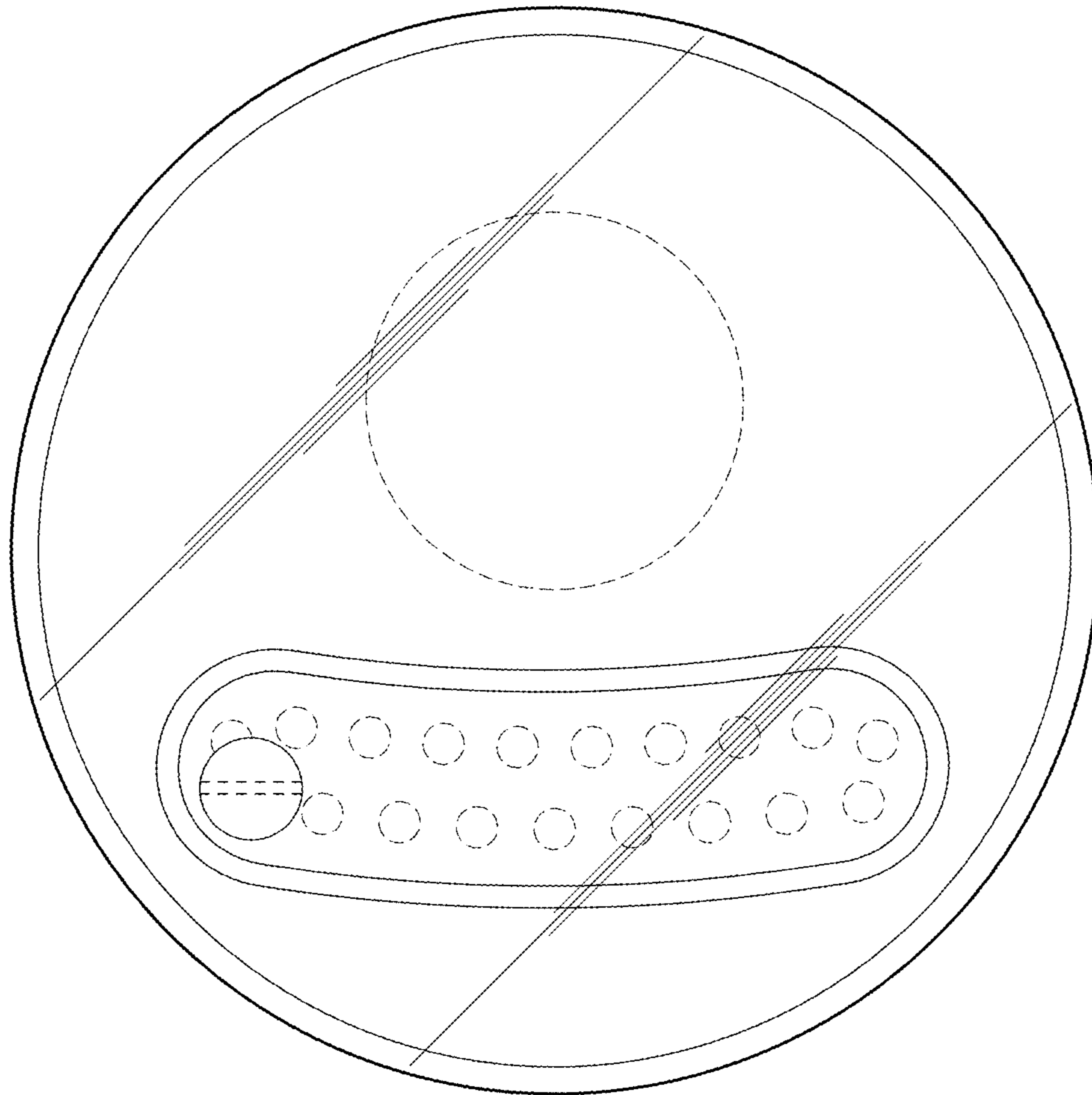


FIG. 3

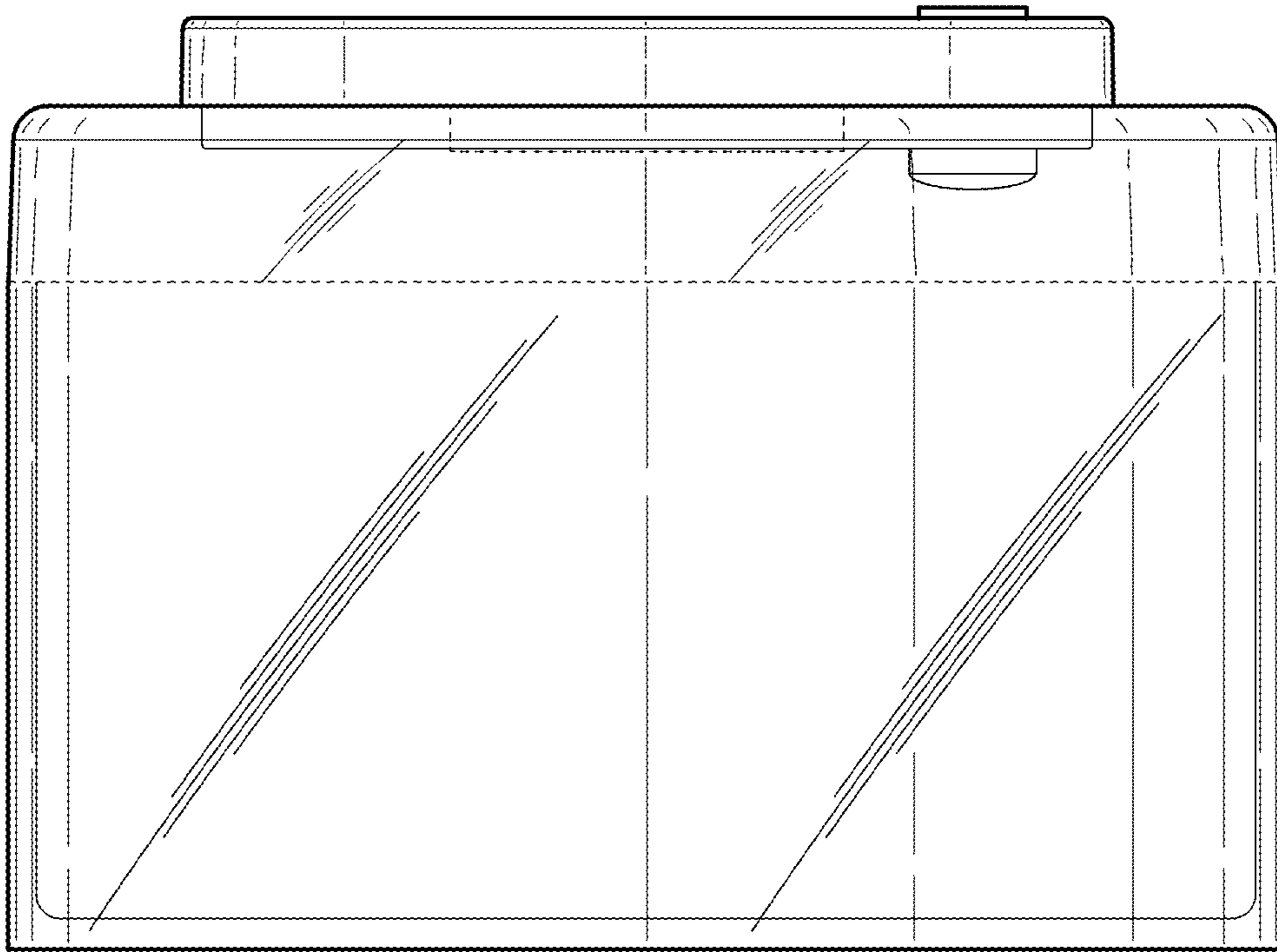


FIG. 4

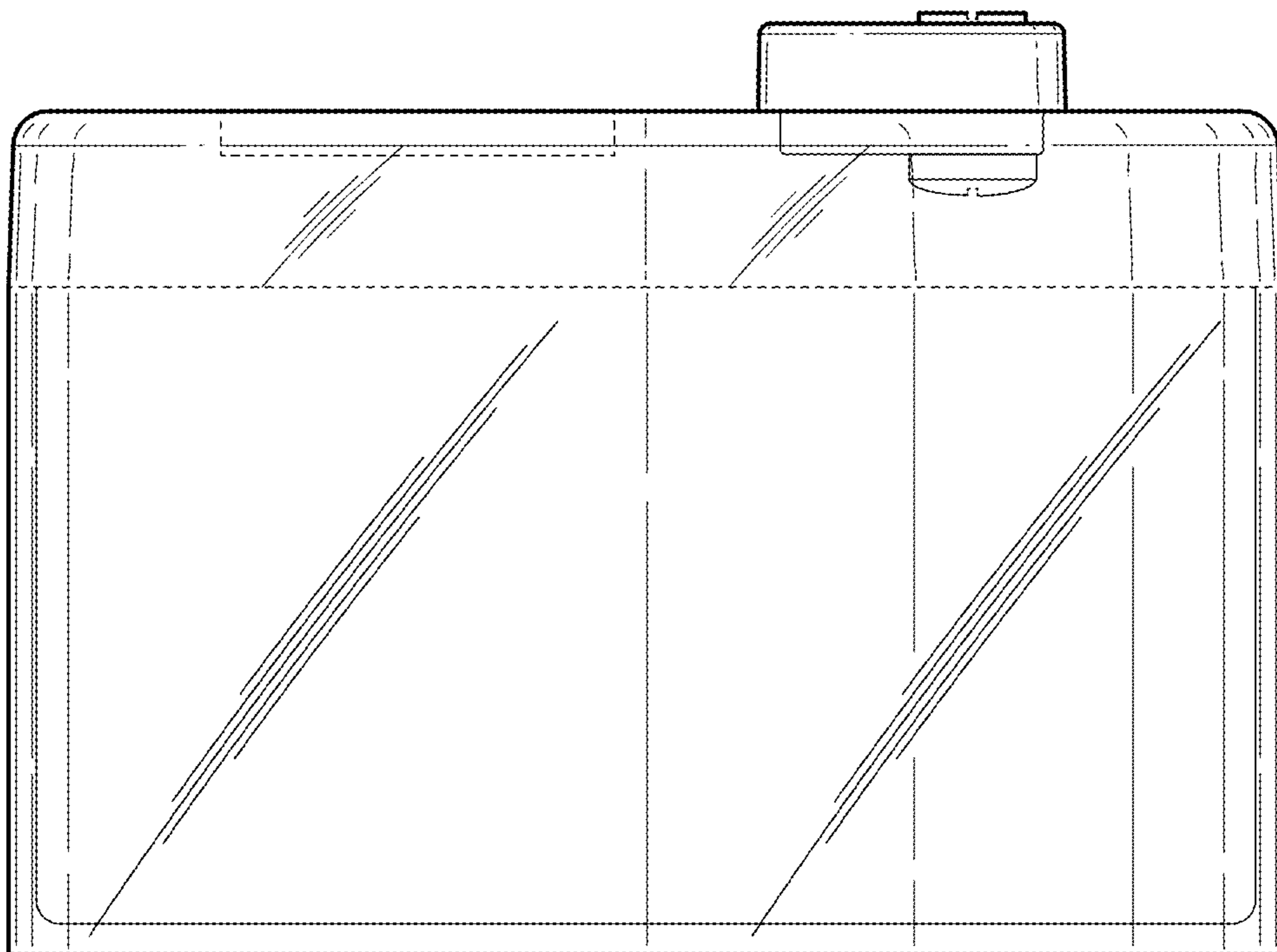


FIG. 5

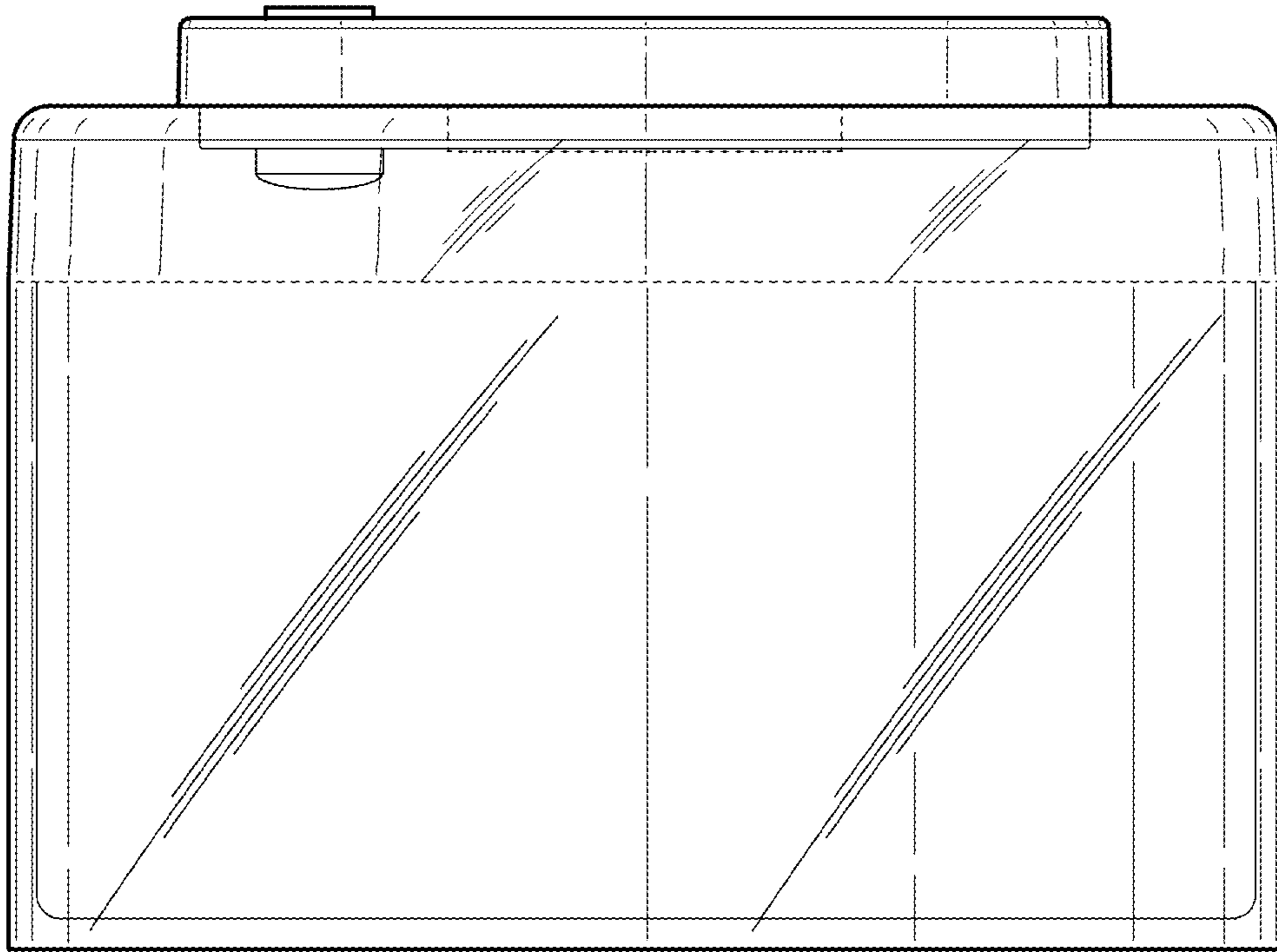


FIG. 6

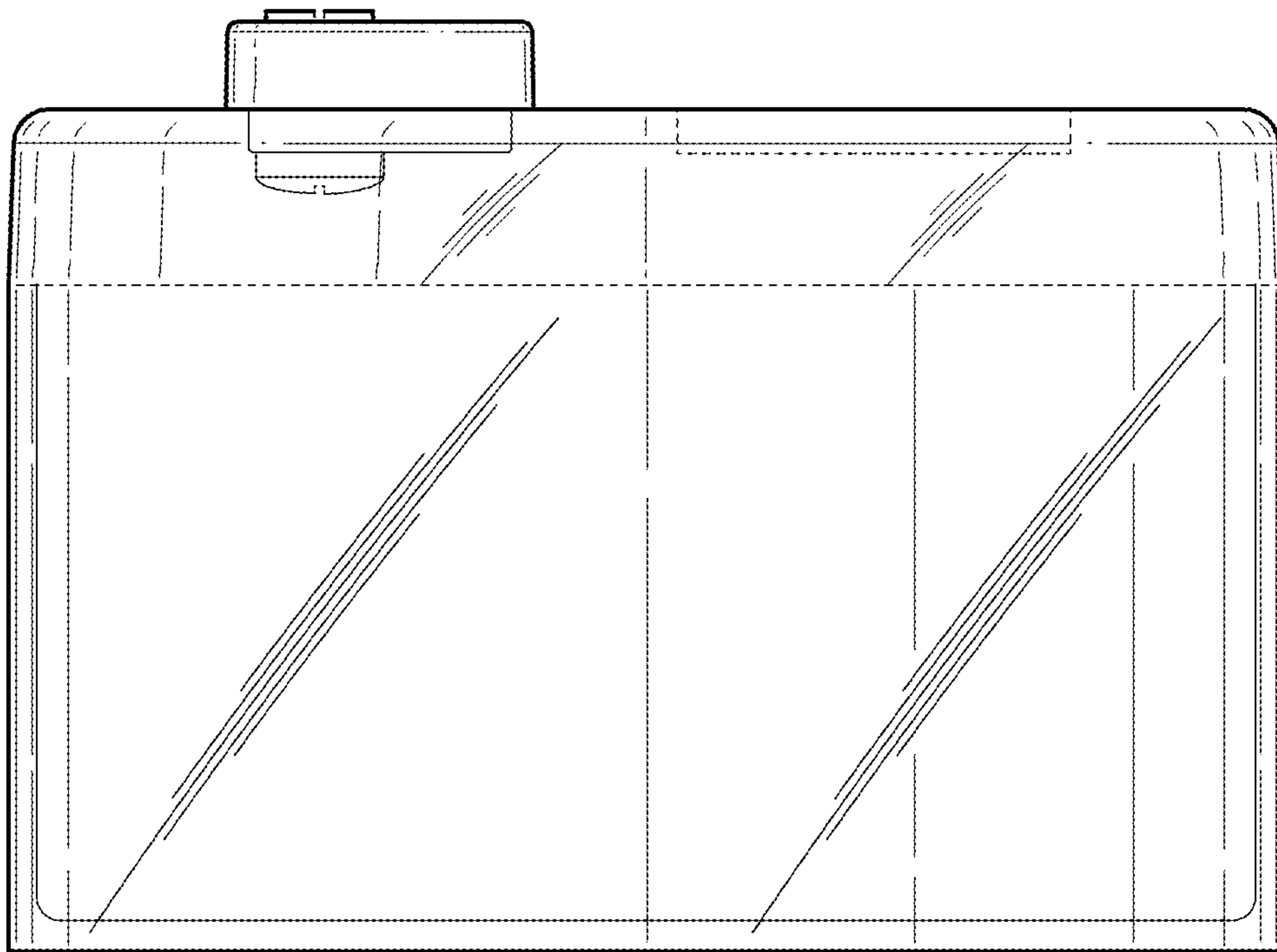


FIG. 7

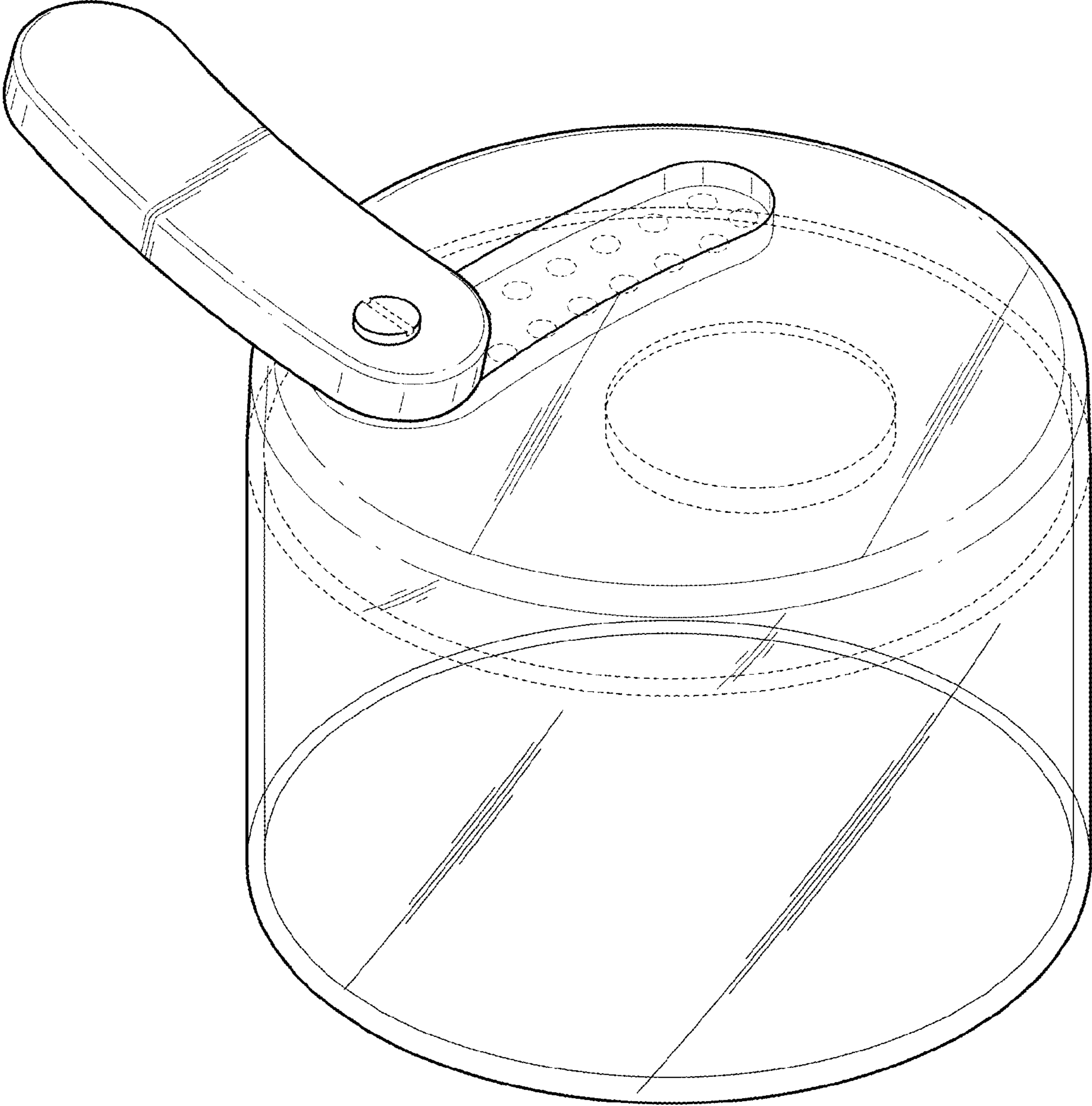


FIG. 8

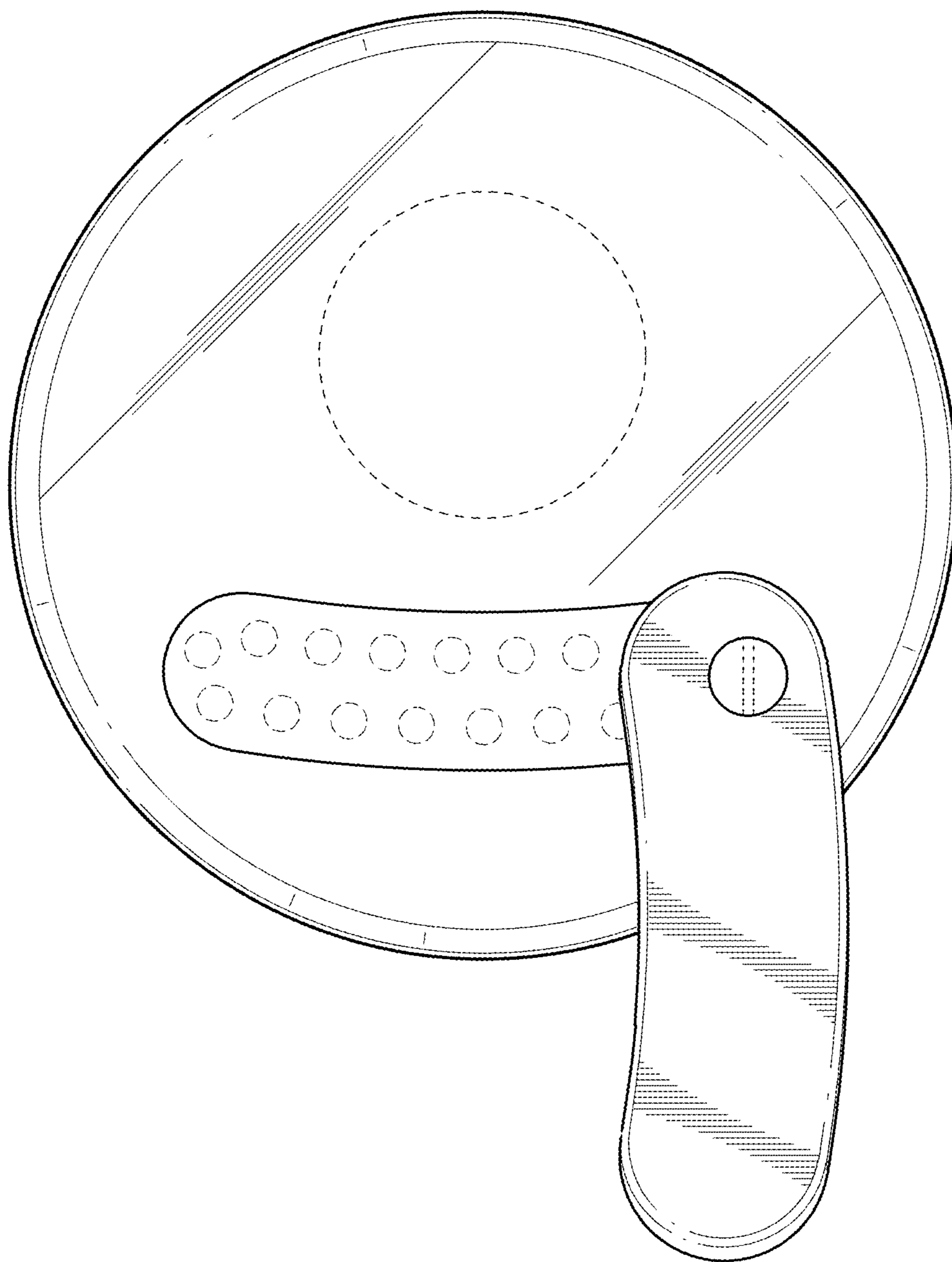


FIG. 9

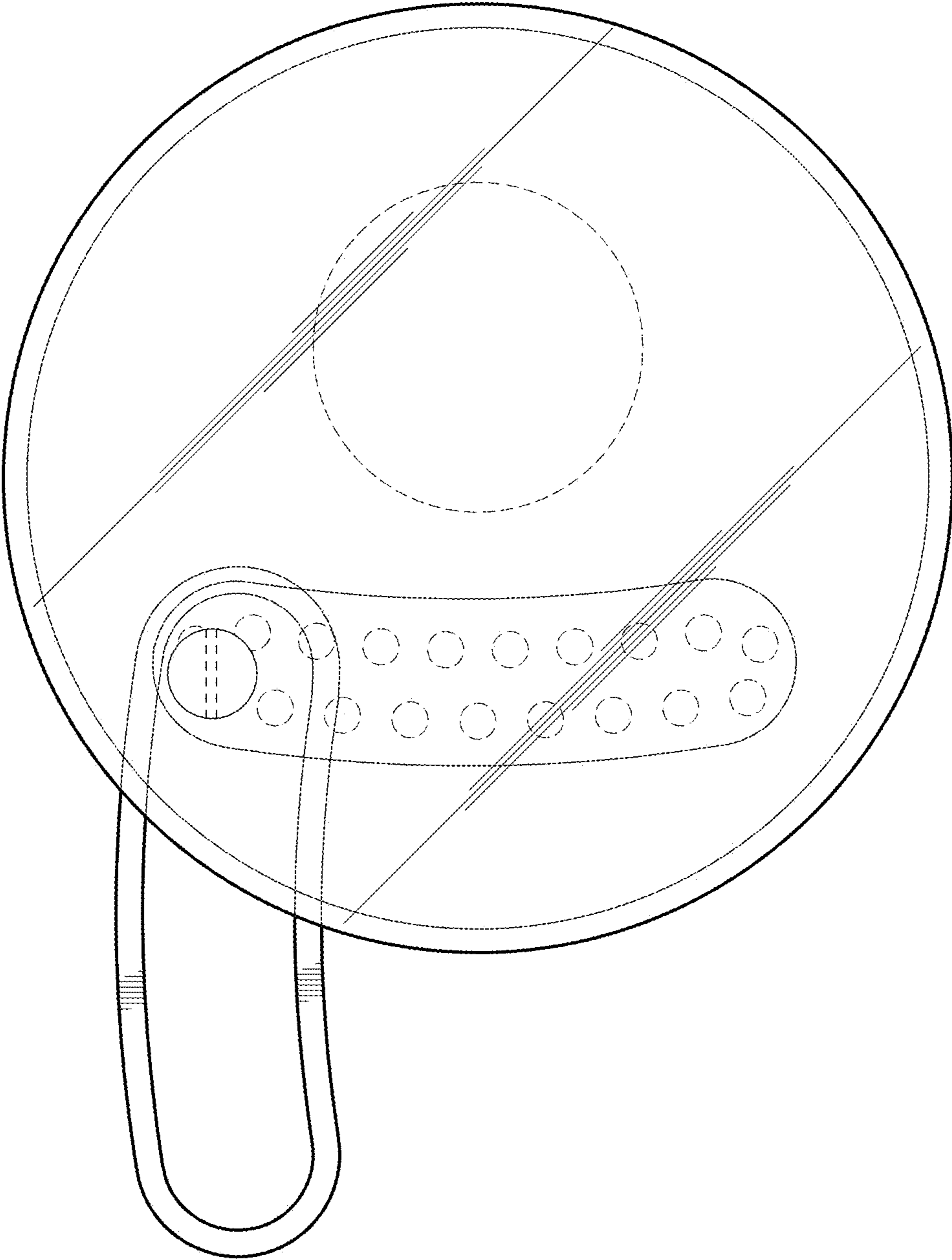


FIG. 10

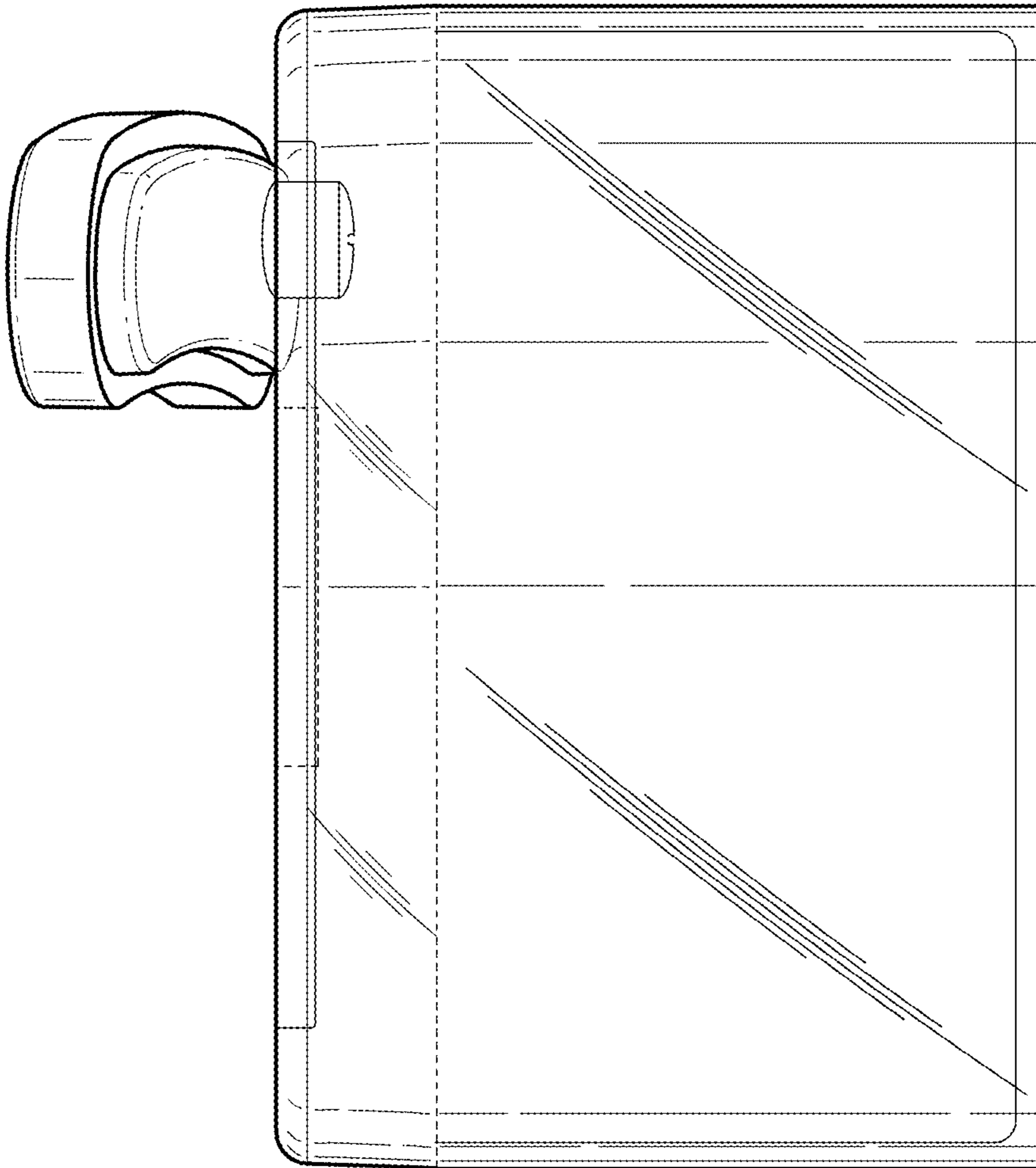


FIG. 11

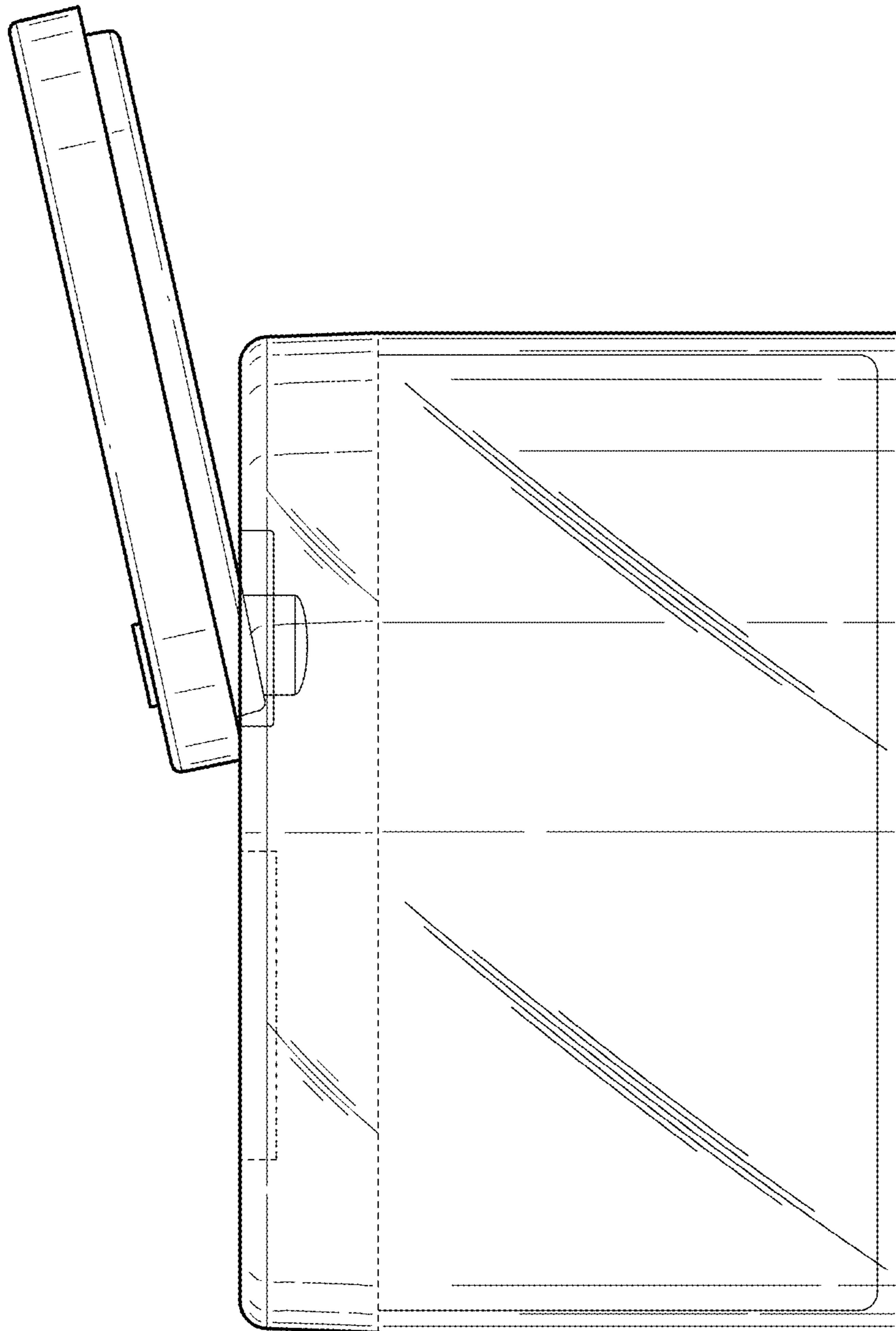


FIG. 12

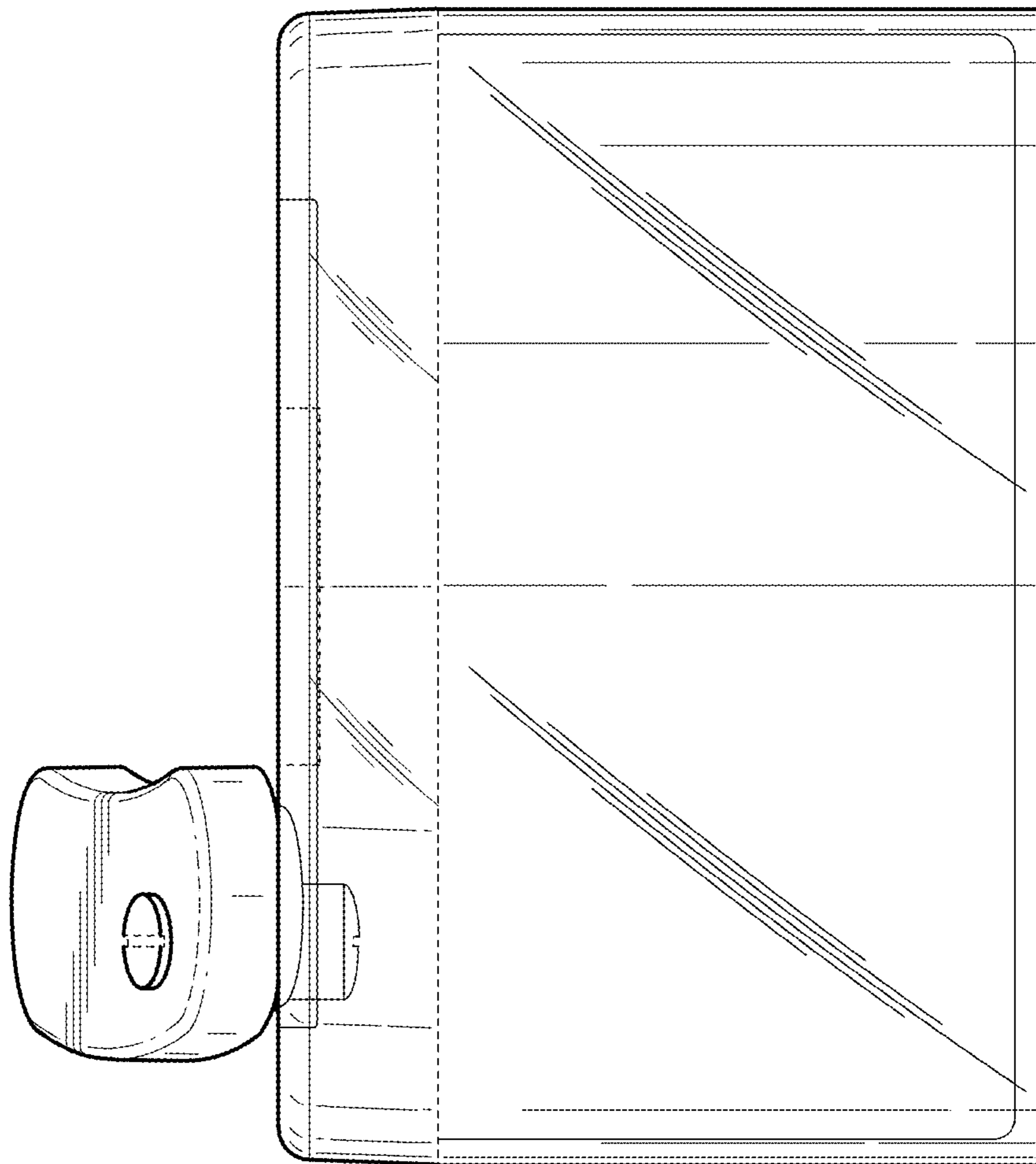


FIG. 13

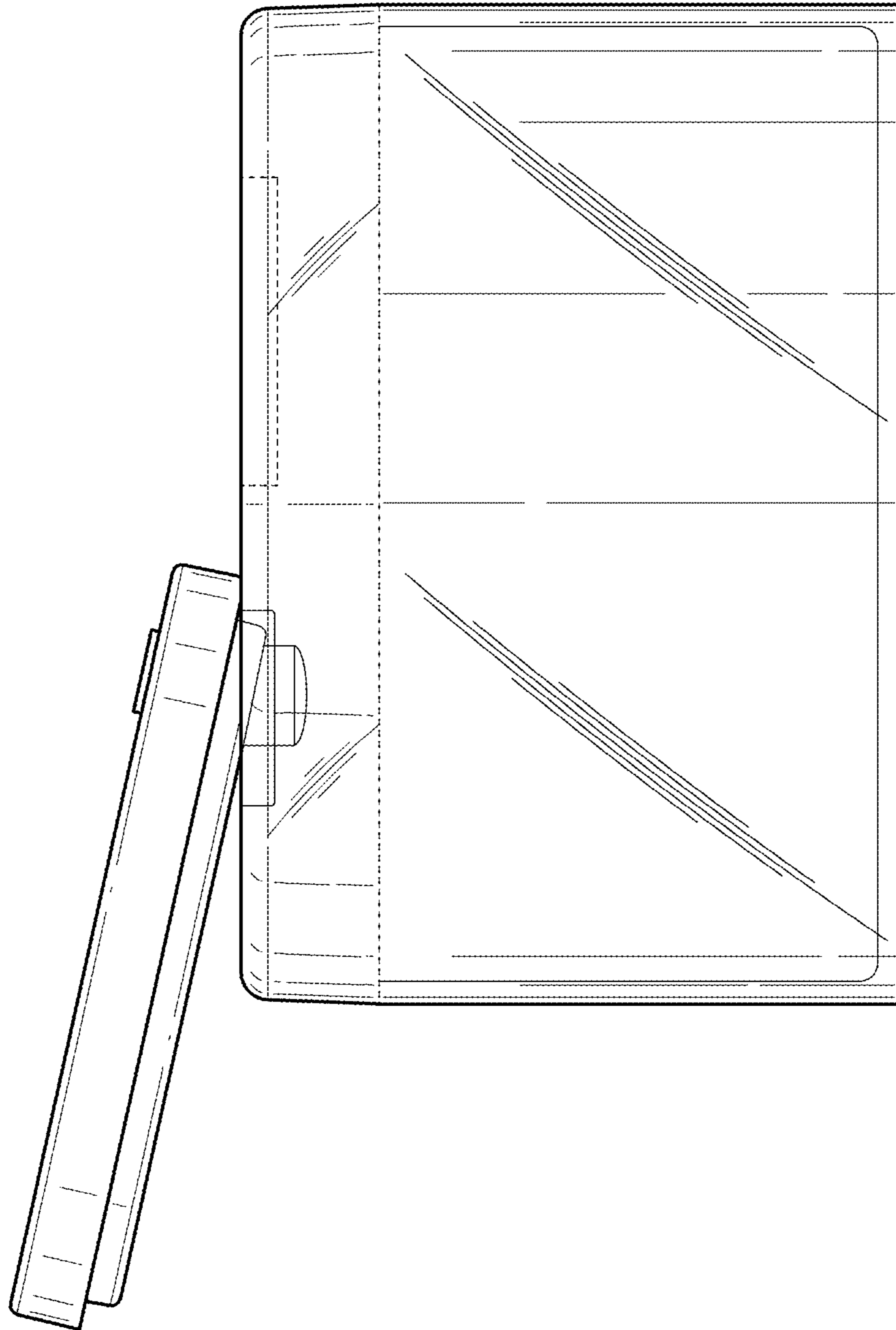


FIG. 14

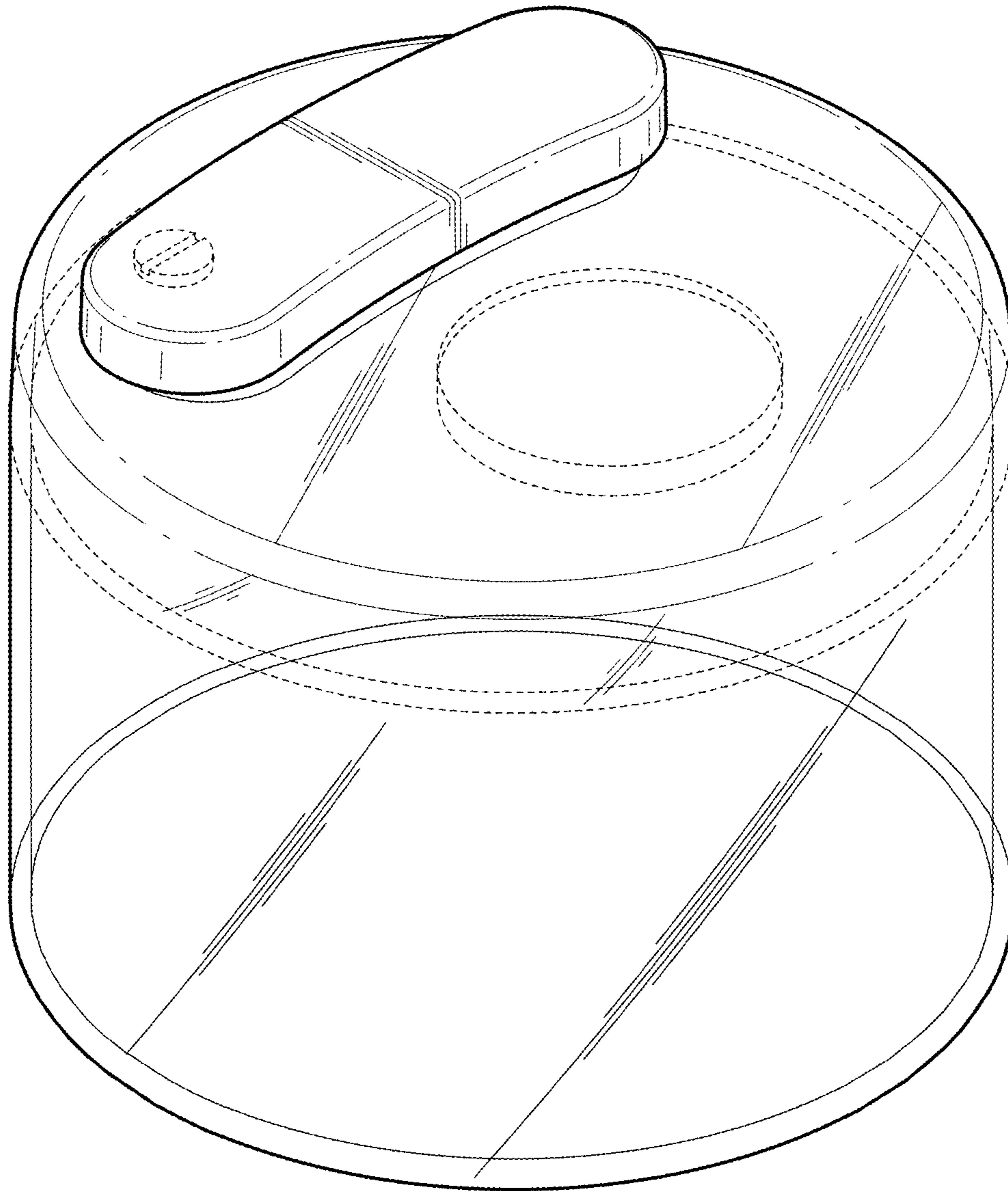


FIG. 15

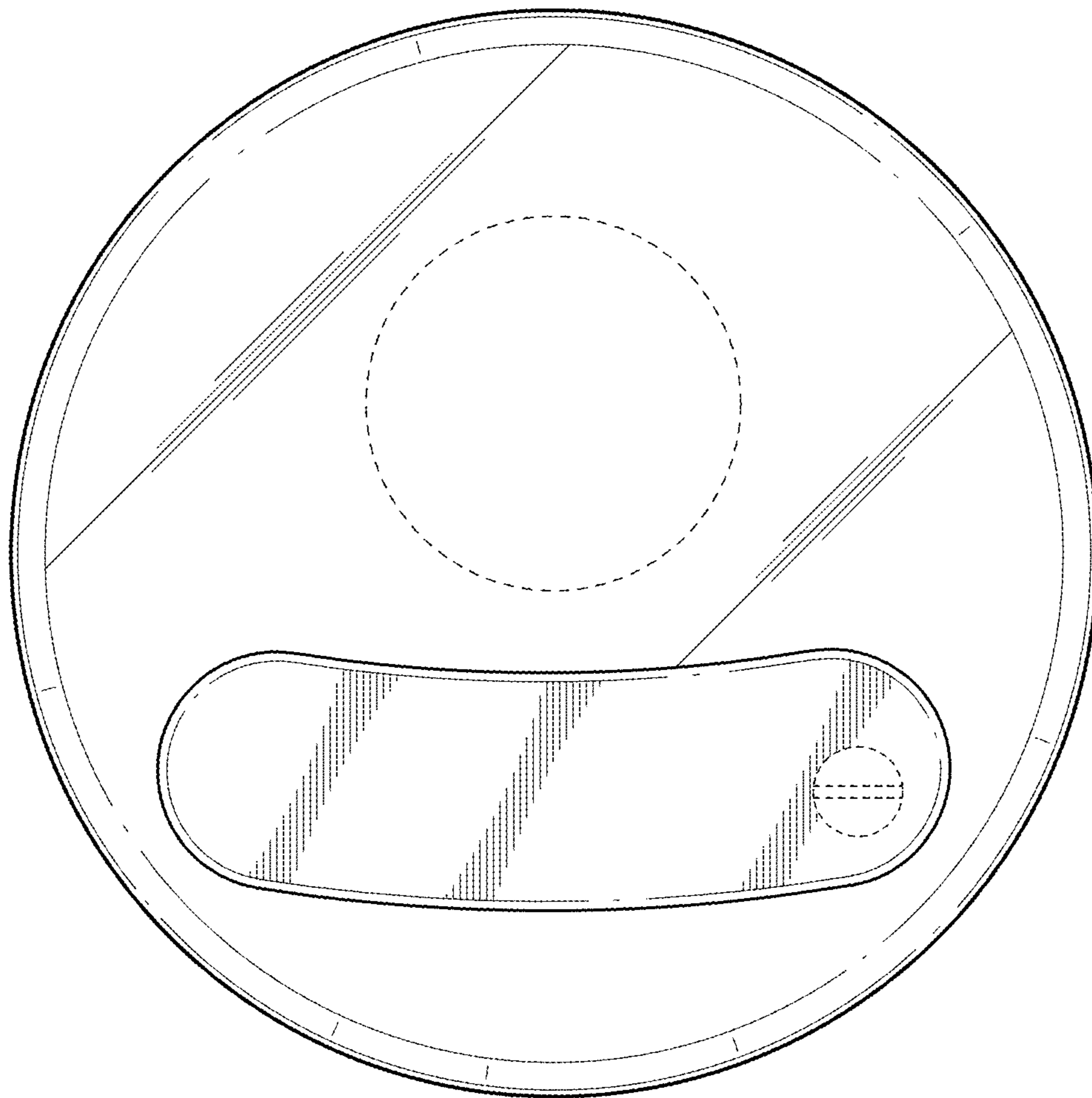


FIG. 16

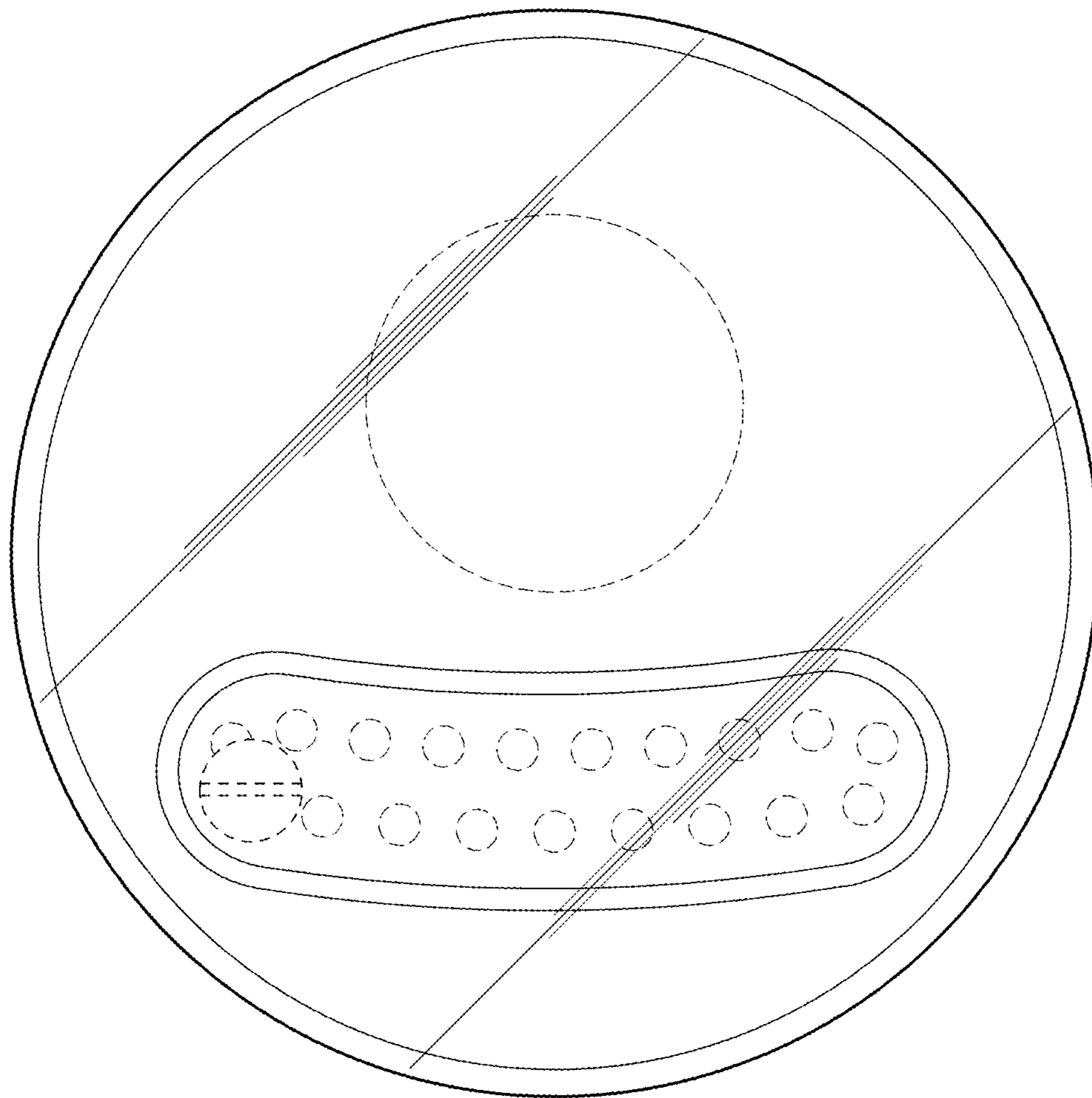


FIG. 17

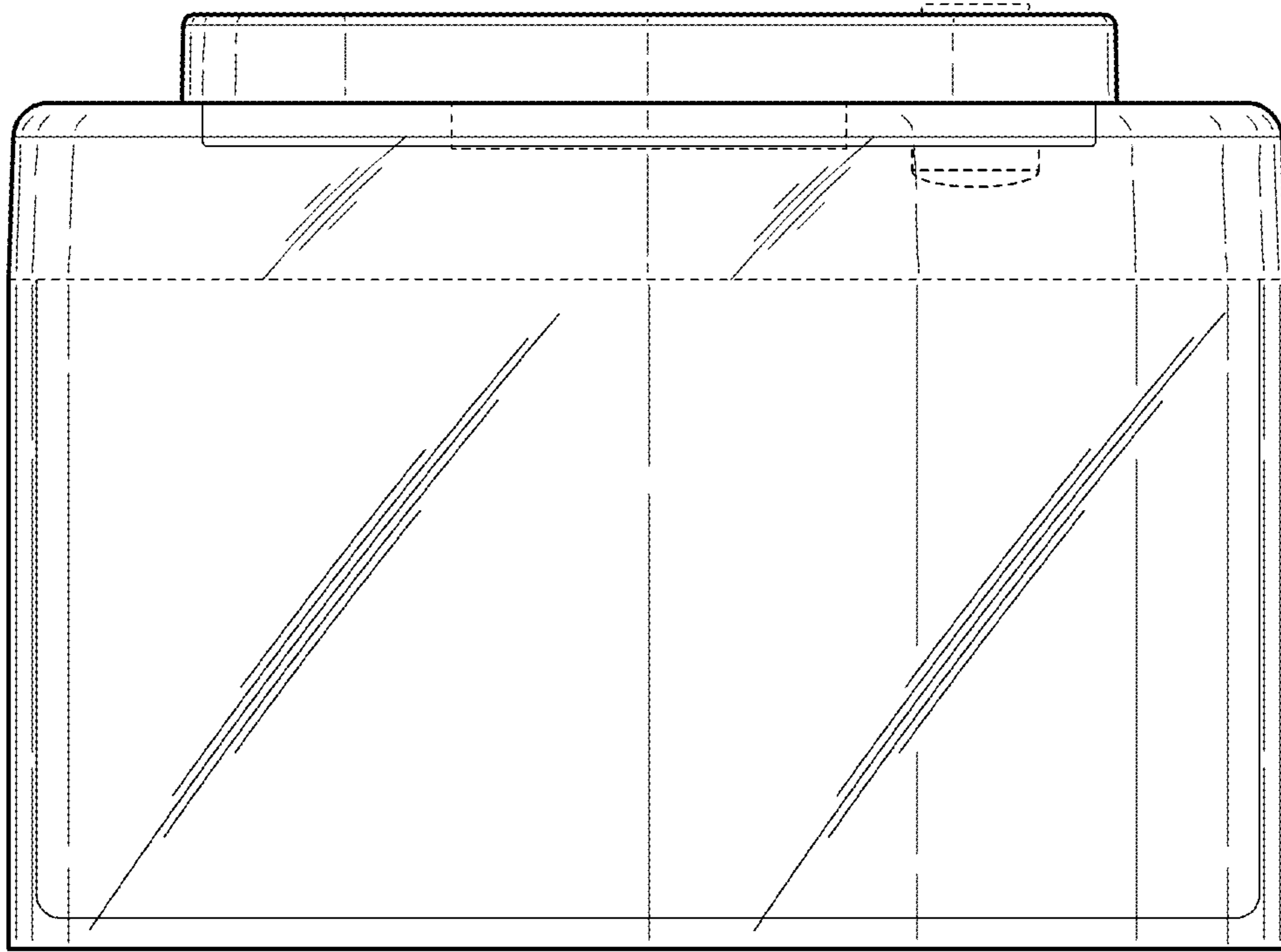


FIG. 18

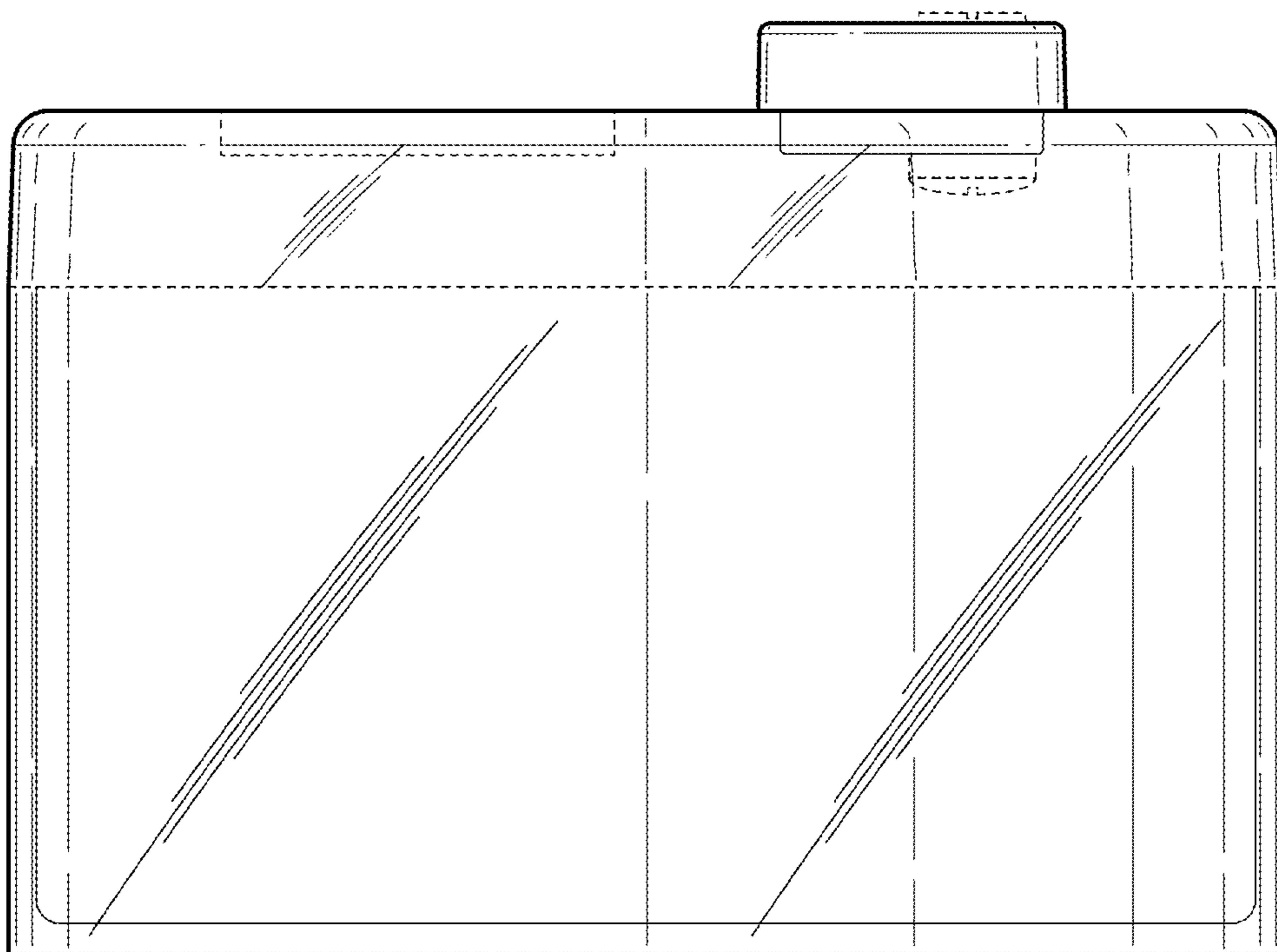


FIG. 19

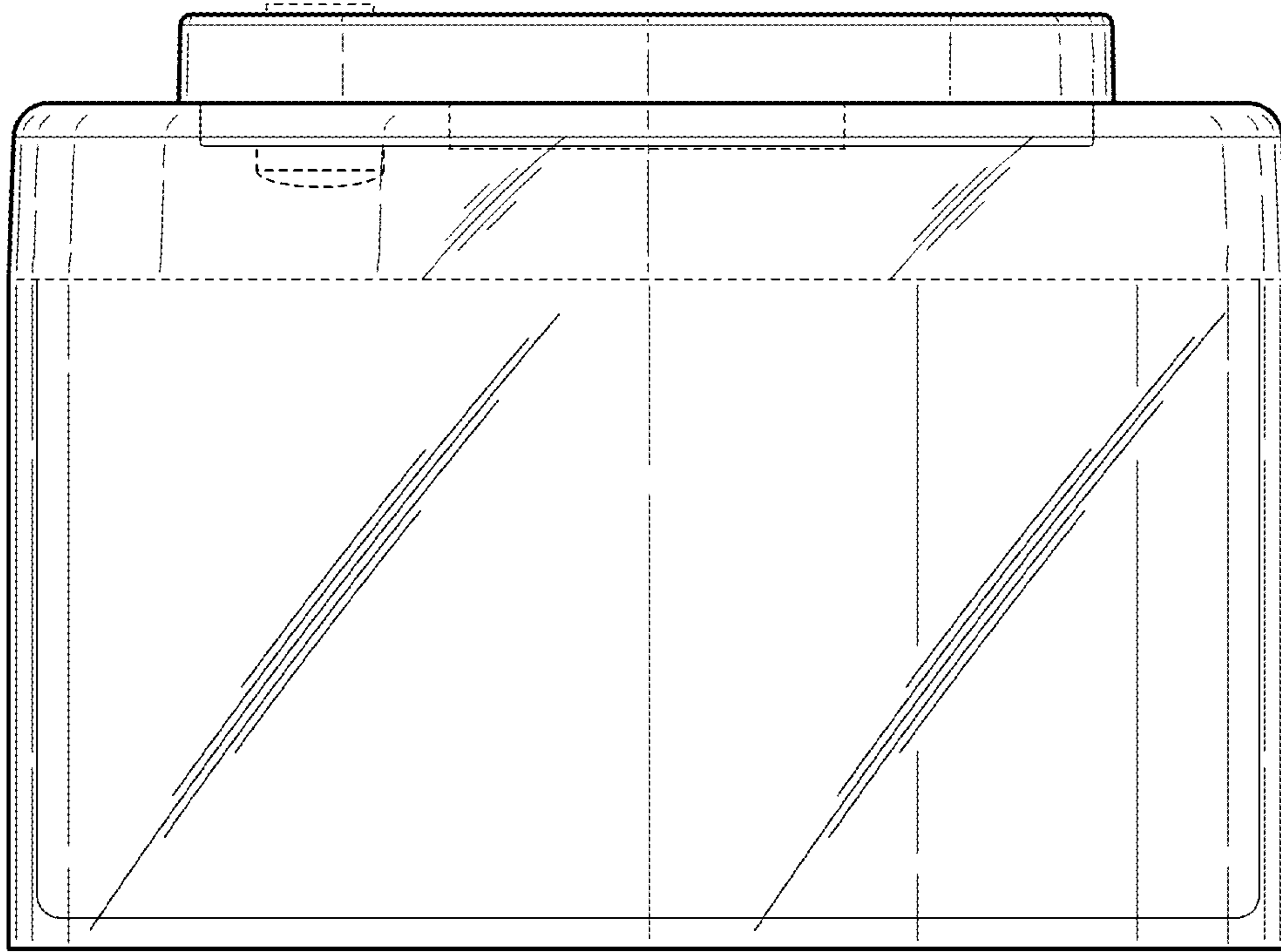


FIG. 20

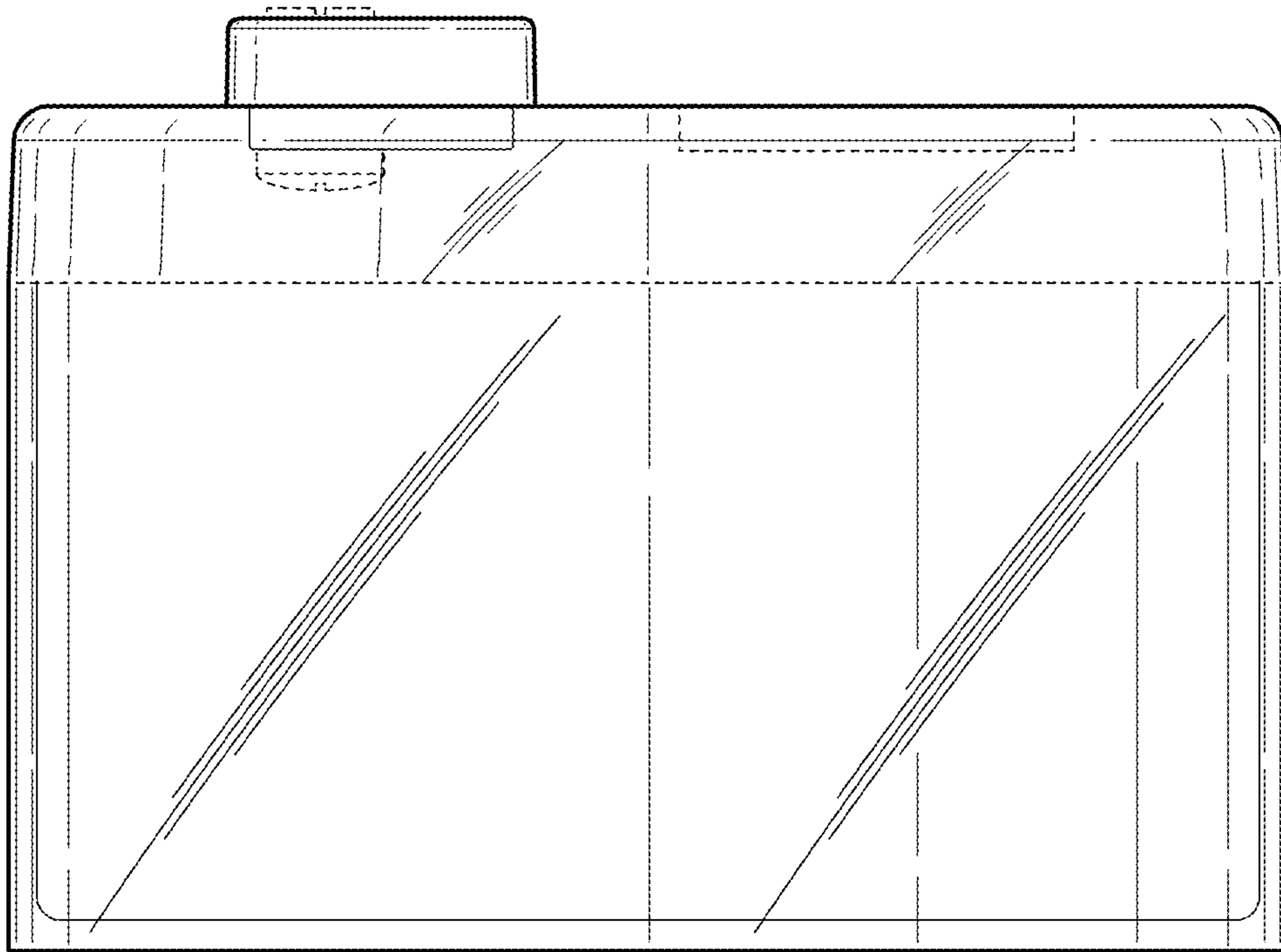


FIG. 21

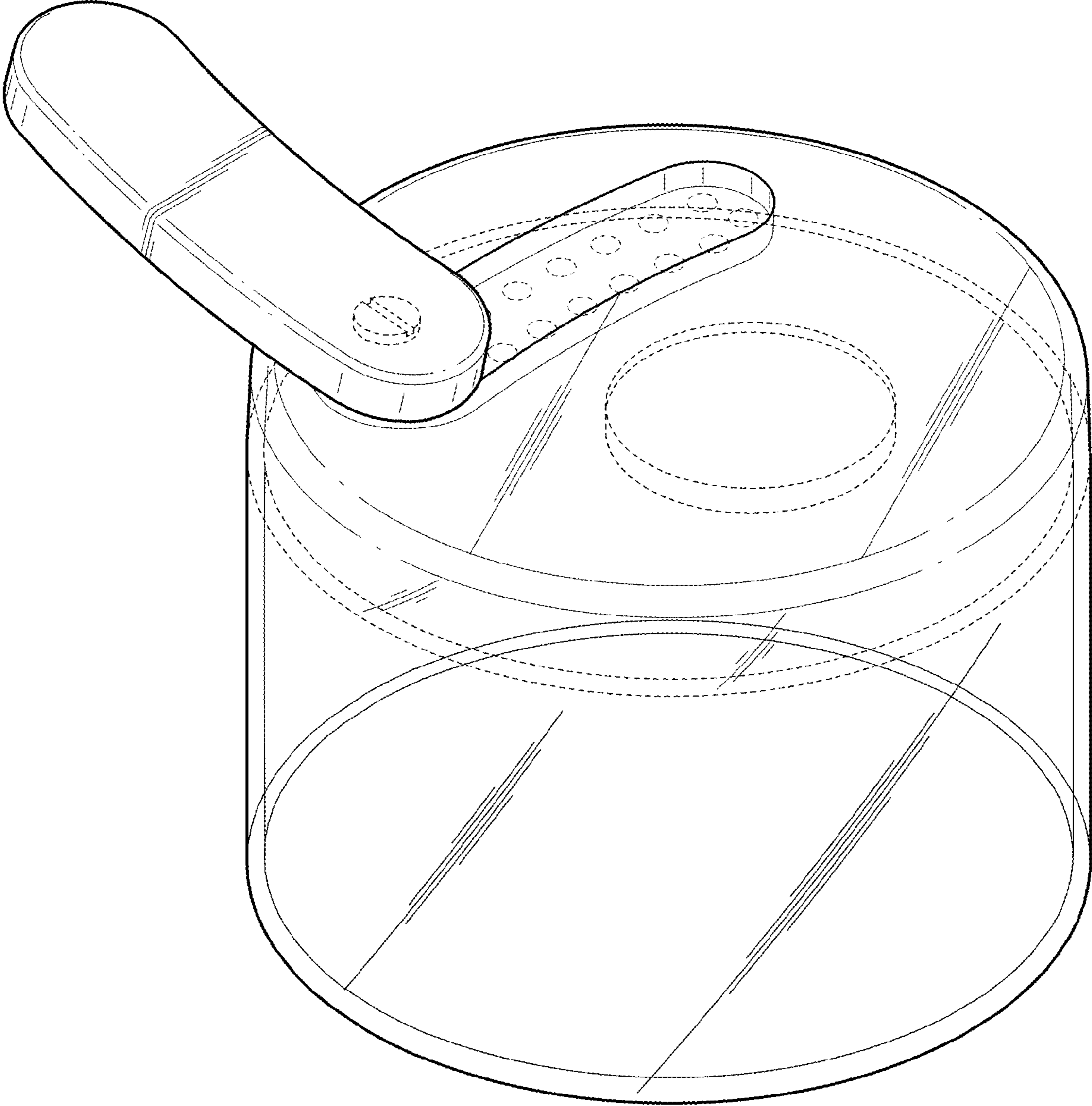


FIG. 22

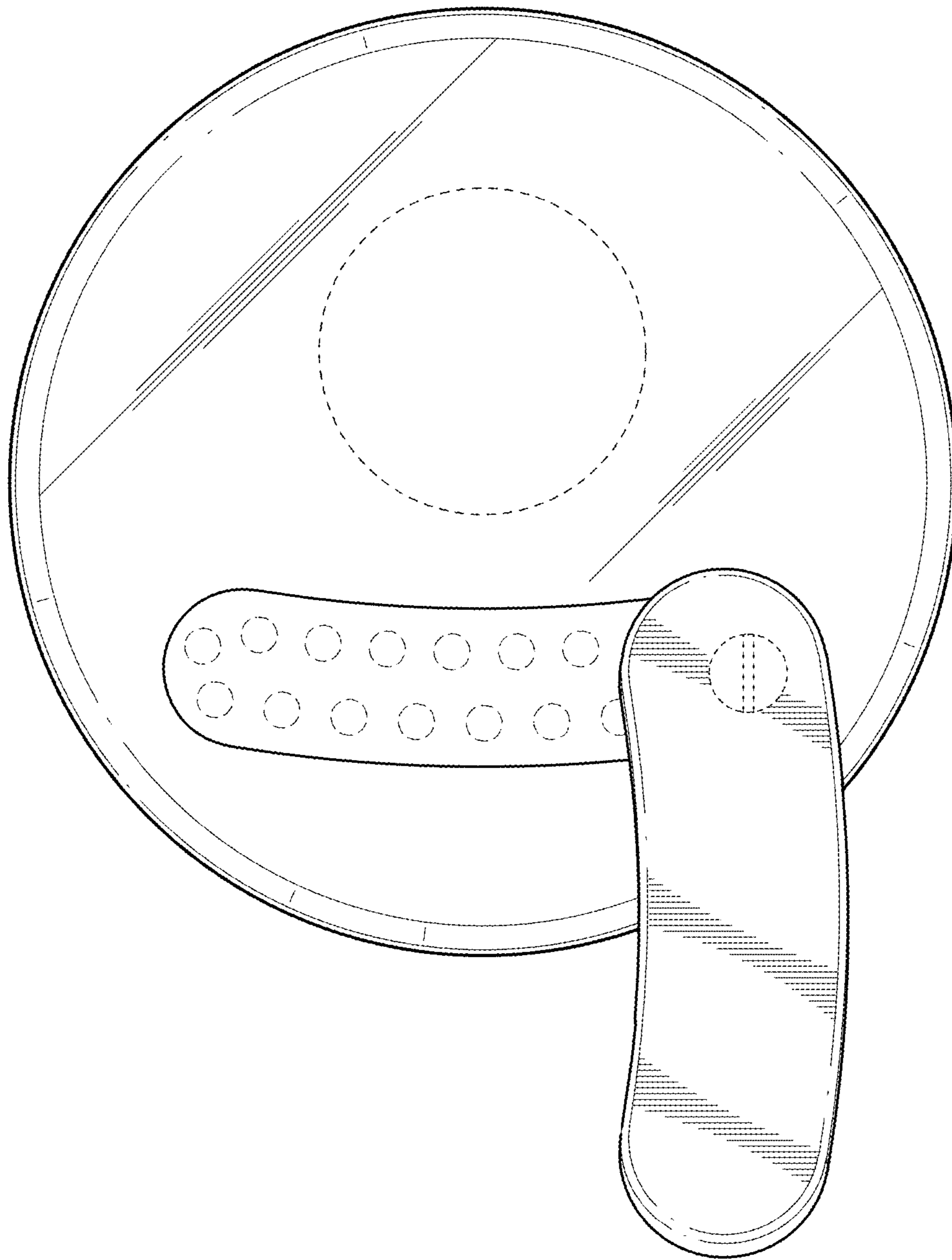


FIG. 23

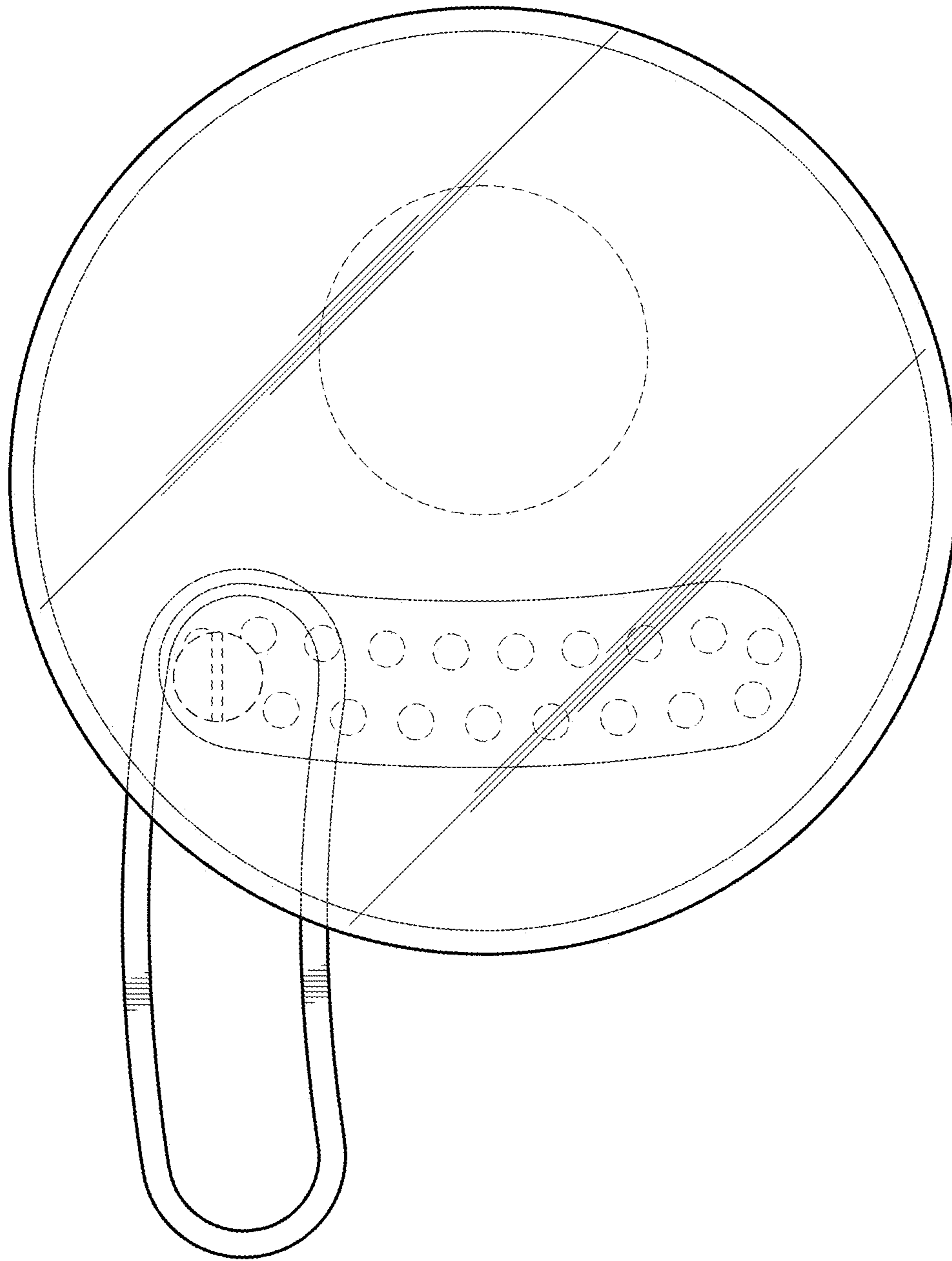


FIG. 24

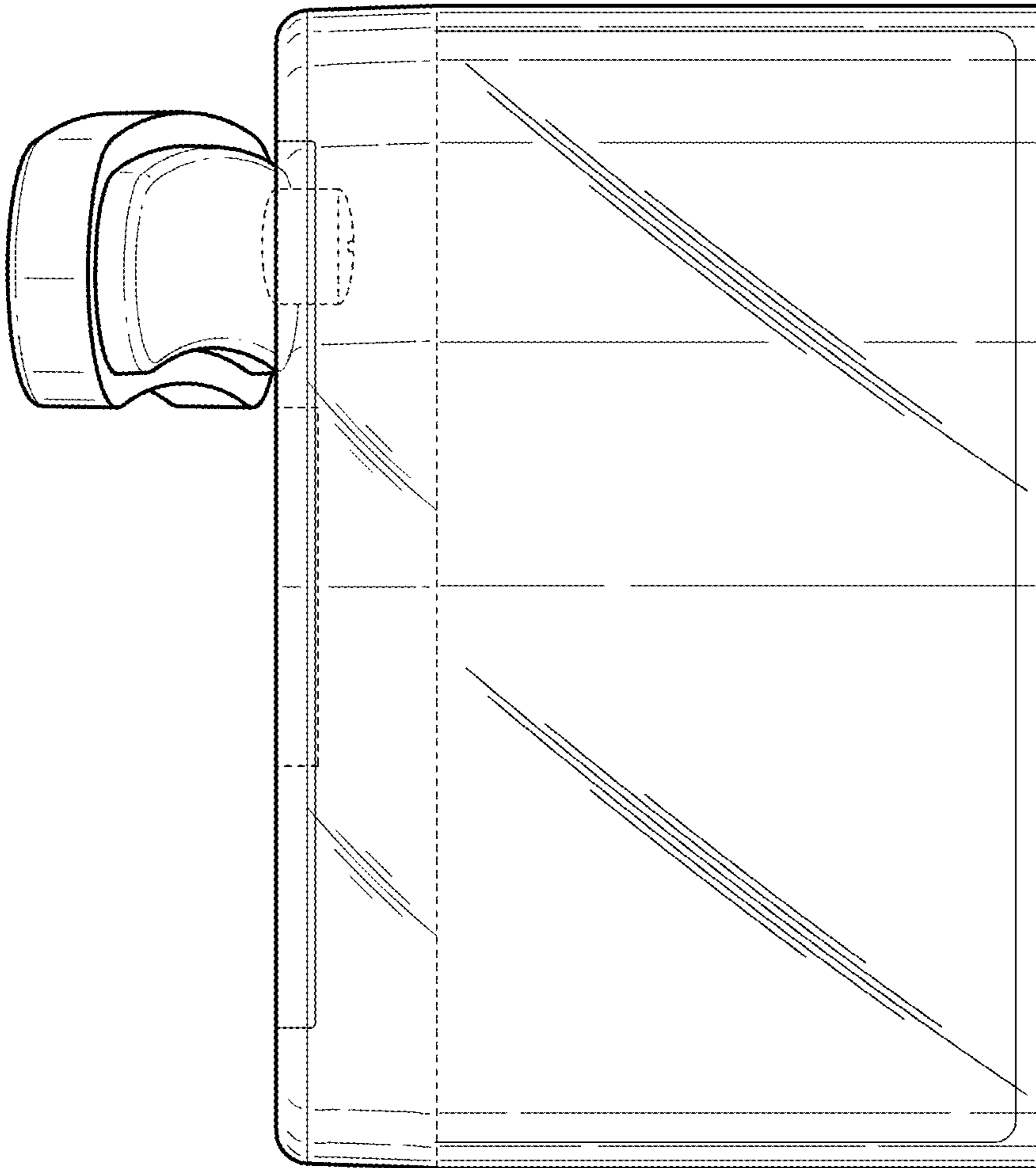


FIG. 25

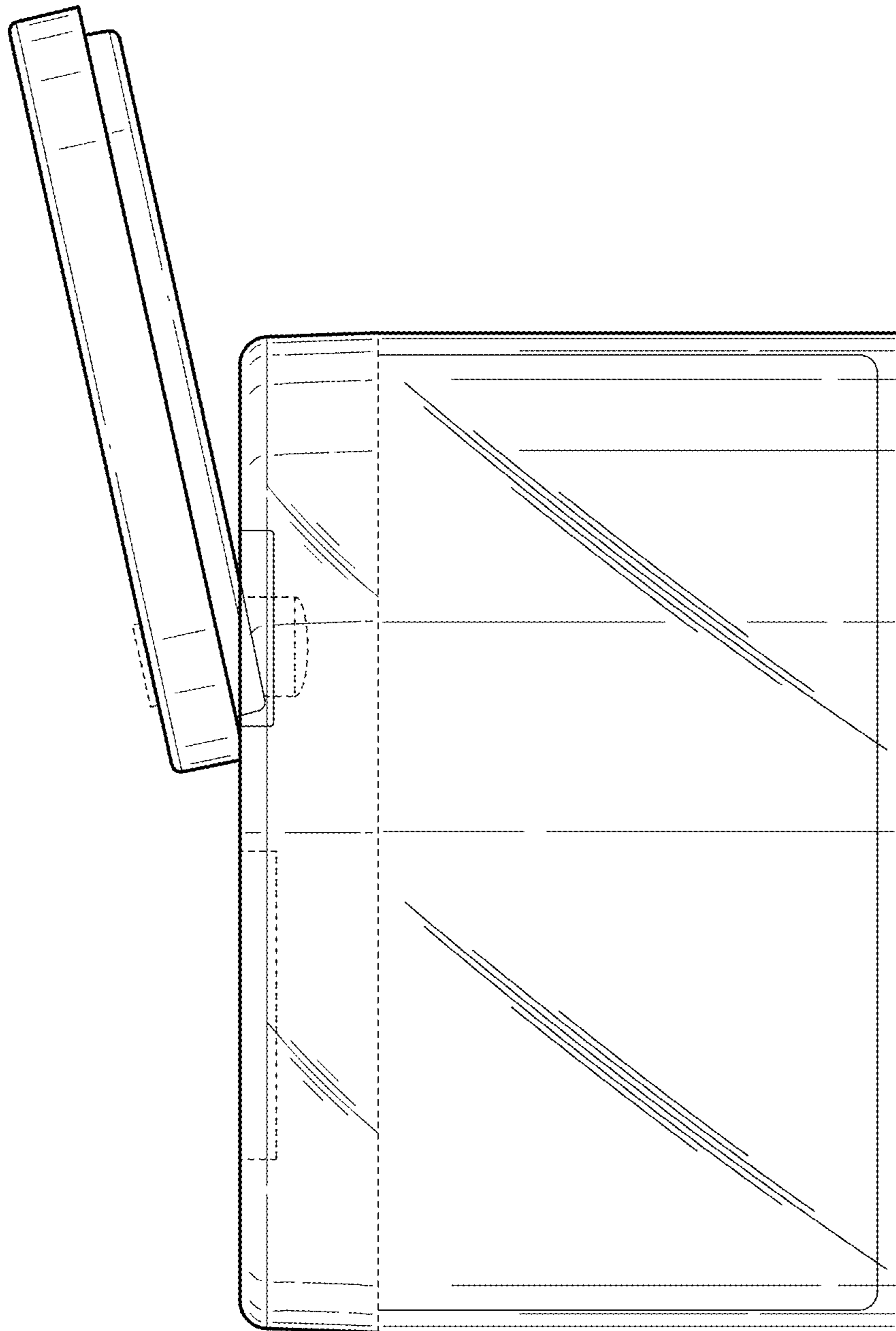


FIG. 26

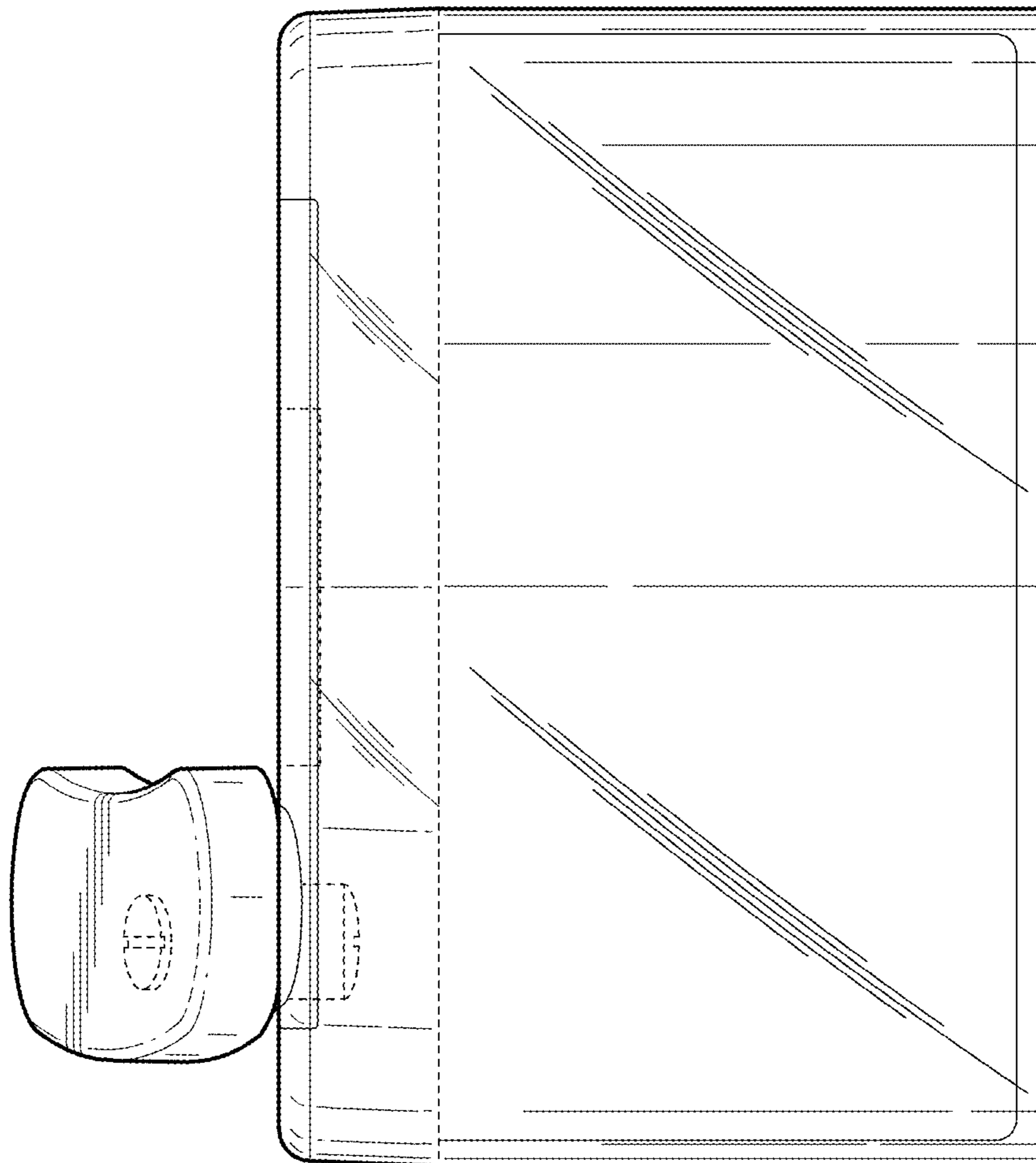


FIG. 27

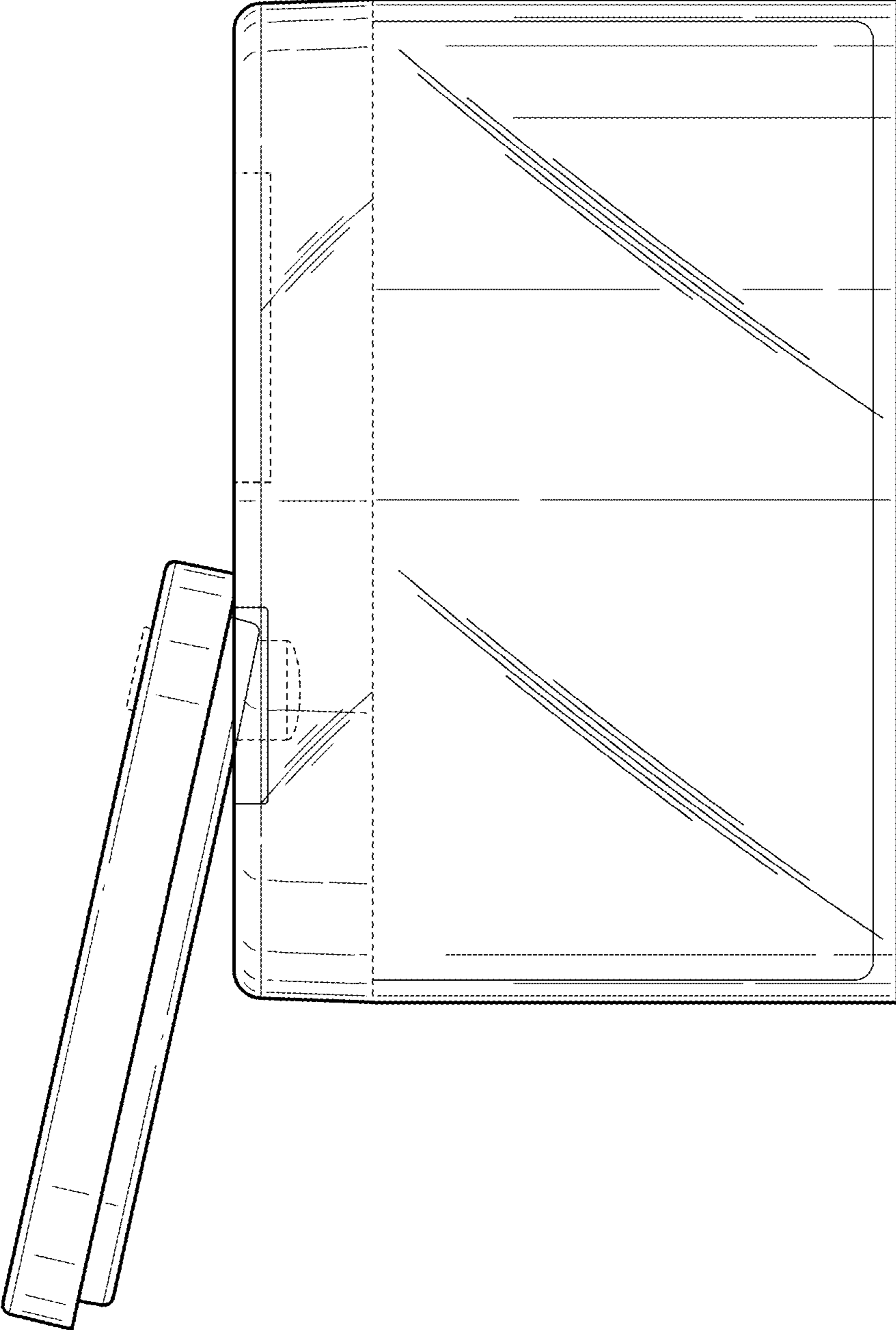


FIG. 28