



US00D908483S

(12) **United States Design Patent**
Hartley et al.

(10) **Patent No.:** **US D908,483 S**

(45) **Date of Patent:** **** Jan. 26, 2021**

(54) **CONTAINER BASE**

(71) Applicant: **The Decor Corporation Pty. Ltd.,**
Dandenong South (AU)

(72) Inventors: **Toby Hartley**, Keysborough (AU);
Alexander Schoenmakers,
Keysborough (AU); **Justin Armistead**,
Keysborough (AU)

(73) Assignee: **The Decor Corporation Pty. Ltd.,**
Dandenong South (AU)

(**) Term: **15 Years**

(21) Appl. No.: **29/700,102**

(22) Filed: **Jul. 31, 2019**

(30) **Foreign Application Priority Data**

Feb. 5, 2019 (AU) 201910590

Feb. 5, 2019 (AU) 201910591

(51) **LOC (13) Cl.** **09-03**

(52) **U.S. Cl.**
USPC **D9/428**

(58) **Field of Classification Search**

USPC D7/400, 601, 608; D9/416, 417, 420,
D9/425-429, 430, 432, 761; 206/499,
206/501, 502, 821; 220/625, 656, 669,
220/670, 674; 229/123.1, 123.2, 125.33,
229/125.35, 400-407, 915, 939
CPC . B65D 1/26; B65D 1/40; B65D 5/243; B65D
81/3453; B65D 2581/34; B65D
2581/3404; B65D 2581/3456

See application file for complete search history.

(56) **References Cited**

U.S. PATENT DOCUMENTS

4,868,360 A * 9/1989 Duncan A47J 36/027
219/728

D325,684 S * 4/1992 Deare D30/129

D391,440 S *	3/1998	Cousins	D7/360
D423,733 S *	4/2000	Choi	D30/129
D452,417 S *	12/2001	Whitmore	D7/543
D477,186 S *	7/2003	de Groote	D7/543
D508,822 S *	8/2005	Smith	D7/545
D542,591 S *	5/2007	Carlson	D7/354
D563,175 S *	3/2008	Levien	D7/545
D582,101 S *	12/2008	Shamoon	D30/129
D613,131 S *	4/2010	Chen	D7/667
D678,050 S *	3/2013	Birchmeier	D9/424

* cited by examiner

Primary Examiner — Janice Patyk

(74) *Attorney, Agent, or Firm* — Stevens & Showalter
LLP

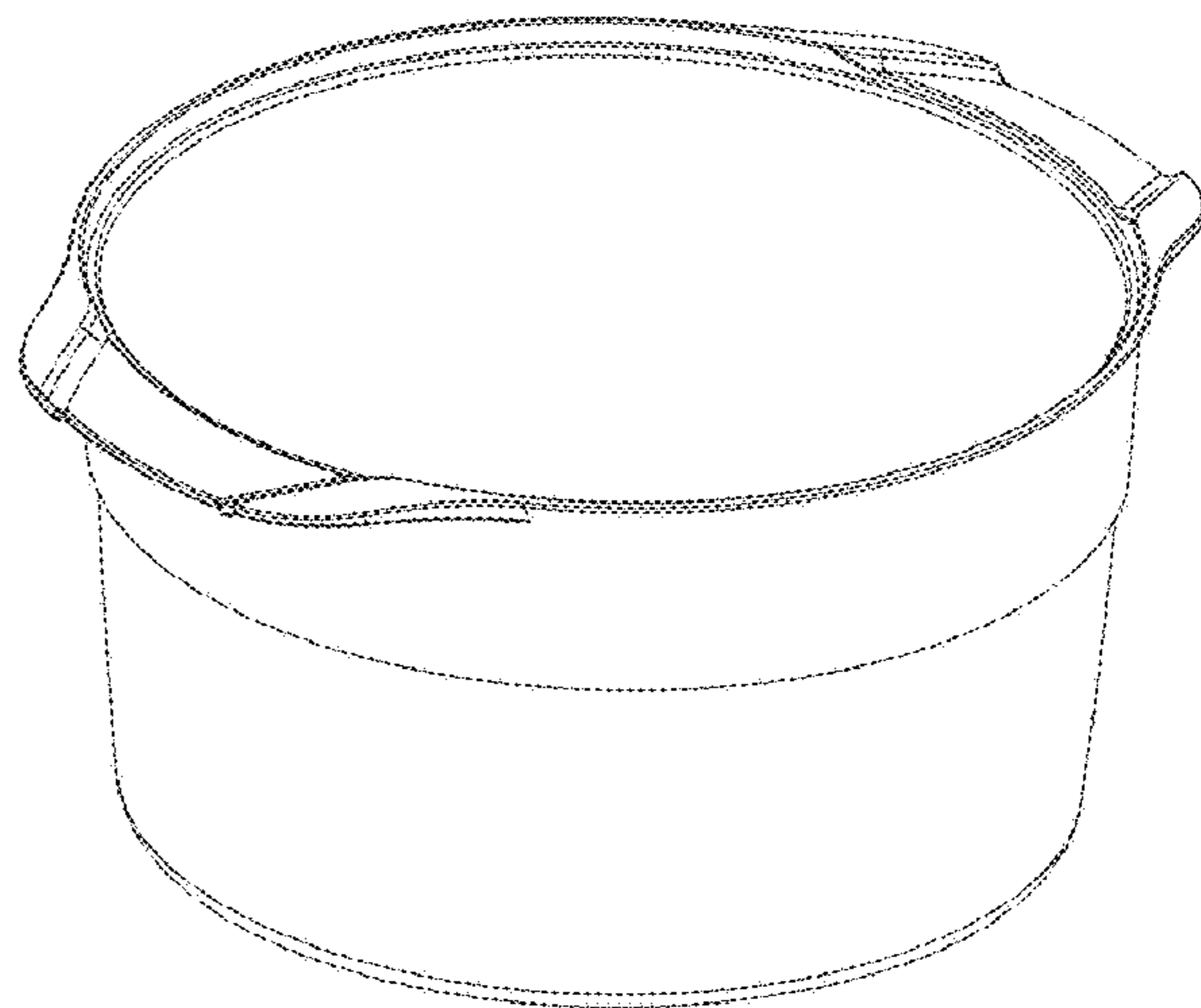
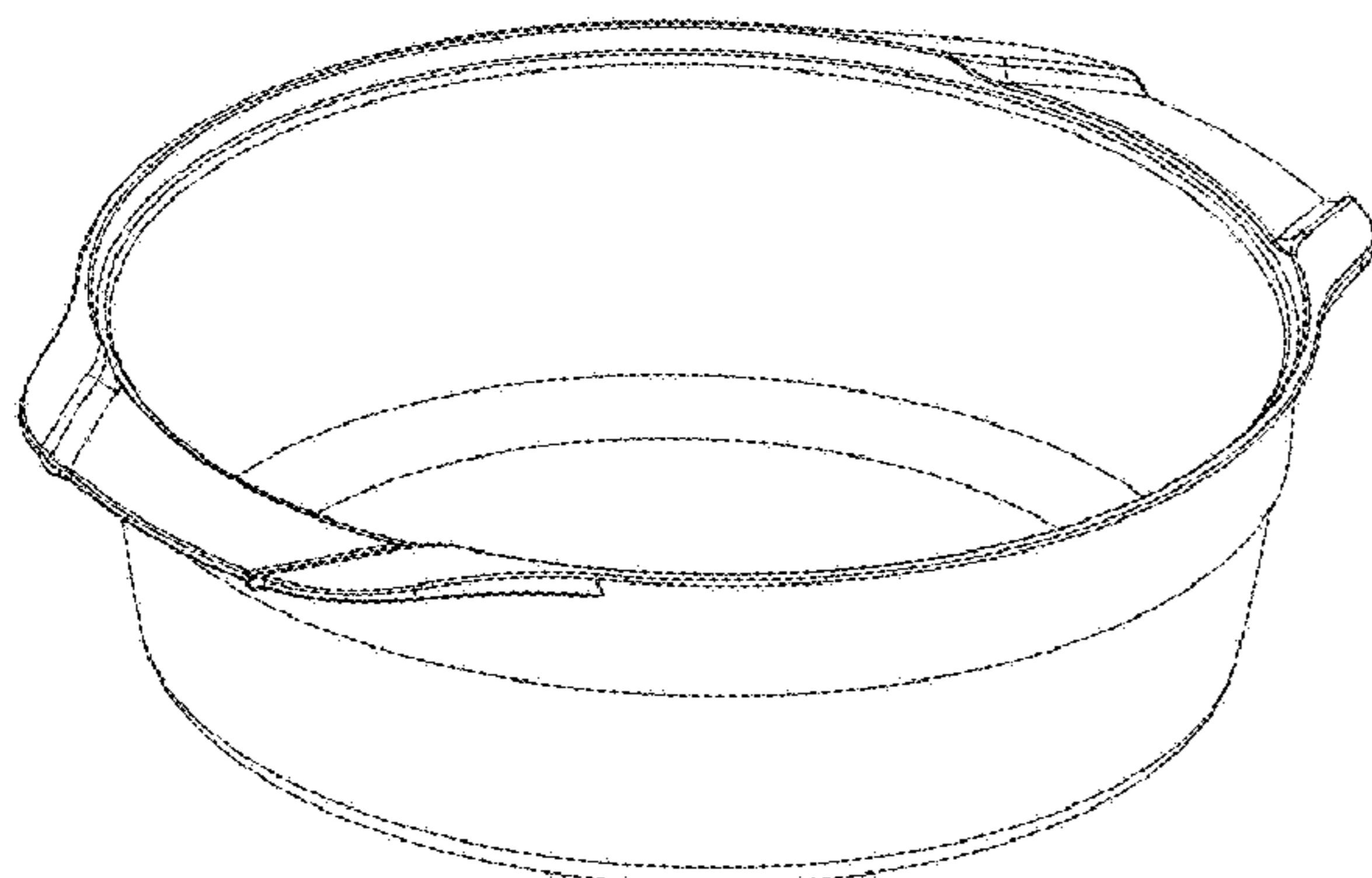
(57) **CLAIM**

The ornamental design for a container base, as shown and described.

DESCRIPTION

FIG. 1 is a top, front perspective view of embodiment one, of a container base, showing our new design;
FIG. 2 is a bottom, rear perspective view thereof;
FIG. 3 is a top plan view thereof;
FIG. 4 is a bottom plan view thereof;
FIG. 5 is a front elevation view thereof;
FIG. 6 is a rear elevation view thereof;
FIG. 7 is left side elevation view thereof;
FIG. 8 is a right side elevation view thereof;
FIG. 9 is a top, front perspective view of embodiment two, of a container base, showing our new design;
FIG. 10 is a bottom, rear perspective view thereof;
FIG. 11 is a top plan view thereof;
FIG. 12 is a bottom plan view thereof;
FIG. 13 is a front elevation view thereof;
FIG. 14 is a rear elevation view thereof;
FIG. 15 is left side elevation view thereof; and,
FIG. 16 is a right side elevation view thereof.

1 Claim, 8 Drawing Sheets



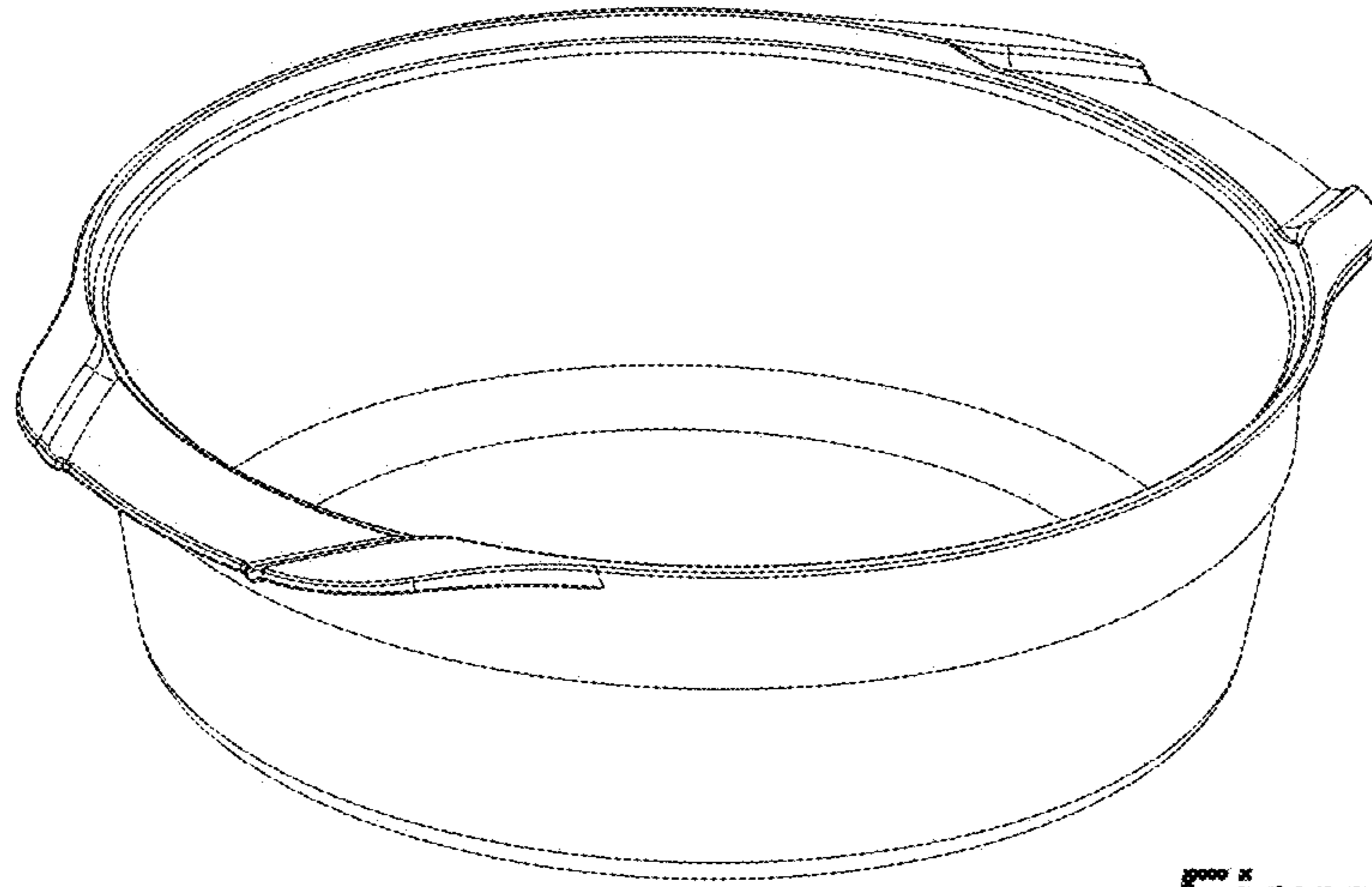


Figure 1

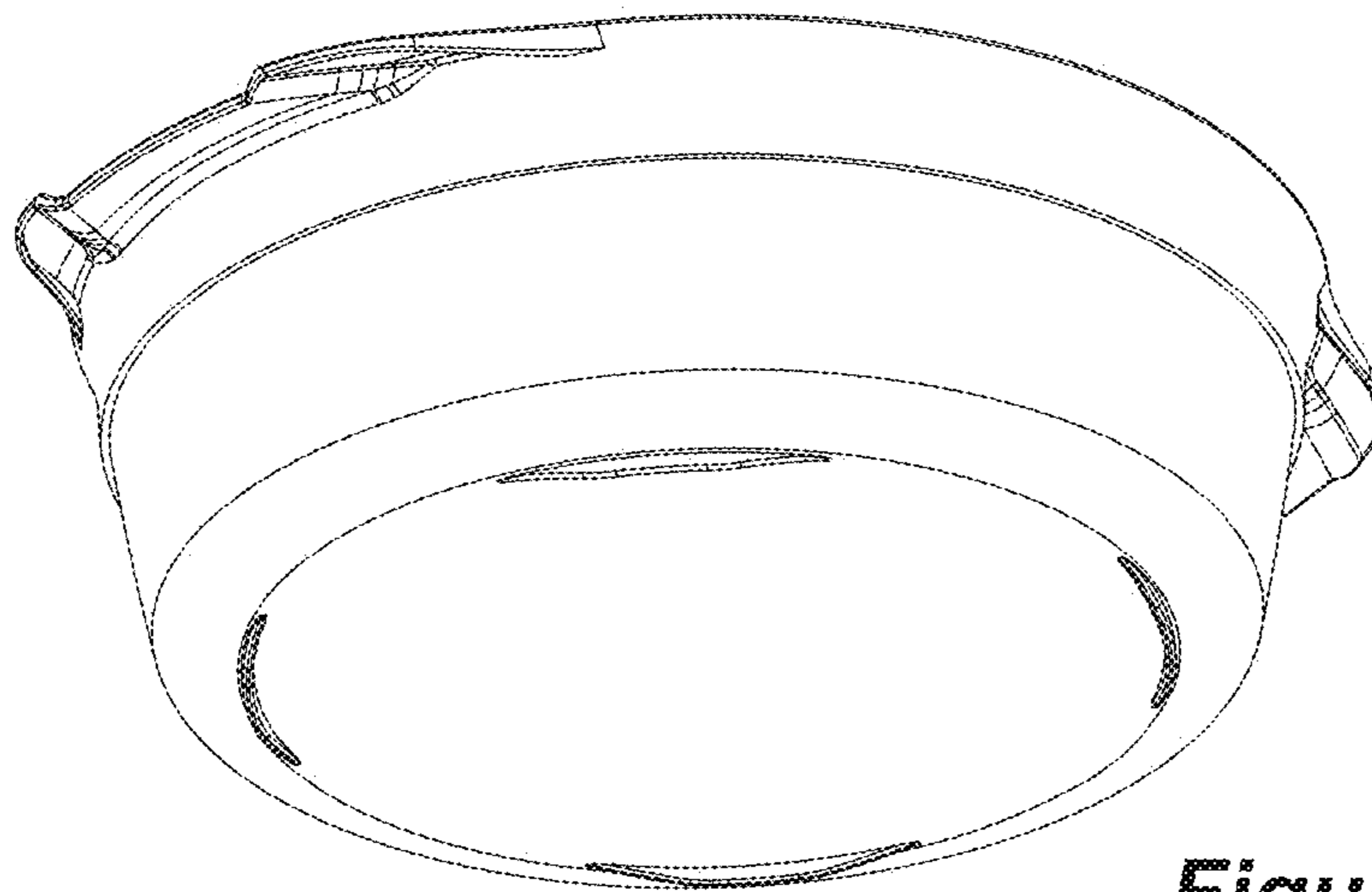


Figure 2

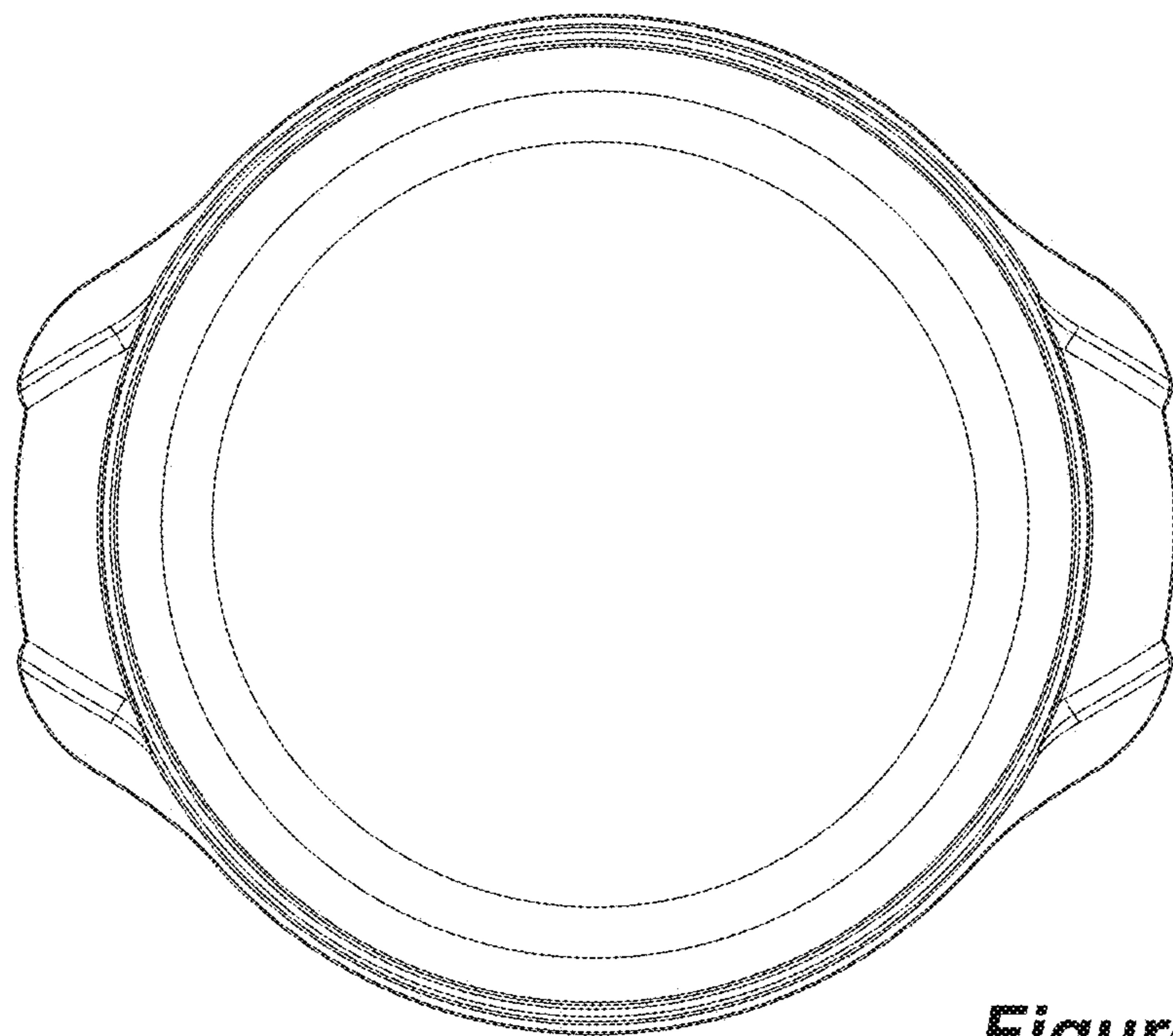


Figure 3

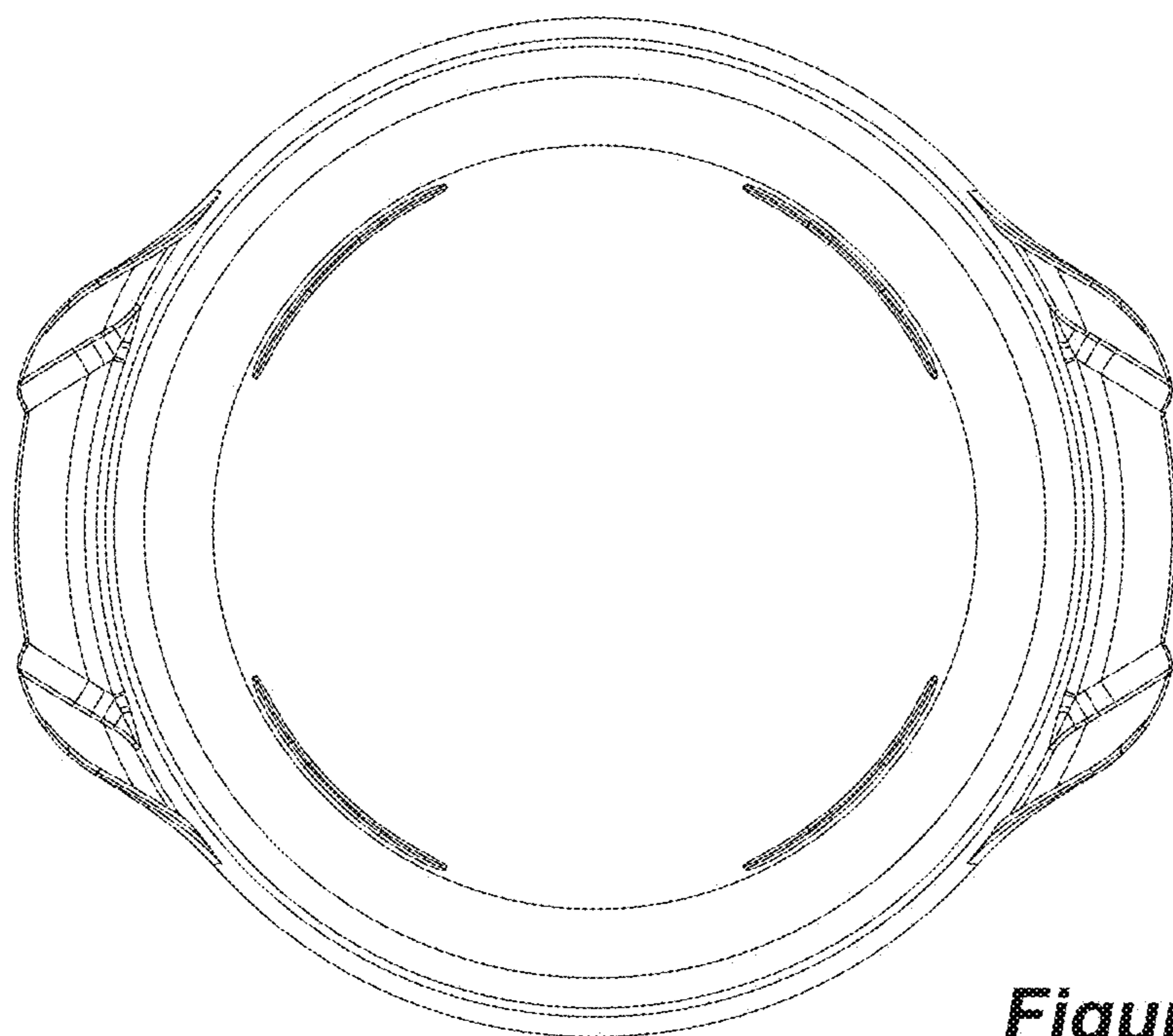


Figure 4

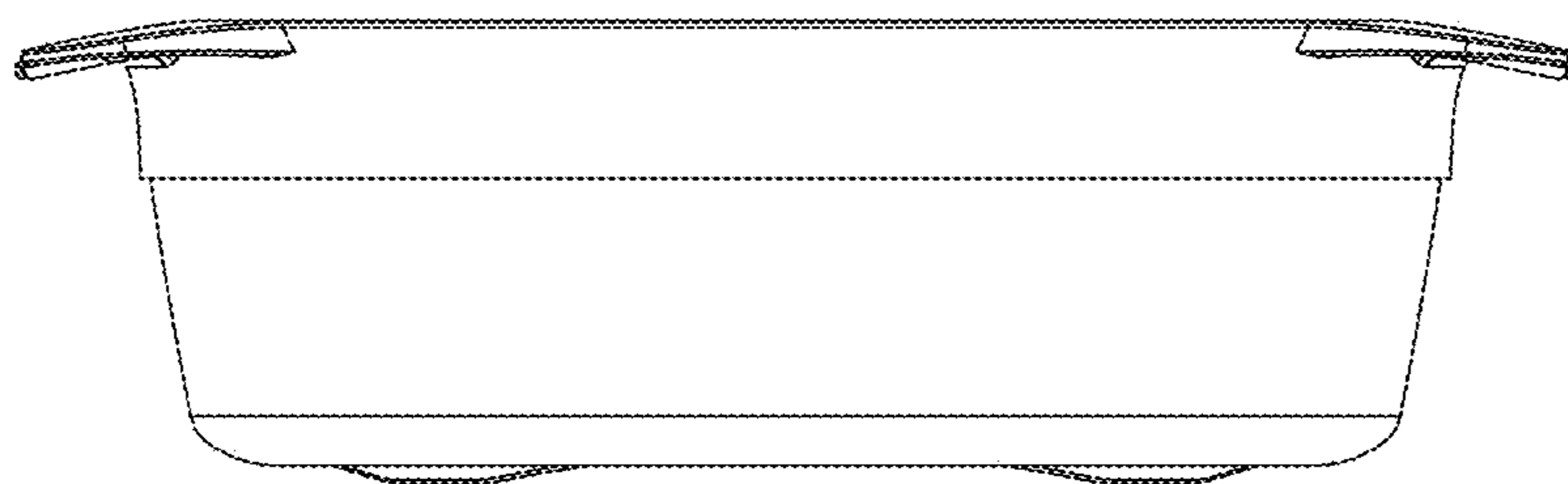


Figure 5

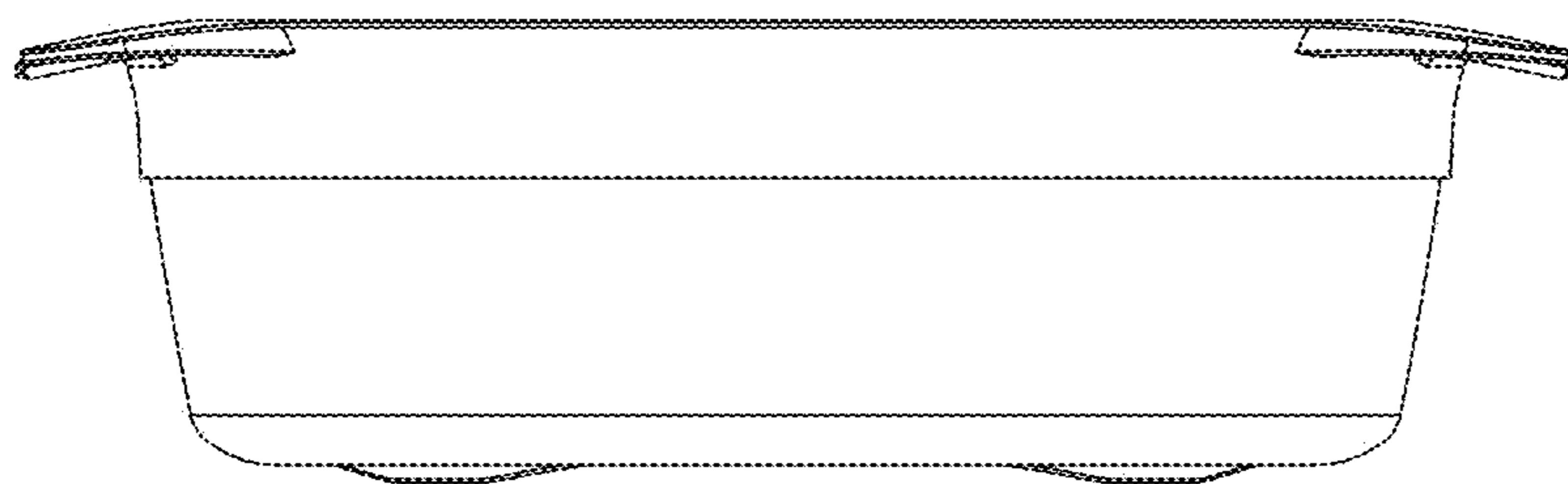


Figure 6

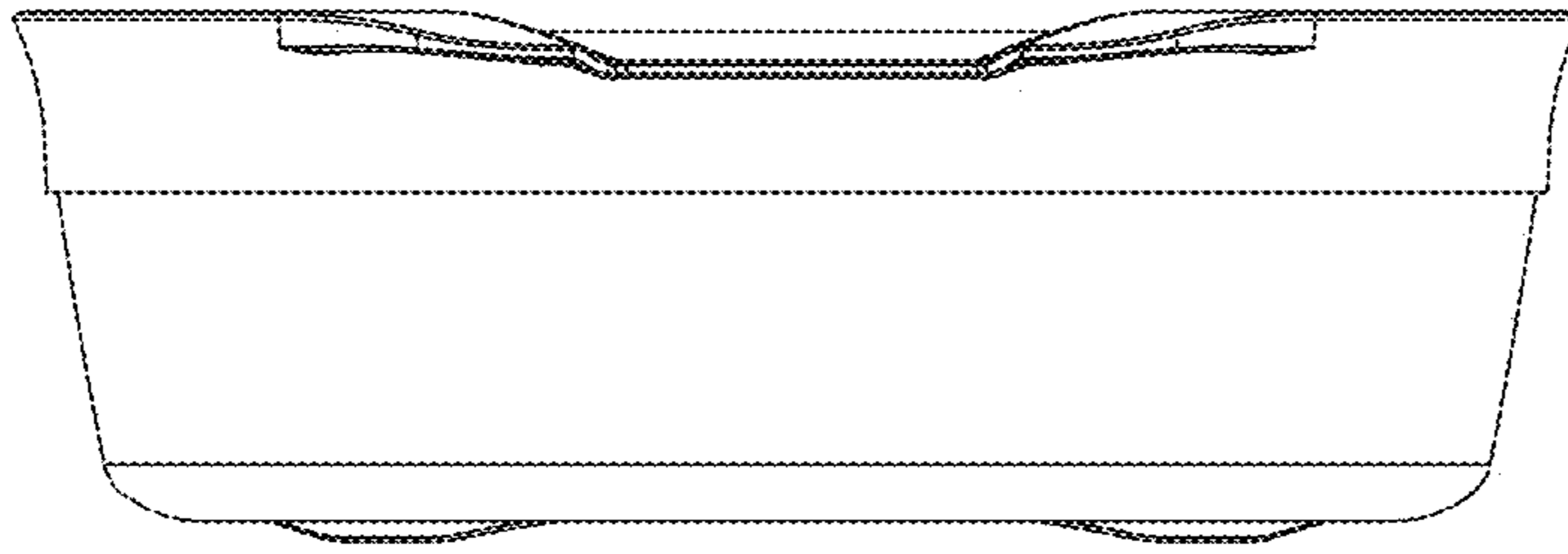


Figure 7

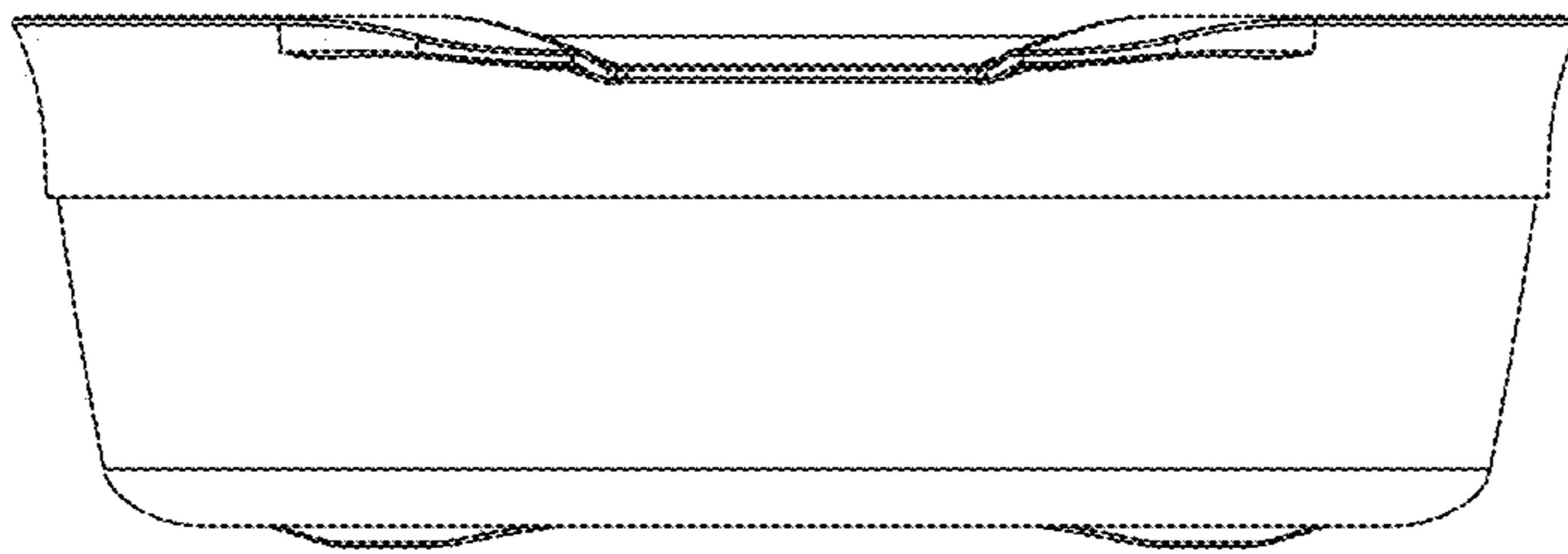


Figure 8

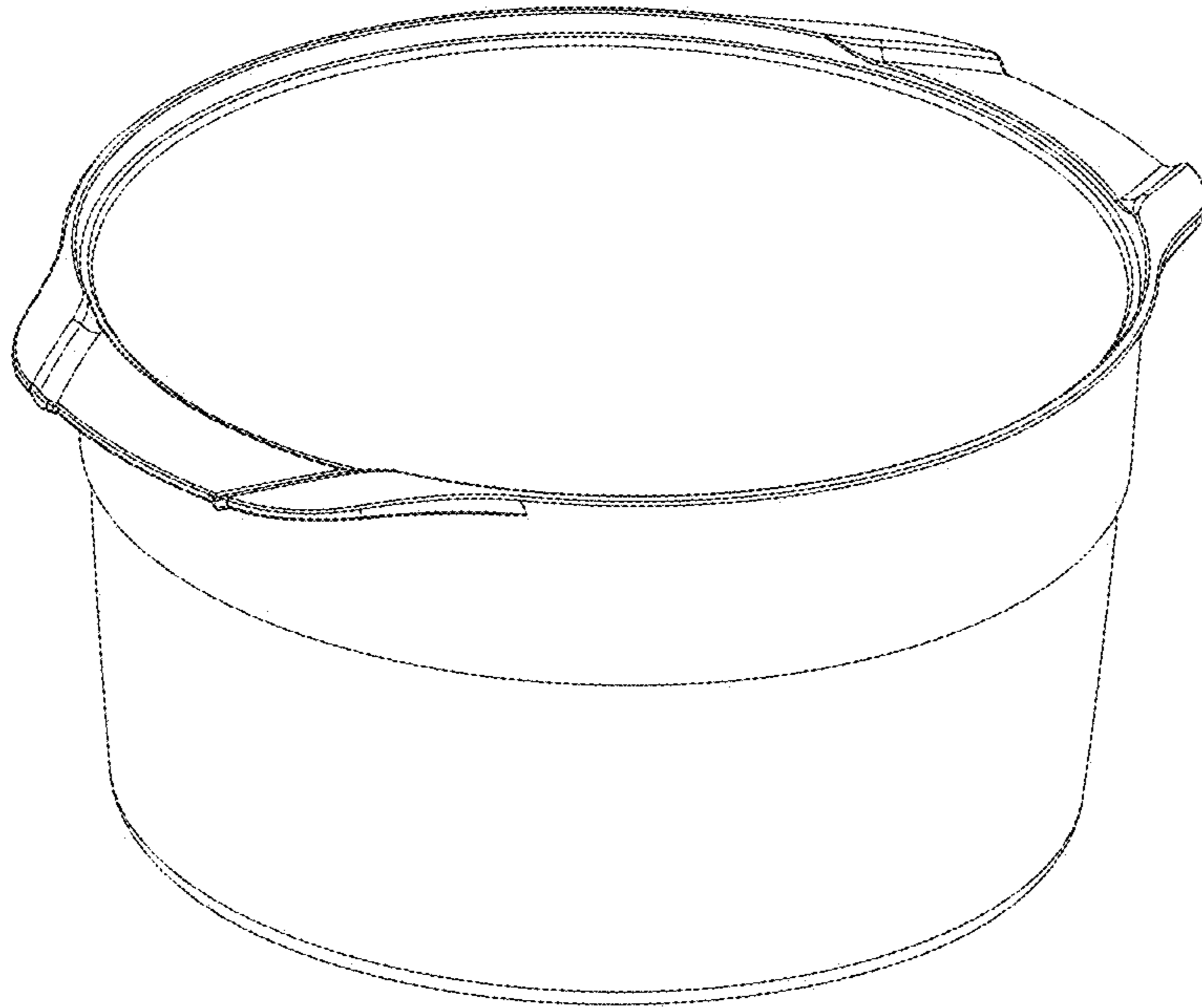


Figure 9

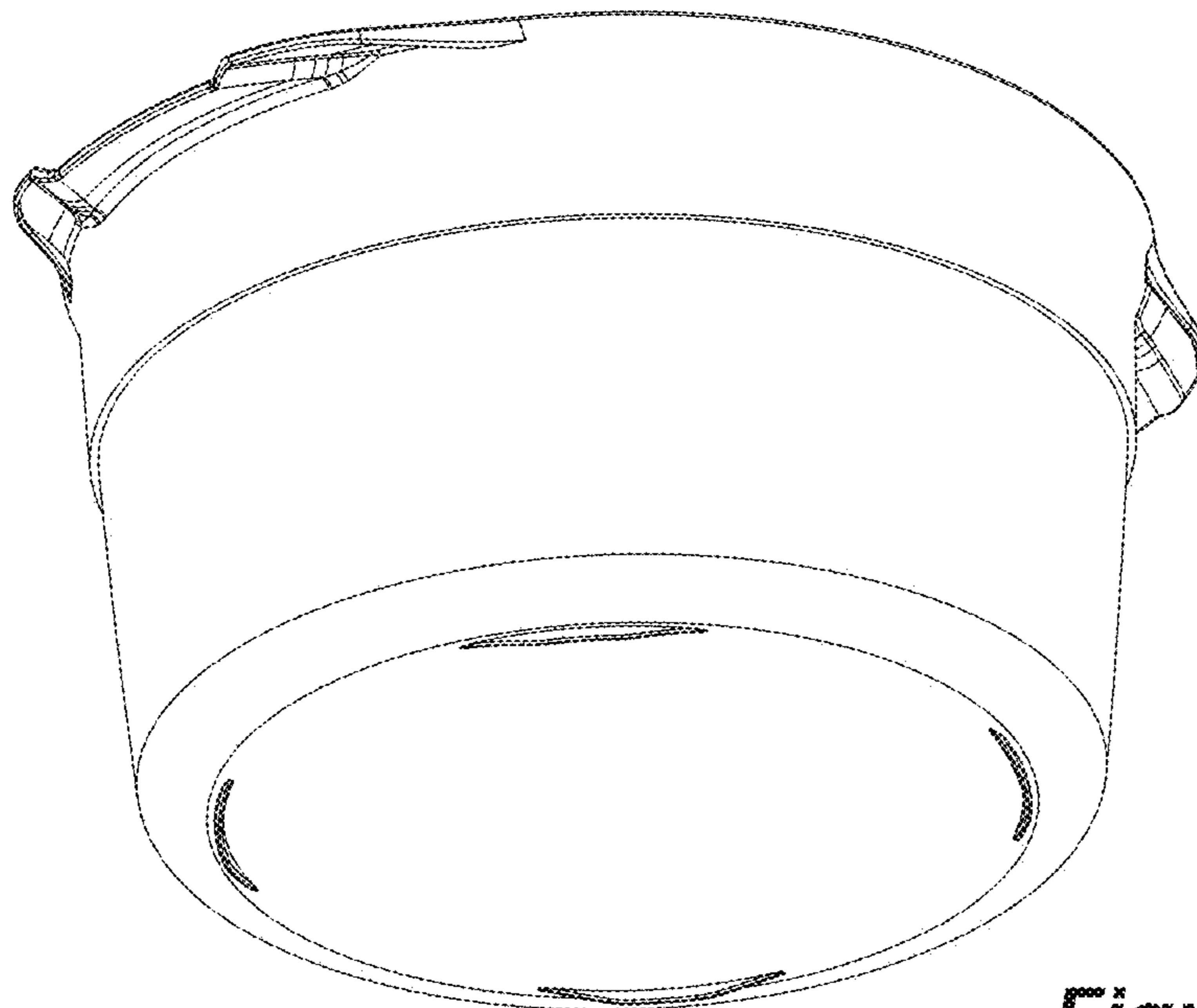


Figure 10

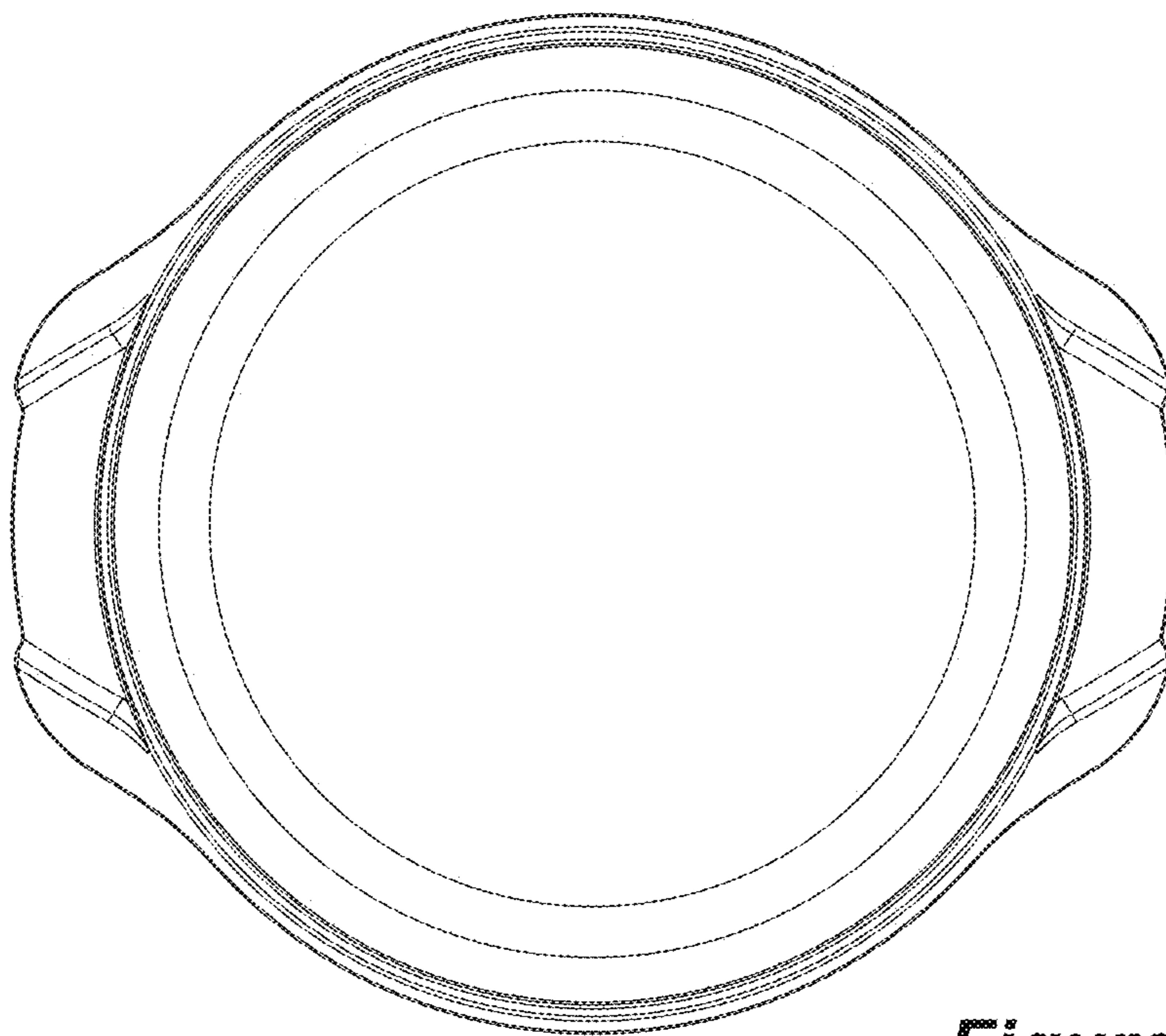


Figure 11

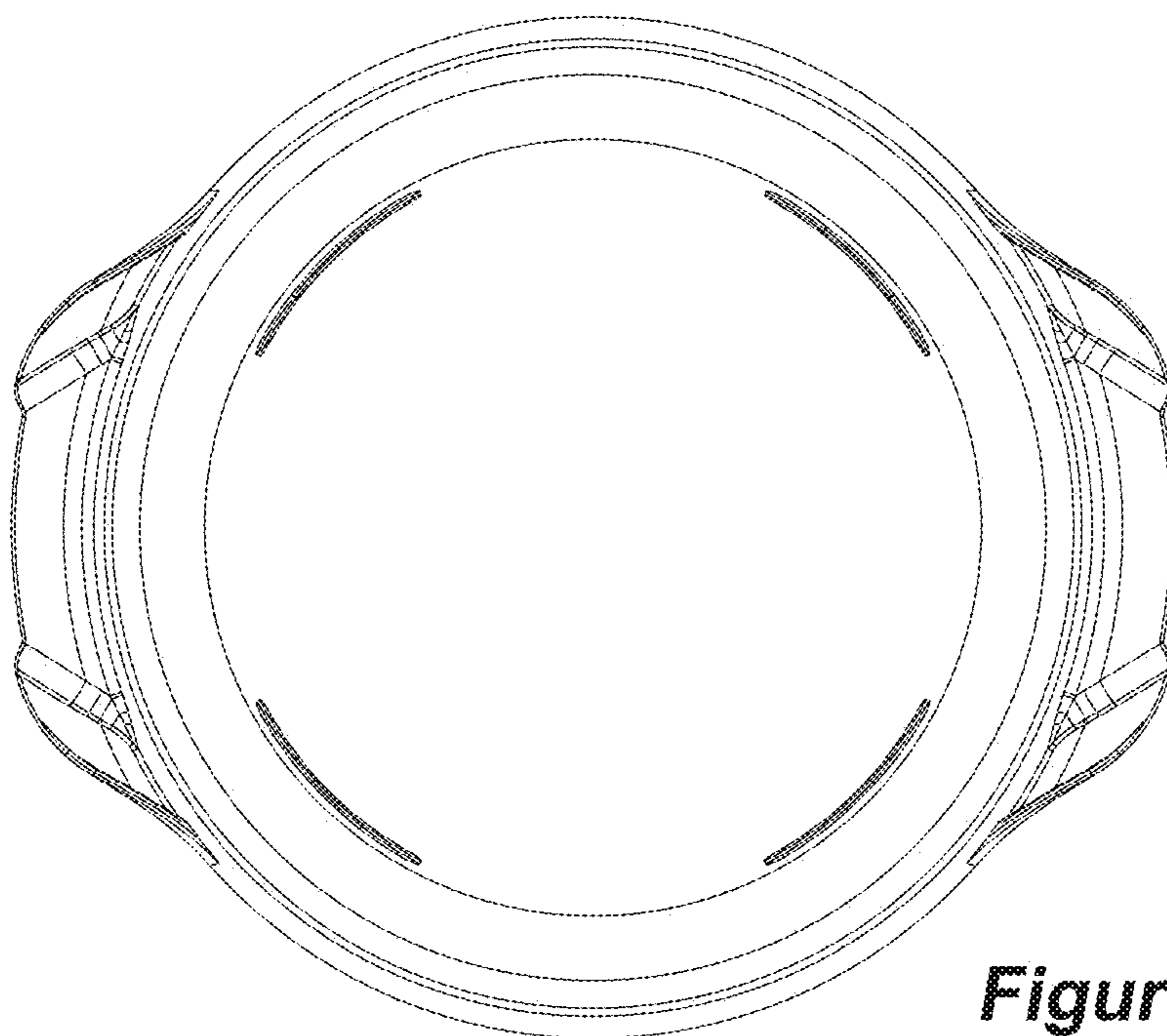


Figure 12

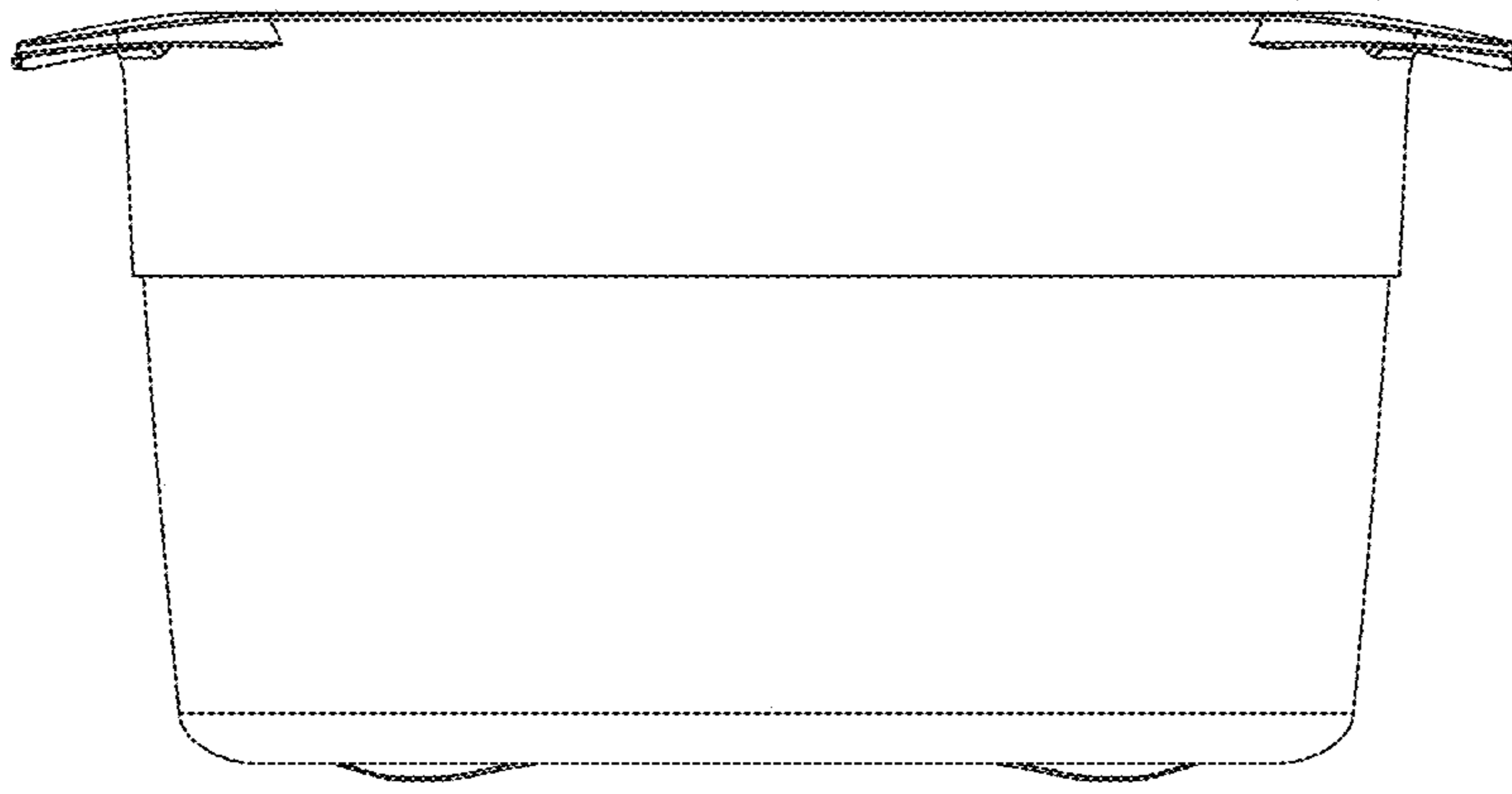


Figure 13

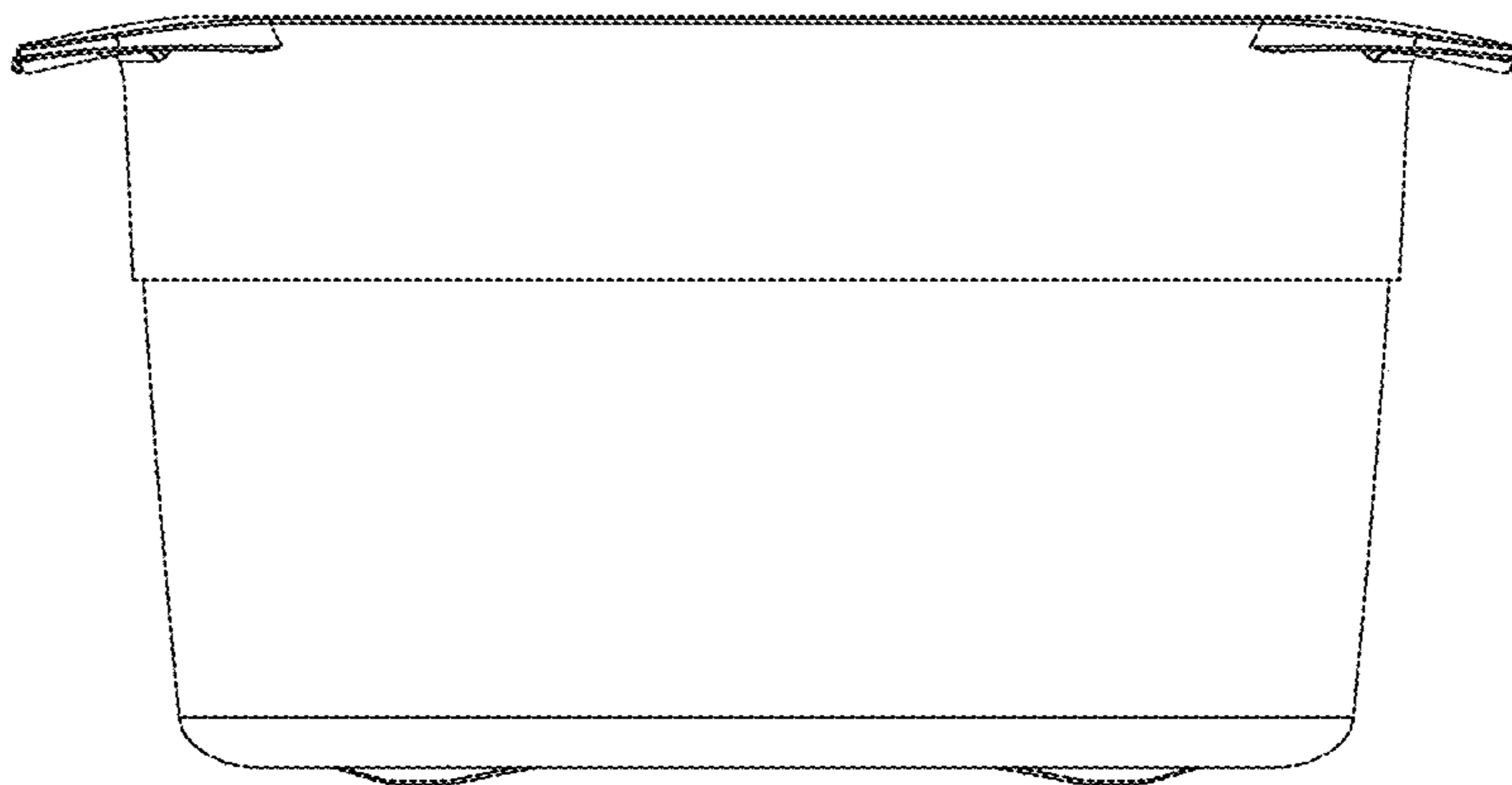


Figure 14

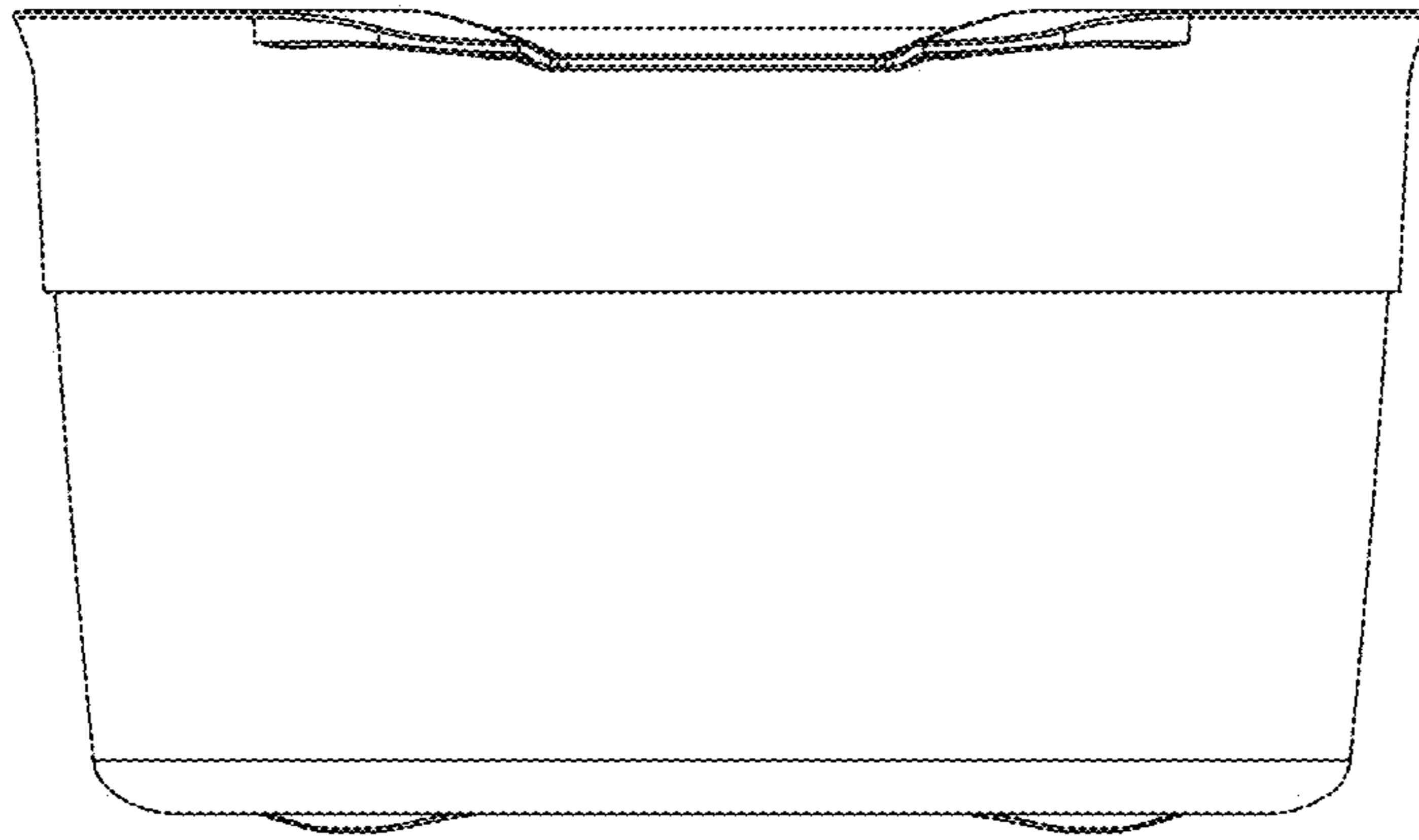


Figure 15

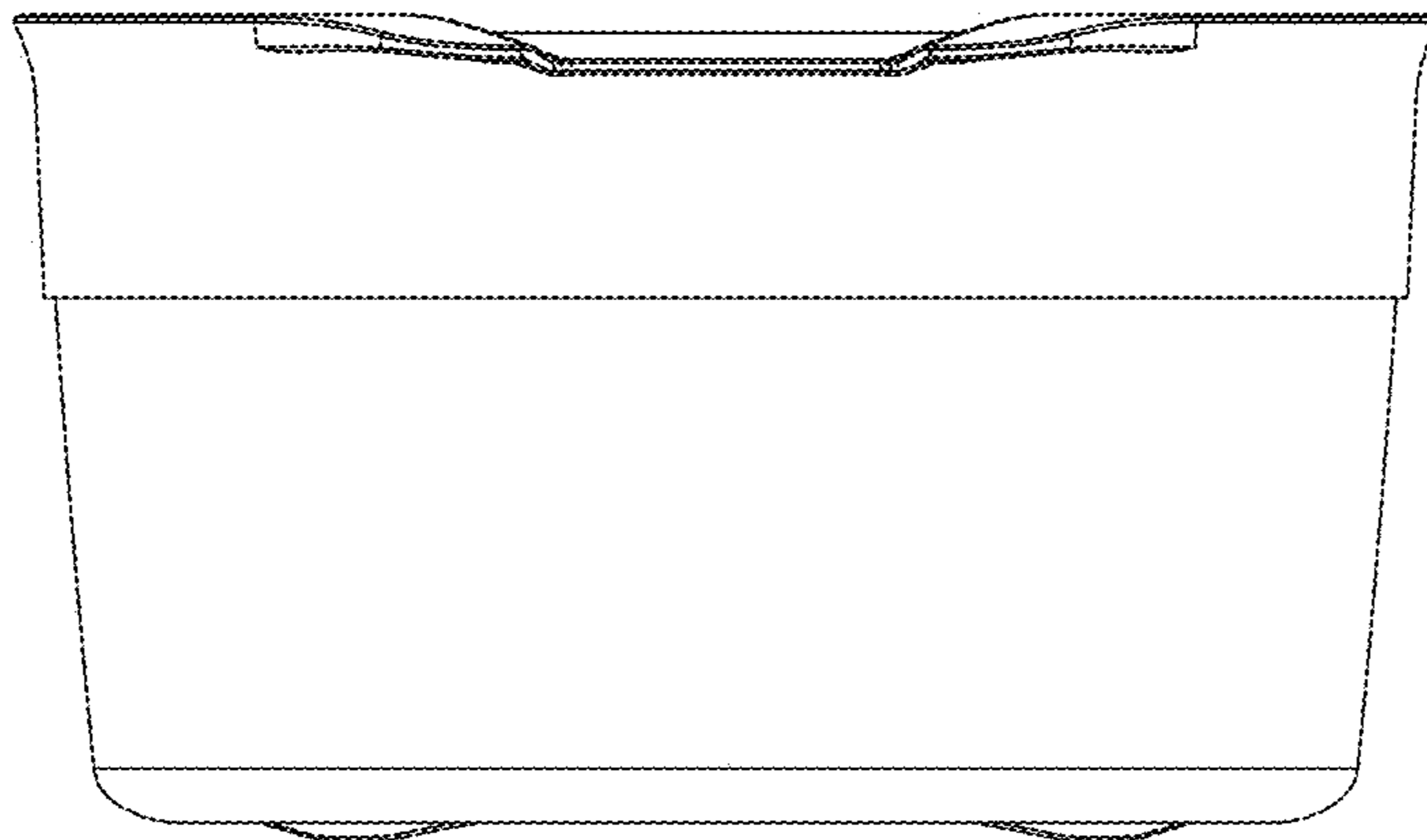


Figure 16