



US00D908481S

(12) **United States Design Patent**
Fink et al.

(10) **Patent No.:** **US D908,481 S**

(45) **Date of Patent:** **** Jan. 26, 2021**

(54) **TATTOO INK CUP**

(71) Applicants: **Bradley Lewis Fink**, St. Petersburg, FL
(US); **Shane Stevens**, Rochester, NY
(US)

(72) Inventors: **Bradley Lewis Fink**, St. Petersburg, FL
(US); **Shane Stevens**, Rochester, NY
(US)

(**) Term: **15 Years**

(21) Appl. No.: **29/684,448**

(22) Filed: **Mar. 21, 2019**

(51) **LOC (13) Cl.** **09-03**

(52) **U.S. Cl.**
USPC **D9/425**

(58) **Field of Classification Search**
USPC D7/400, 601, 608; D9/416, 417, 420,
D9/425-429, 430, 432, 761; 206/499,
206/501, 502, 821; 220/625, 656, 669,
220/670, 674; 229/123.1, 123.2, 125.33,
229/125.35, 400-407, 915, 939
CPC . B65D 1/26; B65D 1/40; B65D 5/243; B65D
81/3453; B65D 2581/34; B65D
2581/3404; B65D 2581/3456
See application file for complete search history.

(56) **References Cited**

U.S. PATENT DOCUMENTS

4,691,820 A * 9/1987 Martinez B65D 75/326
206/205
D334,536 S * 4/1993 Long D9/425

D450,240 S * 11/2001 Haag D9/416
D459,222 S * 6/2002 Mello D9/415
D510,263 S * 10/2005 Isono D9/416
D522,355 S * 6/2006 Castellanos D9/418
D655,154 S * 3/2012 Amos D9/425
8,459,452 B1 * 6/2013 Barth B65D 23/001
206/224
D758,180 S * 6/2016 Wintmolders D9/415
D764,906 S * 8/2016 Lee D9/425
D848,869 S * 5/2019 Alvarez D10/64

* cited by examiner

Primary Examiner — Janice Patyk

(74) *Attorney, Agent, or Firm* — Edward P. Dutkiewicz

(57) **CLAIM**

The ornamental design for a tattoo ink cup, as shown and described.

DESCRIPTION

FIG. 1 is a front elevational view of a tattoo ink cup, showing our new design;
FIG. 2 is a rear elevational view;
FIG. 3 is a left side elevational view;
FIG. 4 is a right side elevational view thereof;
FIG. 5 is a top plan view;
FIG. 6 is a bottom plan view thereof; and,
FIG. 7 is a top perspective view thereof.

1 Claim, 4 Drawing Sheets

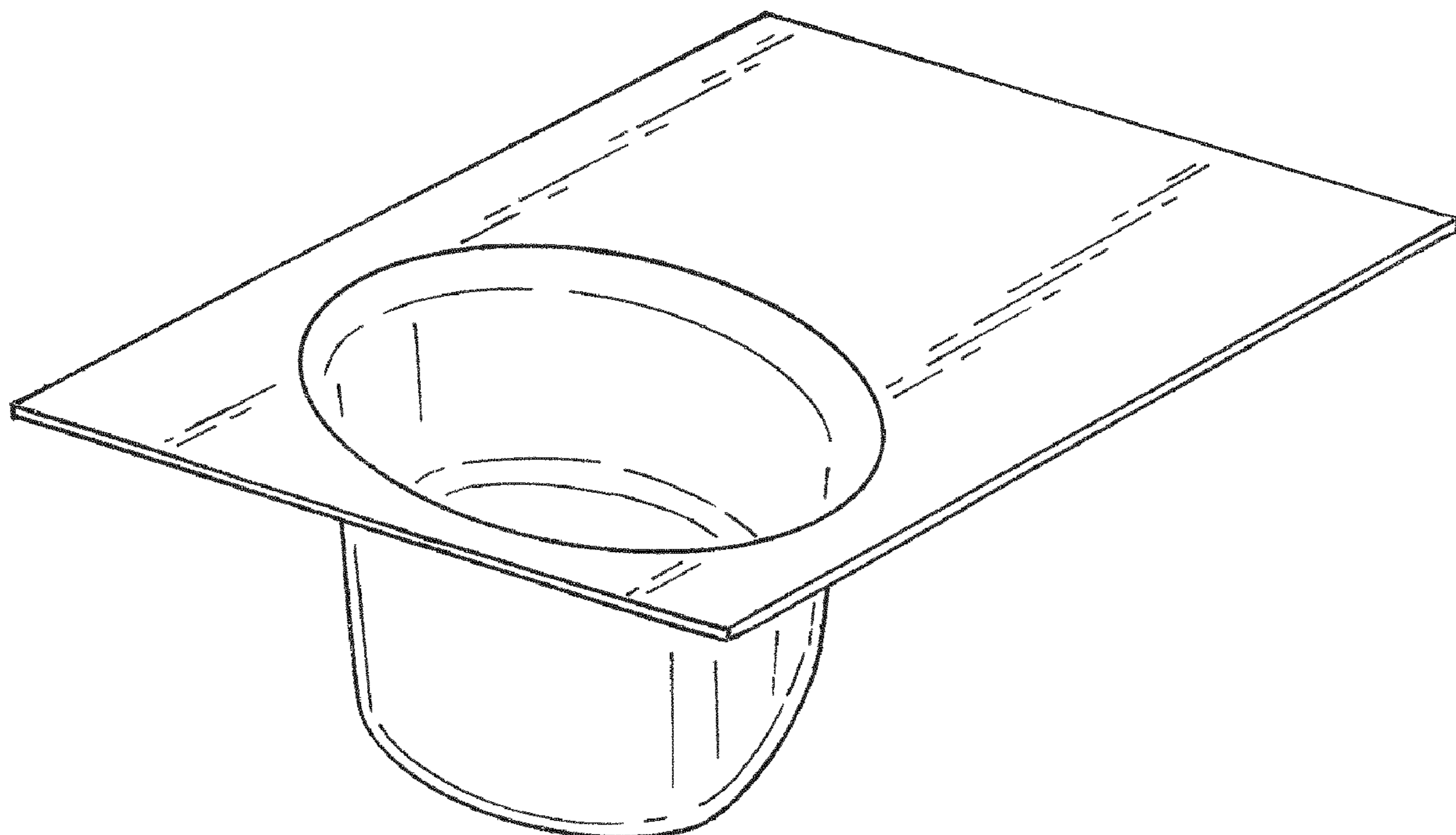


FIG. 1

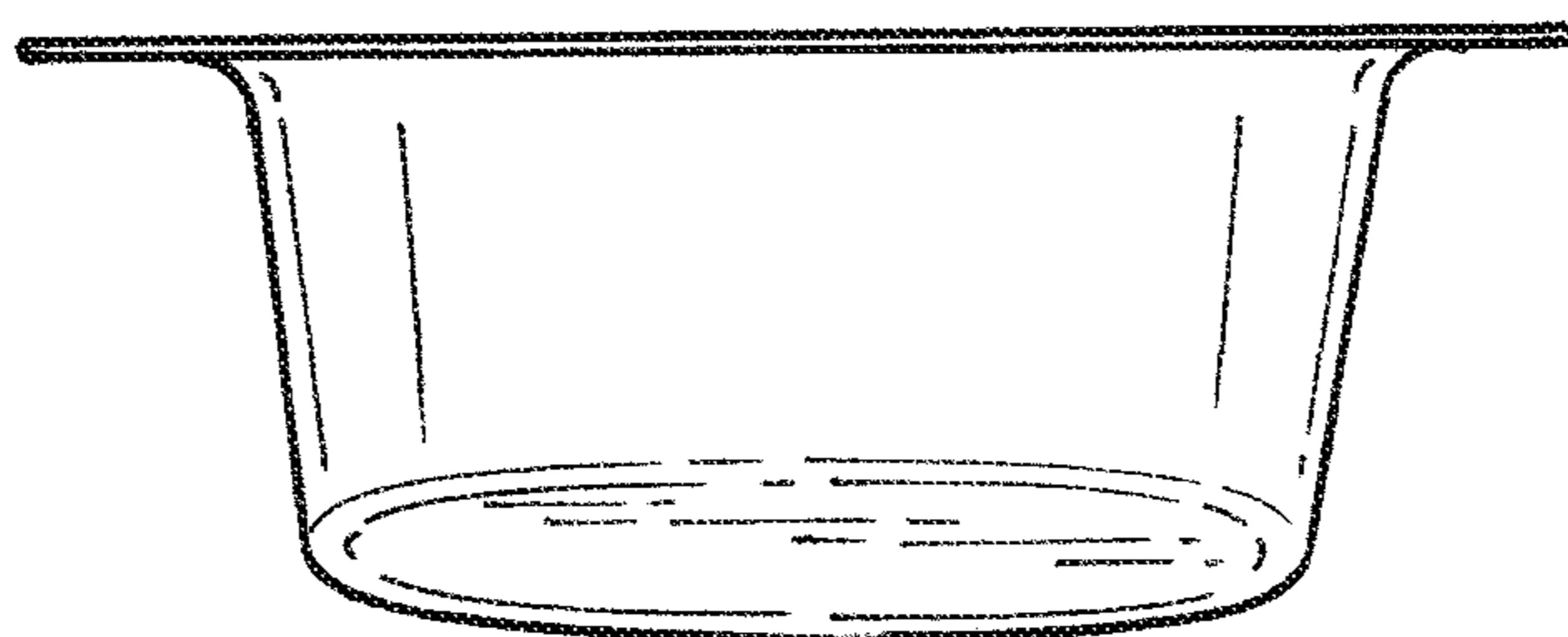
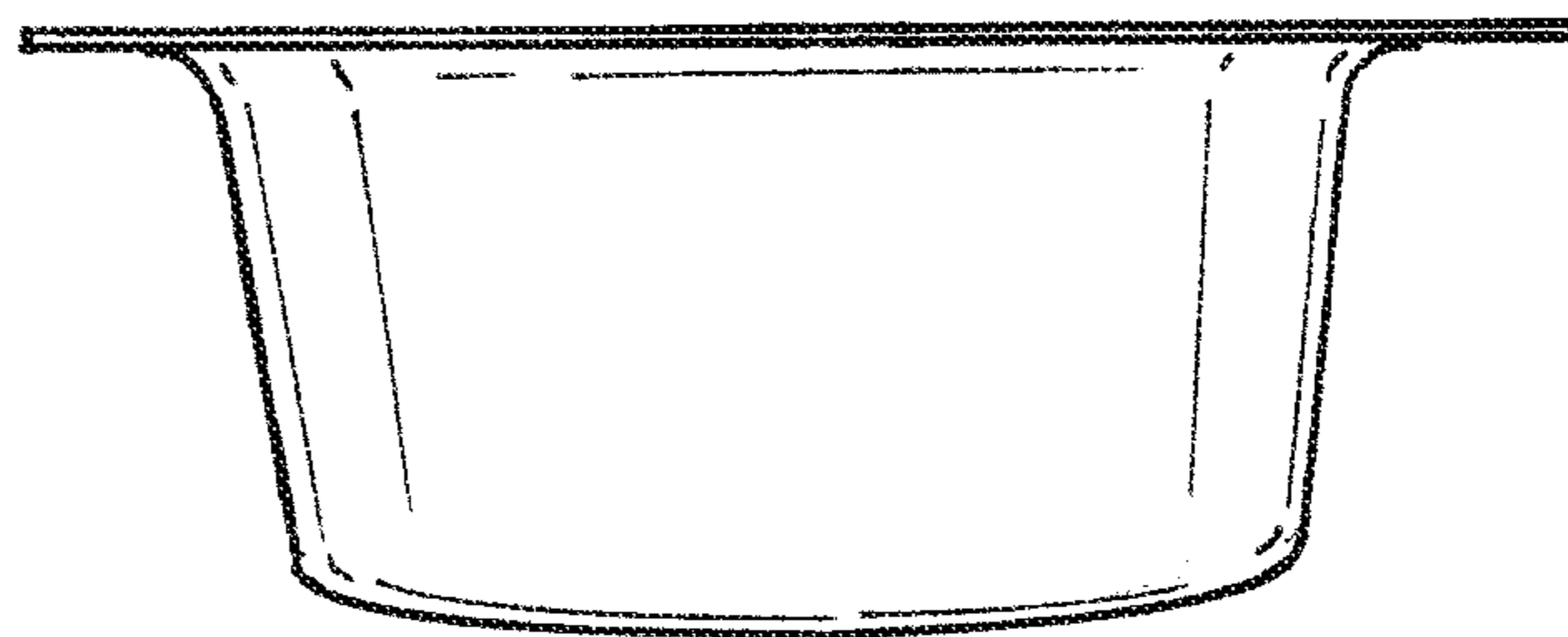


FIG. 2

FIG. 3

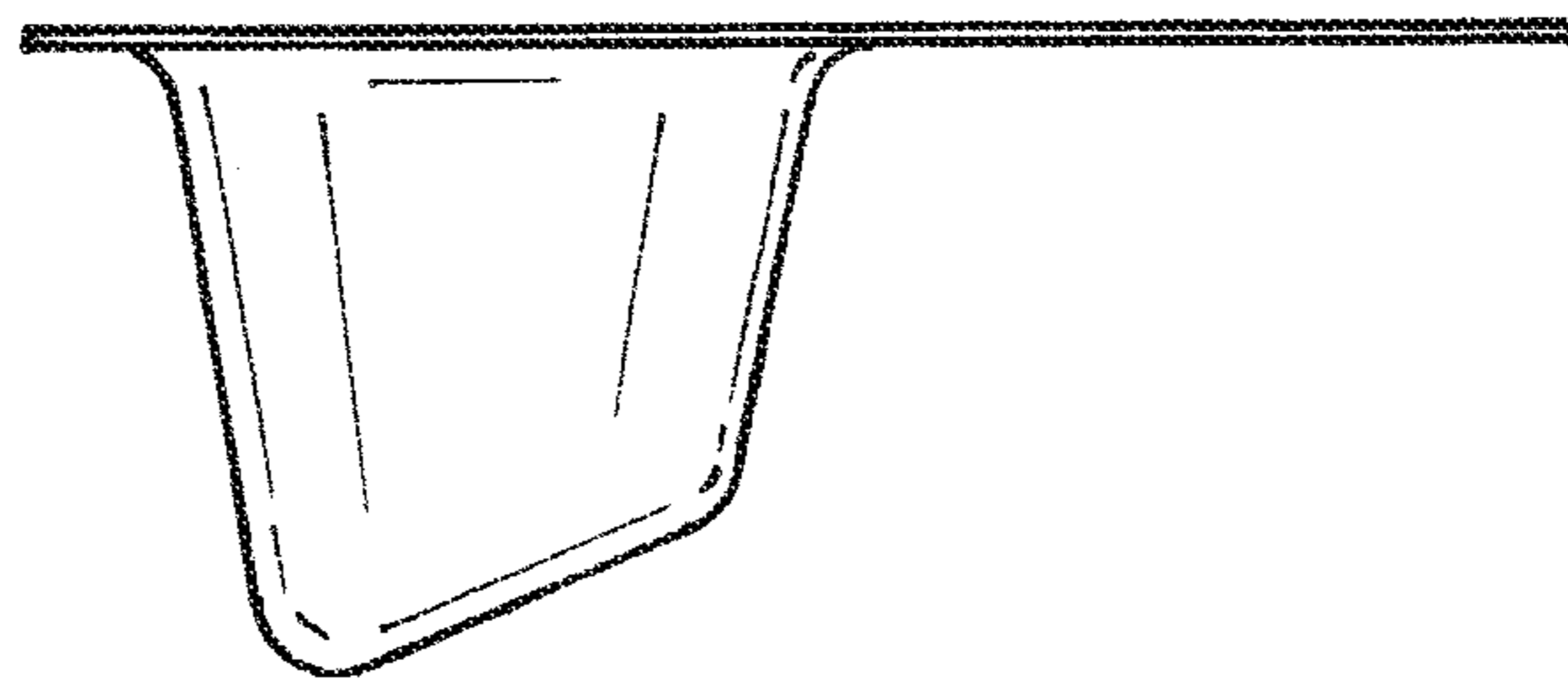
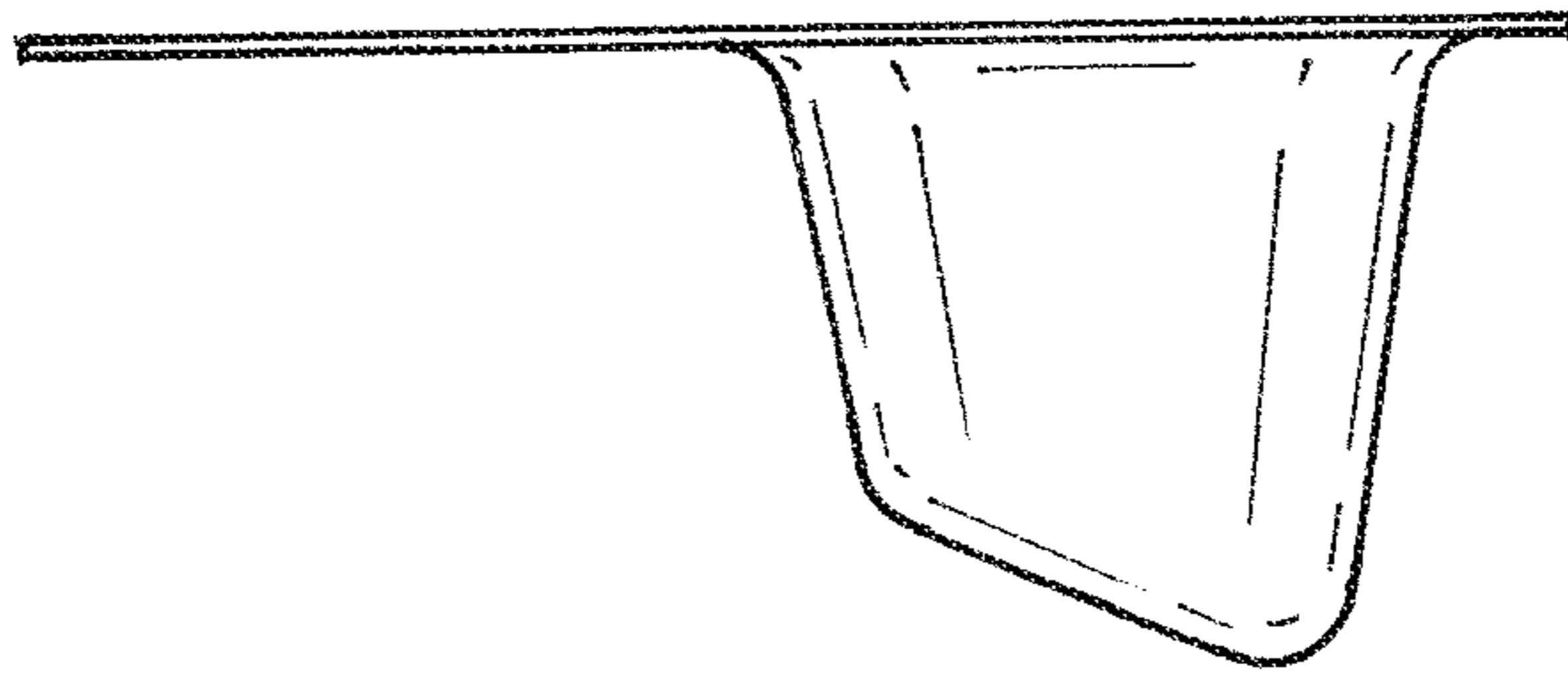


FIG. 4

FIG. 5

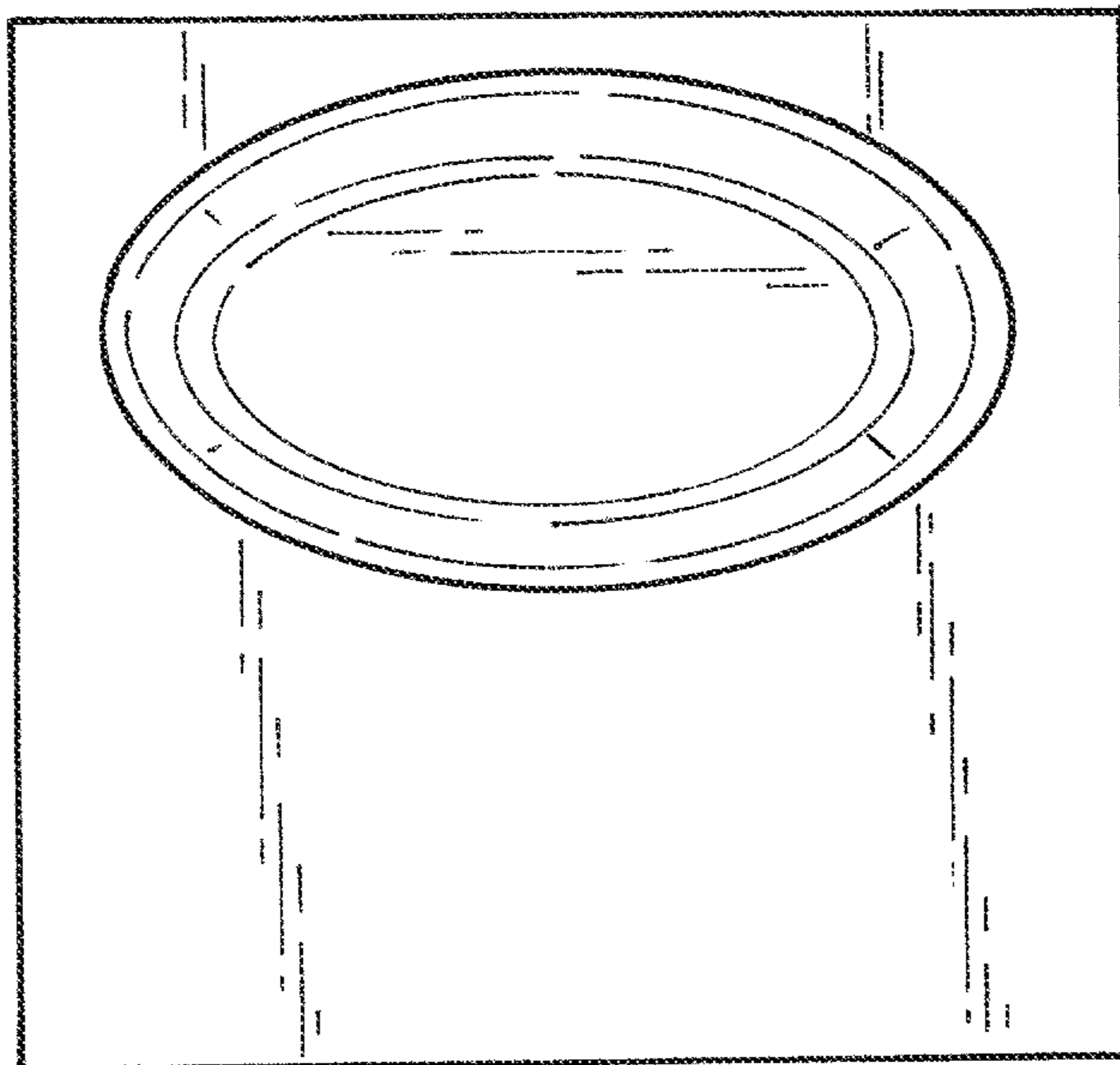
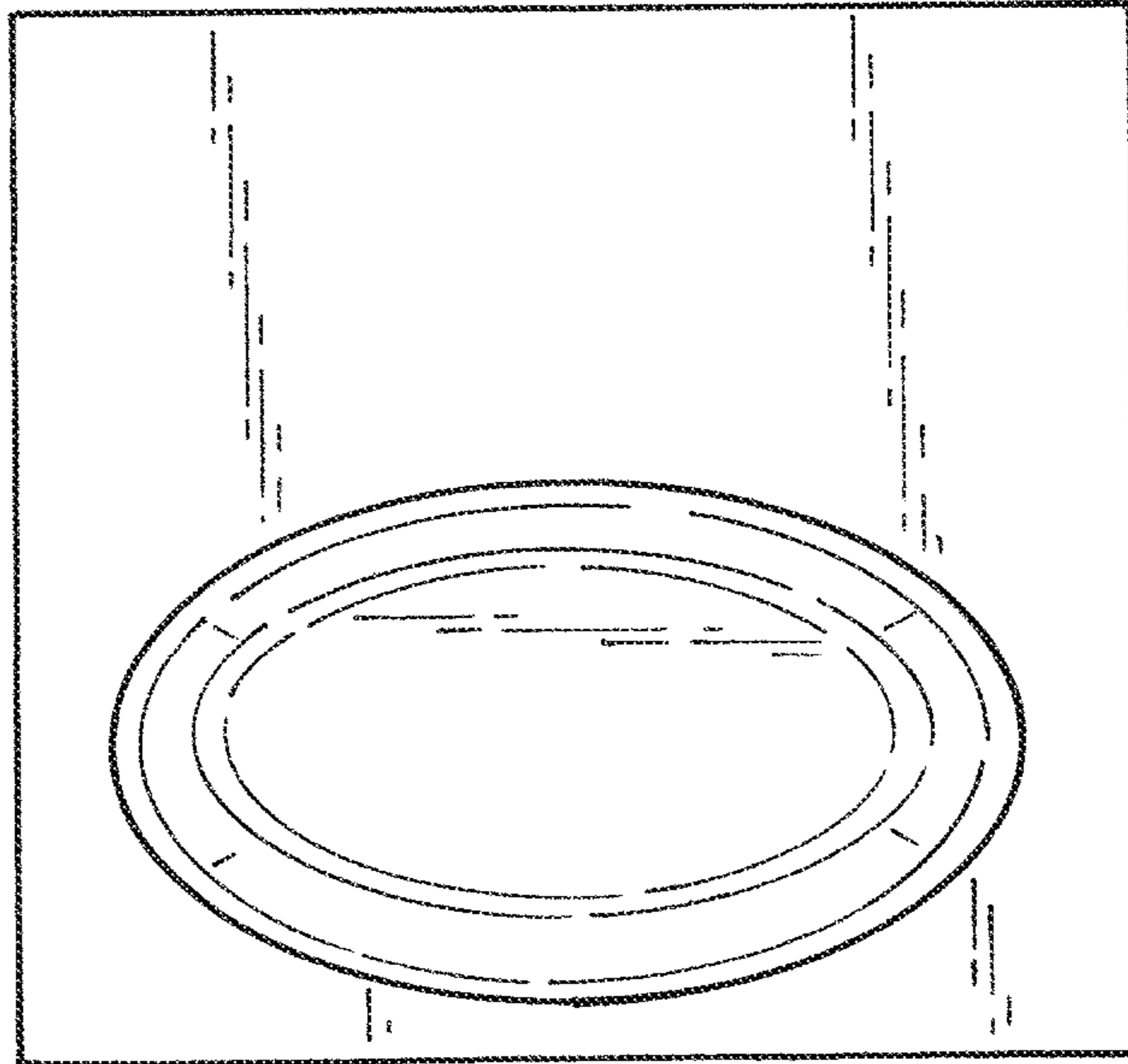


FIG. 6

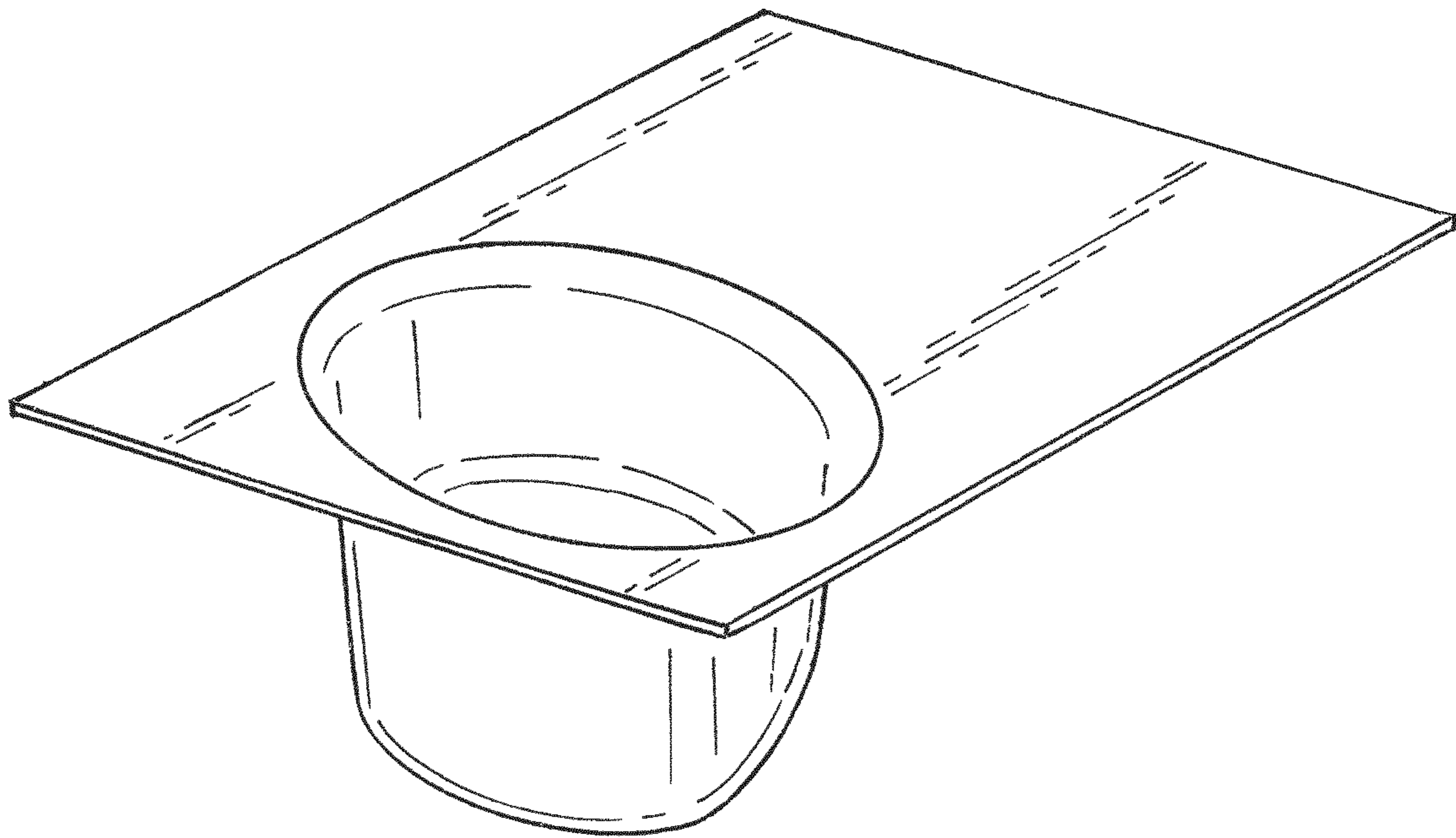


FIG. 7