



US00D908477S

(12) **United States Design Patent**
Liu

(10) **Patent No.:** **US D908,477 S**

(45) **Date of Patent:** **** Jan. 26, 2021**

(54) **BOLT**

(71) Applicant: **Haoliang Liu**, Shenzhen (CN)

(72) Inventor: **Haoliang Liu**, Shenzhen (CN)

(**) Term: **15 Years**

(21) Appl. No.: **29/740,093**

(22) Filed: **Jul. 1, 2020**

(51) **LOC (13) Cl.** **08-08**

(52) **U.S. Cl.**
USPC **D8/387**; D8/367

(58) **Field of Classification Search**
USPC D8/367, 387, 354, 349
CPC .. F16B 23/00; F16B 45/00; B66C 1/66; F16C
11/10; F16G 15/08

See application file for complete search history.

(56) **References Cited**

U.S. PATENT DOCUMENTS

2,625,357 A * 1/1953 Atkinson F21V 21/02
248/214
2,867,874 A * 1/1959 Larson F16B 43/02
24/115 K
D198,281 S * 5/1964 Mills D8/367
3,248,996 A * 5/1966 Larson F16B 45/00
411/368
3,297,293 A * 1/1967 Andrews B66C 1/666
248/499
4,004,301 A * 1/1977 Kaufman F16B 45/00
4/496
4,398,322 A * 8/1983 Ewen F16B 21/04
24/595.1
4,419,029 A * 12/1983 Wenzel F16B 37/16
403/11
4,558,979 A * 12/1985 Andrews B66C 1/66
248/499
5,125,861 A * 6/1992 Freeman B66C 1/66
24/598.9

5,405,210 A * 4/1995 Tsui B21K 1/72
403/119
D363,755 S * 10/1995 Diederich D21/840
5,585,578 A * 12/1996 Shimotori F16B 35/06
16/445
5,586,801 A * 12/1996 Sawyer B23K 9/207
294/215
5,690,457 A * 11/1997 Smetz B66C 1/66
411/400
D397,401 S * 8/1998 Diederich D21/840
5,865,416 A * 2/1999 Hanaway
D413,509 S * 9/1999 Robertson D8/387
D413,791 S * 9/1999 May D8/387
D417,328 S * 11/1999 Kwon D34/35
5,975,786 A * 11/1999 Chang B66C 1/66
403/78
5,992,910 A * 11/1999 Kwon B66C 1/66
294/215
6,360,408 B1 * 3/2002 Dykstra F16B 45/04
24/115 G
D455,191 S * 4/2002 Norris, Sr. D22/108

(Continued)

Primary Examiner — Sandra Snapp
Assistant Examiner — Ieisha N Price

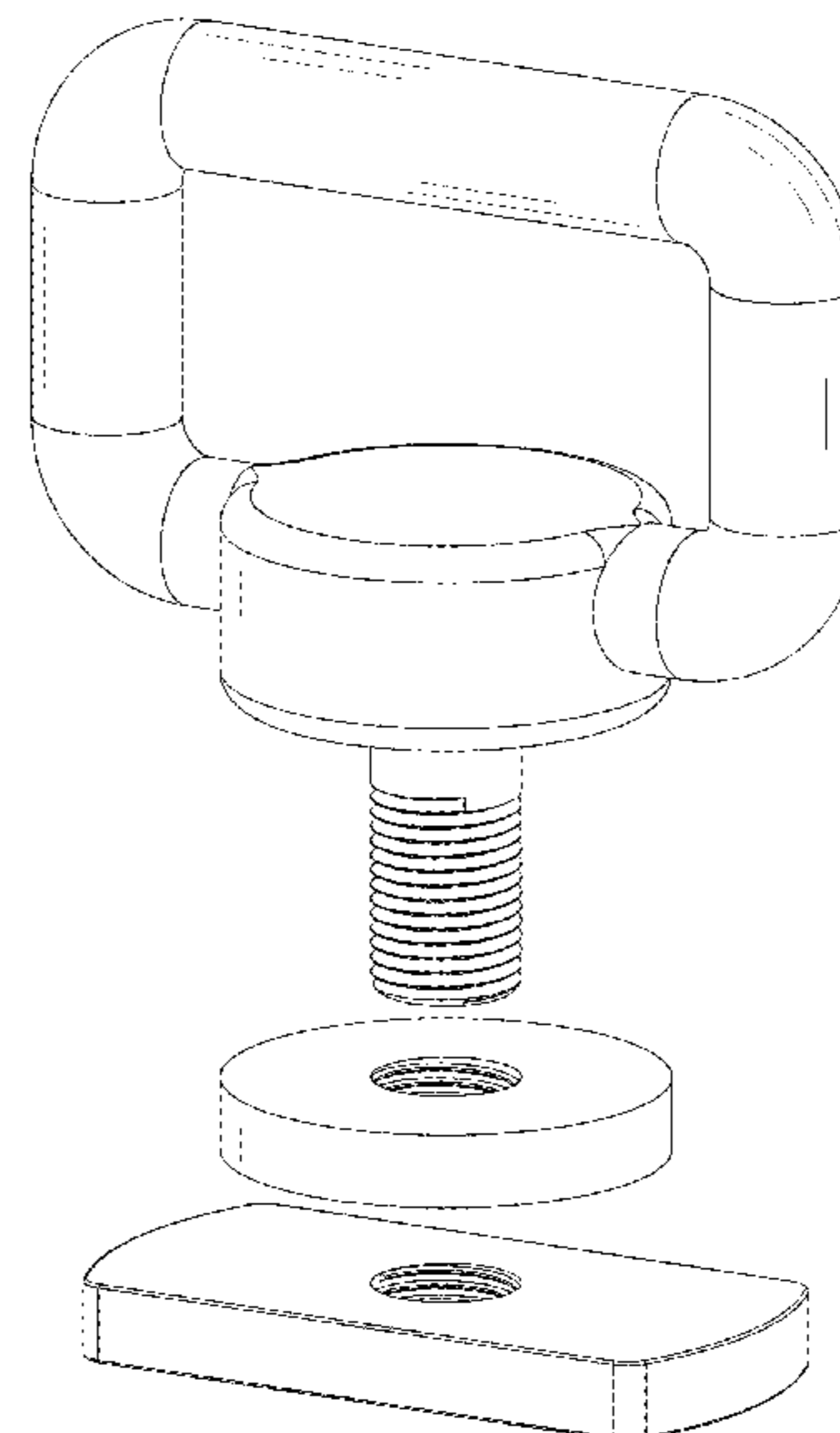
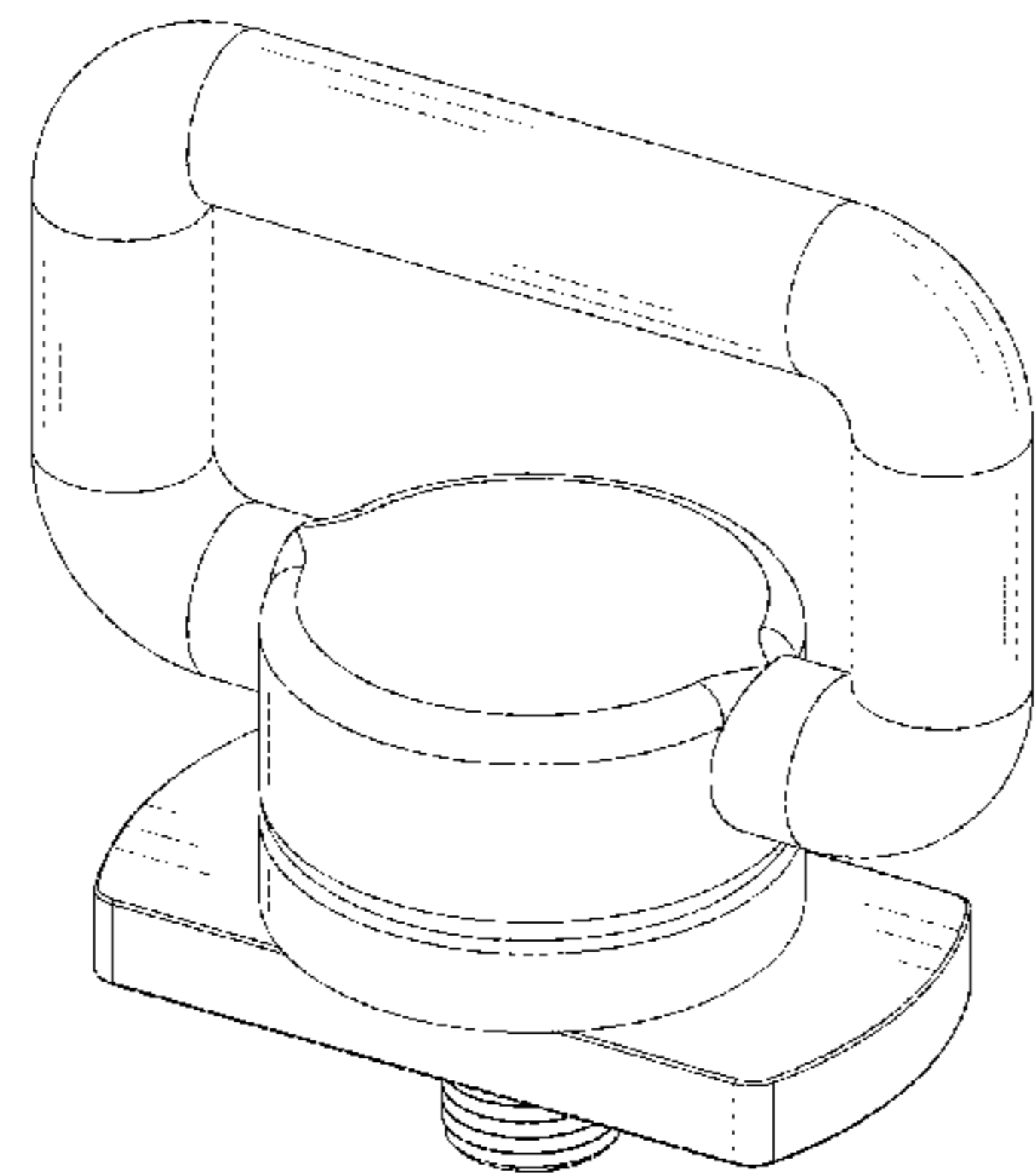
(57) **CLAIM**

The ornamental design for a bolt, as shown and described.

DESCRIPTION

FIG. 1 is a perspective view of a bolt showing my new design;
FIG. 2 is a front elevational view thereof;
FIG. 3 is a rear elevational view thereof;
FIG. 4 is a left side elevational view thereof;
FIG. 5 is a right side elevational view thereof;
FIG. 6 is a top plan view thereof;
FIG. 7 is a bottom plan view thereof; and,
FIG. 8 is an exploded view of the bolt shown in FIG. 1.

1 Claim, 8 Drawing Sheets



(56)

References Cited

U.S. PATENT DOCUMENTS

6,749,237 B1 * 6/2004 Ma B66C 1/66
294/180
7,513,168 B2 * 4/2009 Alba G01N 3/16
73/818
D605,500 S * 12/2009 Lee D8/387
D639,890 S * 6/2011 Troy, Jr. D22/108
D677,561 S * 3/2013 Sherman D8/387
9,067,766 B1 * 6/2015 Bateman G01L 5/243
D742,724 S 11/2015 Smetz
9,193,570 B2 * 11/2015 Norpoth B66C 1/66
D769,705 S * 10/2016 Moreau D8/387
D806,778 S * 1/2018 Martin D16/237
D814,257 S * 4/2018 Berndt D8/14
10,207,902 B2 * 2/2019 Bradshaw B66C 1/66
10,450,174 B1 * 10/2019 Kucinic B66F 1/00
D893,984 S * 8/2020 Rateliff D8/367
2003/0072636 A1 * 4/2003 Boe F16B 35/06
411/409
2003/0180118 A1 * 9/2003 Alba B66C 1/66
411/400
2013/0298493 A1 * 11/2013 Guthrie E04G 21/3276
52/704
2015/0071732 A1 * 3/2015 Hong F16B 35/06
411/383
2015/0102181 A1 * 4/2015 Hook F16B 45/00
248/68.1
2017/0355297 A1 * 12/2017 Chimenti B60P 7/0807
2017/0363138 A1 * 12/2017 Kilpatrick F16B 45/00
2018/0029846 A1 * 2/2018 Verbrugge F16B 35/06
2019/0210844 A1 * 7/2019 Redder B66C 1/66

* cited by examiner

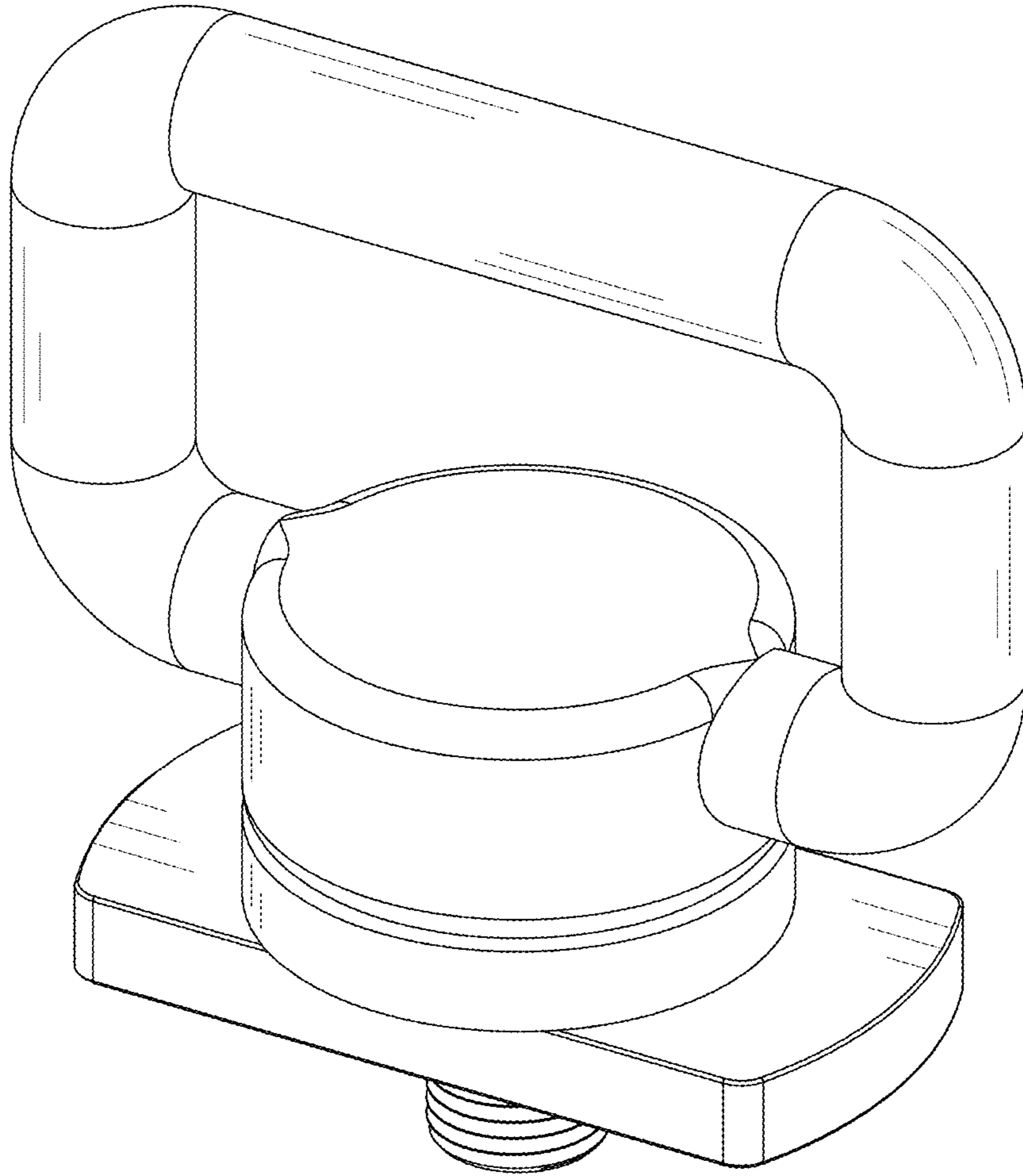


FIG. 1

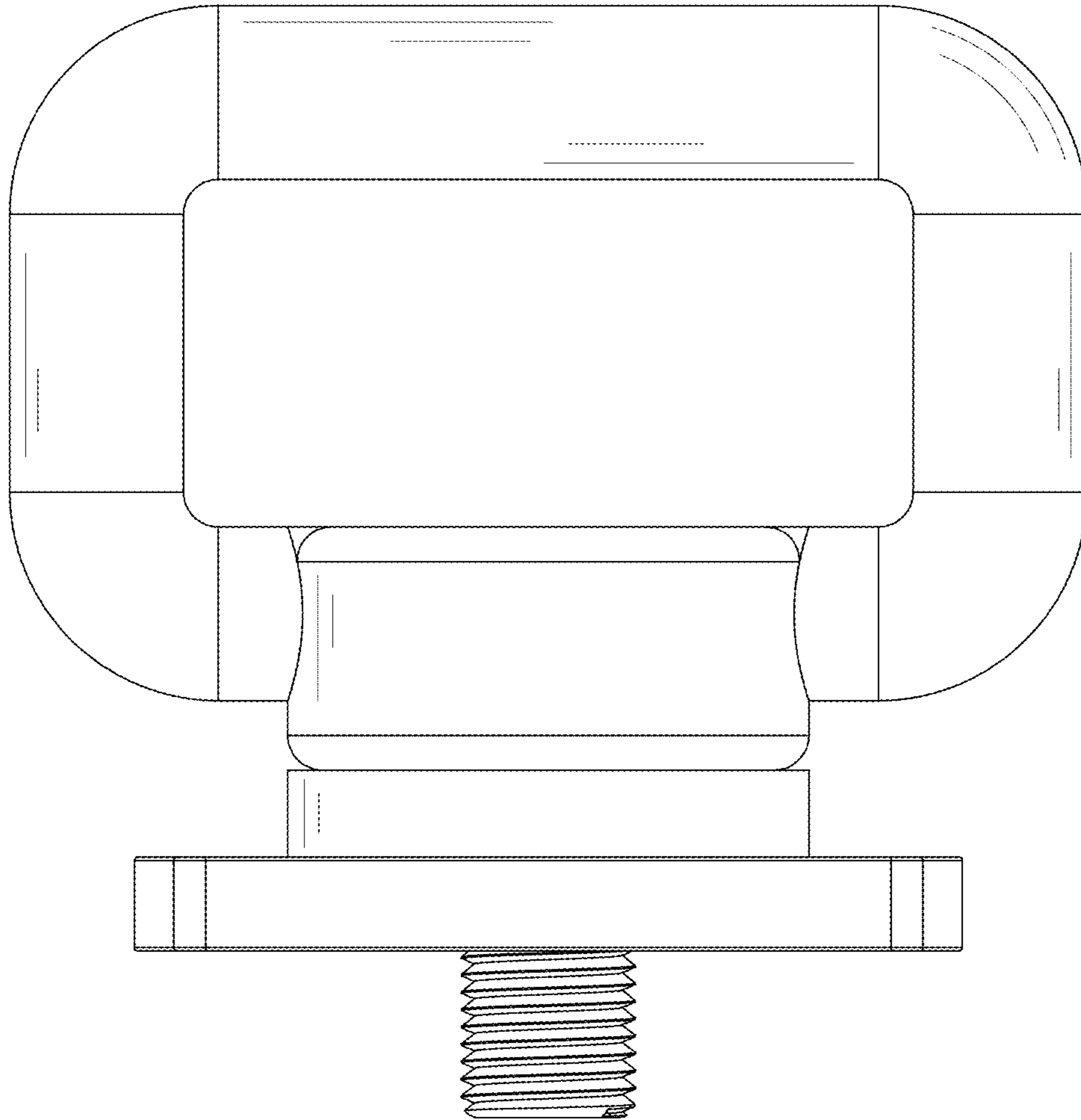


FIG. 2

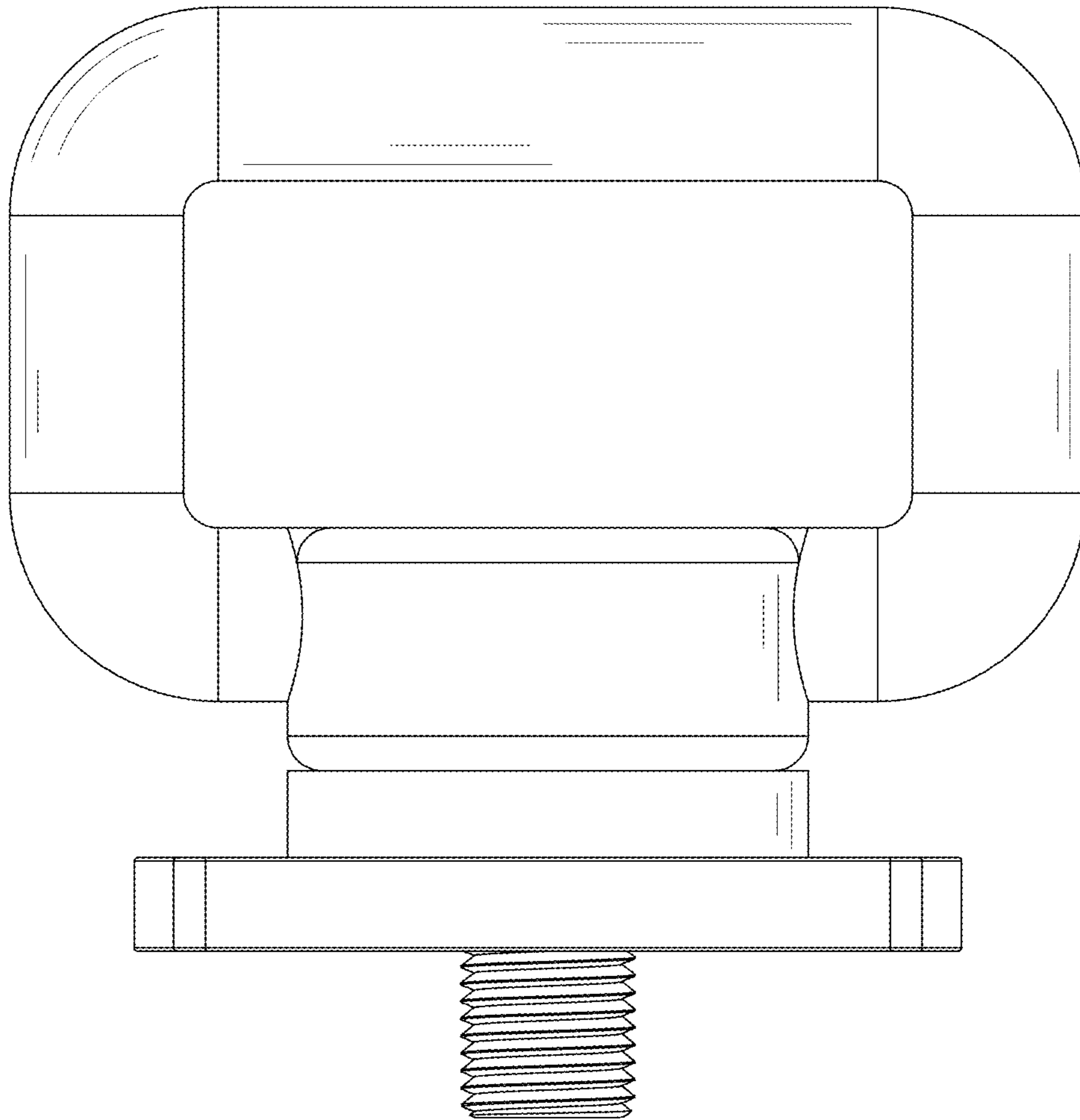


FIG. 3

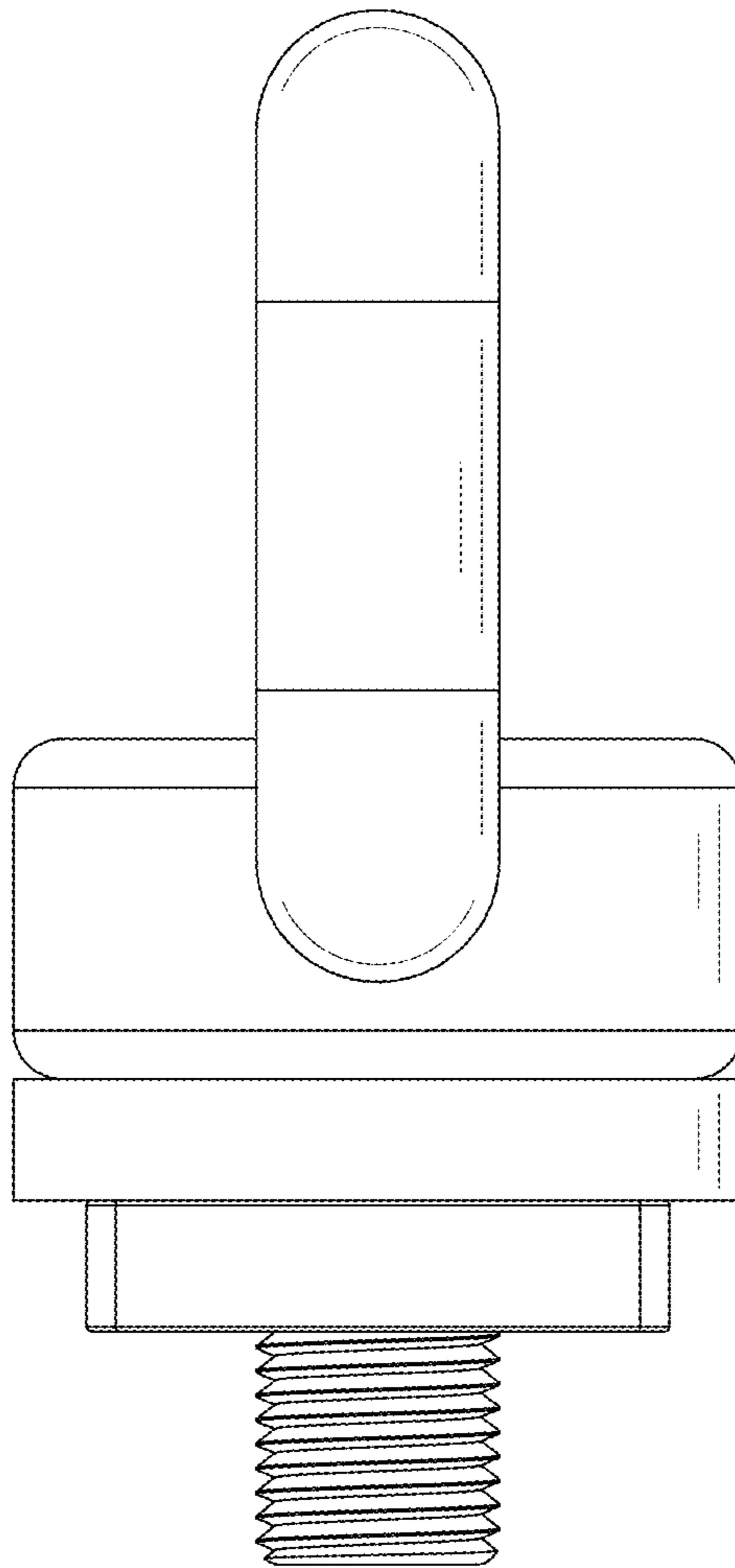


FIG. 4

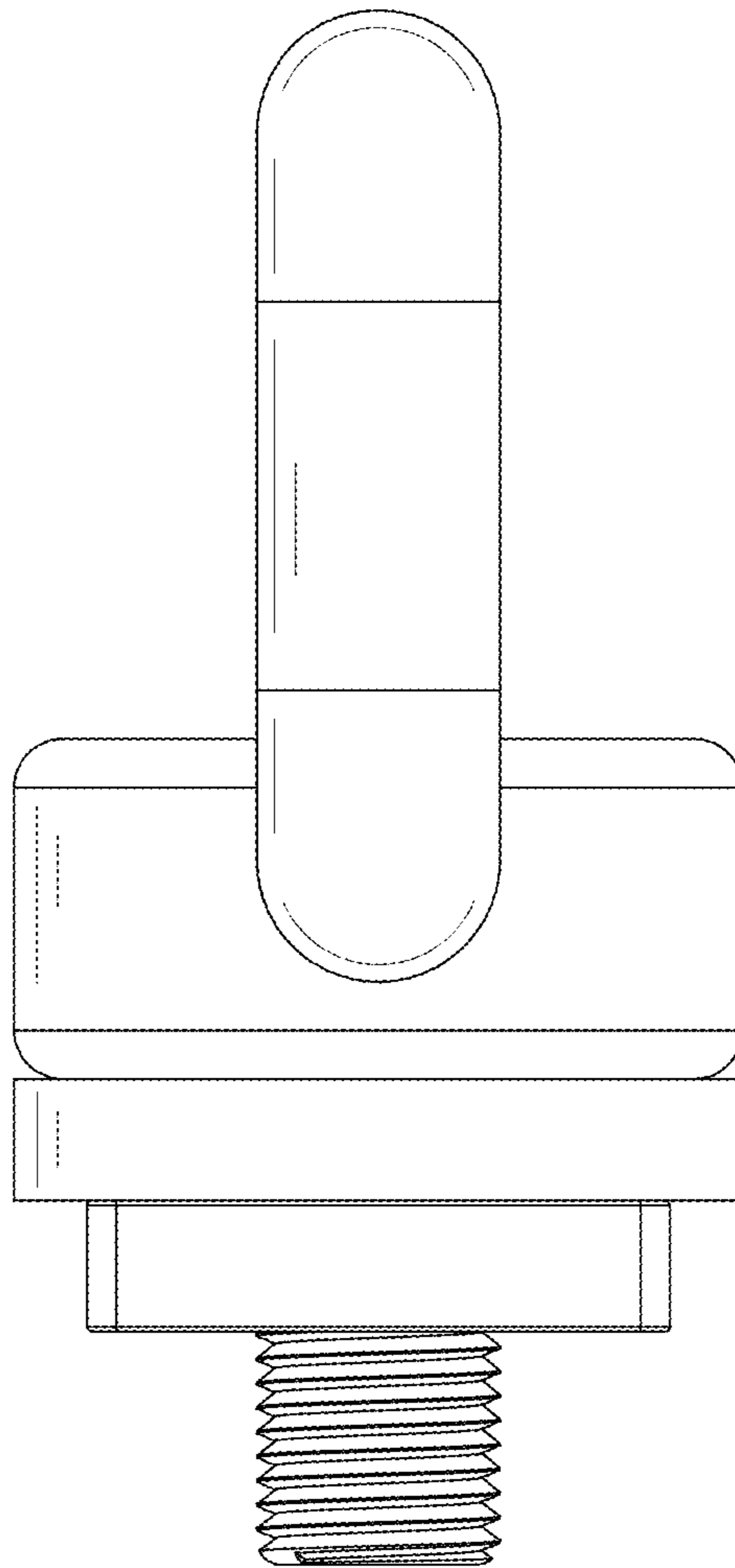


FIG. 5

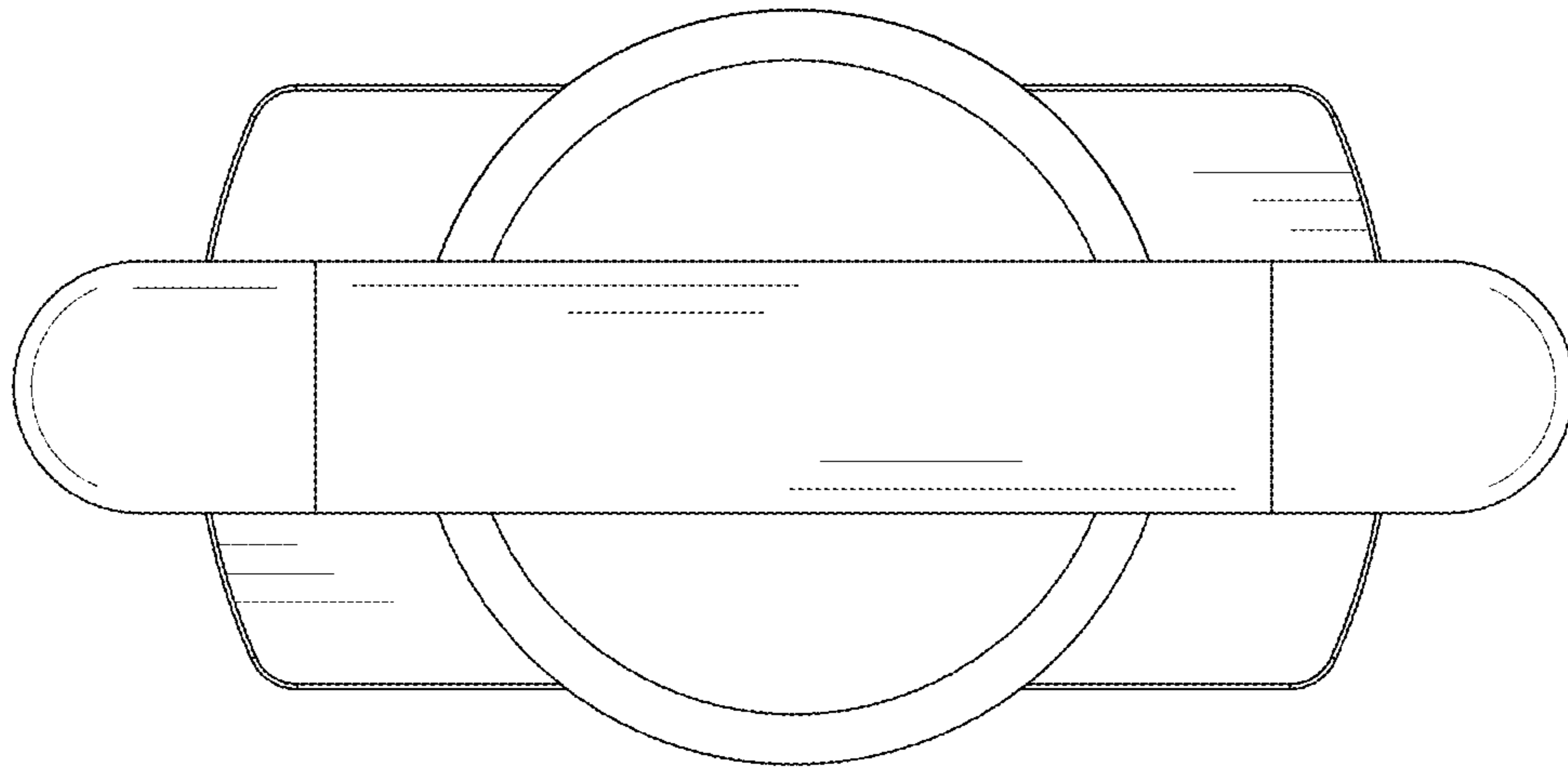


FIG. 6

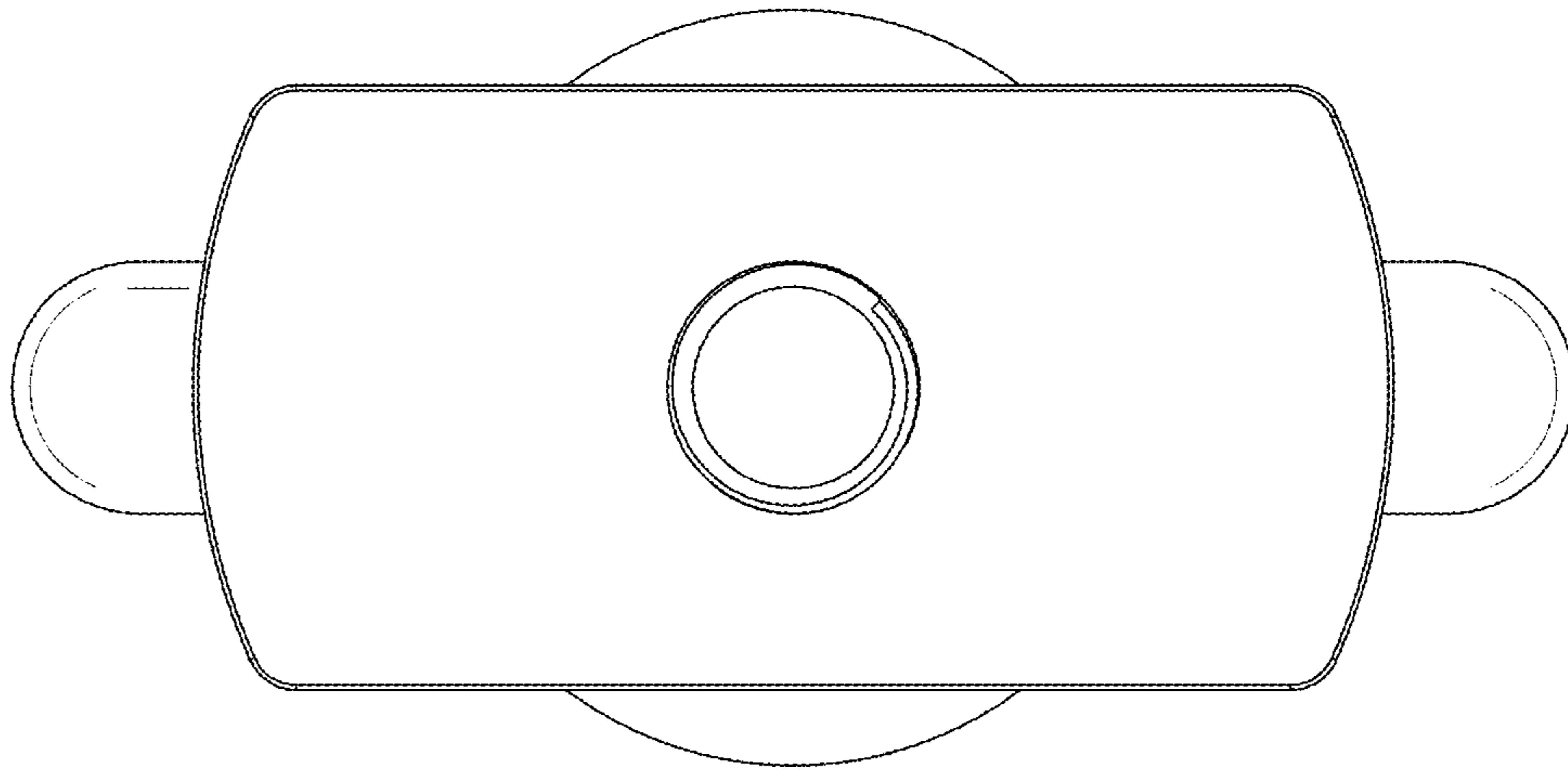


FIG. 7

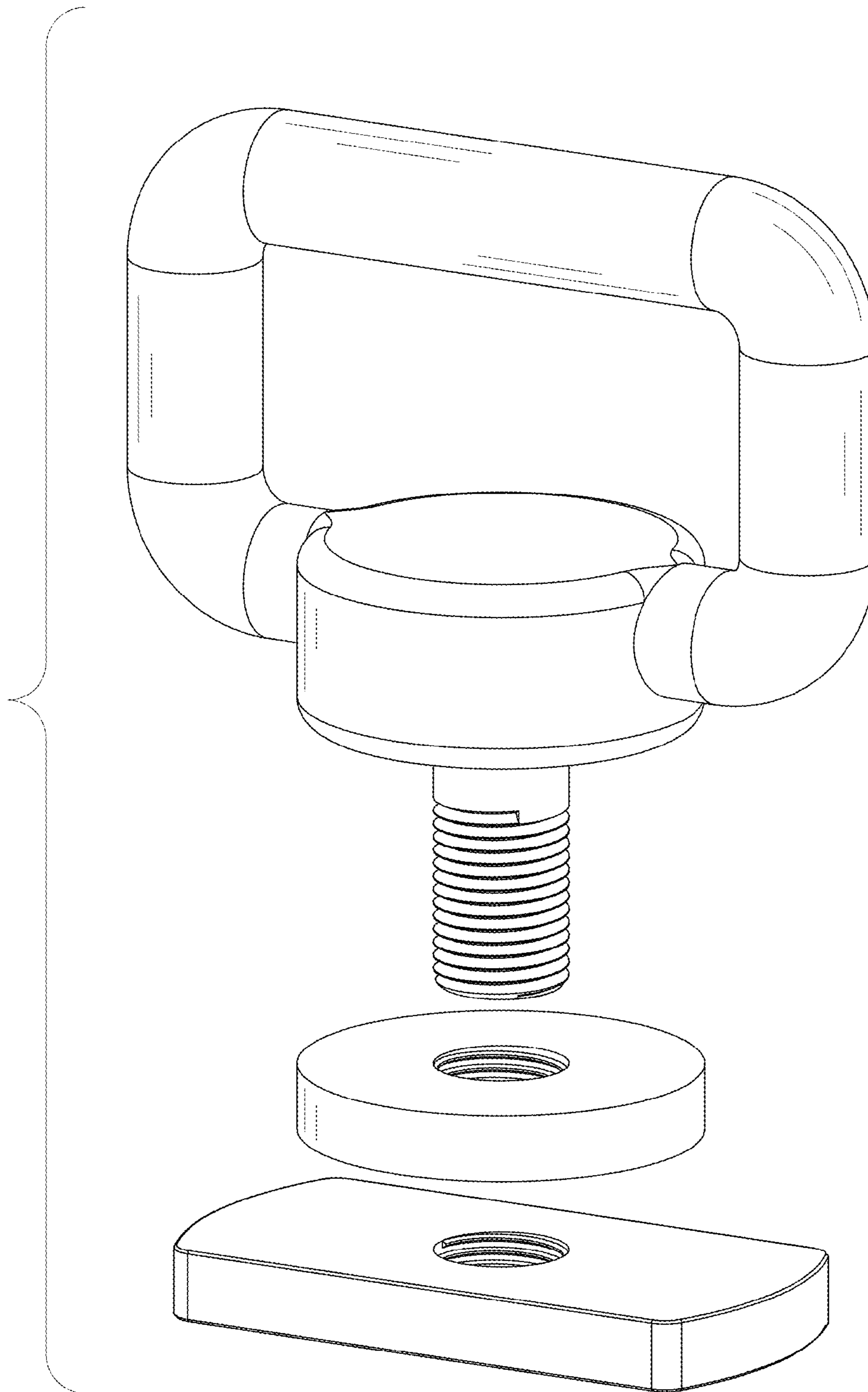


FIG. 8