



US00D908476S

(12) **United States Design Patent**  
**Hubmann**

(10) **Patent No.:** **US D908,476 S**  
(45) **Date of Patent:** **\*\* Jan. 26, 2021**

(54) **SCREW**  
(71) Applicant: **AVVIO GmbH & Co KG**, Graz (AT)  
(72) Inventor: **Gerhard Oliver Hubmann**, Graz (AT)  
(73) Assignee: **AVVIO GmbH & Co KG**, Graz (AT)  
(\*\*) Term: **15 Years**  
(21) Appl. No.: **29/608,270**  
(22) Filed: **Jun. 20, 2017**  
(30) **Foreign Application Priority Data**  
Dec. 20, 2016 (EM) ..... 003529353-0001  
Dec. 20, 2016 (EM) ..... 003529353-0002  
Dec. 20, 2016 (EM) ..... 003529353-0003

(51) **LOC (13) Cl.** ..... **08-08**  
(52) **U.S. Cl.**  
USPC ..... **D8/387**

(58) **Field of Classification Search**  
USPC ..... D8/384, 385, 387, 388, 391, 393  
CPC .. F16B 23/00; F16B 23/0007; F16B 23/0023;  
F16B 23/0015; F16B 23/003; F16B  
23/0038; F16B 23/0046; F16B 23/0061;  
F16B 23/0069; F16B 25/00; F16B  
25/0052; F16B 25/0015; F16B 25/0026;  
F16B 25/0031; F16B 25/0036; F16B  
25/0078; F16B 25/0068; F16B 25/0057;  
F16B 25/0063; F16B 25/0084; F16B  
25/10; F16B 33/00; F16B 33/02; F16B  
33/002; F16B 33/006; F16B 35/005;  
F16B 35/04; F16B 35/06; F16B 35/041;  
F16B 35/042; F16B 35/044; F16B  
35/047; Y10S 411/91; Y10S 411/914;  
Y10S 411/919  
See application file for complete search history.

(56) **References Cited**  
U.S. PATENT DOCUMENTS  
57,966 A \* 9/1866 Prosser ..... F16B 33/02  
411/423  
113,006 A \* 3/1871 Bidwell ..... F16B 25/00  
411/386

161,528 A \* 3/1875 Litchfield ..... F16B 25/00  
411/414  
288,798 A \* 11/1883 Harvey ..... F16B 25/00  
411/386  
335,131 A \* 2/1886 Jones ..... B21K 1/56  
470/10  
1,908,080 A \* 5/1933 Thompson ..... F16B 23/0023  
411/403  
D401,135 S \* 11/1998 Willert ..... D8/387  
6,056,491 A \* 5/2000 Hsu ..... F16B 25/0015  
411/311  
6,106,208 A \* 8/2000 Lin ..... F16B 25/0015  
411/386  
D557,131 S \* 12/2007 Liu ..... D8/387  
D567,644 S \* 4/2008 Liu ..... D8/387  
D581,776 S \* 12/2008 Yin-Feng ..... D8/387  
8,282,676 B2 \* 10/2012 Griffin ..... A61B 17/863  
606/301

(Continued)

*Primary Examiner* — Sandra Snapp  
*Assistant Examiner* — Ieisha N Price  
(74) *Attorney, Agent, or Firm* — Nixon & Vanderhye P.C.

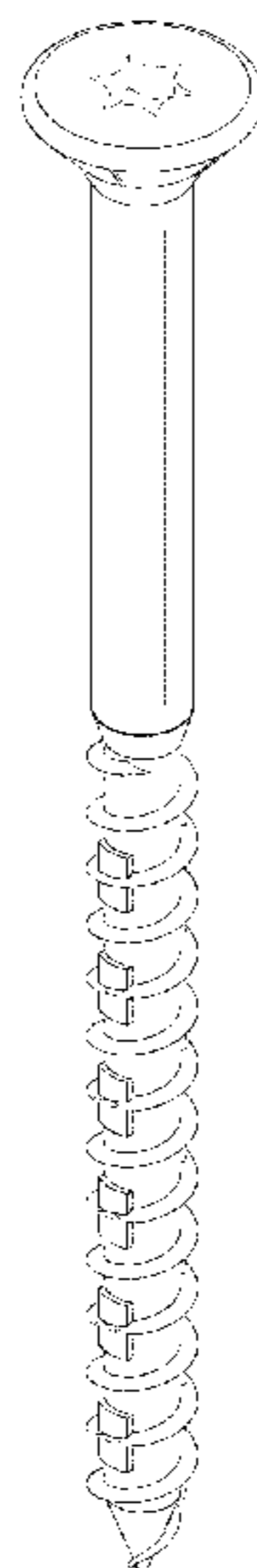
(57) **CLAIM**

The ornamental design for a screw, as shown and described.

**DESCRIPTION**

FIG. 1 is a left side perspective view of a screw;  
FIG. 2 is a right side perspective view thereof;  
FIG. 3 is a front elevational view thereof;  
FIG. 4 is a right side elevational view thereof; and,  
FIG. 5 is a left side elevational view thereof.  
The broken lines rendered in FIGS. 1 and 2 illustrate  
portions of the screw and form no part of the claimed design.

**1 Claim, 2 Drawing Sheets**



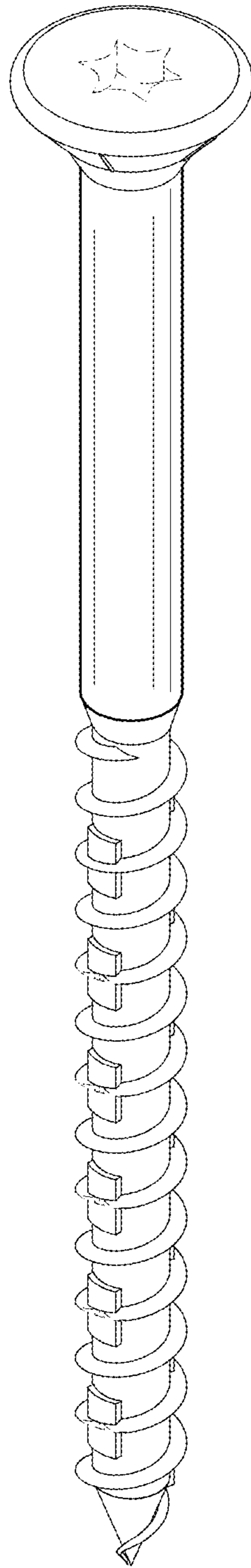
(56)

## References Cited

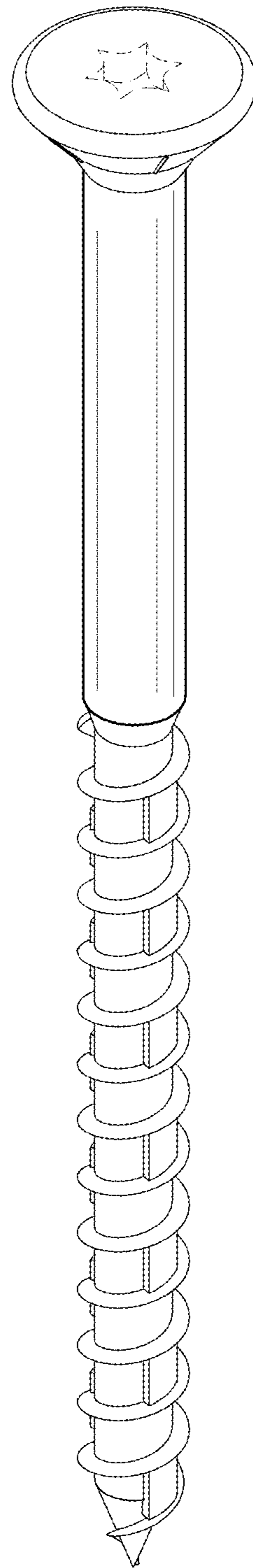
## U.S. PATENT DOCUMENTS

D678,756 S \* 3/2013 Tsai ..... D8/387  
8,511,958 B2 \* 8/2013 Chang ..... F16B 25/103  
411/387.1  
D696,103 S \* 12/2013 Hsu ..... D8/387  
D840,796 S \* 2/2019 Hsiao ..... D8/387  
D845,118 S \* 4/2019 Liu ..... D8/387  
D852,030 S \* 6/2019 Hsiao ..... D8/387  
D853,830 S \* 7/2019 Wang ..... D8/387  
D854,404 S \* 7/2019 Wang ..... D8/387  
2003/0198532 A1 \* 10/2003 Hsu ..... F16B 25/0031  
411/311  
2003/0231940 A1 \* 12/2003 Lin ..... F16B 25/0015  
411/387.2  
2003/0231941 A1 \* 12/2003 Kenny ..... F16B 25/0031  
411/411  
2007/0065255 A1 \* 3/2007 Liu ..... F16B 25/0052  
411/411  
2007/0286701 A1 \* 12/2007 Hsu ..... F16B 25/0015  
411/387.1  
2008/0219801 A1 \* 9/2008 Toenjes ..... F16B 25/0015  
411/413  
2016/0199967 A1 \* 7/2016 Stahl ..... A61B 17/8615  
81/460  
2017/0108026 A1 \* 4/2017 Yang ..... F16B 25/103  
2017/0138386 A1 \* 5/2017 Hsu ..... F16B 23/0023  
2017/0284447 A1 \* 10/2017 Falkenstein ..... F16B 25/0084  
2019/0249705 A1 \* 8/2019 Brekke, Jr. .... F16B 25/0057

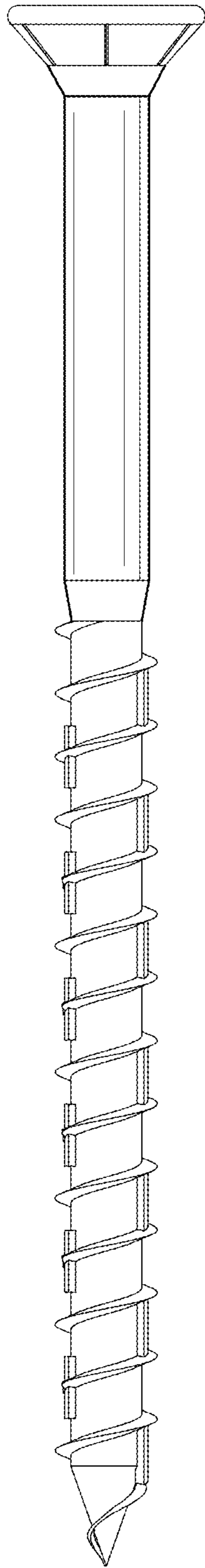
\* cited by examiner



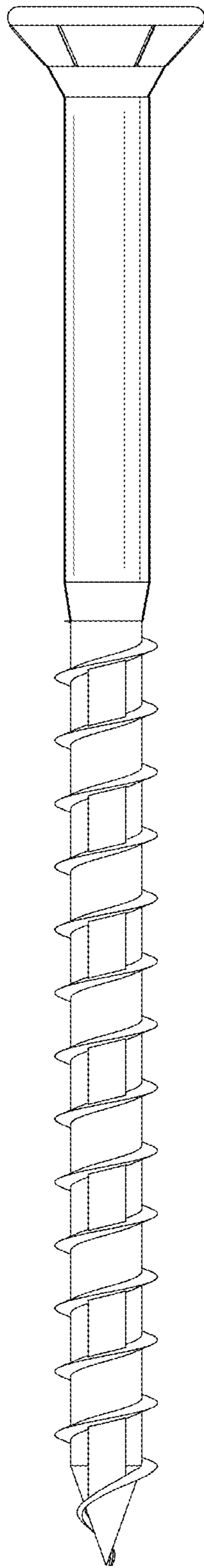
**FIG. 1**



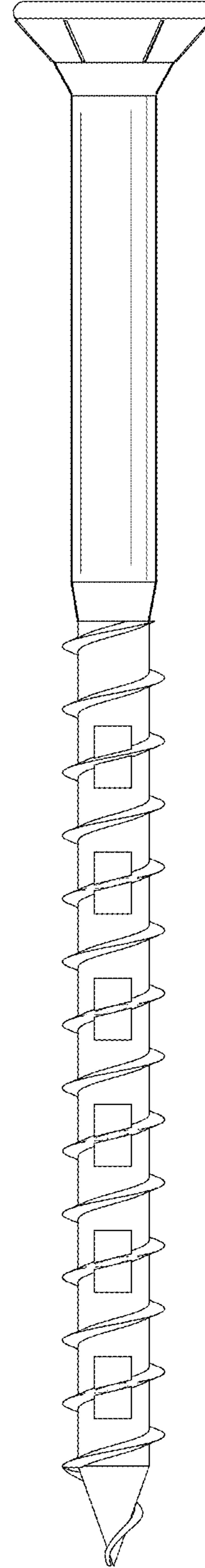
**FIG. 2**



**FIG. 3**



**FIG. 4**



**FIG. 5**