



US00D908475S

(12) **United States Design Patent**
Grobe

(10) **Patent No.:** **US D908,475 S**

(45) **Date of Patent:** **** Jan. 26, 2021**

- (54) **PULLEY**
- (71) Applicant: **Rotzler HOLDING GmbH + Co. KG**,
Steinen (DE)
- (72) Inventor: **Stefan Grobe**, Dettenhausen (DE)
- (73) Assignee: **Rotzler HOLDING GmbH + Co. KG**,
Steinen (DE)
- (**) Term: **15 Years**
- (21) Appl. No.: **29/734,989**
- (22) Filed: **May 18, 2020**

- 2,706,614 A 4/1955 Gilbert
- 2,873,948 A 2/1959 Colmer
- 4,227,680 A 10/1980 Hrescak
- 4,488,708 A 12/1984 Frye
- D306,134 S 2/1990 Harken et al.
- 5,348,116 A 9/1994 Pickering
- 5,368,281 A 11/1994 Skyba
- 5,435,044 A 7/1995 Ida
- D362,614 S 9/1995 Kingery
- D388,929 S 1/1998 Kuryu
- 6,092,791 A 7/2000 Kingery
- D431,448 S 10/2000 Mihailovic
- D431,449 S 10/2000 Mihailovic
- D438,358 S 2/2001 Huang
- 6,820,862 B2 11/2004 Terzagi
- D513,650 S 1/2006 Elliott
- D532,577 S 11/2006 Elliott
- 7,152,847 B2 12/2006 Smith
- 7,168,687 B2 1/2007 Thompson
- D550,923 S 9/2007 Huang
- D555,874 S 11/2007 Elliott
- D565,936 S 4/2008 Spadotto
- D572,099 S 7/2008 Fontaine et al.

Related U.S. Application Data

- (62) Division of application No. 29/673,643, filed on Dec. 17, 2018, now Pat. No. Des. 897,192.

Foreign Application Priority Data

- Jun. 15, 2018 (EM) 005312675
- (51) **LOC (13) Cl.** **08-05**
- (52) **U.S. Cl.**
USPC **D8/360**
- (58) **Field of Classification Search**
USPC D8/356, 354, 349, 360; D11/218;
254/390; 24/129 R
CPC A63B 29/00; A47F 2005/0012
See application file for complete search history.

References Cited

U.S. PATENT DOCUMENTS

- 493,432 A 3/1893 Kidd
- 598,641 A 2/1898 Nelson
- 1,752,029 A 3/1930 Robertson
- 2,389,177 A 11/1945 Ball
- 2,391,580 A 12/1945 MacKman

(Continued)

Primary Examiner — Cynthia R Underwood
(74) *Attorney, Agent, or Firm* — Fleit Intellectual
Property Law; Paul D. Bianco; Gary S. Winer

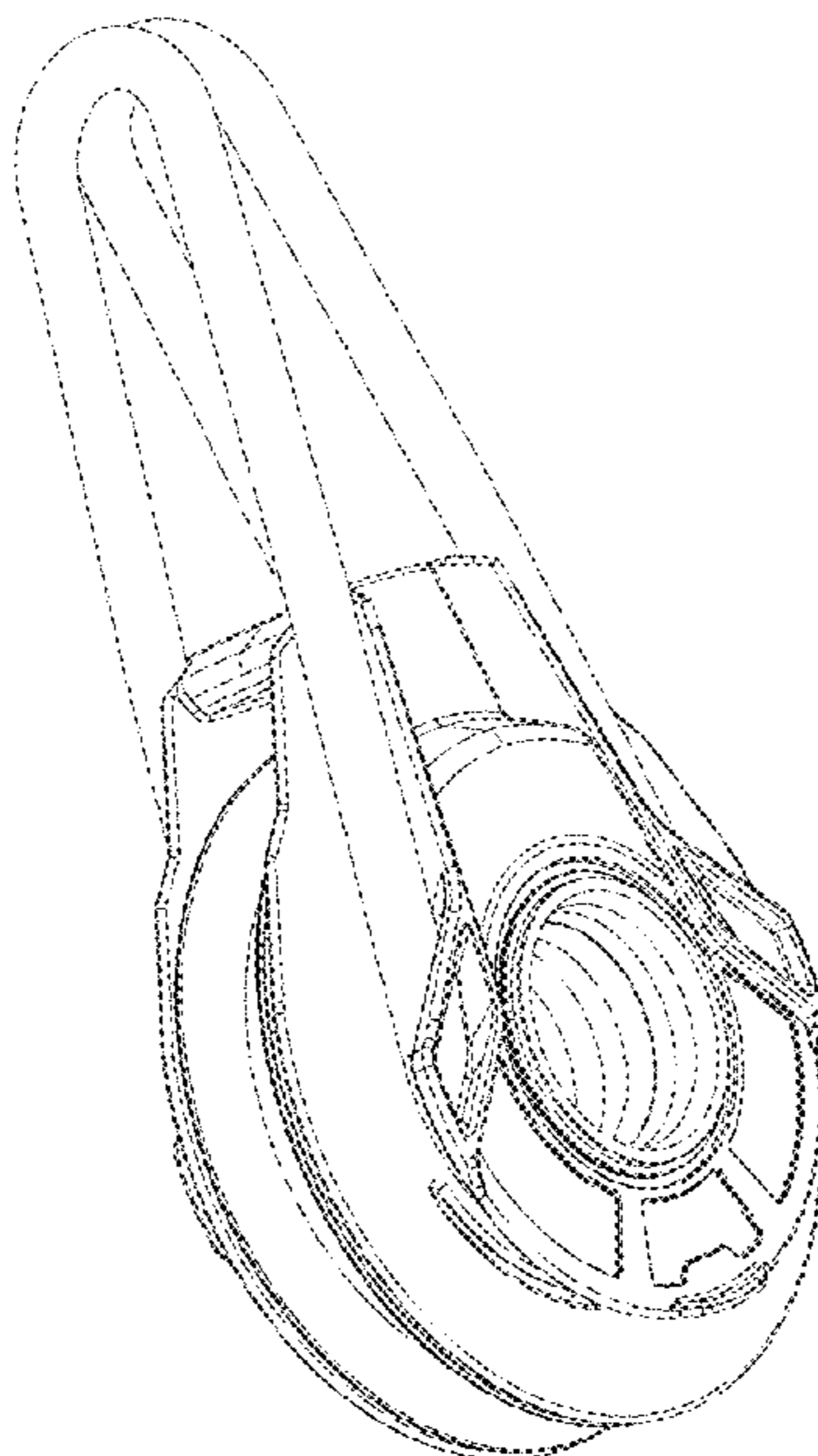
(57) **CLAIM**

The ornamental design for a pulley, as shown and described.

DESCRIPTION

FIG. 1 is a front view of a pulley according to the present invention.
FIG. 2 is a bottom view of the pulley of FIG. 1.
FIG. 3 is a first side view of the pulley of FIG. 1.
FIG. 4 is a top view of the pulley of FIG. 1.
FIG. 5 is a back view of the pulley of FIG. 1.
FIG. 6 is a second side view of the pulley of FIG. 1; and,
FIG. 7 is a perspective view of the pulley of FIG. 1.

1 Claim, 7 Drawing Sheets



(56)

References Cited

U.S. PATENT DOCUMENTS

D591,923 S 5/2009 Freitas
 7,562,862 B1 7/2009 Jackson
 7,648,125 B1 1/2010 Huang
 7,673,851 B2 3/2010 Lange
 7,735,809 B2 6/2010 Maire
 D626,812 S 11/2010 Macsay et al.
 D640,442 S 6/2011 Borntrager
 8,002,244 B2 8/2011 Curchod
 D650,260 S 12/2011 Petzl
 D658,487 S 5/2012 Chih
 8,210,502 B2* 7/2012 Fogg E21B 33/072
 254/406
 D666,475 S 9/2012 Gaiti
 8,286,947 B2* 10/2012 Rogelja B66D 3/06
 254/393
 D687,700 S 8/2013 Petzl
 8,727,320 B1 5/2014 Franta
 D708,507 S 7/2014 Fretz
 8,888,072 B1 11/2014 Orgeron
 9,010,495 B2 4/2015 Prasad et al.
 D741,039 S 10/2015 Huang
 9,187,298 B2 11/2015 Desoo et al.
 D744,320 S 12/2015 Parrish

D748,446 S 2/2016 Fretz
 D763,064 S 8/2016 Paglioli
 D798,522 S 9/2017 Scheer
 D799,145 S 10/2017 Scheer
 9,820,446 B2 11/2017 Parrish
 9,908,749 B2 3/2018 Lob et al.
 10,071,890 B2 9/2018 Vik
 10,081,521 B2 9/2018 Nipper
 D833,856 S* 11/2018 Simonds D8/360
 D836,422 S 12/2018 Gobbi
 10,322,918 B2 6/2019 Tamme
 D860,766 S 9/2019 Brown
 D893,286 S* 8/2020 Xu D8/360
 2003/0111654 A1 6/2003 Huang
 2006/0096067 A1 5/2006 Fontaine et al.
 2008/0116431 A1 5/2008 Elliott et al.
 2009/0114893 A1* 5/2009 Lange F16C 19/381
 254/390
 2010/0051887 A1 3/2010 Wooster et al.
 2011/0094116 A1* 4/2011 Diefenderfer F16H 57/022
 33/286
 2011/0284678 A1 11/2011 Wang
 2012/0018690 A1 1/2012 Maire et al.
 2012/0241700 A1 9/2012 Mauthner et al.
 2014/0027232 A1 1/2014 Lin
 2014/0174879 A1 6/2014 Huang

* cited by examiner

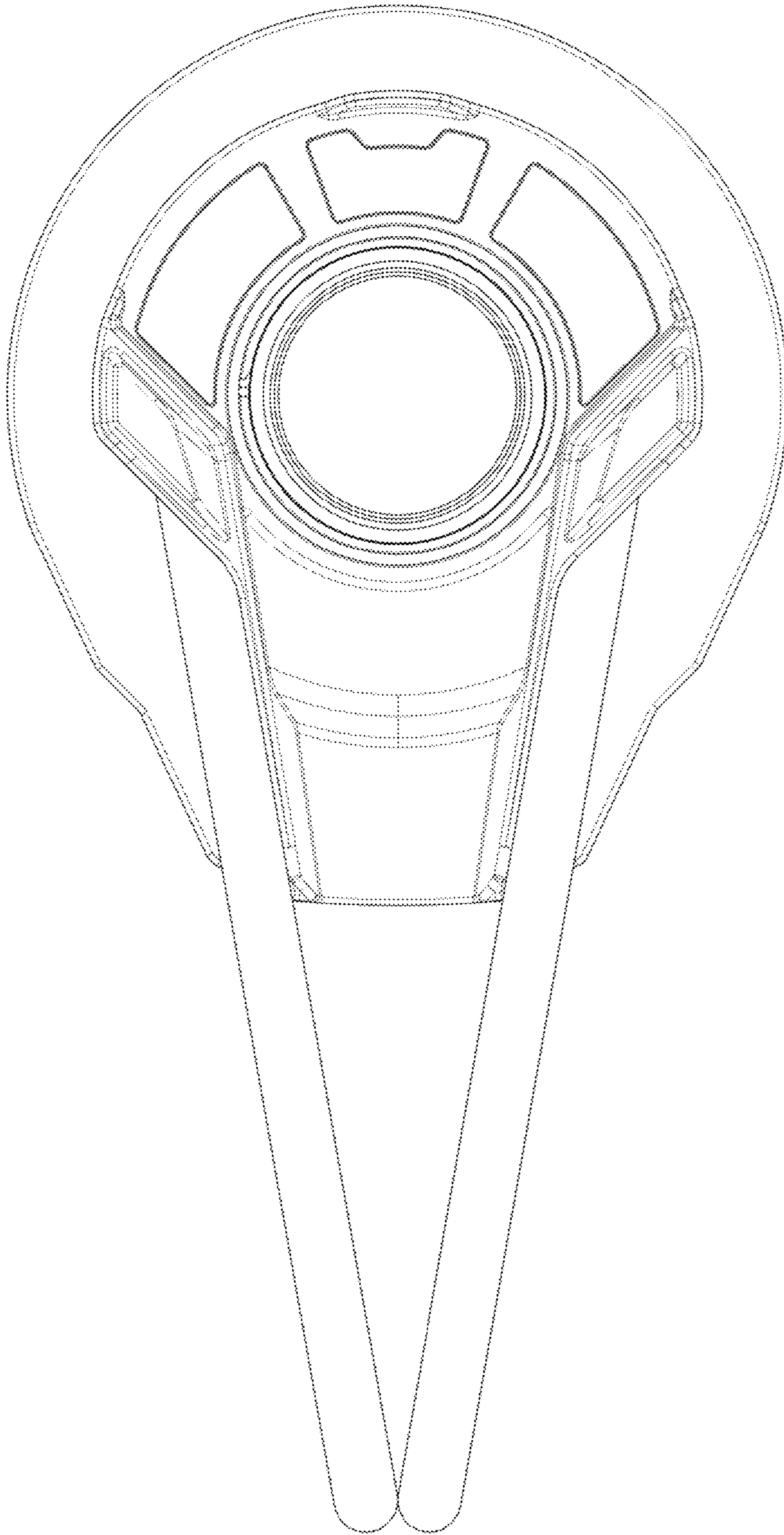


FIG. 1

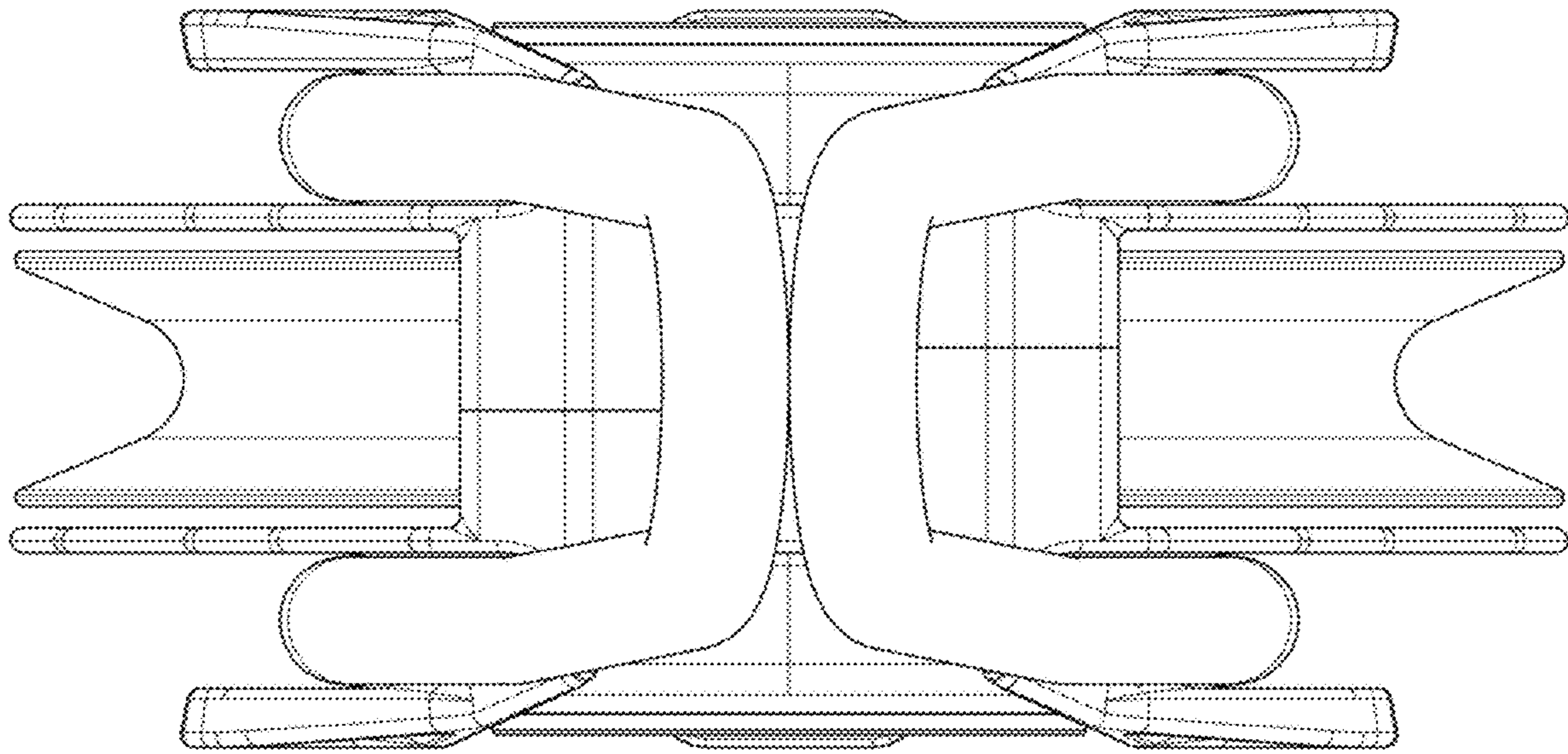


FIG. 2

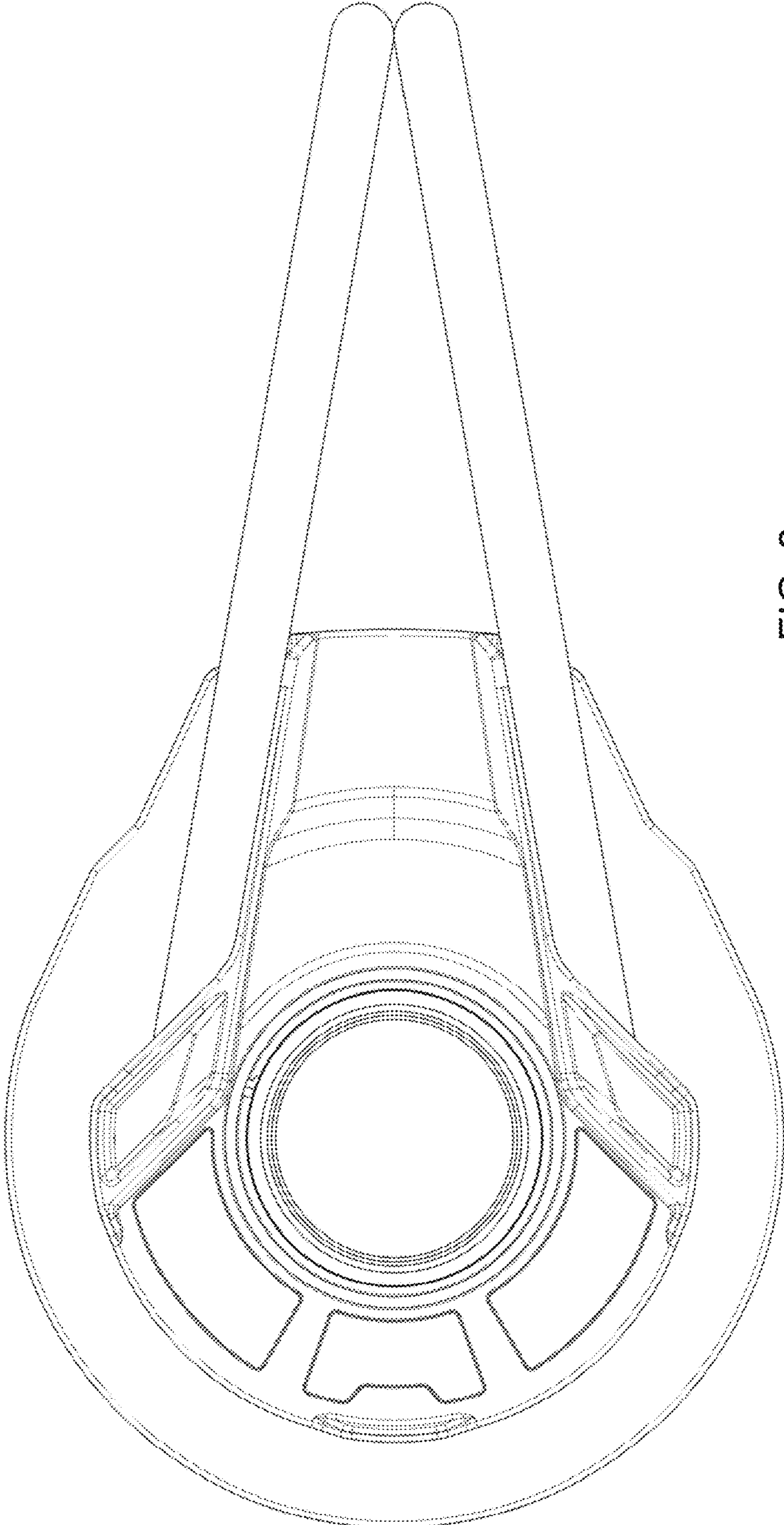


FIG. 3

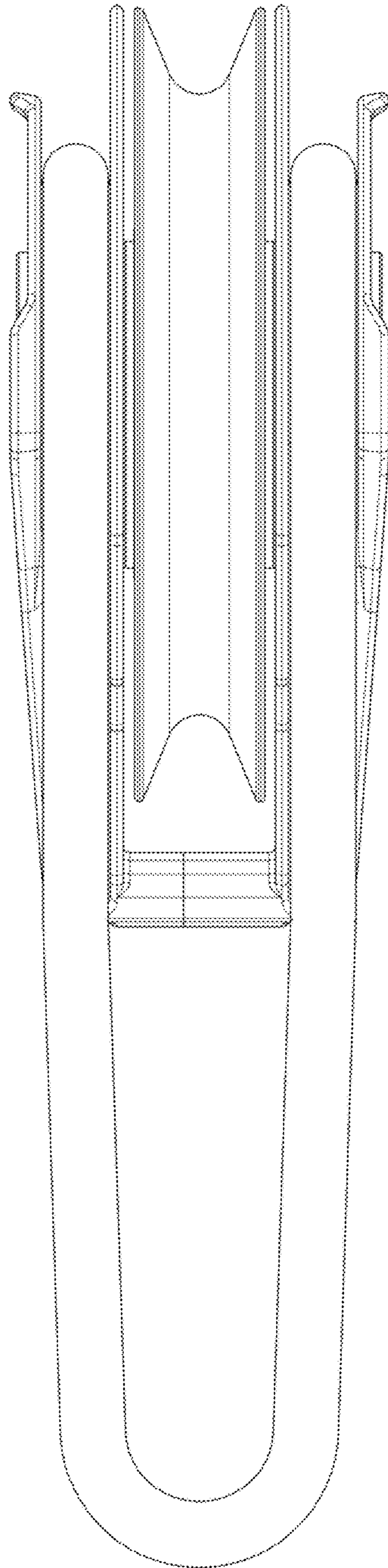


FIG. 4

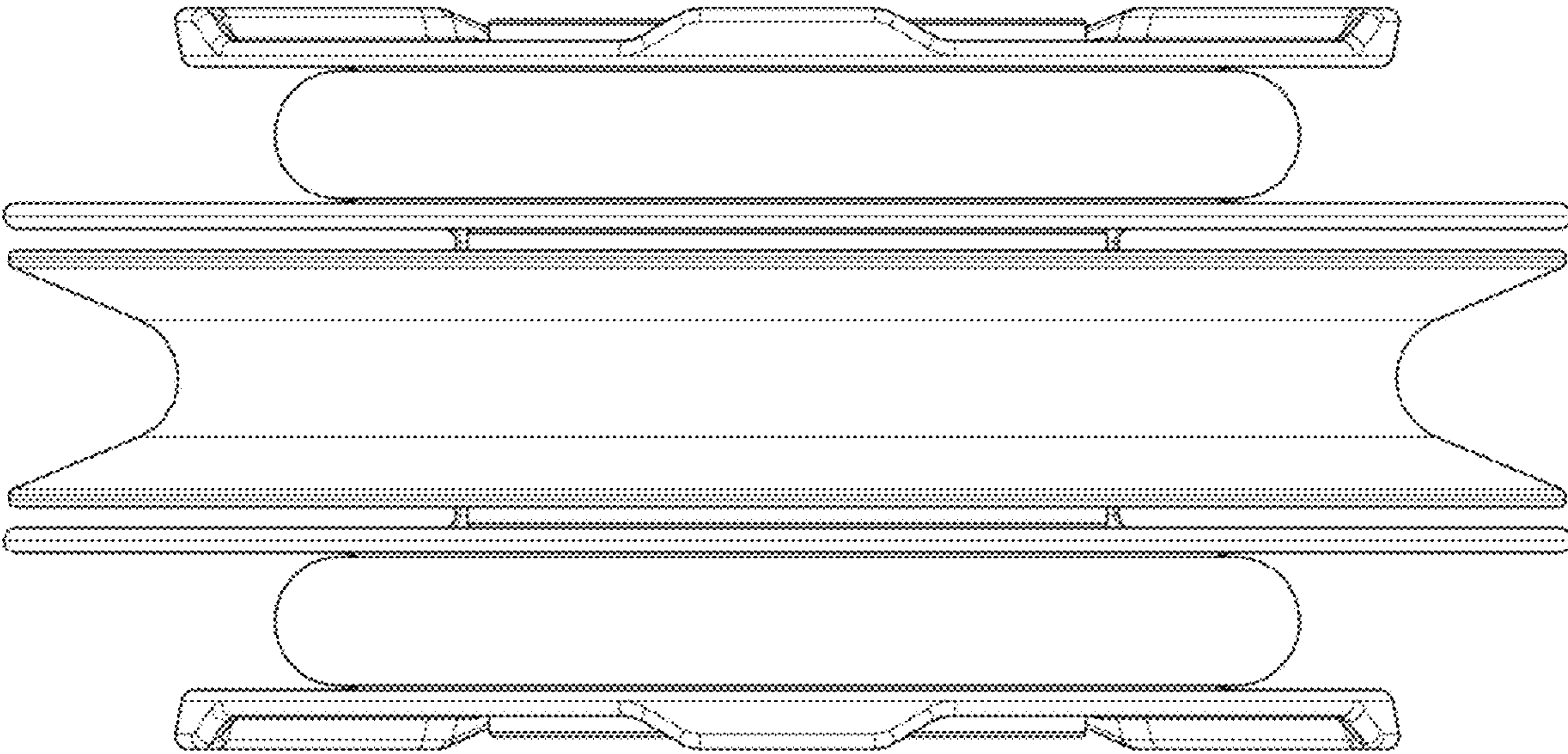


FIG. 5

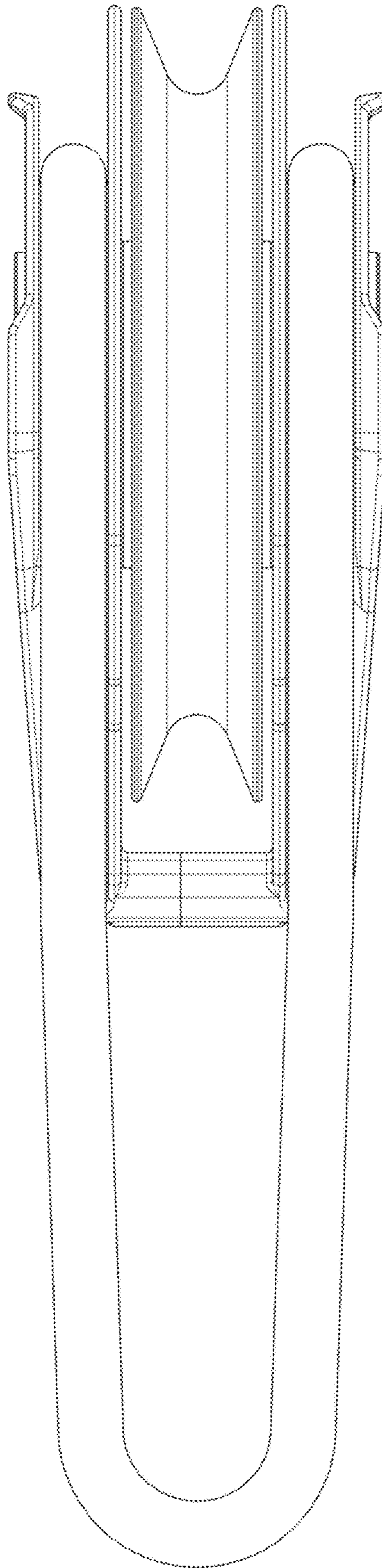


FIG. 6

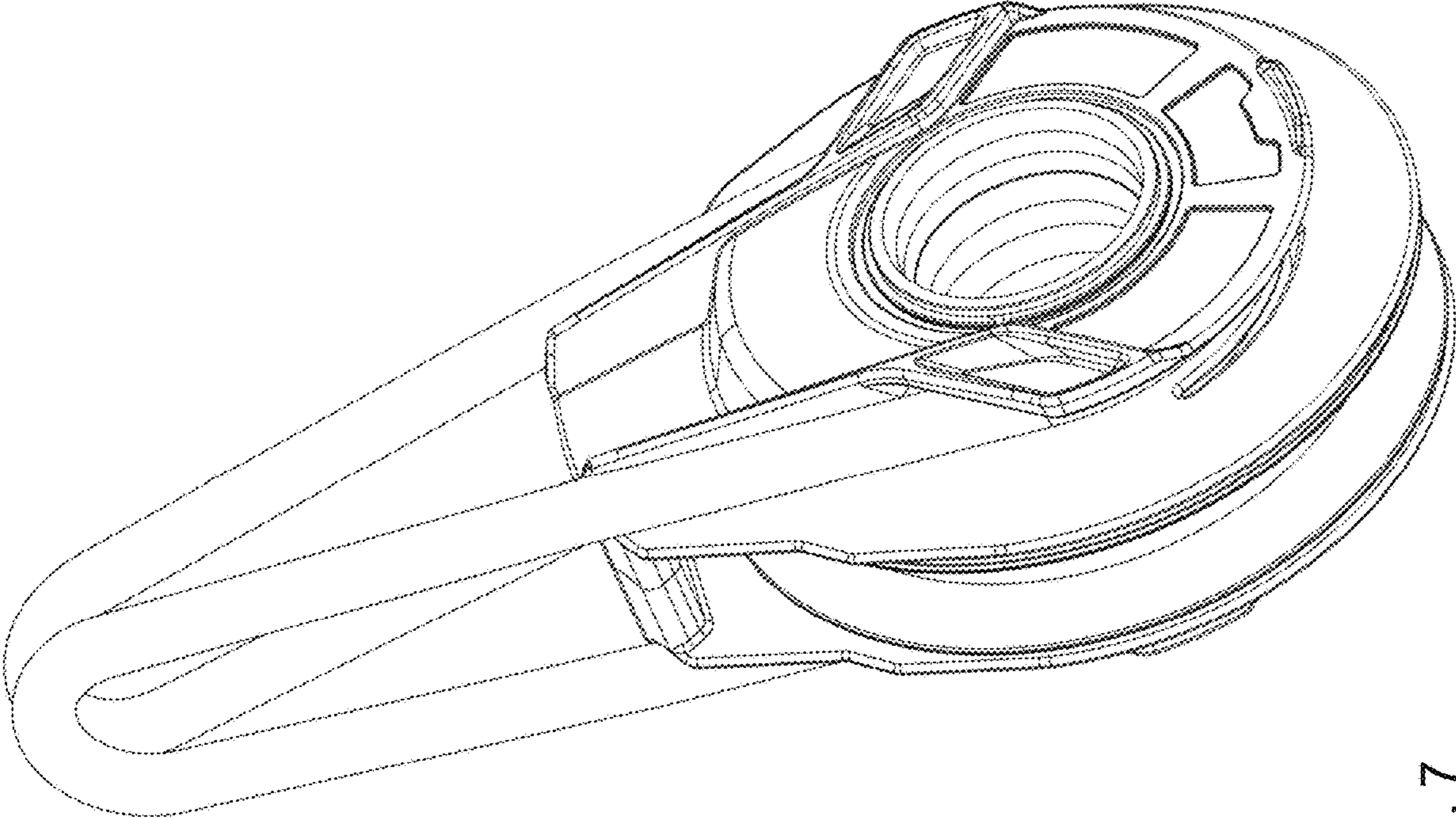


FIG. 7