



US00D908474S

(12) **United States Design Patent**
McDuff et al.

(10) **Patent No.:** **US D908,474 S**

(45) **Date of Patent:** **** Jan. 26, 2021**

(54) **PULLEY BALANCING DEVICE FOR WINDOWS**

(71) Applicant: **FENESTRATION SOLUTIONS AUSTRALIA PTY LTD**, Chelsea Heights (AU)

(72) Inventors: **Shane Hedley McDuff**, Chelsea Heights (AU); **Nigel David Proctor**, Chelsea Heights (AU); **Yuri Dolgikh**, Chelsea Heights (AU); **Drew Phillip Anthony**, Chelsea Heights (AU); **David John Ackland**, Chelsea Heights (AU)

(73) Assignee: **FENESTRATION SOLUTIONS AUSTRALIA PTY LTD**, Chelsea Heights (AU)

(**) Term: **15 Years**

(21) Appl. No.: **29/677,307**

(22) Filed: **Jan. 18, 2019**

(30) **Foreign Application Priority Data**

Jul. 18, 2018 (AU) 201814276

(51) **LOC (13) Cl.** **08-05**

(52) **U.S. Cl.**
USPC **D8/360**

(58) **Field of Classification Search**
USPC D8/360, 356, 354, 349; D30/139; D11/218; 254/390; 24/129 R
CPC A62B 1/18; B66D 1/36; B66D 3/04
See application file for complete search history.

(56) **References Cited**

U.S. PATENT DOCUMENTS

D16,980 S * 11/1886 Kuhn D8/360
352,539 A * 11/1886 Handy B66D 3/04
254/412

D28,397 S * 3/1898 Ocumpaugh D8/360
D202,294 S * 9/1965 Heifetz D8/396
4,079,916 A * 3/1978 Einhorn B66D 3/04
254/390
4,834,331 A * 5/1989 Domingo G09F 7/20
242/129.6
5,154,401 A * 10/1992 Schramm B66D 3/06
254/390
D330,671 S * 11/1992 Greene D34/33
6,244,570 B1 * 6/2001 Habberstad B66D 3/046
254/399
D687,700 S * 8/2013 Petzl D8/360
8,579,261 B1 * 11/2013 Liao F16C 35/073
254/412
D738,285 S * 9/2015 Franta D12/317
D848,254 S * 5/2019 Sasaki D8/394
D875,506 S * 2/2020 Neves D8/356
D887,821 S * 6/2020 Franta D8/360

FOREIGN PATENT DOCUMENTS

AU 765474 B2 9/2003

* cited by examiner

Primary Examiner — Cynthia R Underwood

(74) *Attorney, Agent, or Firm* — Scully, Scott, Murphy & Presser, P.C.

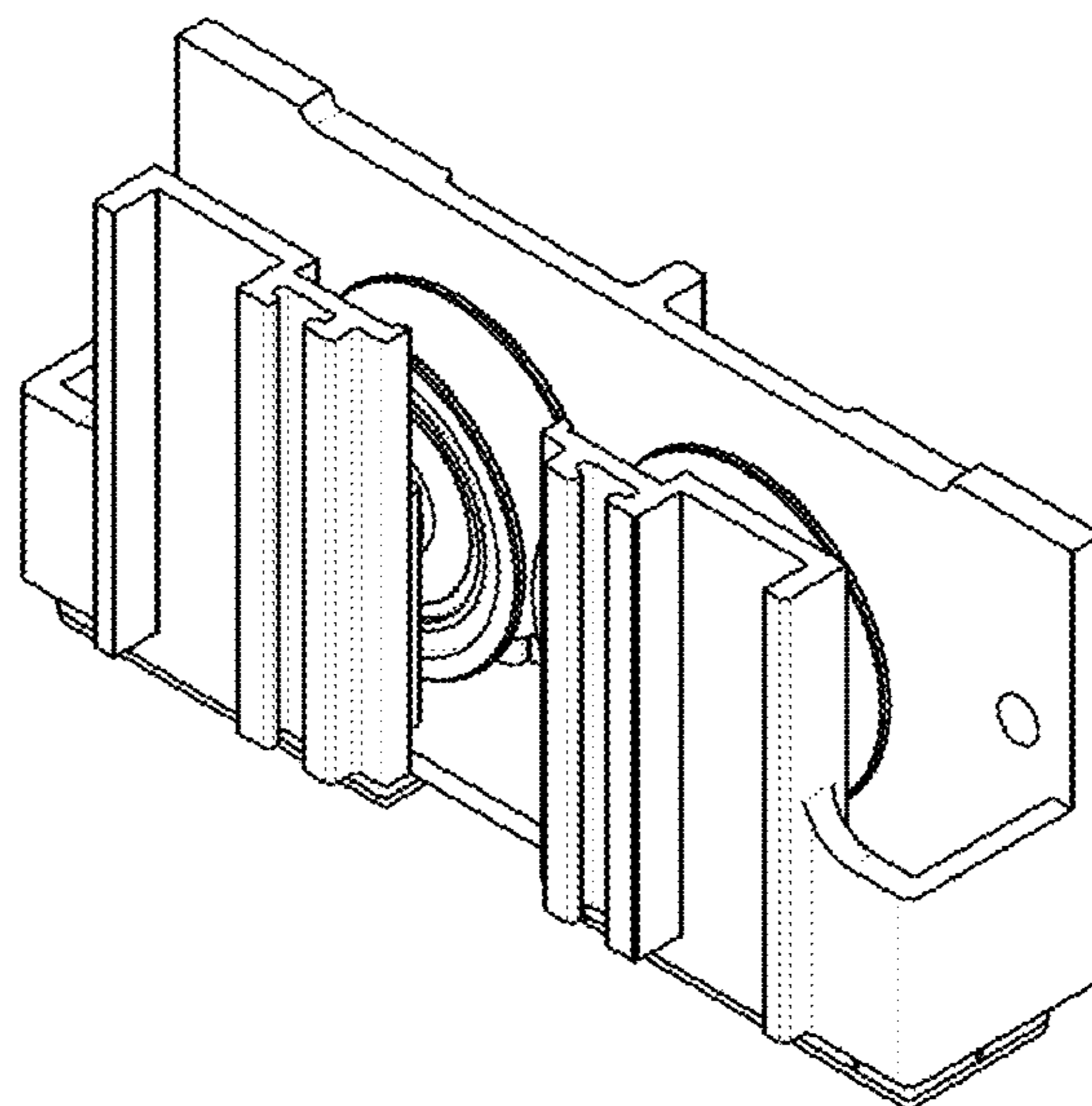
(57) **CLAIM**

The ornamental design for a pulley balancing device for windows, as shown.

DESCRIPTION

FIG. 1 is a front perspective view of a pulley balancing device for windows showing our new design; FIG. 2 is a top plan view thereof; FIG. 3 is a bottom plan view thereof; FIG. 4 is a left side elevation view thereof; FIG. 5 is a right side elevation view thereof; FIG. 6 is a front elevation view thereof; and, FIG. 7 is a rear elevation view thereof.

1 Claim, 7 Drawing Sheets



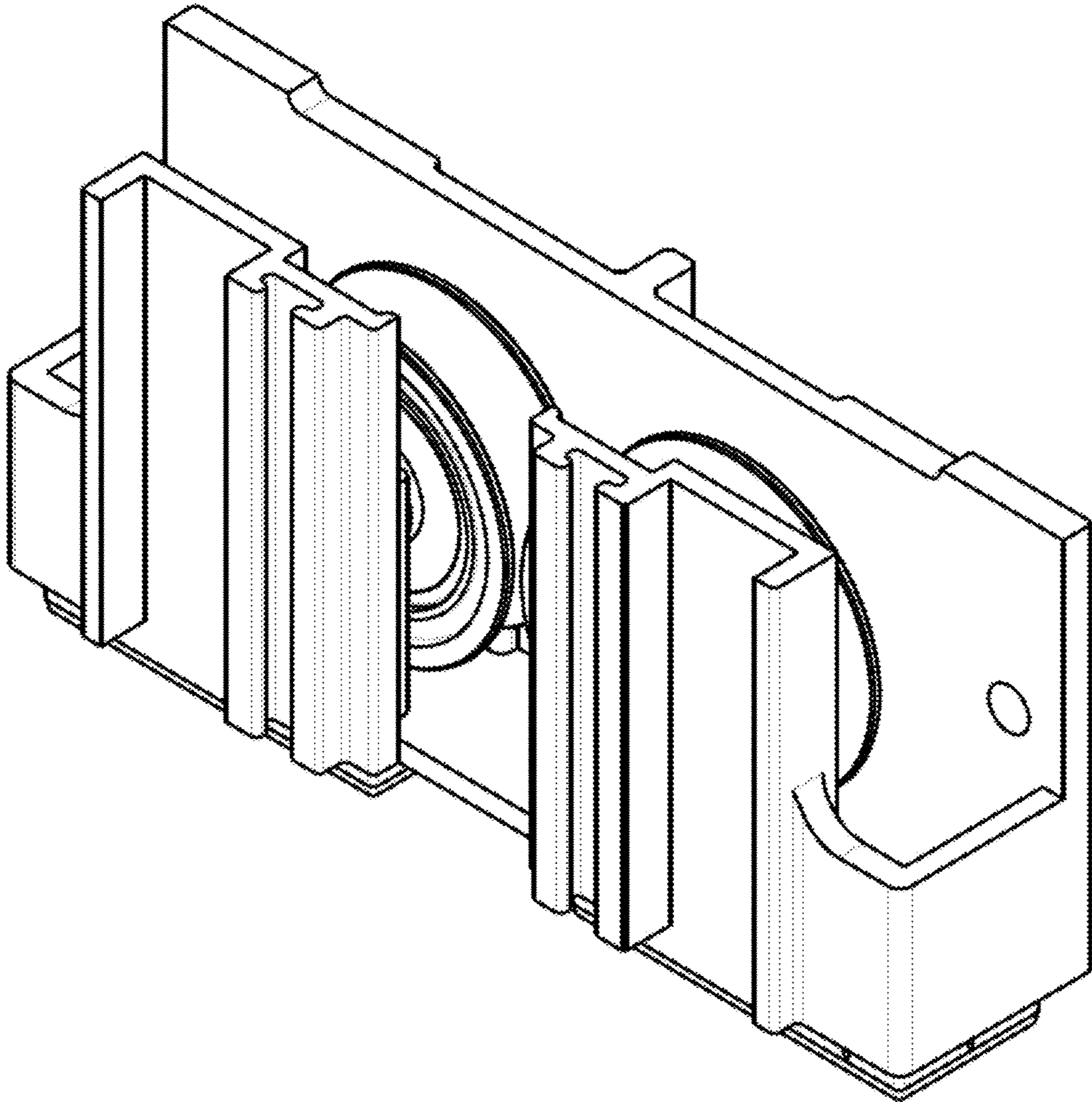


FIG. 1

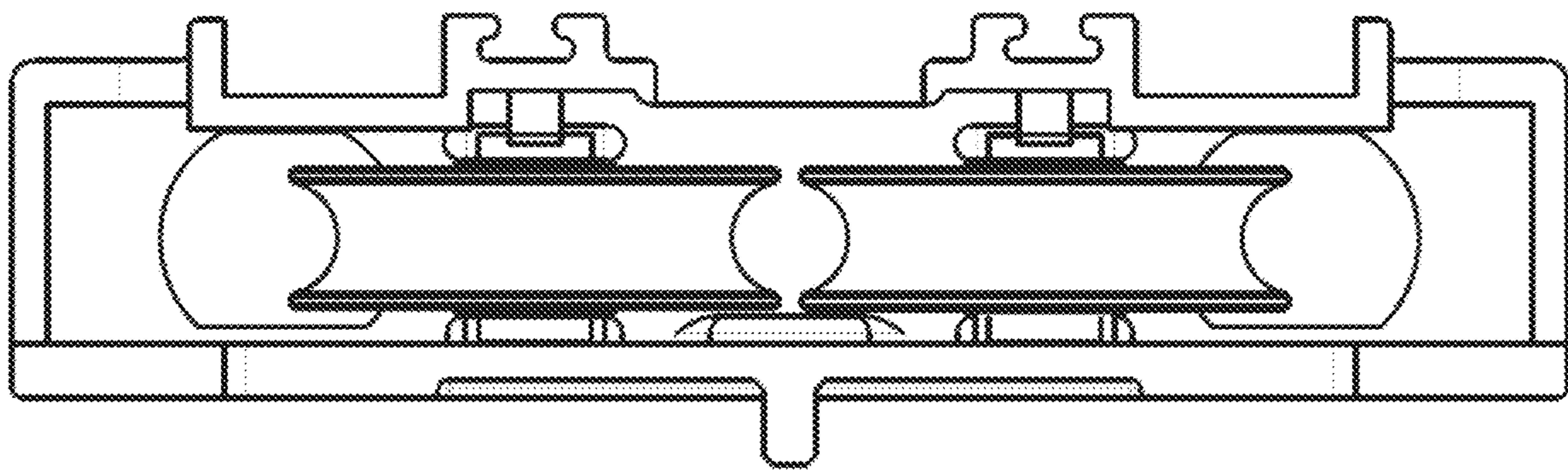


FIG. 2

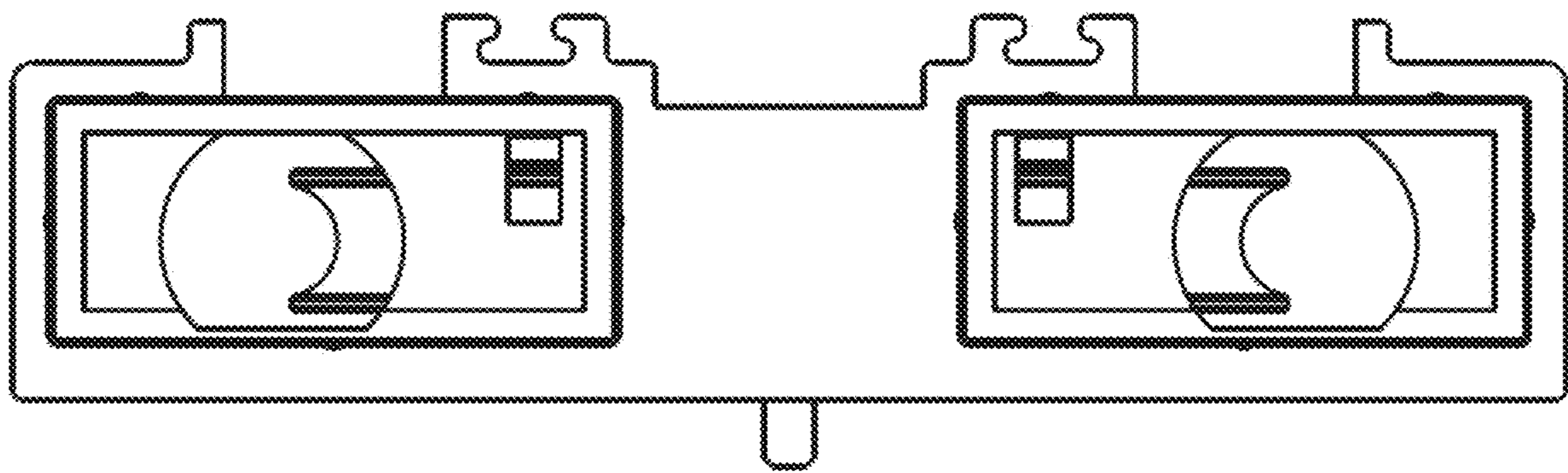


FIG. 3

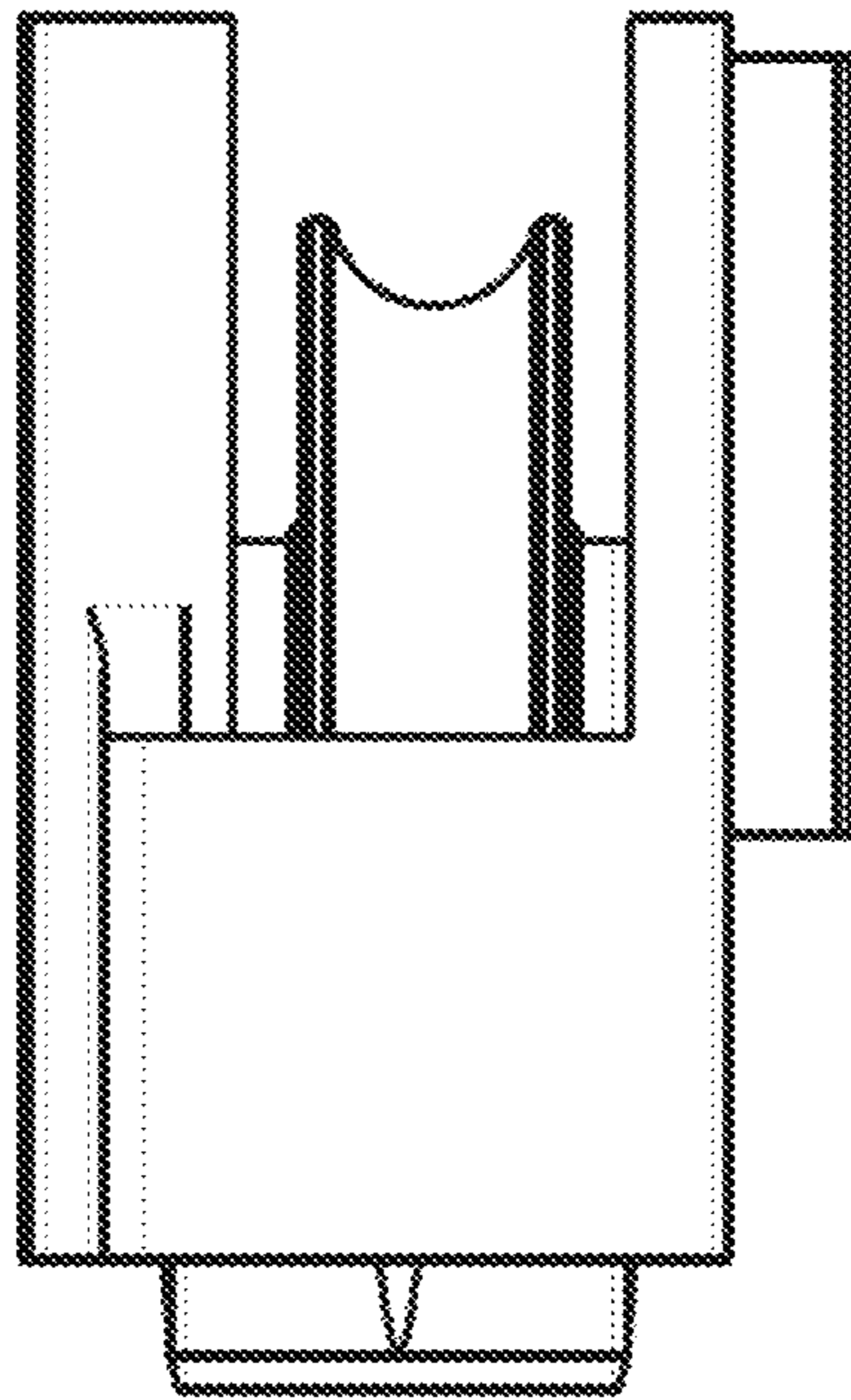


FIG. 4

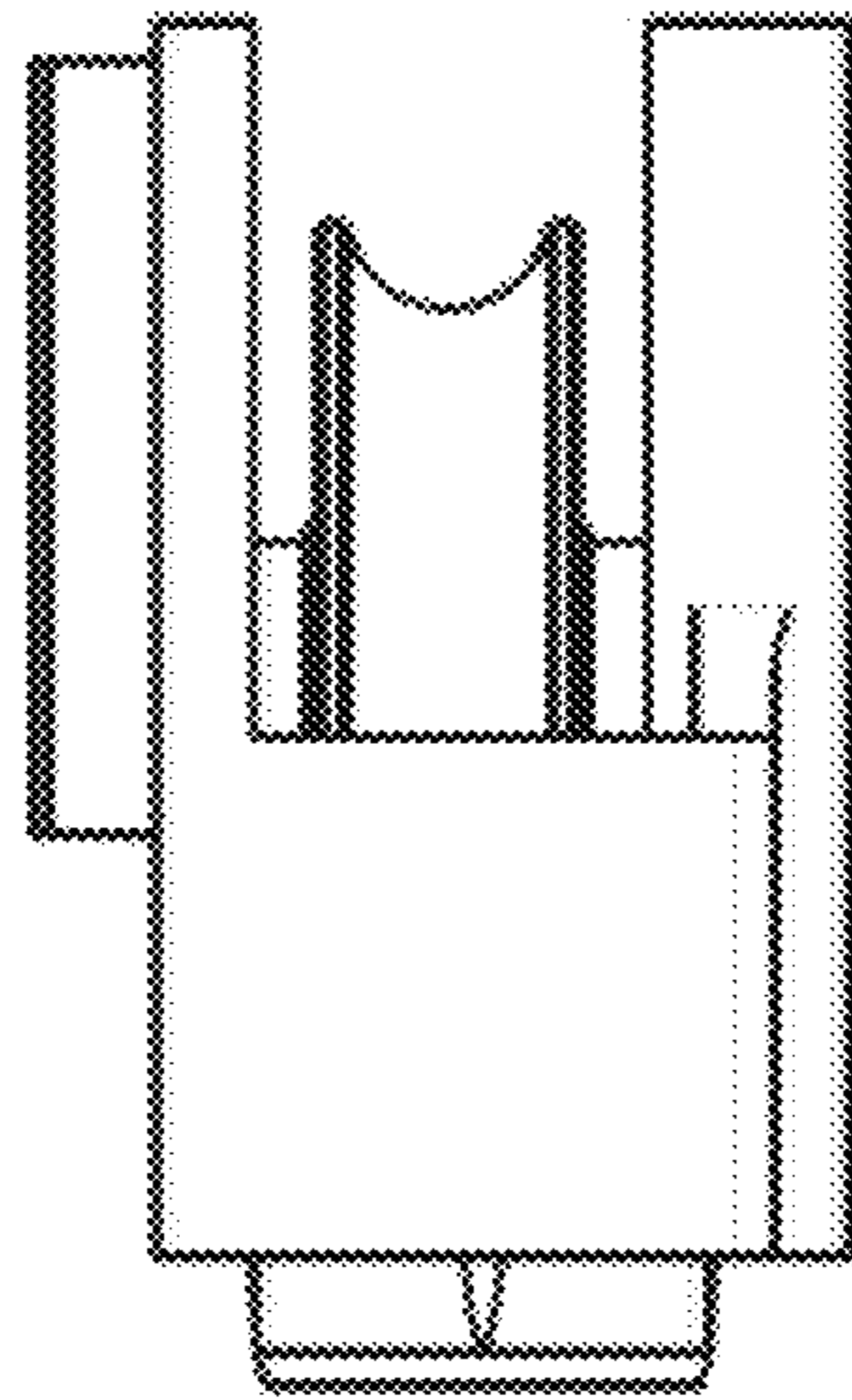


FIG. 5

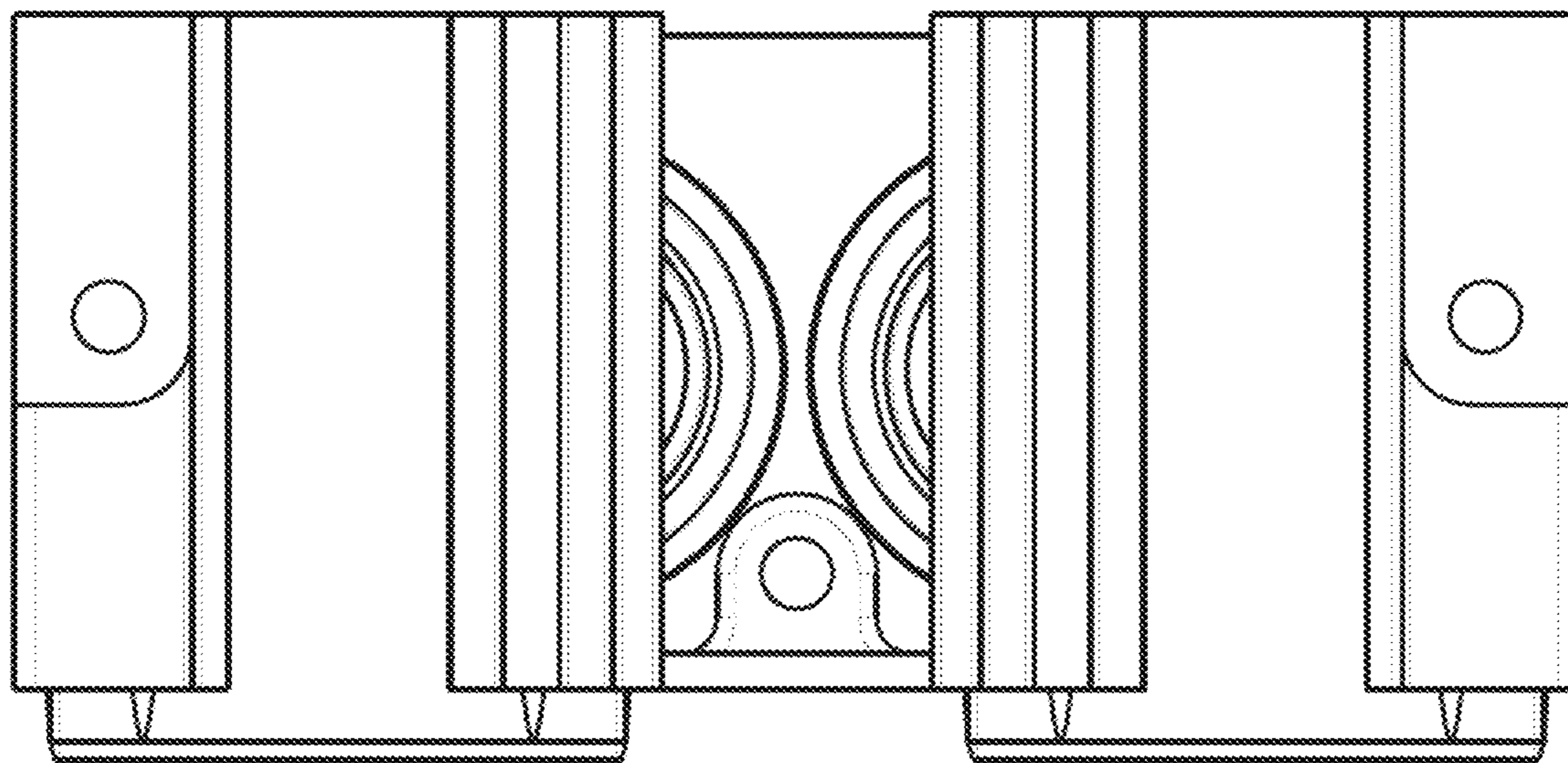


FIG. 6

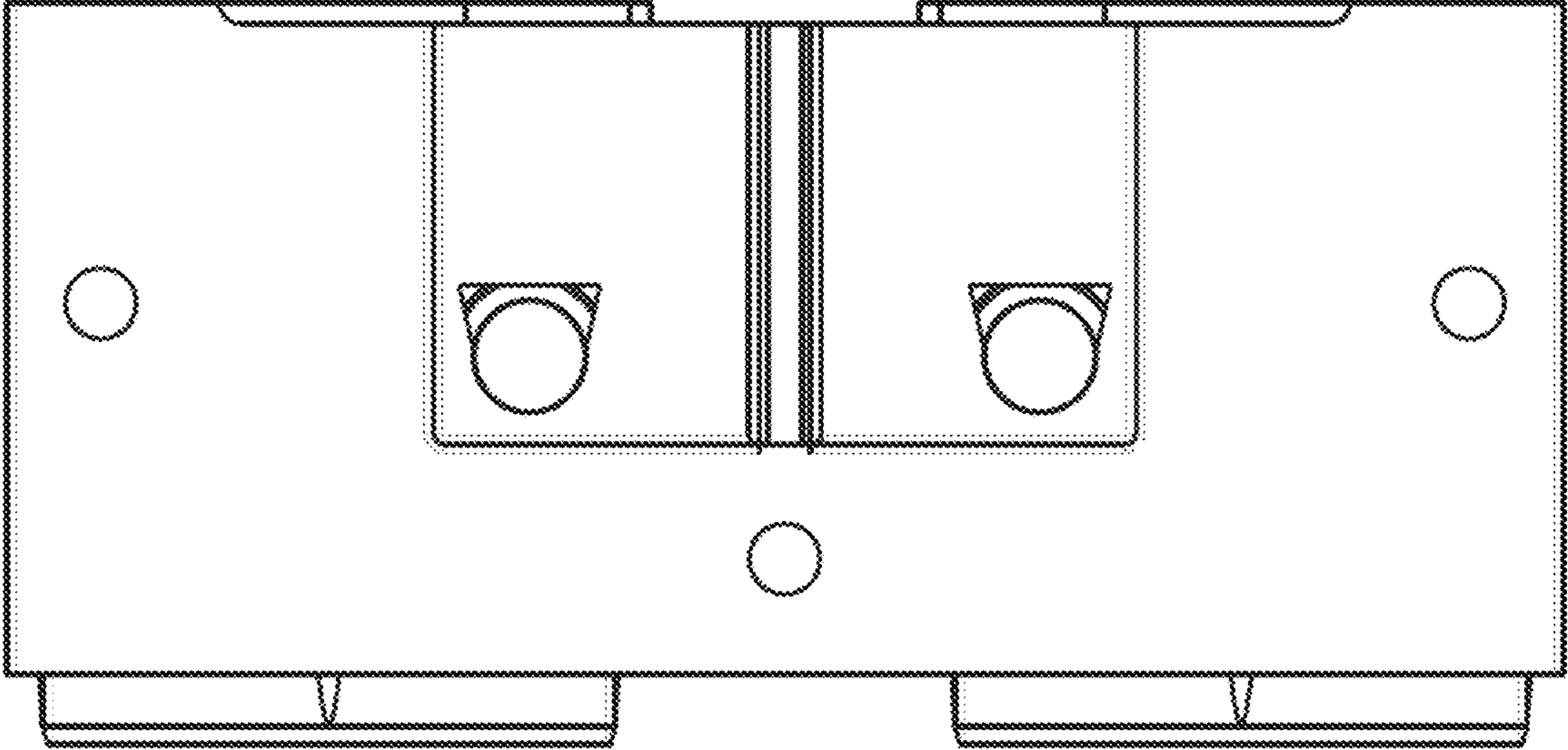


FIG. 7