



US00D908473S

(12) **United States Design Patent** (10) **Patent No.:** **US D908,473 S**
Montes et al. (45) **Date of Patent:** **** Jan. 26, 2021**

(54) **WINCH FAIRLEAD**

(71) Applicant: **Agency 6 Inc.**, Roseville, CA (US)

(72) Inventors: **Kenneth Montes**, Roseville, CA (US);
Leon A. Wauters, Roseville, CA (US)

(73) Assignee: **Agency 6 Inc.**, Roseville, CA (US)

(**) Term: **15 Years**

(21) Appl. No.: **29/689,531**

(22) Filed: **Apr. 30, 2019**

(51) **LOC (13) Cl.** **09-06**

(52) **U.S. Cl.**
USPC **D8/356**

(58) **Field of Classification Search**
USPC D8/354, 356, 358, 359, 360, 16, 19, 45;
D12/124, 162, 223; D15/16
CPC B65H 57/16; B63B 21/045; B63B 59/02;
B60D 1/18; E02D 5/803; Y10T 24/3918
See application file for complete search history.

(56) **References Cited**

U.S. PATENT DOCUMENTS

D731,293 S *	6/2015	Fretz	D8/356
D807,731 S *	1/2018	Fretz	D8/356
D807,732 S *	1/2018	Fretz	D8/356
D807,733 S *	1/2018	Fretz	D8/356

OTHER PUBLICATIONS

Warren Epic Fairlead, posted on morris4X4center.com, no posted date given, no production date given, [online], [site visited Aug. 17, 2020], available from internet, URL: https://www.morris4x4center.com/warn-epic-1-5-fairlead-black.html?gclid=CjwKCAjw1ej5BRBhEiwAfHyh1LRMv5SEb8sypC_Av3PUx070uhDIDoeYr66t (Year: 2020).*

factor55.com, "Hawse Fairleads," <https://factor55.com/product/hawse-fairleads/>, downloaded on Apr. 29, 2019.
smittybilt.com, "Smittybilt Aluminum Hawse Fairleads," <https://www.smittybilt.com/product/index/96.htm>, downloaded on Apr. 29, 2019.
customsplice.com, "Fairleads," <https://customsplice.com/collections/fairleads>, downloaded on Apr. 29, 2019.
warn.com, "Products Tagged with 'Epic Fairlead'," <https://www.warn.com/producttag/28/epic-fairlead>, downloaded on Apr. 29, 2019.
warn.com, "Products Tagged with 'Premium Fairlead'," <https://www.warn.com/producttag/29/premium-fairlead>, downloaded on Apr. 29, 2019.

* cited by examiner

Primary Examiner — Michael C Stout
Assistant Examiner — Fritzgerald L Butac
(74) *Attorney, Agent, or Firm* — Law Office of Andrei D Popovici, PC

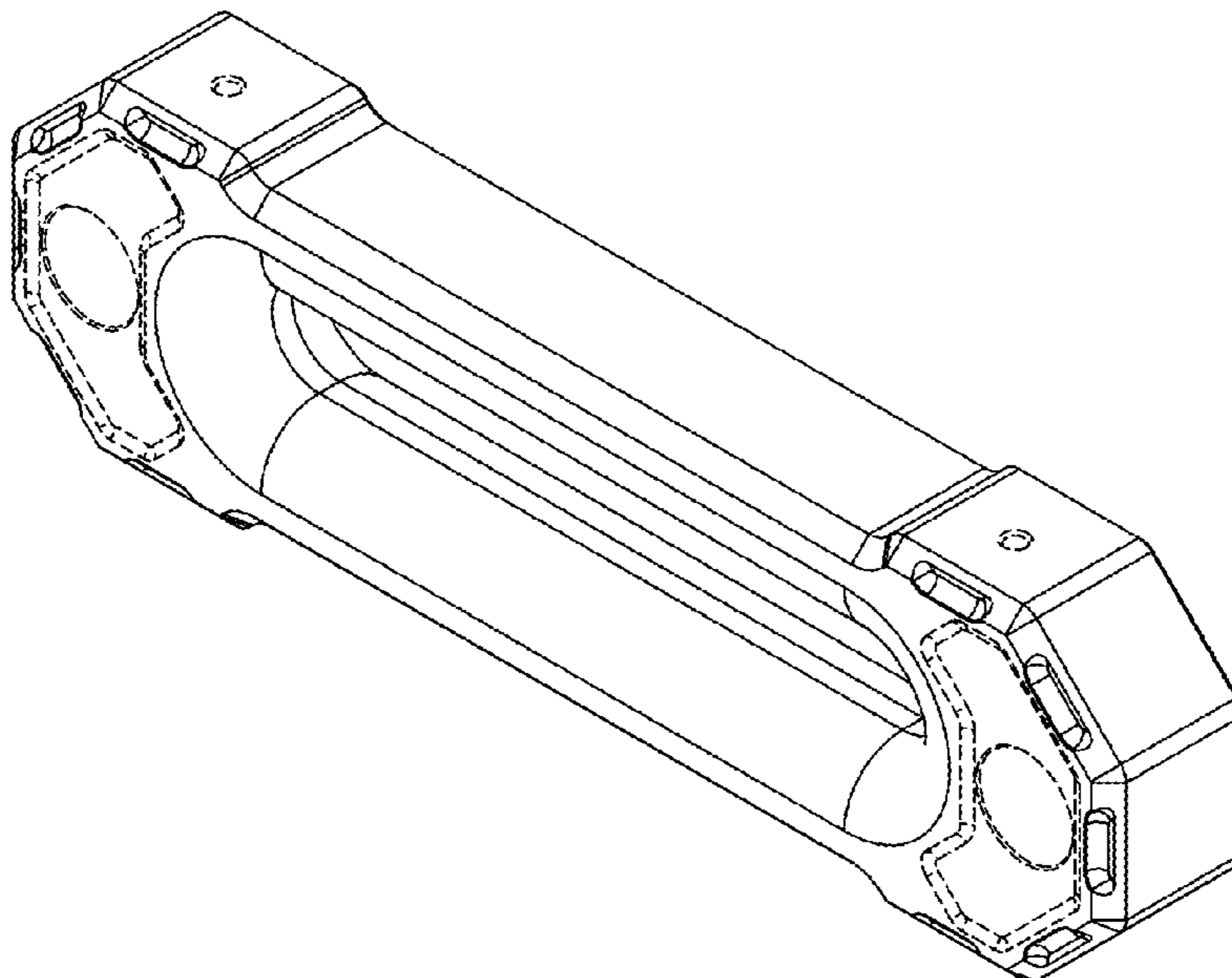
(57) **CLAIM**

What is claimed is the ornamental design for a winch fairlead, as shown and described.

DESCRIPTION

FIG. 1 shows an isometric view of a first side of a winch fairlead.
FIG. 2 shows an isometric view of a second side of a winch fairlead.
FIG. 3 shows a top plan view of a winch fairlead.
FIG. 4 shows a bottom plan view of a winch fairlead
FIG. 5 shows a left elevation view of a winch fairlead.
FIG. 6 shows a right elevation view of a winch fairlead.
FIG. 7 shows a front elevation view of a winch fairlead; and,
FIG. 8 shows a rear elevation view of a winch fairlead.
The broken lines show portions of a winch fairlead that form no part of the claimed design.

1 Claim, 4 Drawing Sheets



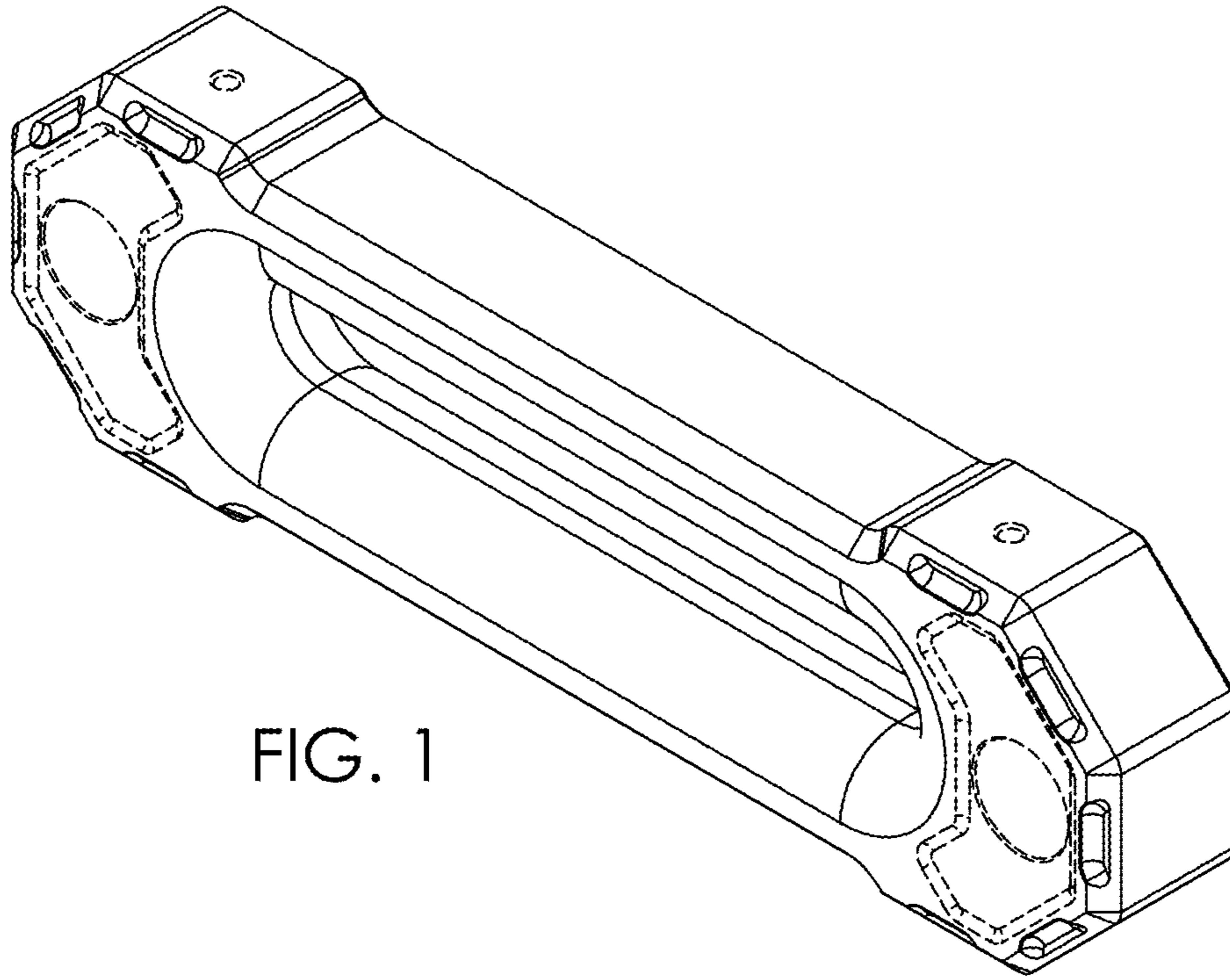


FIG. 1

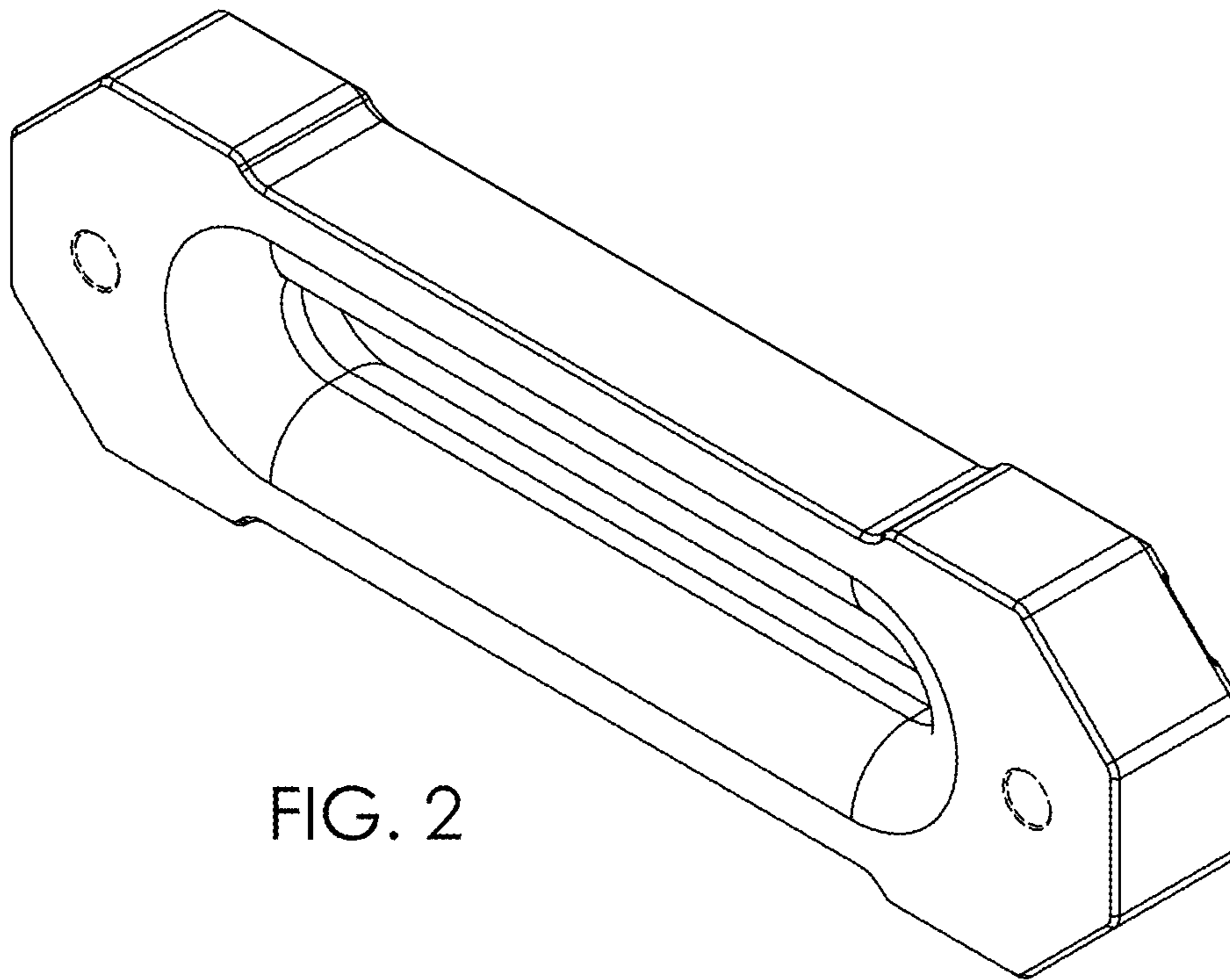


FIG. 2

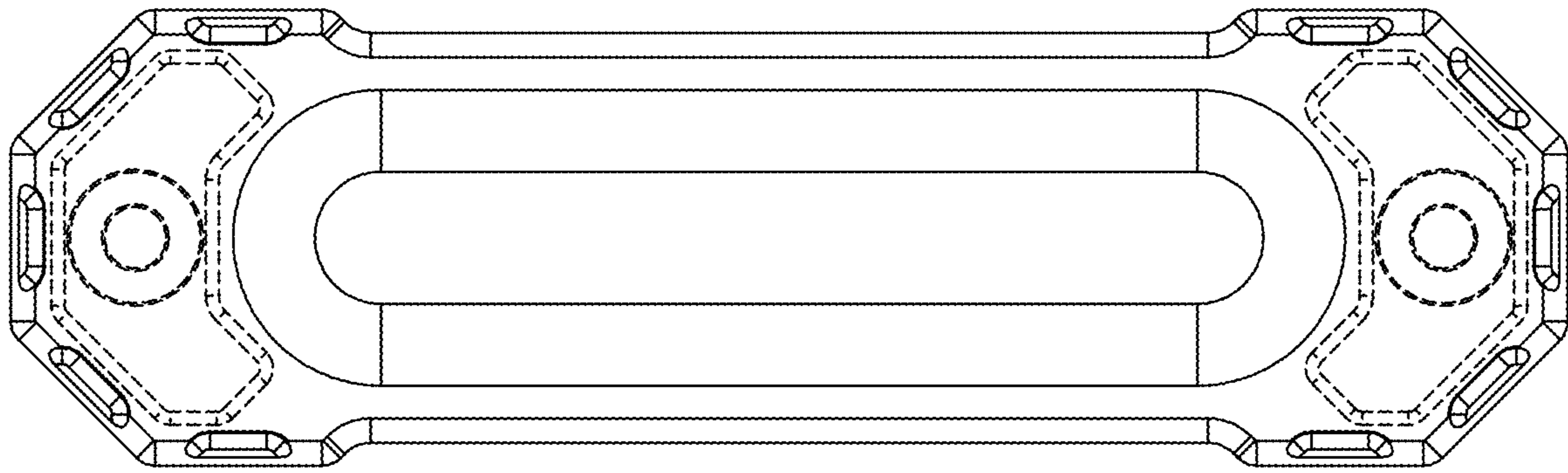


FIG. 3

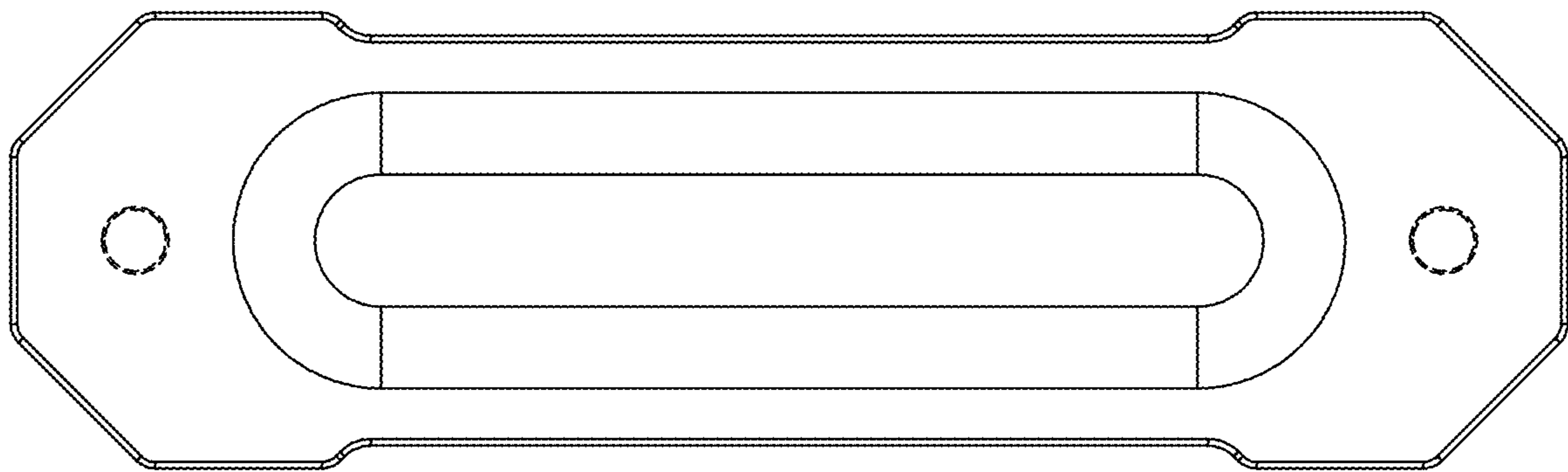


FIG. 4

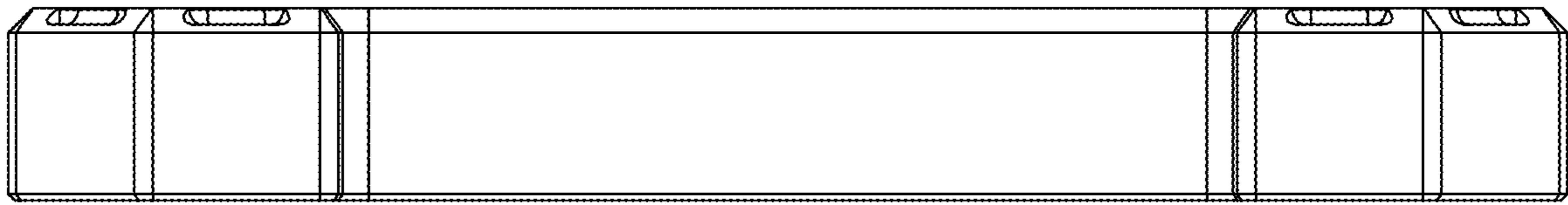


FIG. 5

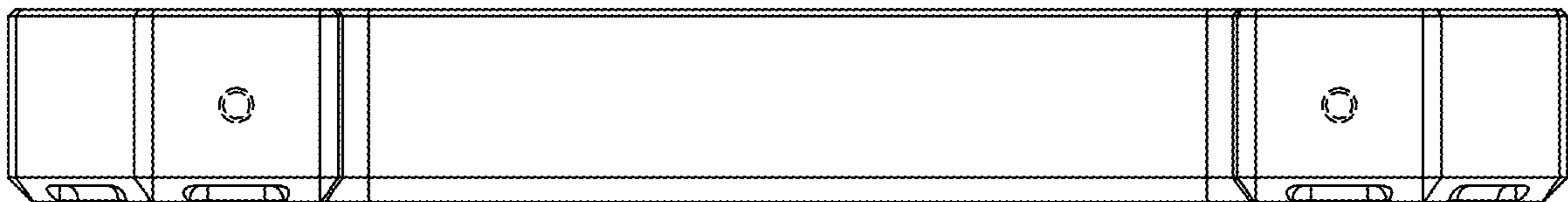


FIG. 6

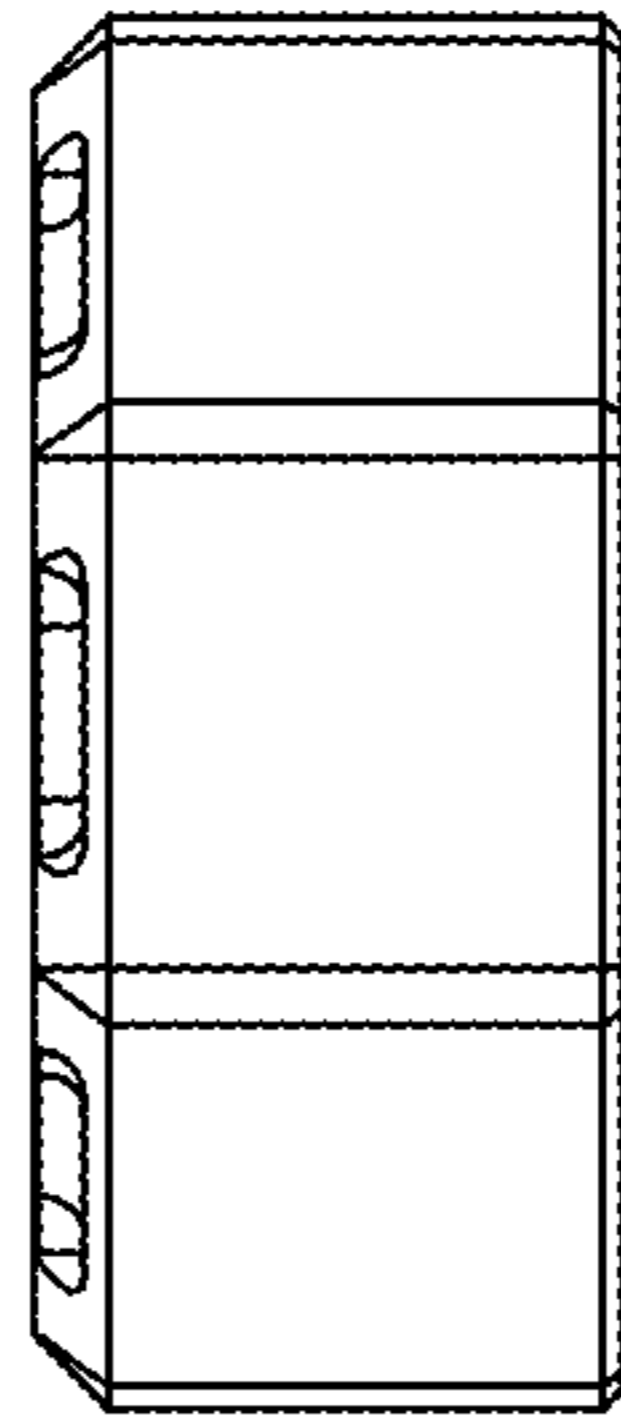


FIG. 7

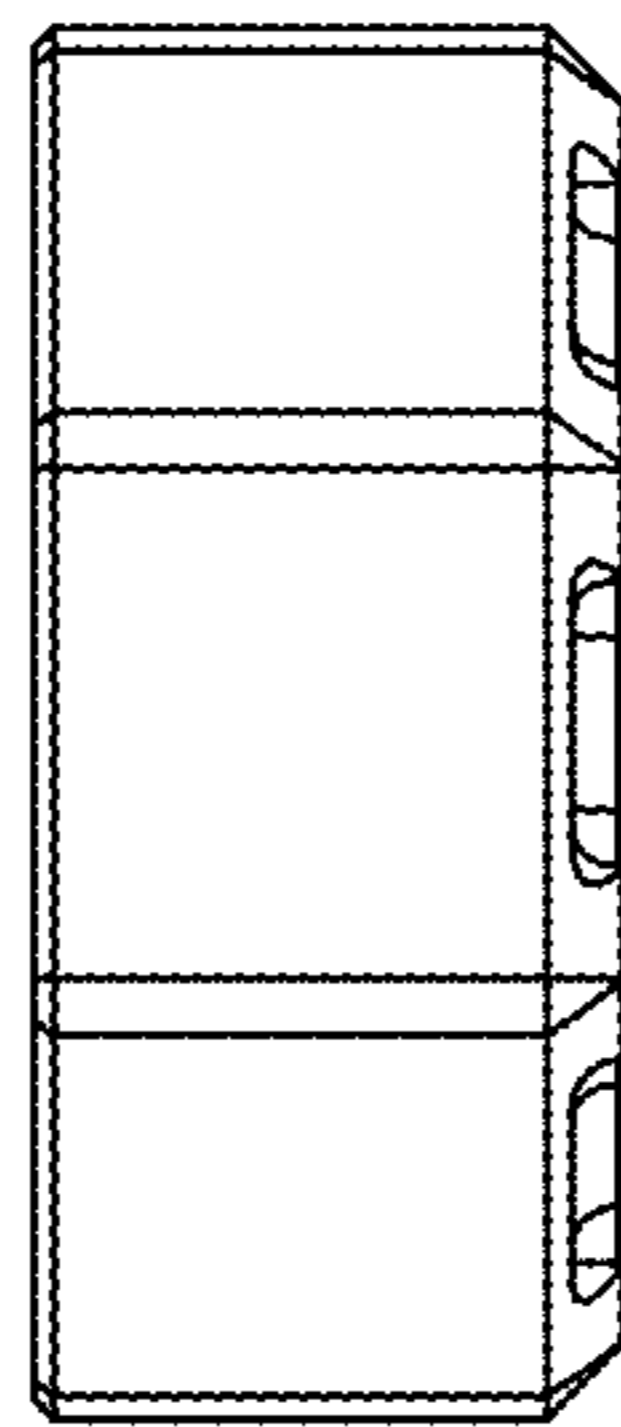


FIG. 8