

US00D908472S

(12) **United States Design Patent**  
**Zhang**

(10) **Patent No.:** **US D908,472 S**

(45) **Date of Patent:** **\*\* Jan. 26, 2021**

(54) **SCREEN PROTECTOR APPLICATOR**

(71) Applicant: **Ping Zhang**, Bradfordwoods, PA (US)

(72) Inventor: **Ping Zhang**, Bradfordwoods, PA (US)

(\*\*) Term: **15 Years**

(21) Appl. No.: **29/703,530**

(22) Filed: **Aug. 28, 2019**

(51) **LOC (13) Cl.** ..... **08-05**

(52) **U.S. Cl.**  
USPC ..... **D8/354**

(58) **Field of Classification Search**  
USPC .... D14/217, 238.1, 240, 248, 250, 251–253,  
D14/439, 440, 447; D13/107–108,  
D13/103–119; D3/201, 218, 247, 269,  
D3/273, 301, 303; D8/354  
CPC ..... H04B 1/3888; H04M 1/0283; H04M  
1/0202; A45C 1/06; A45C 11/00; A45C  
13/02; A45C 2011/002; A45F 2005/026;  
A45F 2200/0525; A45F 2200/0516;  
H05K 13/00; H05K 13/0015  
See application file for complete search history.

(56) **References Cited**

**U.S. PATENT DOCUMENTS**

D478,497 S *	8/2003	Curtas .....	D8/354
D484,508 S *	12/2003	Crippen .....	D14/439
D662,929 S *	7/2012	Fahrendorff .....	D14/250
D679,694 S *	4/2013	Fahrendorff .....	D14/250
D679,695 S *	4/2013	Fahrendorff .....	D14/250
D696,238 S *	12/2013	Murchison .....	D14/250
D696,240 S *	12/2013	Kim .....	D14/250
D705,206 S *	5/2014	Gengler .....	D14/250
D710,839 S *	8/2014	Chang .....	D14/250
D721,357 S *	1/2015	Johnson .....	D14/250
D797,546 S *	9/2017	Saideh .....	D8/354
D821,384 S *	6/2018	Jordin .....	D14/250

D839,184 S *	1/2019	Li .....	D13/107
D878,381 S *	3/2020	Li .....	D14/447
2016/0015138 A1 *	1/2016	Poon .....	A45C 13/008 224/191
2018/0103134 A1 *	4/2018	Malallah .....	H04M 1/035
2018/0270339 A1 *	9/2018	Pellegrino .....	H04M 1/185

**OTHER PUBLICATIONS**

“Trianium (3 Packs) Screen Protector, [ . . . ]” [online]. Trianium. [Date first available Jul. 18, 2018]. Retrieved from the Internet: <<https://www.amazon.com/dp/B07FNYD5RQ>>.\*

“TOZO Compatible for iPhone 12 Pro Max Screen Protector, [ . . . ]” [online]. TOZO. [Date first available Oct. 25, 2020]. Retrieved from the Internet: <<https://www.amazon.com/dp/B08GLFV8RJ>>.\*

“Power Theory for iPhone 11/iPhone XR Screen Protector, [ . . . ]” [online]. Power Theory. [Date first available Nov. 27, 2018]. Retrieved from the Internet: <<https://www.amazon.com/dp/B07KWB4V75>>.\*

\* cited by examiner

*Primary Examiner* — Mojtaba Tehrani

(74) *Attorney, Agent, or Firm* — IPro, PLLC

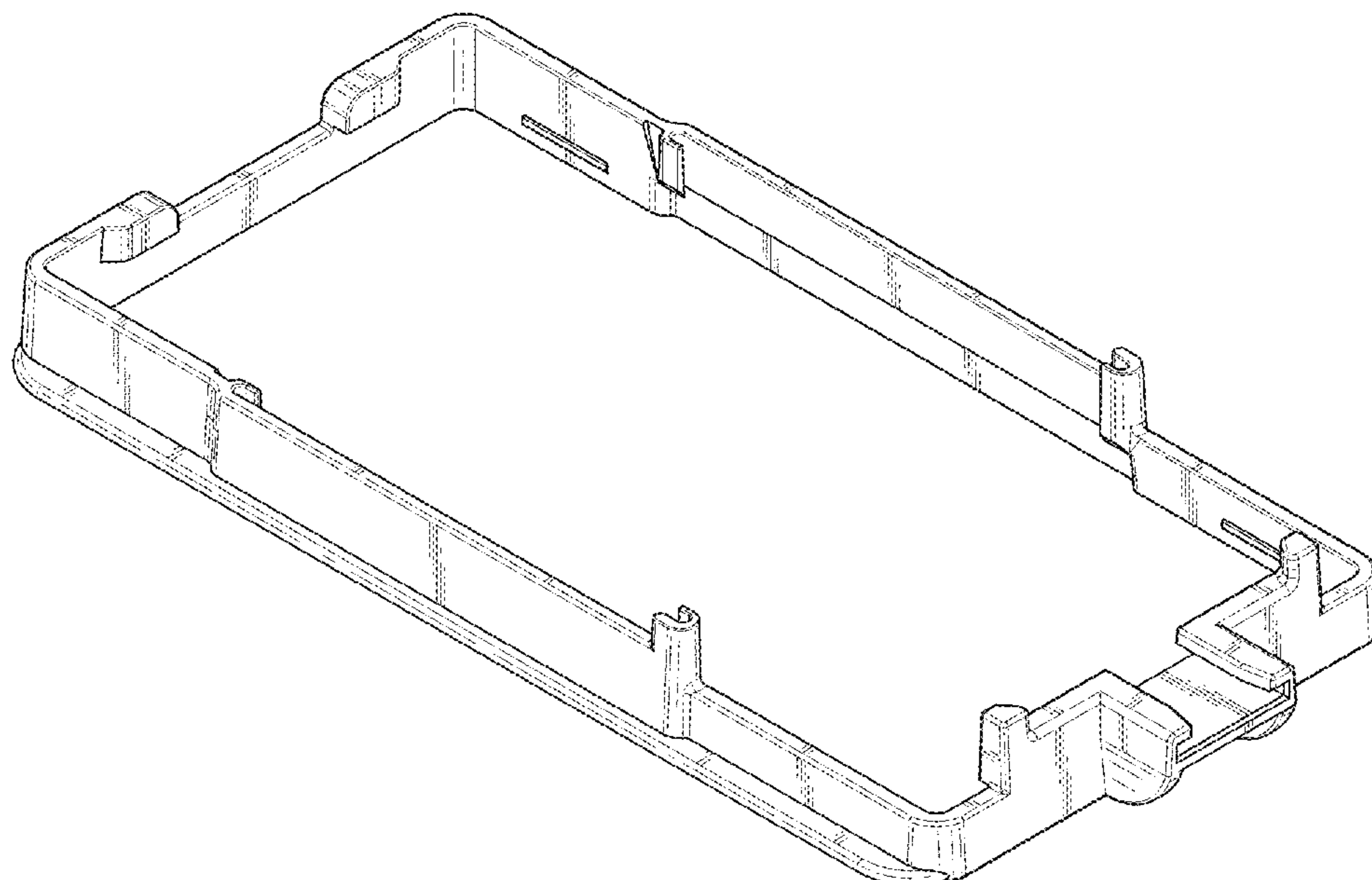
(57) **CLAIM**

The ornamental design for a screen protector applicator, as shown and described.

**DESCRIPTION**

FIG. 1 is a perspective view of a screen protector applicator embodying the new design;  
FIG. 2 is a front view thereof;  
FIG. 3 is a back view thereof;  
FIG. 4 is a side view thereof;  
FIG. 5 is another side view thereof;  
FIG. 6 is a top view thereof; and,  
FIG. 7 is a bottom view thereof.

**1 Claim, 7 Drawing Sheets**



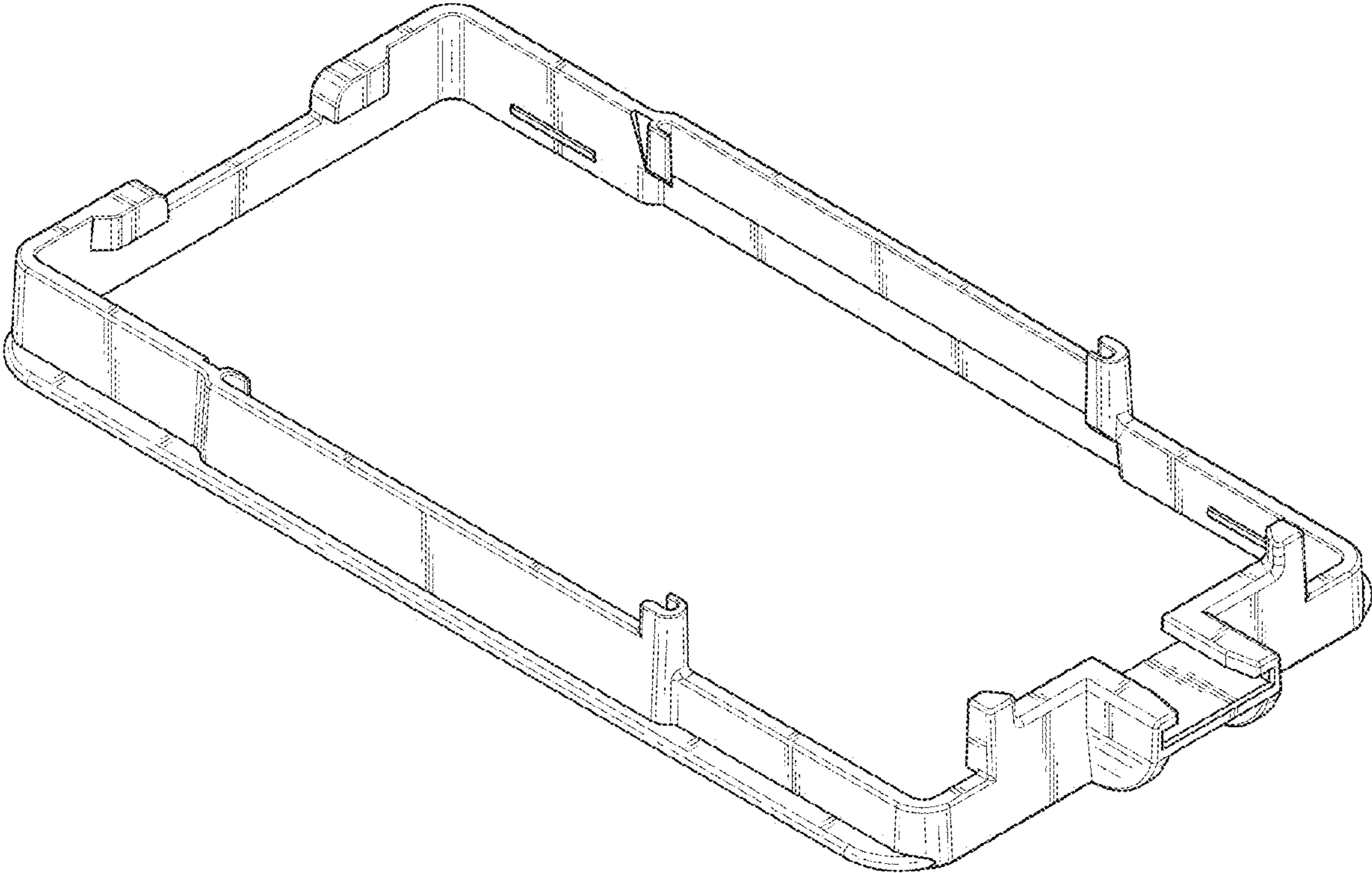


FIG. 1

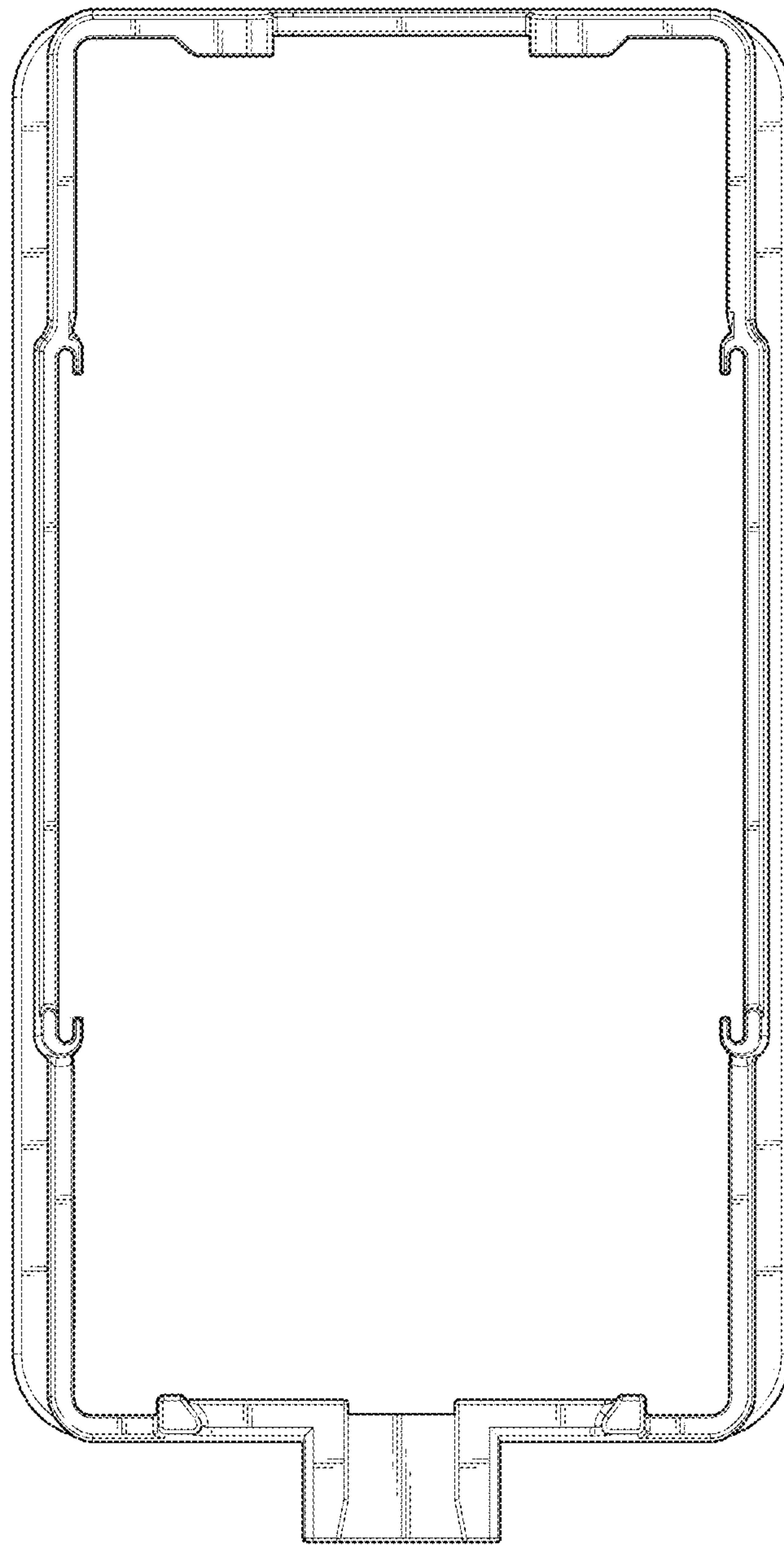


FIG. 2

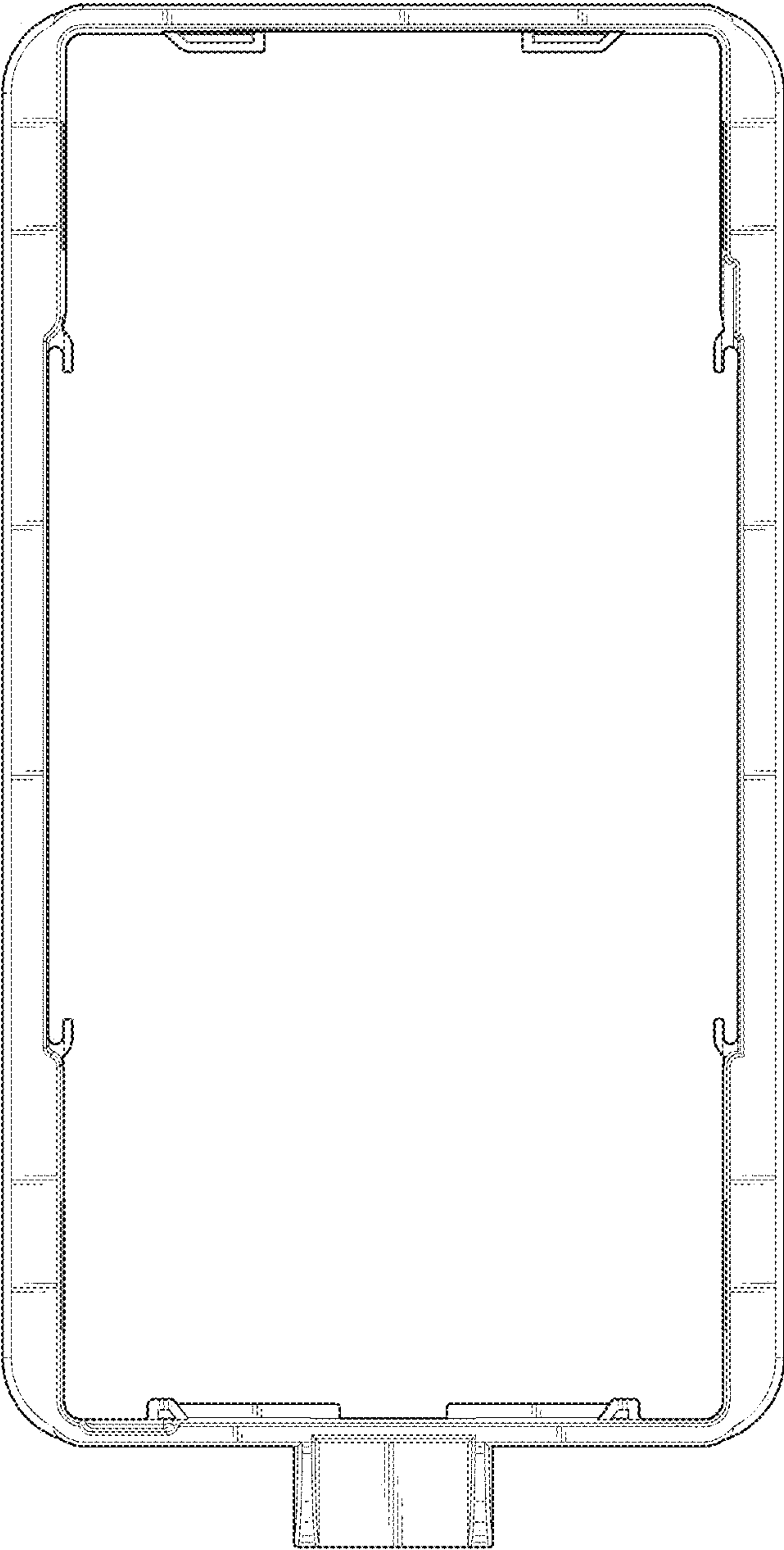


FIG. 3

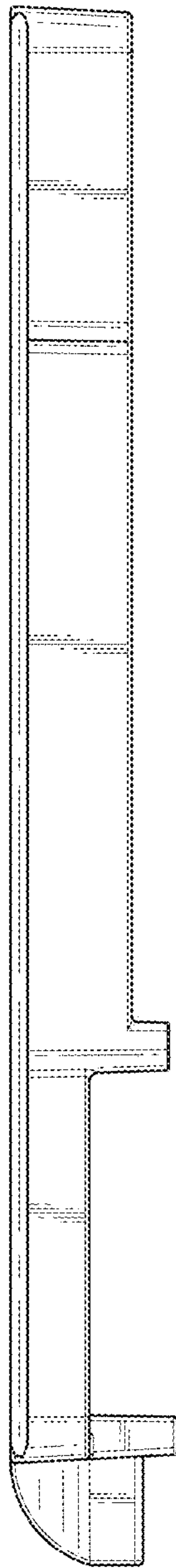


FIG. 4



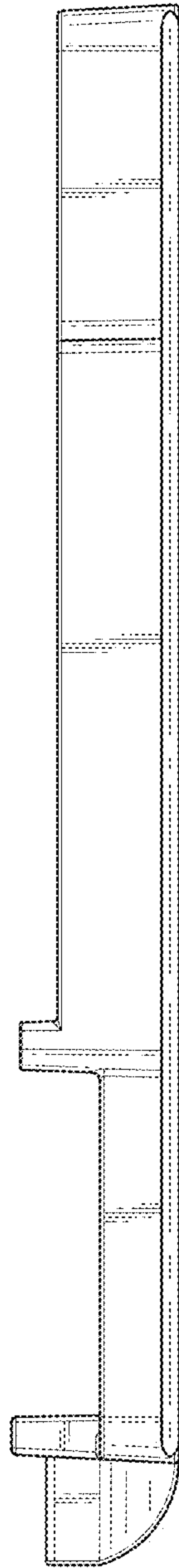


FIG. 5

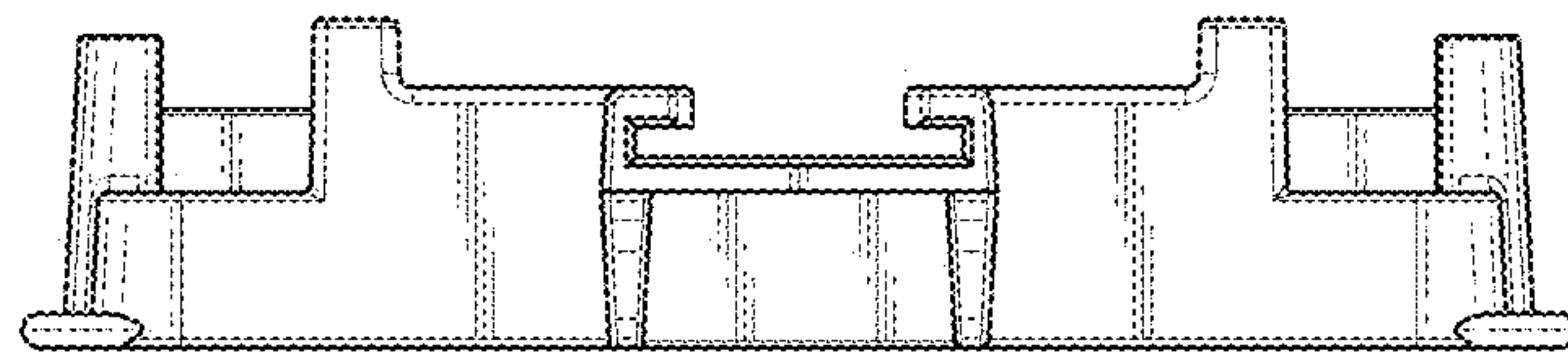


FIG. 6

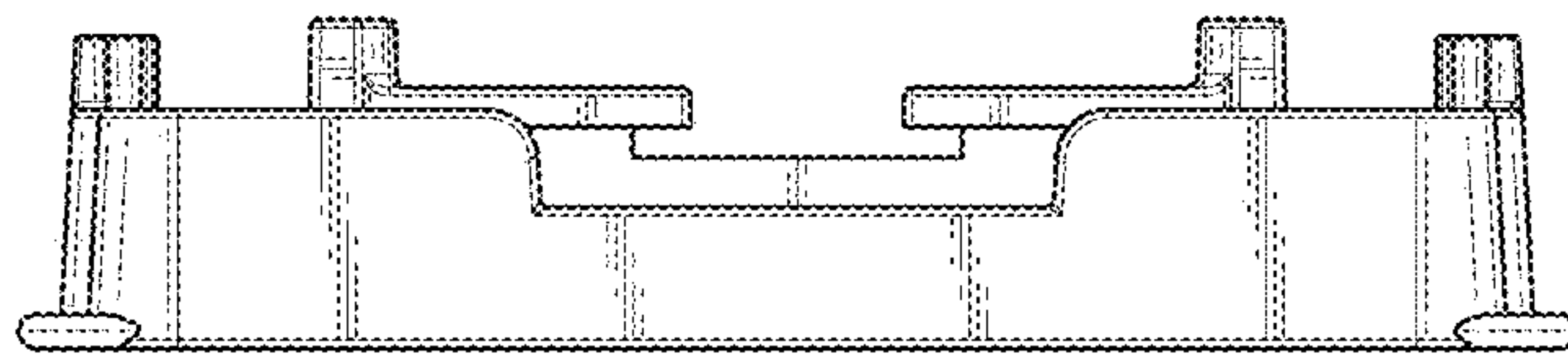


FIG. 7