



US00D908467S

(12) **United States Design Patent**  
**Luebeck**

(10) **Patent No.:** **US D908,467 S**

(45) **Date of Patent:** **\*\* Jan. 26, 2021**

(54) **WIRELESS DOOR LOCK ROSETTE**

(71) Applicant: **Carrier Corporation**, Palm Beach Gardens, FL (US)

(72) Inventor: **Jon Marc Luebeck**, Stayton, OR (US)

(73) Assignee: **CARRIER CORPORATION**, Palm Beach Gardens, FL (US)

(\*\*) Term: **15 Years**

(21) Appl. No.: **29/705,607**

(22) Filed: **Sep. 13, 2019**

(51) **LOC (13) Cl.** ..... **11-05**

(52) **U.S. Cl.**  
USPC ..... **D8/352**; D8/343

(58) **Field of Classification Search**  
USPC ..... D8/343, 350, 352  
CPC ..... E05B 15/002; E05B 15/1614; E05B 2015/1657; E05B 3/06; E05B 3/00; E05B 37/00; E05B 17/00; E05B 17/0012; E05B 13/00; E05B 13/101; E05B 13/106; E05B 13/04; E05B 13/002; E05B 55/06; E05B 47/0676; E05B 9/002; E05B 9/004; E05C 1/10; Y10T 70/8568

See application file for complete search history.

(56) **References Cited**

**U.S. PATENT DOCUMENTS**

7,066,507 B2 \* 6/2006 Don ..... E05B 9/08  
292/169  
D539,115 S \* 3/2007 Hanna ..... D8/343

D582,252 S \* 12/2008 Cameron ..... D8/343  
D635,442 S \* 4/2011 Roberts, III ..... D8/352  
D703,026 S \* 4/2014 Wu ..... D8/350  
8,960,740 B2 \* 2/2015 Huang ..... E05B 15/02  
292/347  
D738,186 S \* 9/2015 Nadgouda ..... D8/331  
9,834,955 B2 \* 12/2017 Ludwig ..... E05B 3/08  
10,145,143 B1 \* 12/2018 Mohammed ..... E05B 47/0038  
10,508,468 B2 \* 12/2019 Murphy ..... E05B 15/0033  
D881,679 S \* 4/2020 Huang ..... D8/350

\* cited by examiner

*Primary Examiner* — Doris Clark

(74) *Attorney, Agent, or Firm* — Carlson, Gaskey & Olds, P.C.

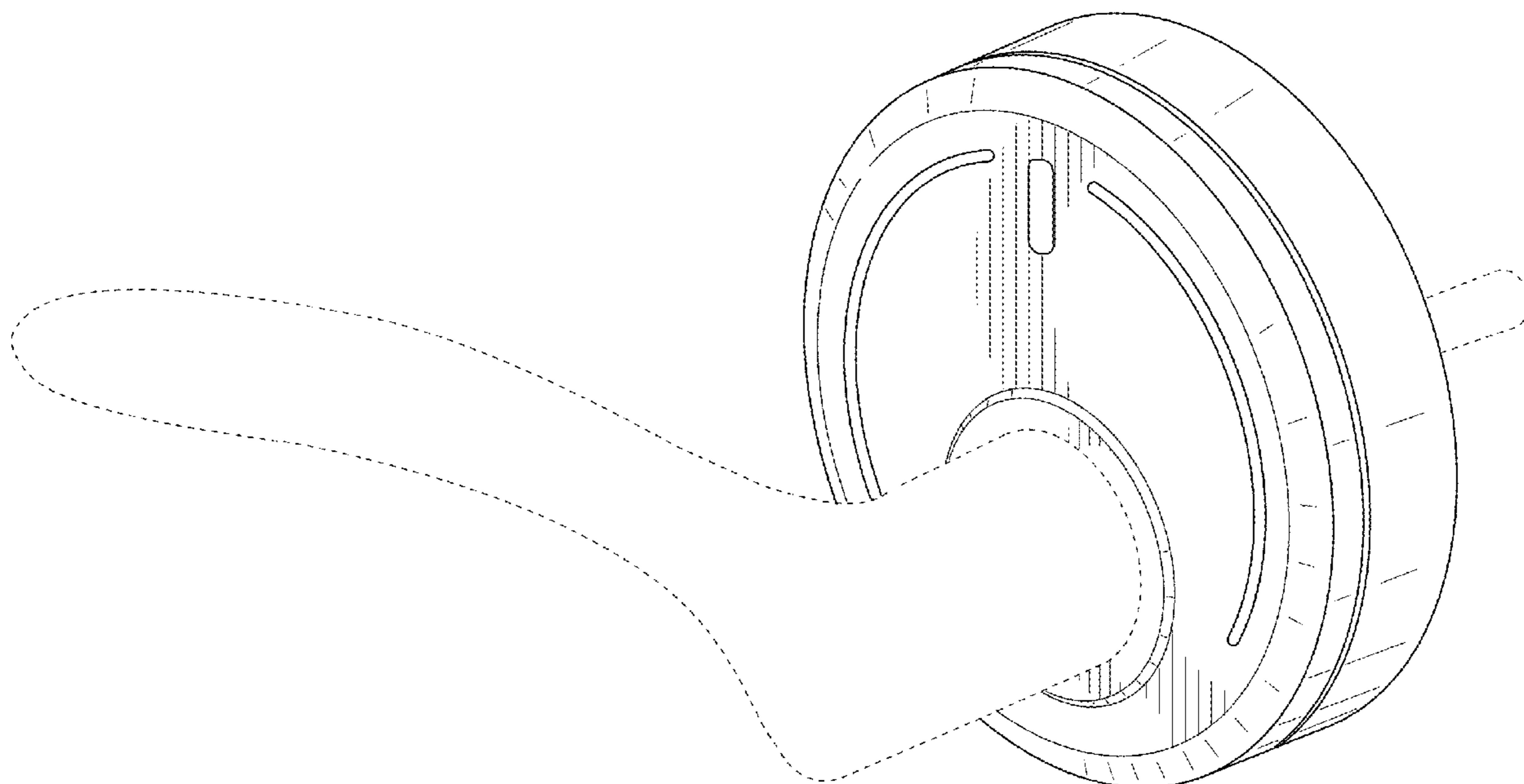
(57) **CLAIM**

I claim the ornamental design for a wireless door lock rosette, as shown and described.

**DESCRIPTION**

FIG. 1 is a front view of a wireless door lock rosette. FIG. 2 is a perspective view of a wireless door lock rosette of FIG. 1. FIG. 3 is a first side view of the wireless door lock rosette of FIG. 1; and, FIG. 4 is second side view of the wireless door lock rosette of FIG. 1 that is opposite the first side view of FIG. 3. The broken lines showing the door handle assembly in the Figures are for illustrative purposes only and form no part of the claimed design. The shade lines in the Figures show contour or the flatness of a surface, and not surface ornamentation.

**1 Claim, 4 Drawing Sheets**



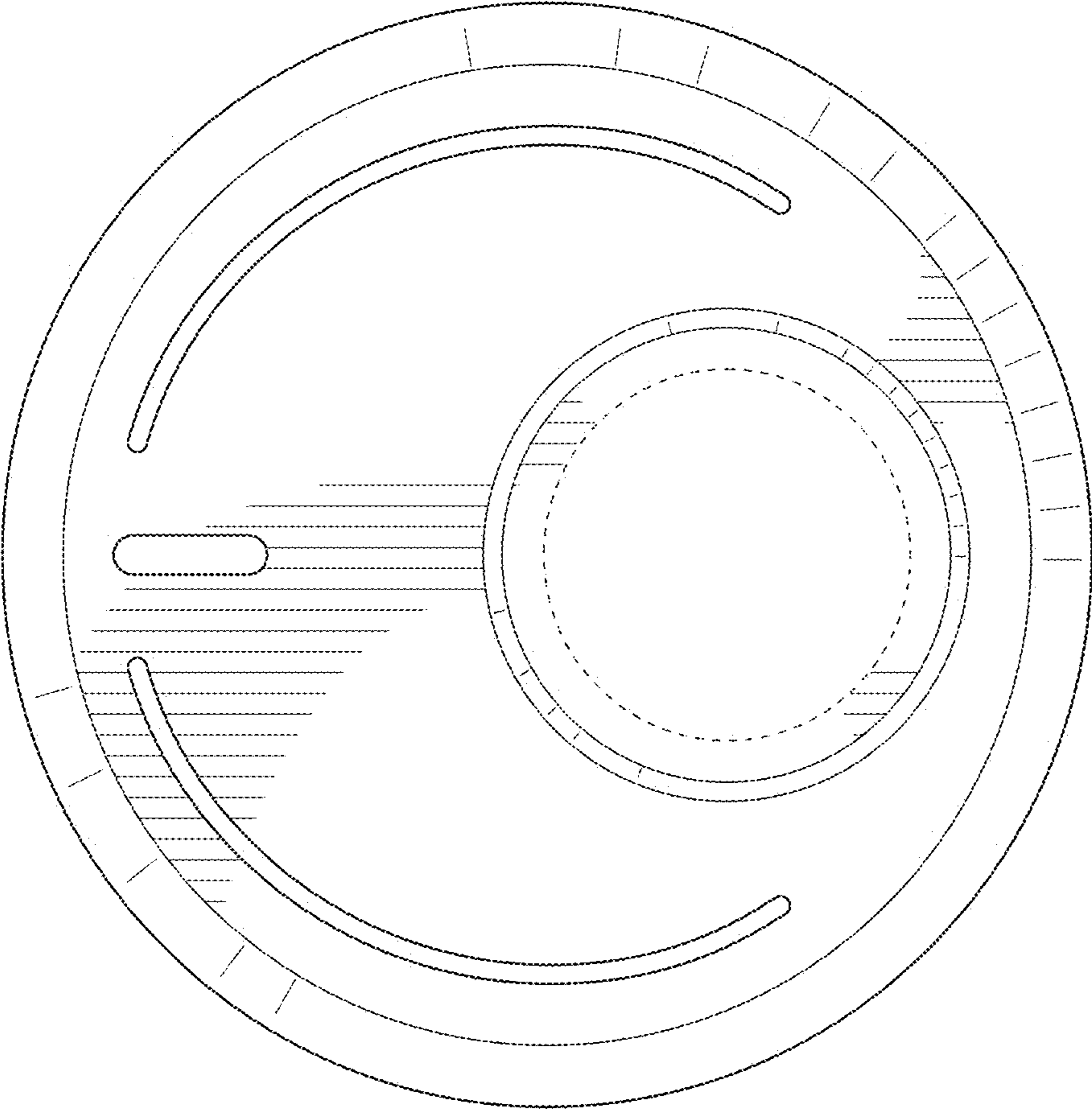


FIG. 1

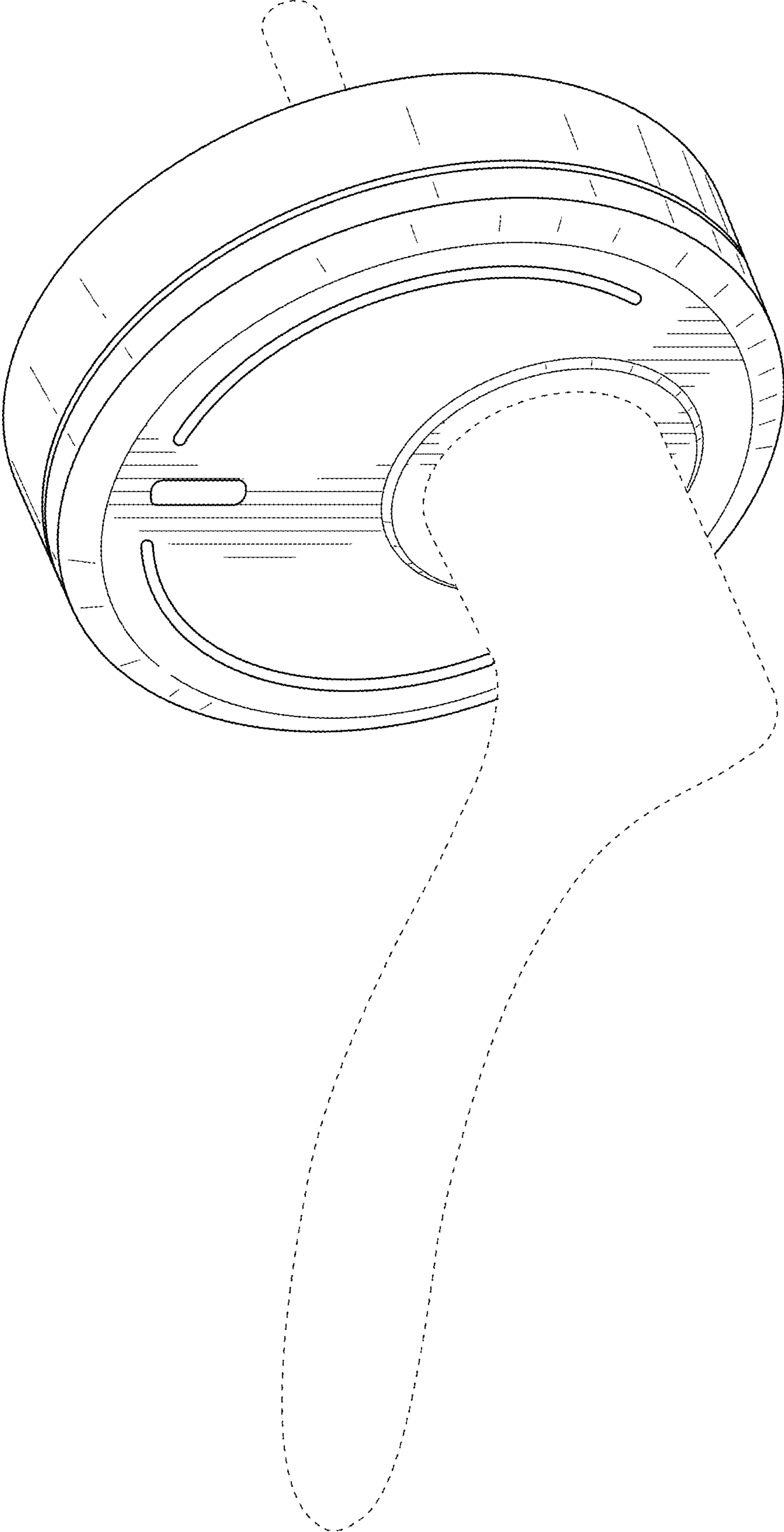


FIG. 2

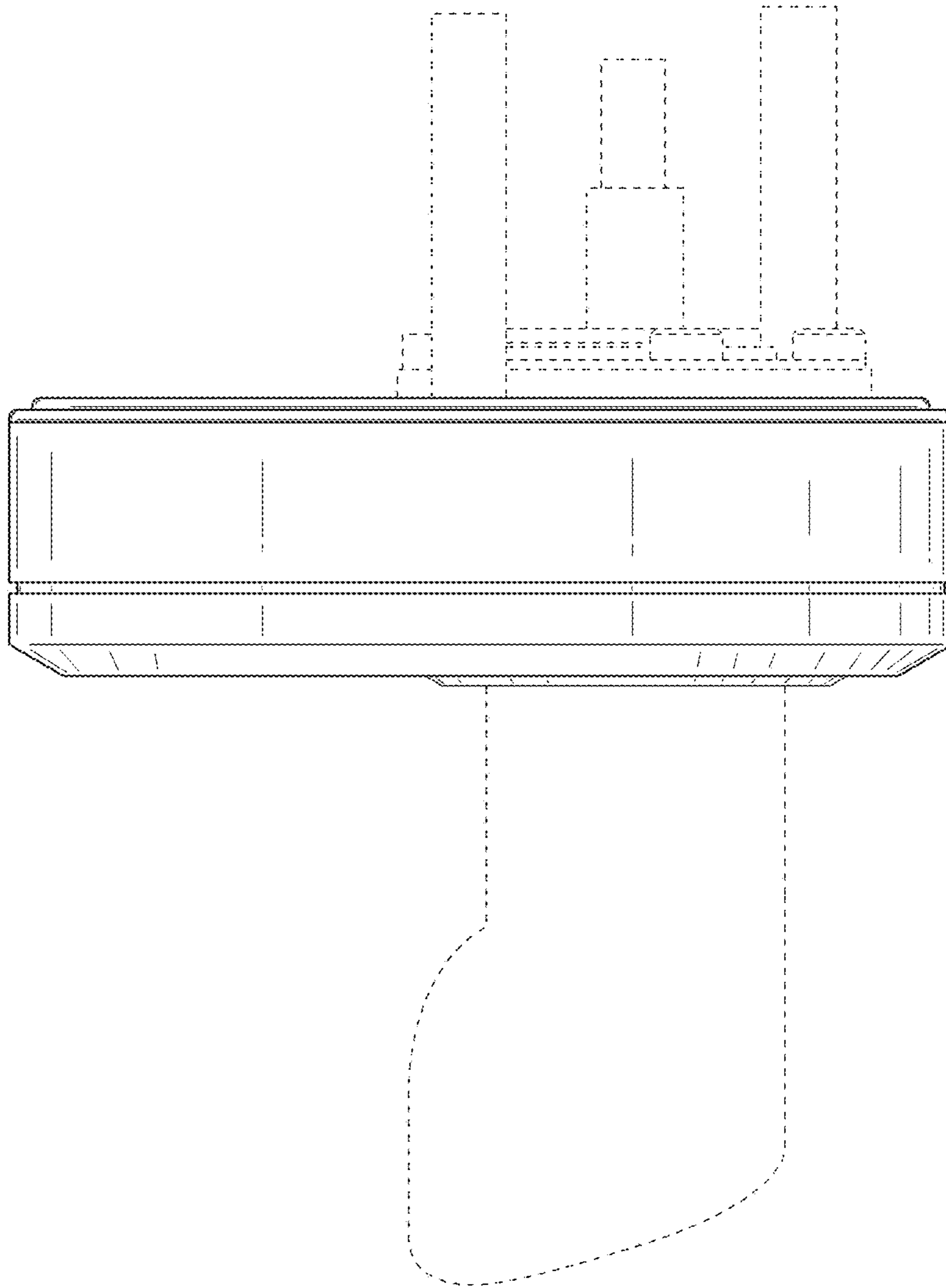


FIG. 3

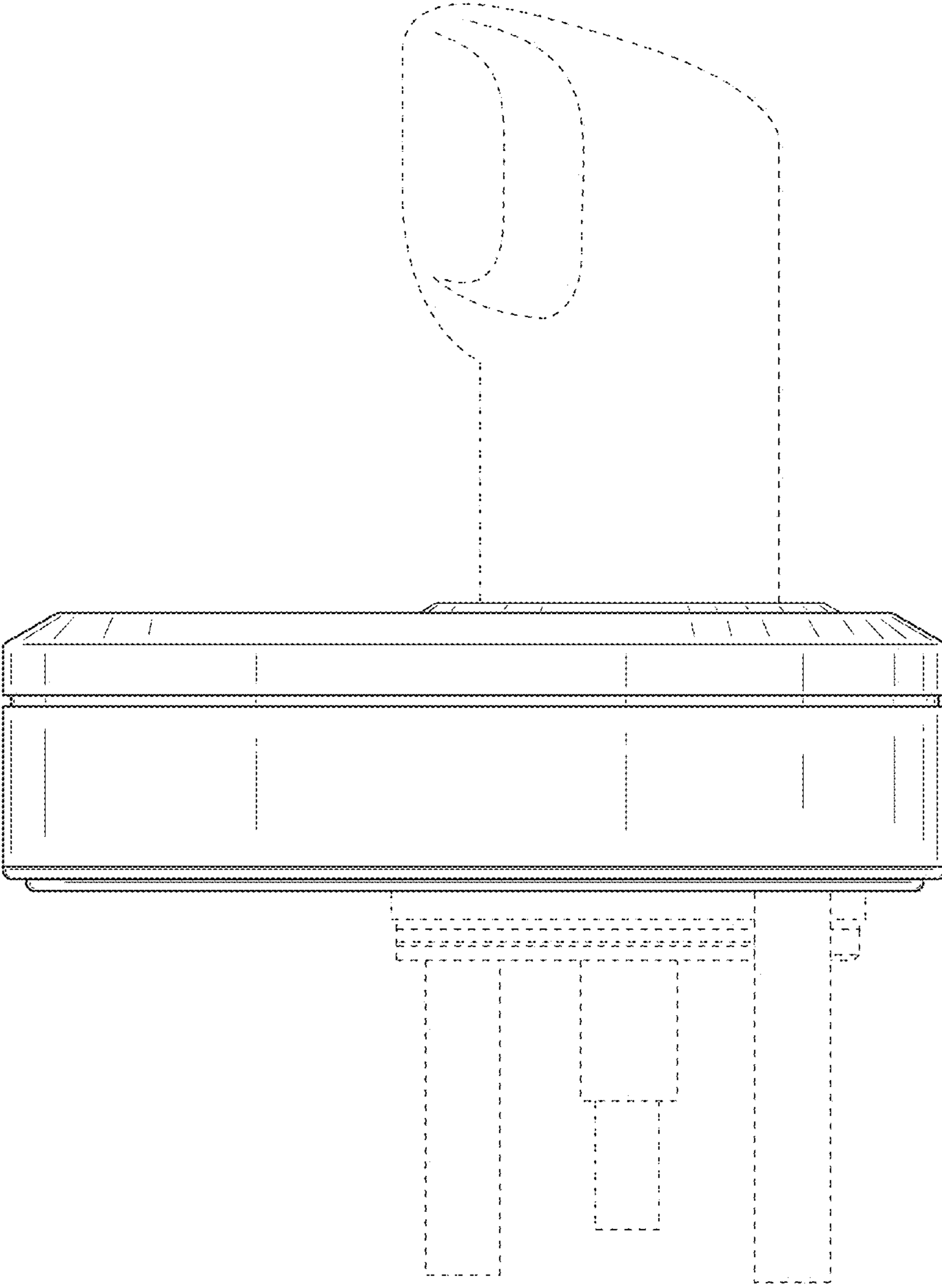


FIG. 4