



US00D908466S

(12) **United States Design Patent**  
**Hama**

(10) **Patent No.:** **US D908,466 S**

(45) **Date of Patent:** **\*\* Jan. 26, 2021**

(54) **FASTENER**

(71) Applicant: **TOMY COMPANY, LTD.**, Tokyo (JP)

(72) Inventor: **Hiroyuki Hama**, Tokyo (JP)

(73) Assignee: **TOMY COMPANY, LTD.**, Tokyo (JP)

(\*\*) Term: **15 Years**

(21) Appl. No.: **29/722,520**

(22) Filed: **Jan. 30, 2020**

(30) **Foreign Application Priority Data**

Aug. 29, 2019 (JP) ..... 2019-019259

(51) **LOC (13) Cl.** ..... **08-08**

(52) **U.S. Cl.**  
USPC ..... **D8/349**

(58) **Field of Classification Search**

USPC ..... D8/349, 354, 364, 382, 394, 395;  
D14/432-461

CPC .... G06F 1/1616; G06F 1/1626; G06F 1/1632;  
H01M 10/44; F16M 11/10; H02J 7/0042;  
H02J 7/00; H02J 7/0027; H02J 7/0044;  
H02J 7/0045; H02J 7/355; H01R 31/065

See application file for complete search history.

(56) **References Cited**

**U.S. PATENT DOCUMENTS**

D494,849 S \* 8/2004 Jones ..... D8/395  
D500,668 S \* 1/2005 Kelly ..... D8/354

D512,301 S \* 12/2005 Byers ..... D8/382  
D604,143 S \* 11/2009 Shnayder ..... D8/349  
D804,483 S \* 12/2017 Minoli ..... D14/434  
D804,487 S \* 12/2017 Theis ..... D14/447  
D816,473 S \* 5/2018 Blyahman ..... D8/395  
D879,782 S \* 3/2020 Bell ..... D14/433  
D891,904 S \* 8/2020 Naugler ..... D8/349  
D893,285 S \* 8/2020 Lagnese, Sr. .... D8/356  
D895,399 S \* 9/2020 Ferreira ..... D8/349

\* cited by examiner

*Primary Examiner* — Mark A Goodwin

*Assistant Examiner* — Benjamin M Weeks

(74) *Attorney, Agent, or Firm* — Oliff PLC

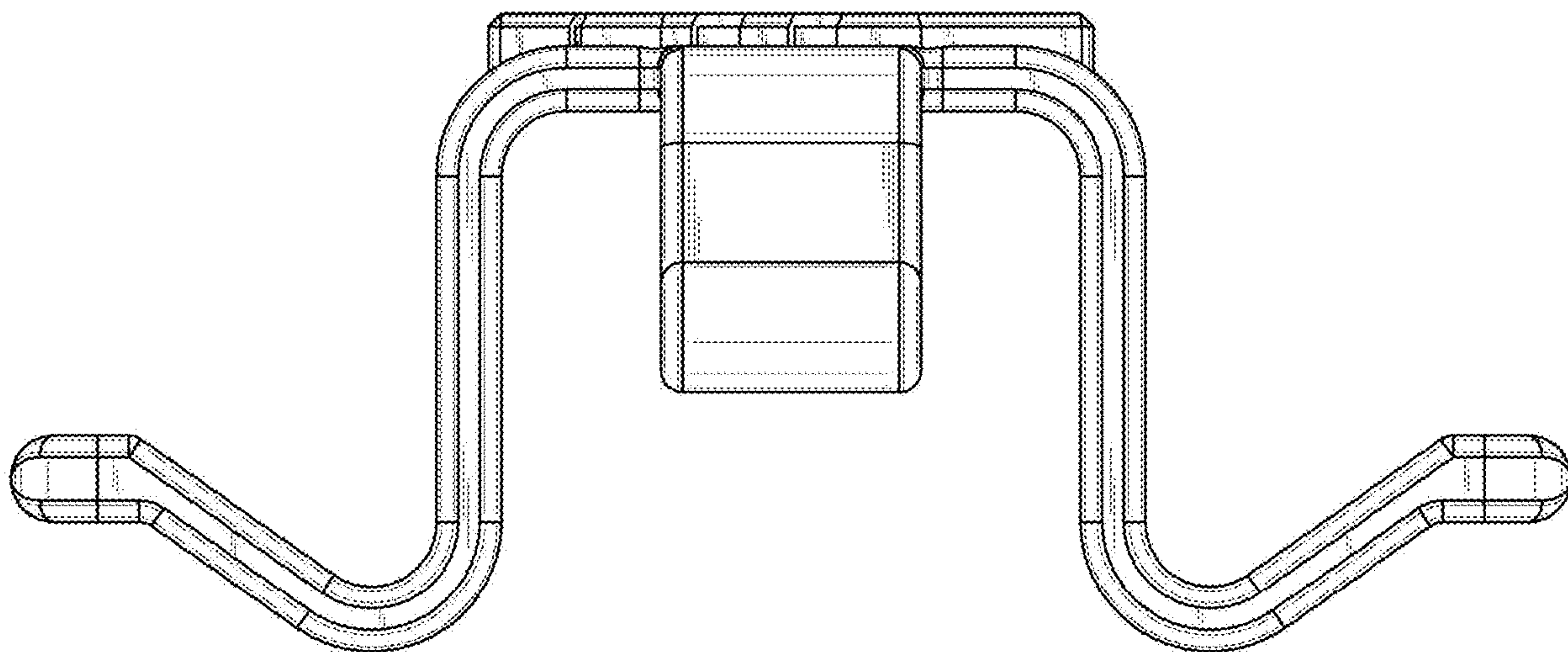
(57) **CLAIM**

The ornamental design for a fastener, as shown and described.

**DESCRIPTION**

FIG. 1 is a front elevational view of the fastener;  
FIG. 2 is a left-side elevational view thereof;  
FIG. 3 is a rear elevational view thereof;  
FIG. 4 is a right-side elevational view thereof;  
FIG. 5 is a top plan view thereof;  
FIG. 6 is a bottom plan view thereof;  
FIG. 7 is a front, right-side, top perspective view thereof;  
FIG. 8 is a rear, left-side, bottom perspective view thereof;  
and,  
FIG. 9 is a reference view showing the fastener in use.  
The broken lines in FIG. 9 depict environmental subject matter that form no part of the claimed design.

**1 Claim, 9 Drawing Sheets**



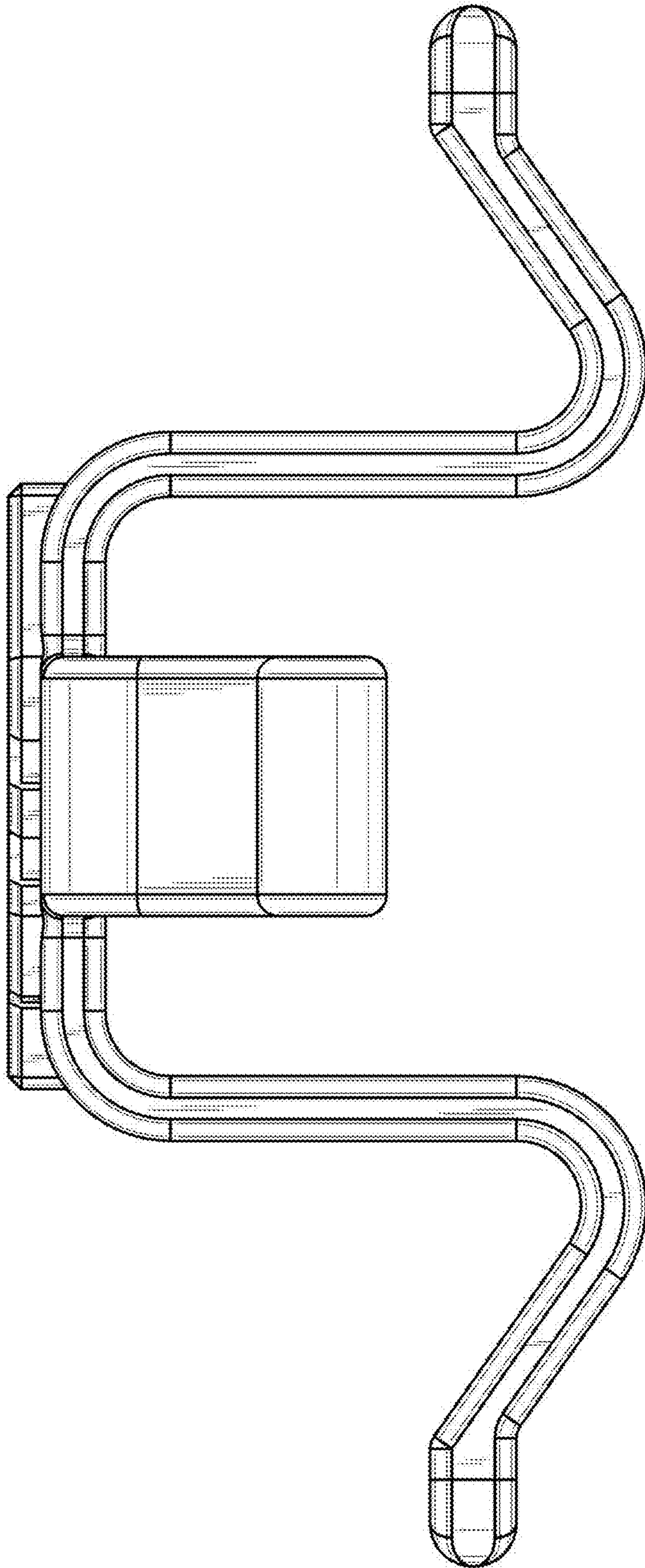


FIG. 1

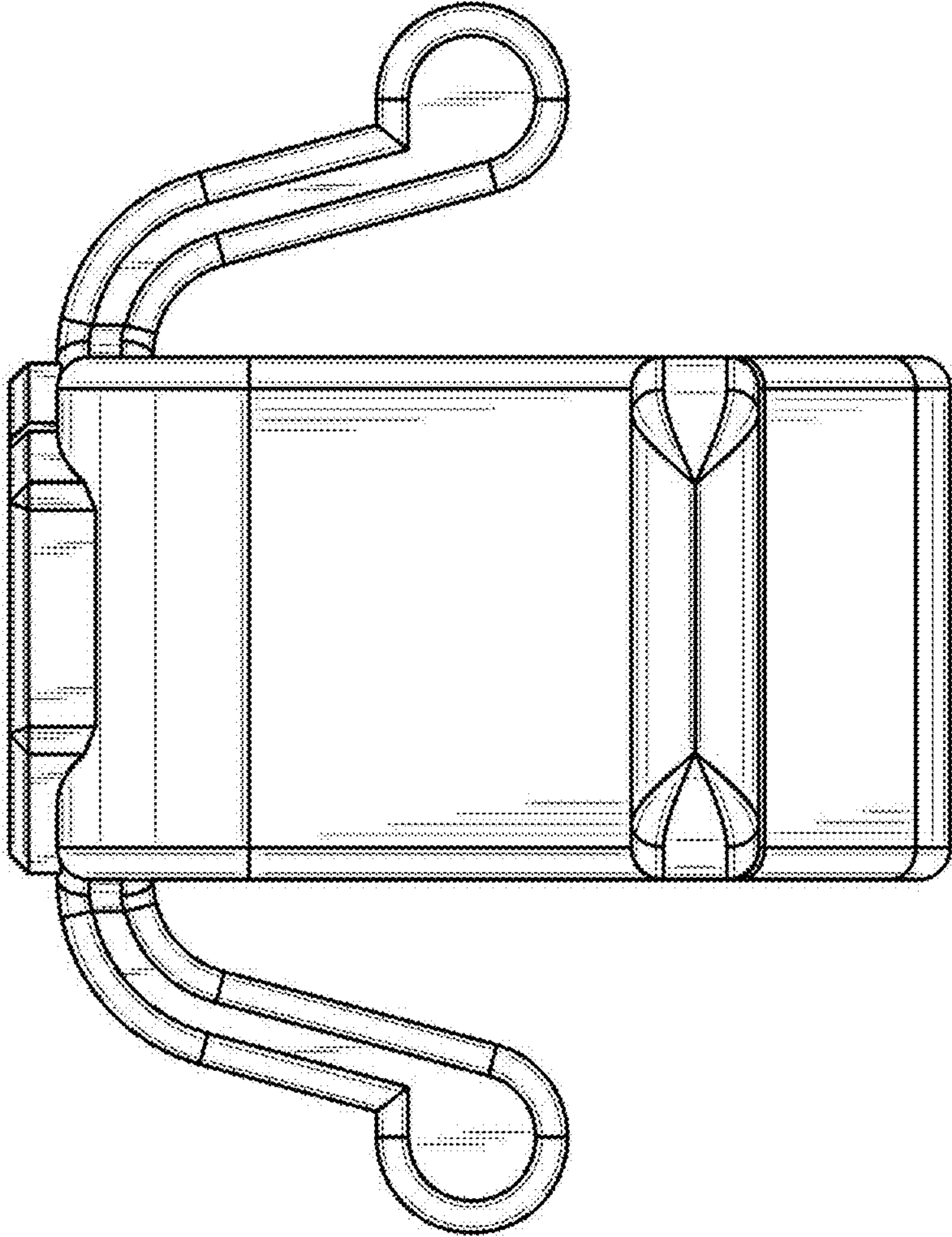


FIG. 2



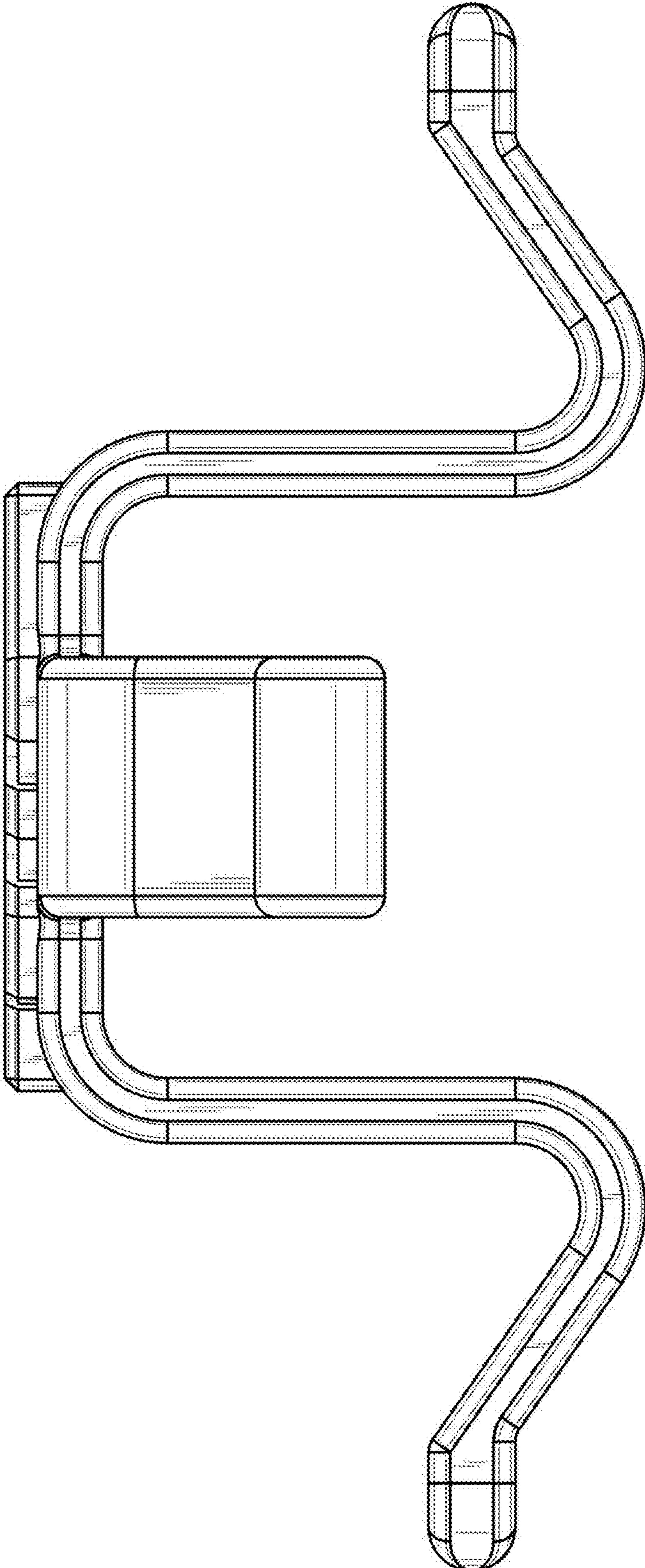


FIG. 3

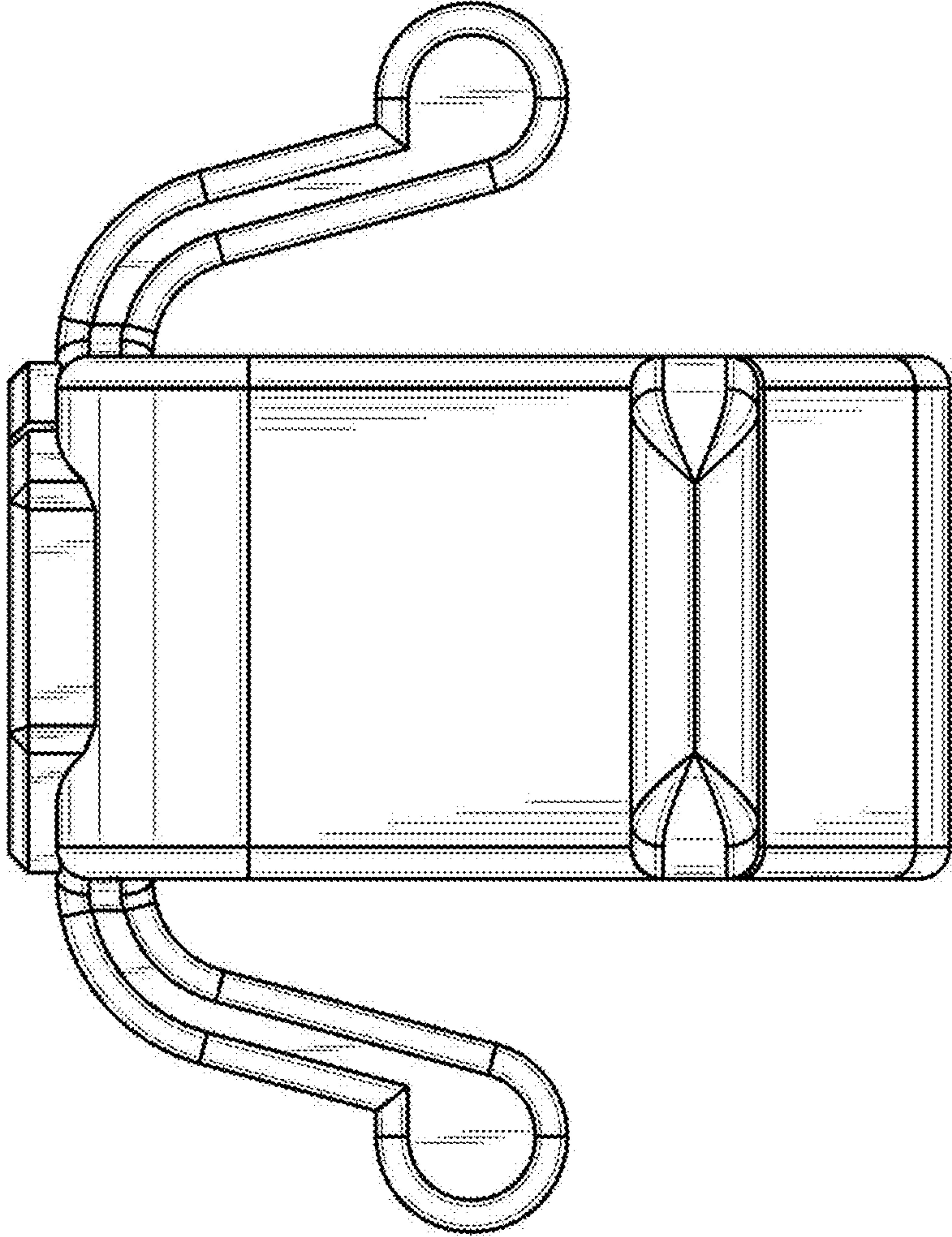


FIG. 4

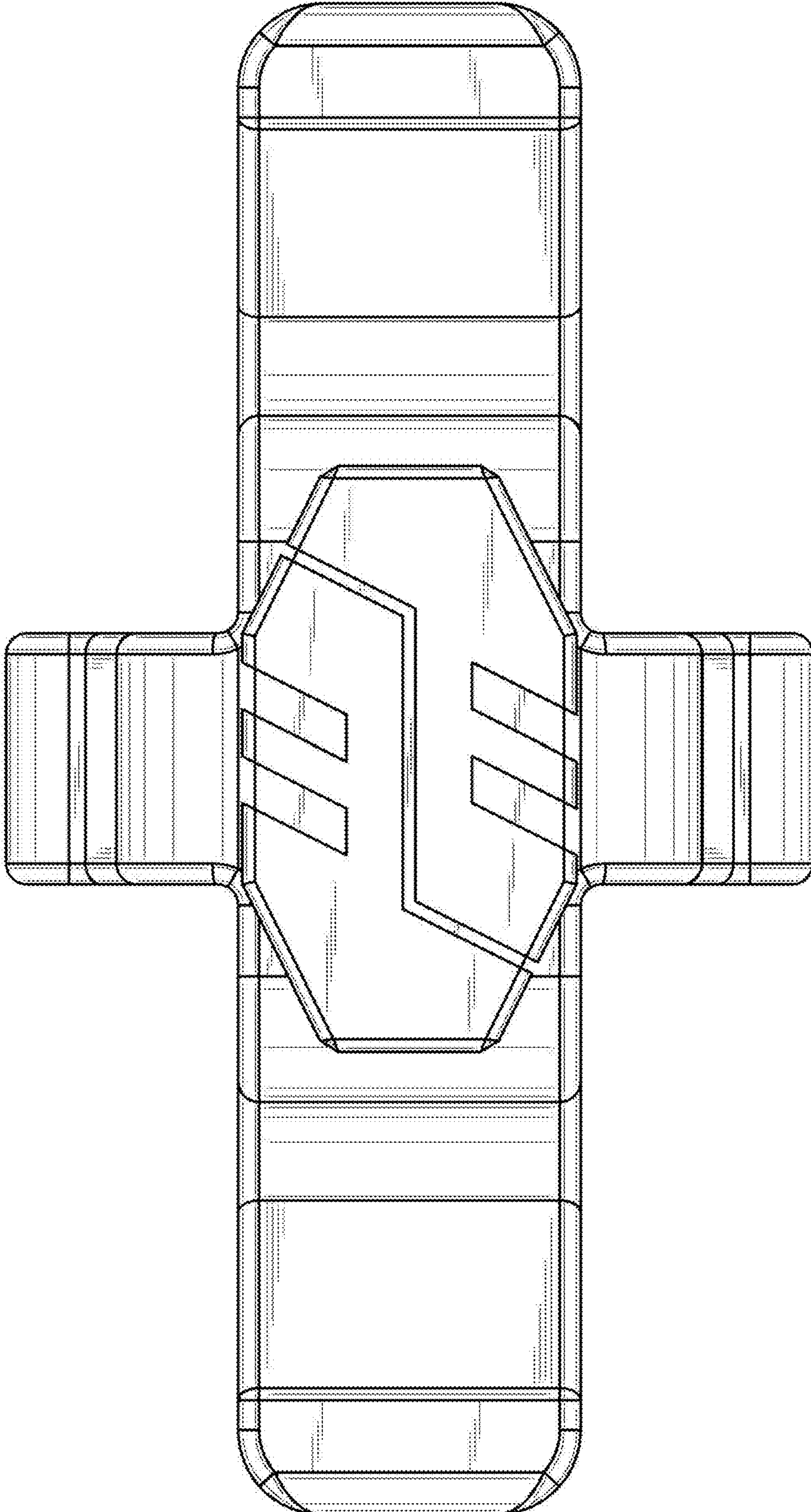


FIG. 5



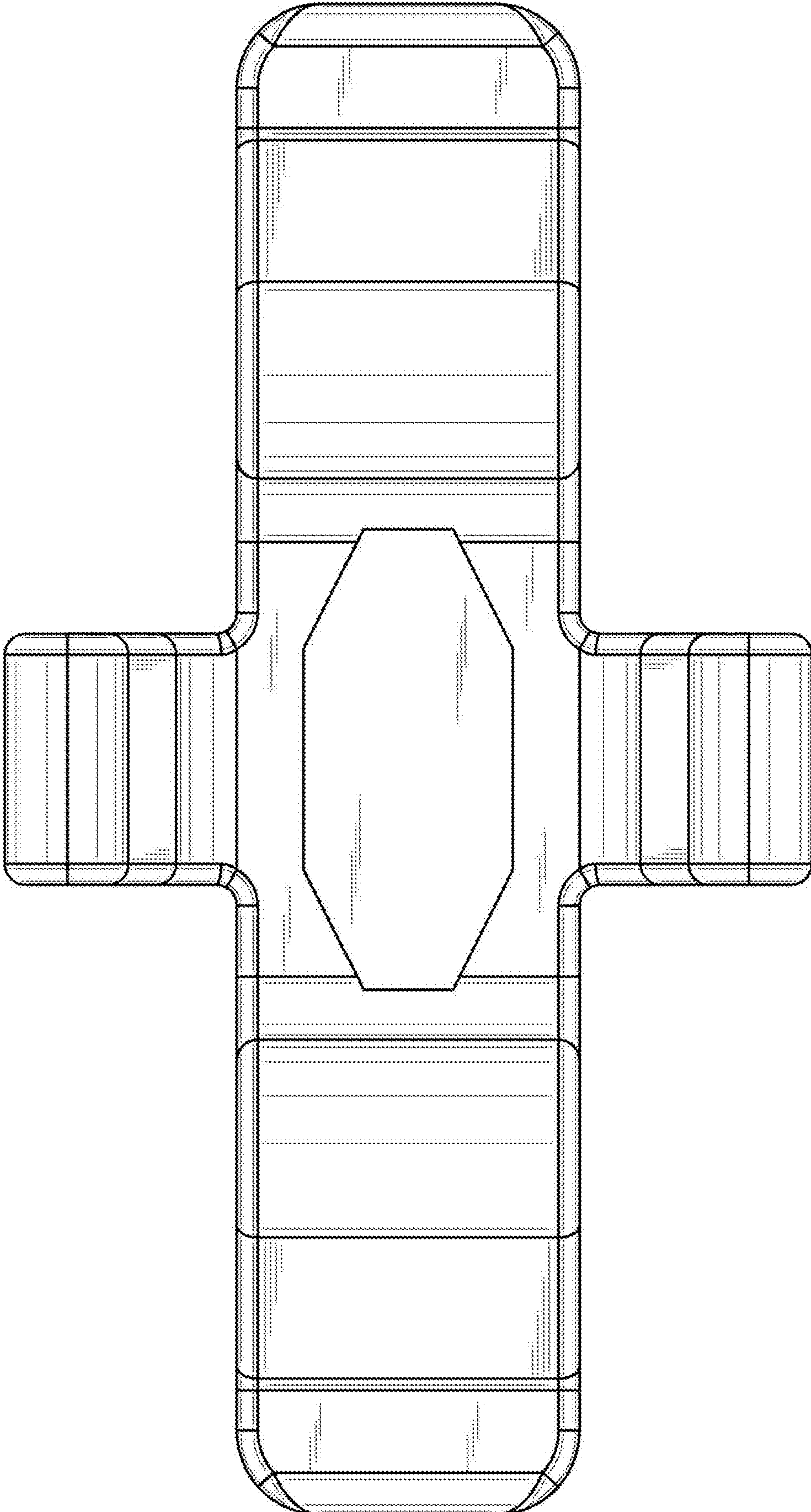


FIG. 6

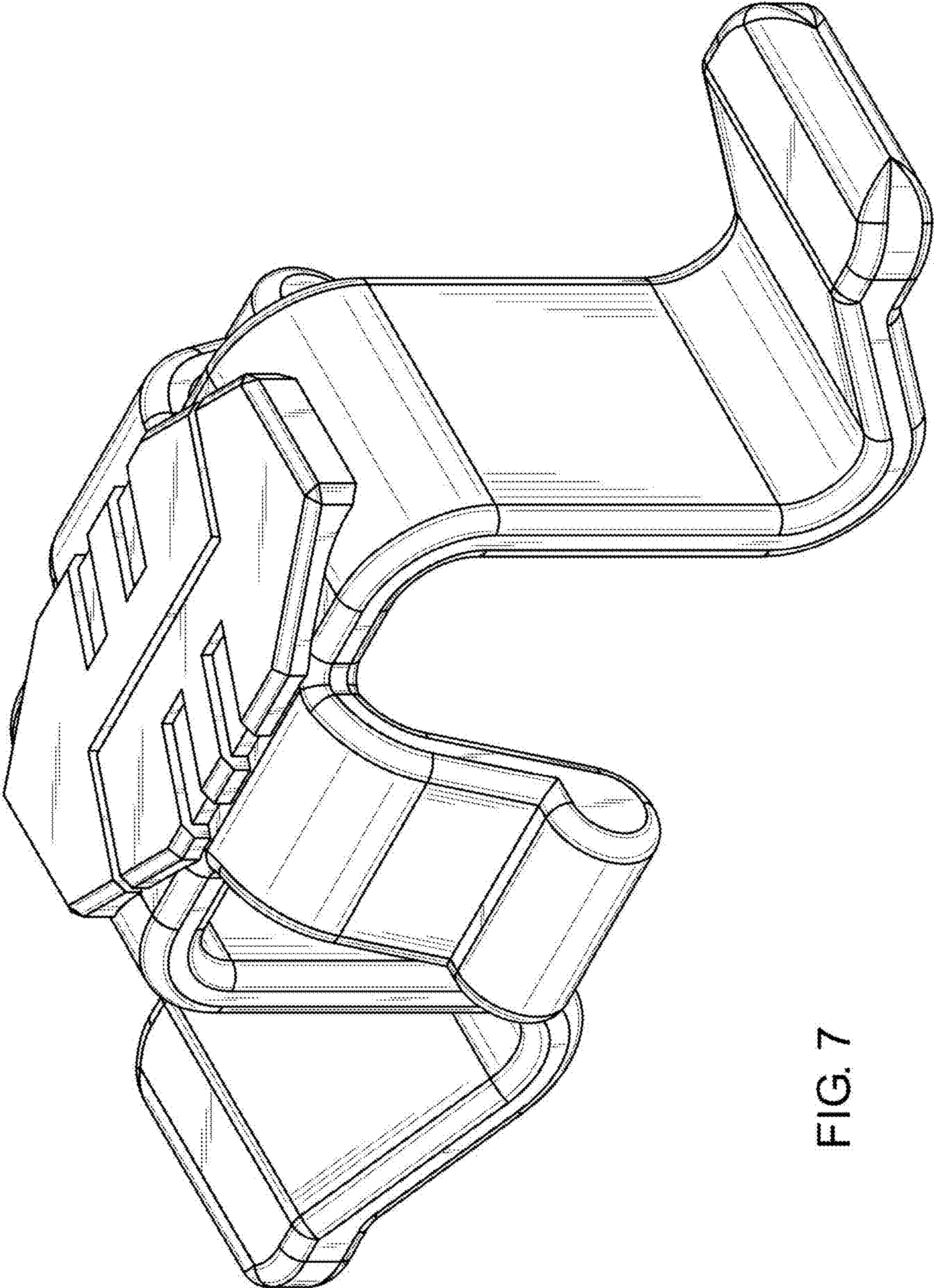


FIG. 7



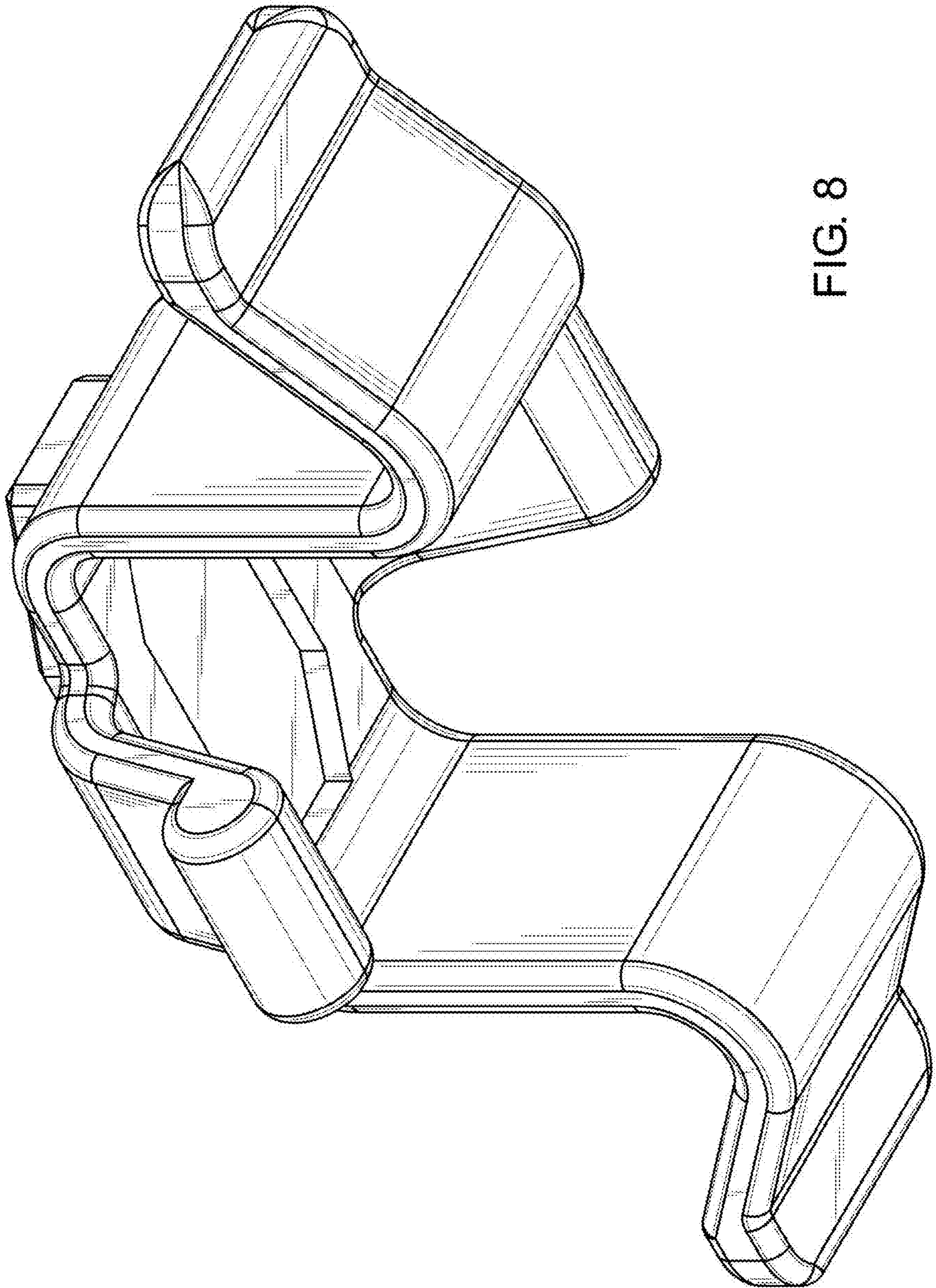


FIG. 8



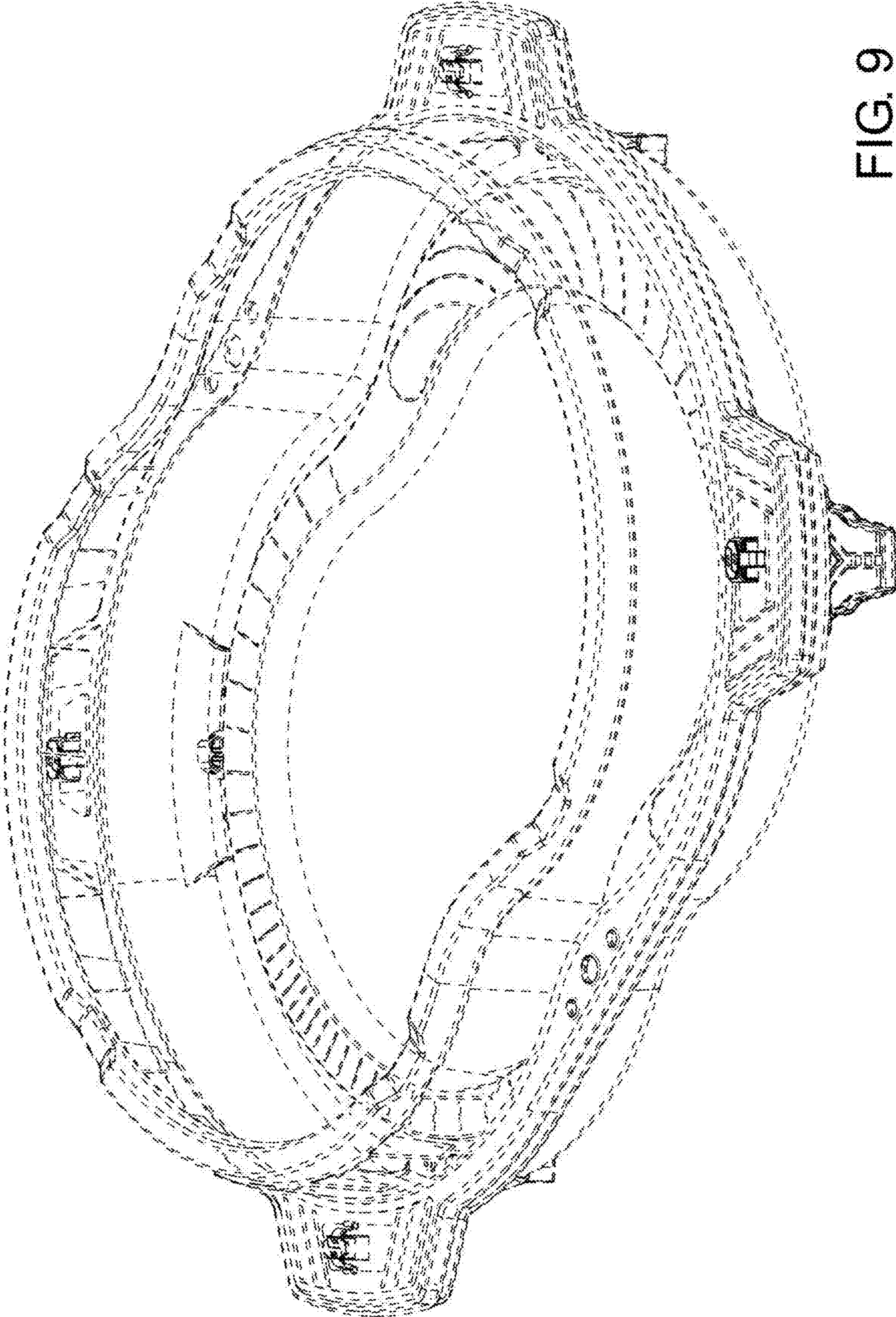


FIG. 9