



US00D908465S

(12) **United States Design Patent**
Chen

(10) **Patent No.:** **US D908,465 S**

(45) **Date of Patent:** **** Jan. 26, 2021**

(54) **SUNGLASSES HOLDER FOR CAR**

(71) Applicant: **Xiaowei Chen**, Dongguan (CN)

(72) Inventor: **Xiaowei Chen**, Dongguan (CN)

(**) Term: **15 Years**

(21) Appl. No.: **29/701,382**

(22) Filed: **Aug. 12, 2019**

(51) **LOC (13) Cl.** **08-08**

(52) **U.S. Cl.**
USPC **D8/349**

(58) **Field of Classification Search**

USPC D8/349, 350–353, 355, 363, 373–377
CPC A47G 1/20; A47G 7/047; A47G 25/0607;
A47G 29/00; H02G 3/083; H02G 3/085;
H02G 3/185; H02G 3/14; H02G 3/22

See application file for complete search history.

(56) **References Cited**

U.S. PATENT DOCUMENTS

D240,013 S *	5/1976	McKee	D8/354
D339,981 S *	10/1993	Barnes	D8/373
D379,119 S *	5/1997	Wolfe	D3/229
D557,120 S *	12/2007	Snell	D8/372
D608,190 S *	1/2010	Jimenez	D8/395
D620,779 S *	8/2010	Kunnath	D8/314
D625,580 S *	10/2010	Giordano	D8/349
D628,052 S *	11/2010	Carl	D8/367
D629,673 S *	12/2010	Shaha	D8/367
D638,284 S *	5/2011	Craft	D8/373
D647,784 S *	11/2011	McNamara	D8/349
D663,190 S *	7/2012	Mota	D8/349
D686,486 S *	7/2013	Densmore	D8/349

D735,554 S *	8/2015	Solberg	D8/349
D801,160 S *	10/2017	Westcott	D8/367
D863,938 S *	10/2019	Boyle	D8/356
D891,904 S *	8/2020	Naugler	D8/349

* cited by examiner

Primary Examiner — Mark A Goodwin

Assistant Examiner — Benjamin M Weeks

(74) *Attorney, Agent, or Firm* — KA Filing LLC

(57) **CLAIM**

I claim the ornamental design for a sunglasses holder for car, as shown and described.

DESCRIPTION

FIG. 1 is a Perspective view of a sunglasses holder for car showing my new design;

FIG. 2 is other perspective view of the sunglasses holder for car as shown in FIG. 1;

FIG. 3 is a Front view of the sunglasses holder for car as shown in FIG. 1;

FIG. 4 is a Back view of the sunglasses holder for car as shown in FIG. 1;

FIG. 5 is a Right-side view of the sunglasses holder for car as shown in FIG. 1;

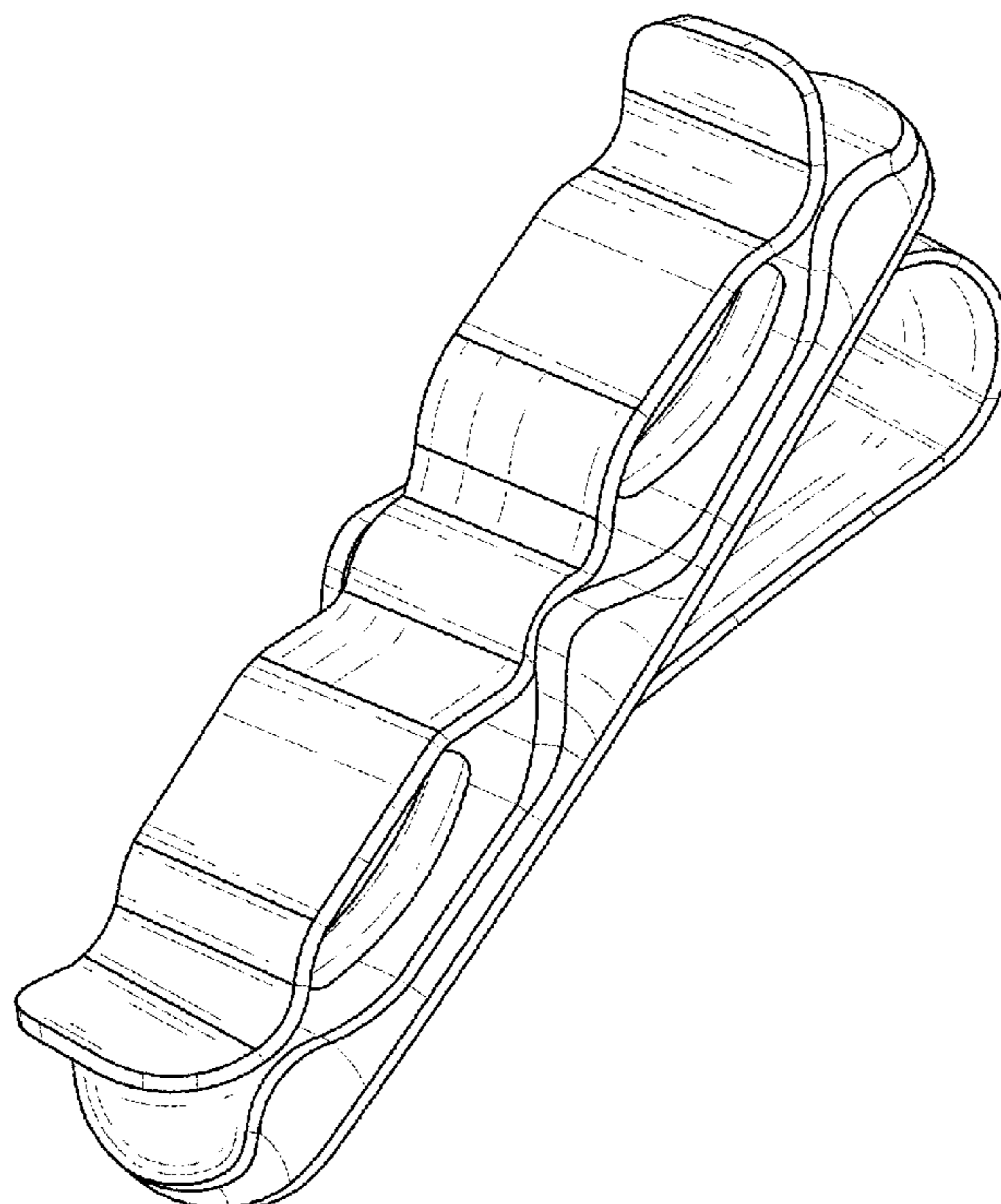
FIG. 6 is a Left-side view of the sunglasses holder for car as shown in FIG. 1;

FIG. 7 is a Top view of the sunglasses holder for car as shown in FIG. 1; and,

FIG. 8 is a Bottom view of the sunglasses holder for car as shown in FIG. 1.

The broken lines are only for environmental purposes and form no part of the claimed design.

1 Claim, 7 Drawing Sheets



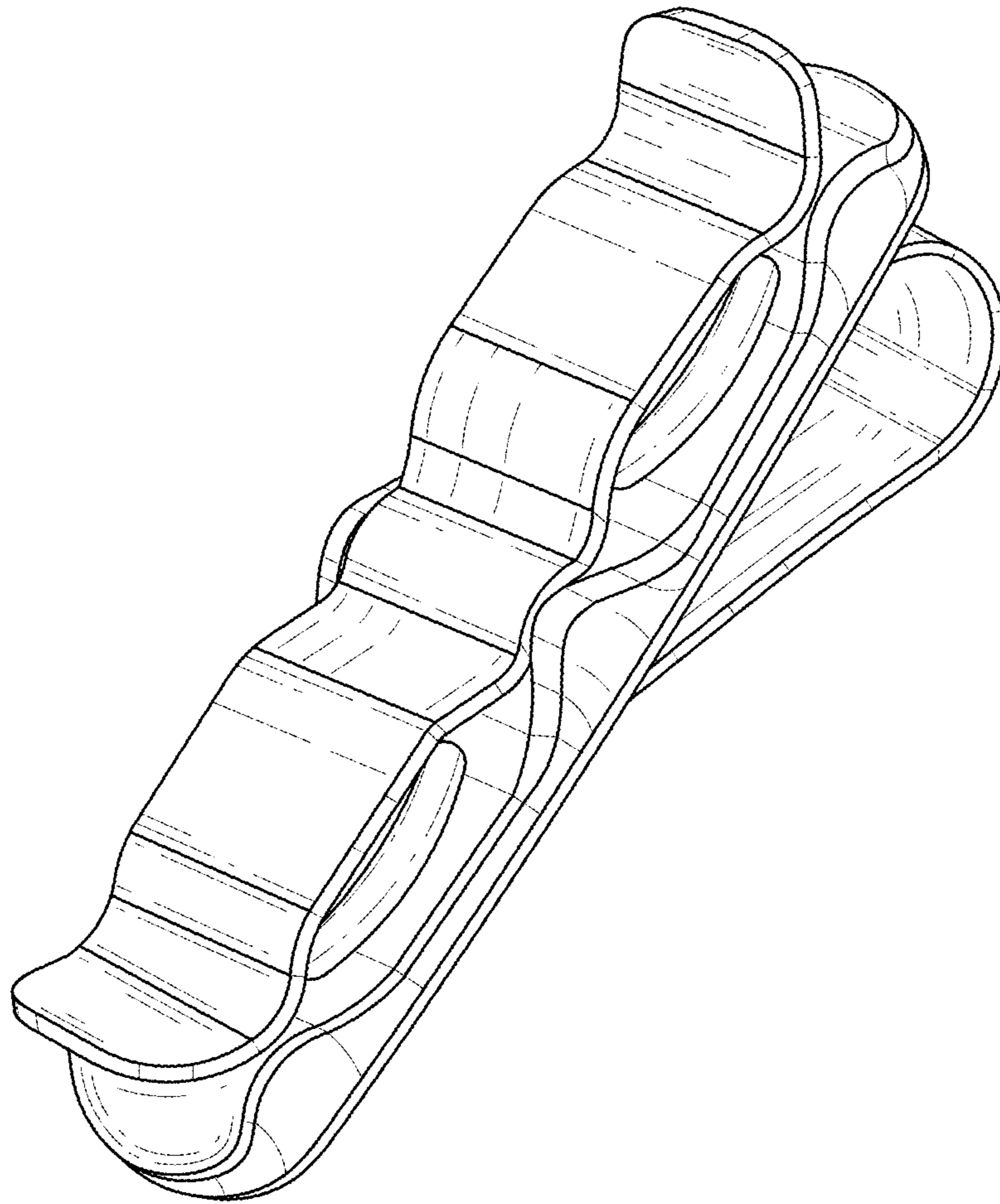


FIG. 1

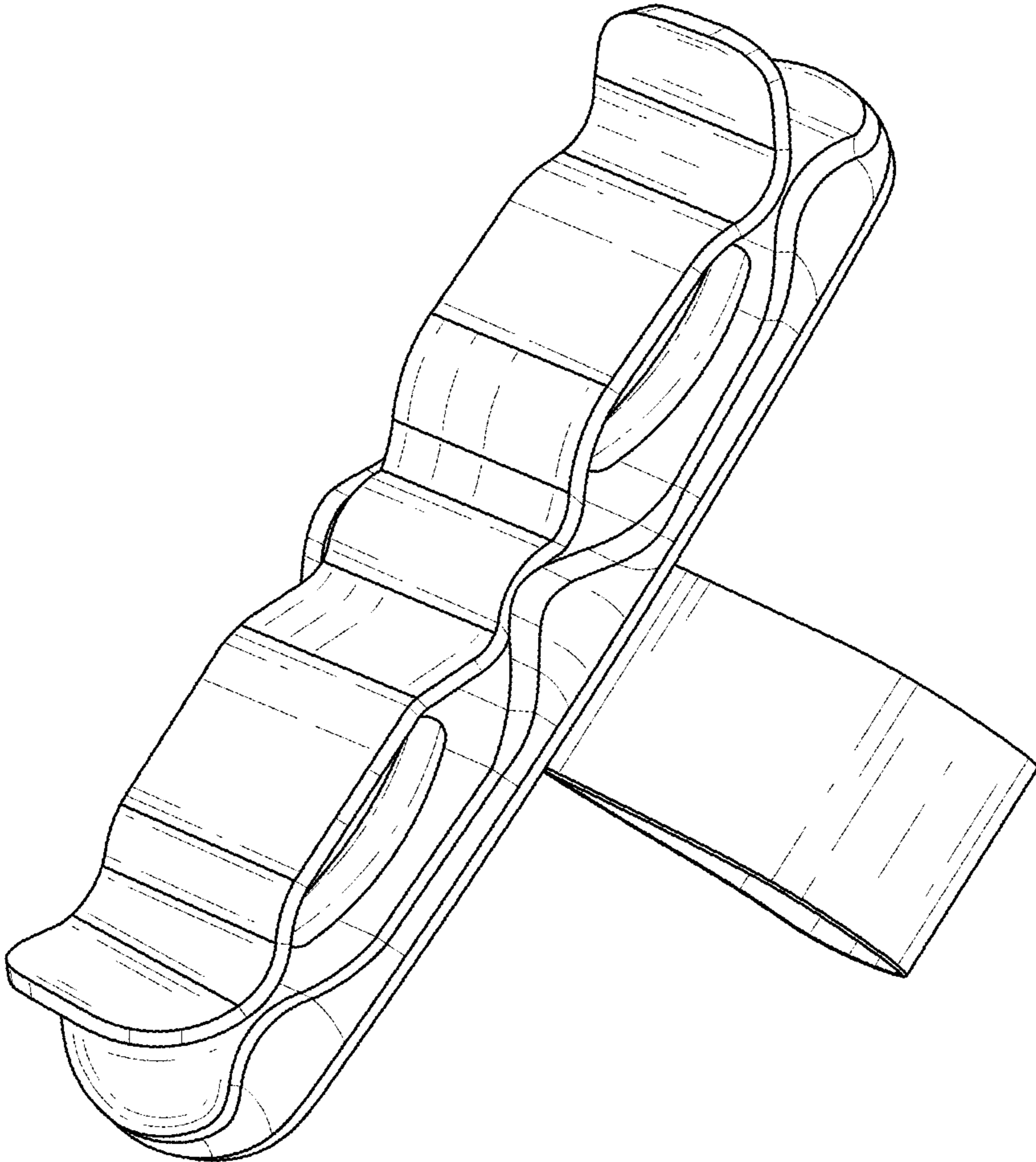


FIG. 2

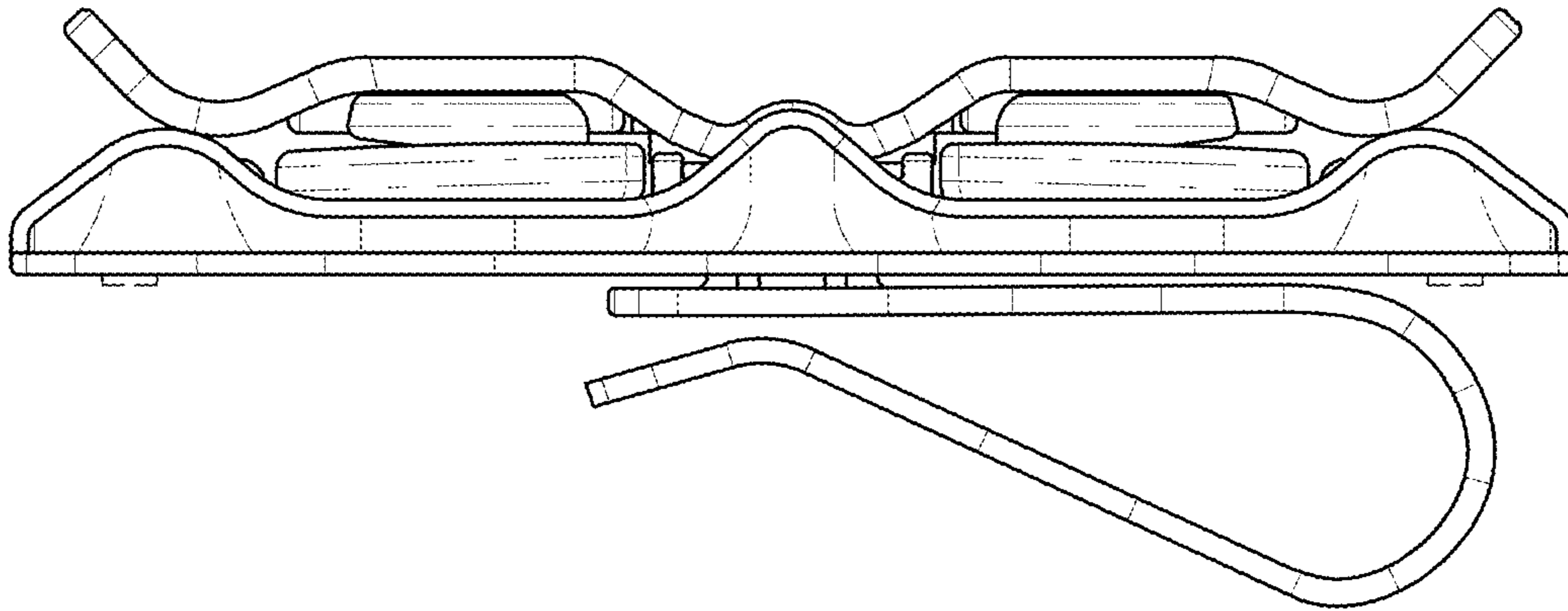


FIG. 3

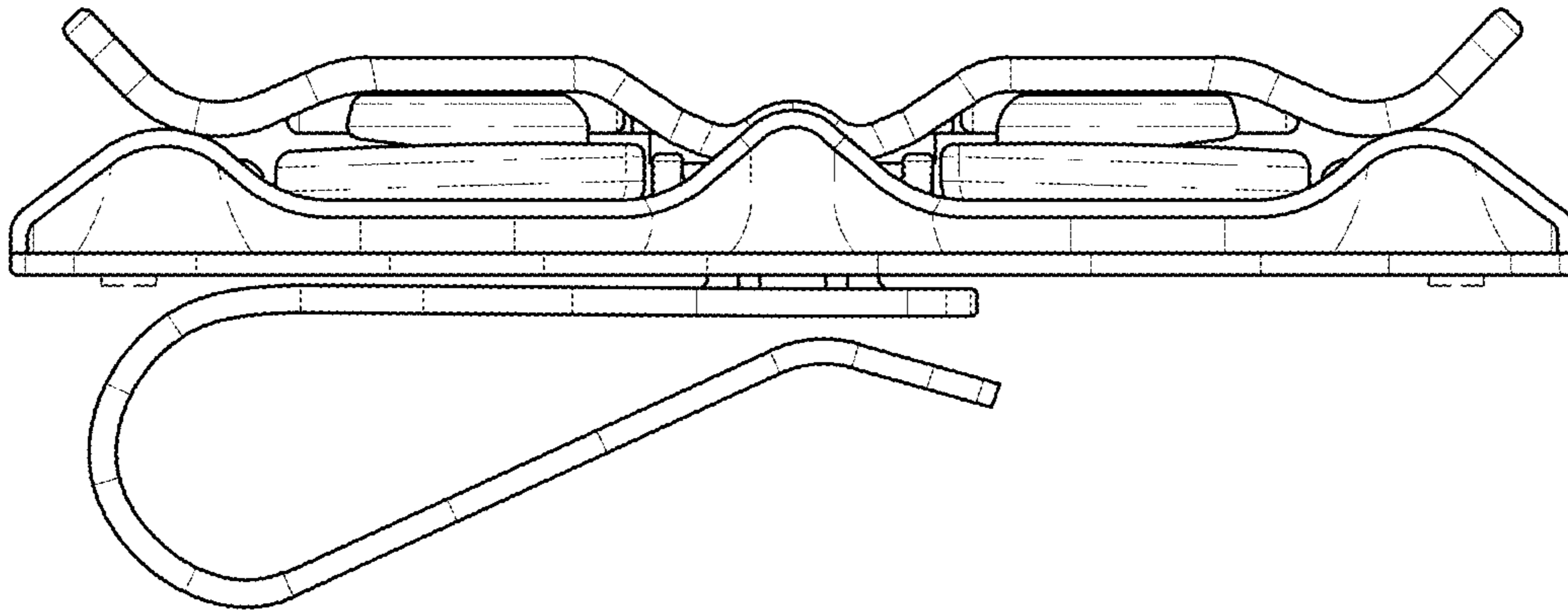


FIG. 4

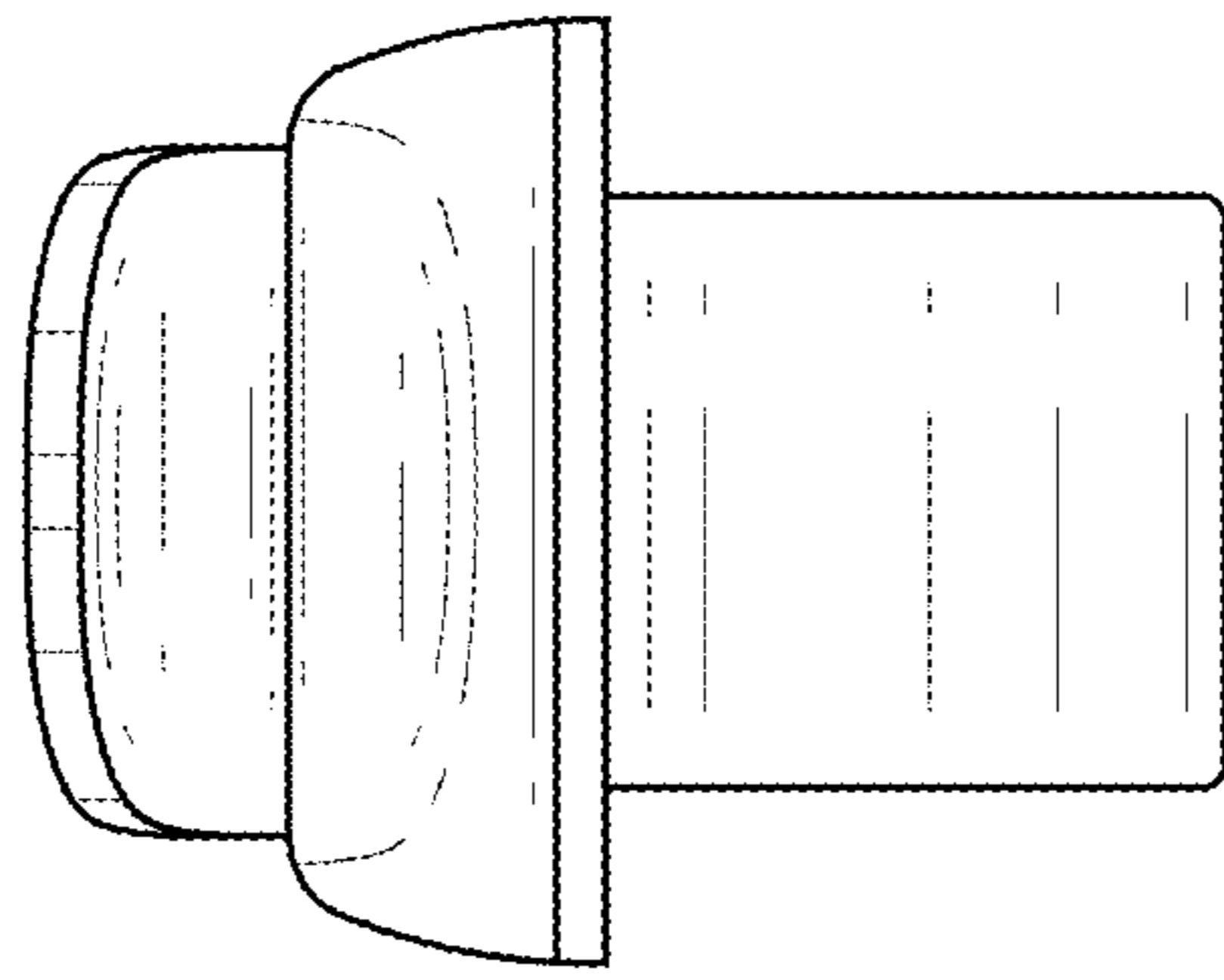


FIG. 5

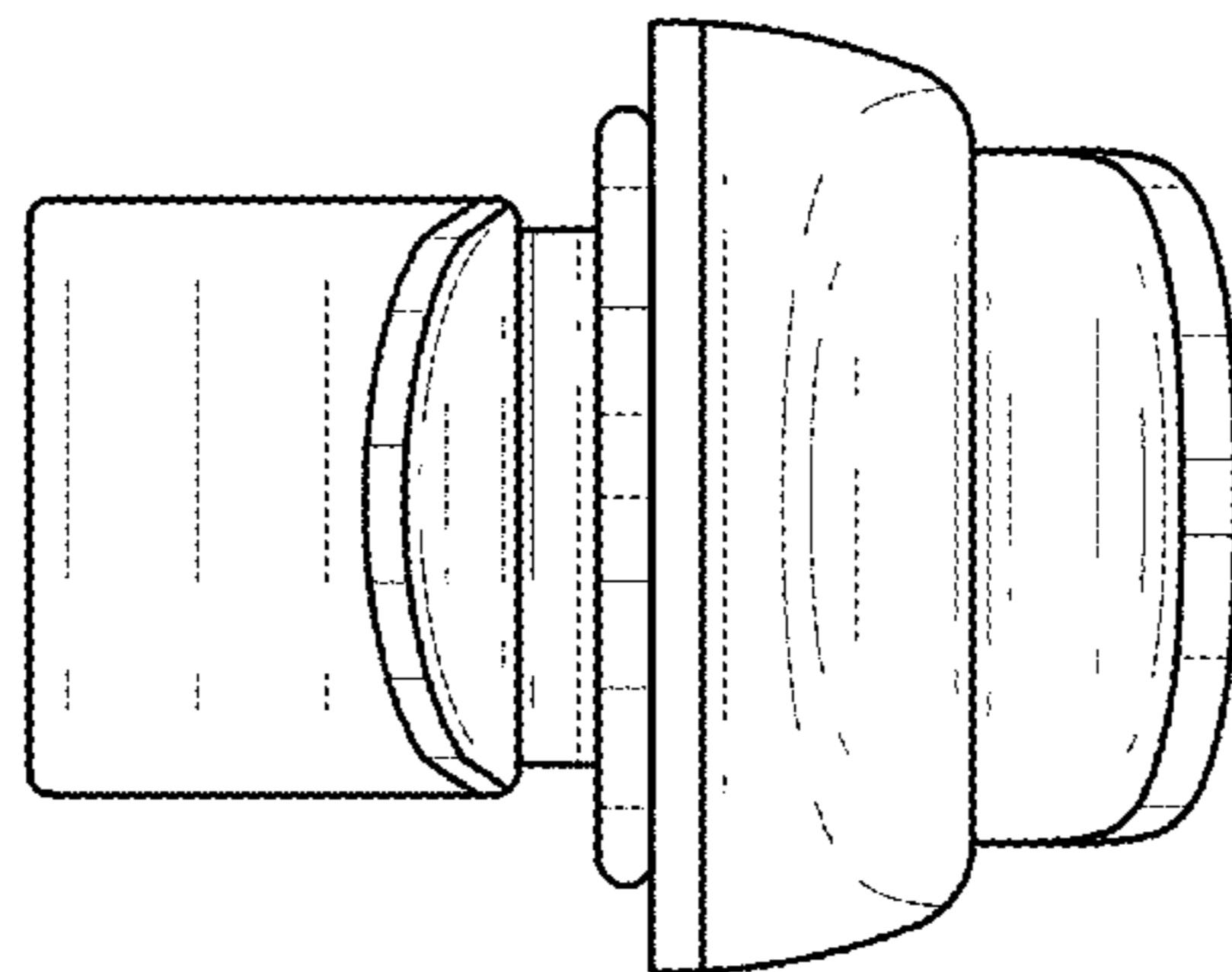


FIG. 6

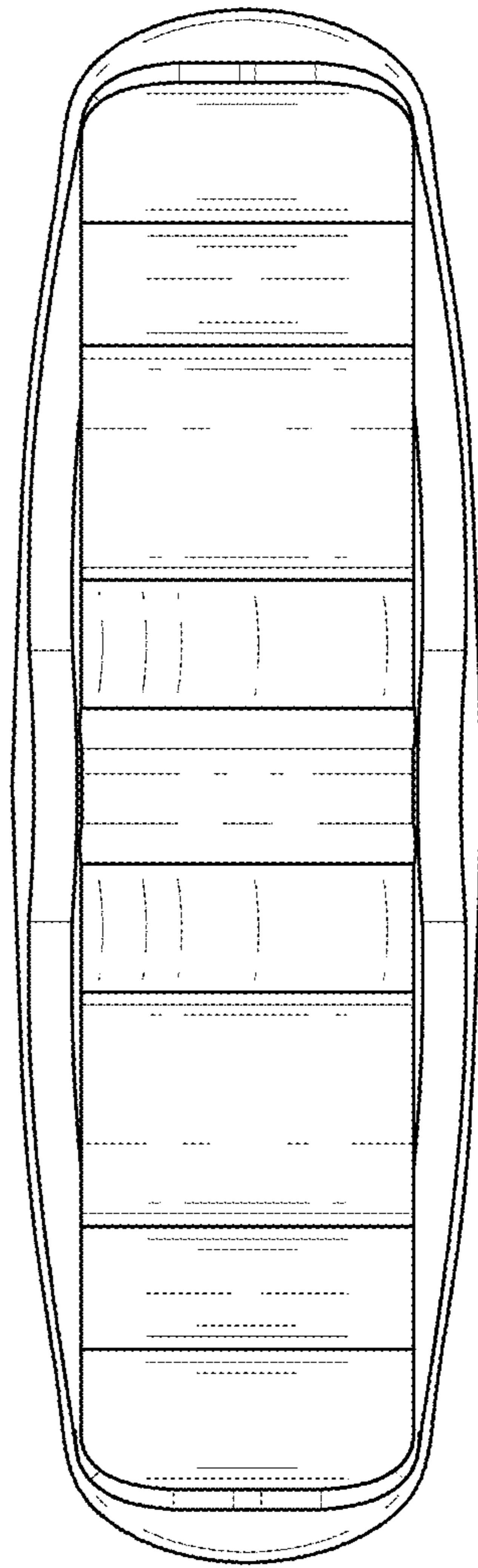


FIG. 7

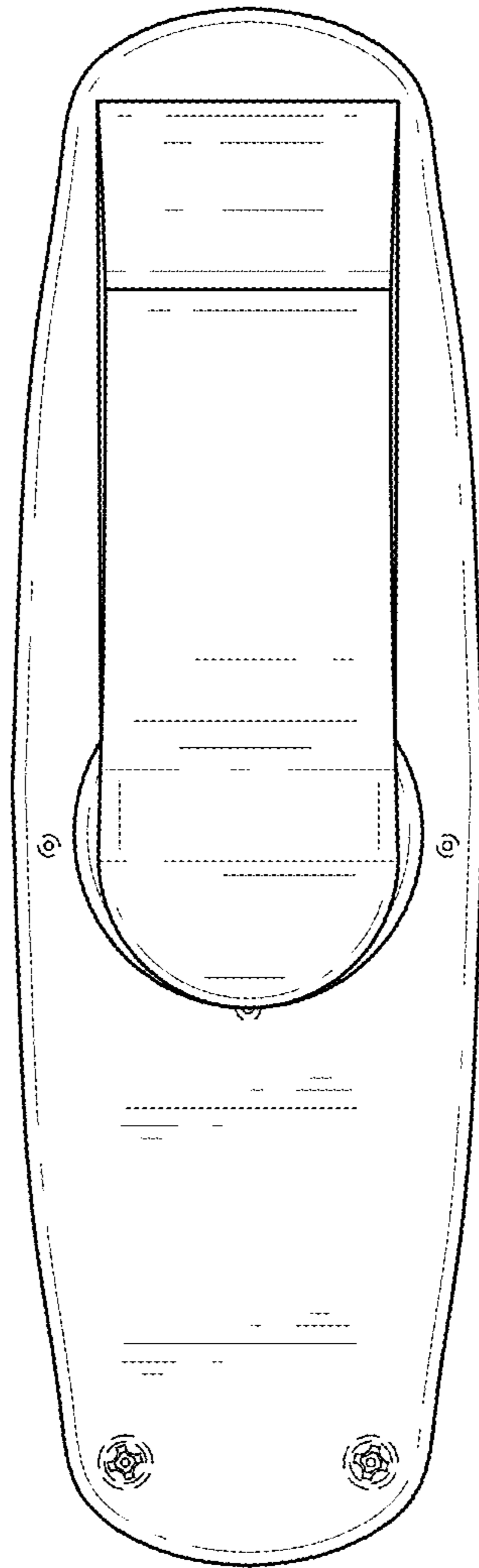


FIG. 8