



US00D908464S

(12) **United States Design Patent**  
**Ramsay**

(10) **Patent No.:** **US D908,464 S**

(45) **Date of Patent:** **\*\* Jan. 26, 2021**

(54) **KEY**  
(71) Applicant: **Integrated Lock Systems Australia Pty Ltd, West End (AU)**  
(72) Inventor: **George Ramsay, West End (AU)**  
(73) Assignee: **Integrated Lock Systems Australia Pty Ltd, West End (AU)**  
(\*\*) Term: **15 Years**

9,771,739 B1 \* 9/2017 Wells ..... E05B 19/04  
10,240,364 B2 \* 3/2019 Wehr ..... E05B 19/0041  
10,316,547 B2 \* 6/2019 Ulrich ..... E05B 19/0023

**FOREIGN PATENT DOCUMENTS**

DE 3145063 A1 5/1983  
DK 410786 A 3/1987  
JP 2005213807 A 8/2005  
WO 2016179631 A1 11/2016  
WO 2018218301 A1 12/2018

\* cited by examiner

*Primary Examiner* — Doris Clark

(74) *Attorney, Agent, or Firm* — David A. Guerra

(21) Appl. No.: **29/701,796**  
(22) Filed: **Aug. 14, 2019**  
(51) **LOC (13) Cl.** ..... **08-07**  
(52) **U.S. Cl.**  
USPC ..... **D8/347**  
(58) **Field of Classification Search**  
USPC ..... D8/347  
CPC ..... E05B 19/0017; E05B 19/0041; E05B  
19/007; E05B 19/04; E05B 19/0052;  
E05B 19/26; E05B 19/24  
See application file for complete search history.

(57) **CLAIM**

The ornamental design for a key, as shown and described.

**DESCRIPTION**

FIG. 1 is a front left perspective view of a key constructed in accordance with the new design, including a round shaped key head and blade;

FIG. 2 is a front elevational view thereof

FIG. 3 is a rear elevational view thereof

FIG. 4 is a top plane view thereof;

FIG. 5 is a bottom plane view thereof;

FIG. 6 is a right side elevational view thereof;

FIG. 7 is a left side elevational view thereof; and,

FIG. 8 is an enlarged cross-sectional view taken along line 8-8 of FIG. 3.

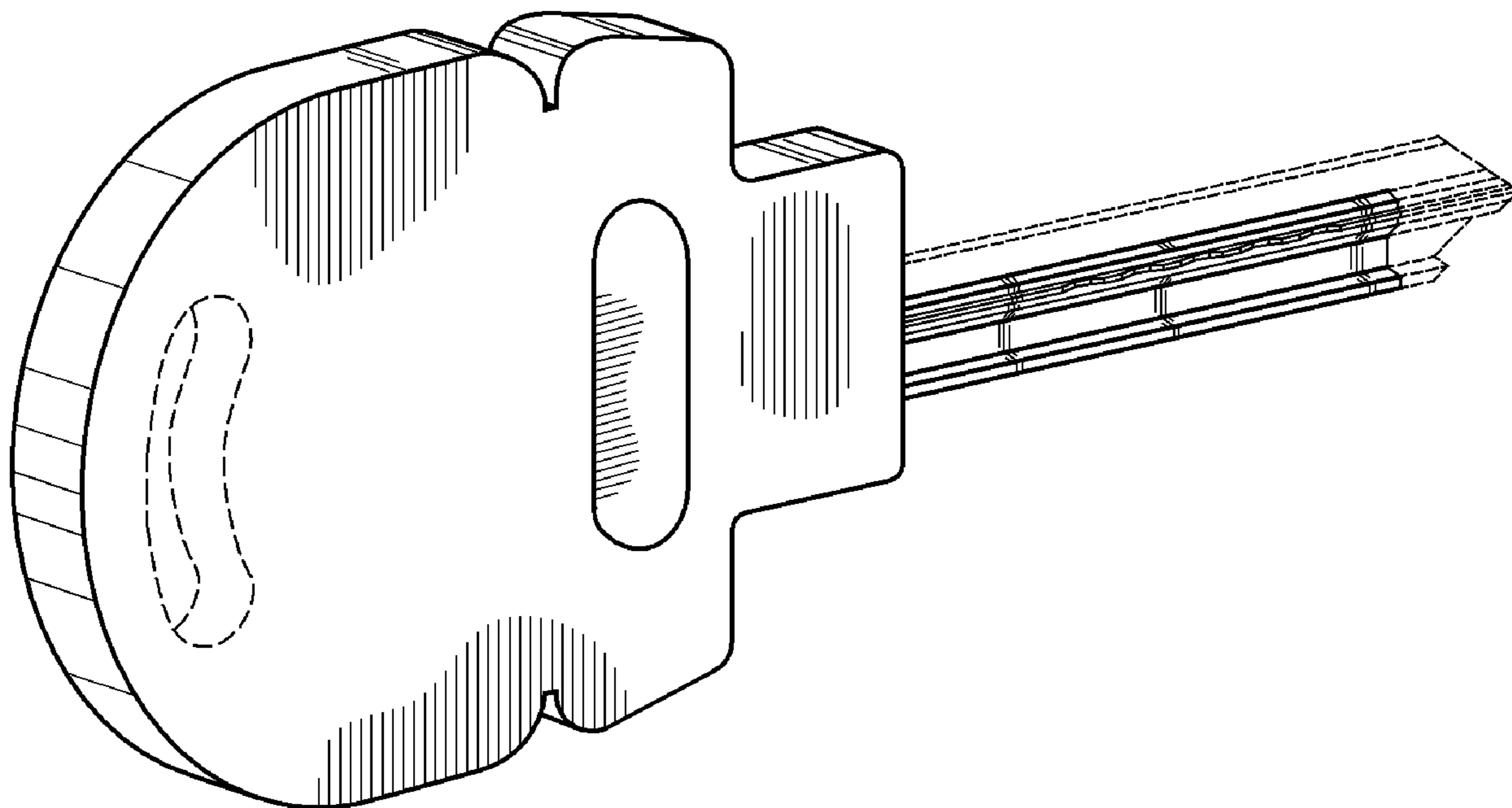
The broken lines on the drawing views are for illustrative purposes only and form no part of the claimed design.

**1 Claim, 4 Drawing Sheets**

(56) **References Cited**

**U.S. PATENT DOCUMENTS**

D332,388 S \* 1/1993 Marotto ..... D8/347  
6,481,255 B2 11/2002 Theriault  
D491,788 S \* 6/2004 Kim ..... D8/347  
D516,897 S \* 3/2006 Kim ..... D8/347  
D654,346 S \* 2/2012 Taylor ..... D8/347  
8,402,800 B1 \* 3/2013 Hester ..... E05B 19/04  
70/408  
8,695,388 B2 \* 4/2014 Miwa ..... E05B 19/0082  
70/408  
9,739,075 B2 \* 8/2017 Baki ..... B22D 21/025



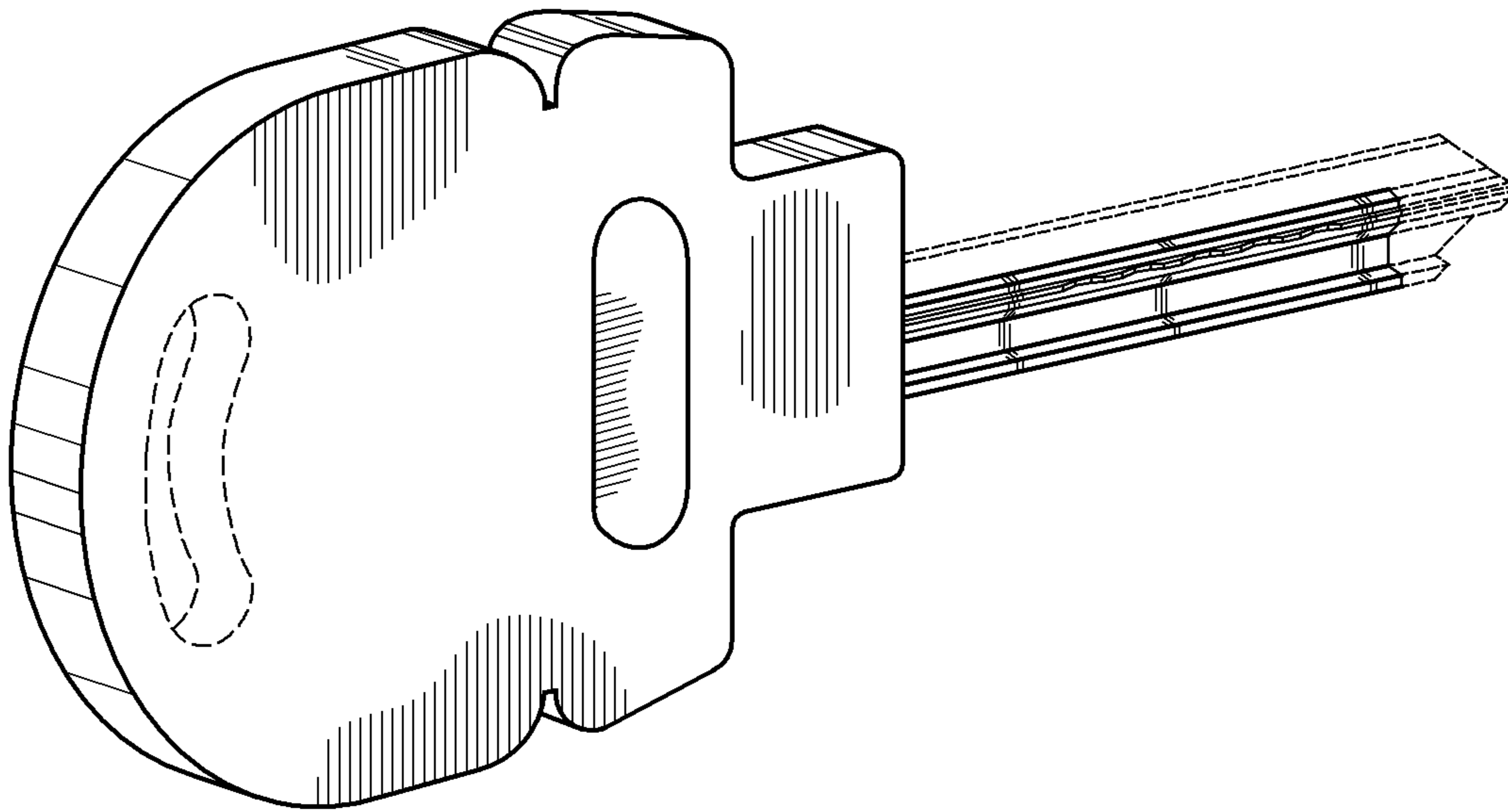


FIG. 1

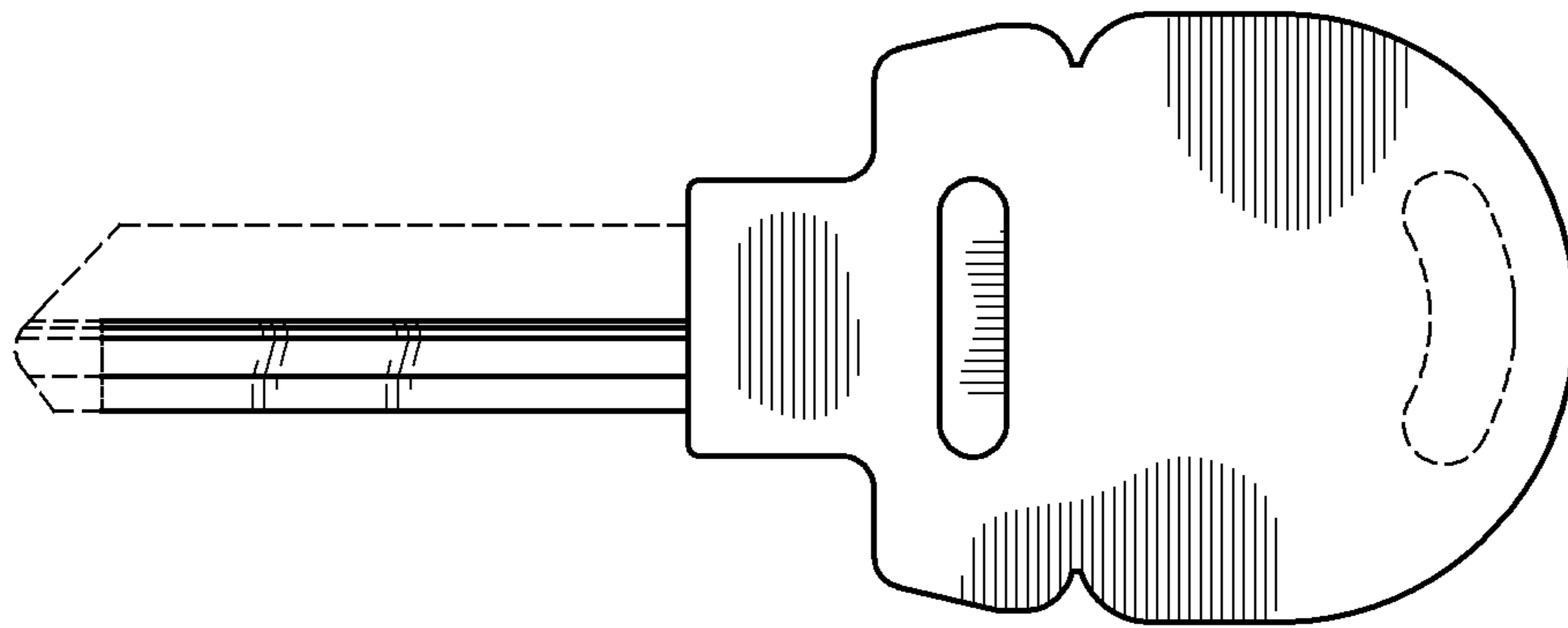


FIG. 2

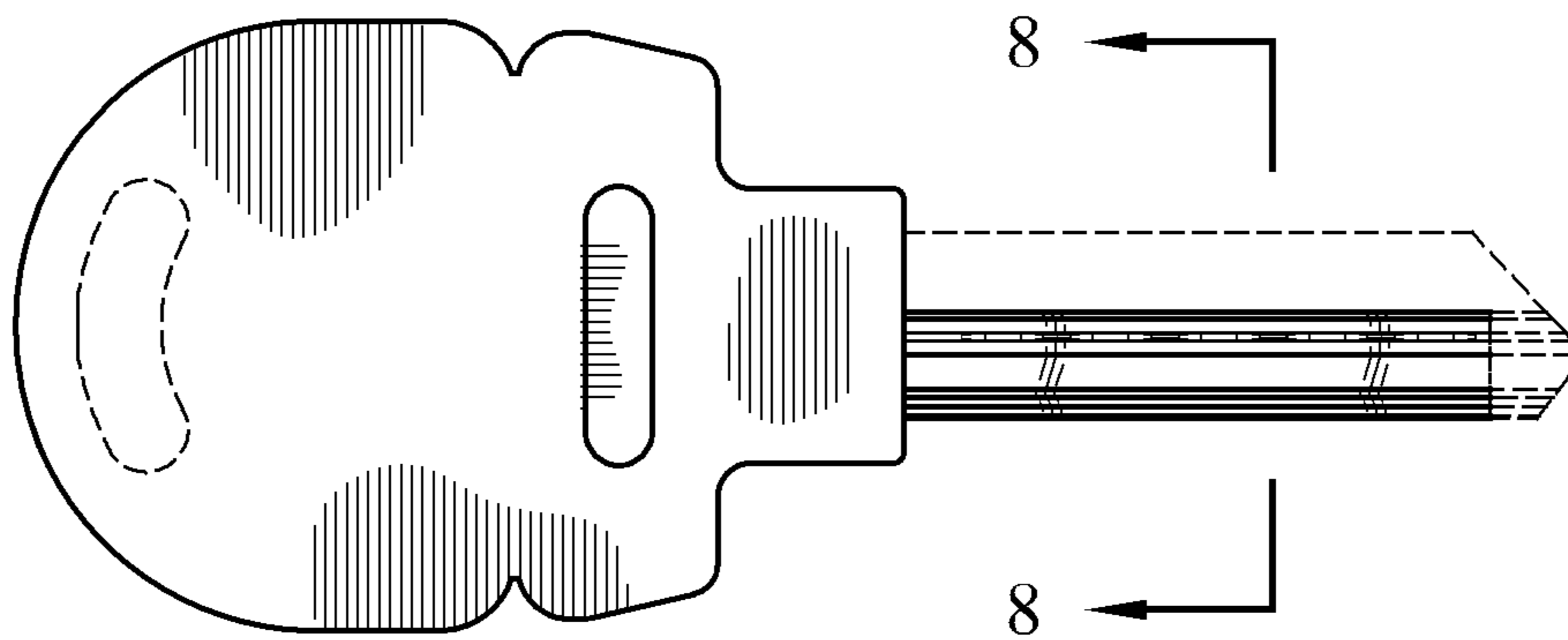


FIG. 3



FIG. 4



FIG. 5



FIG. 6

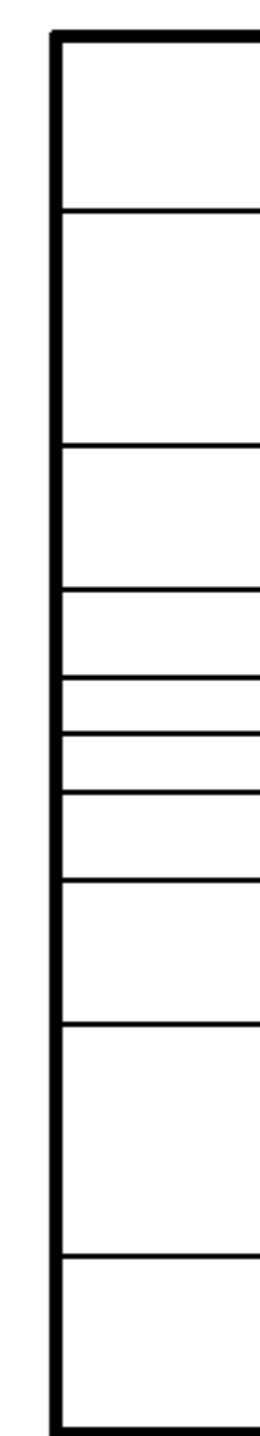


FIG. 7

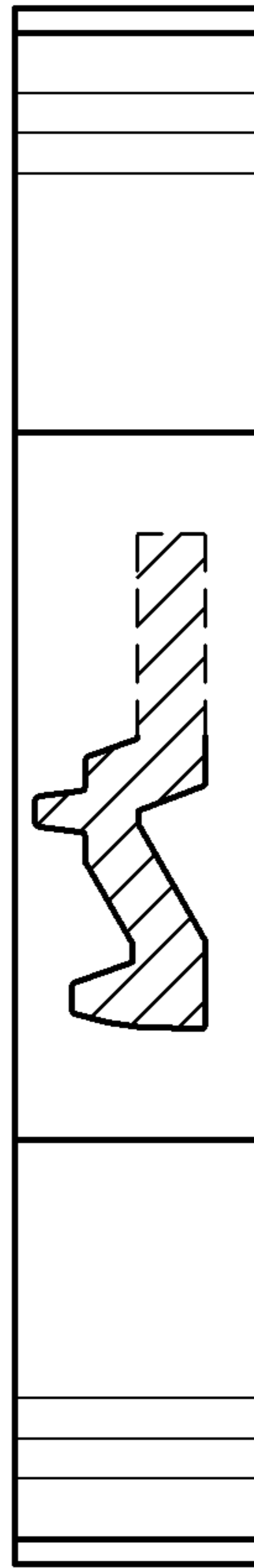


FIG. 8