



US00D908463S

(12) **United States Design Patent**  
**Ringwald**

(10) **Patent No.:** **US D908,463 S**

(45) **Date of Patent:** **\*\* Jan. 26, 2021**

(54) **THUMBTURN FOR A DOOR LOCK**  
(71) Applicant: **Carrier Corporation**, Palm Beach Gardens, FL (US)  
(72) Inventor: **Steven Ringwald**, Philomath, OR (US)  
(73) Assignee: **CARRIER CORPORATION**, Palm Beach Gardens, FL (US)

8,905,443 B2 \* 12/2014 Alber ..... E05B 63/20  
292/216  
8,925,982 B2 \* 1/2015 Bliding ..... E05B 47/0012  
292/144  
9,290,963 B2 \* 3/2016 Berger ..... E05B 1/003  
10,081,966 B2 \* 9/2018 Cheng ..... E05B 17/0008  
10,190,343 B1 \* 1/2019 Lawrence ..... E05C 3/046  
10,612,273 B2 \* 4/2020 Litwinski ..... E05B 63/0069

\* cited by examiner

(\*\*) Term: **15 Years**

*Primary Examiner* — Doris Clark

(21) Appl. No.: **29/705,616**

(74) *Attorney, Agent, or Firm* — Carlson, Gaskey & Olds, P.C.

(22) Filed: **Sep. 13, 2019**

(51) **LOC (13) Cl.** ..... **08-07**

(52) **U.S. Cl.**  
USPC ..... **D8/343**

(58) **Field of Classification Search**  
USPC ..... D8/343, 336, 337, 338  
CPC ..... E05B 15/002; E05B 15/1614; E05B 2015/1657; E05B 3/06; E05B 3/00; E05B 37/00; E05B 17/00; E05B 17/0012; E05B 13/00; E05B 13/101; E05B 13/106; E05B 13/04; E05B 13/002; E05B 55/06; E05B 47/0676; E05B 9/002; E05B 9/004; E05C 1/10; Y10T 70/8568

See application file for complete search history.

(56) **References Cited**

U.S. PATENT DOCUMENTS

D283,199 S \* 4/1986 Ostergren ..... D8/338  
D292,172 S \* 10/1987 Miller ..... D8/338  
D302,651 S \* 8/1989 Mosch ..... D8/337  
D498,659 S \* 11/2004 Huang ..... D8/343  
D685,623 S \* 7/2013 Lewis ..... D8/336

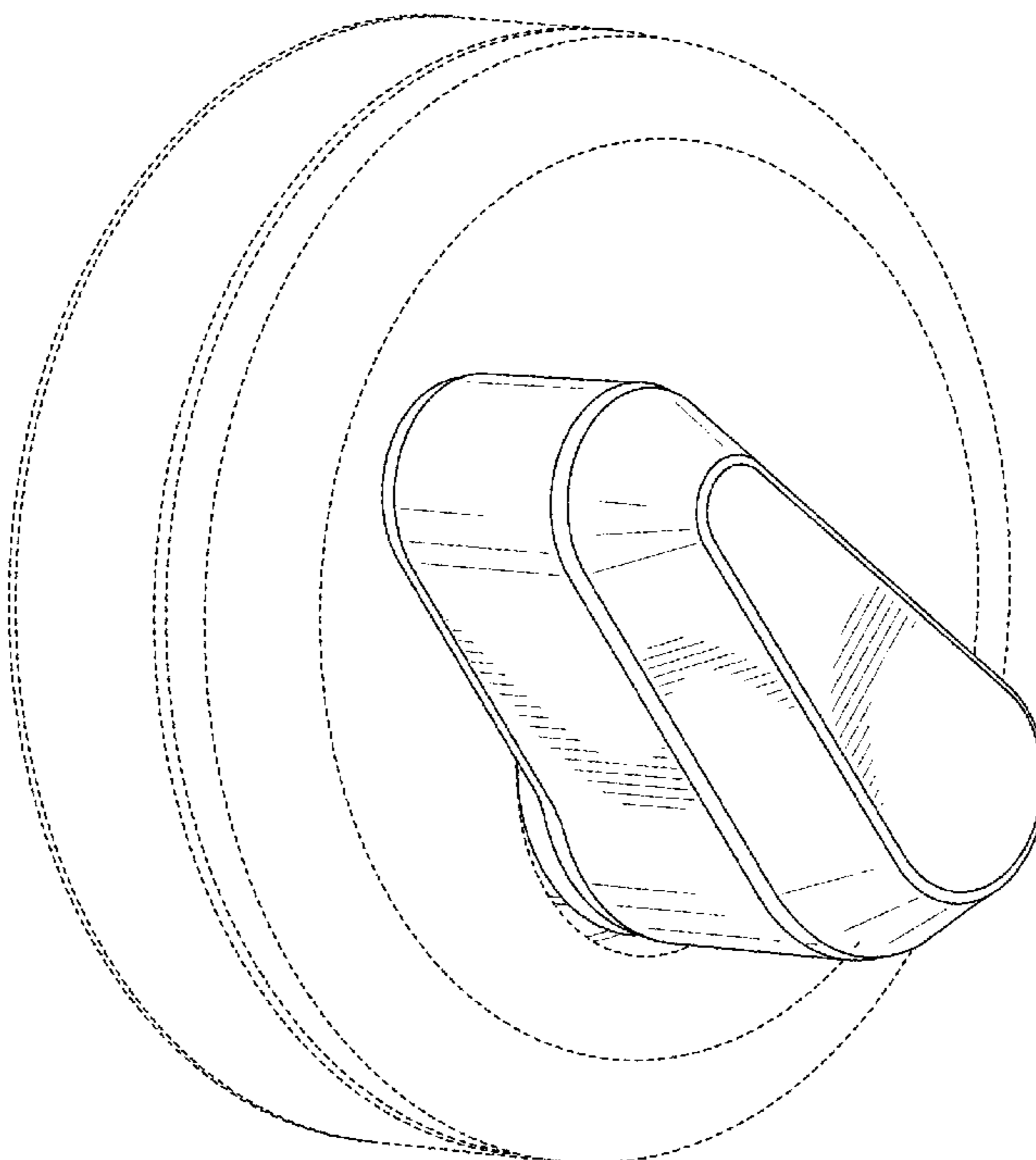
(57) **CLAIM**

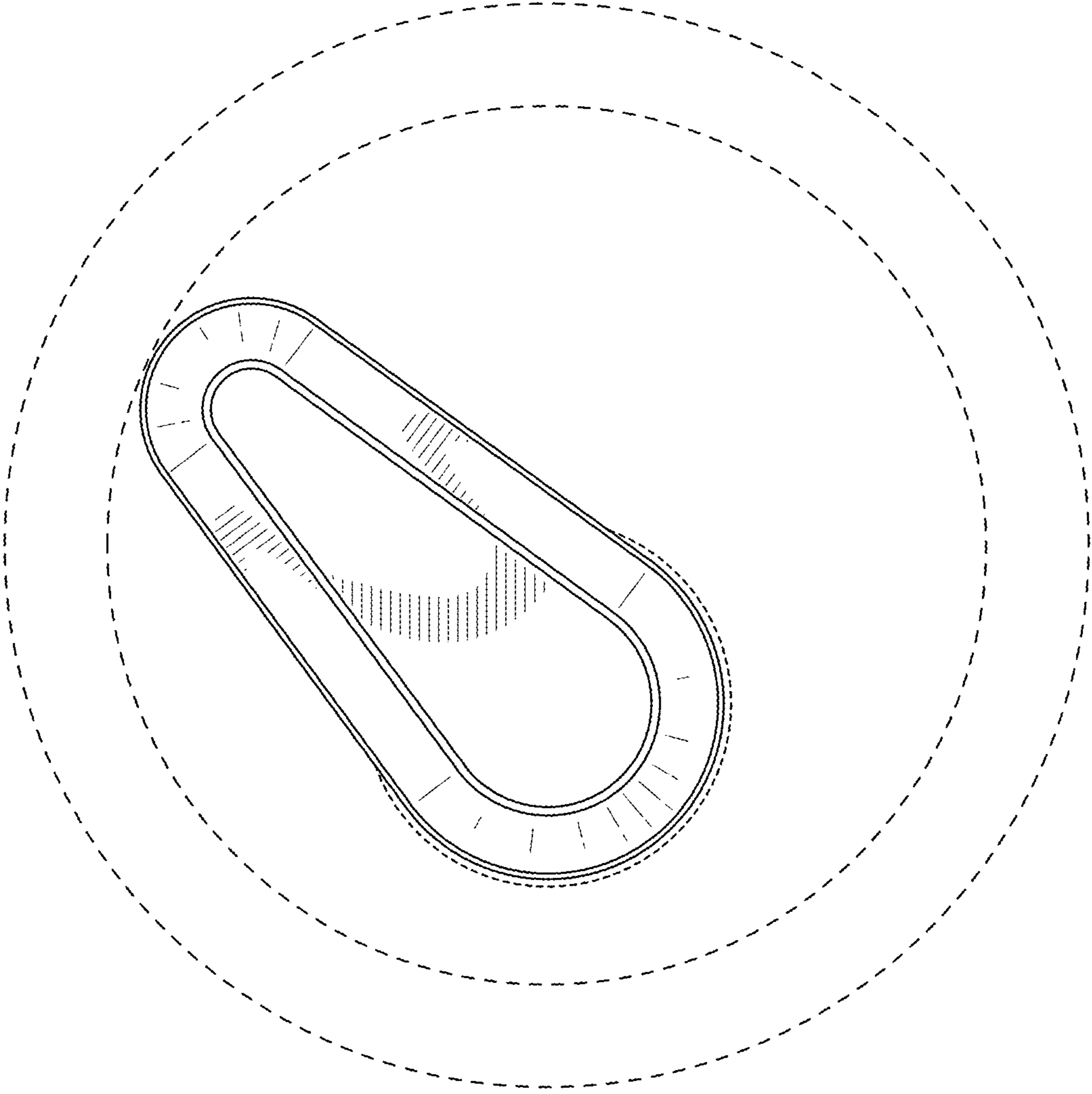
I claim the ornamental design for a thumbturn for a door lock, as shown and described.

**DESCRIPTION**

FIG. 1 is a front view of a thumbturn for a door lock.  
FIG. 2 is a first perspective view of the thumbturn for a door lock of FIG. 1.  
FIG. 3 is a second perspective view of the thumbturn for a door lock of FIG. 1.  
FIG. 4 is a first side view of the thumbturn for a door lock of FIG. 1; and,  
FIG. 5 is a second side view of the thumbturn for a door lock of FIG. 1 that is opposite the first side view of FIG. 4.  
The broken lines showing the door lock assembly in the Figures are for illustrative purposes only and form no part of the claimed design. The shade lines in the Figures show contour or the flatness of a surface, and not surface ornamentation.

**1 Claim, 5 Drawing Sheets**





**FIG. 1**

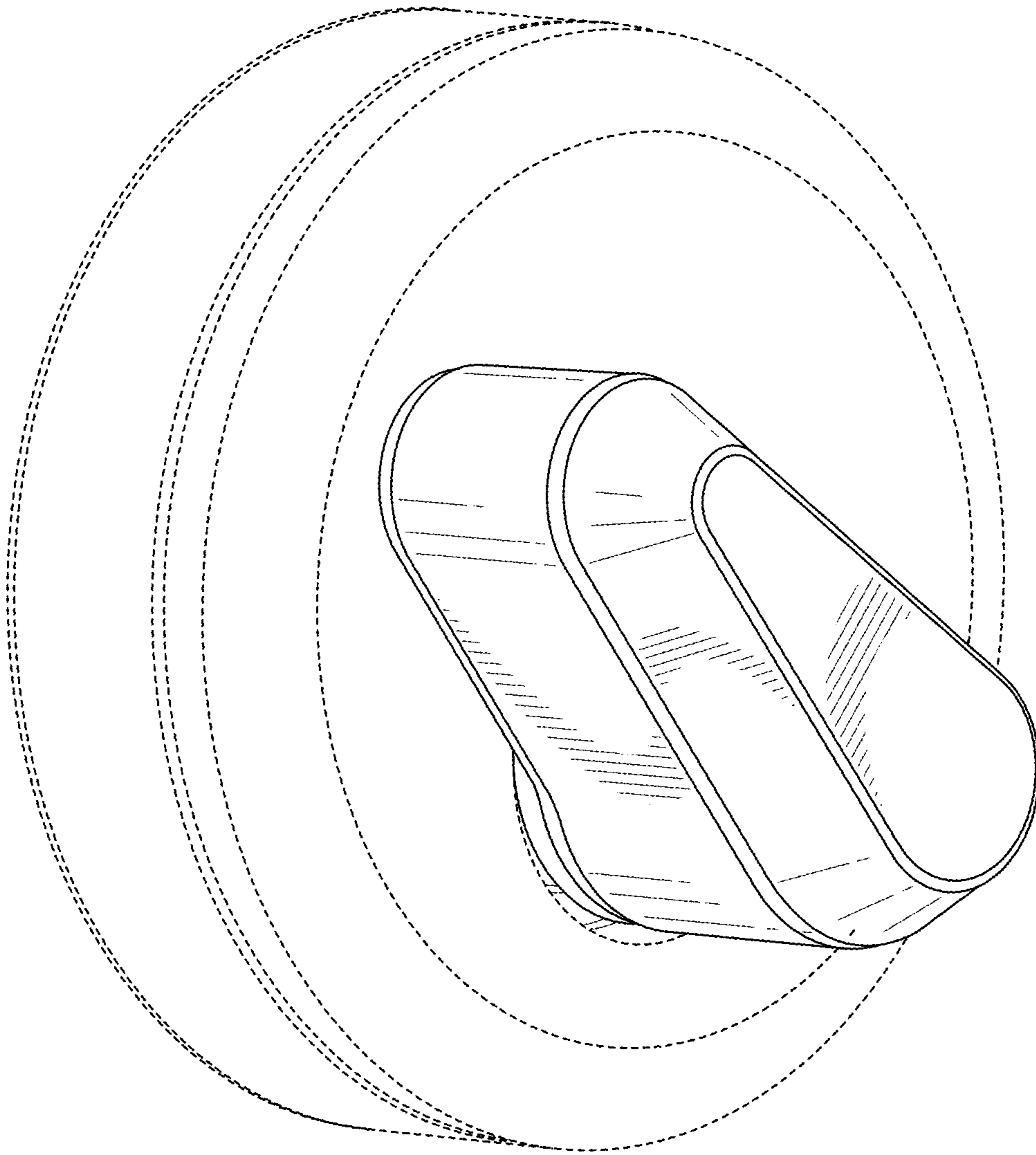


FIG. 2

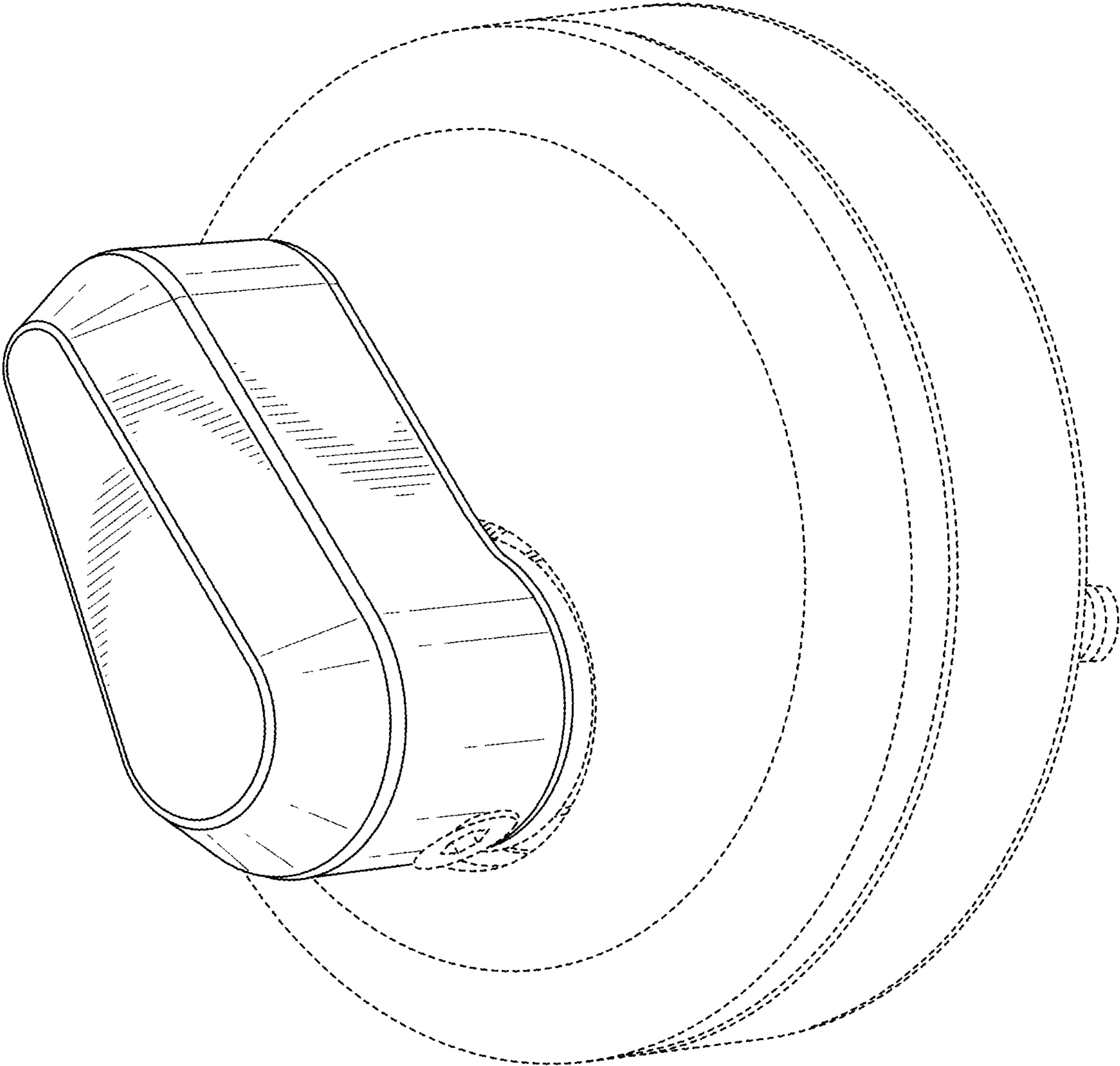


FIG. 3

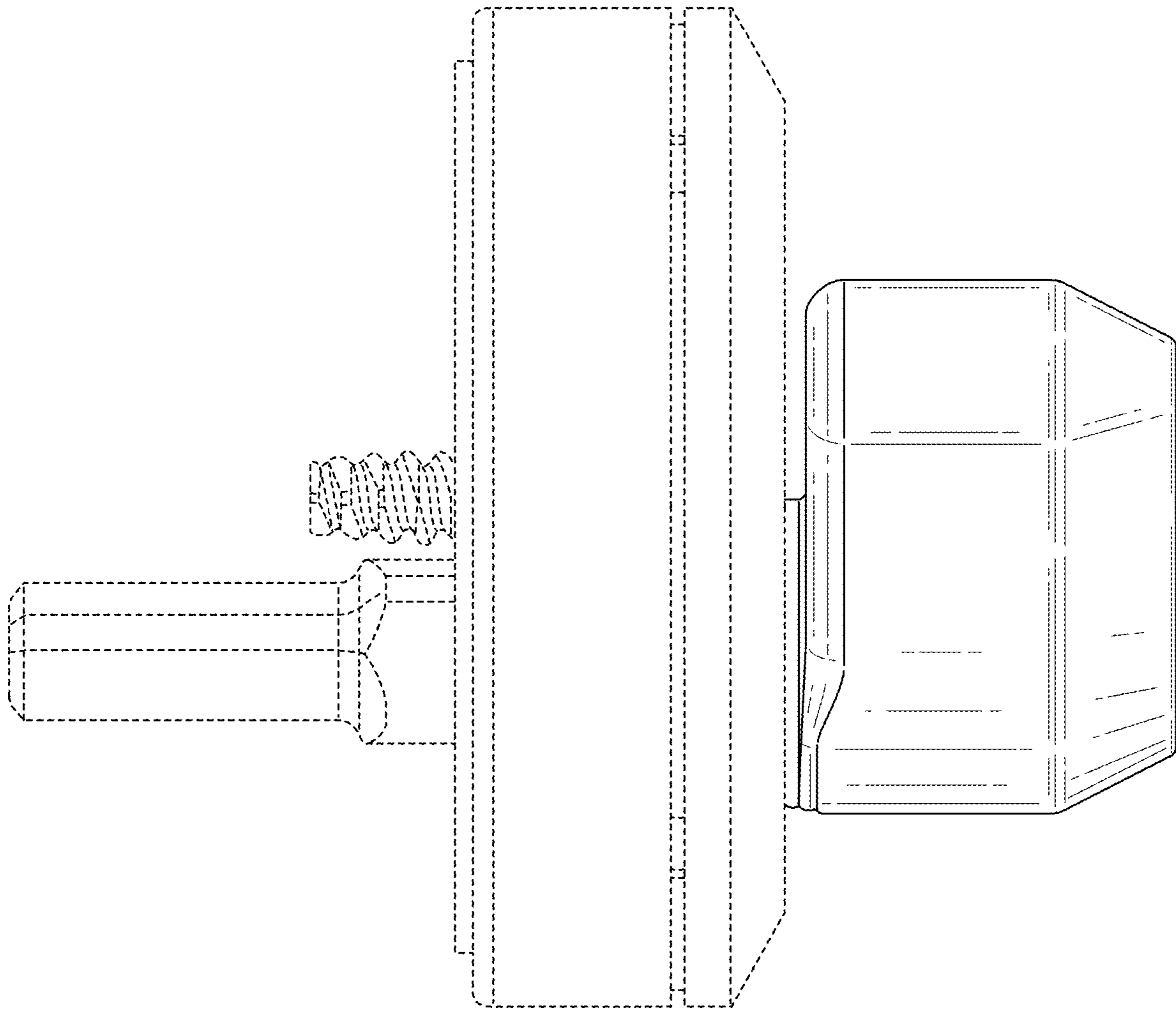


FIG. 4

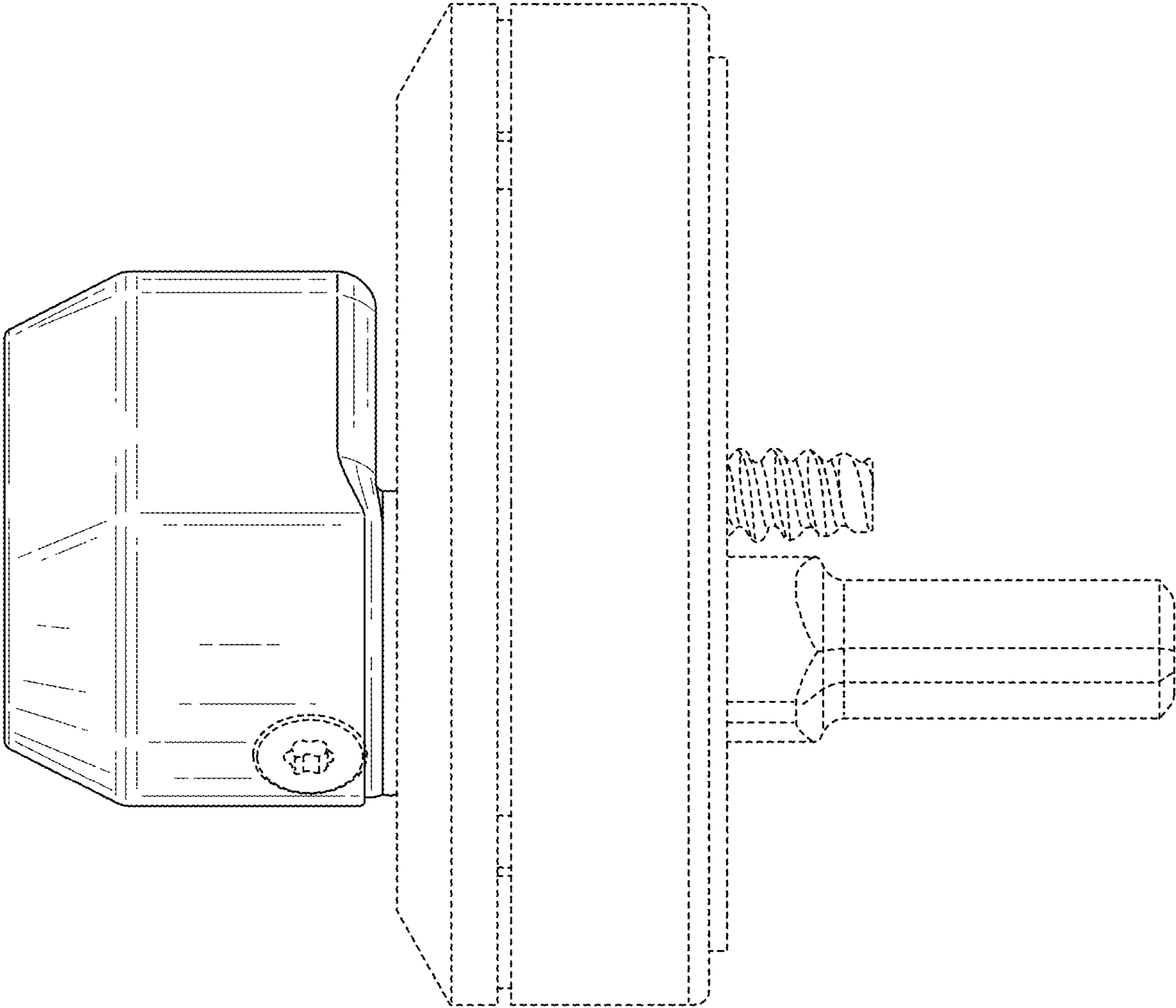


FIG. 5