



US00D908462S

(12) **United States Design Patent**  
**Sunouchi**

(10) **Patent No.:** **US D908,462 S**

(45) **Date of Patent:** **\*\* Jan. 26, 2021**

(54) **LOCK**

(71) Applicant: **GENERAL PIANO SERVICE CO., LTD**, Matsuyama (JP)

(72) Inventor: **Kozo Sunouchi**, Matsuyama (JP)

(73) Assignee: **GENERAL PIANO SERVICE CO., LTD**, Matsuyama (JP)

(\*\*) Term: **15 Years**

(21) Appl. No.: **29/671,718**

(22) Filed: **Nov. 29, 2018**

(30) **Foreign Application Priority Data**

Oct. 12, 2018 (JP) ..... 2018-022459

(51) **LOC (13) Cl.** ..... **08-07**

(52) **U.S. Cl.**  
USPC ..... **D8/336; D8/331; D8/330**

(58) **Field of Classification Search**  
USPC ..... D8/330-334, 336-350; 292/341, 341.1, 292/340, 344, 343, 18  
CPC ..... B25H 3/02; B25H 3/00; Y10S 312/902  
See application file for complete search history.

(56) **References Cited**

**U.S. PATENT DOCUMENTS**

D144,485 S *	4/1946	Dieter	.....	D8/341
D204,685 S *	5/1966	Davis	.....	D8/341
D217,584 S *	5/1970	Gervis et al.	.....	D8/341
D219,641 S *	1/1971	Johnson	.....	D8/332
D231,821 S *	6/1974	Maged	.....	D8/332
D318,007 S *	7/1991	Hansen	.....	D8/336
D319,001 S *	8/1991	Weinerman	.....	D8/331
5,707,092 A *	1/1998	Van Slembrouck	.....	E05B 85/045
				292/341.12

D540,148 S *	4/2007	Moore	.....	D8/330
9,297,183 B2 *	3/2016	Williams	.....	E05B 15/024
2012/0086224 A1 *	4/2012	Novajovsky	.....	E05B 85/045
				292/341.18

**FOREIGN PATENT DOCUMENTS**

EM	007438601-0004	*	12/2019
GB	2042172	*	9/1994

**OTHER PUBLICATIONS**

CPS Imports, Wood Adjustable Piano Foot Rest in Ebony, Date first available Dec. 7, 2012, [online]retrieved Oct. 29, 2020, available from internet, www.amazon.com (Year: 2012).\*

(Continued)

*Primary Examiner* — Keli L Hill

*Assistant Examiner* — Sara S Sahneh

(74) *Attorney, Agent, or Firm* — Locke Lord LLP

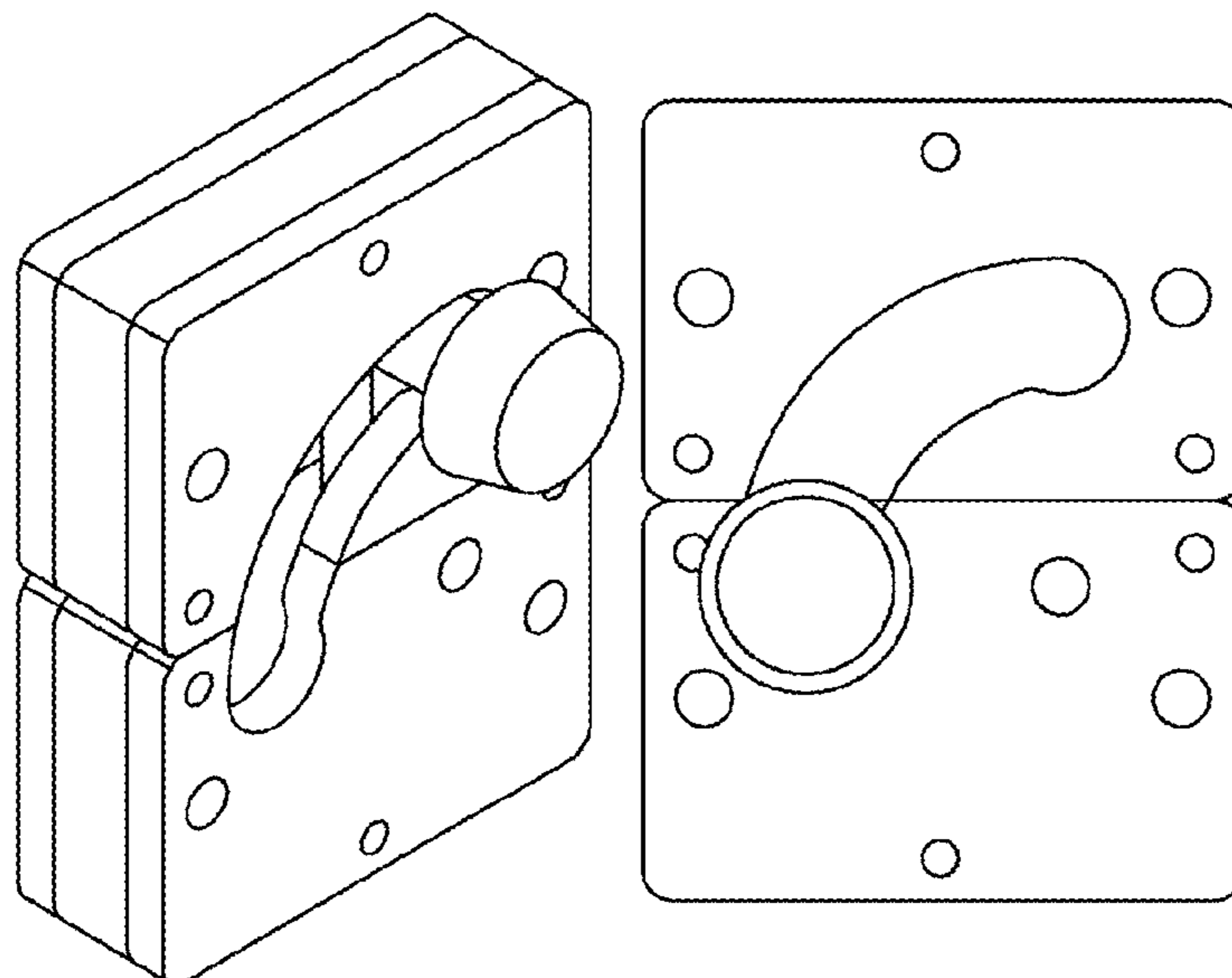
(57) **CLAIM**

The ornamental design for a lock, as shown and described.

**DESCRIPTION**

FIG. 1 is a front view of the lock;  
FIG. 2 is a back view thereof;  
FIG. 3 is a top view thereof;  
FIG. 4 is a bottom view thereof;  
FIG. 5 is a right side view thereof;  
FIG. 6 is a left side view thereof;  
FIG. 7 is a perspective view thereof;  
FIG. 8 is a front view with the lock removed thereof;  
FIG. 9 is a front view of the lock part thereof;  
FIG. 10 is a top view of the lock part thereof;  
FIG. 11 is a front view of lock receiver thereof;  
FIG. 12 is a bottom view of lock receiver thereof; and,  
FIG. 13 is another perspective view.  
The broken lines shown in FIG. 13 are included for the purpose of illustrating environment of the lock and forms no part of the claim.

**1 Claim, 7 Drawing Sheets**



(56)

**References Cited**

OTHER PUBLICATIONS

Griffin , Piano Foot Pedal Extender by Griffin | Dual Deluxe Extension Prop for Beginners & Kids with Una Corda & Sustain Pedal, Date first available Oct. 10, 2014, [online]retrieved Oct. 29, 2020, available from internet, [www.amazon.com](http://www.amazon.com) (Year: 2014).\*

Neewer Store, NW-009 Adjustable Deluxe Padded Piano Bench— Music Keyboard Bench, Leather Backless Stool,Date first available Sep. 12, 2017, [online]retrieved Oct. 29, 2020, available from internet, [www.amazon.com](http://www.amazon.com) (Year: 2017).\*

\* cited by examiner

FIG 1

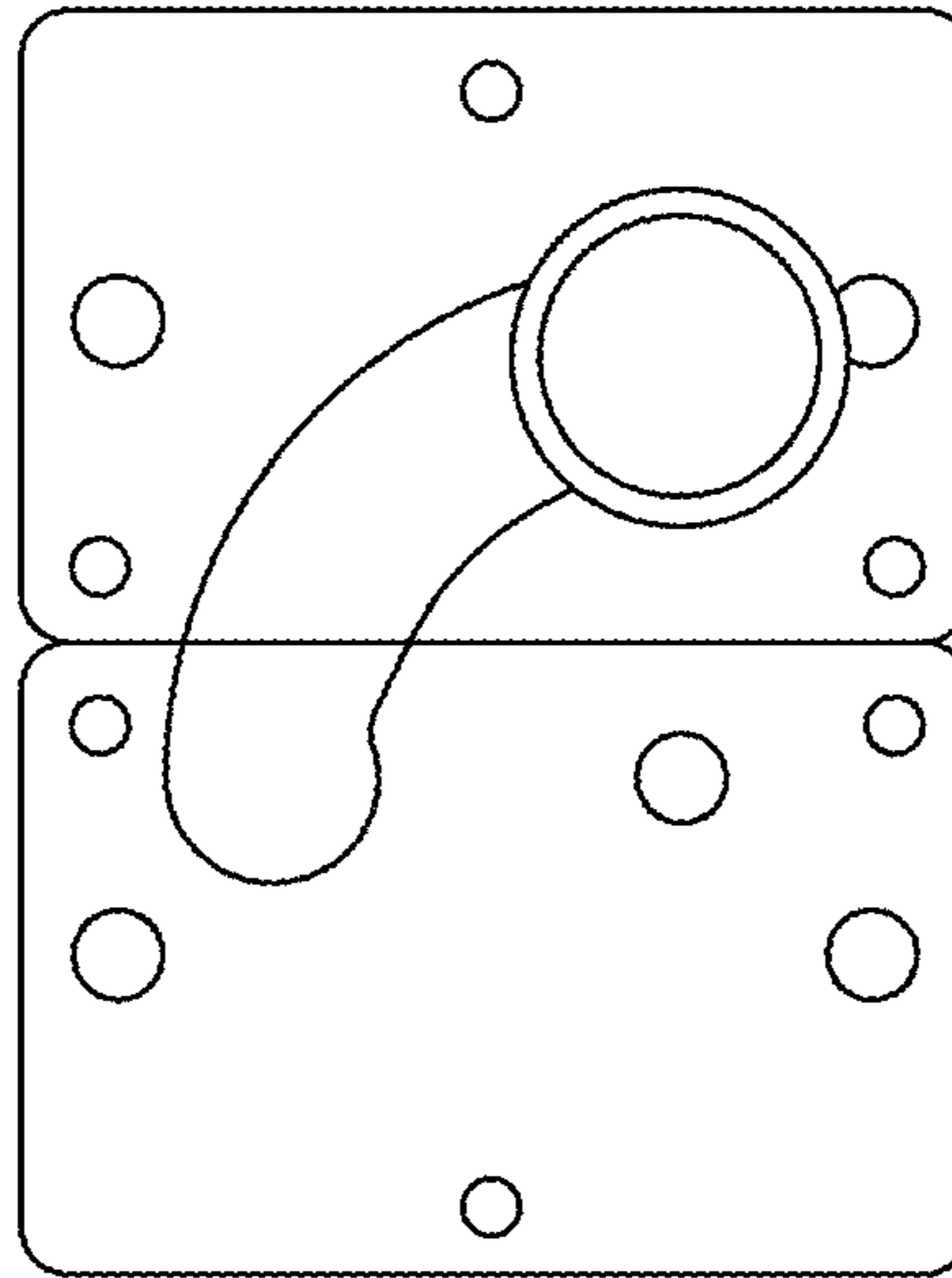


FIG 2

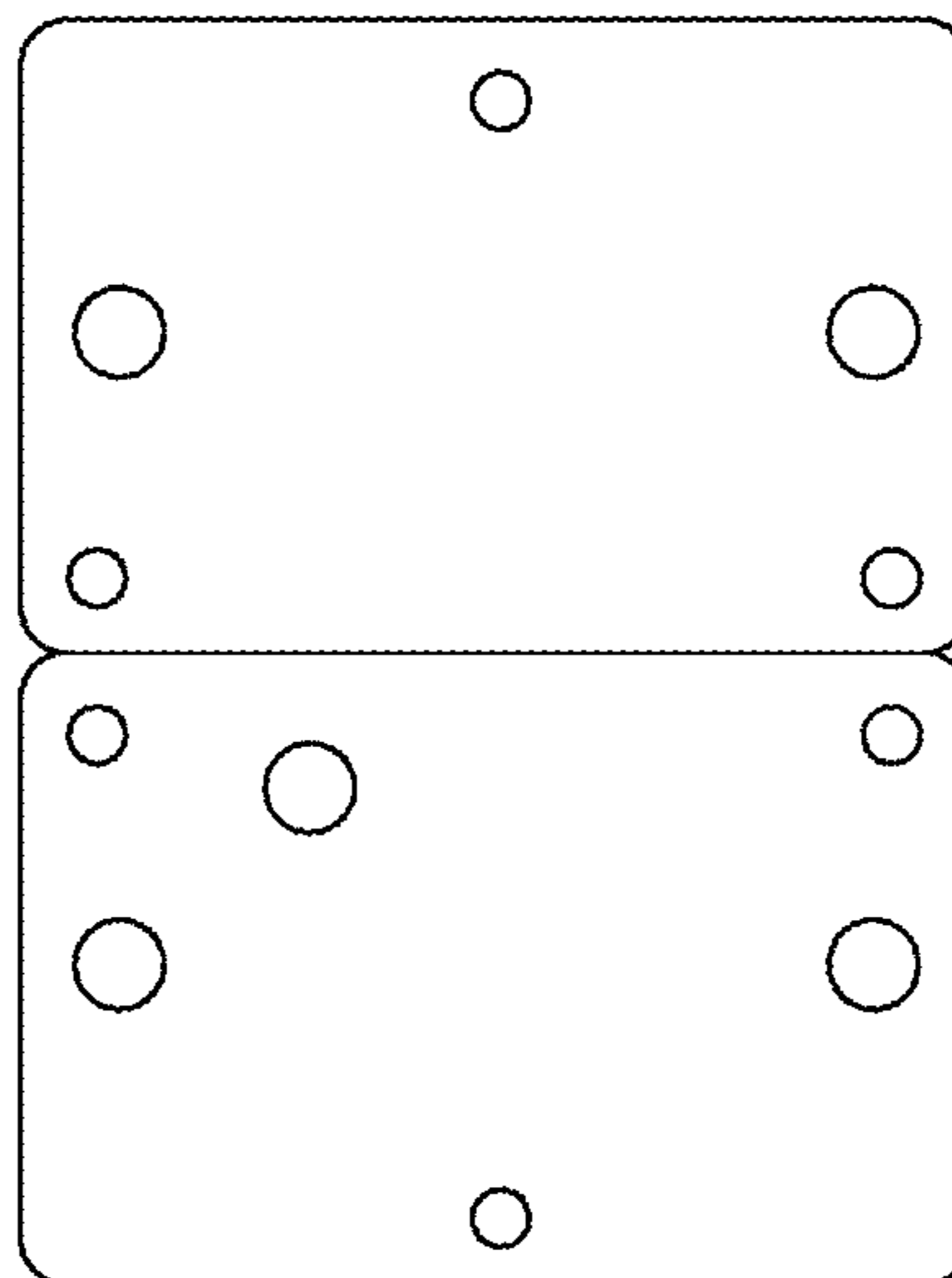


FIG 3

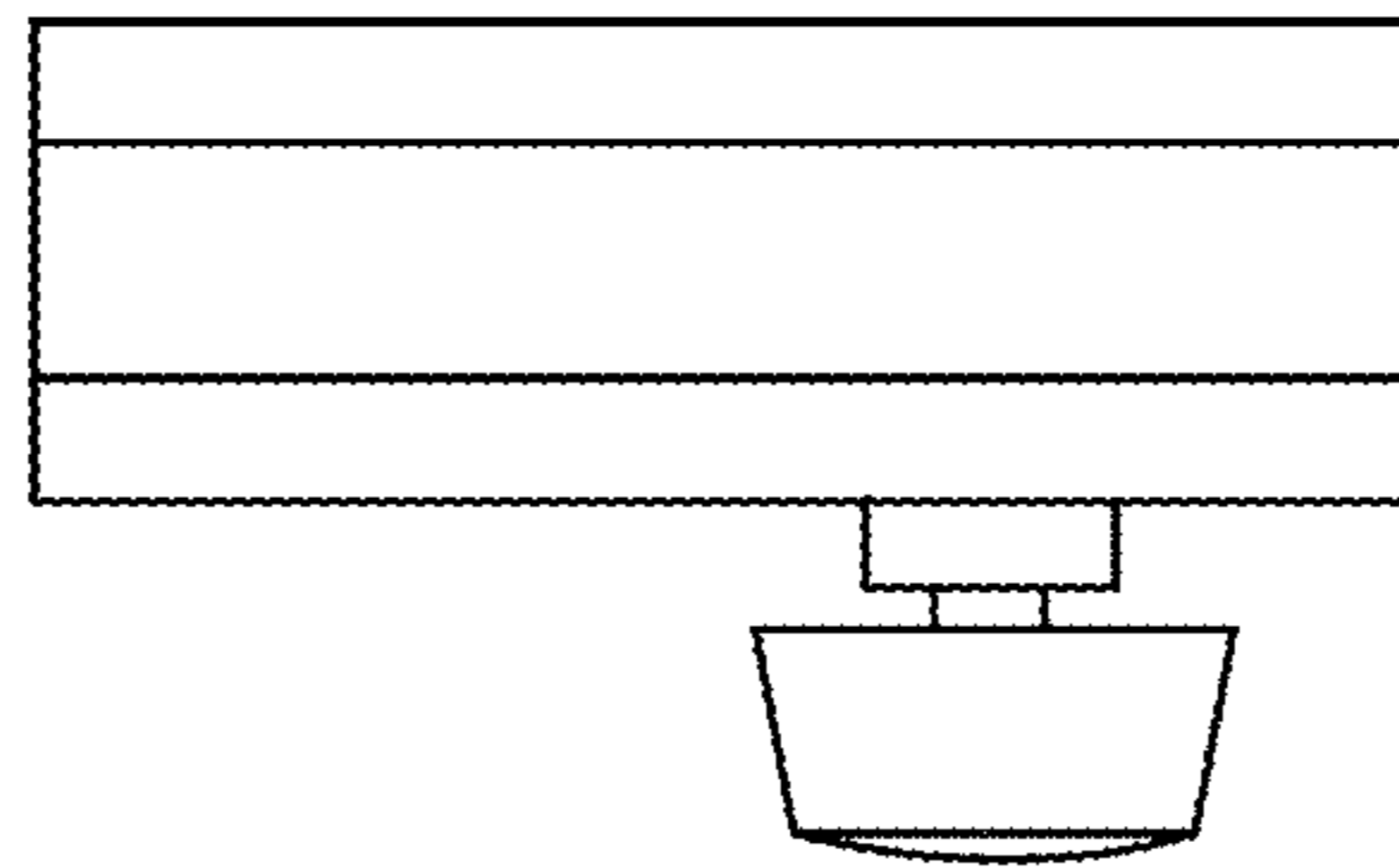


FIG 4

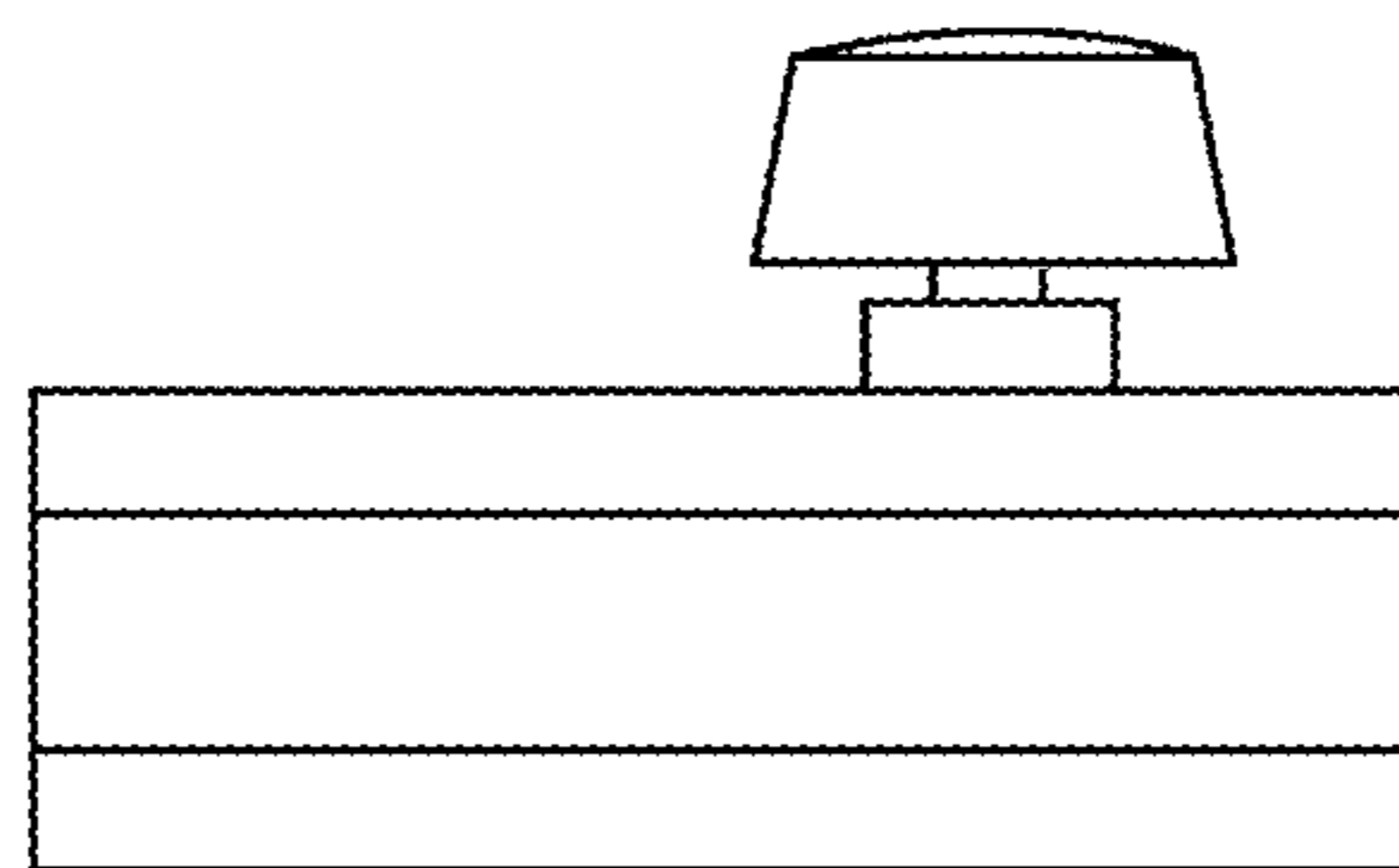


FIG 5

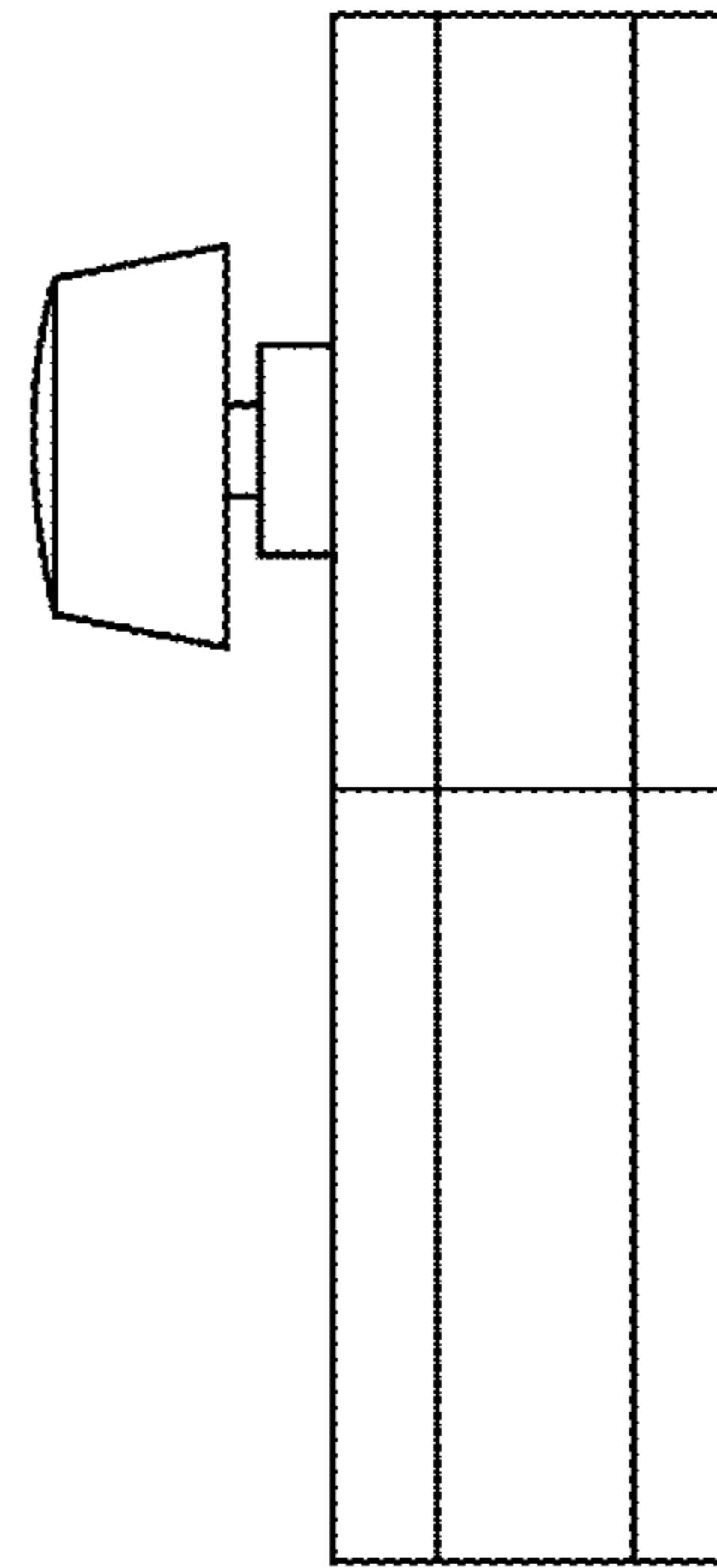


FIG 6

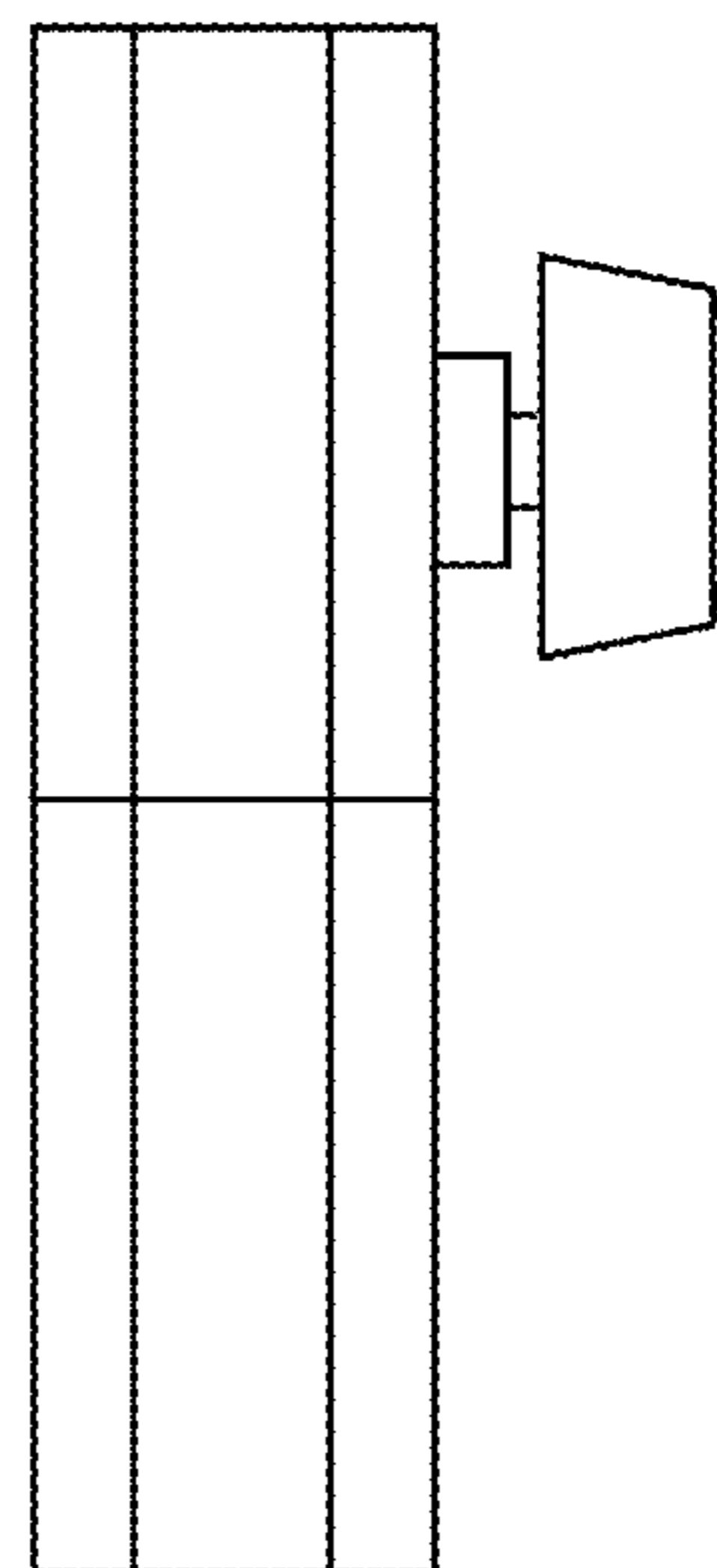


FIG 7

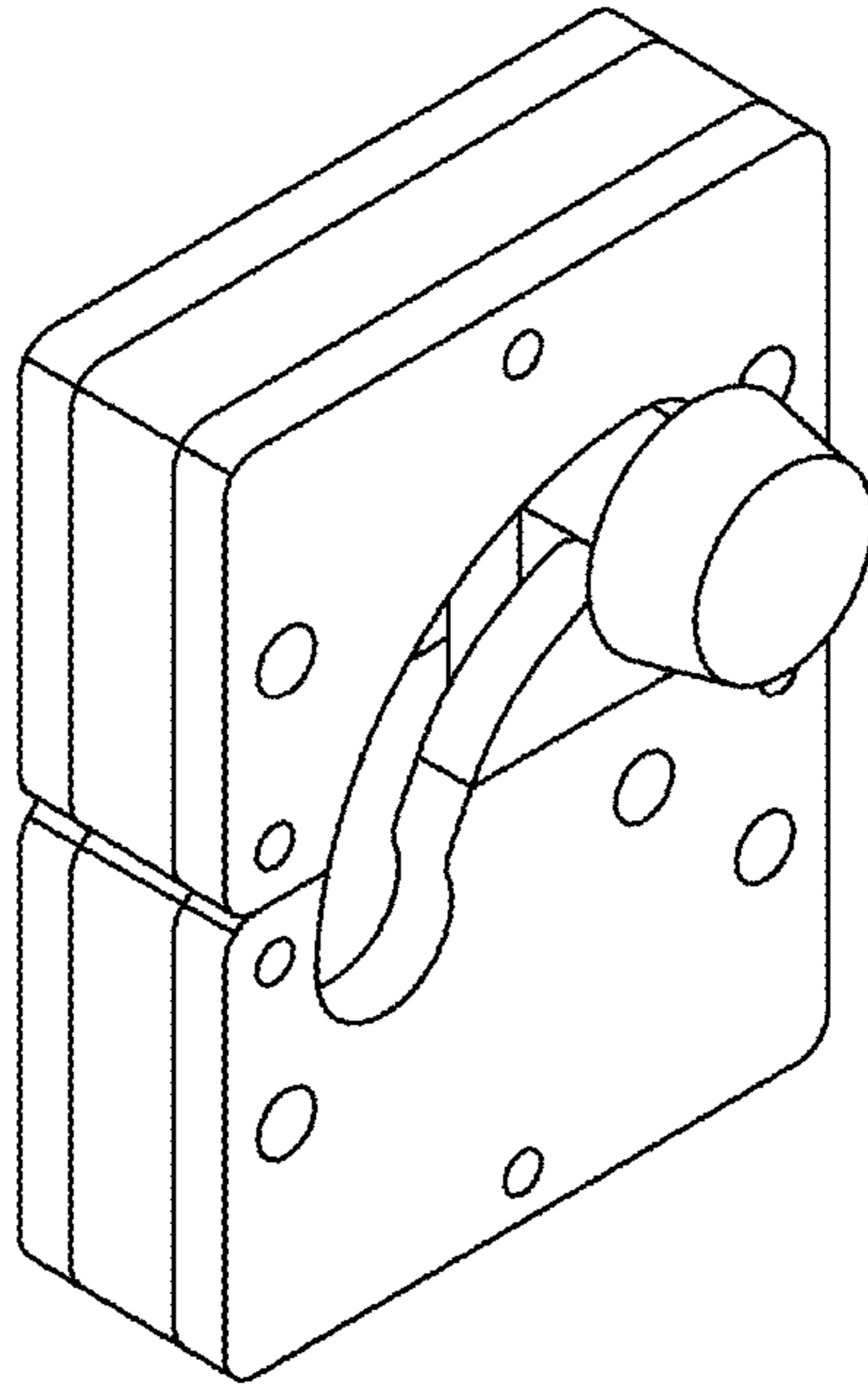


FIG 8

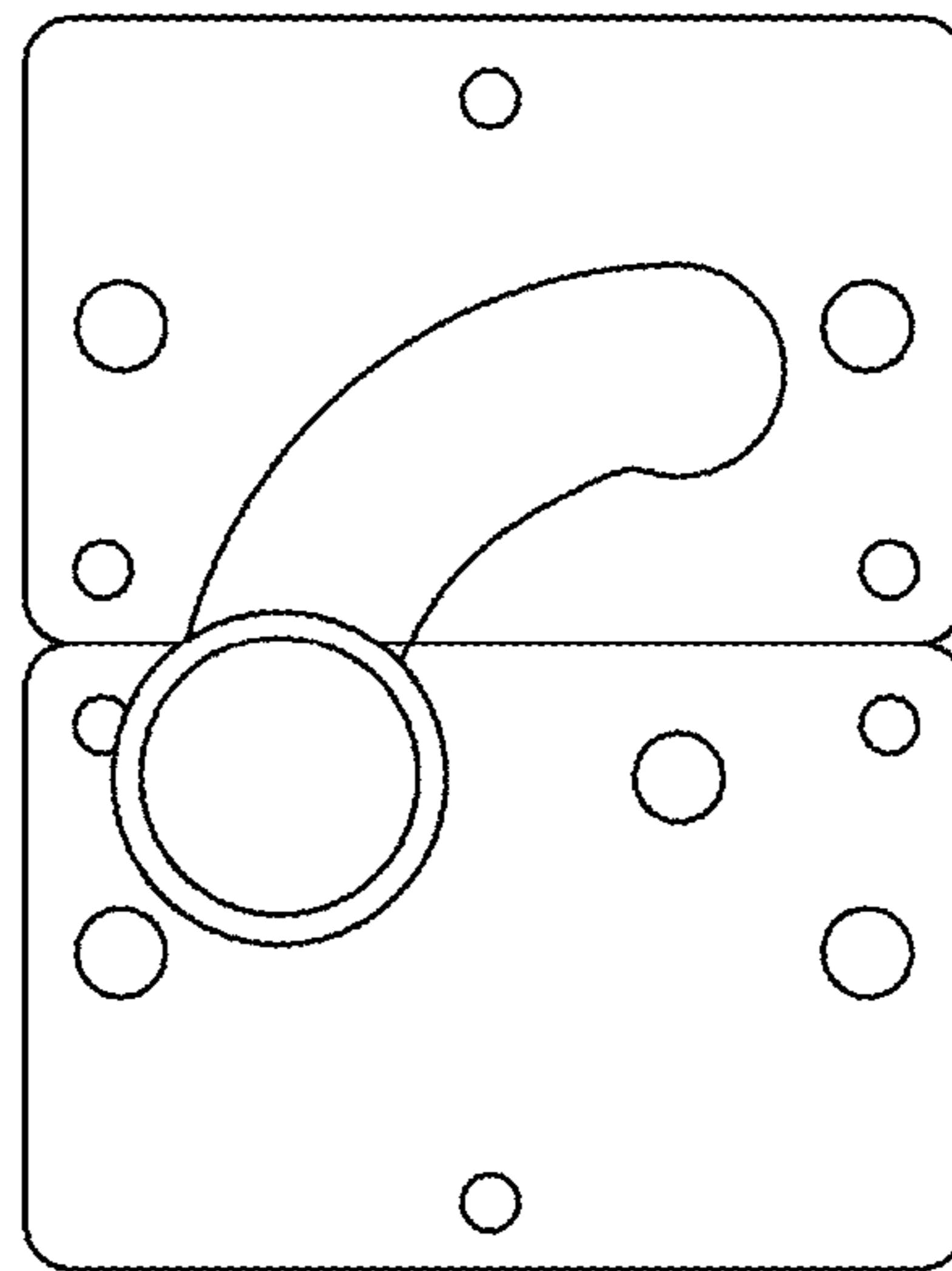


FIG 9

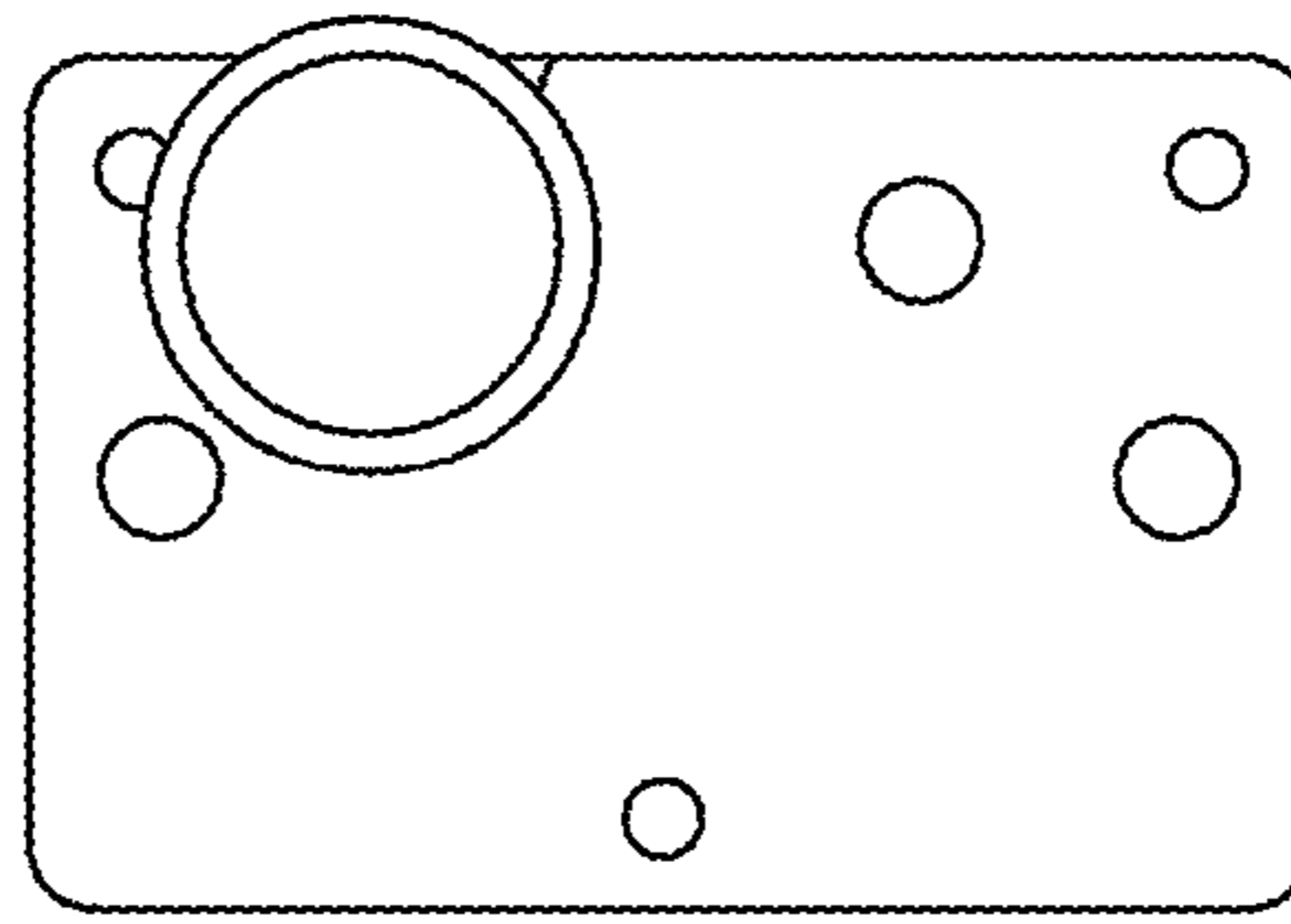


Fig 10

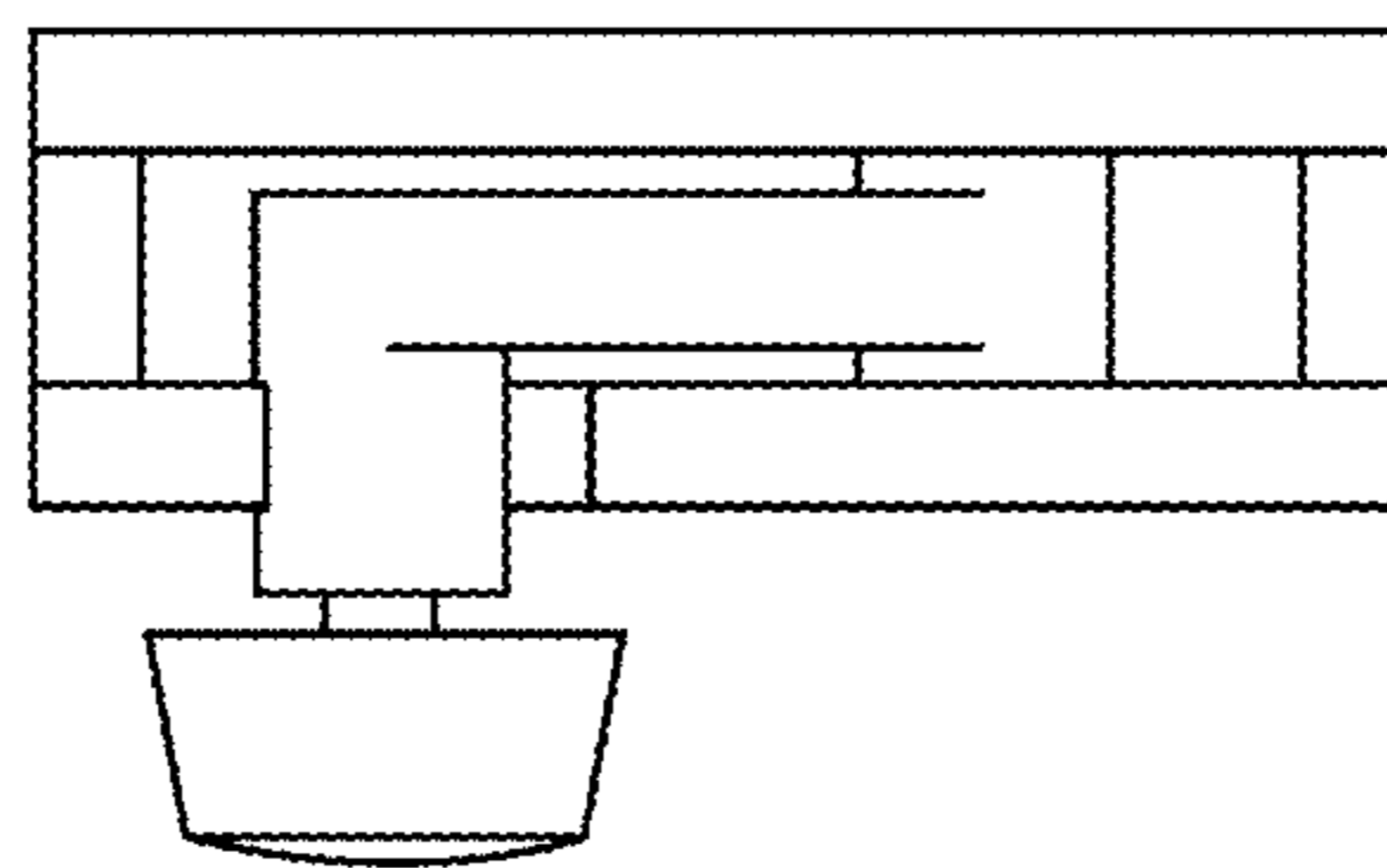


FIG 11

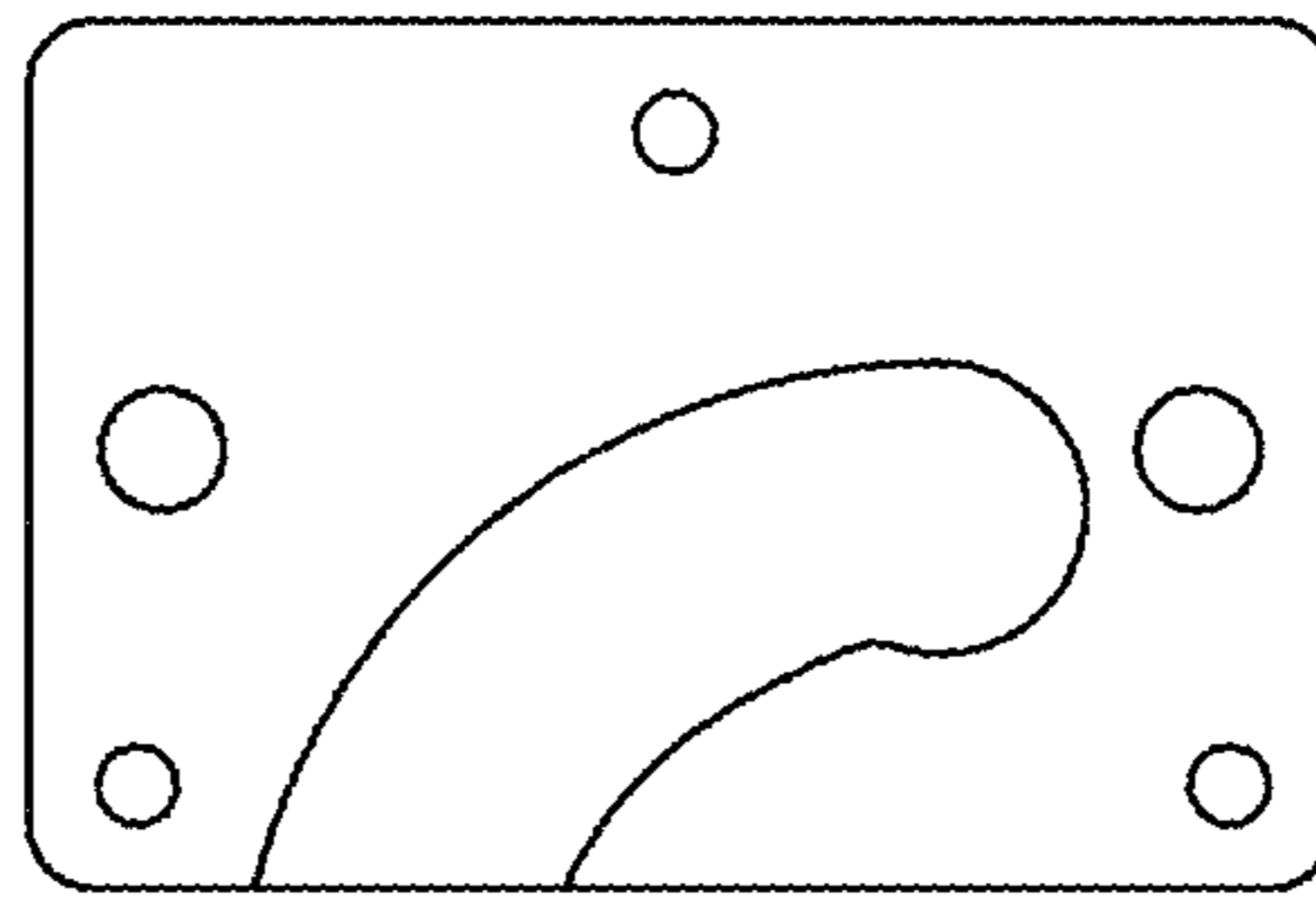


FIG 12

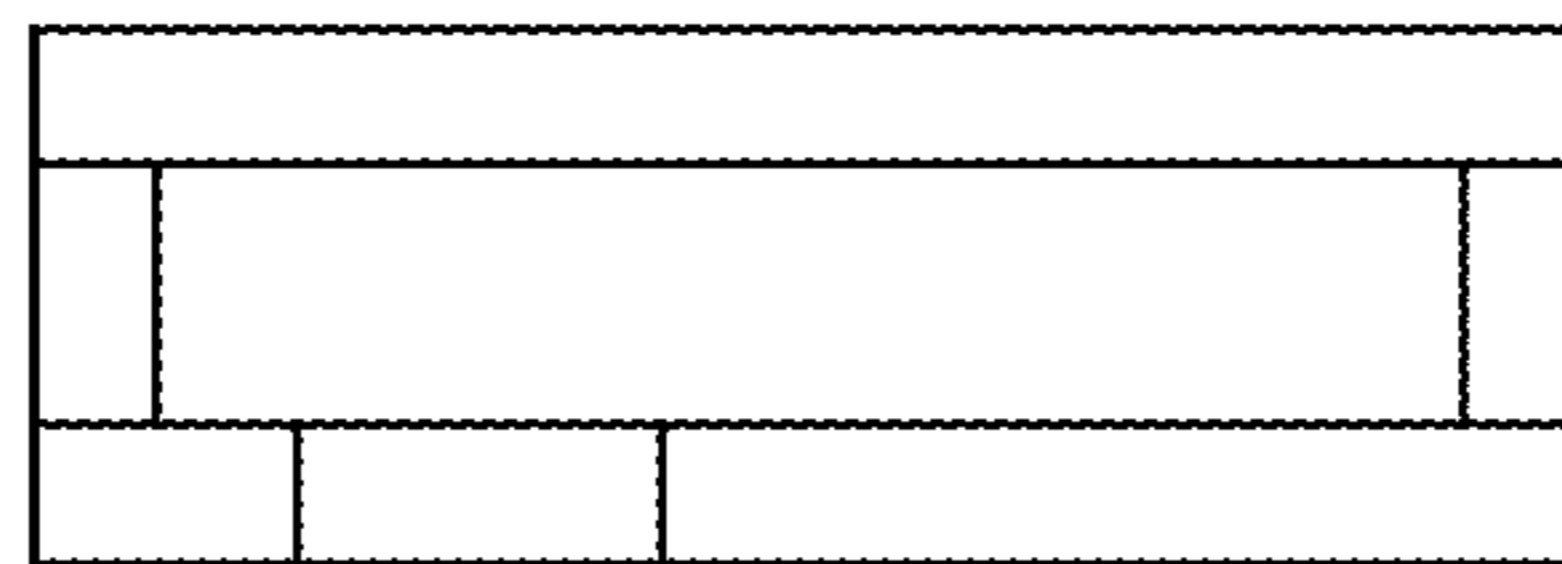




FIG. 13

