



US00D908456S

(12) **United States Design Patent**
Thorn

(10) **Patent No.:** **US D908,456 S**

(45) **Date of Patent:** **** Jan. 26, 2021**

- (54) **FOLDING SAW**
- (71) Applicant: **OAKTHRIFT CORPORATION LTD,**
Hertfordshire (GB)
- (72) Inventor: **James John Thorn,** Rochford (GB)
- (73) Assignee: **OAKTHRIFT CORPORATION**
LTD., Hertfordshire (GB)

- 6,467,173 B1 * 10/2002 Umstead B23D 51/01
30/144
- D482,257 S * 11/2003 Taylor D8/95
- 6,879,326 B1 * 4/2005 Herman G09G 5/02
345/589
- 7,093,367 B1 * 8/2006 Huang B23D 51/01
30/161
- D527,602 S * 9/2006 Axon D8/95
- D637,882 S * 5/2011 Bloch D8/95
- D664,823 S * 8/2012 Pringnitz D8/7
- D706,593 S * 6/2014 Meiller D8/9

(**) Term: **15 Years**

(21) Appl. No.: **29/642,637**

(22) Filed: **Mar. 30, 2018**

(51) **LOC (13) Cl.** **08-03**

(52) **U.S. Cl.**
USPC **D8/95**

(58) **Field of Classification Search**
USPC D8/95, 96, 97, 98, 99, 100, 105, 107;
D22/118
CPC .. B26B 1/08; B26B 5/00; B26B 5/001; B26B
5/002; B26B 5/003; B26B 5/006; B26B
1/00; B23D 51/01; B23D 51/10; B23D
49/14; B23D 49/10
See application file for complete search history.

(56) **References Cited**

U.S. PATENT DOCUMENTS

- 4,660,284 A * 4/1987 Decarolis B23D 49/14
30/157
- D299,443 S * 1/1989 Durand D11/153
- D357,166 S * 4/1995 Concari D8/107
- 5,584,123 A * 12/1996 Chi B23D 51/01
30/125
- 5,661,908 A * 9/1997 Chen B23D 51/01
30/125
- D386,381 S * 11/1997 Black D8/95
- D397,281 S * 8/1998 Hsu D8/95
- 6,363,614 B1 * 4/2002 Umstead B23D 51/01
30/144

Primary Examiner — Philip S Hyder

(74) *Attorney, Agent, or Firm* — Weiss & Moy, P.C.;
Jeffrey D. Moy

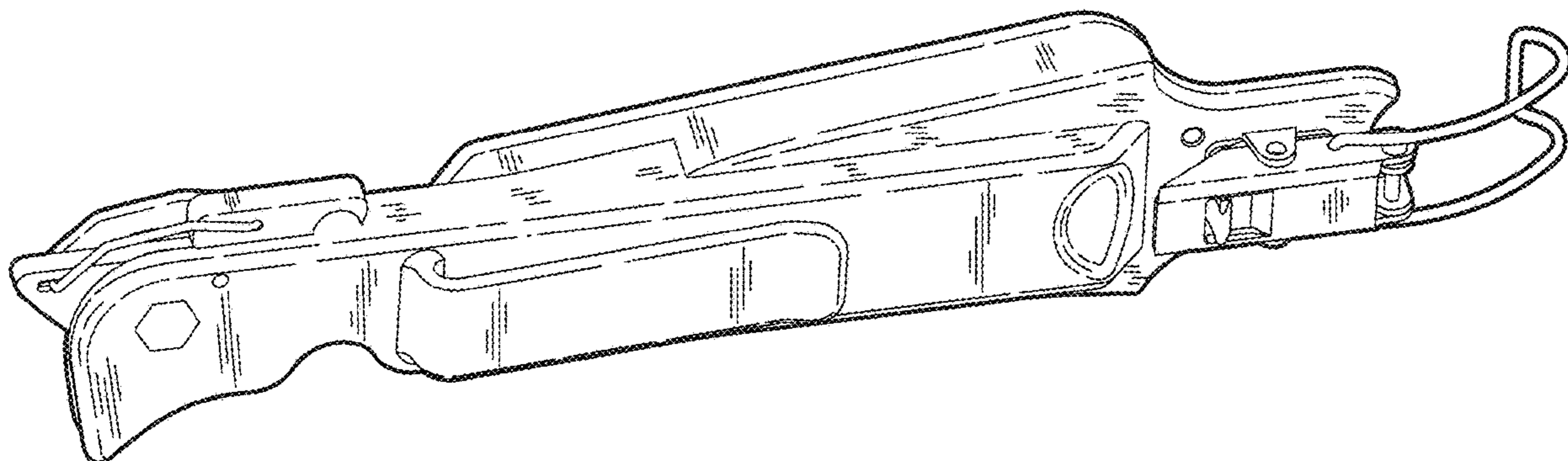
(57) **CLAIM**

The ornamental design for a folding saw, as shown and described.

DESCRIPTION

FIG. 1 is a perspective view of the folding saw with the saw blade in a closed position;
 FIG. 2 is a perspective view of die folding saw with the saw blade in an extended position;
 FIG. 3 is a right-side view of the folding saw with the saw blade in the closed position;
 FIG. 4 is a left-side view of the folding saw with the saw blade in the closed position;
 FIG. 5 is a top view of the folding saw with the saw blade in the closed position;
 FIG. 6 is a left, bottom perspective view of the folding saw with the saw blade in the closed position;
 FIG. 7 is a left, bottom perspective view of the folding saw with the saw blade in the extended position;
 FIG. 8 is a magnified front view of the folding saw with the saw blade in the closed position; and,
 FIG. 9 is a magnified rear view of the folding saw with the saw blade in the closed position.

1 Claim, 9 Drawing Sheets



(56)

References Cited

U.S. PATENT DOCUMENTS

10,150,221 B1 * 12/2018 Chen B26B 1/044
D847,601 S * 5/2019 Dechant D8/95

* cited by examiner

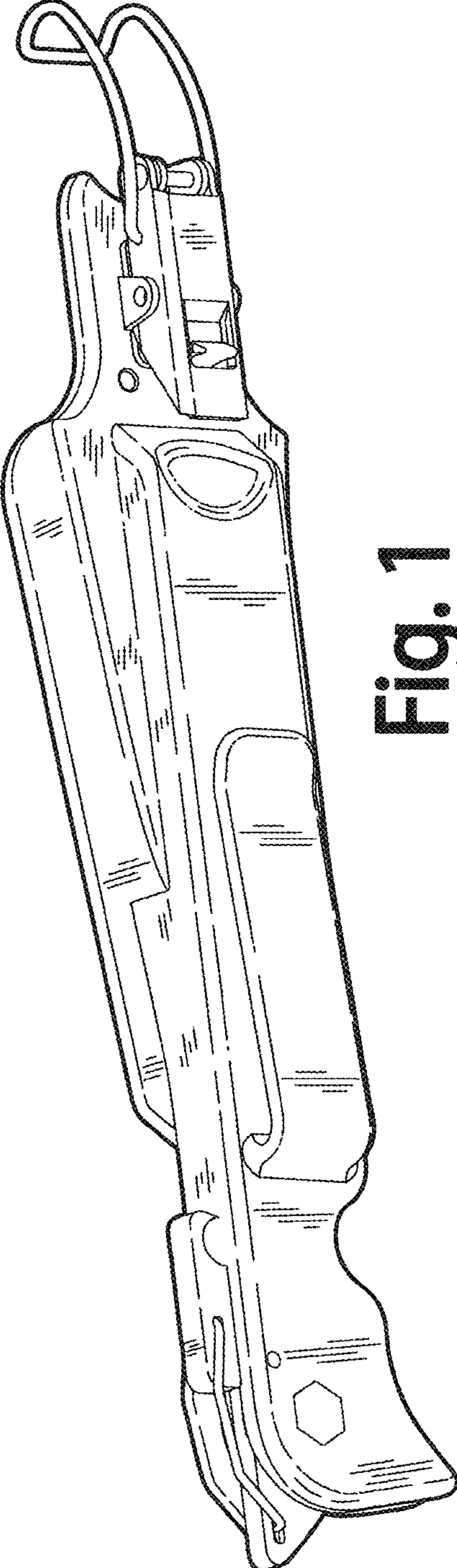


Fig. 1

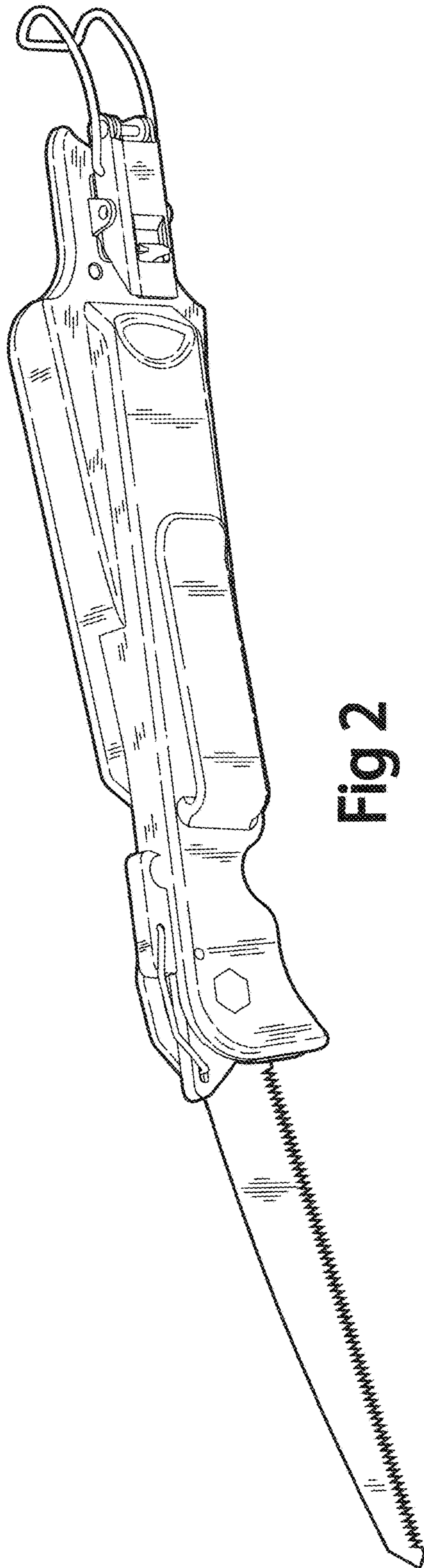


Fig 2

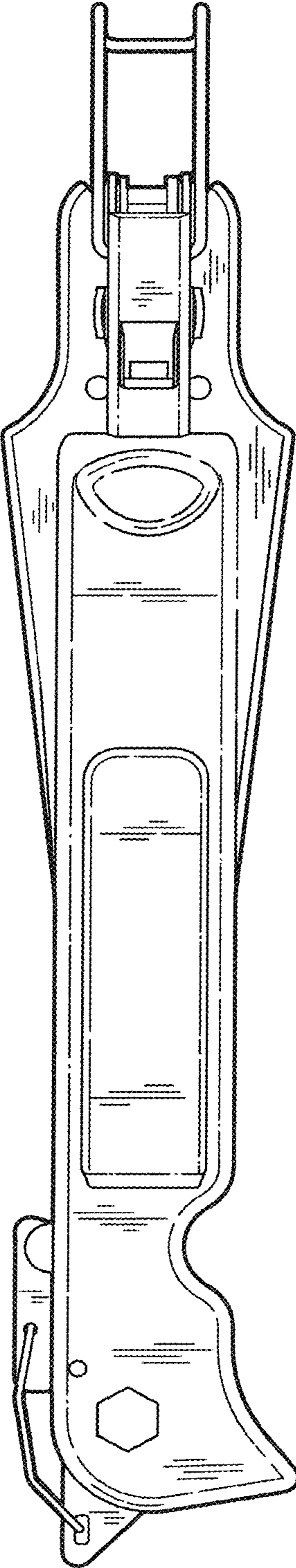


Fig. 3

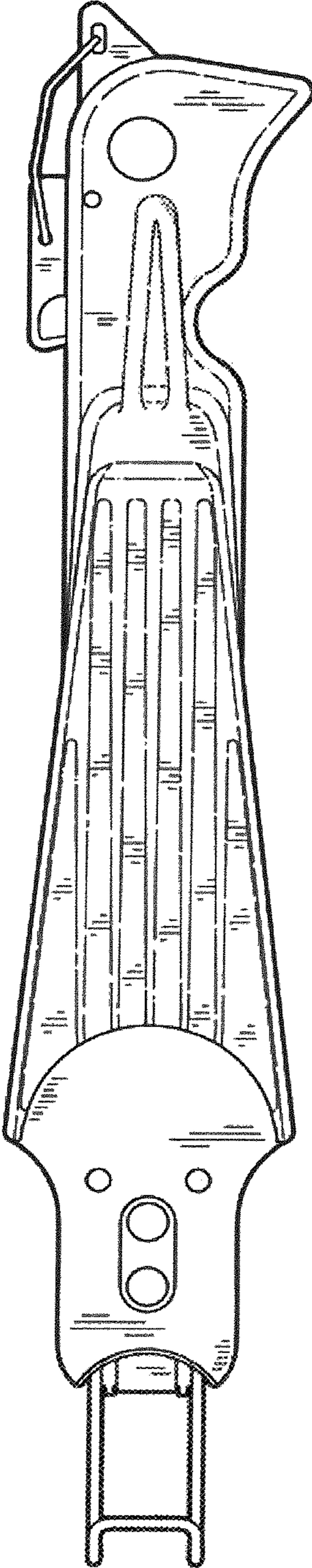


Fig. 4

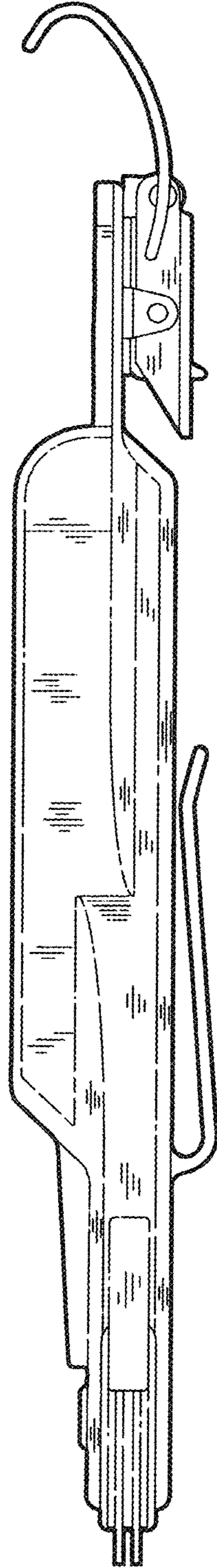


Fig. 5

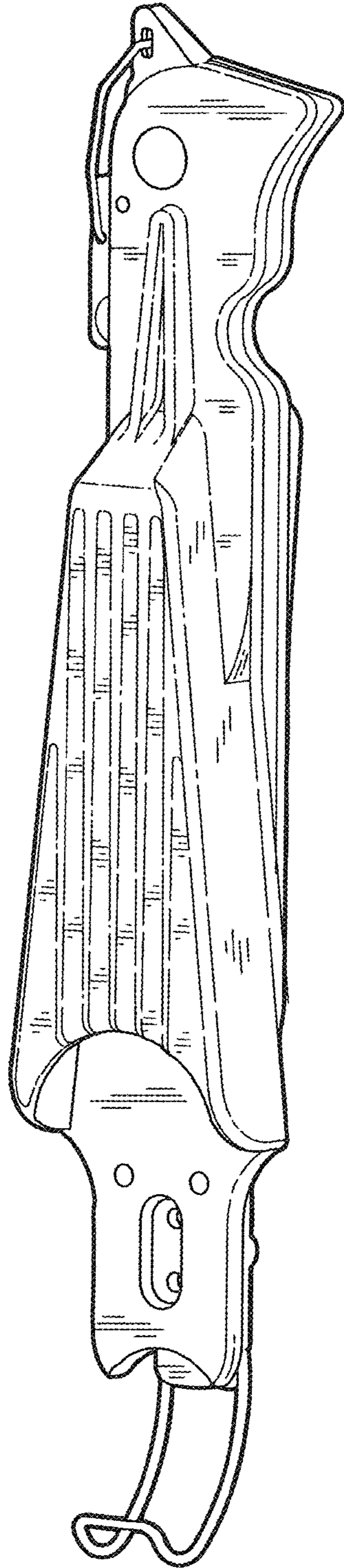


Fig. 6

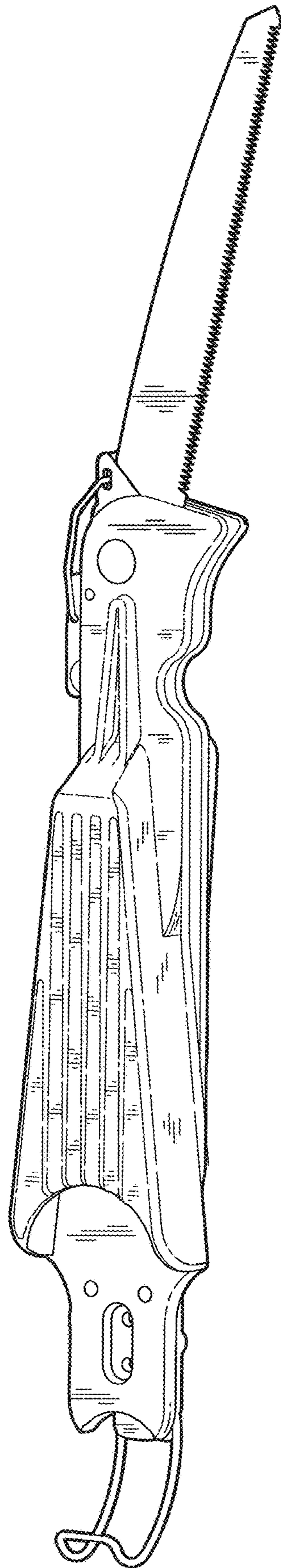


Fig. 7

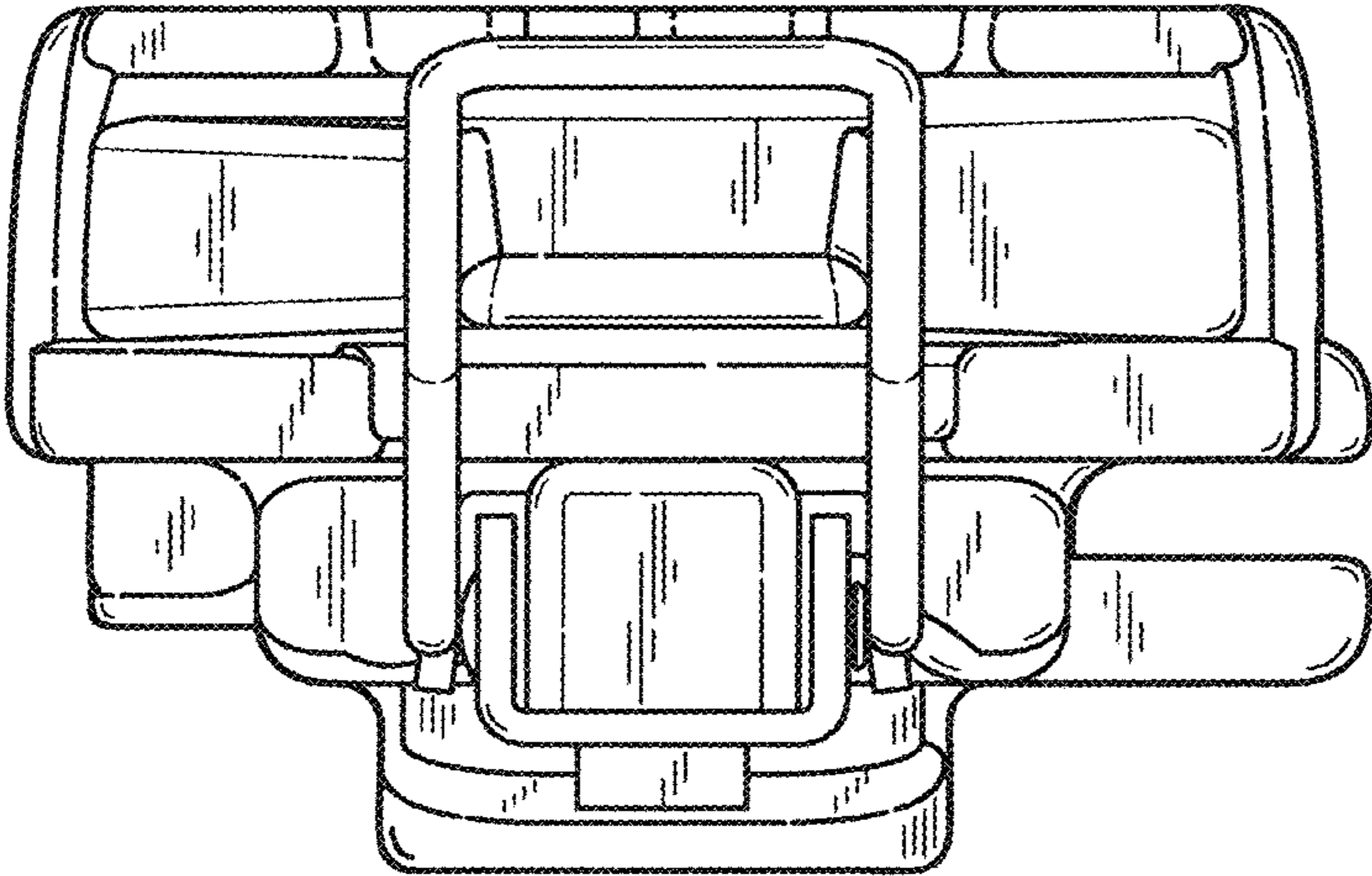


Fig. 8

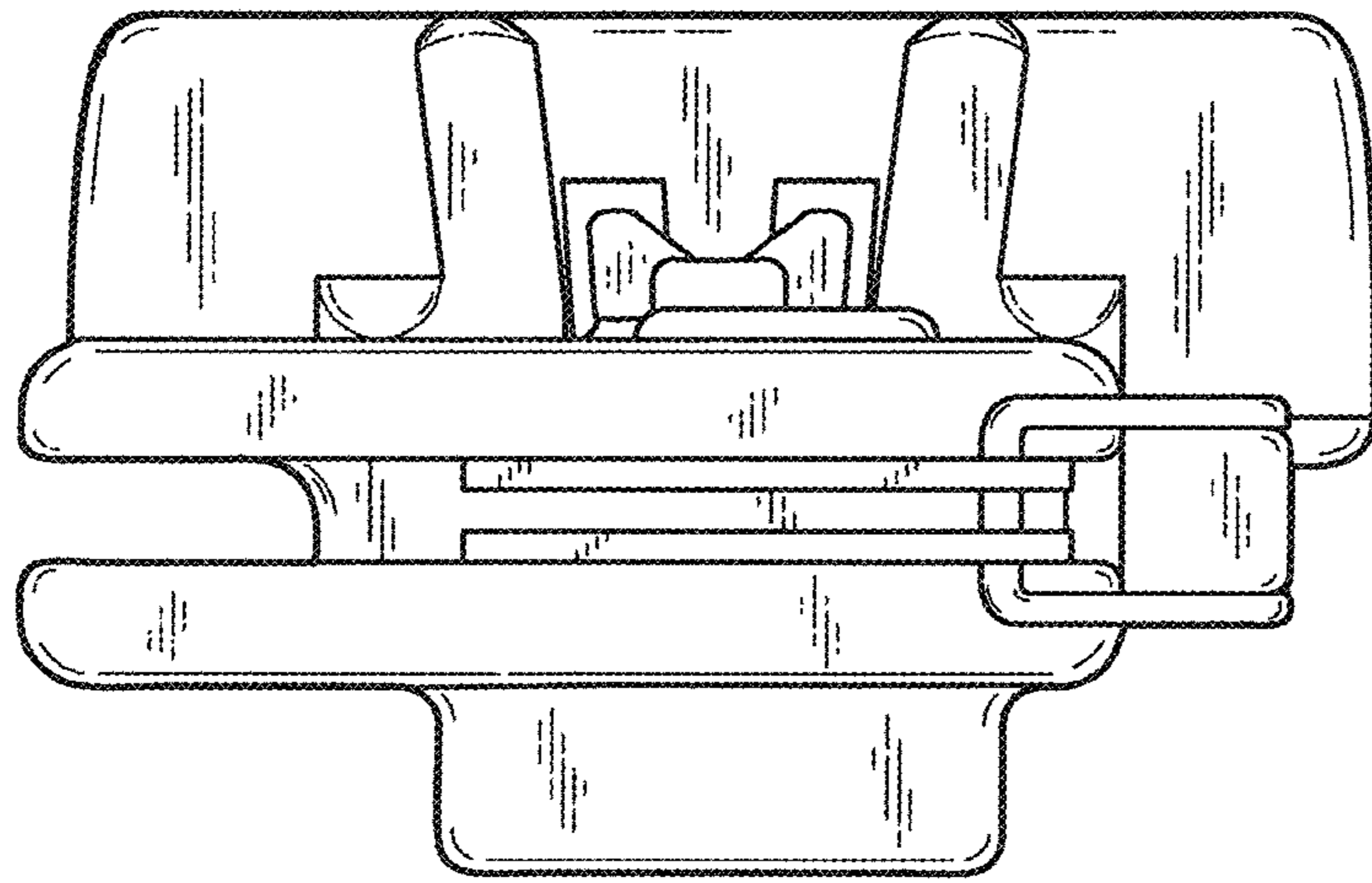


Fig. 9