



US00D908455S

(12) **United States Design Patent**
Cate et al.

(10) **Patent No.:** **US D908,455 S**

(45) **Date of Patent:** **** Jan. 26, 2021**

(54) **HAMMER HEAD WITH NAIL PULLER**

(71) Applicant: **Stanley Black & Decker, Inc.**, New Britain, CT (US)

(72) Inventors: **Christopher Cate**, Hamden, CT (US);
Thomas A. Pelletier, Wallingford, CT (US);
Aliaksei Chernyshou, Farmington, CT (US)

(73) Assignee: **Stanley Black & Decker, Inc.**, New Britain, CT (US)

(**) Term: **15 Years**

(21) Appl. No.: **29/675,049**

(22) Filed: **Dec. 28, 2018**

(51) **LOC (13) Cl.** **08-02**

(52) **U.S. Cl.**
USPC **D8/78**

(58) **Field of Classification Search**
USPC D8/14, 75, 76, 77, 78, 79, 81
CPC ... B25D 1/00; B25D 1/02; B25D 1/04; B25D 1/045; B25D 1/06; B25D 1/10; B25D 1/12; B25G 1/102
See application file for complete search history.

(56) **References Cited**

U.S. PATENT DOCUMENTS

D468,181	S *	1/2003	Hung	D8/78
D470,380	S *	2/2003	Huang	D8/75
D519,348	S *	4/2006	Chen	D8/75
7,066,052	B2 *	6/2006	Chen	B25D 1/12
					81/20
7,874,231	B2 *	1/2011	Hanlon	B25D 1/12
					81/22

D653,925	S *	2/2012	Hung	D8/78
8,387,486	B2 *	3/2013	Hanlon	B25D 1/12
					81/22
8,770,548	B2 *	7/2014	Hanlon	B25D 1/06
					254/26 R
D747,943	S *	1/2016	Hung	D8/75
D752,938	S *	4/2016	West	D8/78
D770,254	S *	11/2016	Honadel	D8/75
D770,255	S *	11/2016	Honadel	D8/75
D770,875	S *	11/2016	Honadel	D8/75
D777,549	S *	1/2017	Hung	D8/78
D795,667	S *	8/2017	Chen	D8/79
D835,489	S *	12/2018	Stokes	D8/81
D855,432	S *	8/2019	Zhang	D8/75
D858,243	S *	9/2019	Honadel	D8/81
D867,090	S *	11/2019	Hyma	D8/75

* cited by examiner

Primary Examiner — Philip S Hyder

(74) *Attorney, Agent, or Firm* — Gabriel A. Haboubi

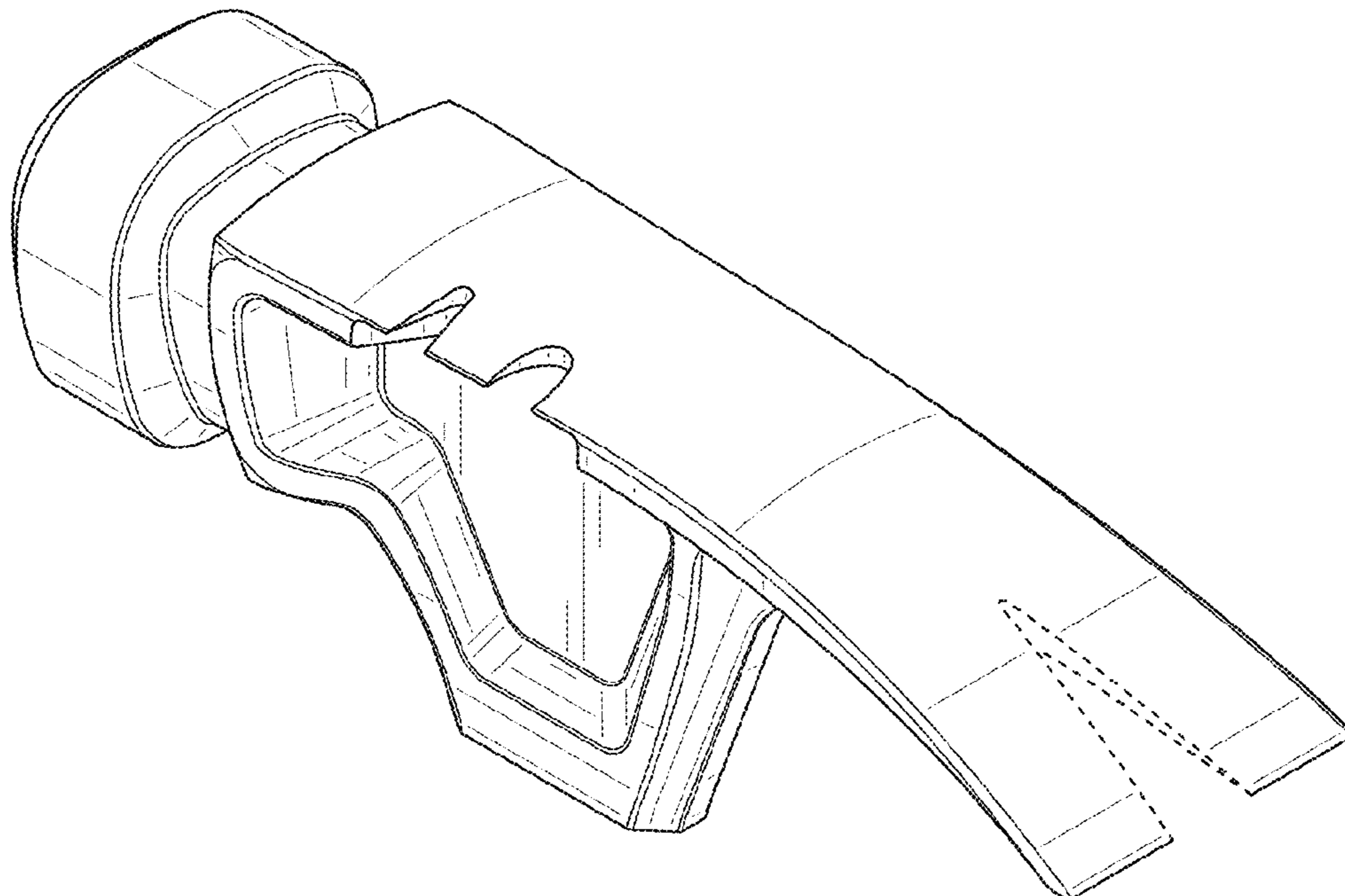
(57) **CLAIM**

The ornamental design for a hammer head with nail puller, as shown and described.

DESCRIPTION

FIG. 1 is a top perspective view of our new design.
FIG. 2 is a right side view thereof.
FIG. 3 is a top view thereof.
FIG. 4 is a bottom view thereof.
FIG. 5 is a front view thereof.
FIG. 6 is a rear view thereof.
FIG. 7 is a left side view thereof; and,
FIG. 8 is a bottom perspective view thereof.
The broken lines depict portions of the hammer head with nail puller in which the design is embodied that are not considered part of the claimed design.

1 Claim, 8 Drawing Sheets



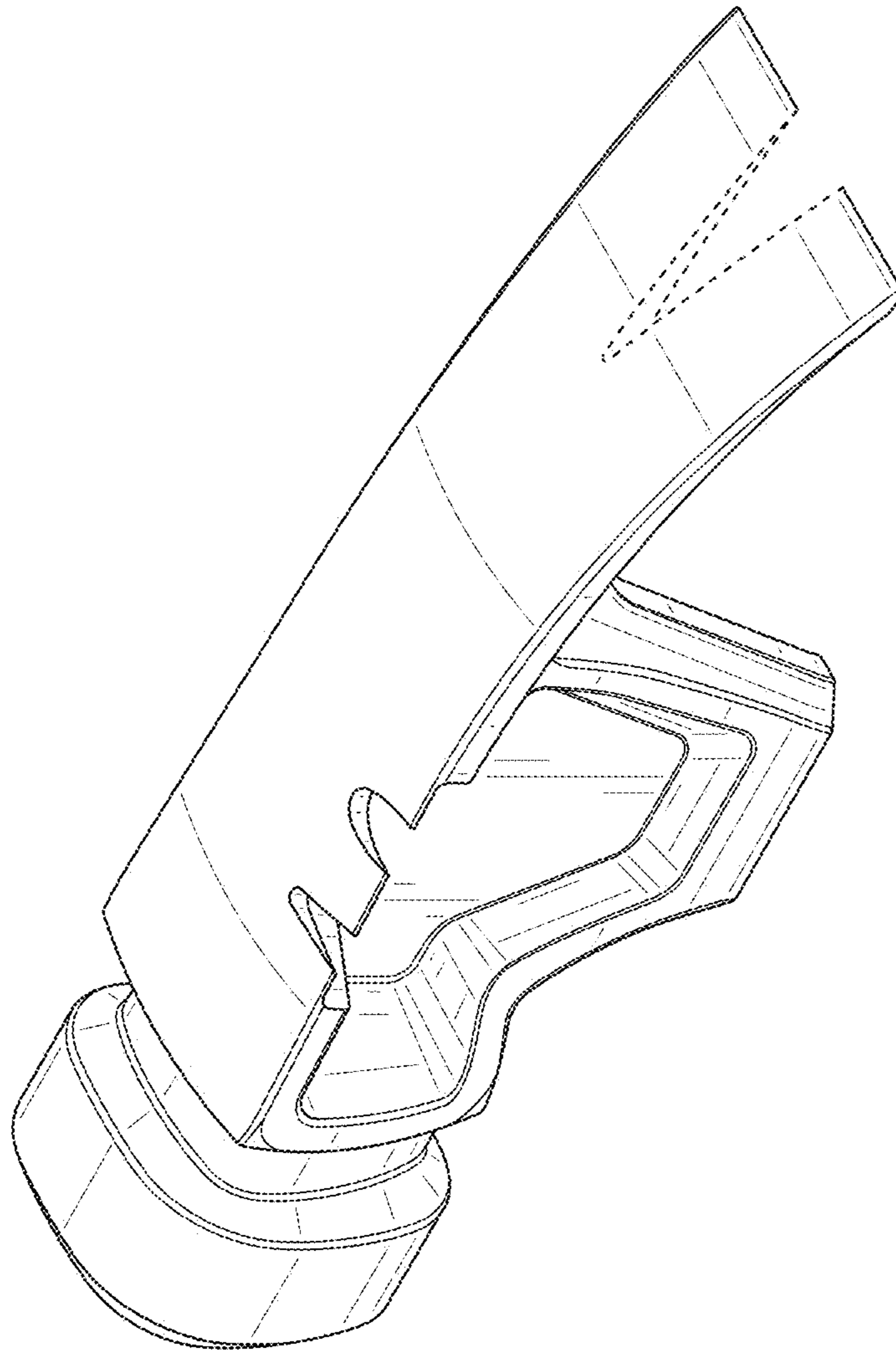


FIG. 1

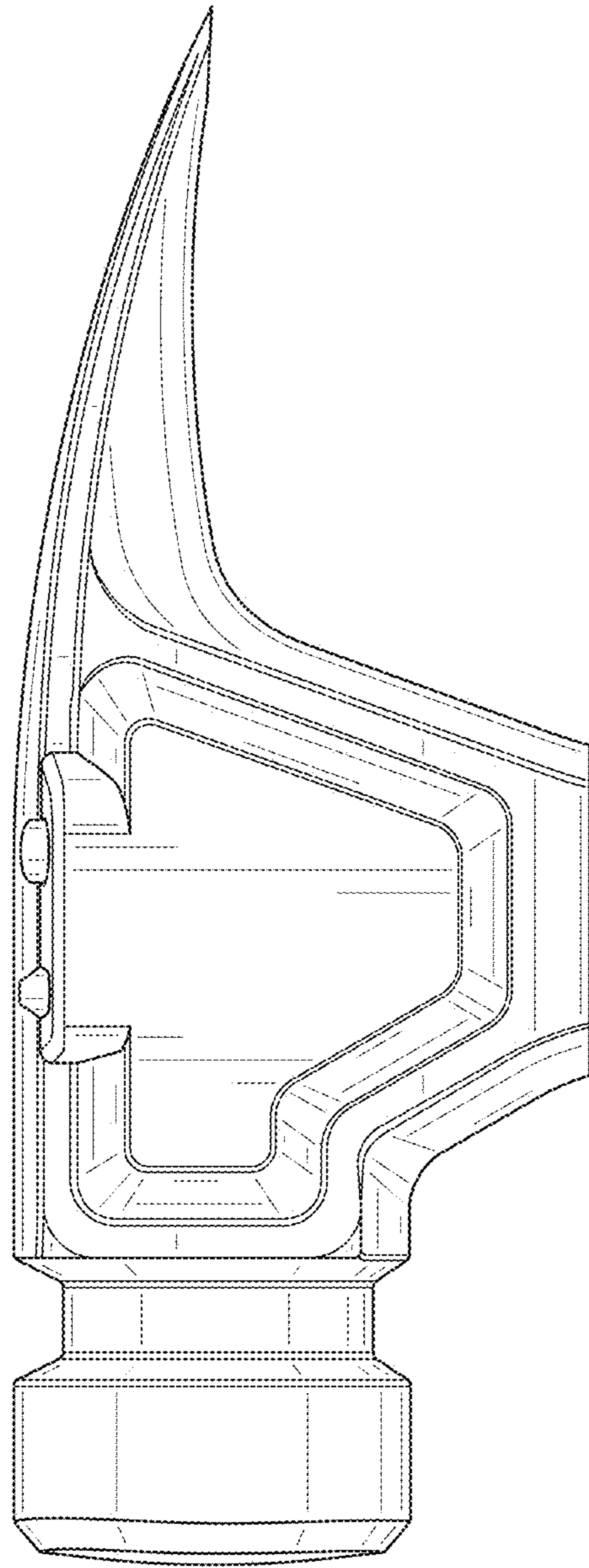


FIG. 2

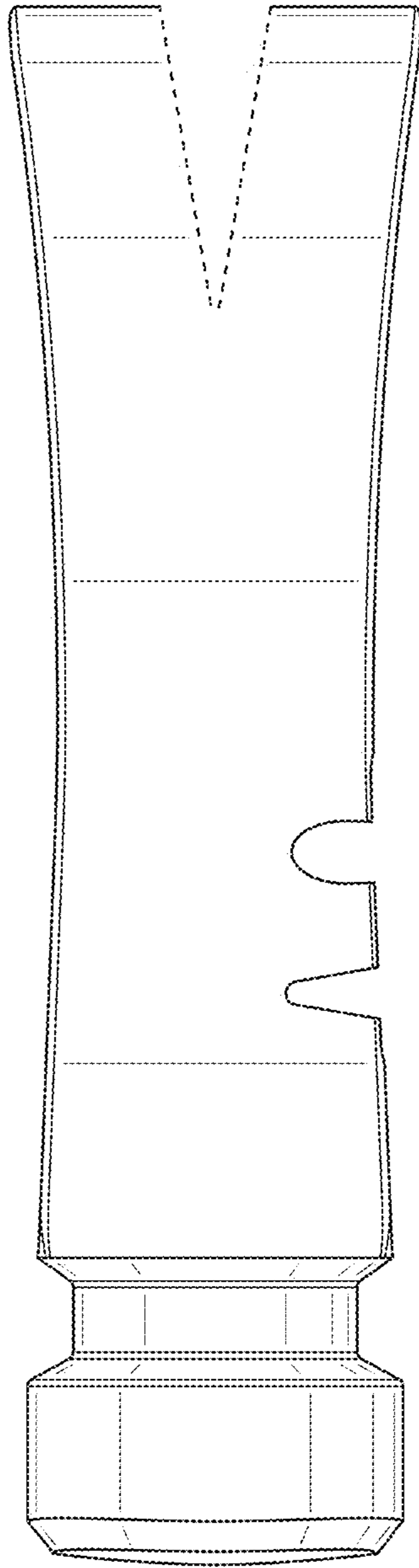


FIG. 3

D-US-TN-2018-0387
REPLACEMENT SHEET

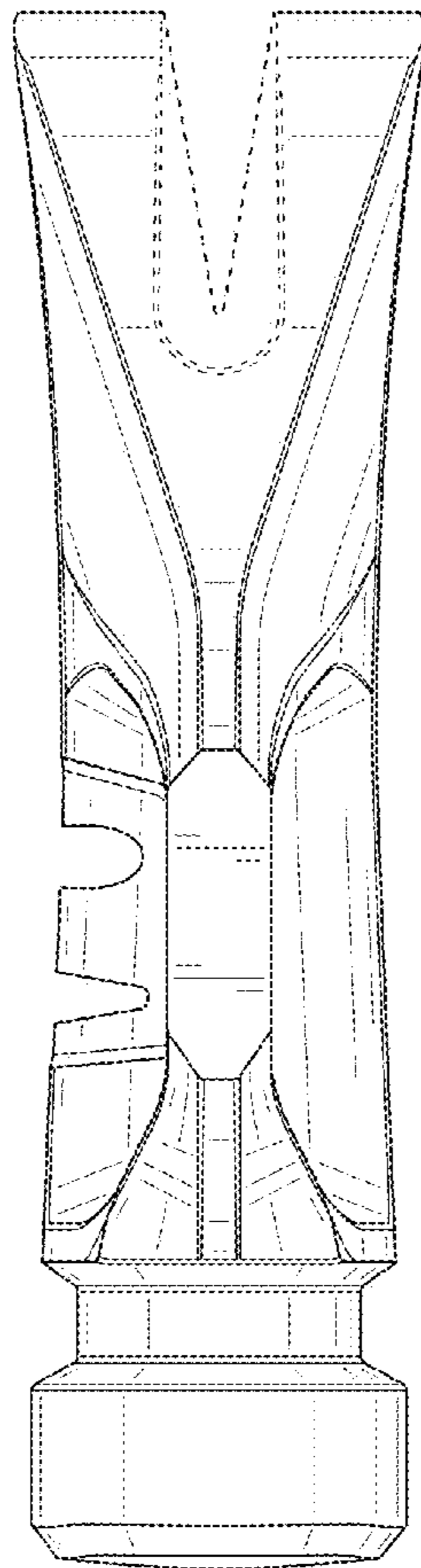


FIG. 4

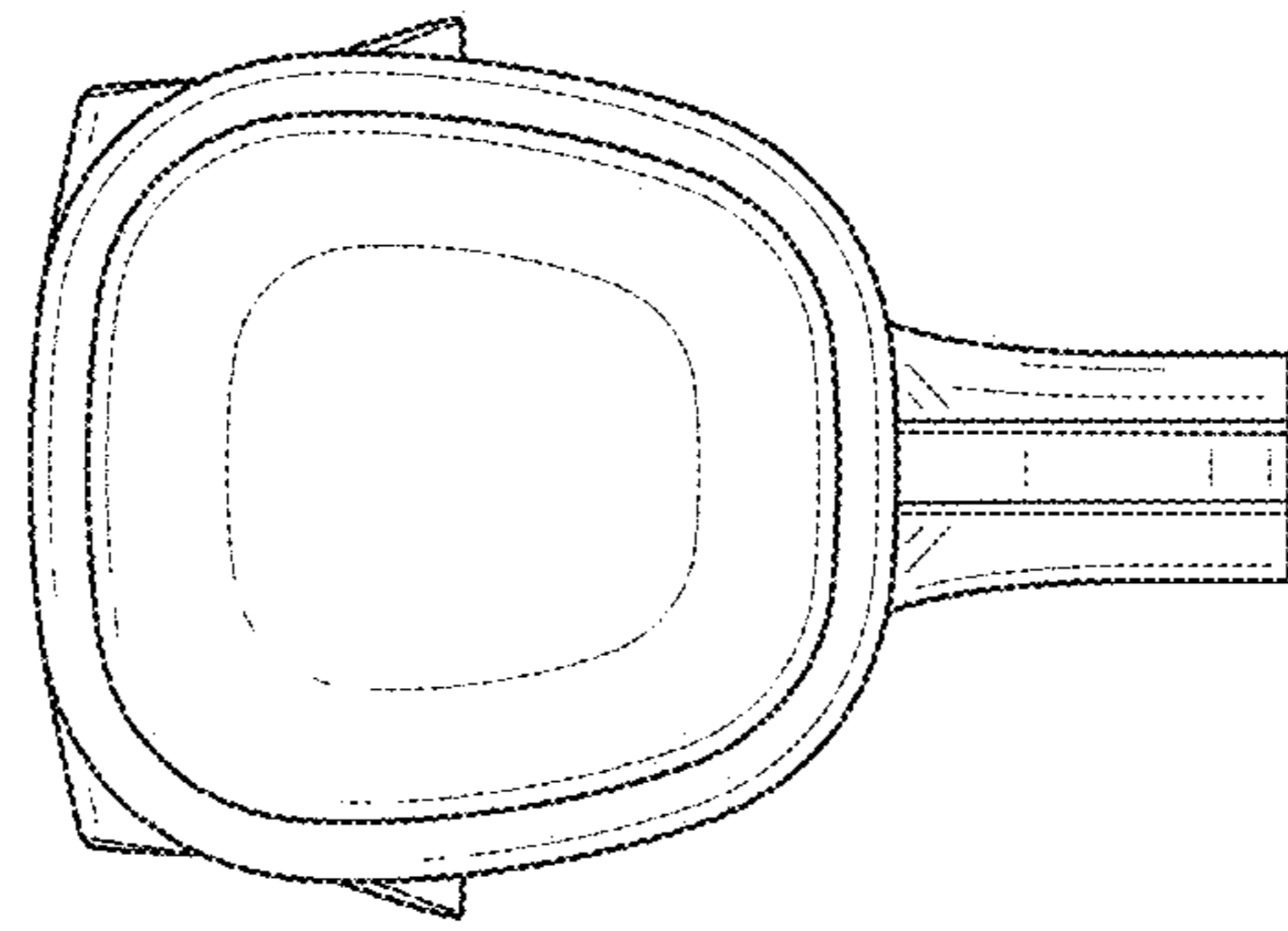


FIG. 5

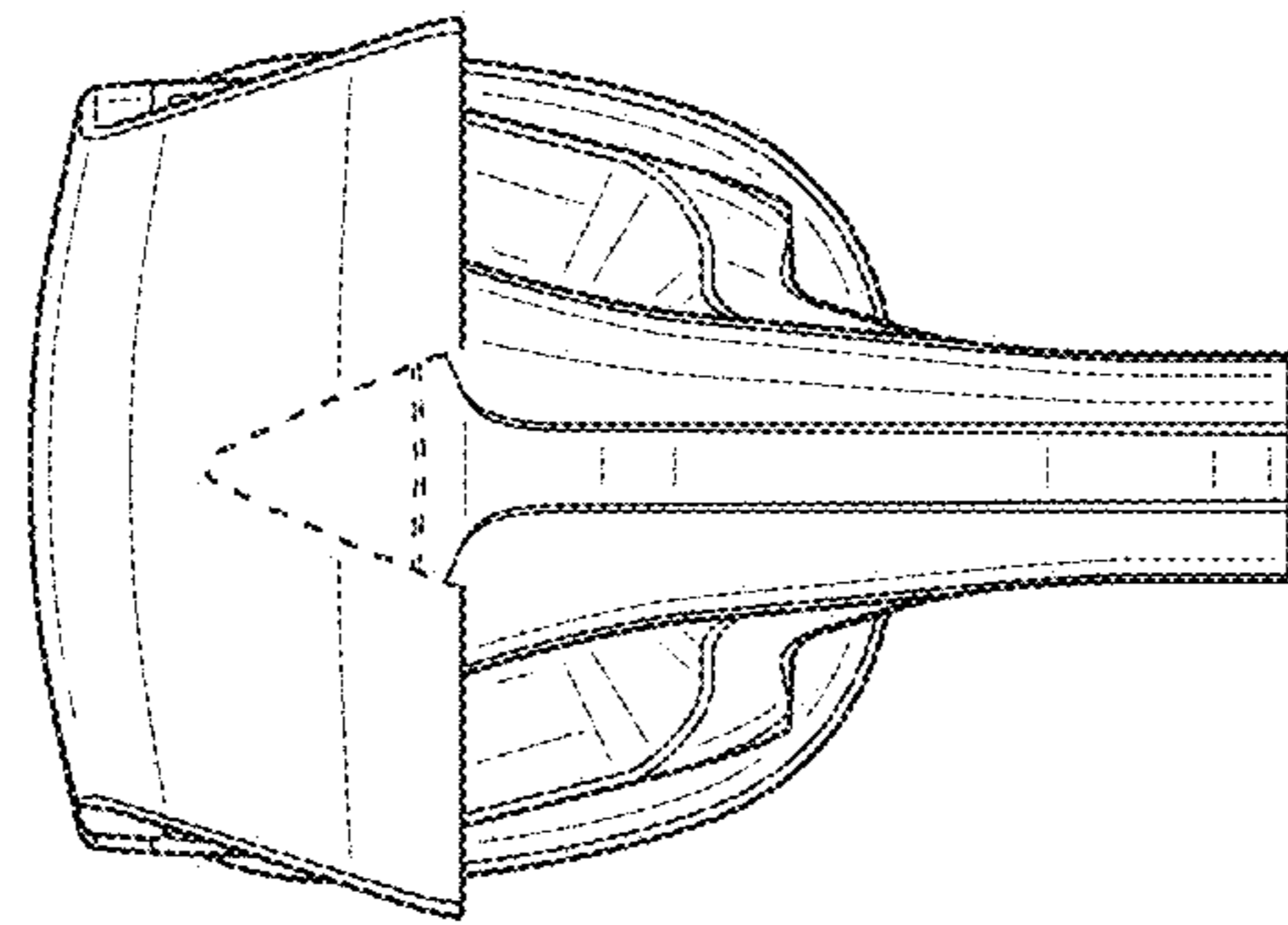


FIG. 6

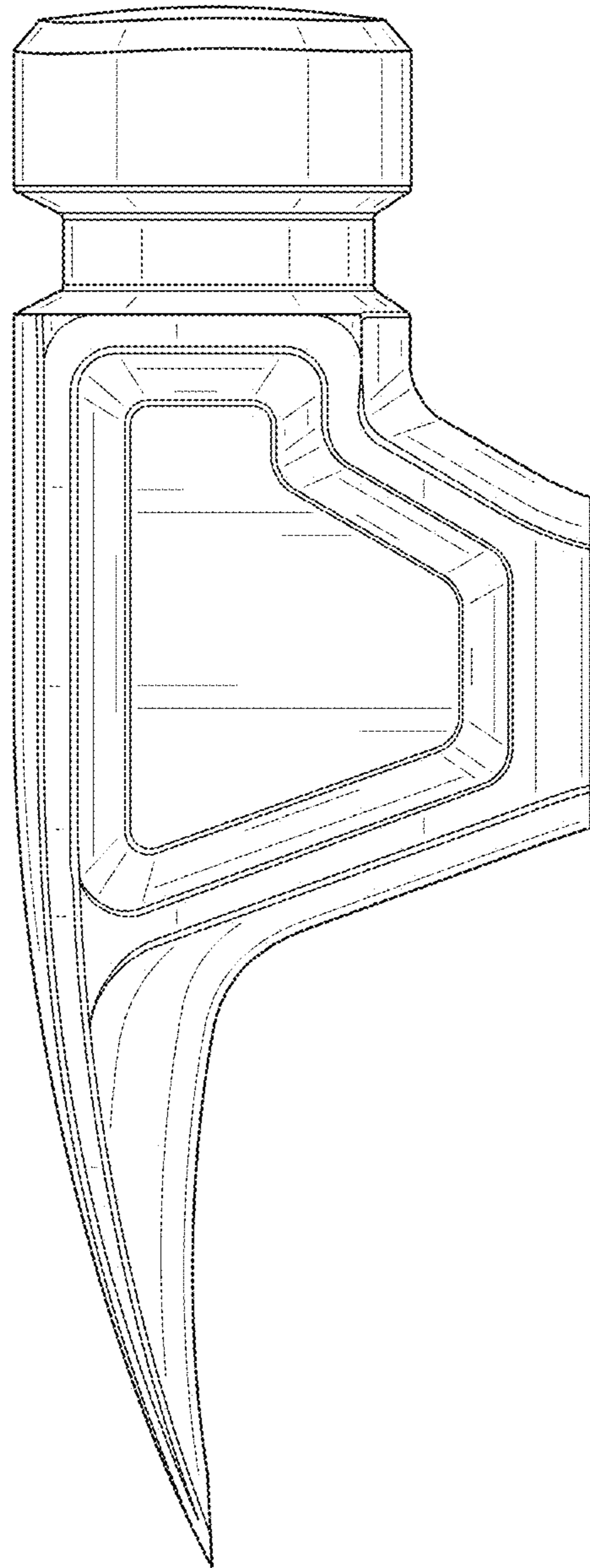


FIG. 7

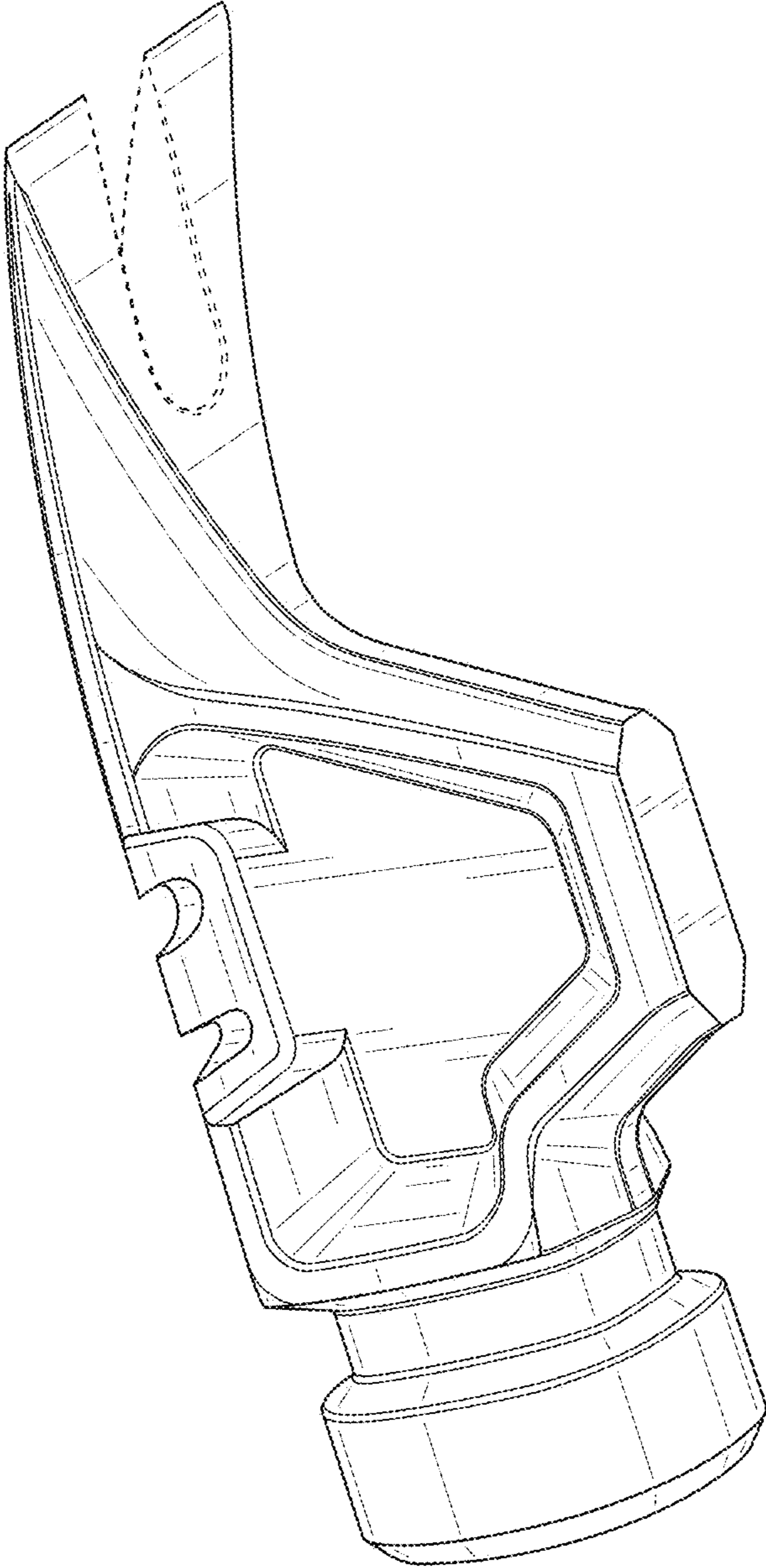


FIG. 8