



US00D908454S

(12) **United States Design Patent**
Youngblutt

(10) **Patent No.:** **US D908,454 S**

(45) **Date of Patent:** **** Jan. 26, 2021**

- (54) **ORBITAL SANDER**
- (71) Applicant: **VIS, LLC**, Travelers Rest, SC (US)
- (72) Inventor: **Sage Youngblutt**, Greenville, SC (US)
- (73) Assignee: **VIS, LLC**, Travelers Rest, SC (US)

(**) Term: **15 Years**

(21) Appl. No.: **29/704,274**

(22) Filed: **Sep. 3, 2019**

(51) **LOC (13) Cl.** **08-03**

(52) **U.S. Cl.**
USPC **D8/62**

(58) **Field of Classification Search**
 USPC D8/69, 68, 67, 66, 64, 61, 70; 83/698.41,
 83/747, 166.3, 374, 373, 375, 376, 391,
 83/377, 390, 388, 389; 125/13.01;
 144/218; D21/532
 CPC B24B 23/028; B24B 47/12; B24B 7/186;
 B25F 5/001; B25F 5/02
 See application file for complete search history.

(56) **References Cited**

U.S. PATENT DOCUMENTS

- D324,803 S * 3/1992 Butzen D8/62
- D326,398 S * 5/1992 Fushiya D8/62
- D334,126 S * 3/1993 Huber D8/62
- D347,561 S * 6/1994 Huber D8/62
- D350,266 S * 9/1994 Huber D8/62

- D350,886 S * 9/1994 Huber D8/62
- D353,984 S * 1/1995 Izumisawa D8/62
- D356,017 S * 3/1995 Izumisawa D8/62
- D378,728 S * 4/1997 Seith D8/62
- D679,159 S * 4/2013 Waldron D8/62
- D883,763 S * 5/2020 Valentini D8/62

* cited by examiner

Primary Examiner — Austin Murphy

(74) *Attorney, Agent, or Firm* — J. Bennett Mullinax, LLC

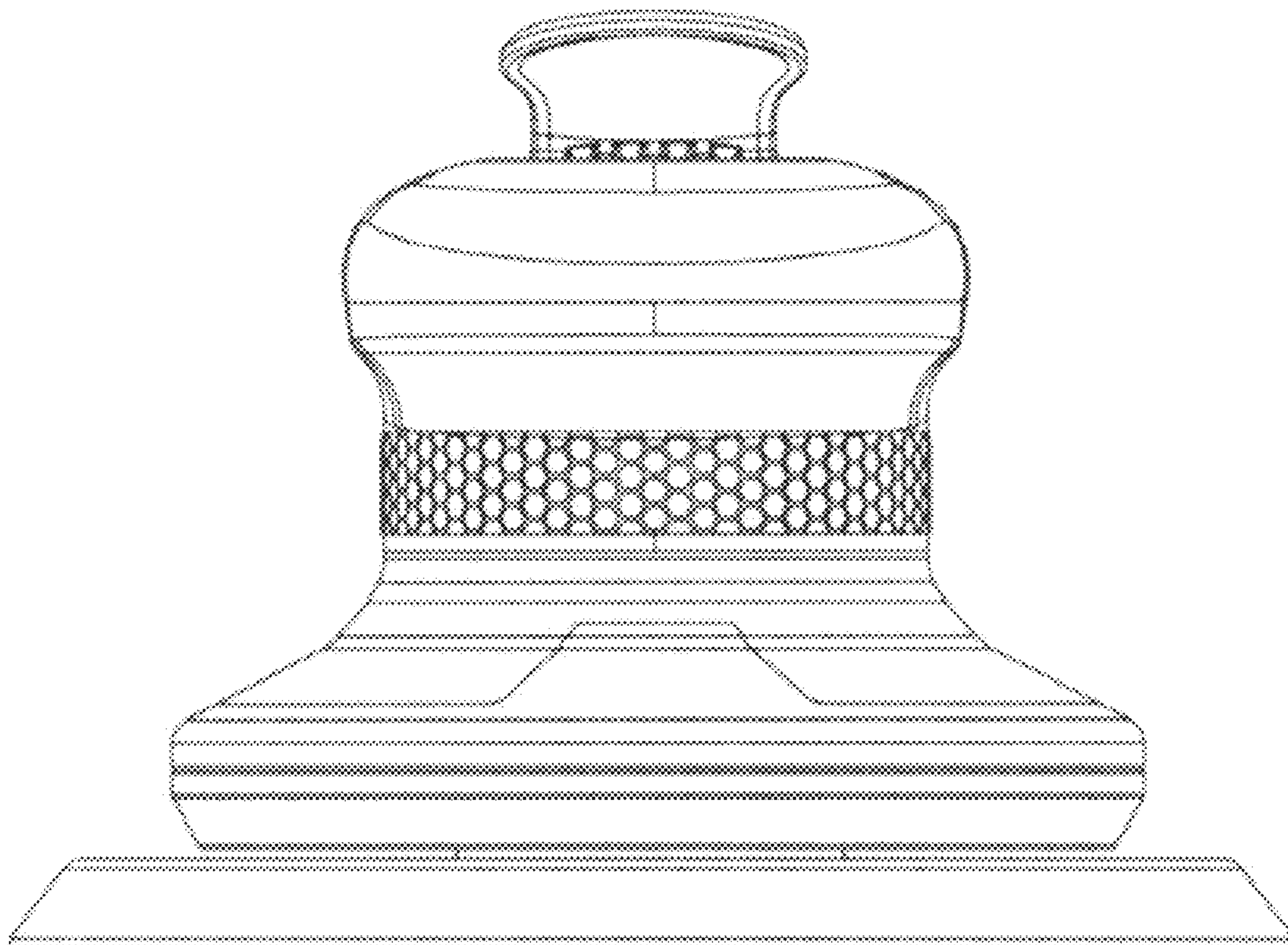
(57) **CLAIM**

The ornamental design for a orbital sander, as shown and described.

DESCRIPTION

FIG. 1 is a front perspective view of the orbital sander as shown in FIG. 1;
 FIG. 2 is a front view of the orbital sander as shown in FIG. 1;
 FIG. 3 is a rear view of the orbital sander as shown in FIG. 1;
 FIG. 4 is a right side view of the orbital sander as shown in FIG. 1;
 FIG. 5 is a left side view of the orbital sander as shown in FIG. 1;
 FIG. 6 is a top view of the orbital sander as shown in FIG. 1; and,
 FIG. 7 is a bottom view of the orbital sander as shown in FIG. 1.

1 Claim, 5 Drawing Sheets



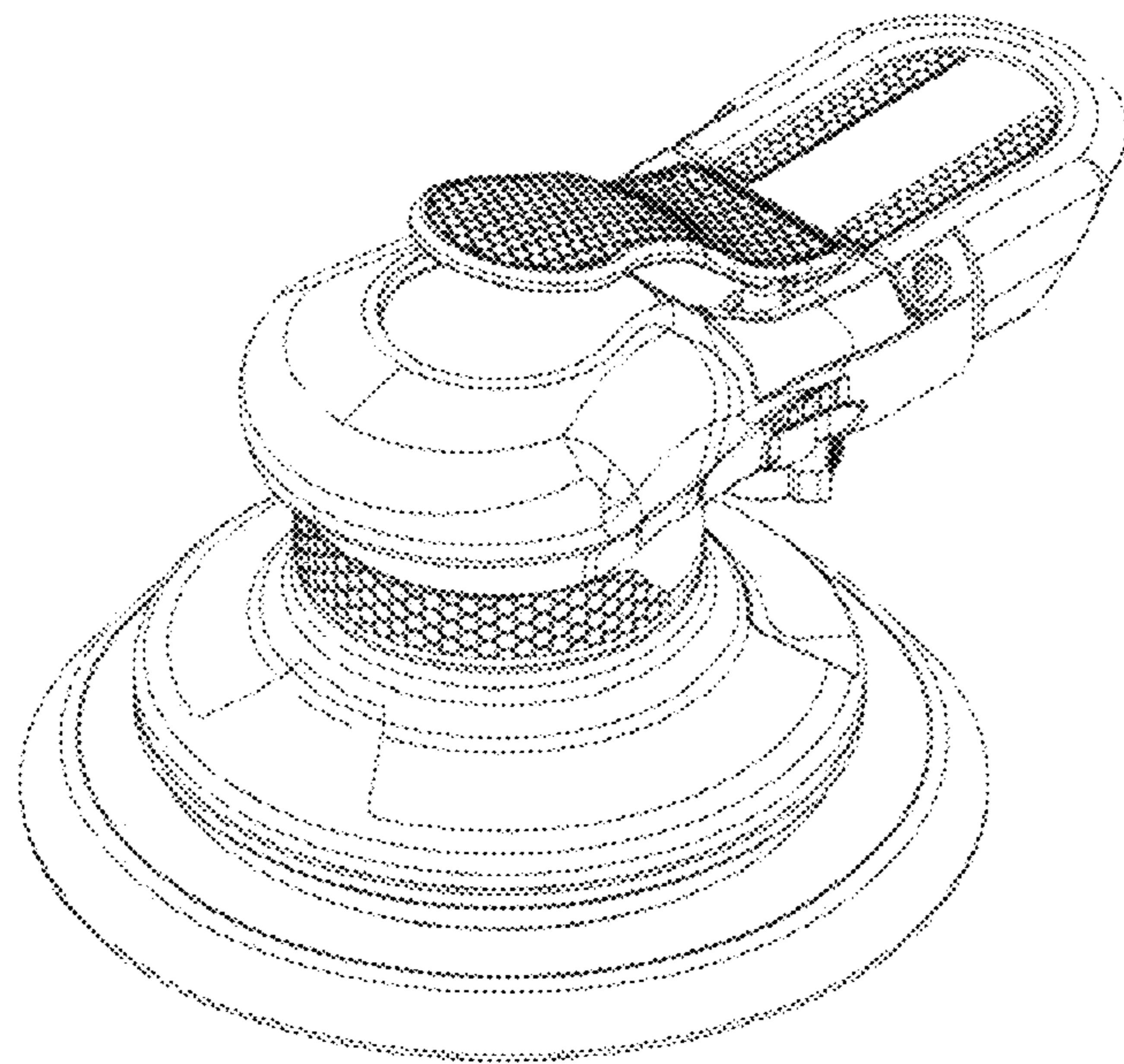


FIGURE 1

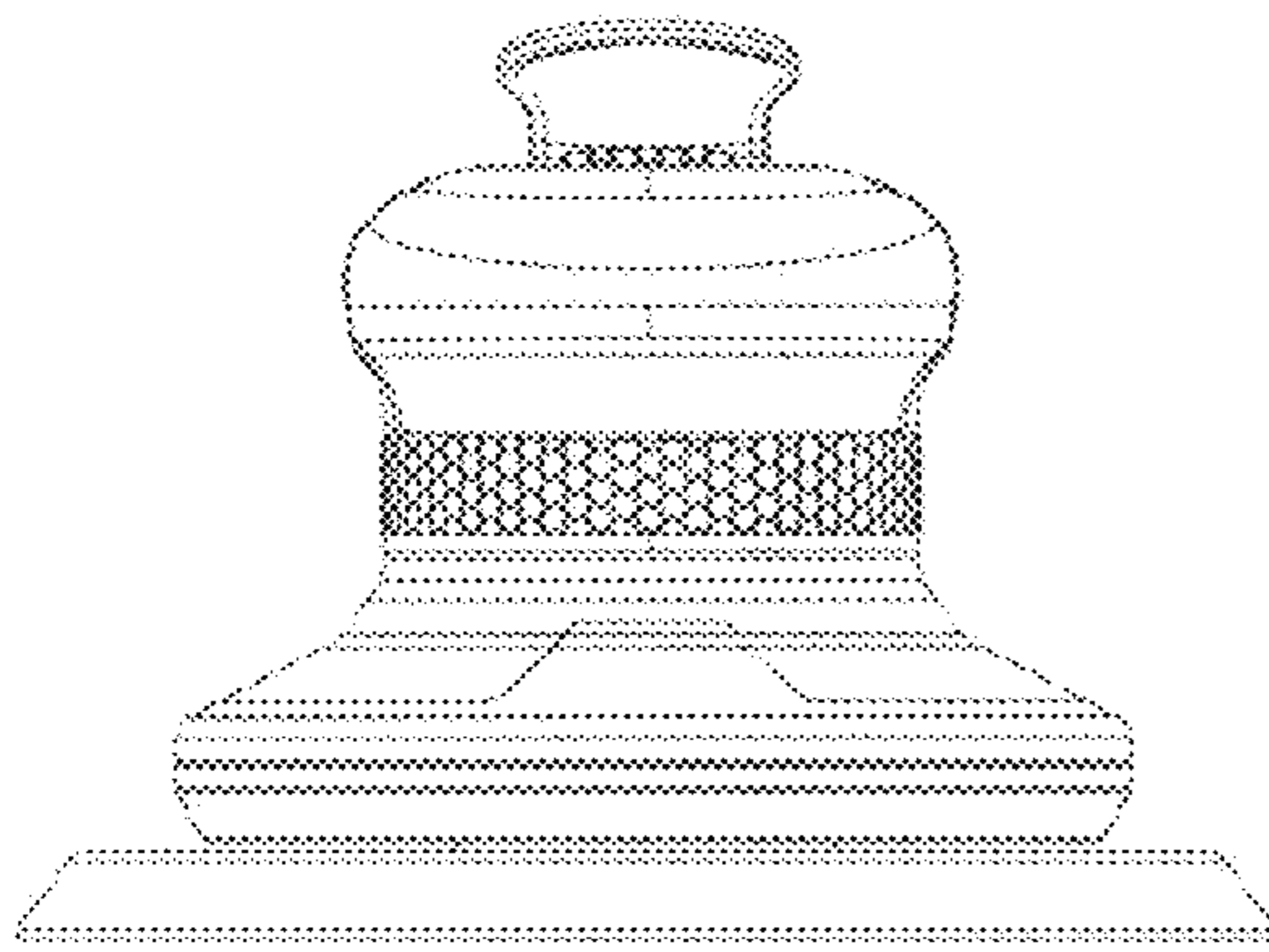


FIGURE 2

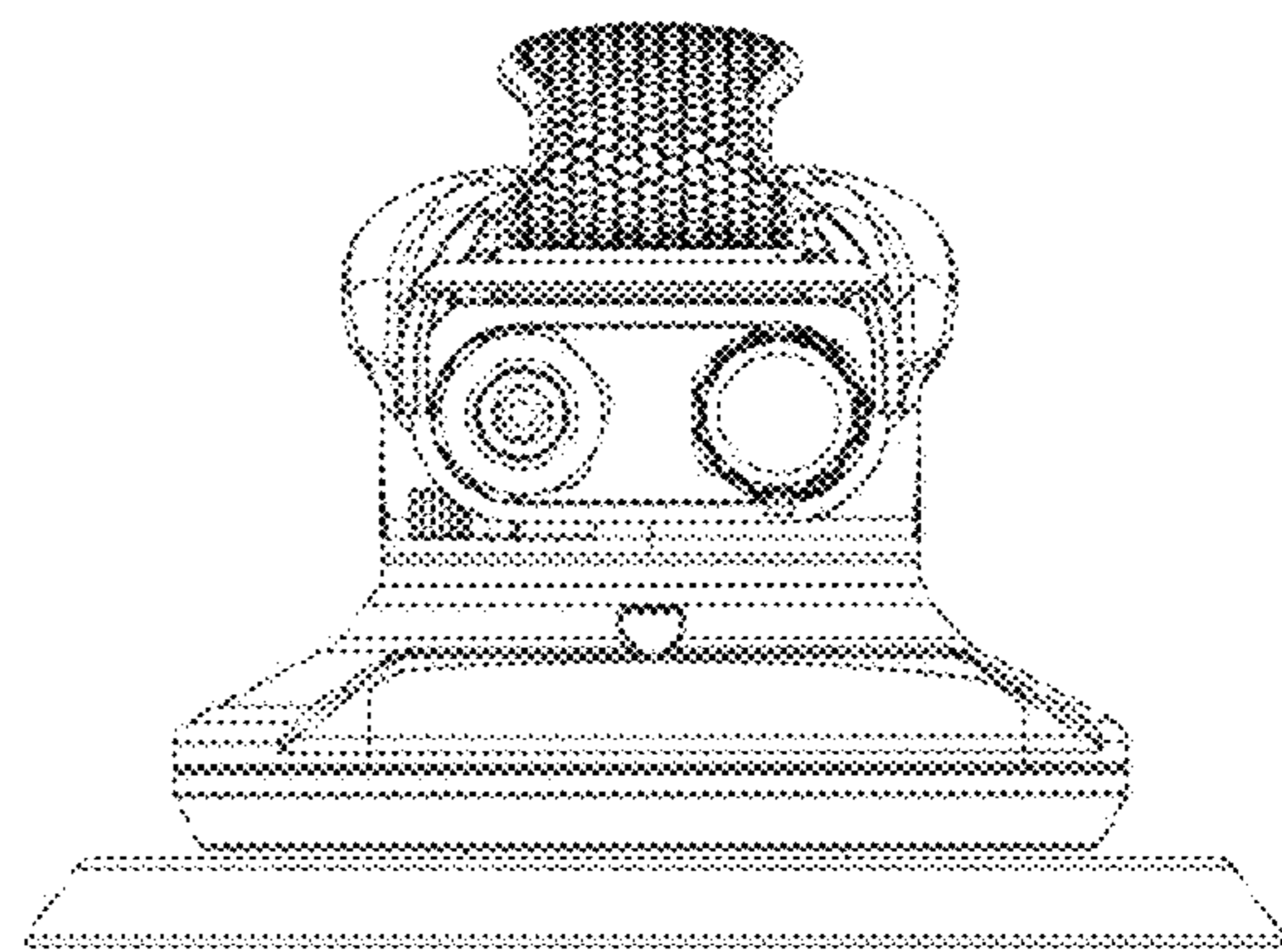


FIGURE 3

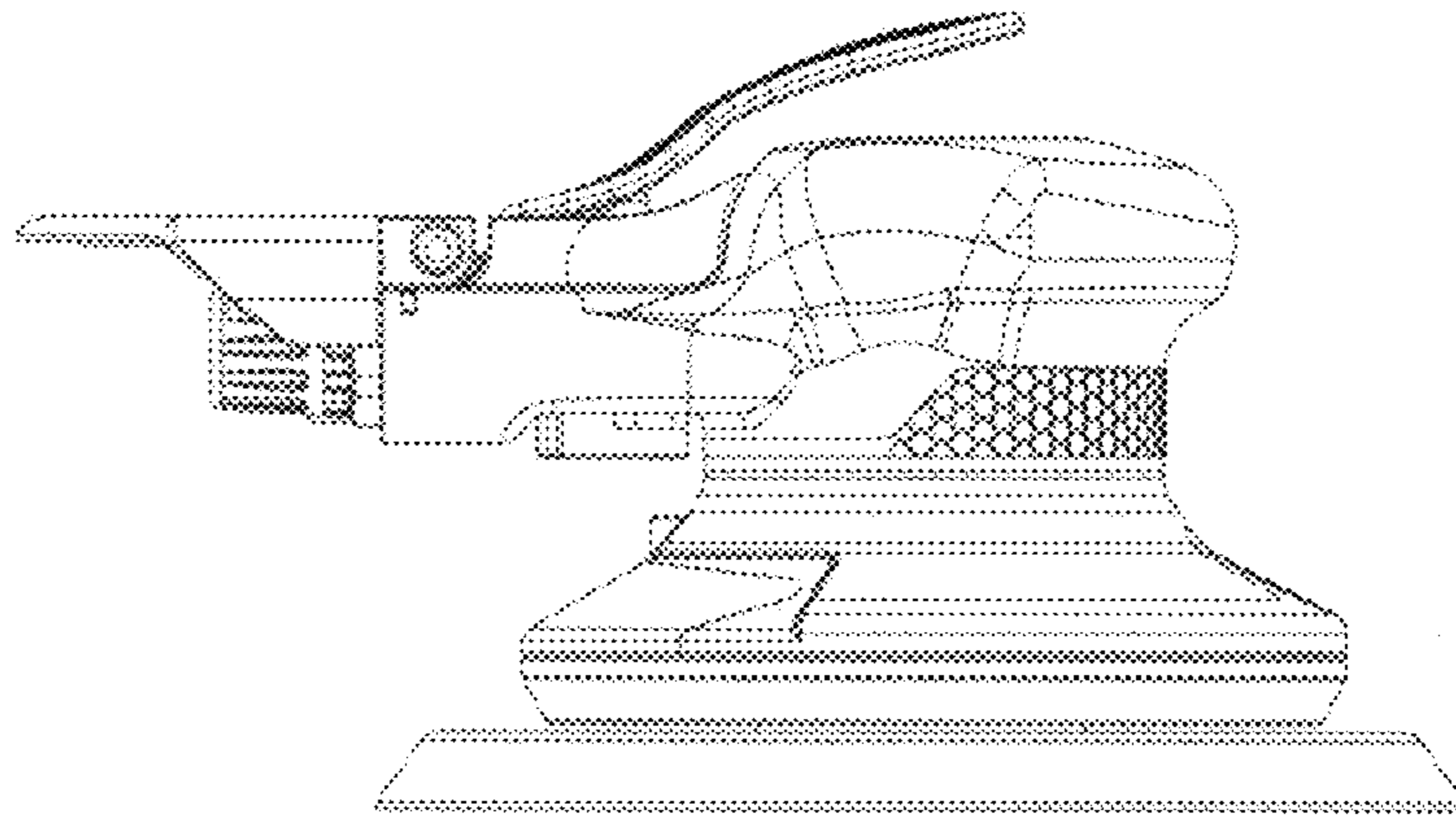


FIGURE 4

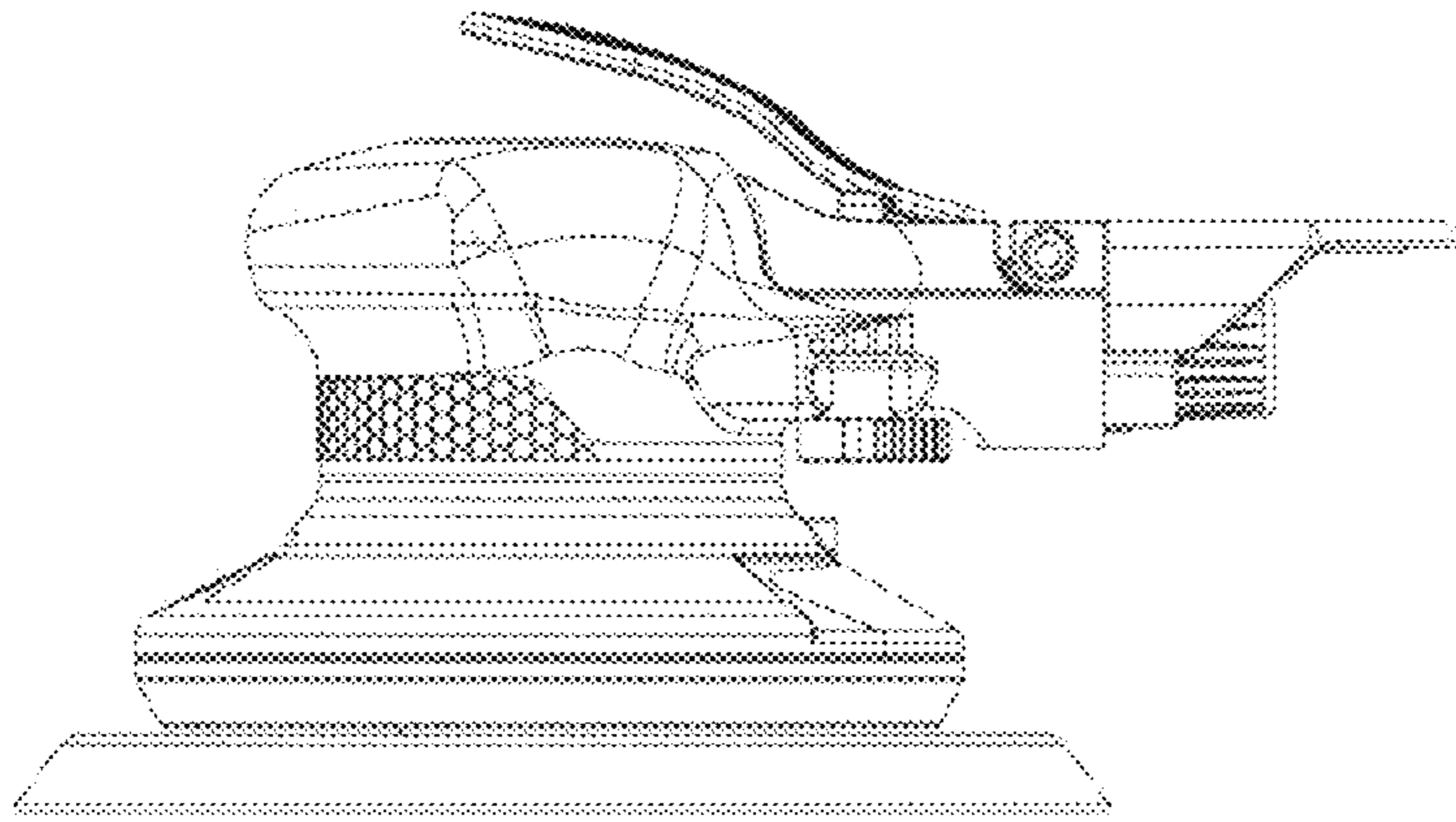


FIGURE 5

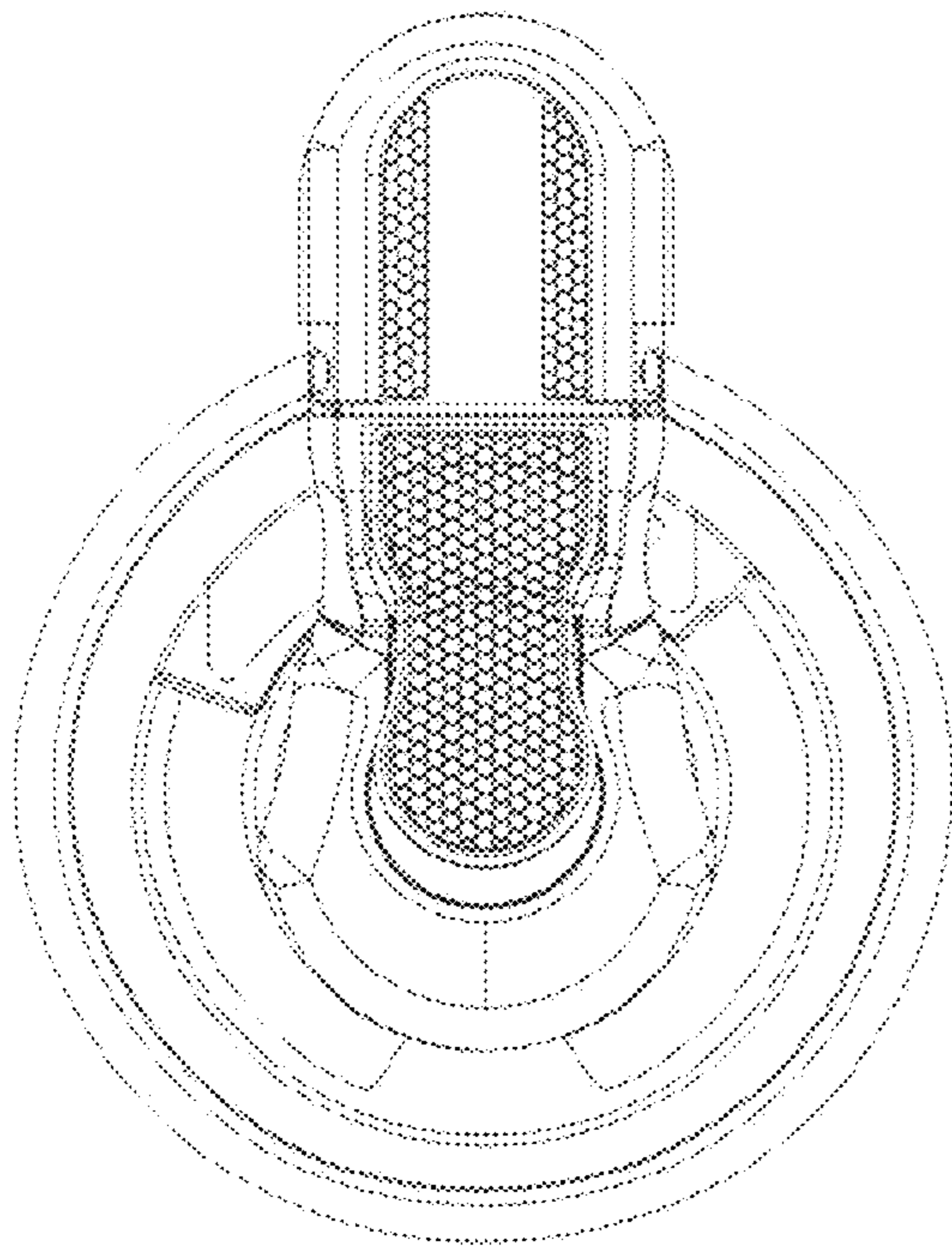


FIGURE 6

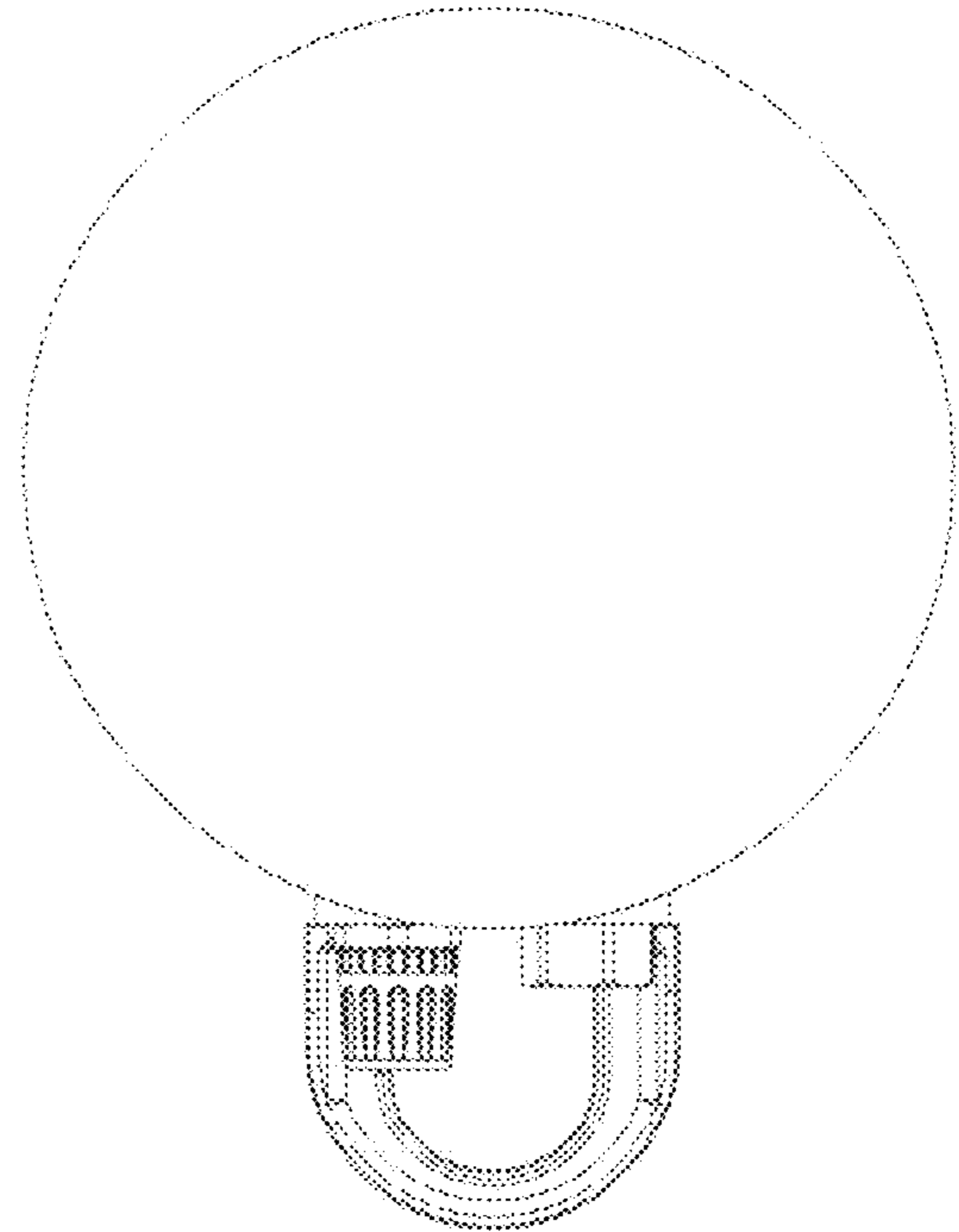


FIGURE 7