



US00D908452S

(12) **United States Design Patent**
Song

(10) **Patent No.:** **US D908,452 S**

(45) **Date of Patent:** **** Jan. 26, 2021**

(54) **WINE RACK**

(71) Applicant: **Xiaolian Song**, Shenzhen (CN)

(72) Inventor: **Xiaolian Song**, Shenzhen (CN)

(**) Term: **15 Years**

(21) Appl. No.: **29/739,104**

(22) Filed: **Jun. 23, 2020**

(51) **LOC (13) Cl.** **06-04**

(52) **U.S. Cl.**
USPC **D7/701**

(58) **Field of Classification Search**
USPC D7/701-708, 619.1-625; D6/552, 512,
D6/553, 546, 672, 562
CPC A47G 23/0208; A47J 47/16; A47J 47/20;
B32B 3/10; C12H 1/22; C12L 11/00;
A47B 73/006; A47B 73/00; A47B
73/002; A47B 73/004; A47B 47/0091;
A47F 5/0823; A47F 5/02; A47F 5/0846;
A47F 5/0815

See application file for complete search history.

(56) **References Cited**

U.S. PATENT DOCUMENTS

3,606,023 A * 9/1971 Edmunds A47B 73/006
211/74
D377,298 S * 1/1997 Campbell D7/708

D566,490 S * 4/2008 Frentzel D7/701
D592,468 S 5/2009 Goodman et al.
7,878,340 B1 * 2/2011 Olsen A47B 73/00
211/74
D789,163 S * 6/2017 Nemoto D7/701
2008/0251478 A1 * 10/2008 Jaskowski C12H 1/22
211/74
2009/0120886 A1 * 5/2009 Weiss A47B 73/006
211/74

* cited by examiner

Primary Examiner — Terry A Wallace

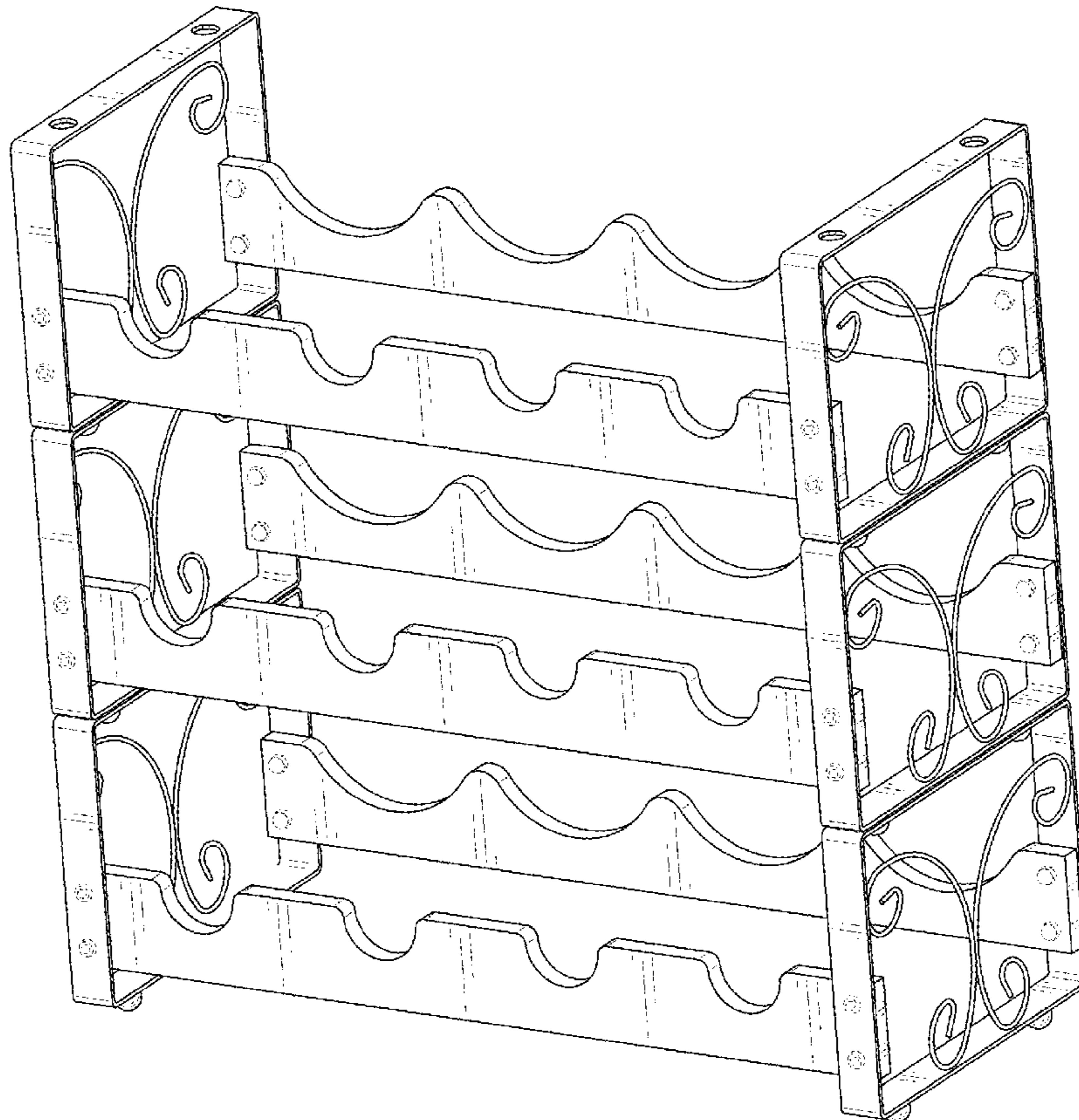
(57) **CLAIM**

The ornamental design for a wine rack, as shown and described.

DESCRIPTION

FIG. 1 is a perspective view of a wine rack showing my new design;
FIG. 2 is another perspective view thereof;
FIG. 3 is a front elevational view thereof;
FIG. 4 is a rear elevational view thereof;
FIG. 5 is a left side elevational view thereof;
FIG. 6 is a right side elevational view thereof;
FIG. 7 is a top plan view thereof;
FIG. 8 is a bottom plan view thereof; and,
FIG. 9 is an exploded perspective view of the wine rack.
The broken lines in the drawings depict portions of the wine rack that form no part of the claimed design.

1 Claim, 9 Drawing Sheets



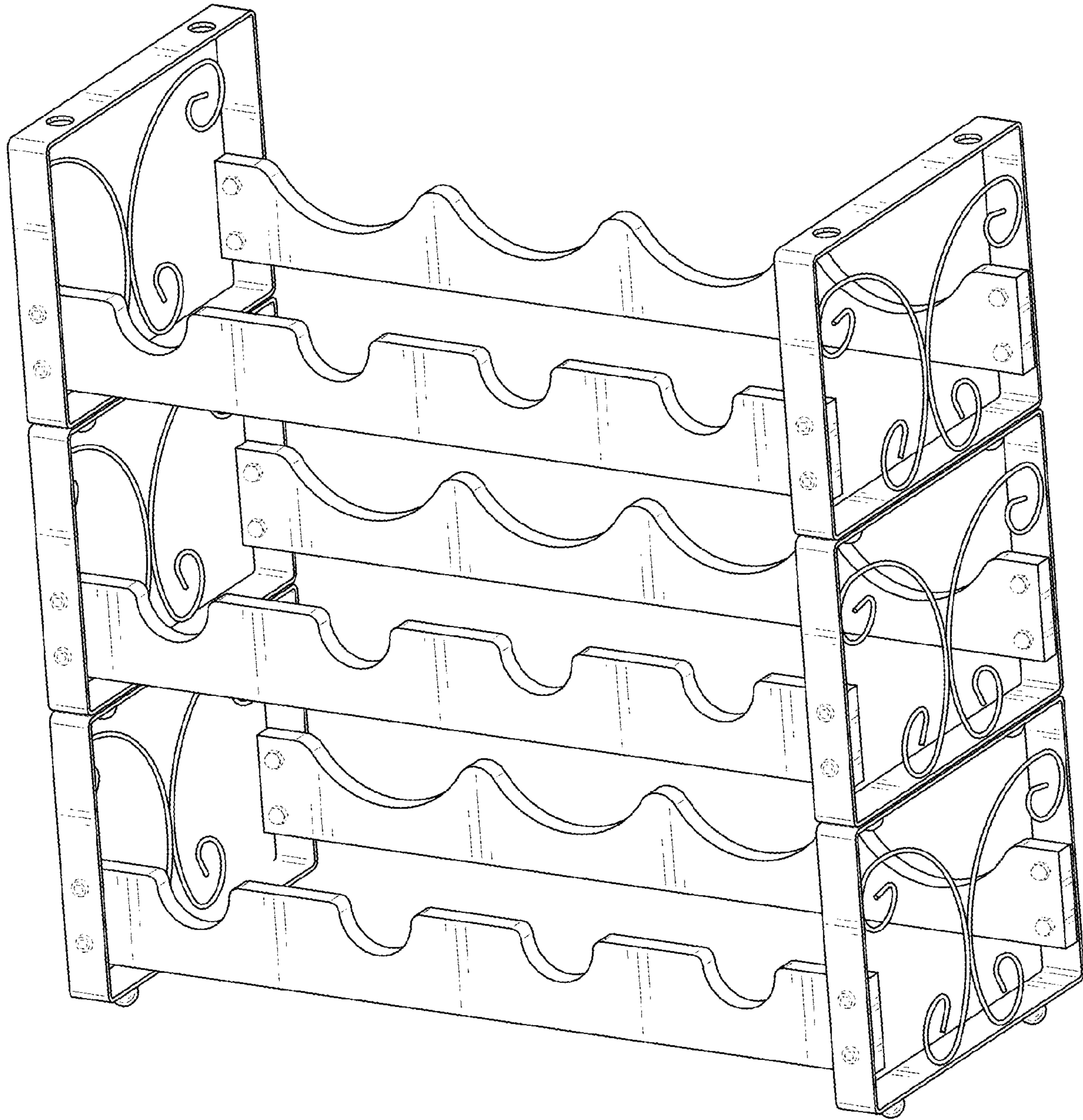


FIG. 1

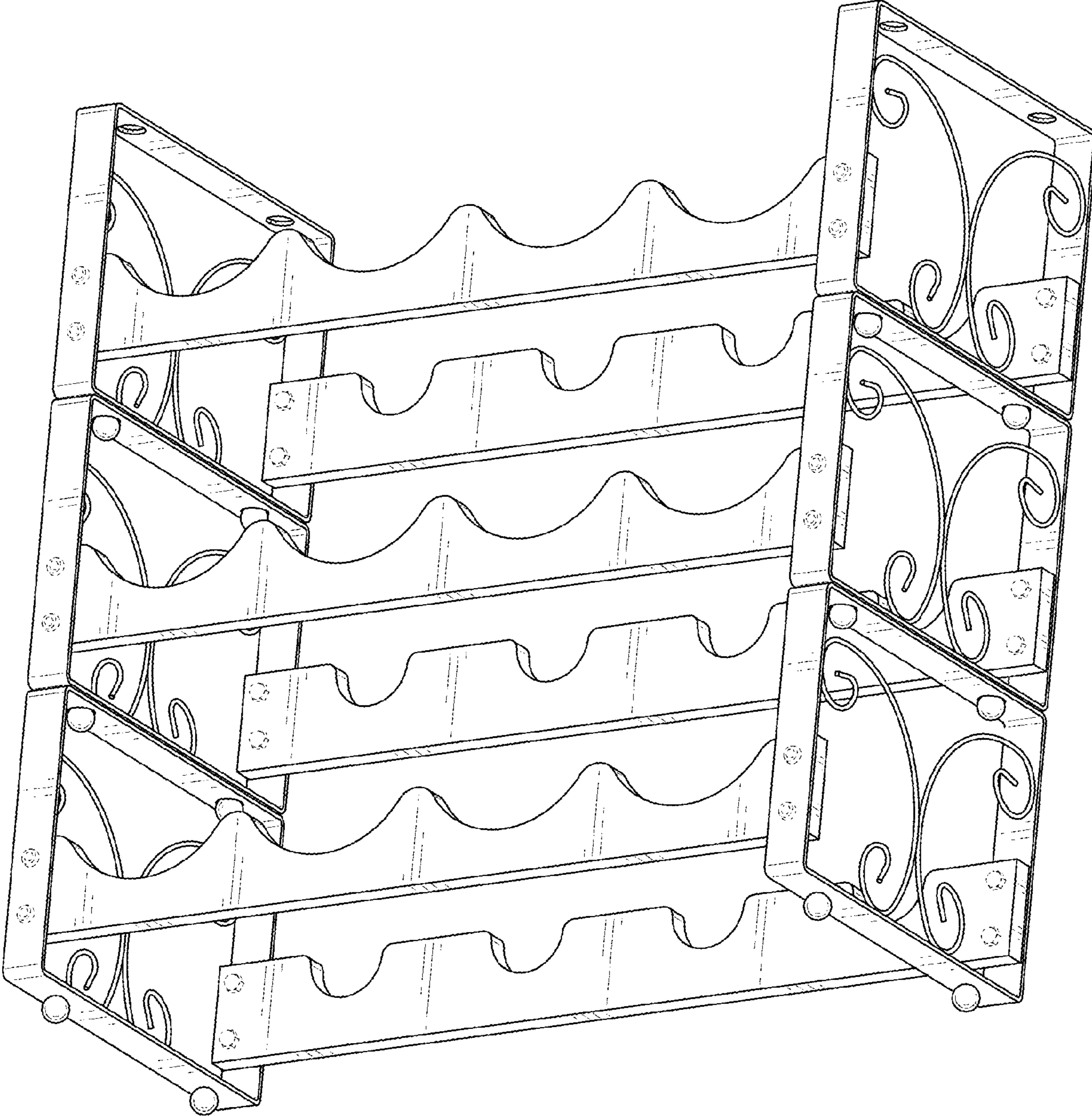


FIG. 2

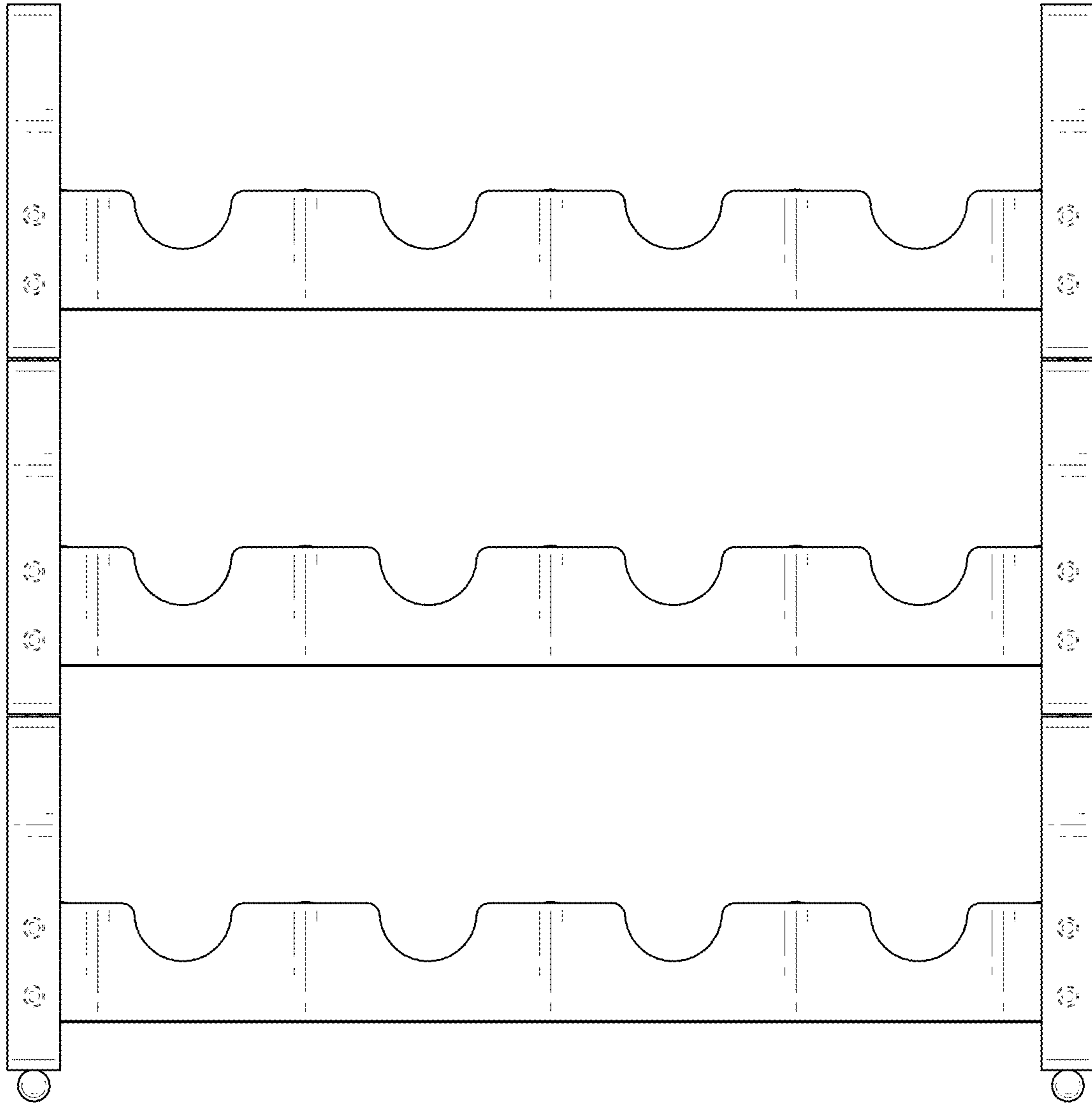


FIG. 3

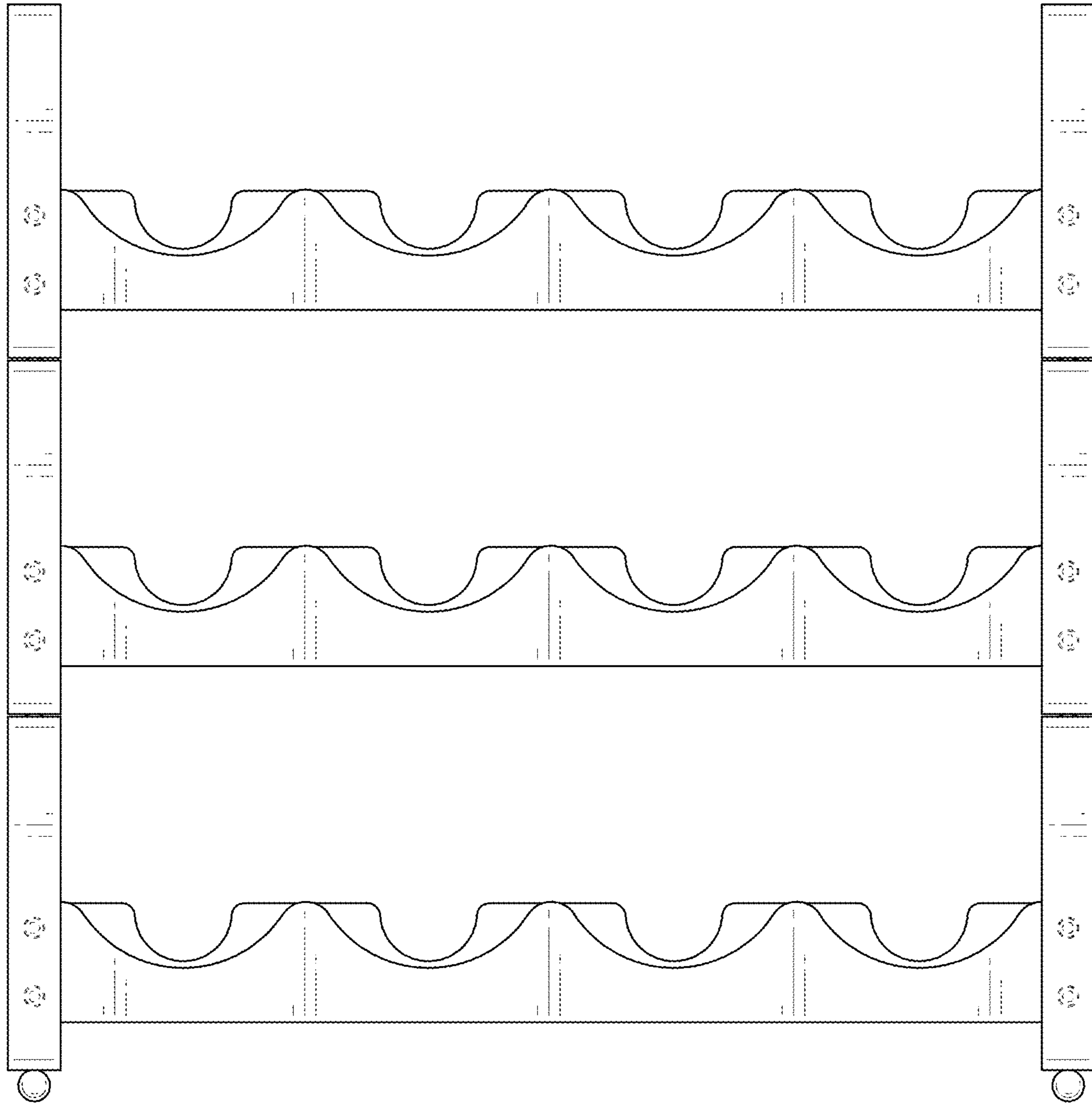


FIG. 4

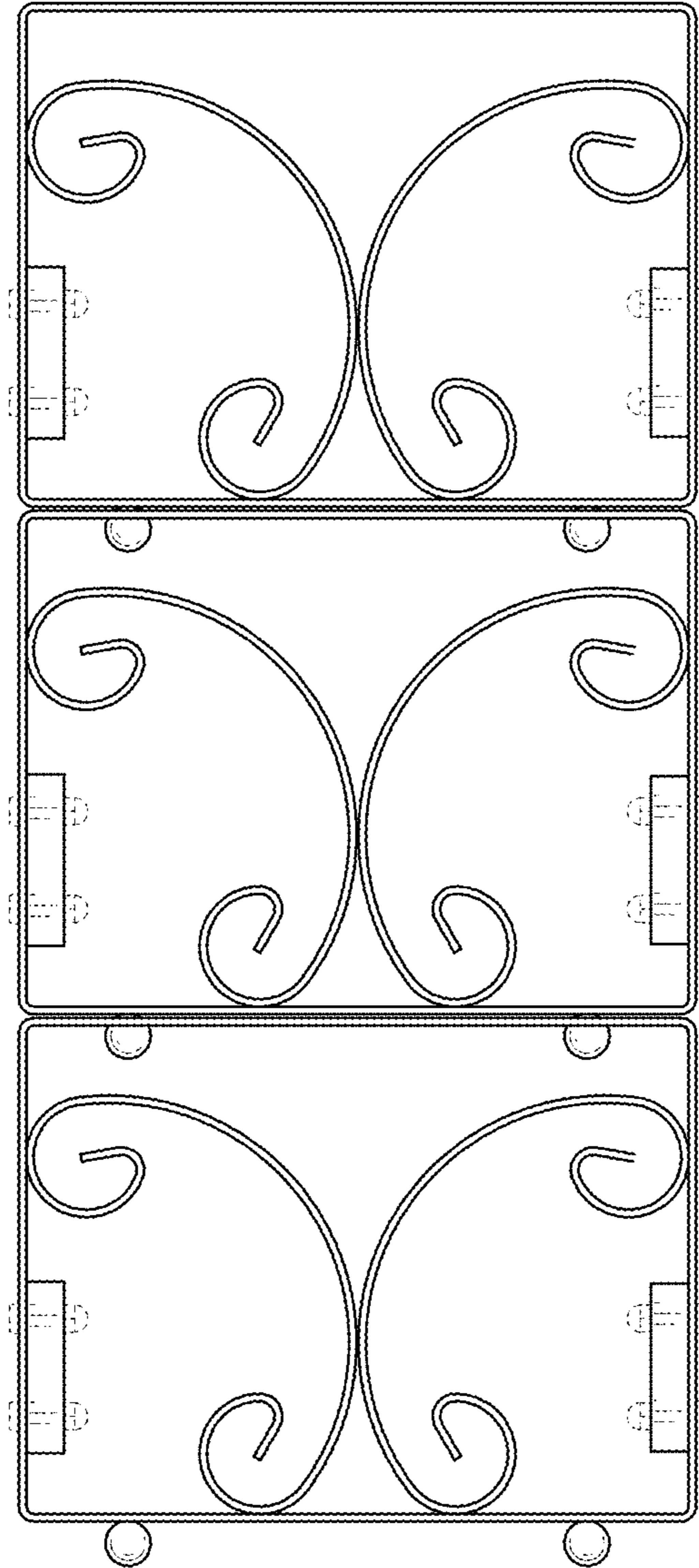


FIG. 5

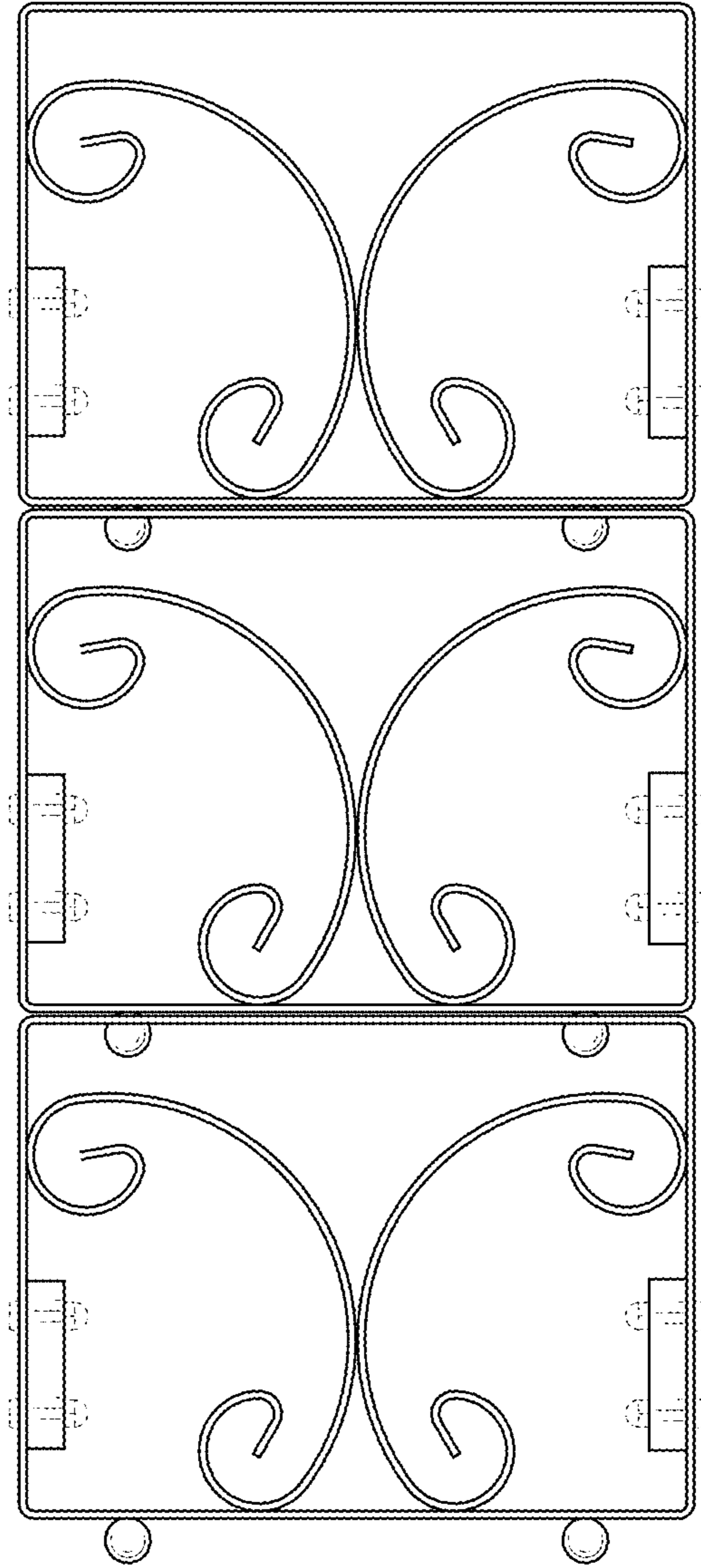


FIG. 6

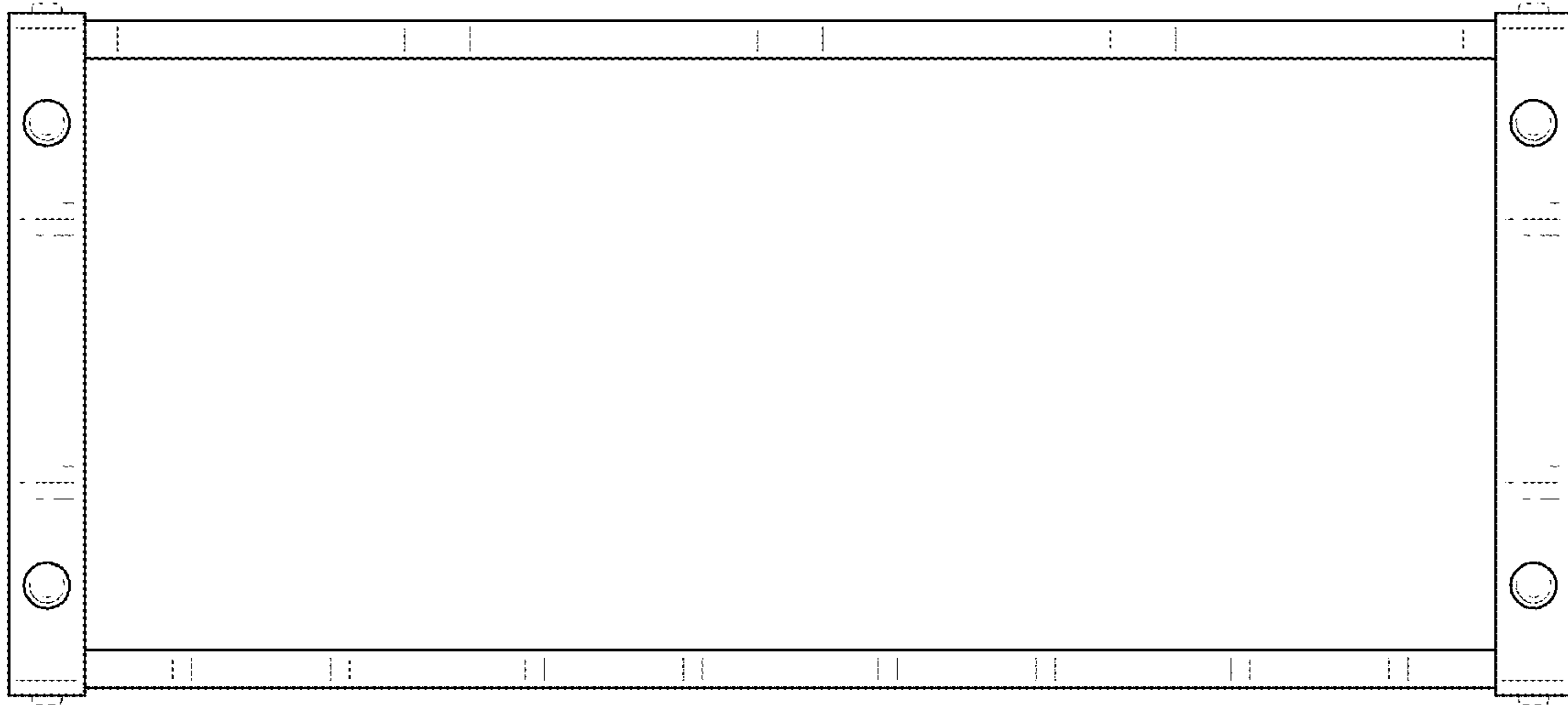


FIG. 7

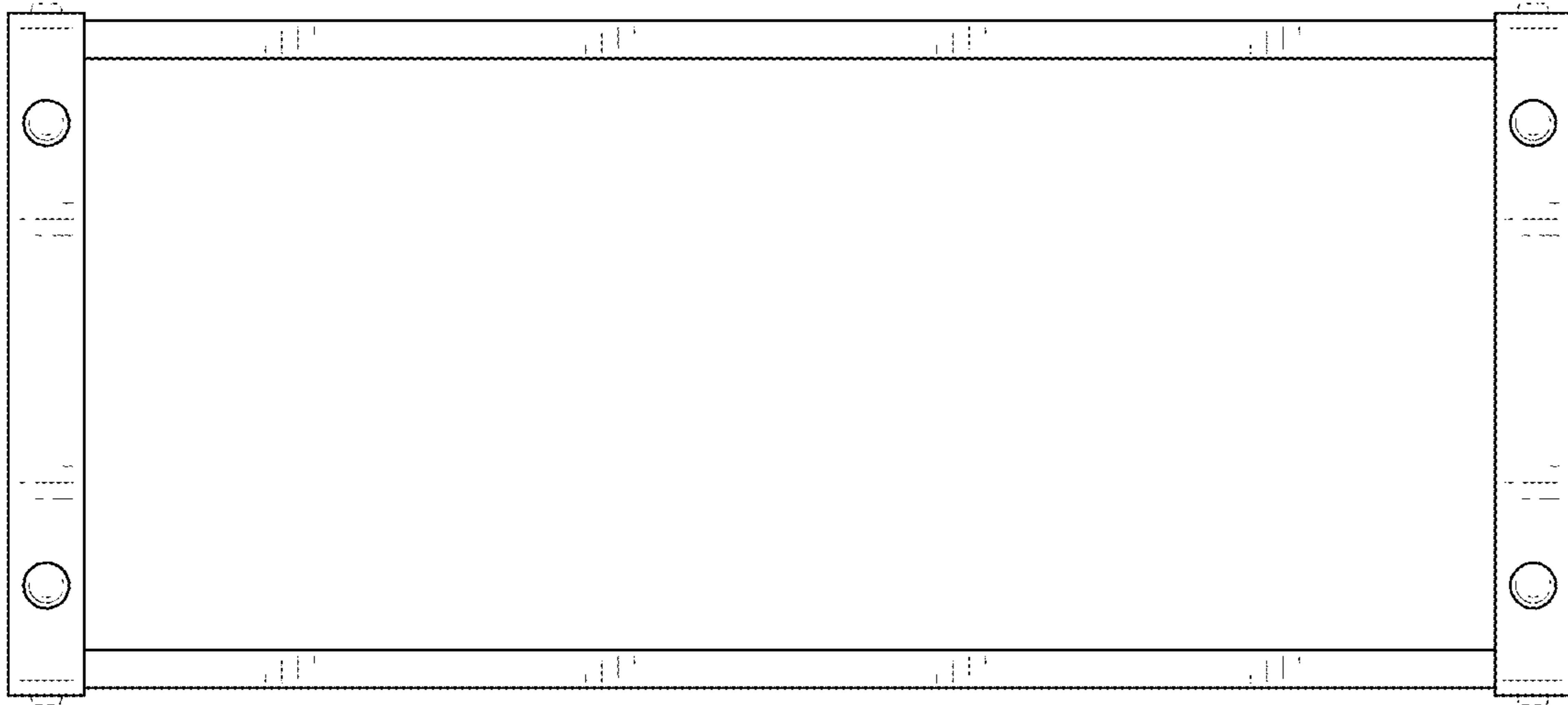


FIG. 8

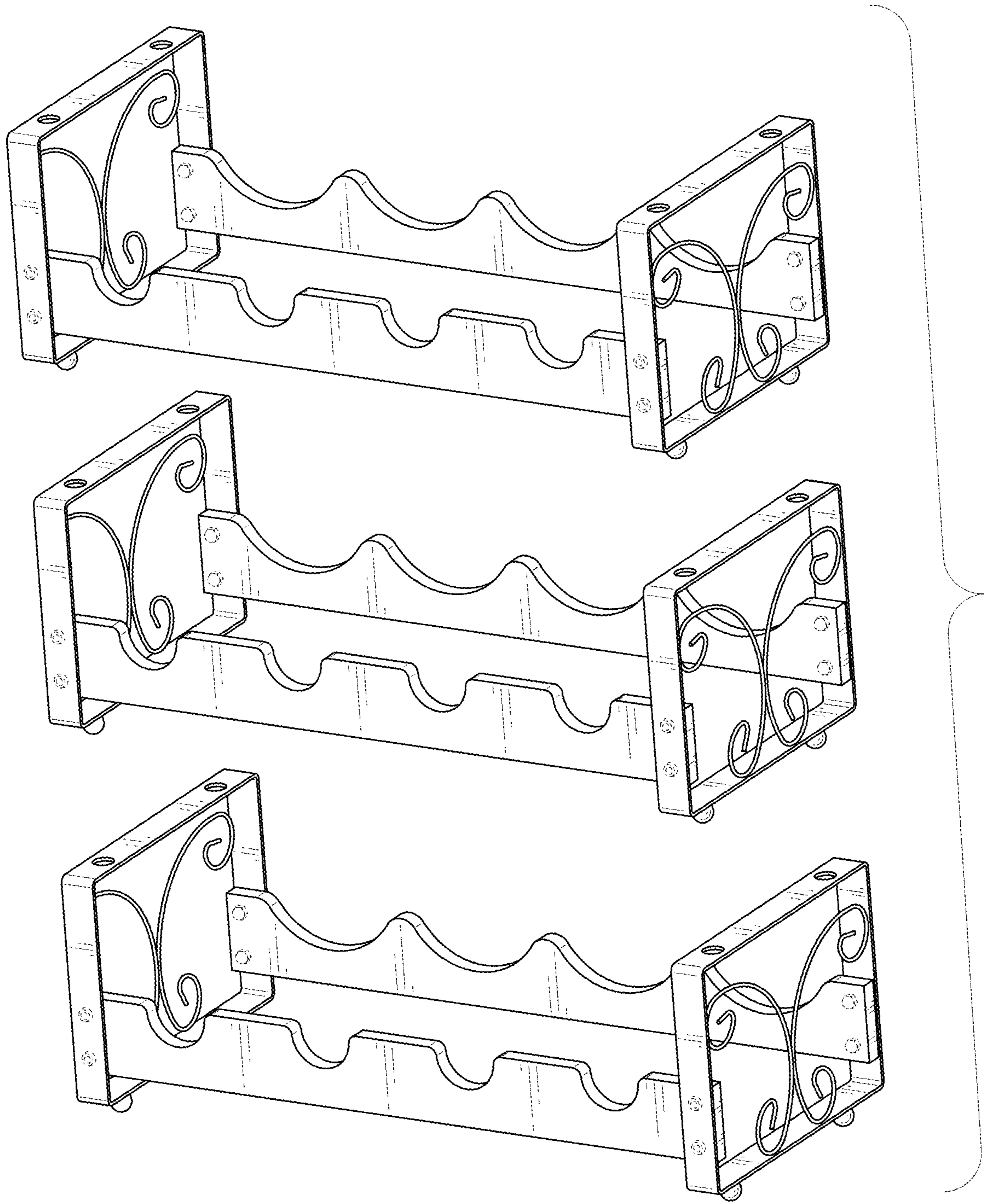


FIG. 9