



US00D908451S

(12) **United States Design Patent**  
**Cash**

(10) **Patent No.:** **US D908,451 S**

(45) **Date of Patent:** **\*\* Jan. 26, 2021**

(54) **WINE RACK**

(71) Applicant: **James Cash**, East Lansing, MI (US)

(72) Inventor: **James Cash**, East Lansing, MI (US)

(\*\*) Term: **15 Years**

(21) Appl. No.: **29/685,077**

(22) Filed: **Mar. 26, 2019**

(51) **LOC (13) Cl.** ..... **06-04**

(52) **U.S. Cl.**  
USPC ..... **D7/701**

(58) **Field of Classification Search**

USPC ..... D7/600.1-600.4, 701-708; D6/552, 567,  
D6/569, 574, 571, 572, 553, 554, 682.2,  
D6/675.1

CPC .... A47G 25/746; A47B 71/00; A47B 71/004;  
A47B 81/005; A47B 81/00; A47B 73/00;  
A47B 73/004; A47B 73/006; A47B  
73/008; A47B 73/002; A47B 47/00; A47B  
47/0058; A47F 7/00; A47F 7/28; A63D  
15/10; B08B 9/42; A45D 20/12

See application file for complete search history.

(56) **References Cited**

**U.S. PATENT DOCUMENTS**

- 2,558,611 A \* 6/1951 Emmart ..... A47B 73/002  
211/74
- 3,606,023 A \* 9/1971 Edmunds ..... A47B 73/006  
211/74
- D273,450 S \* 4/1984 Williams ..... D7/707
- D283,472 S \* 4/1986 Wattles ..... D6/675.1

- 9,078,516 B2 \* 7/2015 Vogel ..... A47B 57/04
- 2013/0233814 A1 \* 9/2013 Gupta ..... A47B 81/00  
211/74
- 2014/0110364 A1 \* 4/2014 Vogel ..... A47F 7/28  
211/74

\* cited by examiner

*Primary Examiner* — Terry A Wallace

(74) *Attorney, Agent, or Firm* — Fitch, Even, Tabin & Flannery, LLP

(57) **CLAIM**

The ornamental design for a wine rack, as shown and described.

**DESCRIPTION**

FIG. 1 is a top perspective view of a first embodiment of a wine rack showing my new design;

FIG. 2 is a front elevation view of the wine rack of FIG. 1 shown within a stack;

FIG. 3 is a right-side elevation cross-sectional view of the wine rack of FIG. 2 taken along section lines III-III of FIG. 2, the left-side elevation view being a mirror image thereto;

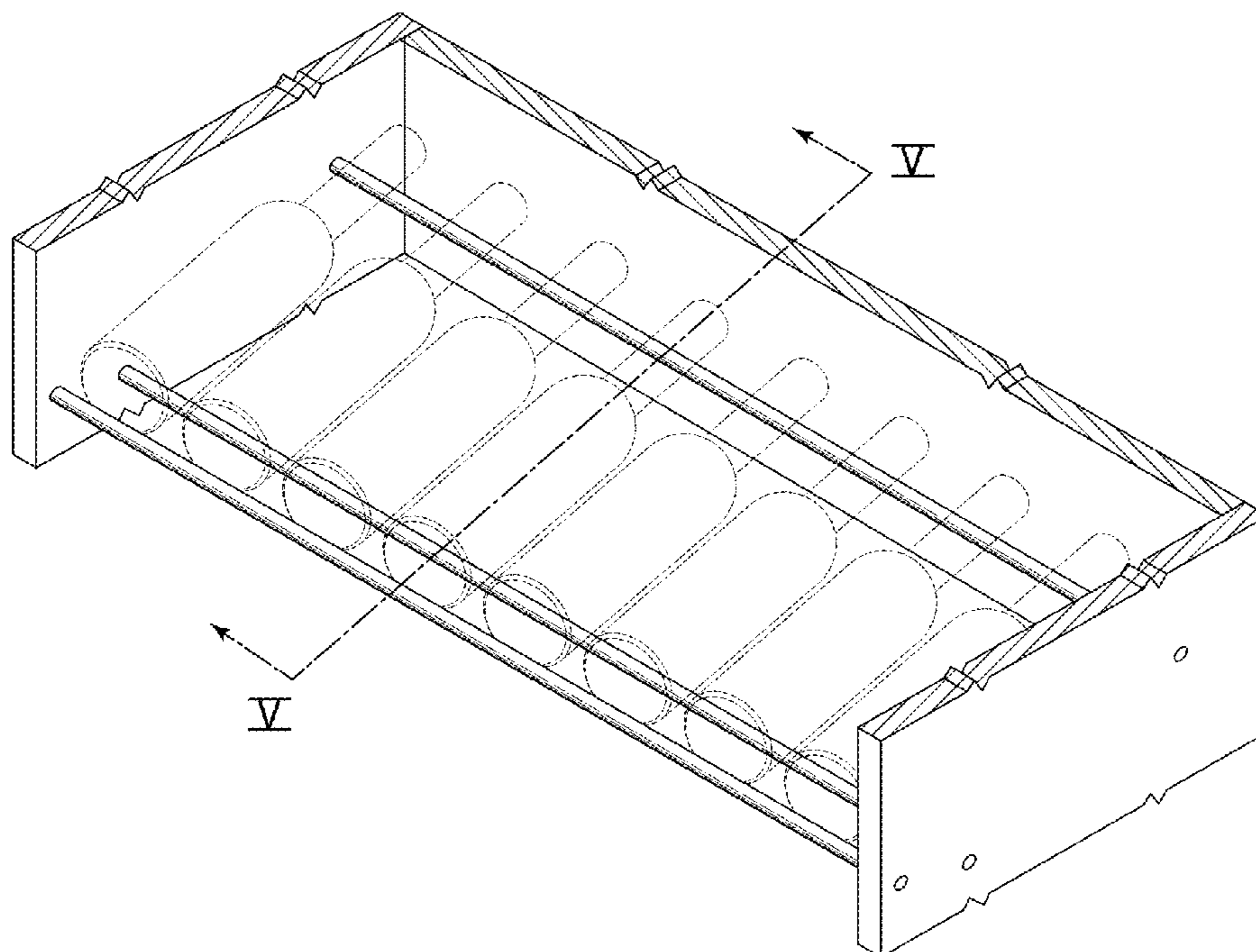
FIG. 4 is a front elevation view of the wine rack of FIG. 1; FIG. 5 is a right-side elevation cross-sectional view of the wine rack taken along section lines V-V in FIG. 1, the left-side elevation view being a mirror image thereto;

FIG. 6 is a right-side elevation view of the wine rack of FIG. 1, the left-side elevation view being a mirror image thereto; FIG. 7 is a top cross-sectional view of the wine rack of FIG. 1;

FIG. 8 is a bottom cross-sectional view of the wine rack of FIG. 1; and,

FIG. 9 is a rear elevation view of the wine rack of FIG. 1. The broken lines depict unclaimed environmental subject matter and form no part of the claimed design.

**1 Claim, 7 Drawing Sheets**



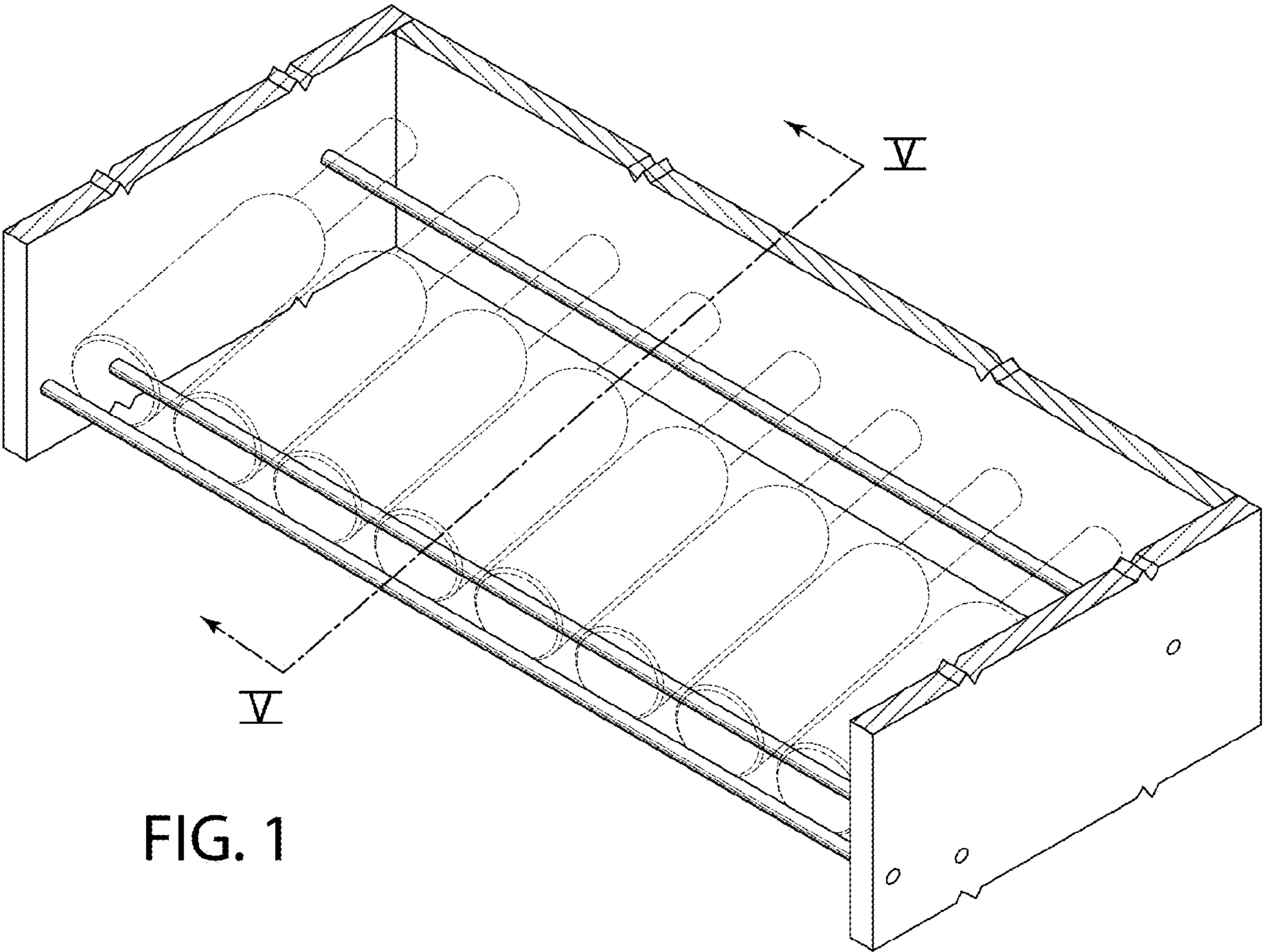
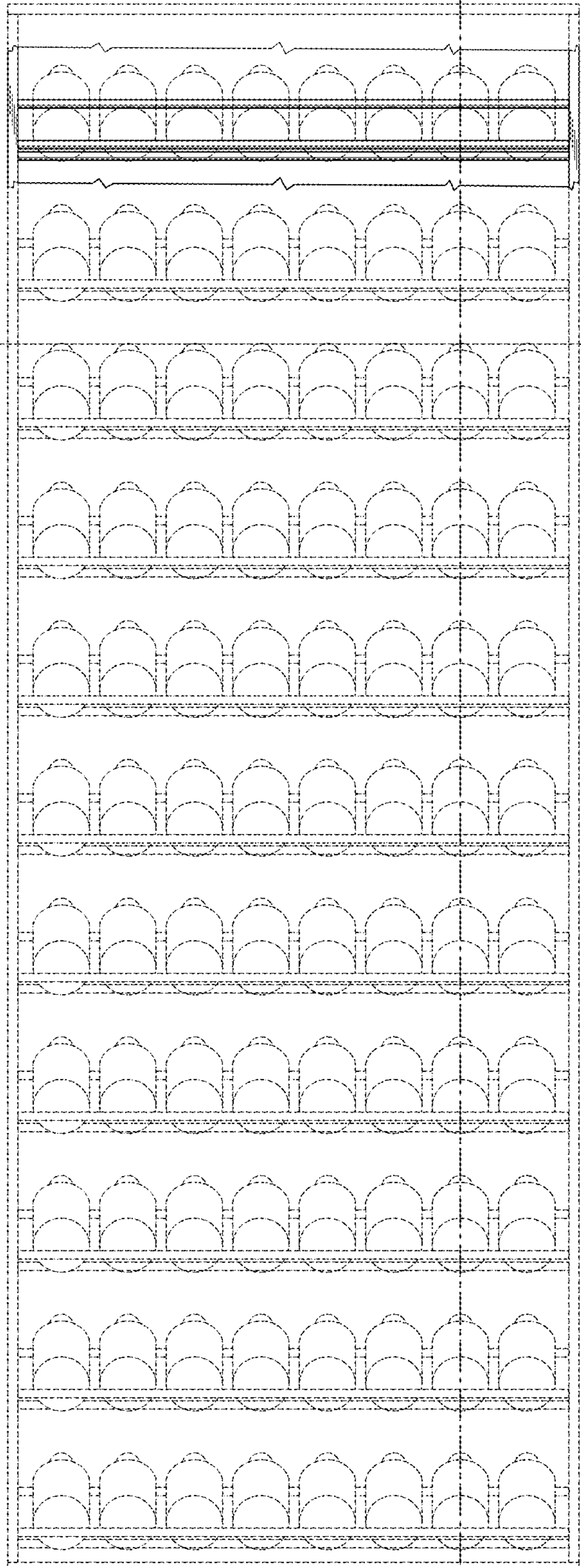


FIG. 1

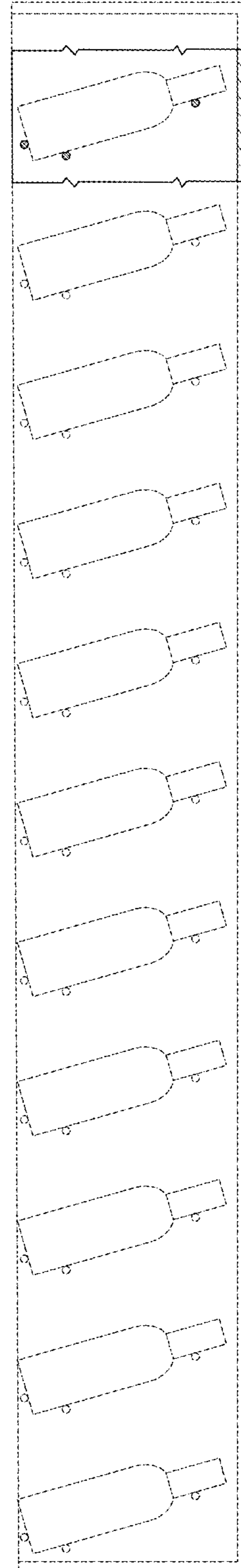
FIG. 2

III



III

FIG. 3



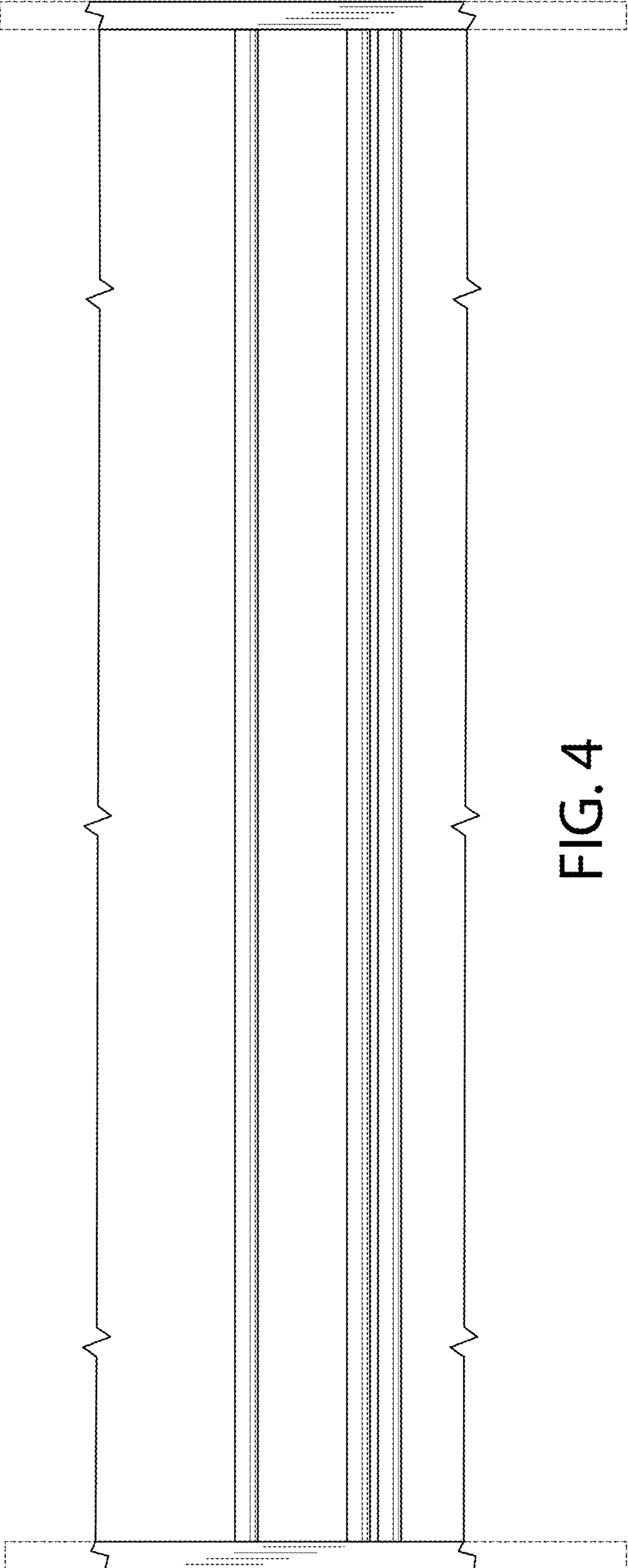


FIG. 4

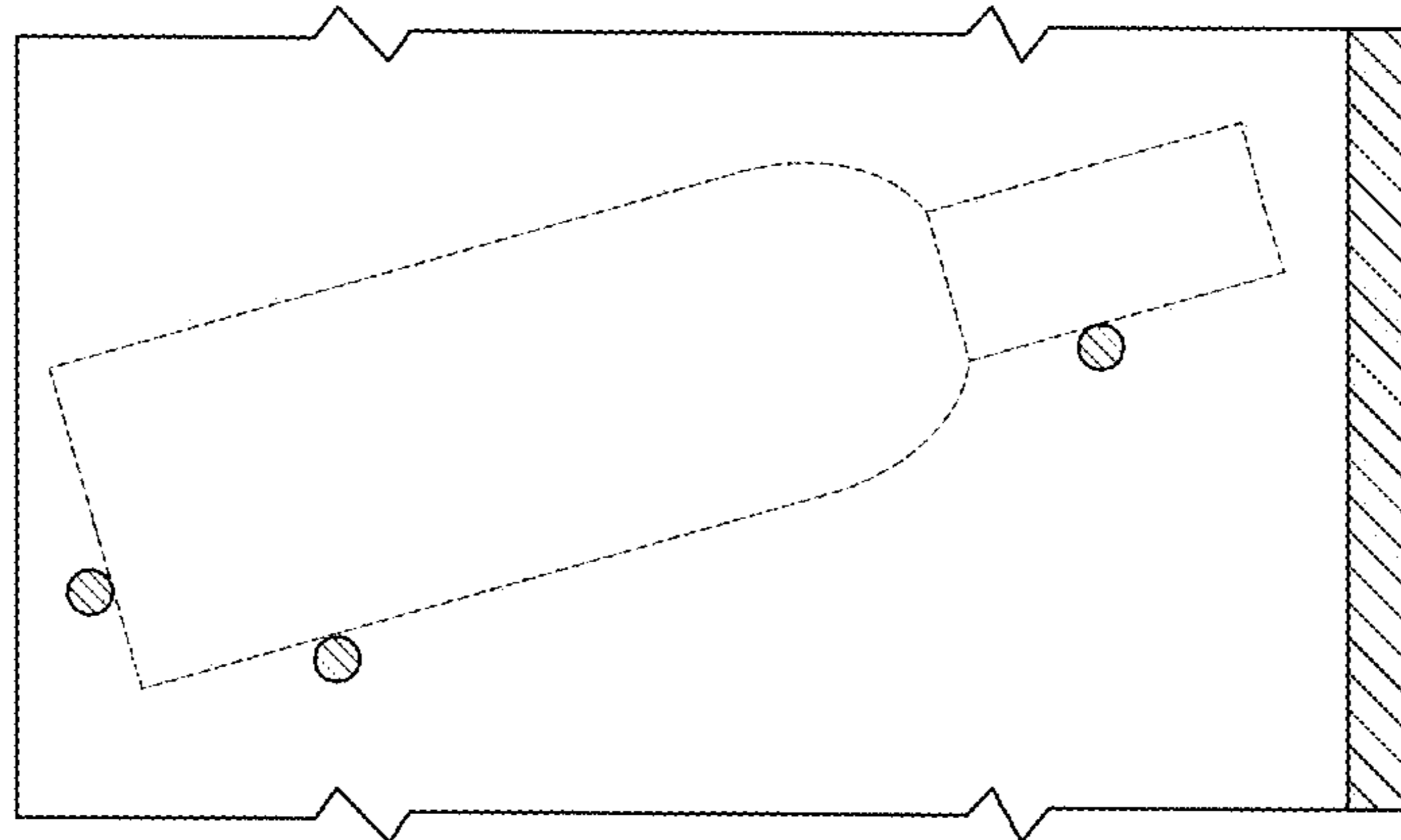


FIG. 5

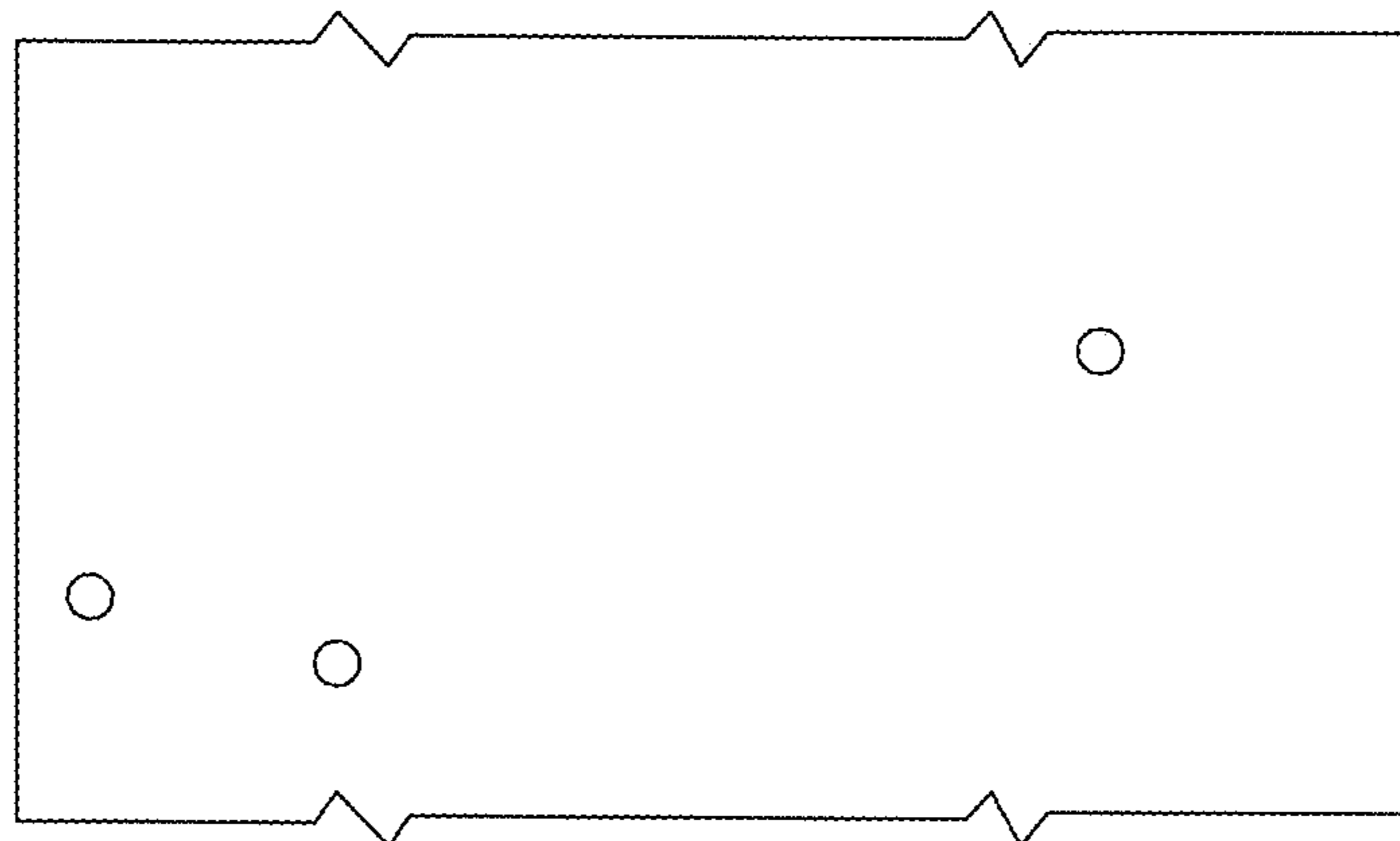


FIG. 6

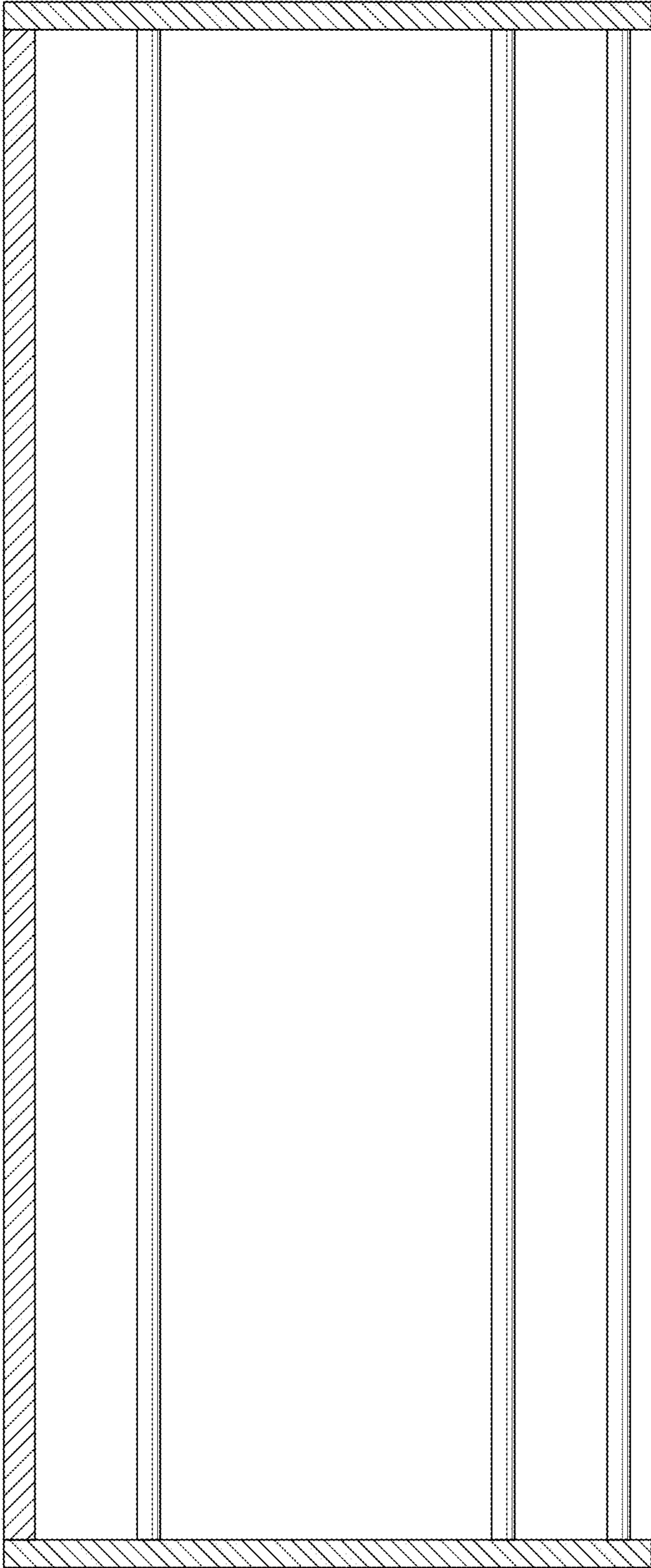


FIG. 7

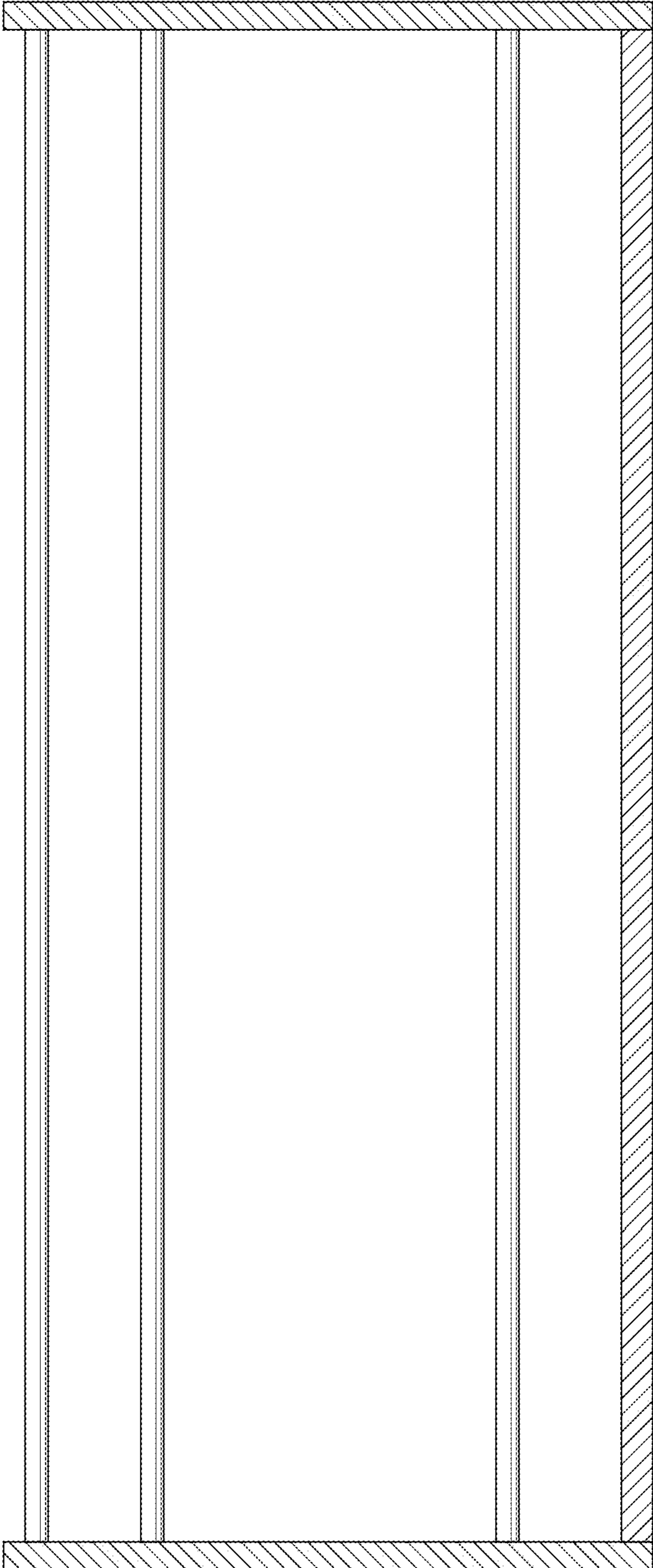


FIG. 8

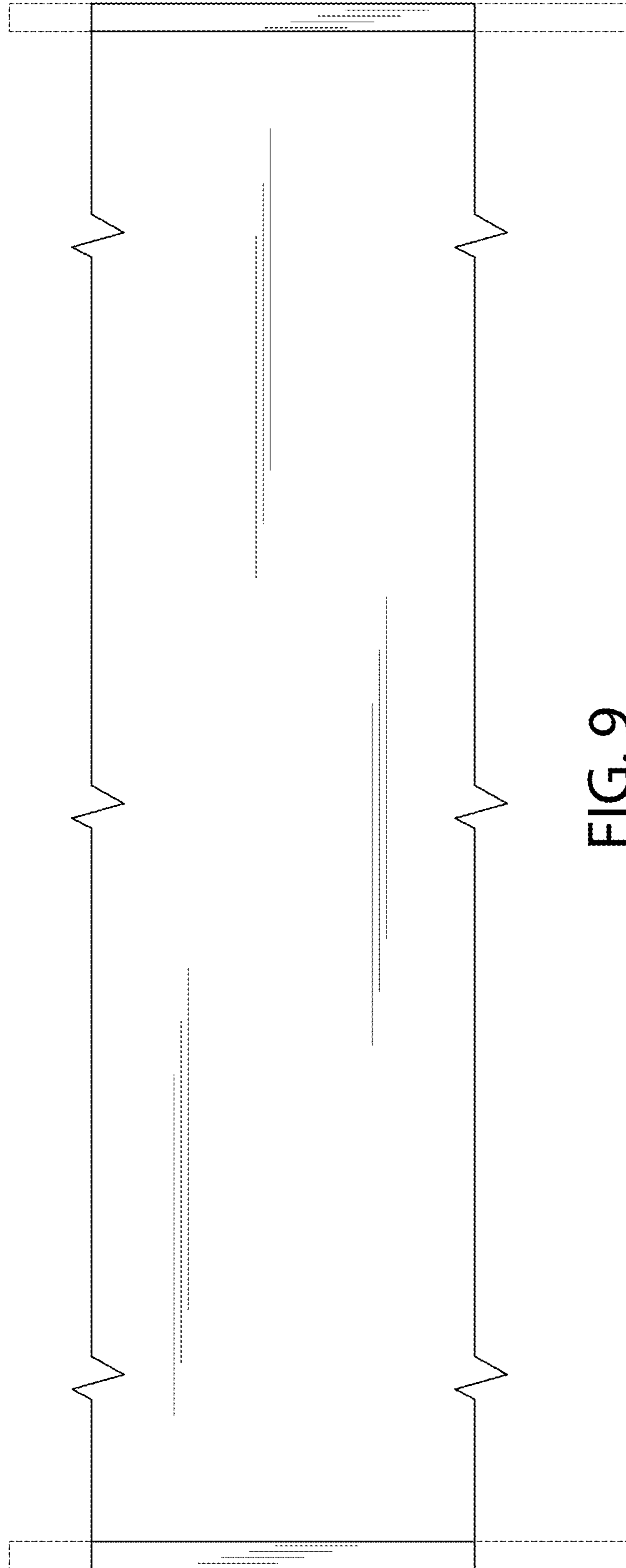


FIG. 9