



US00D908450S

(12) **United States Design Patent**
Tabesh Nekoo

(10) **Patent No.:** **US D908,450 S**

(45) **Date of Patent:** **** Jan. 26, 2021**

(54) **FUNNEL CAP**

(71) Applicant: **Masoud Tabesh Nekoo**, Tujunga, CA
(US)

(72) Inventor: **Masoud Tabesh Nekoo**, Tujunga, CA
(US)

(**) Term: **15 Years**

(21) Appl. No.: **29/710,001**

(22) Filed: **Oct. 18, 2019**

(51) **LOC (13) Cl.** **07-99**

(52) **U.S. Cl.**
USPC **D7/700**

(58) **Field of Classification Search**
USPC D7/300.2, 635, 667, 669, 665, 670, 700
CPC A23P 20/15; A47J 19/023; A47J 19/022;
A47J 19/02; A23N 1/003; B30B 9/02;
B67C 3/34; B65B 39/00
See application file for complete search history.

(56) **References Cited**

U.S. PATENT DOCUMENTS

D327,847 S	*	7/1992	Willems	D9/434
D365,980 S	*	1/1996	Matara	D7/670
D460,358 S	*	7/2002	Ciolino	D9/447
D520,807 S	*	5/2006	Morgan	B65D 35/38 D7/368

D605,037 S	*	12/2009	Schrimpf	D9/447
D627,369 S	*	11/2010	Troxell	D15/5
D662,654 S	*	6/2012	Trudnowski	D27/167
D704,384 S	*	5/2014	Worsley	D30/121
D716,112 S	*	10/2014	Cranstoun	D7/700
D735,934 S	*	8/2015	Saikaly	D27/169
D778,131 S	*	2/2017	Kalbach	D7/700

* cited by examiner

Primary Examiner — Karen S Acker

Assistant Examiner — Steven B Reinholdt, Jr.

(74) *Attorney, Agent, or Firm* — Averill & Green;
Kenneth L Green

(57) **CLAIM**

The ornamental design for a funnel cap, as shown and described.

DESCRIPTION

FIG. 1 is a left side view showing my funnel cap, the right side the mirror image of the left side.

FIG. 2 is a front view showing my new design.

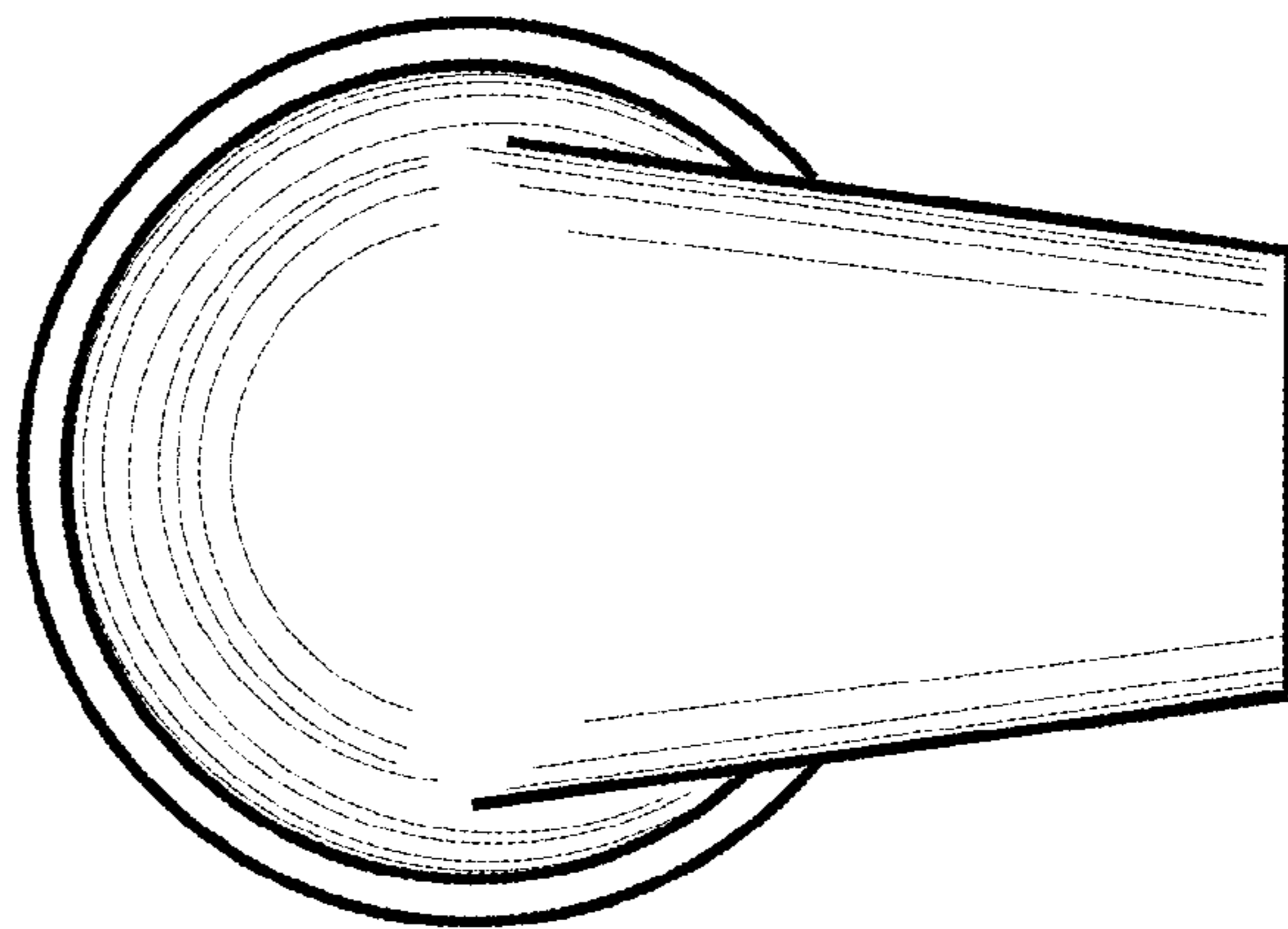
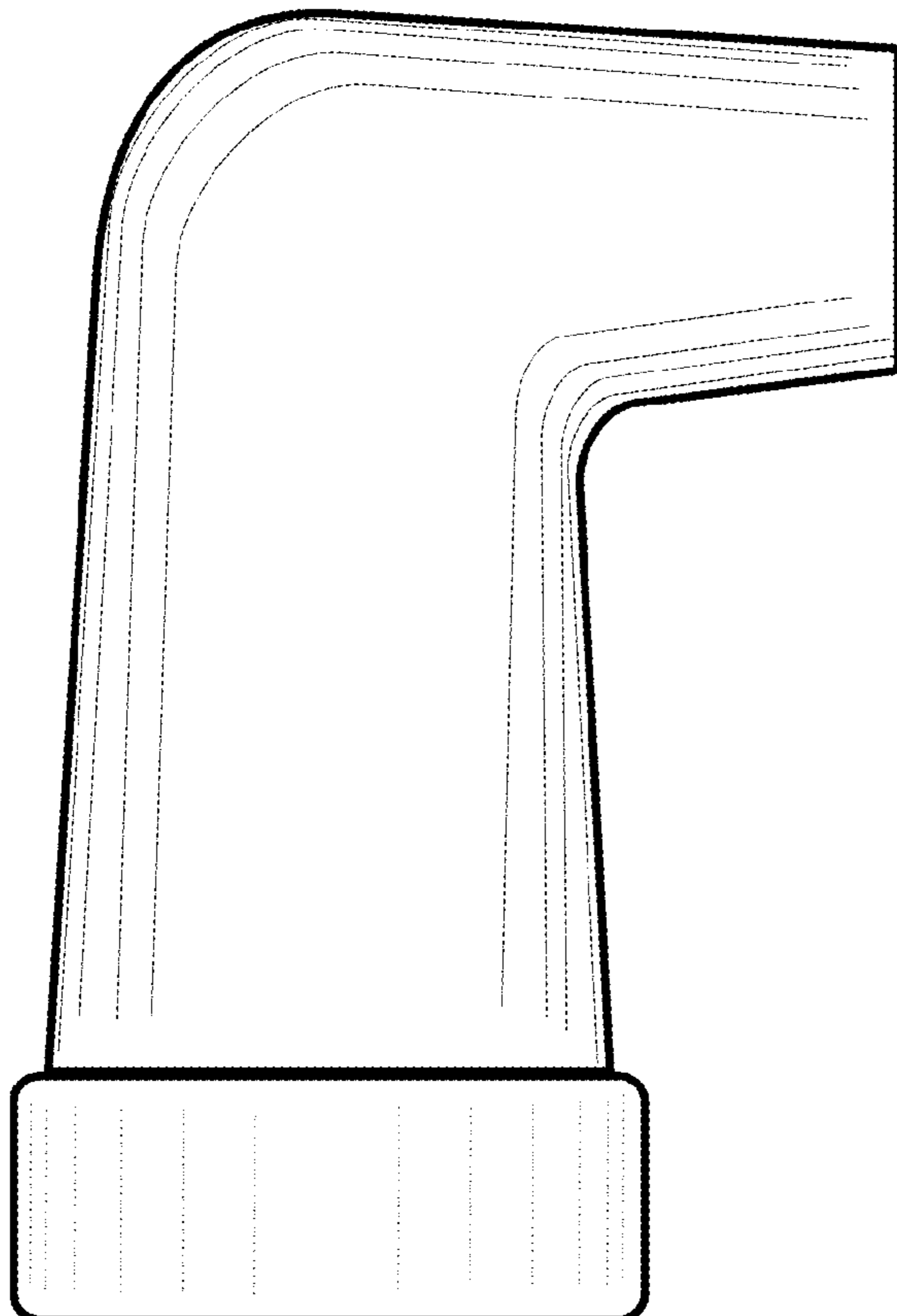
FIG. 3 is a rear view thereof.

FIG. 4 is a top view thereof; and,

FIG. 5 is a bottom view thereof.

The dot-dash-dot broken lines in FIGS. 2 and 5 denote the boundaries of the claim and form no part thereof, and the evenly spaced broken lines and the areas within them in FIGS. 2 and 5 depict portions of the funnel cap that form no part of the claimed design.

1 Claim, 2 Drawing Sheets



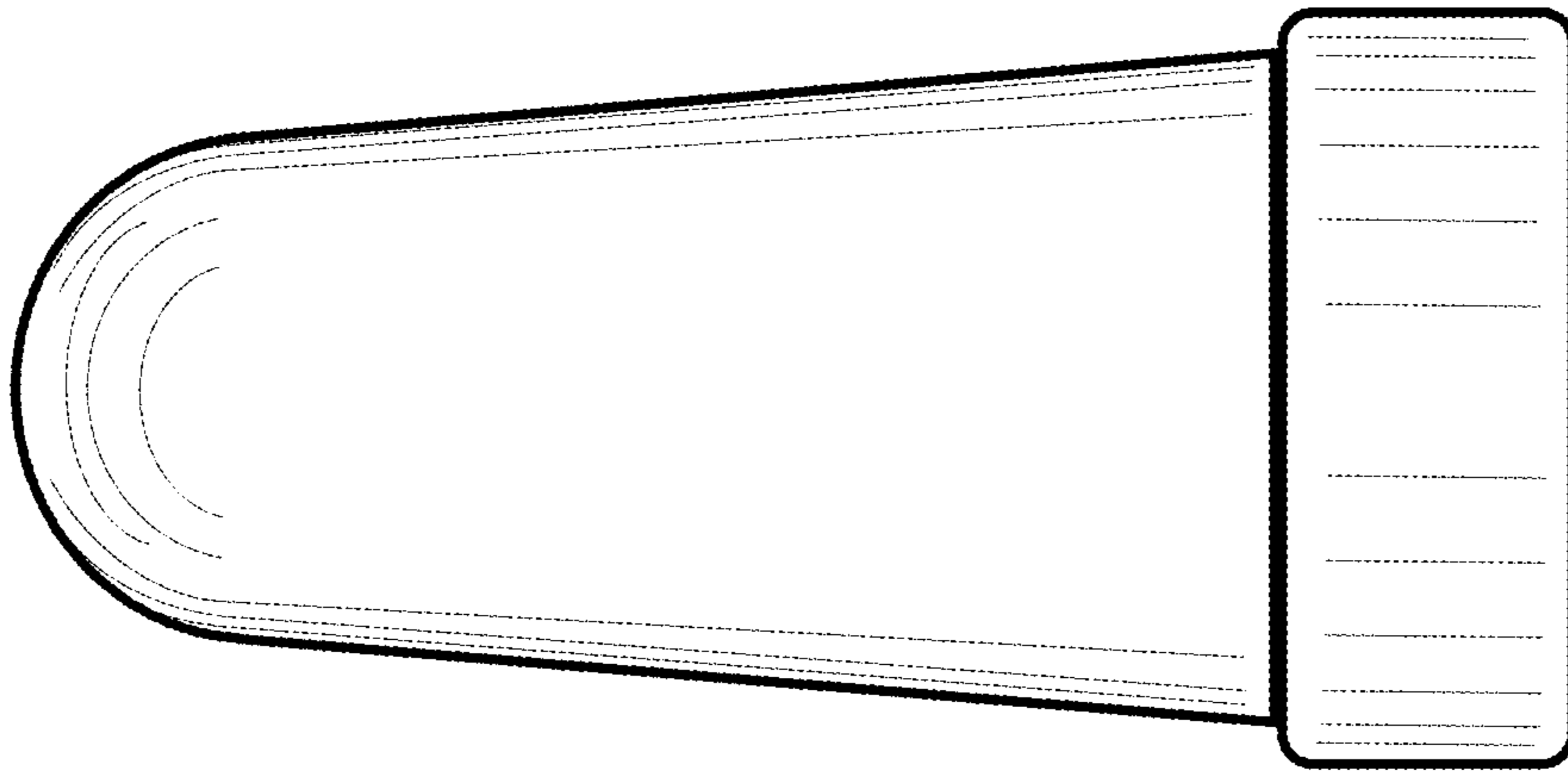


FIG. 3

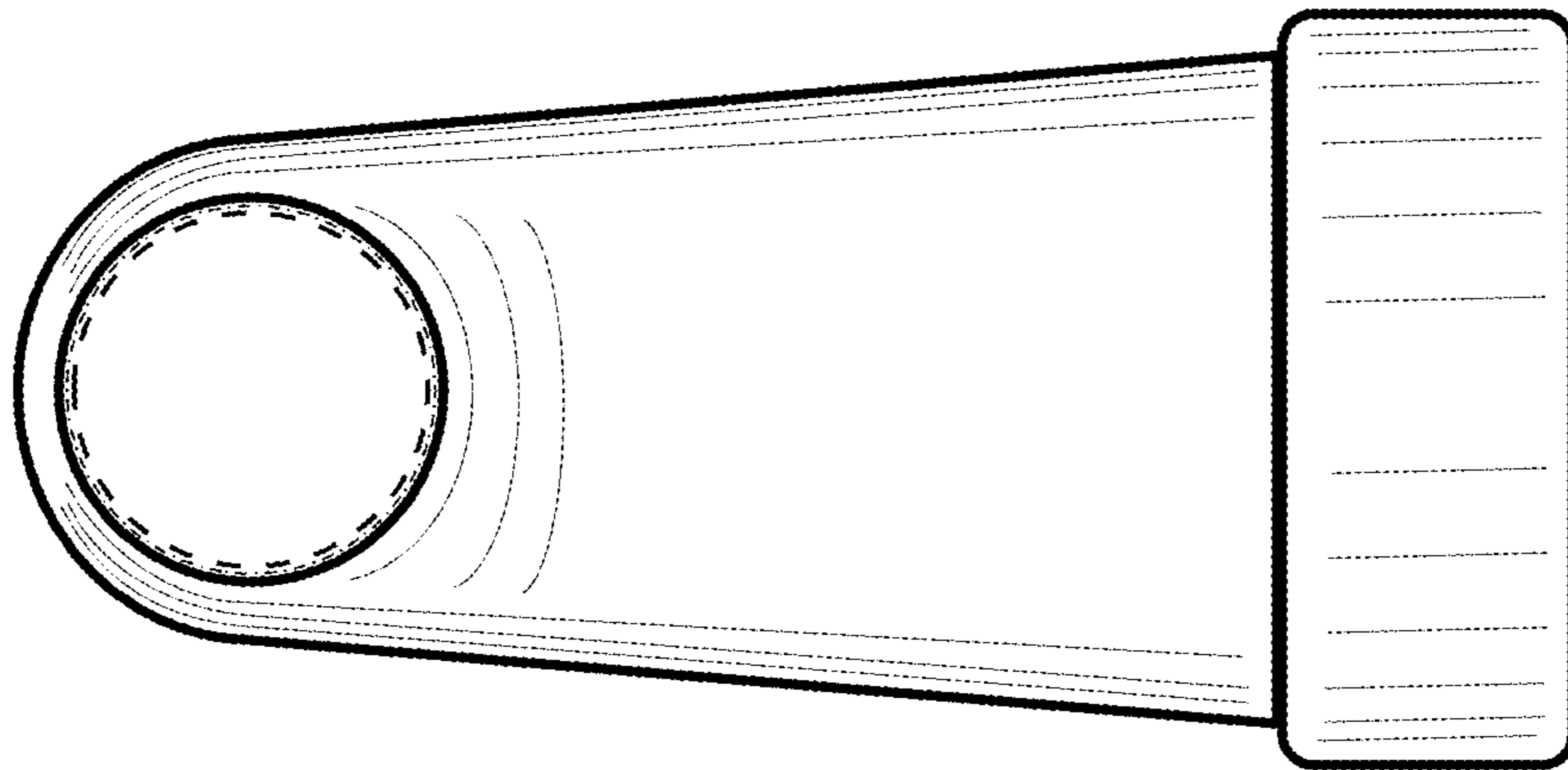


FIG. 2

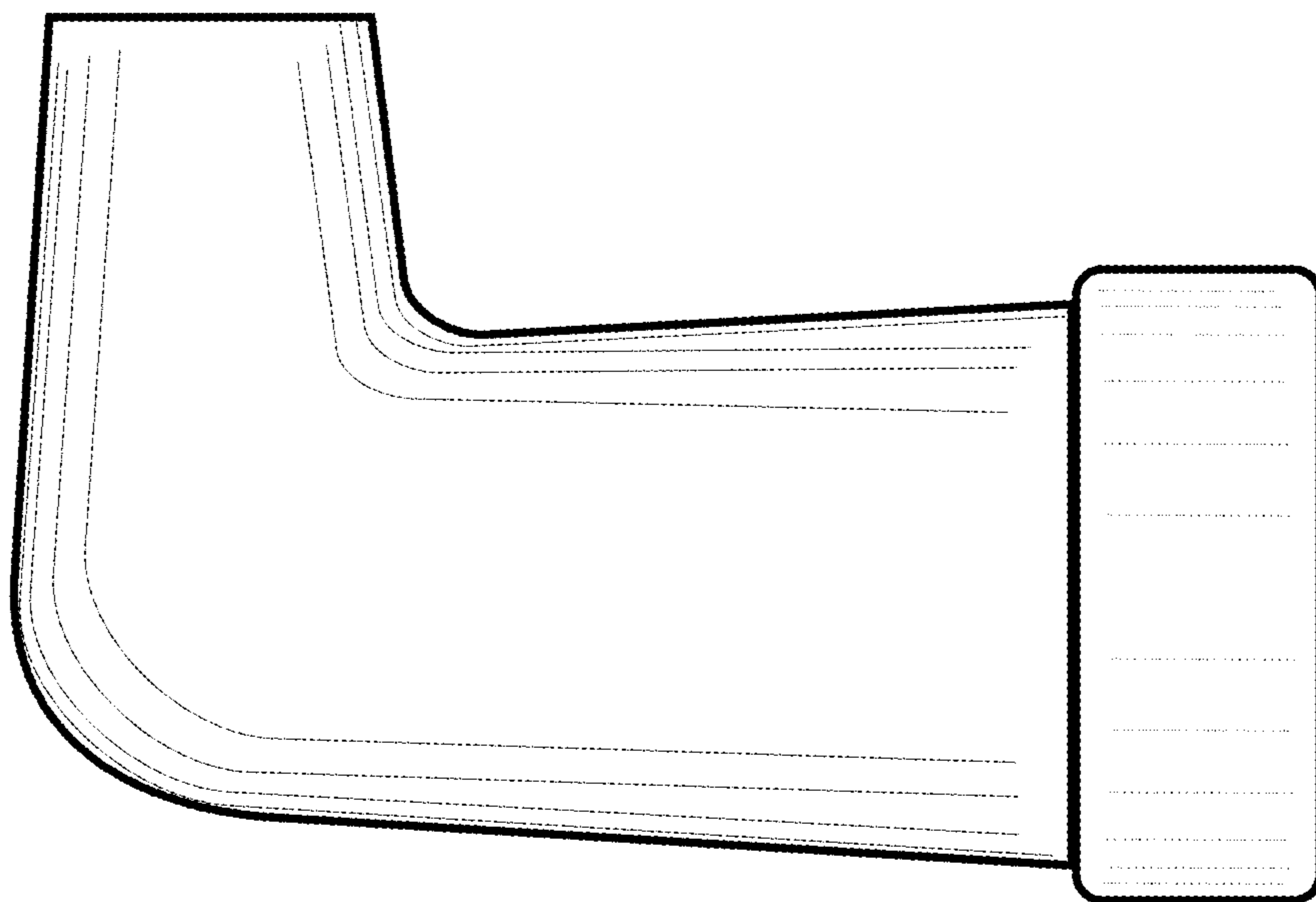


FIG. 1

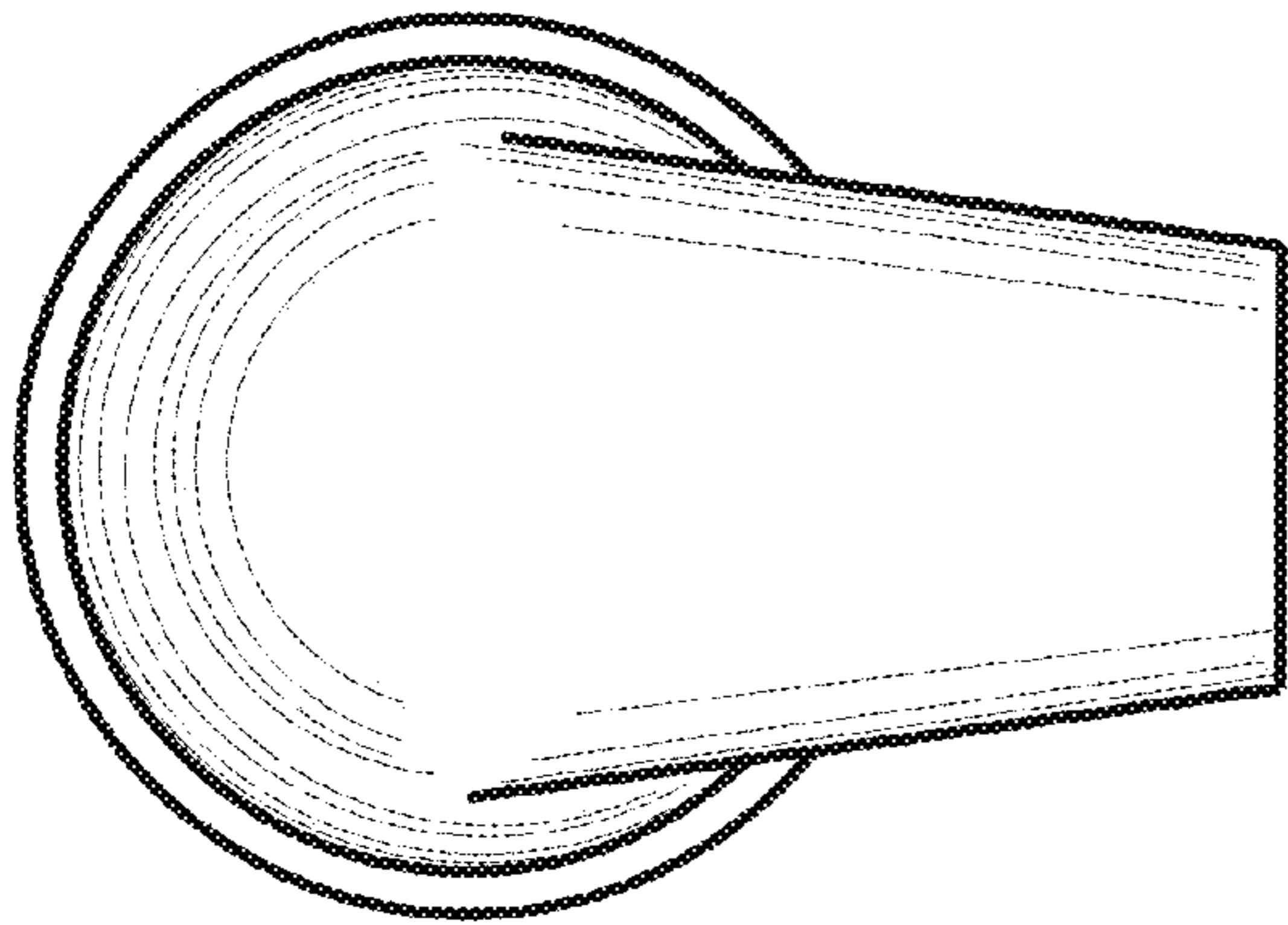


FIG. 4

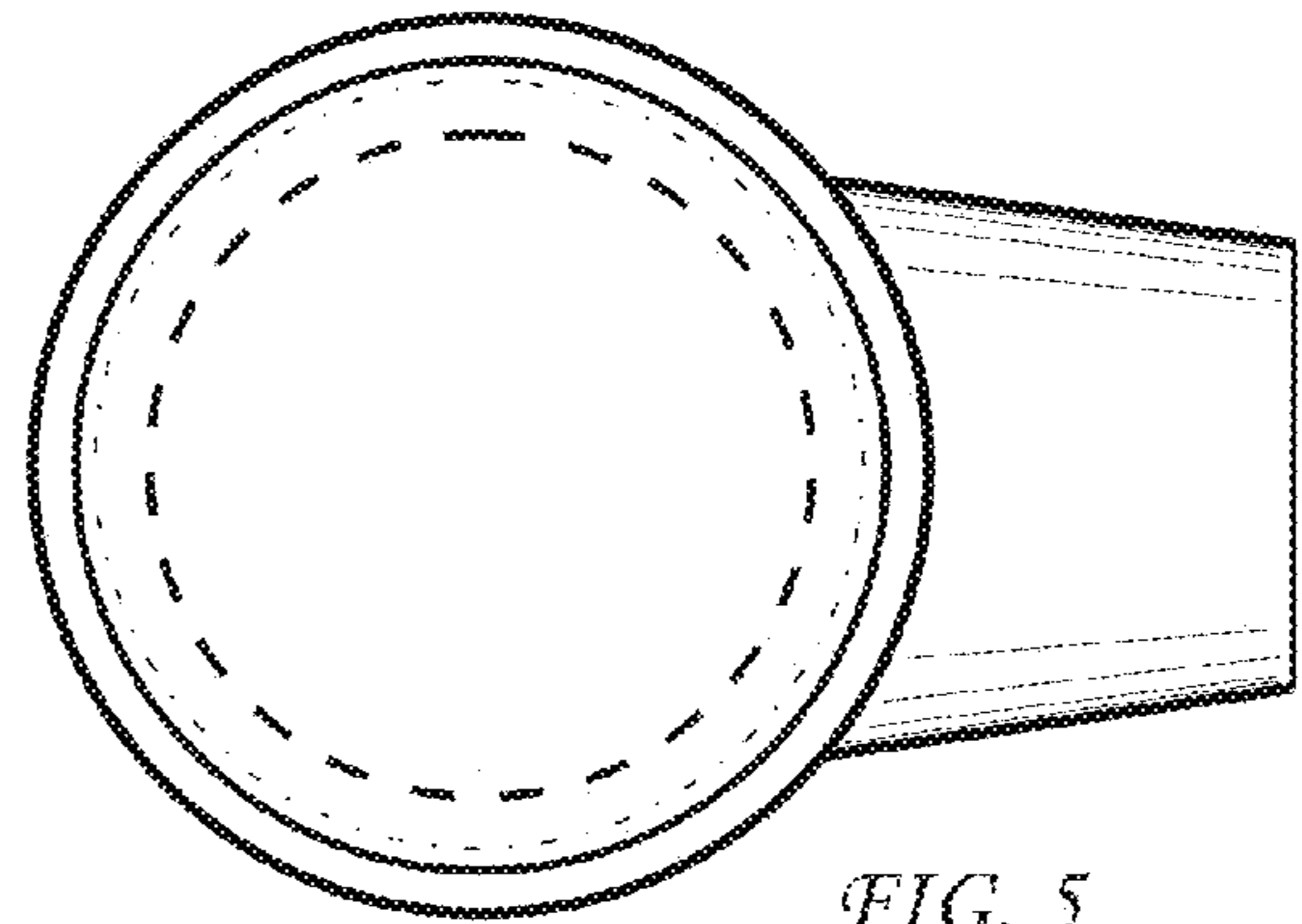


FIG. 5