



US00D908449S

(12) **United States Design Patent**  
**Kim et al.**

(10) **Patent No.: US D908,449 S**

(45) **Date of Patent: \*\* Jan. 26, 2021**

(54) **ICE CREAM SCOOP**

(71) Applicants: **Min Kim**, Jersey City, NJ (US);  
**Edward Lee**, Brooklyn, NY (US);  
**Mason Adam Umholtz**, Sunnyvale, CA  
(US); **Marc-Aurelien Vivant**,  
Brooklyn, NY (US)

(72) Inventors: **Min Kim**, Jersey City, NJ (US);  
**Edward Lee**, Brooklyn, NY (US);  
**Mason Adam Umholtz**, Sunnyvale, CA  
(US); **Marc-Aurelien Vivant**,  
Brooklyn, NY (US)

(73) Assignee: **Helen of Troy Limited**, St. Michael  
(BB)

(\*\*) Term: **15 Years**

(21) Appl. No.: **29/702,266**

(22) Filed: **Aug. 18, 2019**

(51) **LOC (13) Cl. .... 07-99**

(52) **U.S. Cl.**  
USPC ..... **D7/681**

(58) **Field of Classification Search**  
USPC ..... D7/368, 380, 393, 395, 669, 680-696,  
D7/642, 643, 653; D32/40, 46; D15/11;  
D8/1, 10  
CPC ..... A47J 43/282; A23G 3/563  
See application file for complete search history.

(56) **References Cited**

**U.S. PATENT DOCUMENTS**

- 2,174,388 A \* 9/1939 Myers ..... A47J 43/282  
30/328
- D172,806 S \* 8/1954 Reinecke ..... D7/653
- D248,009 S \* 5/1978 Cannon ..... D7/664
- D256,212 S \* 8/1980 Richmond ..... D7/644
- D387,957 S \* 12/1997 Keller ..... D30/199
- D411,081 S \* 6/1999 Holland ..... D7/653
- D413,772 S \* 9/1999 Durbin ..... D7/653
- D532,262 S \* 11/2006 Schuler ..... D7/681
- D606,372 S \* 12/2009 Gorskey ..... D7/688

- D614,922 S \* 5/2010 Sierra ..... D7/653
- D628,448 S \* 12/2010 Genatossio ..... D7/691
- D648,603 S \* 11/2011 Bhasin ..... D7/691
- D667,165 S \* 9/2012 Strube ..... D28/7
- D732,902 S \* 6/2015 Ebli ..... D7/653
- D749,376 S \* 2/2016 Genatossio ..... D7/691

**FOREIGN PATENT DOCUMENTS**

WO D062856-013 \* 8/2002

**OTHER PUBLICATIONS**

Zyliss® Right Scoop Ice Cream Scoop. Online, published date unknown. Retrieved on Oct. 1, 2020 from URL: <https://www.bedbathandbeyond.com/store/product/zyliss-reg-right-scoop-ice-cream-scoop/1012437501>.\*

OXO Good Grips Stainless Steel Ice Cream Spade. Online, published date May 15, 2020. Retrieved on Oct. 1, 2020 from URL: [https://www.amazon.com/OXO-Grips-Stainless-Steel-Cream/dp/B088P6BGVR/ref=asc\\_df\\_B088P6BGVR/?tag=hyprod-20&linkCode=df0&hvadid=459497558379&hvpos=&hvnetw=g&hvrnd=8102222003267002335&hvppone=&hvptwo=&](https://www.amazon.com/OXO-Grips-Stainless-Steel-Cream/dp/B088P6BGVR/ref=asc_df_B088P6BGVR/?tag=hyprod-20&linkCode=df0&hvadid=459497558379&hvpos=&hvnetw=g&hvrnd=8102222003267002335&hvppone=&hvptwo=&).\*

(Continued)

*Primary Examiner* — Susan Bennett Hattan

*Assistant Examiner* — Omeed Agilee

(74) *Attorney, Agent, or Firm* — Rankin, Hill & Clark LLP

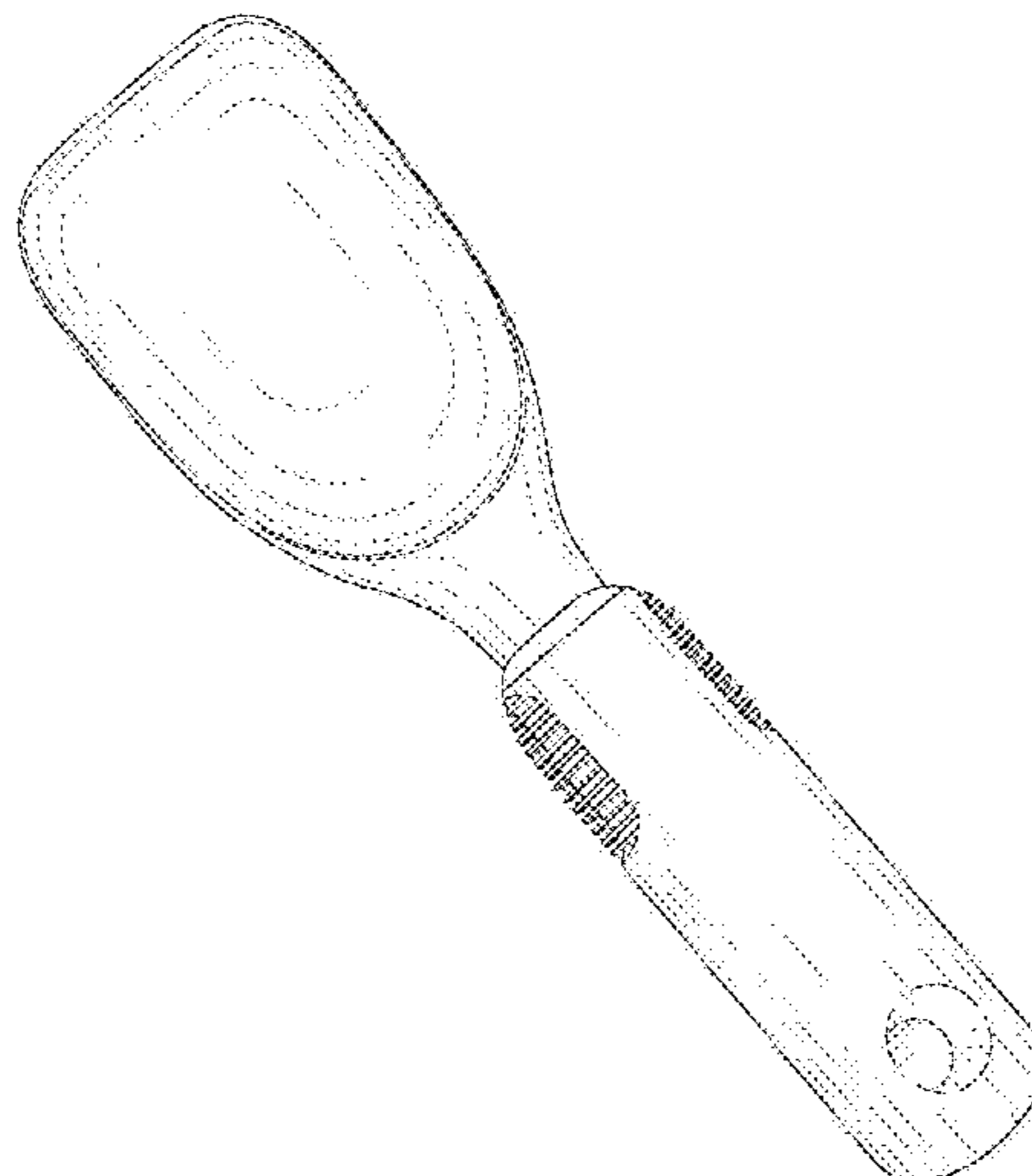
(57) **CLAIM**

The ornamental design for an ice cream scoop, as shown, and described.

**DESCRIPTION**

FIG. 1 is a perspective view of an ice cream scoop;  
FIG. 2 is a front view thereof;  
FIG. 3 is a rear view thereof;  
FIG. 4 is a right elevation view thereof, the left elevation view being a mirror image thereof;  
FIG. 5 is a top plan view thereof; and,  
FIG. 6 is a bottom plan view thereof.

**1 Claim, 6 Drawing Sheets**



(56)

**References Cited**

OTHER PUBLICATIONS

Vollrath 47270 10 1/8" Ice Cream Spade. Online, published date unknown. Retrieved on Oct. 1, 2020 from URL: <https://www.katom.com/175-47270.html>.\*  
<https://www.oxo.com/ice-cream-spade-498.html>, publicly available prior to Aug. 18, 2019.

\* cited by examiner

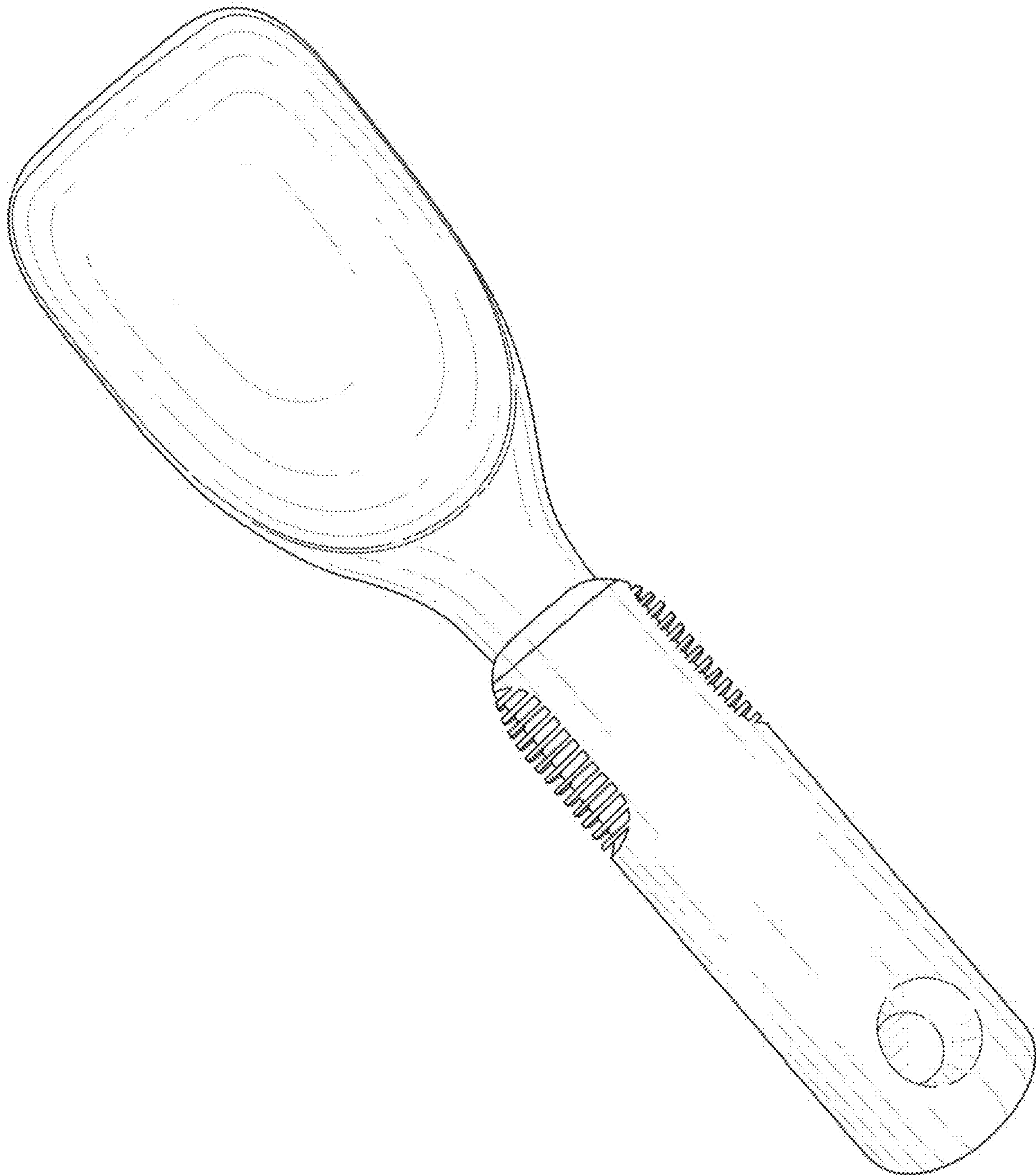


FIG. 1

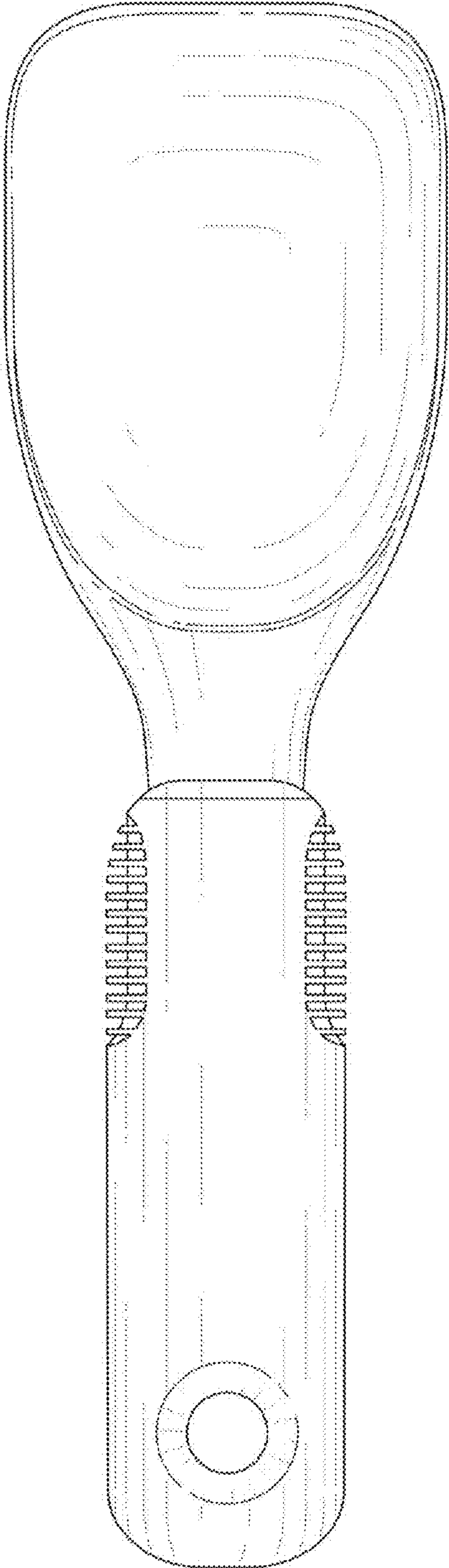


FIG. 2

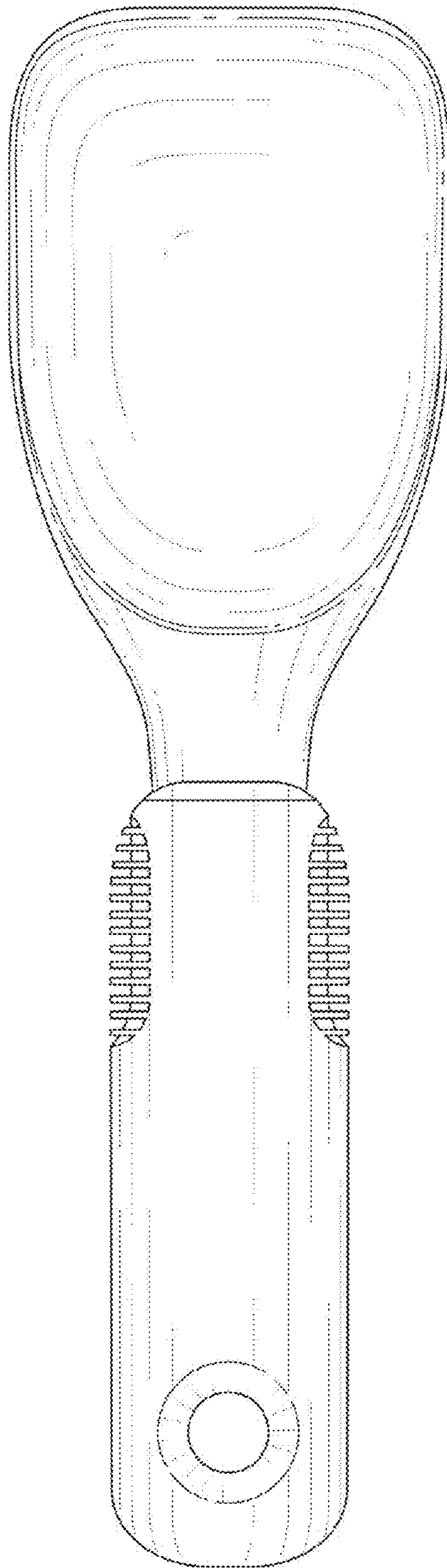


FIG. 3

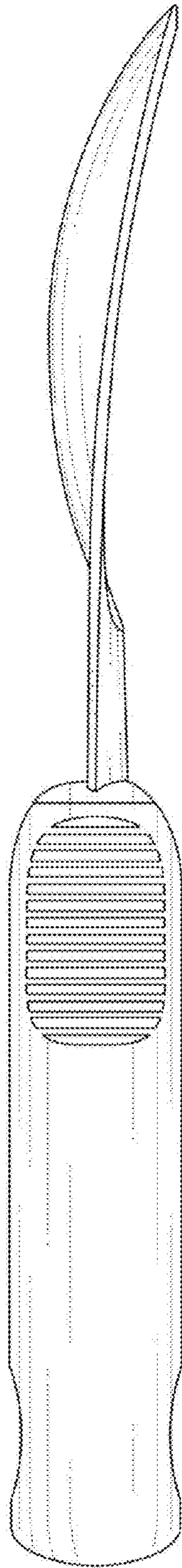


FIG. 4

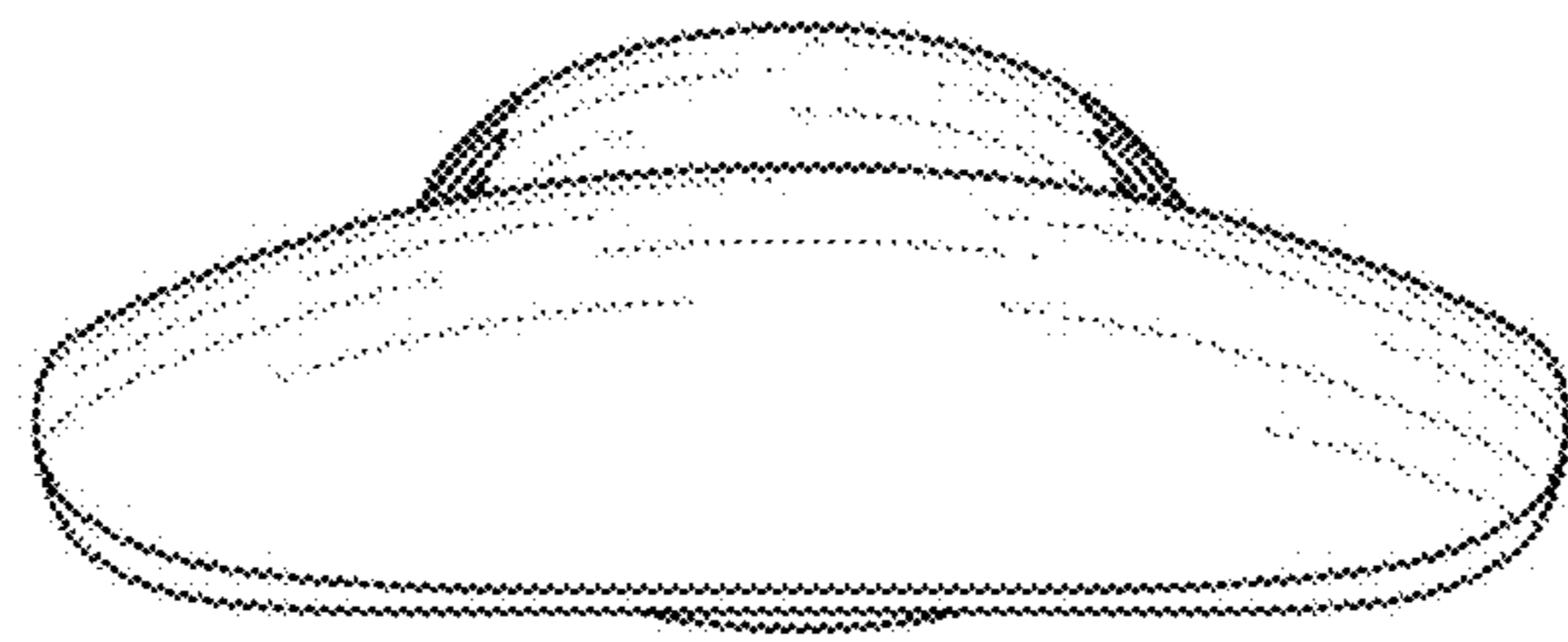


FIG. 5

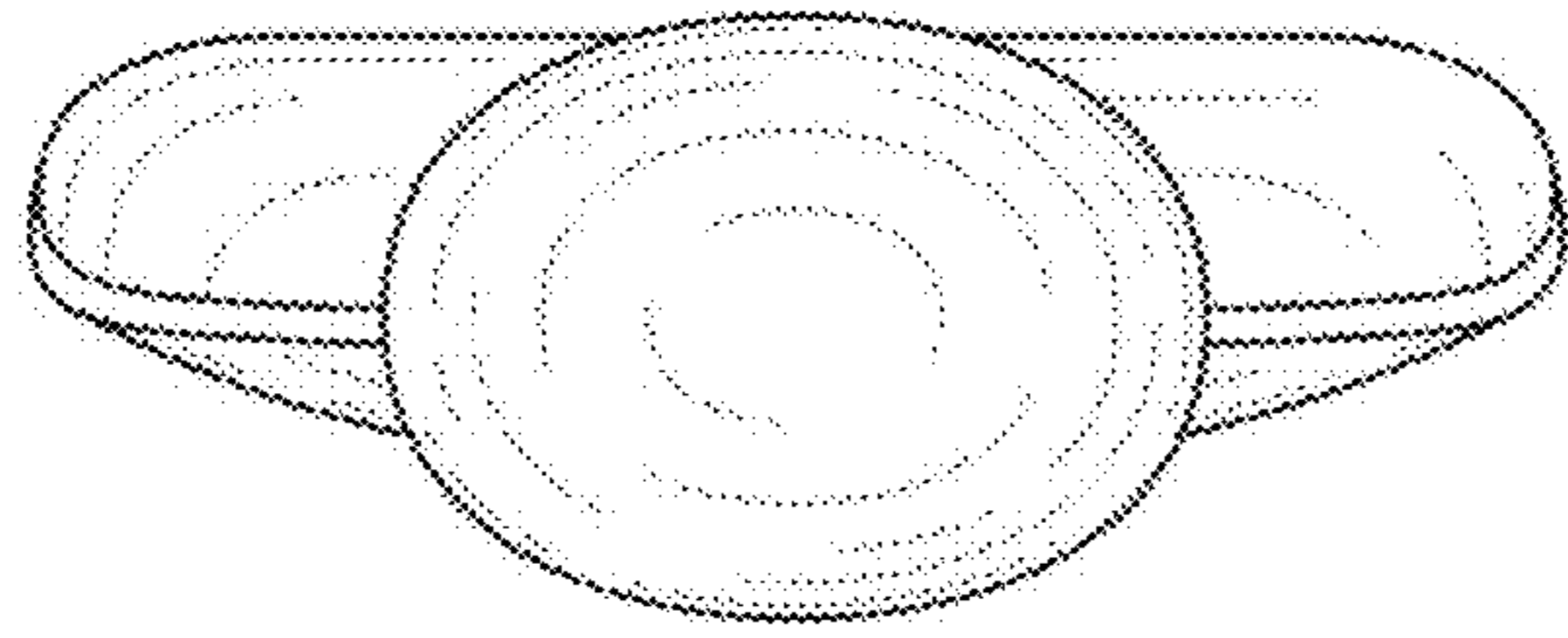


FIG. 6