



US00D908445S

(12) **United States Design Patent**  
**Stuart et al.**

(10) **Patent No.:** **US D908,445 S**

(45) **Date of Patent:** **\*\* Jan. 26, 2021**

(54) **COUNTERTOP BOTTLE HOLDER**

(71) Applicants: **Brandon Stuart**, El Segundo, CA (US);  
**Andrew Doan**, Danville, CA (US)

(72) Inventors: **Brandon Stuart**, El Segundo, CA (US);  
**Andrew Doan**, Danville, CA (US)

(73) Assignee: **EIGHT3 Ventures, LLC.**, Danville,  
CA (US)

(\*\*) Term: **15 Years**

(21) Appl. No.: **29/696,322**

(22) Filed: **Jun. 26, 2019**

(51) **LOC (13) Cl.** ..... **07-06**

(52) **U.S. Cl.**  
USPC ..... **D7/619.1; D8/34**

(58) **Field of Classification Search**  
USPC ..... D7/619.1-625; D8/33, 34, 40  
CPC ..... B60N 3/10; B60N 3/101; A47G 23/0241;  
A47G 23/0216; A47G 2400/08  
See application file for complete search history.

(56) **References Cited**

**U.S. PATENT DOCUMENTS**

2,064,381	A	8/1934	Mccolgan	
2,127,301	A	4/1937	Andrew	
2,673,481	A	2/1950	Hanson	
2,704,444	A *	3/1955	Carew	A47G 23/0216 220/1.5
3,999,261	A	12/1976	Bingaman	
4,262,560	A	4/1981	Hoffberger	
D330,995	S	11/1992	Hartman	
D332,551	S *	1/1993	Fields	D7/524
D360,114	S *	7/1995	Whiteside, Jr.	D7/619.1
D404,970	S *	2/1999	Asberg	D7/511
5,961,086	A	10/1999	Moore	
D429,121	S *	8/2000	Hasz	D7/619.1
6,205,888	B1	3/2001	Laudani	

6,318,683	B1	11/2001	Savoy	
6,516,687	B1	2/2003	Hile	
D488,962	S *	4/2004	Catt	D7/619.1
7,303,172	B2	12/2007	Rich	
D622,011	S	8/2010	Yowell	
D667,698	S	9/2012	Typy	
8,820,556	B2	9/2014	Khan	
D777,529	S	1/2017	Kellow, Jr.	
D789,157	S	6/2017	Esposito	
D817,762	S	5/2018	French	
2002/0079417	A1	6/2002	Rousselet	
2008/0229885	A1	9/2008	Mah	
2015/0129598	A1	5/2015	Rogers	
2017/0283231	A1	10/2017	Figa	

**OTHER PUBLICATIONS**

Sourced from Internet: [https://www.healthproductsforyou.com/p-spill-not-jar-and-bottle-opener.html?gclid=EAlaIQobChMI5LHym7Kd6QIVWxitBh2leASqEAQYASABegJORPD\\_BwE](https://www.healthproductsforyou.com/p-spill-not-jar-and-bottle-opener.html?gclid=EAlaIQobChMI5LHym7Kd6QIVWxitBh2leASqEAQYASABegJORPD_BwE).

(Continued)

*Primary Examiner* — Terry A Wallace

(74) *Attorney, Agent, or Firm* — Judd M. Patton, Esq.

(57) **CLAIM**

We claim the ornamental design for a countertop bottle holder, as shown and described.

**DESCRIPTION**

FIG. 1 is a top perspective view of the countertop bottle holder.

FIG. 2 is a bottom perspective view thereof.

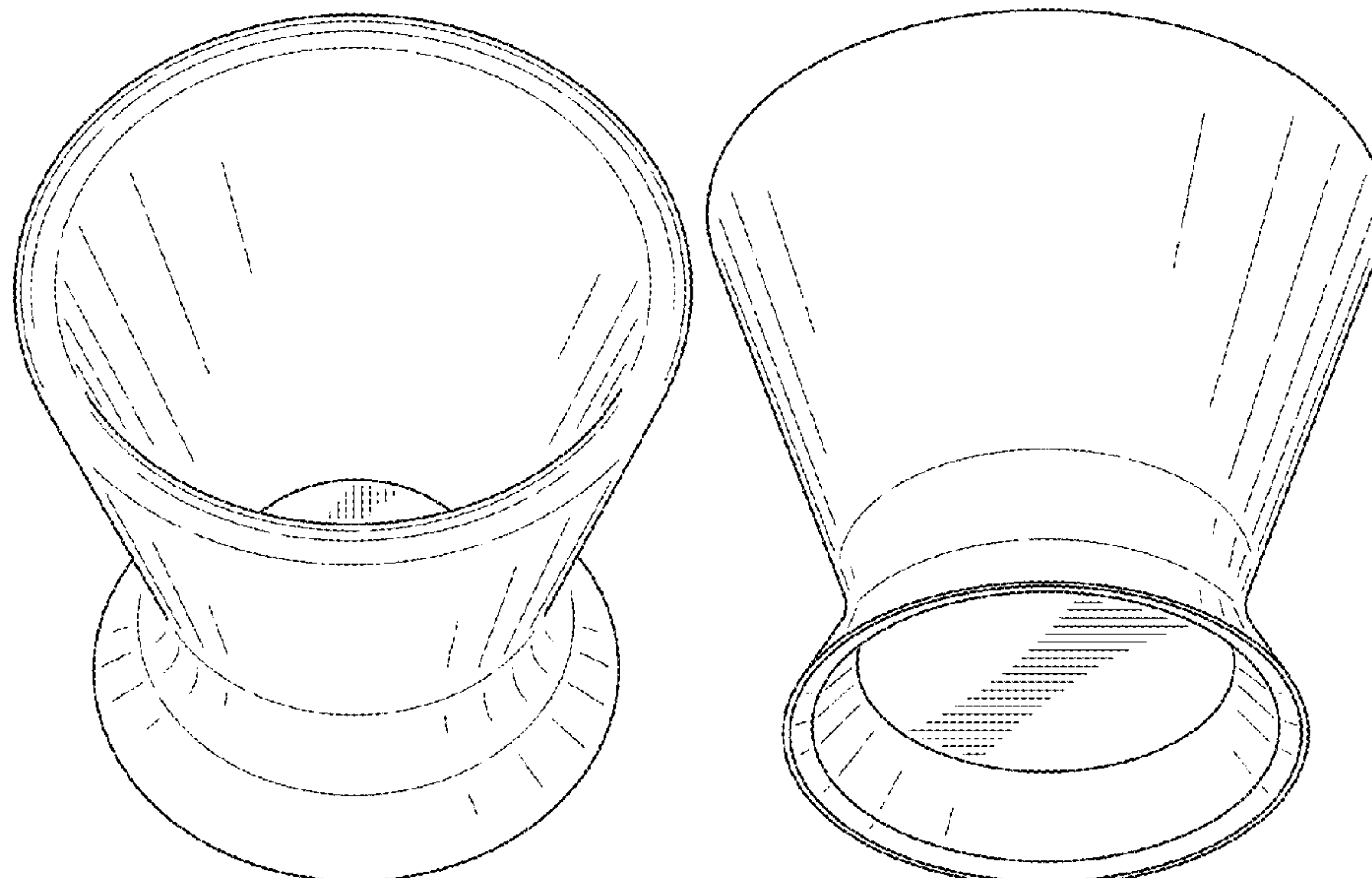
FIG. 3 is a front view of the countertop bottle holder with the rear view being a mirror image thereof.

FIG. 4 is a top plan view of the countertop bottle holder.

FIG. 5 is a bottom view of the countertop bottle holder; and,

FIG. 6 is a cross section view thereof taken along line 6-6 of FIG. 4.

**1 Claim, 2 Drawing Sheets**



(56)

**References Cited**

OTHER PUBLICATIONS

Sourced from Internet: <https://www.amazon.com/Dycem-50-1650B-Non-Slip-Shaped-Diameter/dp/B01M6C8YW4>.

Sourced from Internet: <https://www.amazon.com/Baby-Stroller-Parent-Cup-Holders/b?ie=UTFUnode=8446249011>.

Sourced from Internet: <https://www.amazon.com/The-Wright-Stuff-SoloGrip-One-Handed/dp/B00EQDOOV8>.

Sourced from Internet: <https://www.performhealth.com.au/Product/info/PAT-AA5090>.

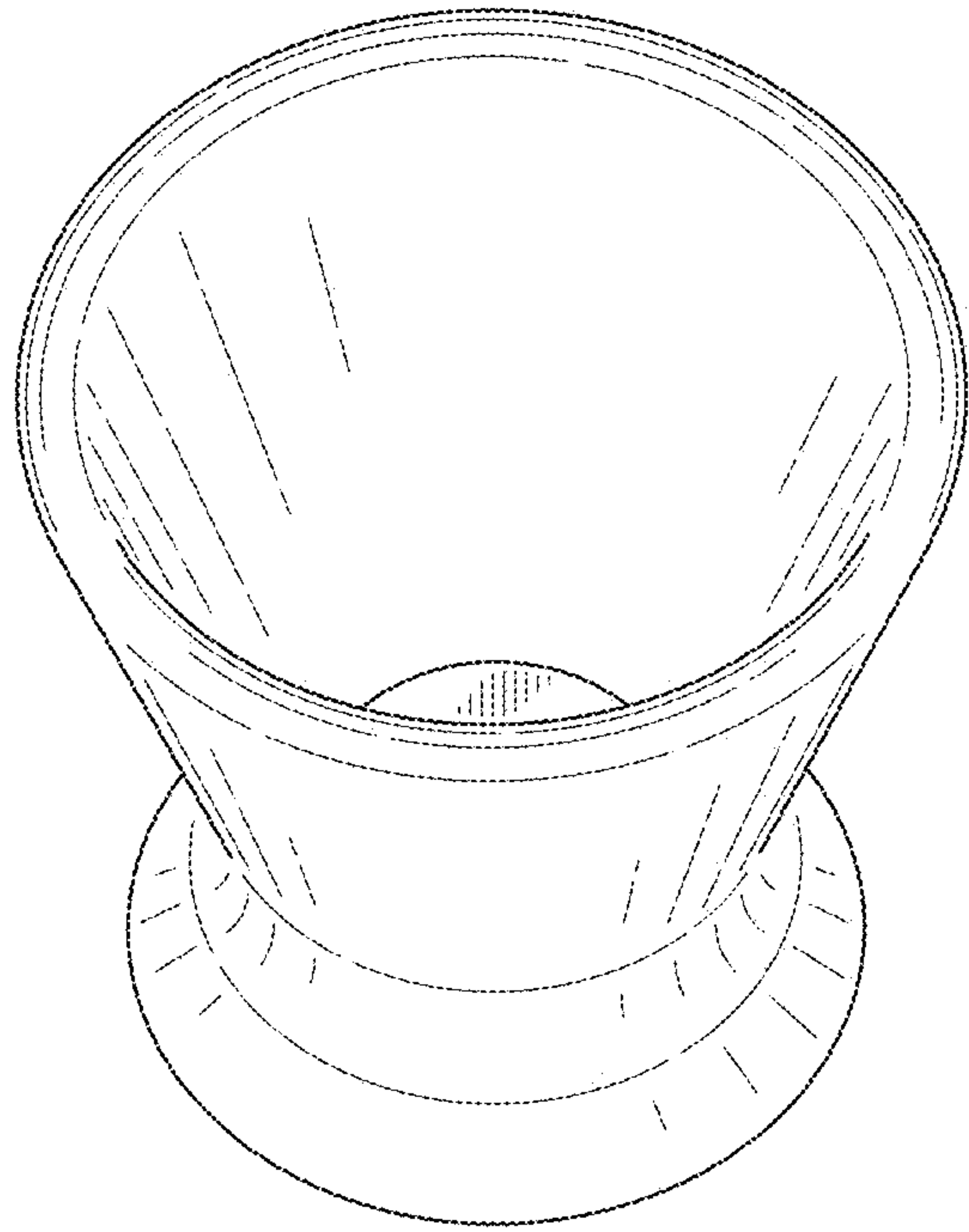
Sourced from Internet: [https://www.google.com/search?source=univ&tbm=isch&q=drink+trayz&sa=X&ved=2ahUKEwi4xu2htJ3pAhWWqZ4KHdoECRcQsAR6BAgEEAE&biw=2560&bih=1249#imgrc=glK\\_4\\_i054MjhM](https://www.google.com/search?source=univ&tbm=isch&q=drink+trayz&sa=X&ved=2ahUKEwi4xu2htJ3pAhWWqZ4KHdoECRcQsAR6BAgEEAE&biw=2560&bih=1249#imgrc=glK_4_i054MjhM).

Sourced from Internet: <https://www.fab-ent.com/adl/dycem-non-slip/dycem-non-slip-material-openers/>.

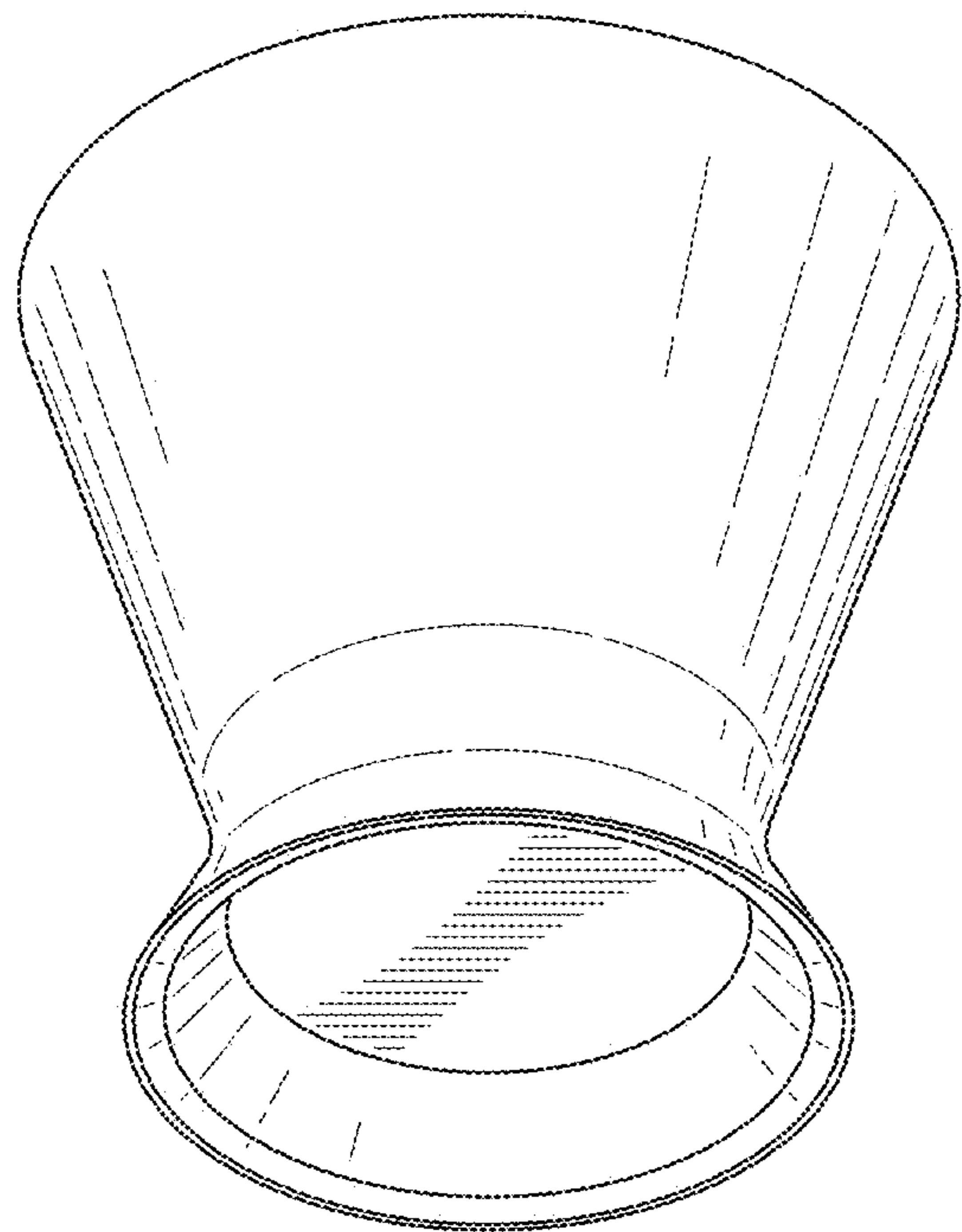
Sourced from Internet: <https://www.thisiswhyimbroke.com/one-handed-jar-opener/>.

<https://www.amazon.com/Hamilton-Beach-Automatic-Opener-76800/dp/B007P2LAAU>.

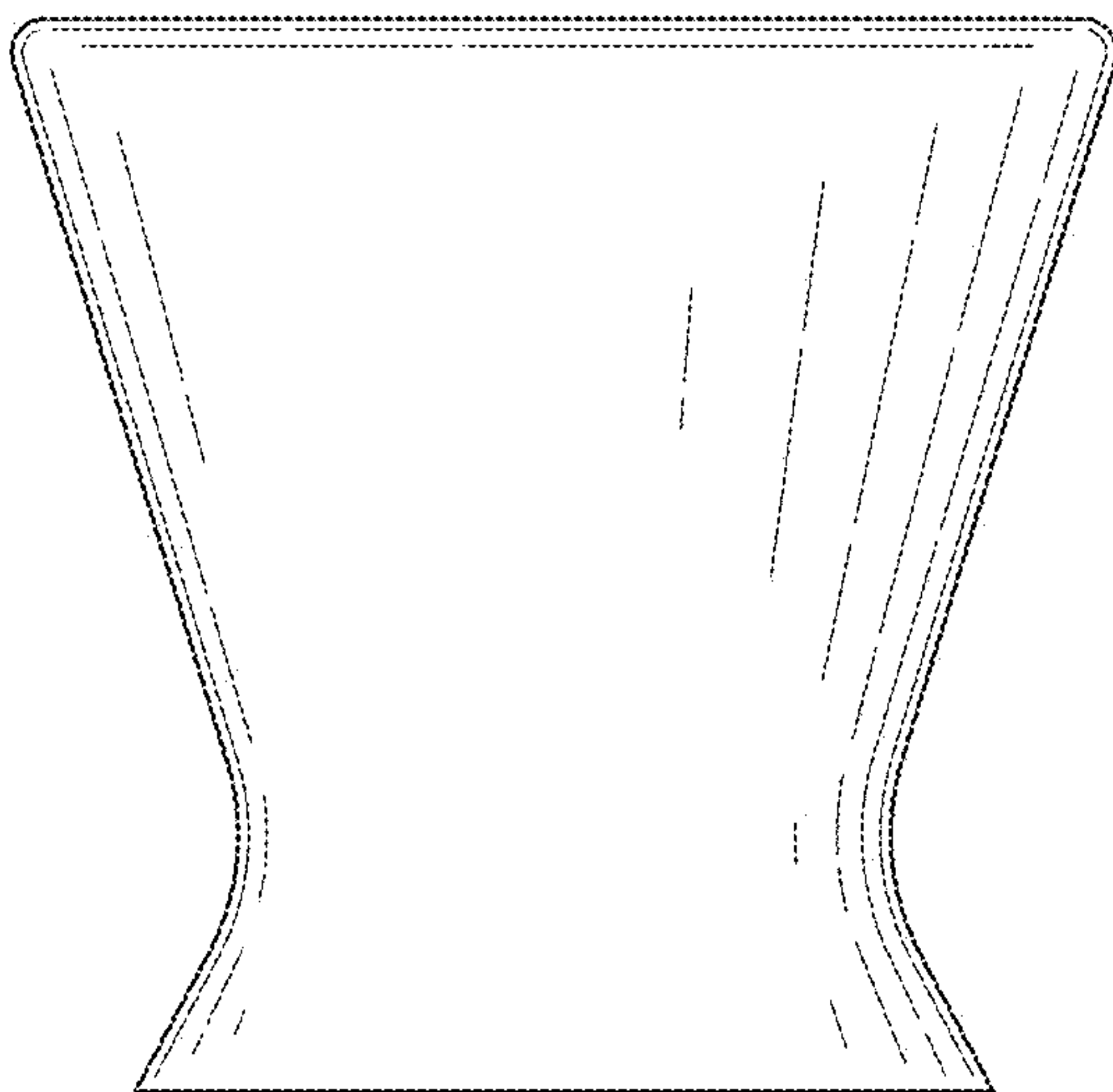
\* cited by examiner



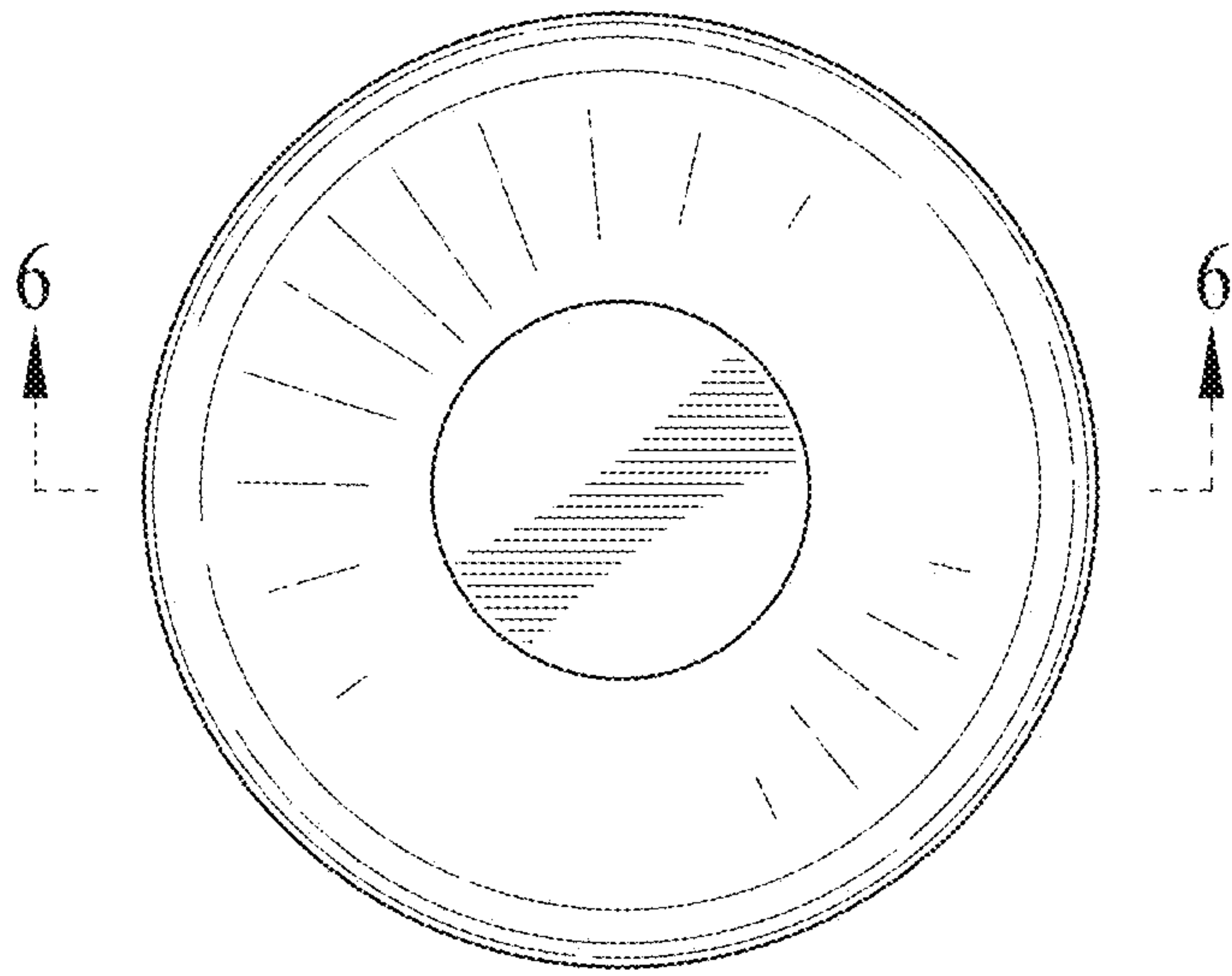
*FIG. 1*



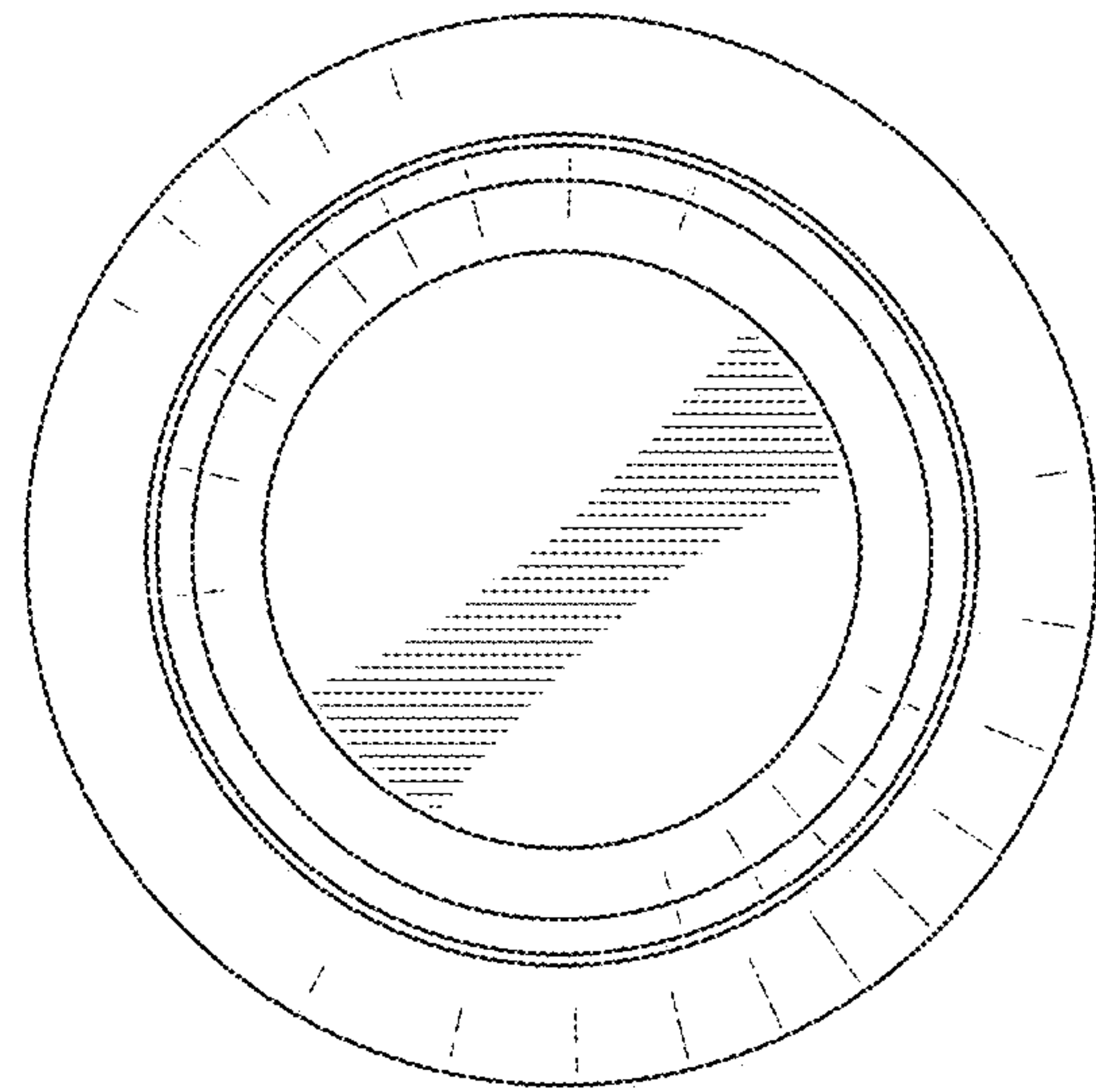
*FIG. 2*



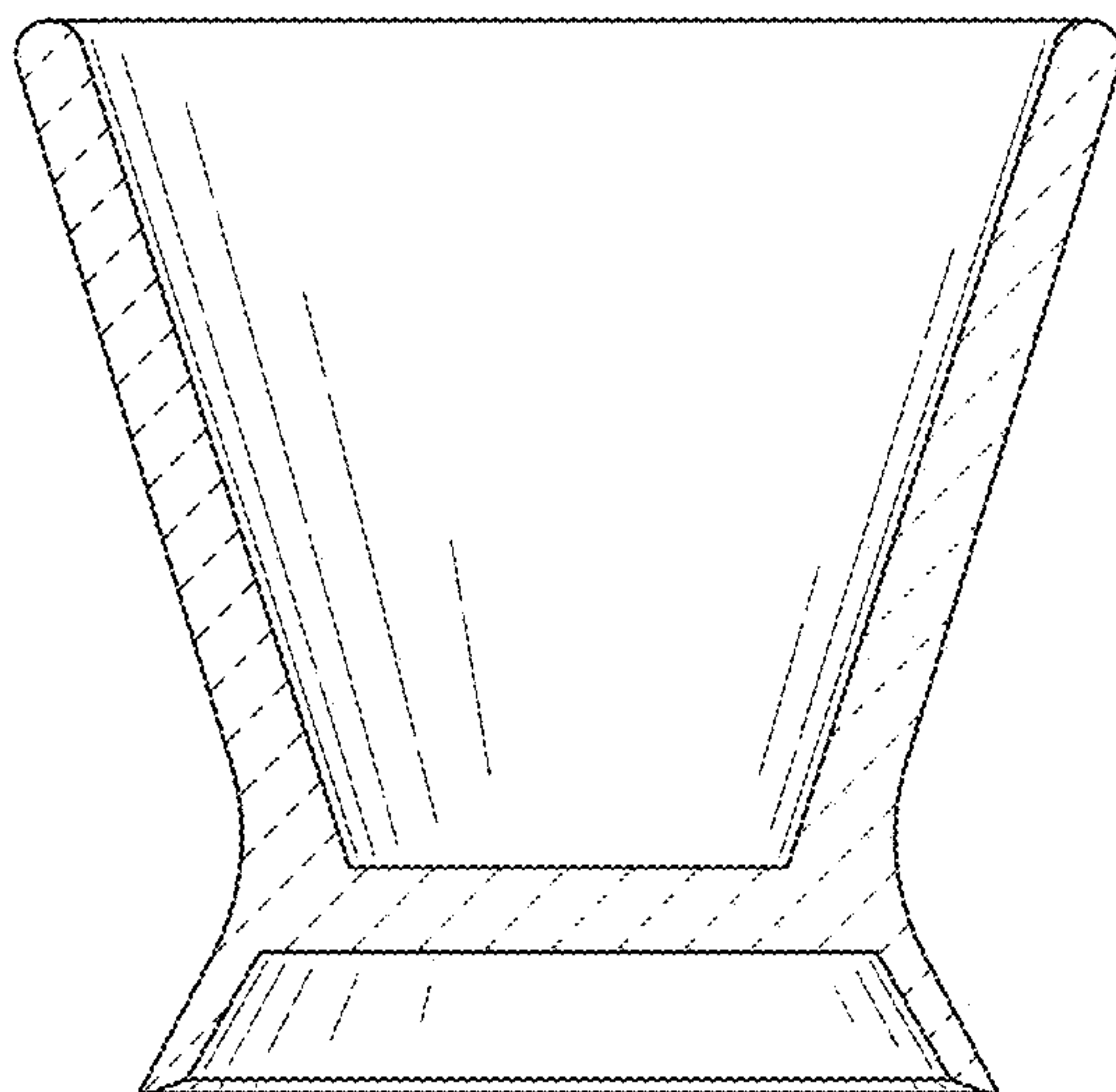
*FIG. 3*



*FIG. 4*



*FIG. 5*



*FIG. 6*