



US00D908444S

(12) **United States Design Patent**
Pape

(10) **Patent No.:** **US D908,444 S**

(45) **Date of Patent:** **** Jan. 26, 2021**

(54) **BEVERAGE HOLDER**

(71) Applicant: **MiiR Holdings, LLC**, Seattle, WA
(US)

(72) Inventor: **Bryan Pape**, Seattle, WA (US)

(**) Term: **15 Years**

(21) Appl. No.: **29/696,320**

(22) Filed: **Jun. 26, 2019**

(51) **LOC (13) Cl.** **07-07**

(52) **U.S. Cl.**

USPC **D7/608**; D7/607

(58) **Field of Classification Search**

USPC D7/500, 584, 590, 600.1, 600.2, 602,
D7/600.4, 601, 605, 607, 608, 619.1, 620,
D7/622, 624.1, 624.2, 624.3, 701, 704;
D3/306; D6/574, 571, 705, 677.1
CPC . A47F 5/01; A47F 5/02; A47F 7/0064; A47G
23/0216; A47G 23/0225; A47G 23/03;
A47G 19/02; A47G 19/025; B65D 1/24;
B65D 1/36; A45C 11/20

See application file for complete search history.

(56) **References Cited**

U.S. PATENT DOCUMENTS

D695,138 S *	12/2013	Ball	D9/435
D701,079 S *	3/2014	Arora	D7/396.2
D746,701 S *	1/2016	Pape	D9/772
D774,837 S *	12/2016	Seiders	D7/608
D857,462 S *	8/2019	Silsby	D7/608
D862,992 S *	10/2019	Wong	D7/608
2014/0061208 A1 *	3/2014	Boyd	A47J 41/0005 220/592.17

OTHER PUBLICATIONS

MiiR website, Can Chiller, Earliest comment date Sep. 28, 2019, [site visited Jun. 10, 2020], Available on the Internet URL <https://www.miiir.com/products/can-chiller> (Year: 2019).*

(Continued)

Primary Examiner — Karen S Acker

Assistant Examiner — Steven B Reinholdt, Jr.

(74) *Attorney, Agent, or Firm* — Janeway Patent Law PLLC; John M. Janeway

(57) **CLAIM**

The ornamental design for a beverage holder, as shown and described.

DESCRIPTION

FIG. 1 shows a perspective view of a first embodiment of a beverage holder showing my new design in a use configuration with environment of a can.

FIG. 2 shows a perspective view thereof without environment of a can.

FIG. 3 shows a front, elevation view thereof; all other elevation views are mirror images thereto.

FIG. 4 shows a top, plan view thereof.

FIG. 5 shows a bottom, plan view thereof.

FIG. 6 shows a perspective view of a second embodiment of the beverage holder showing my new design in a use configuration with the environment of a bottle.

FIG. 7 shows a perspective view thereof without environment.

FIG. 8 shows a front, elevation view thereof, all other elevation views are mirror images thereto.

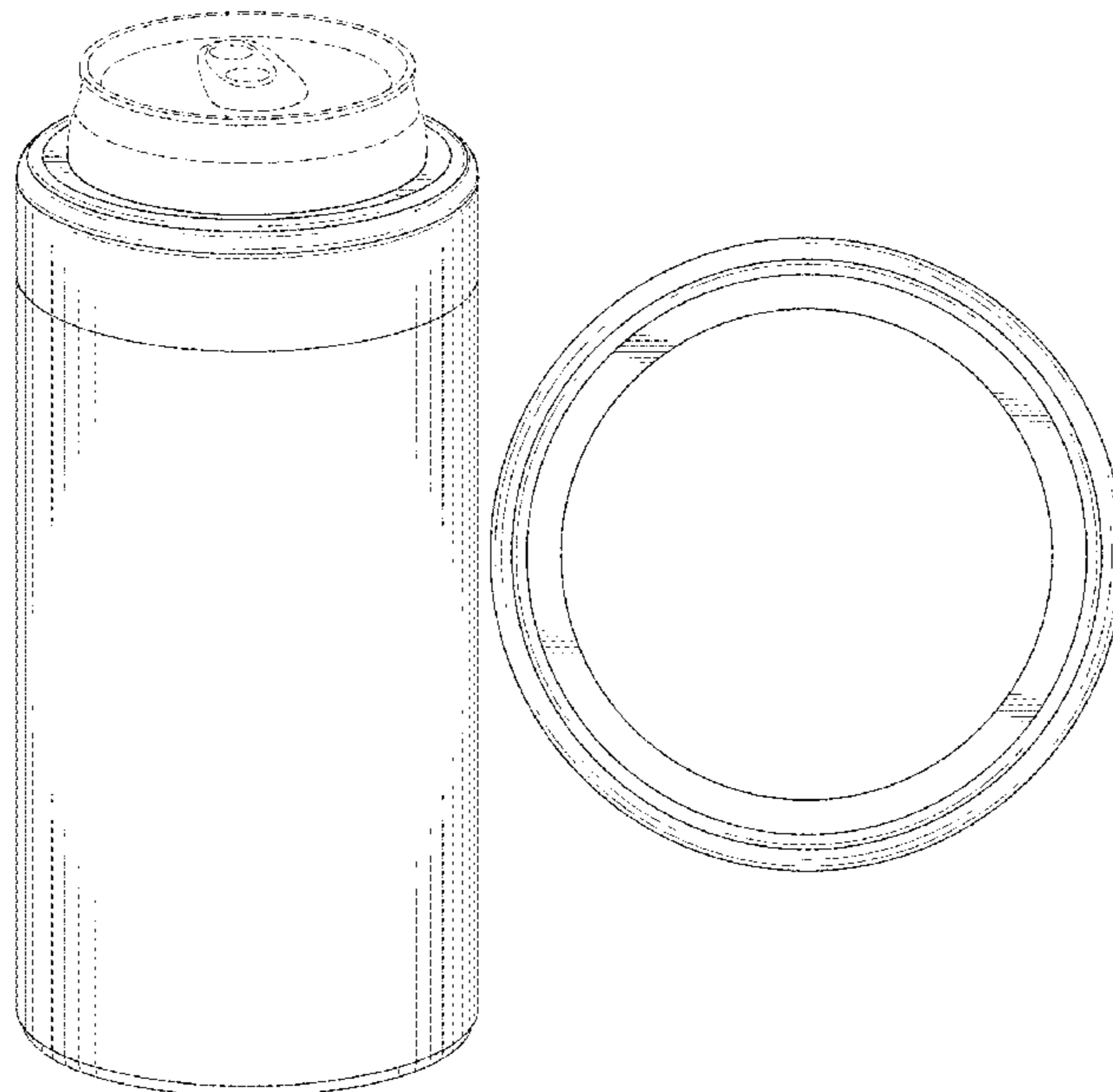
FIG. 9 shows a top, plan view thereof; and,

FIG. 10 shows a bottom, plan view thereof.

The broken lines in FIG. 1 and 6 depict environment that forms no part of the claimed design.

In FIG. 5 and in FIG. 10, the broken lines and areas adjacent to the inner solid line depict portions of the beverage holder that form no part of the claimed design.

1 Claim, 6 Drawing Sheets



(56)

References Cited

OTHER PUBLICATIONS

Amazon.com, Tahoe Trails Double Wall Vacuum Insulated Can Cooler, First available on Amazon Jun. 2, 2020, [site visited Jun. 10, 2020], Available on the Internet URL <https://www.amazon.com/dp/B072KBHSQR> (Year: 2020).*

Amazon.com, Asobu Skinny Can Cooler, Earliest comment date Apr. 13, 2020, [site visited Jun. 10, 2020], Available on the Internet URL <https://www.amazon.com/Skinny-Cooler-Insulated-Stainless-Reusable/dp/B085TPFCJY> (Year: 2020).*

Amazon.com, Yeti Rambler, Earliest comment date Apr. 4, 2018, [site visited Jun. 10, 2020], Available on the Internet URL www.amazon.com/YETI-Rambler-Colster-Bottle-Holder/dp/B01LA7ABYG (Year: 2018).*

* cited by examiner

FIG. 1

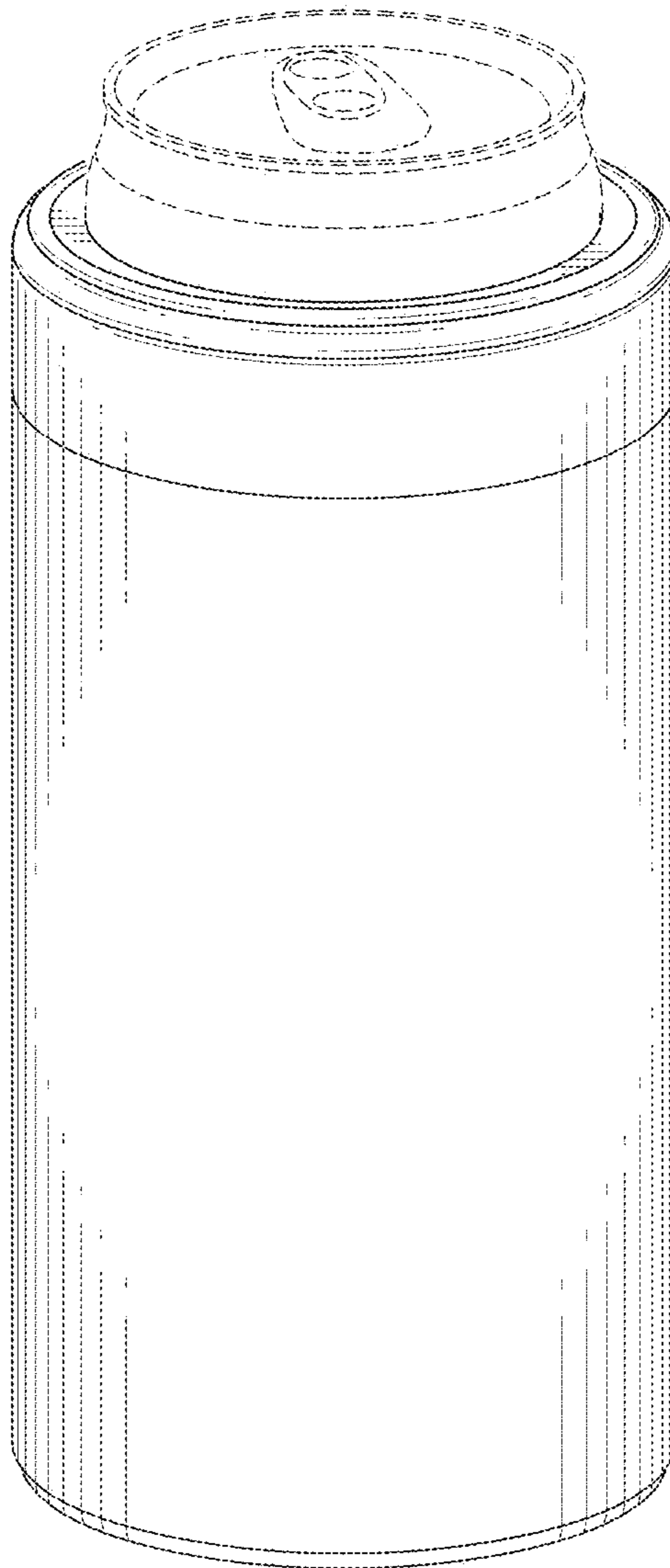


FIG. 3

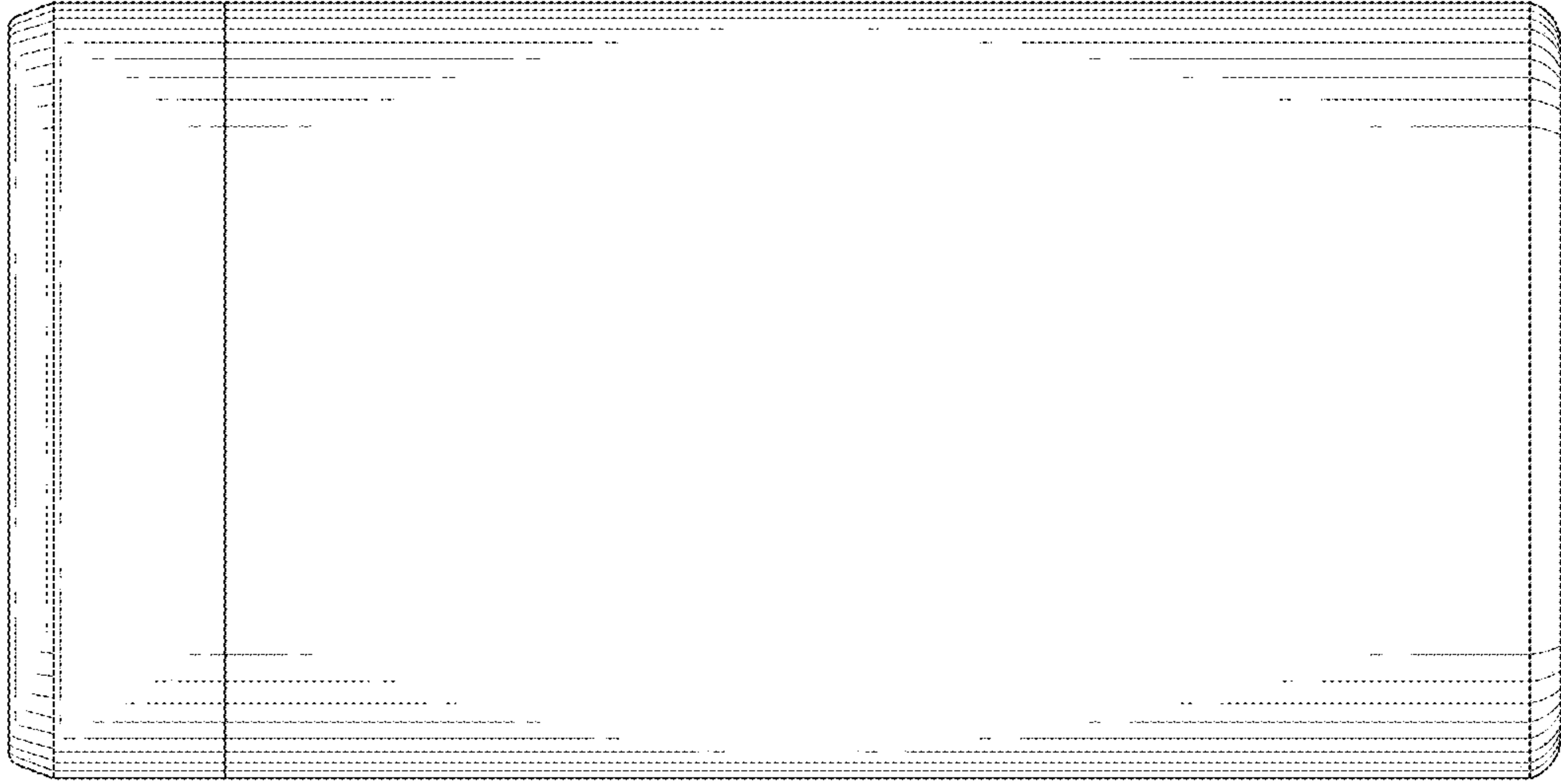


FIG. 2

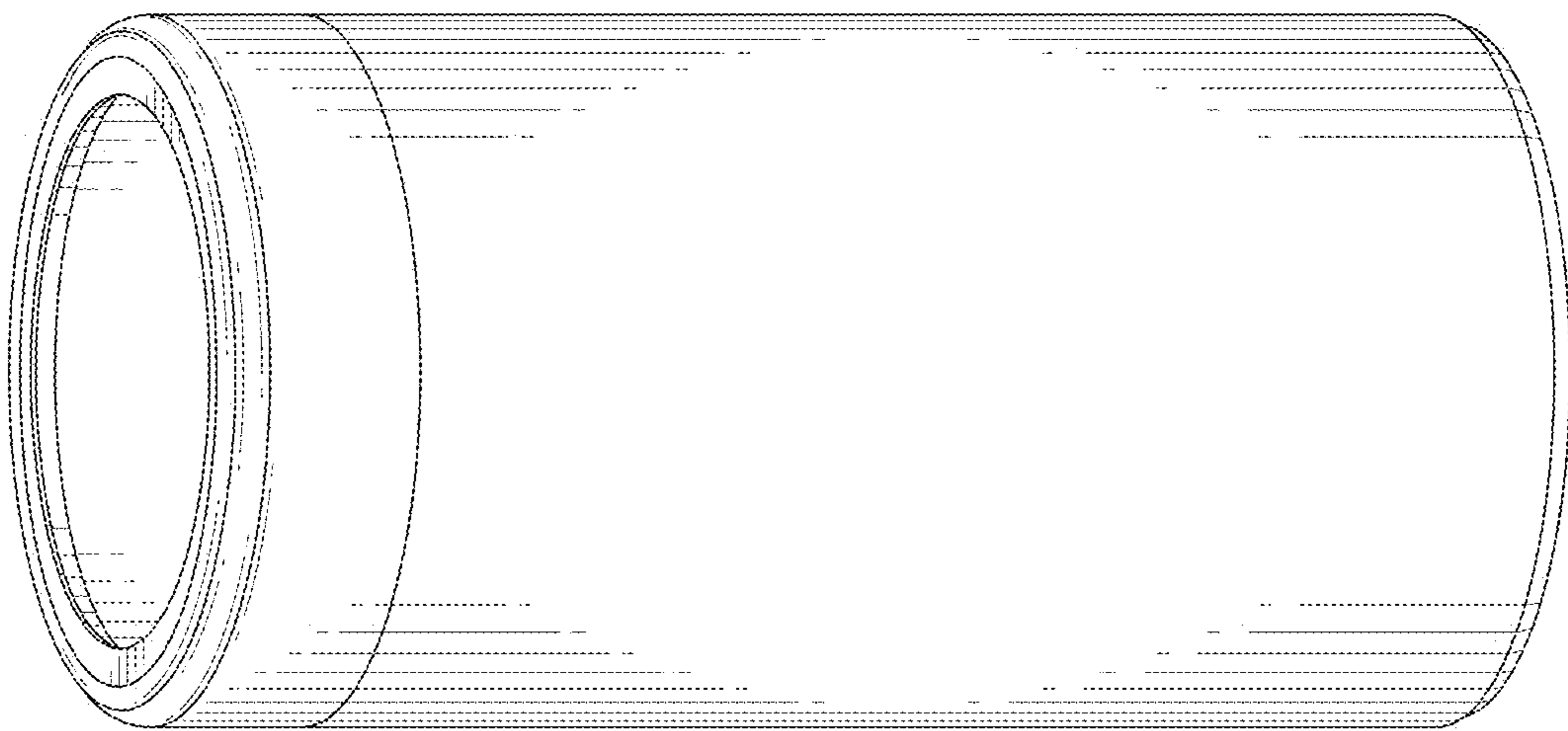


FIG. 4

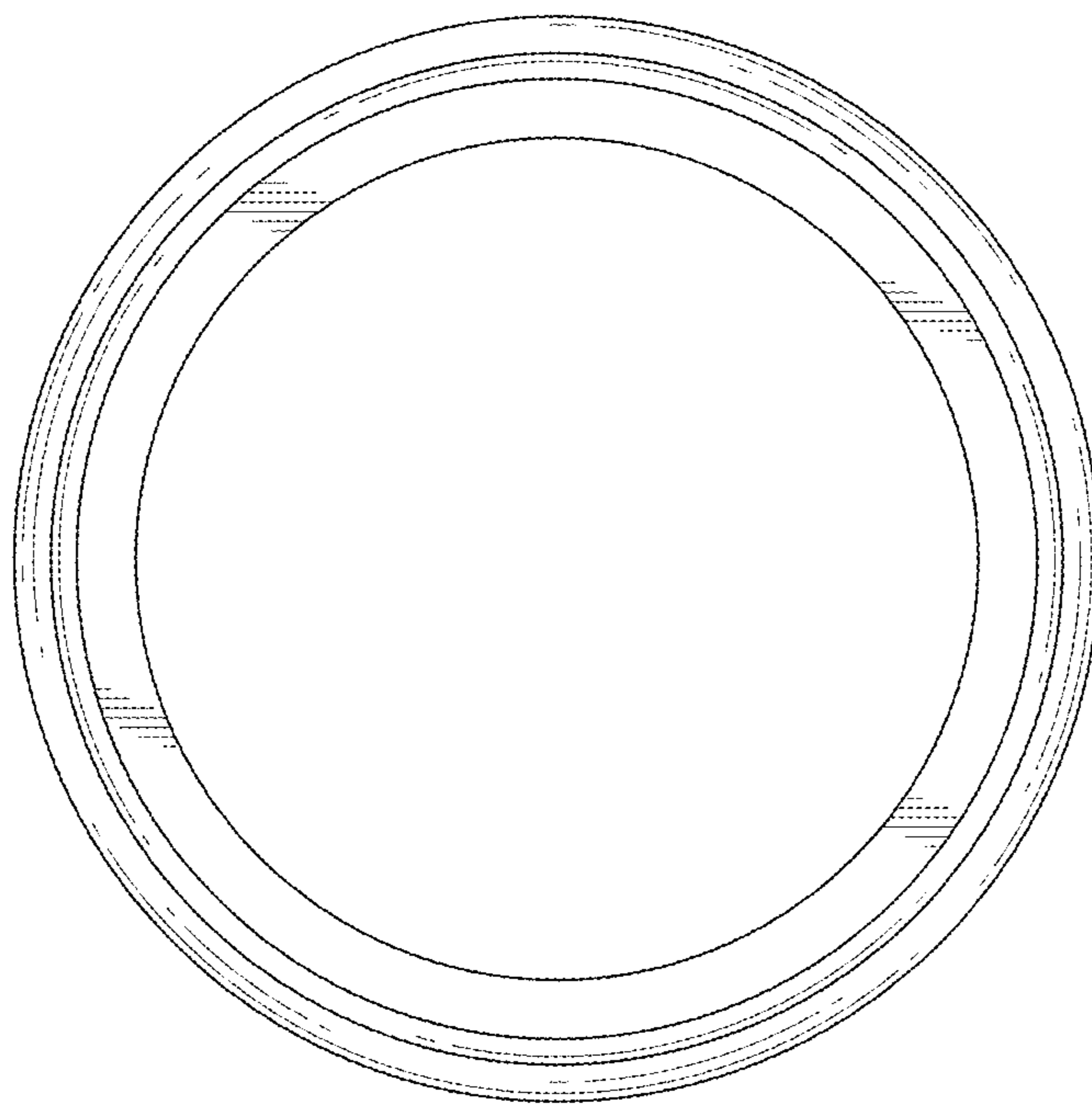


FIG. 5

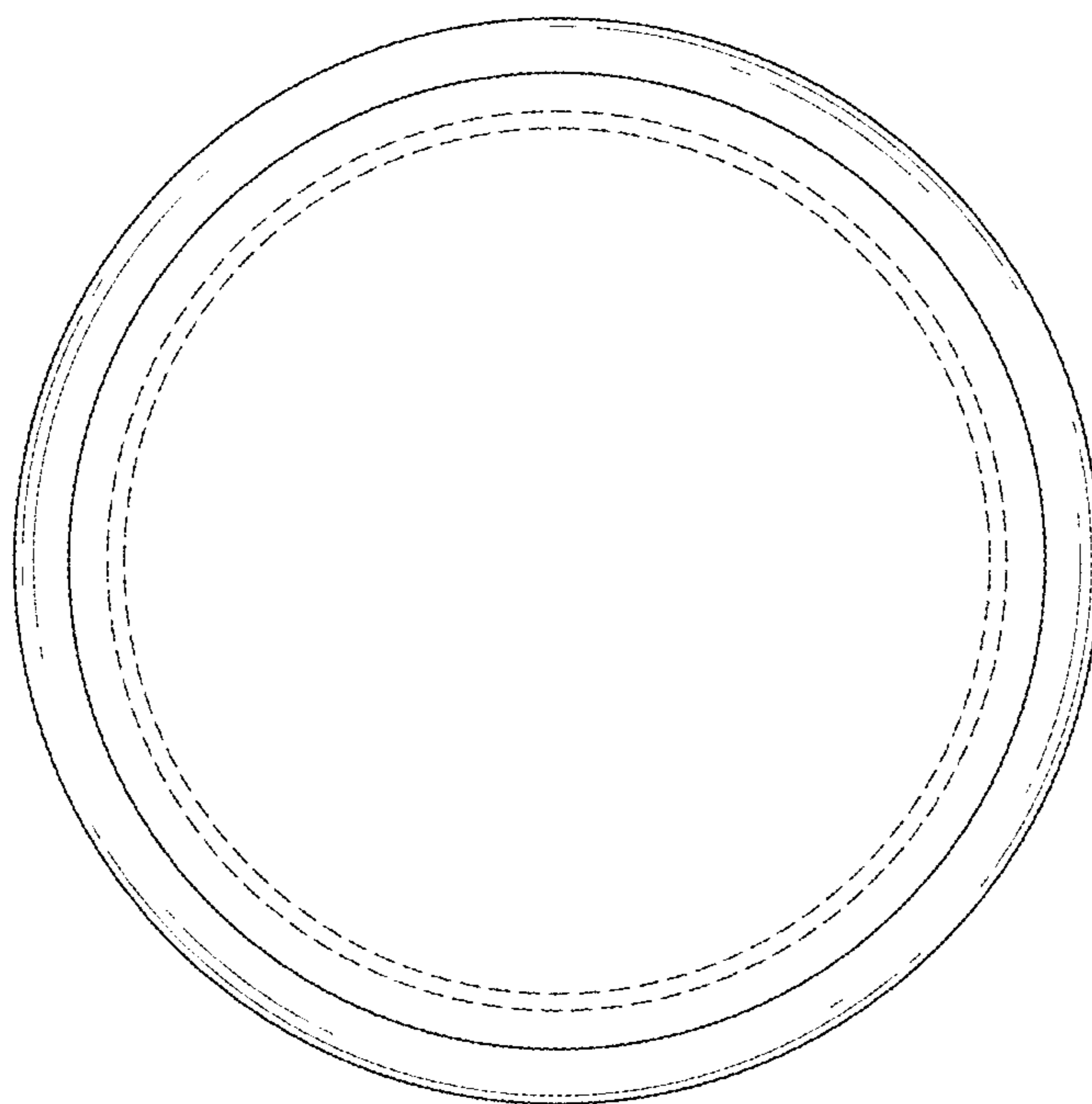


FIG. 6

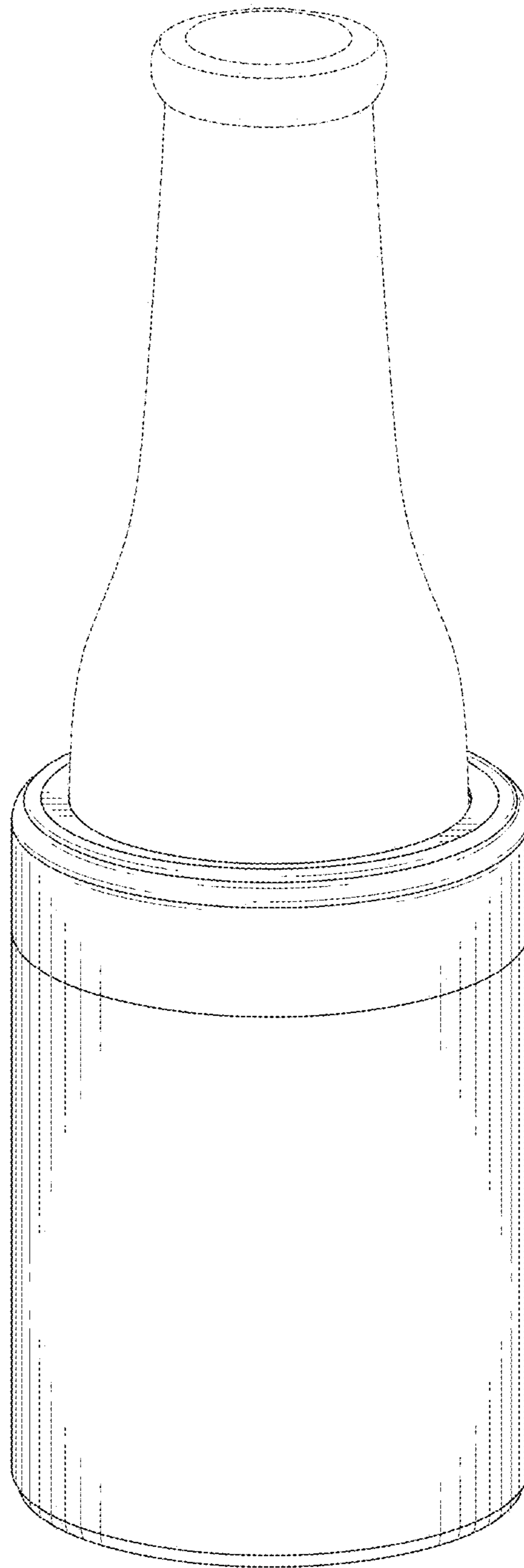


FIG. 8

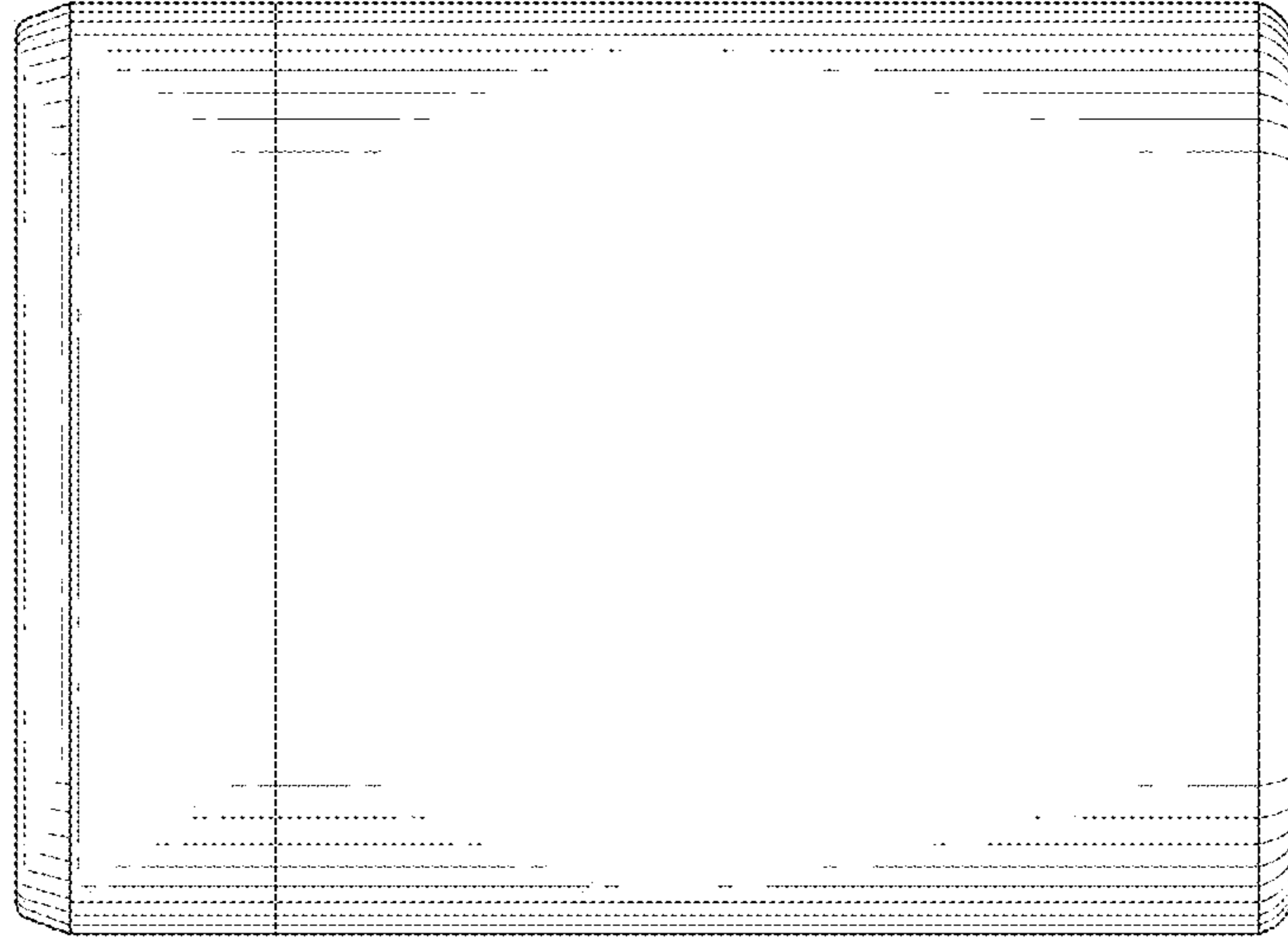


FIG. 7

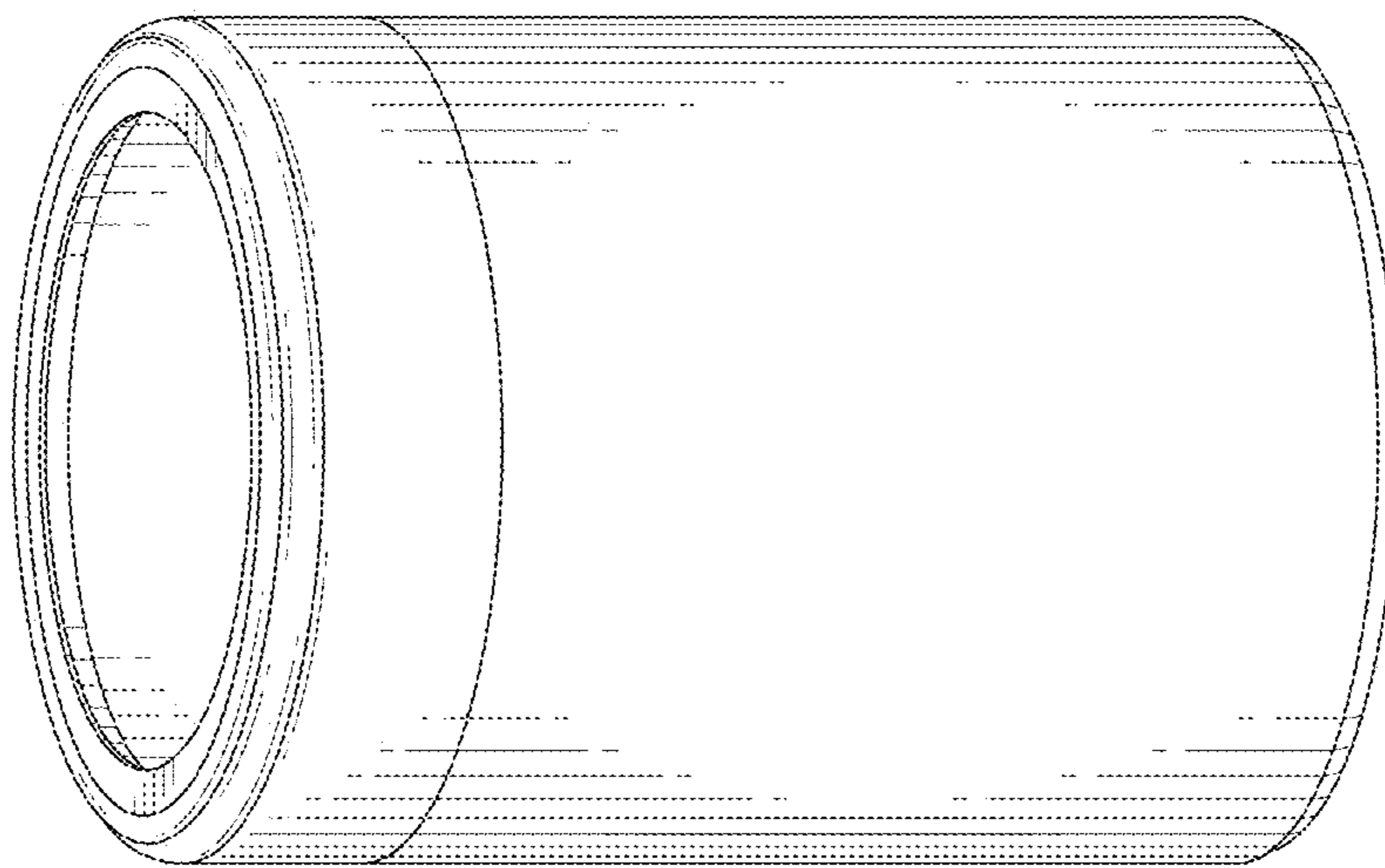


FIG. 9

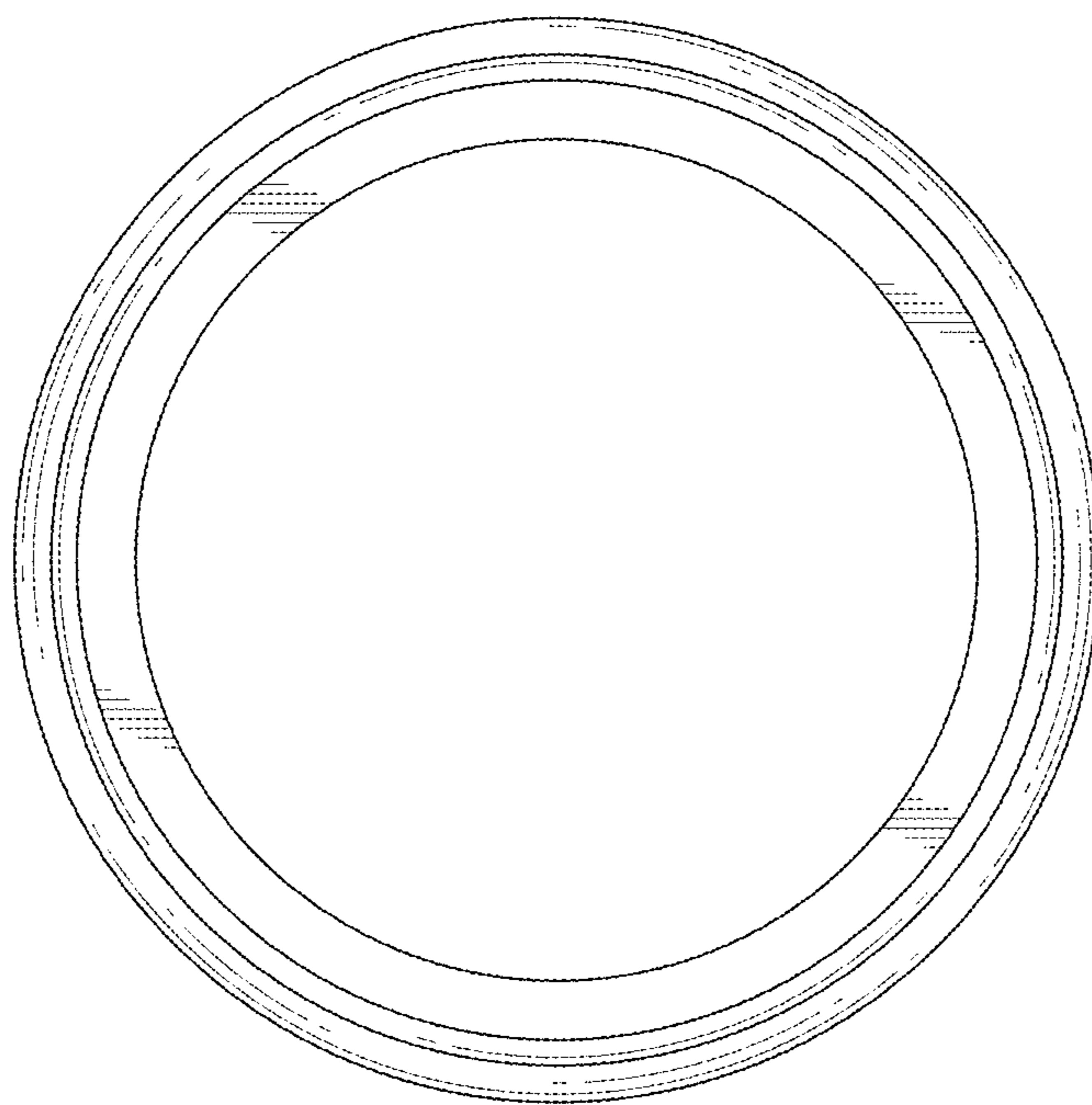


FIG. 10

