



US00D908443S

(12) **United States Design Patent**
Bell et al.

(10) **Patent No.:** **US D908,443 S**
(45) **Date of Patent:** **** Jan. 26, 2021**

- (54) **ICELESS COOLER CARRIER**
- (71) Applicant: **Furrion Property Holding Limited**,
Hong Kong (HK)
- (72) Inventors: **Steven Neill Bell**, Hong Kong (HK);
Matthew David Fidler, Dawesville
(AU); **Bernard San Lap Lo**, Hong
Kong (HK); **Wesley King Juen Tong**,
Hong Kong (HK); **Wai Sang Chan**
Vincent, Hong Kong (HK)
- (73) Assignee: **Furrion Property Holding Limited**,
Hong Kong (HK)
- (**) Term: **15 Years**
- (21) Appl. No.: **29/697,976**
- (22) Filed: **Jul. 12, 2019**
- (51) **LOC (13) Cl.** **07-01**
- (52) **U.S. Cl.**
USPC **D7/605; D34/24**
- (58) **Field of Classification Search**
USPC **D7/603–608, 629, 630; D3/272–274,**
D3/279; D15/79, 81; D34/12, 14, 17,
D34/23–27
CPC .. **A45C 11/20; A45C 9/00; A45C 5/14; A45C**
5/03; F25D 3/14; F25D 3/08; F25D 3/12;
F25D 2400/08; F25D 2400/38; F25D
2400/00; F25D 31/005; B65D 81/3813;
B65D 81/3823; B65D 81/3888; B65D
81/3889; B65D 81/3816; B65D 81/3858;
F24D 2331/804; A47J 41/022; A47G
19/2288; F25B 19/00; B62B 1/18; B62B
1/26; B62B 3/02; B62B 3/025; B62B
3/027; B62B 5/00
See application file for complete search history.

- D667,697 S * 9/2012 Shah D7/605
- 8,733,577 B2 * 5/2014 Patterson A45C 5/14
220/529
- D722,737 S * 2/2015 Kane D34/24
- 9,282,797 B1 * 3/2016 Soto A45C 13/30
- D802,630 S 11/2017 Li et al.
- 9,835,367 B2 * 12/2017 Vanderberg A45C 7/0031

(Continued)

OTHER PUBLICATIONS

Design U.S. Appl. No. 29/675,709, filed Jan. 4, 2019, 16 pages.
Design U.S. Appl. No. 29/696,582, filed Jun. 28, 2019, 8 pages.

Primary Examiner — Terry A Wallace

(74) *Attorney, Agent, or Firm* — Faegre Drinker Biddle &
Reath LLP

(57) **CLAIM**

The ornamental design for an iceless cooler carrier, as shown
and described.

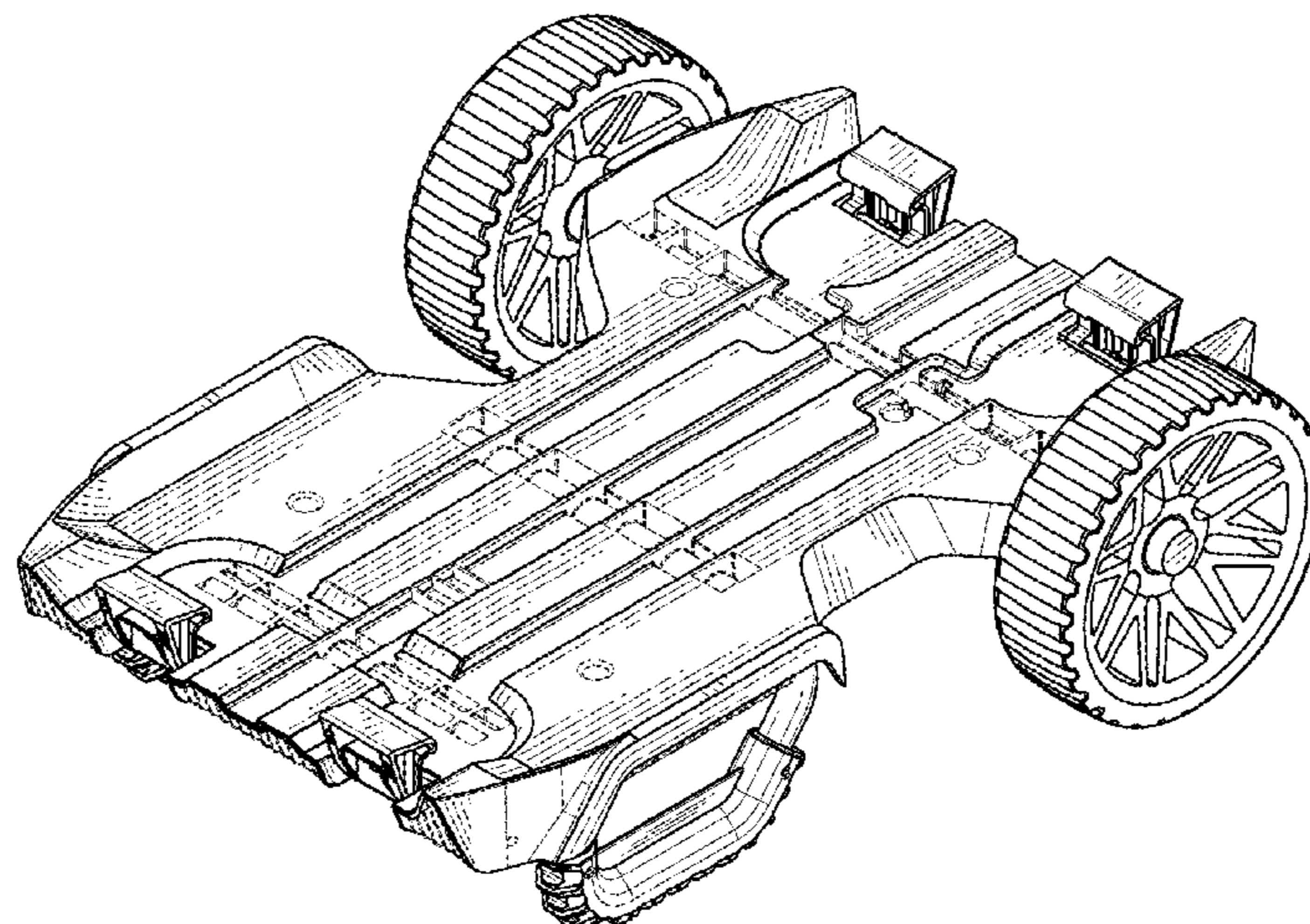
DESCRIPTION

FIG. 1 is a front perspective view of an iceless cooler carrier,
illustrating our new design;
FIG. 2 is a front elevation view thereof;
FIG. 3 is a rear elevation view thereof;
FIG. 4 is a left side elevation view thereof;
FIG. 5 is a right side elevation view thereof;
FIG. 6 is a top plan view thereof;
FIG. 7 is a bottom plan view thereof; and,
FIG. 8 is another front perspective view of the iceless cooler
carrier carrying an iceless cooler.
The evenly-sized broken lines in FIGS. 1-8 illustrate por-
tions of the iceless cooler carrier that form no part of the
claimed design. The long-short broken lines in FIG. 8
illustrate an environment of an iceless cooler that forms no
part of the claimed design.

1 Claim, 6 Drawing Sheets

(56) **References Cited**
U.S. PATENT DOCUMENTS

- 5,407,218 A * 4/1995 Jackson A45C 5/14
280/30
- 8,069,939 B1 * 12/2011 Metzler B62B 3/007
180/19.3



(56)

References Cited

U.S. PATENT DOCUMENTS

D822,721	S	7/2018	Tschopp	
D826,510	S *	8/2018	Brunner	D34/24
D828,408	S	9/2018	Huang	
D828,672	S *	9/2018	Lyytikainen	D34/24
D829,244	S	9/2018	Sullivan et al.	
10,071,303	B2 *	9/2018	Pikulski	A63C 17/016
D836,993	S	1/2019	Meda et al.	
10,272,934	B2 *	4/2019	DeFrancia	B62B 1/12
D851,138	S	6/2019	Murobayashi et al.	
D855,667	S	8/2019	Shu et al.	
D862,528	S	10/2019	Sullivan et al.	
2008/0179847	A1 *	7/2008	DeFrancia	B62B 1/26 280/47.26
2013/0193673	A1 *	8/2013	Vanderberg	B62B 5/067 280/655
2014/0197059	A1 *	7/2014	Evans	B25H 3/02 206/349
2018/0015938	A1 *	1/2018	DeFrancia	B62B 5/067
2019/0216193	A1 *	7/2019	Kabalin	B60B 3/001

* cited by examiner

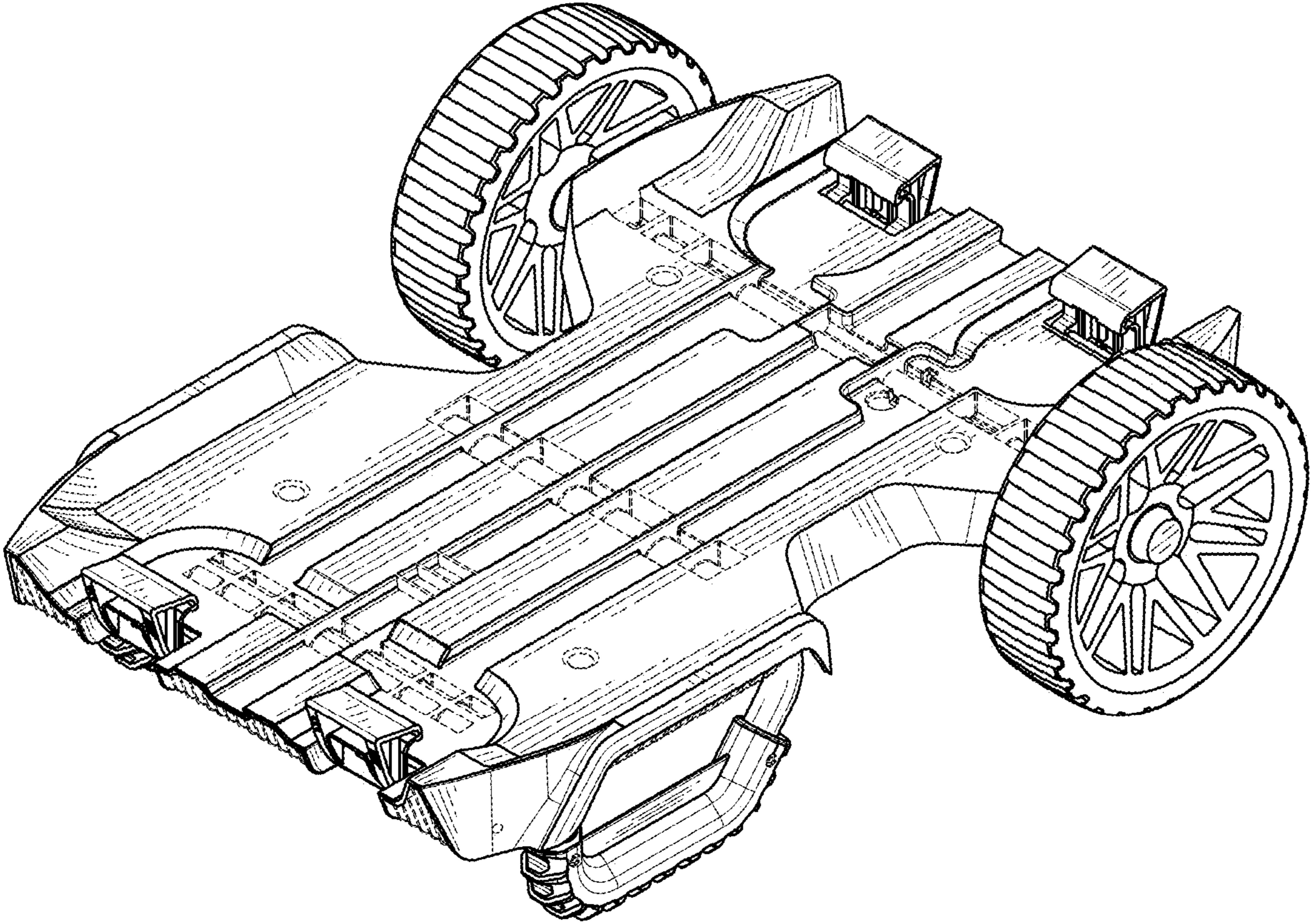


FIG. 1

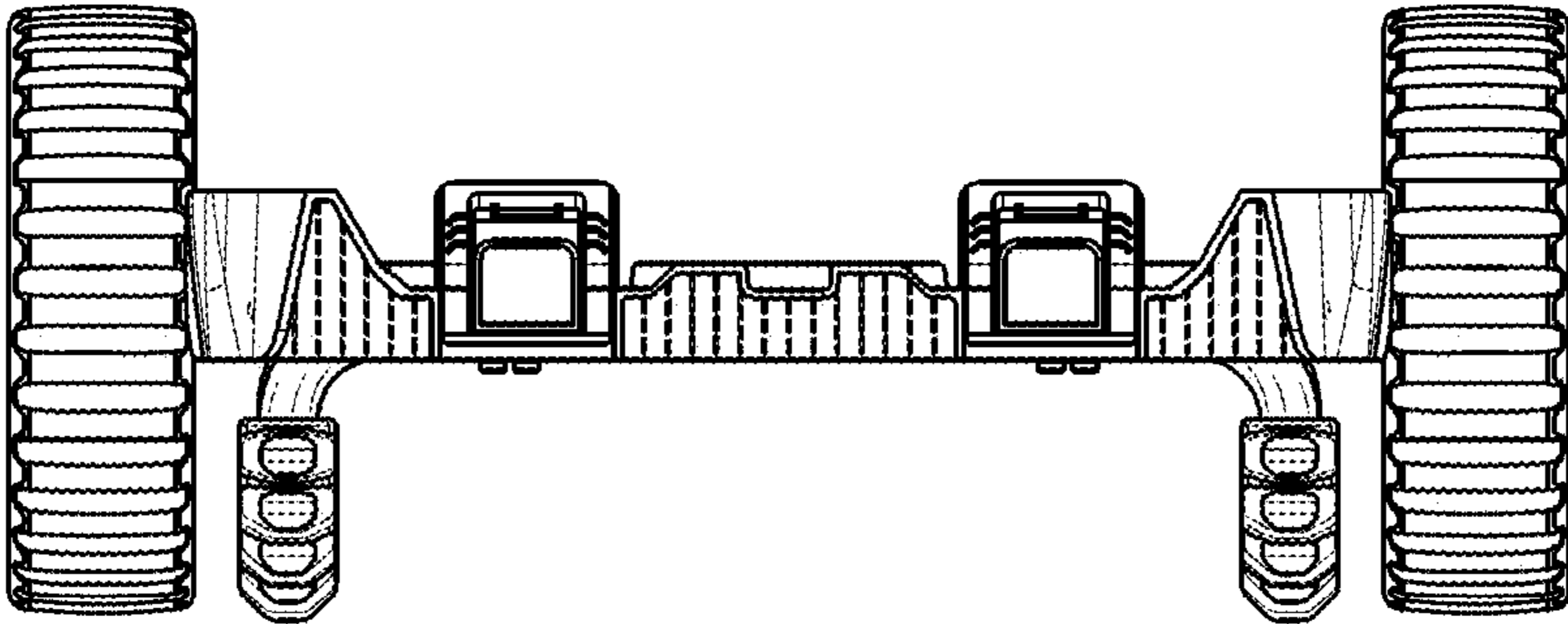


FIG. 2

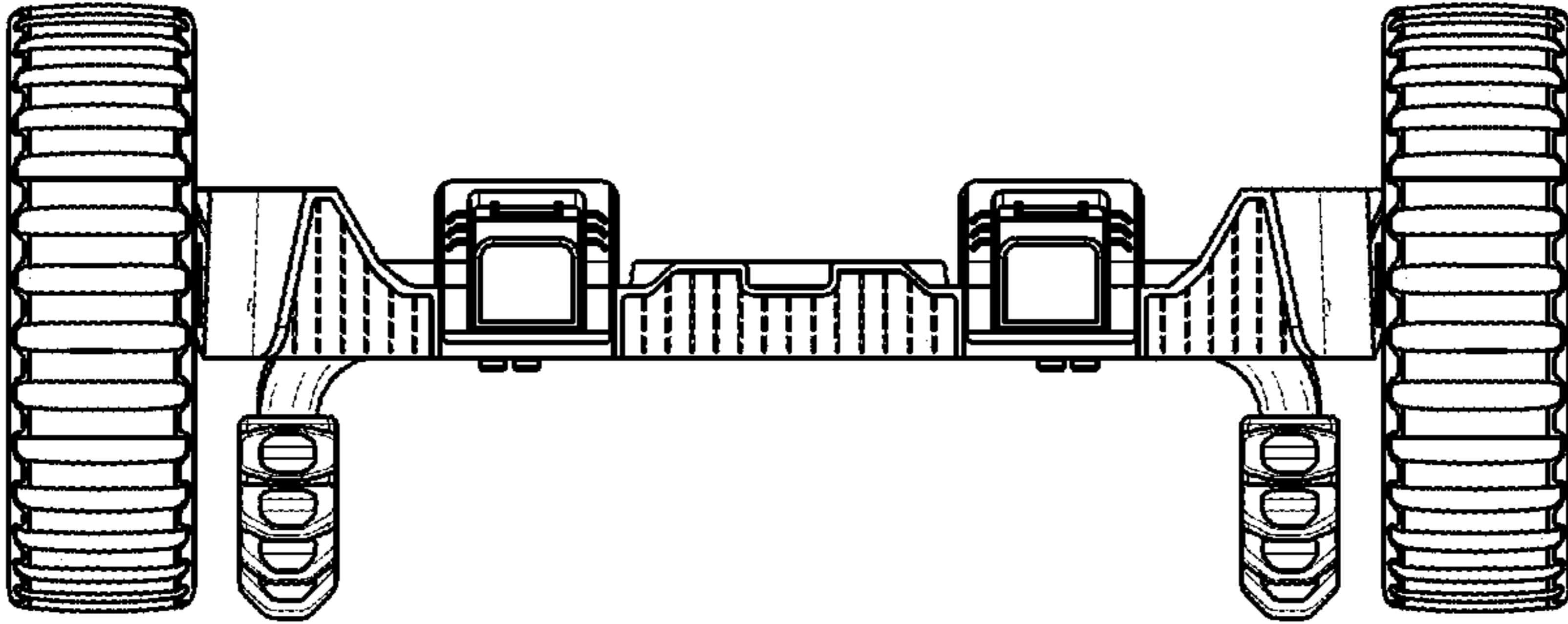


FIG. 3

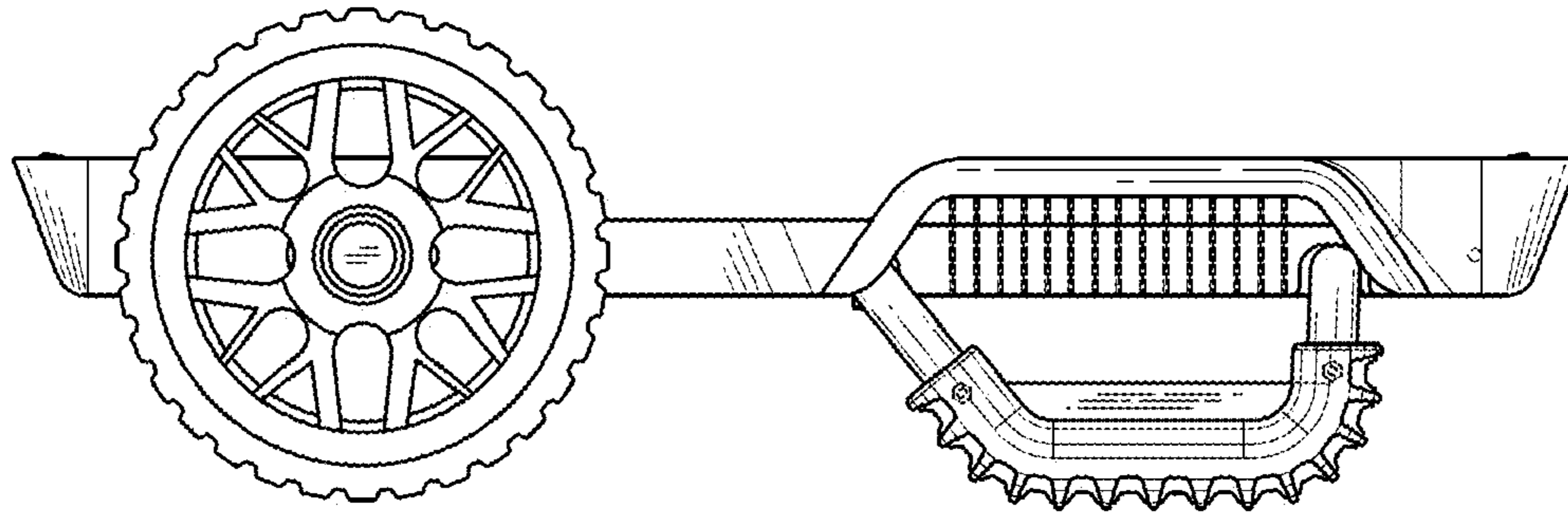


FIG. 4

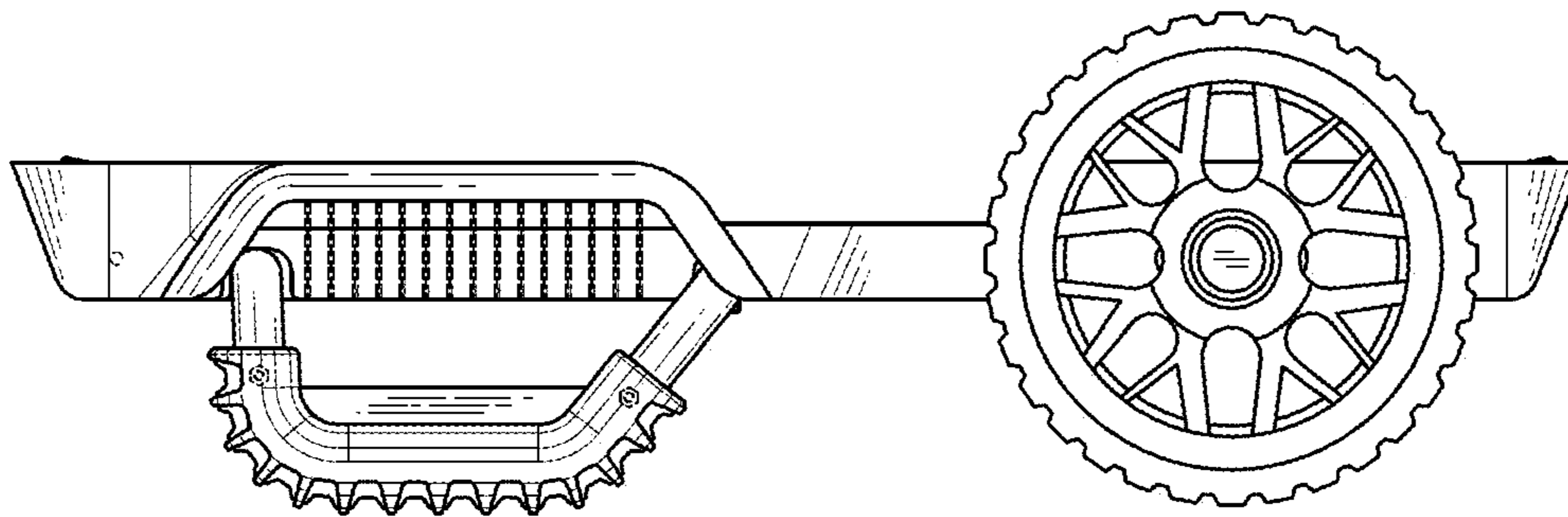


FIG. 5

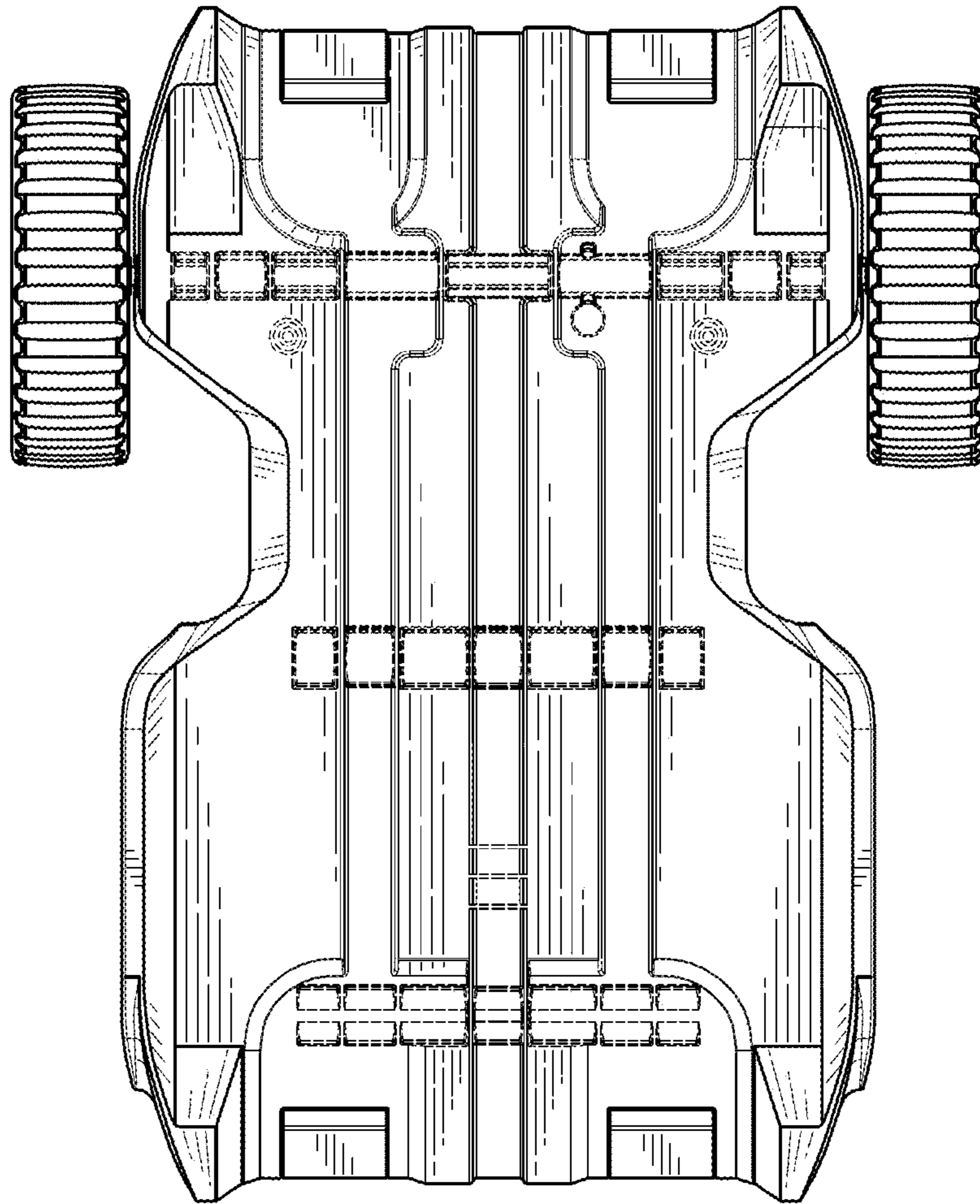


FIG. 6

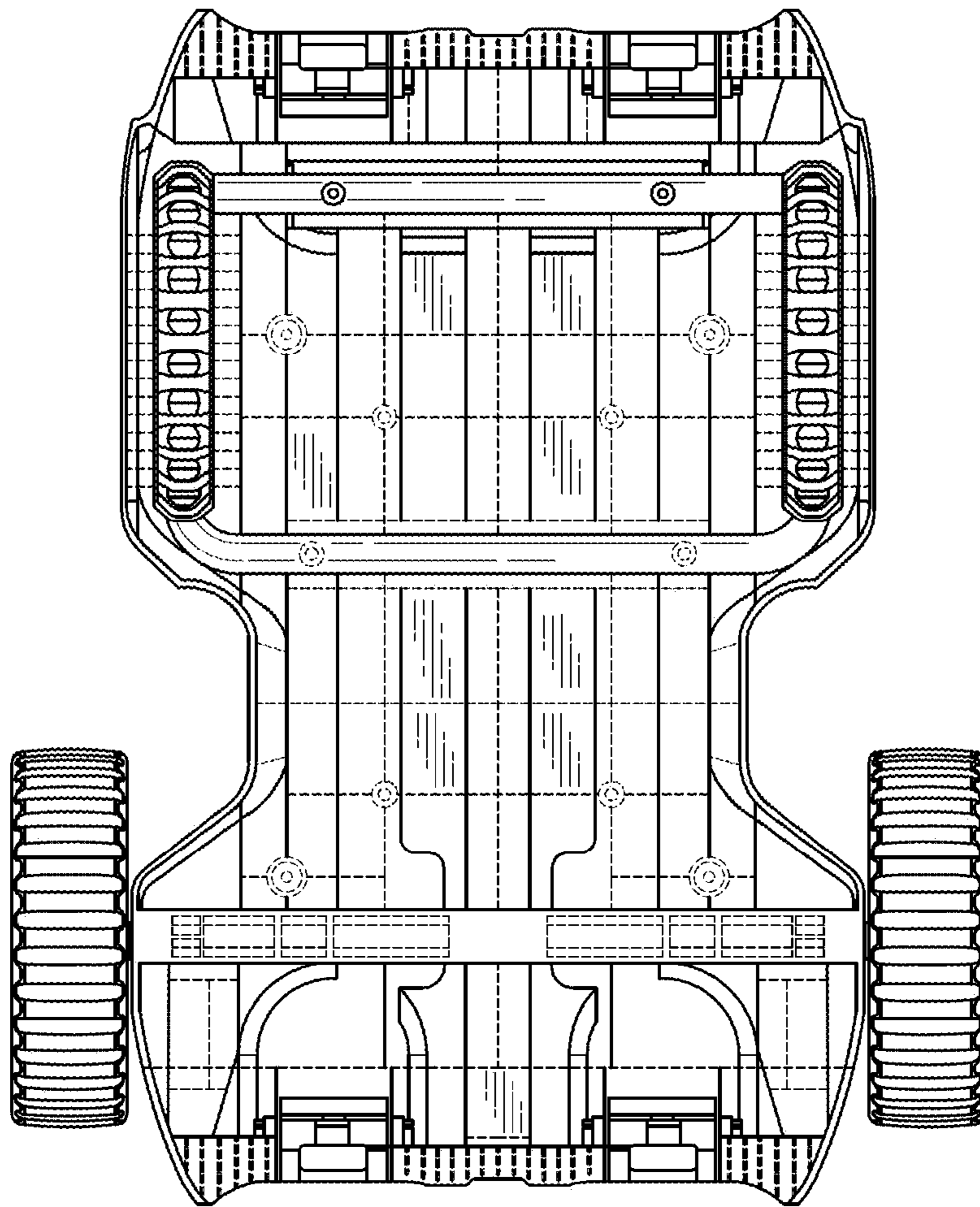


FIG. 7

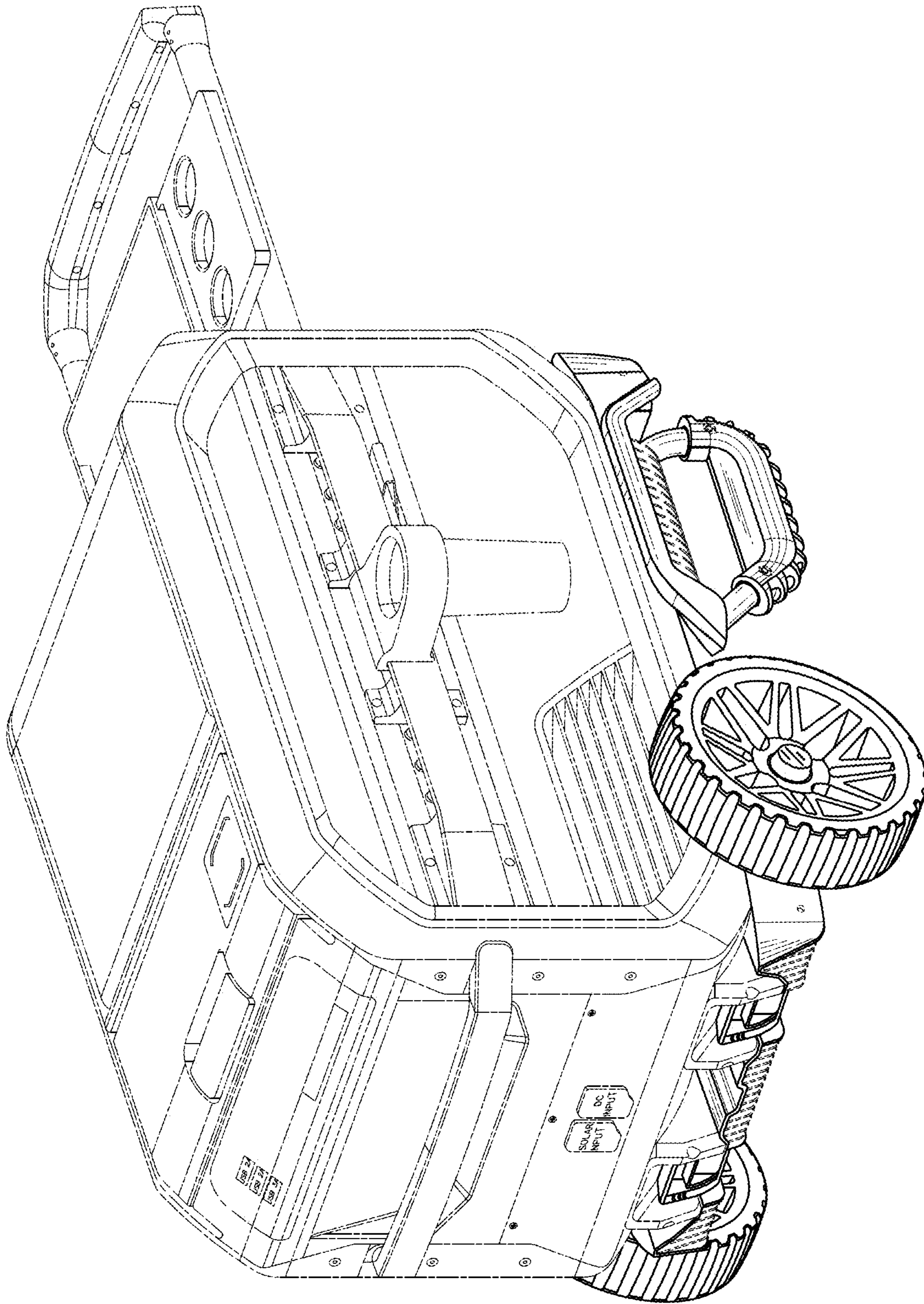


FIG. 8