



US00D908442S

(12) **United States Design Patent**
Bell et al.

(10) **Patent No.:** **US D908,442 S**
(45) **Date of Patent:** **** Jan. 26, 2021**

- (54) **ICELESS COOLER** 8,069,939 B1 * 12/2011 Metzler B62B 3/007
180/19.3
- (71) Applicant: **Furrion Property Holding Limited,** D667,697 S * 9/2012 Shah D7/605
Hong Kong (HK) 8,256,156 B1 * 9/2012 Burgoyne, Jr. A01K 97/06
43/54.1
- (72) Inventors: **Steven Neill Bell,** Hong Kong (HK); 8,733,577 B2 * 5/2014 Patterson A45C 5/14
Matthew David Fidler, Dawesville 220/529
(AU); **Bernard San Lap Lo,** Hong D722,737 S * 2/2015 Kane D34/24
Kong (HK); **Wesley King Juen Tong,** D802,630 S 11/2017 Li et al.
Hong Kong (HK); **Wai Sang Chan** D822,721 S 7/2018 Tschopp
Vincent, Hong Kong (HK) D826,510 S * 8/2018 Brunner D34/24
D828,408 S 9/2018 Huang
D828,672 S * 9/2018 Lyytikainen D34/24
D829,244 S 9/2018 Sullivan et al.
(Continued)
- (73) Assignee: **Furrion Property Holding Limited,**
Hong Kong (HK)

(**) Term: **15 Years**

OTHER PUBLICATIONS

- (21) Appl. No.: **29/696,582**
- (22) Filed: **Jun. 28, 2019**
- (51) **LOC (13) Cl.** **07-01**
- (52) **U.S. Cl.**
USPC **D7/605; D15/81**
- (58) **Field of Classification Search**
USPC D7/603–608, 629, 630; D3/272–274,
D3/279; D15/79, 81; D34/12, 14, 17,
D34/23–27
CPC .. A45C 11/20; A45C 9/00; A45C 5/14; A45C
5/03; F25D 3/14; F25D 3/08; F25D 3/12;
F25D 2400/08; F25D 2400/38; F25D
2400/00; F25D 31/005; B65D 81/3813;
B65D 81/3823; B65D 81/3888; B65D
81/3889; B65D 81/3816; B65D 81/3858;
F24D 2331/804; A47J 41/022; A47G
19/2288; B62B 1/18; B62B 1/26
See application file for complete search history.

U.S. Appl. No. 29/675,709, filed Jan. 4, 2019, 14 pages.
Design U.S. Appl. No. 29/675,709, filed Jan. 4, 2019, 16 pages.

Primary Examiner — Terry A Wallace

(74) *Attorney, Agent, or Firm* — Faegre Drinker Biddle & Reath

(56) **References Cited**

U.S. PATENT DOCUMENTS

- 5,407,218 A * 4/1995 Jackson A45C 5/14
280/30
- 6,755,428 B2 * 6/2004 Butler A45C 9/00
280/47.26

(57) **CLAIM**

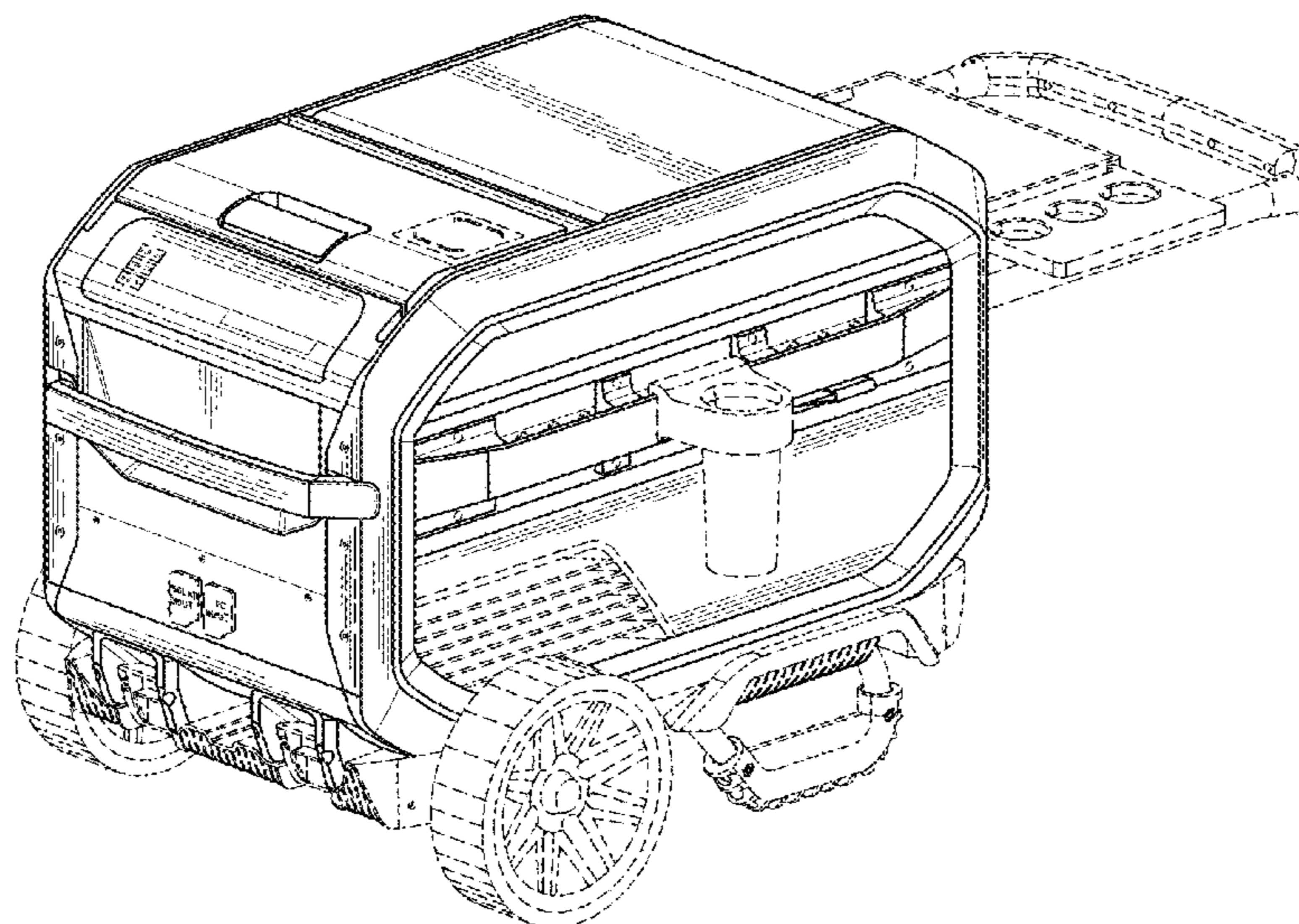
The ornamental design for an iceless cooler, as shown and described.

DESCRIPTION

FIG. 1 is a front perspective view of an iceless cooler, illustrating our new design;
FIG. 2 is a rear elevation view thereof;
FIG. 3 is a front elevation view thereof;
FIG. 4 is a right side elevation view thereof;
FIG. 5 is a left side elevation view thereof;
FIG. 6 is a top plan view thereof; and,
FIG. 7 is a bottom plan view thereof.

The broken lines in the drawings illustrate portions of the iceless cooler that form no part of the claimed design.

1 Claim, 7 Drawing Sheets



(56)

References Cited

U.S. PATENT DOCUMENTS

D836,993	S	1/2019	Meda et al.	
10,272,934	B2 *	4/2019	DeFrancia	B62B 1/12
D851,138	S	6/2019	Murobayashi et al.	
D855,667	S	8/2019	Shu et al.	
D862,528	S	10/2019	Sullivan et al.	
2008/0179847	A1 *	7/2008	DeFrancia	B62B 1/26 280/47.26
2014/0197059	A1 *	7/2014	Evans	B25H 3/02 206/349

* cited by examiner

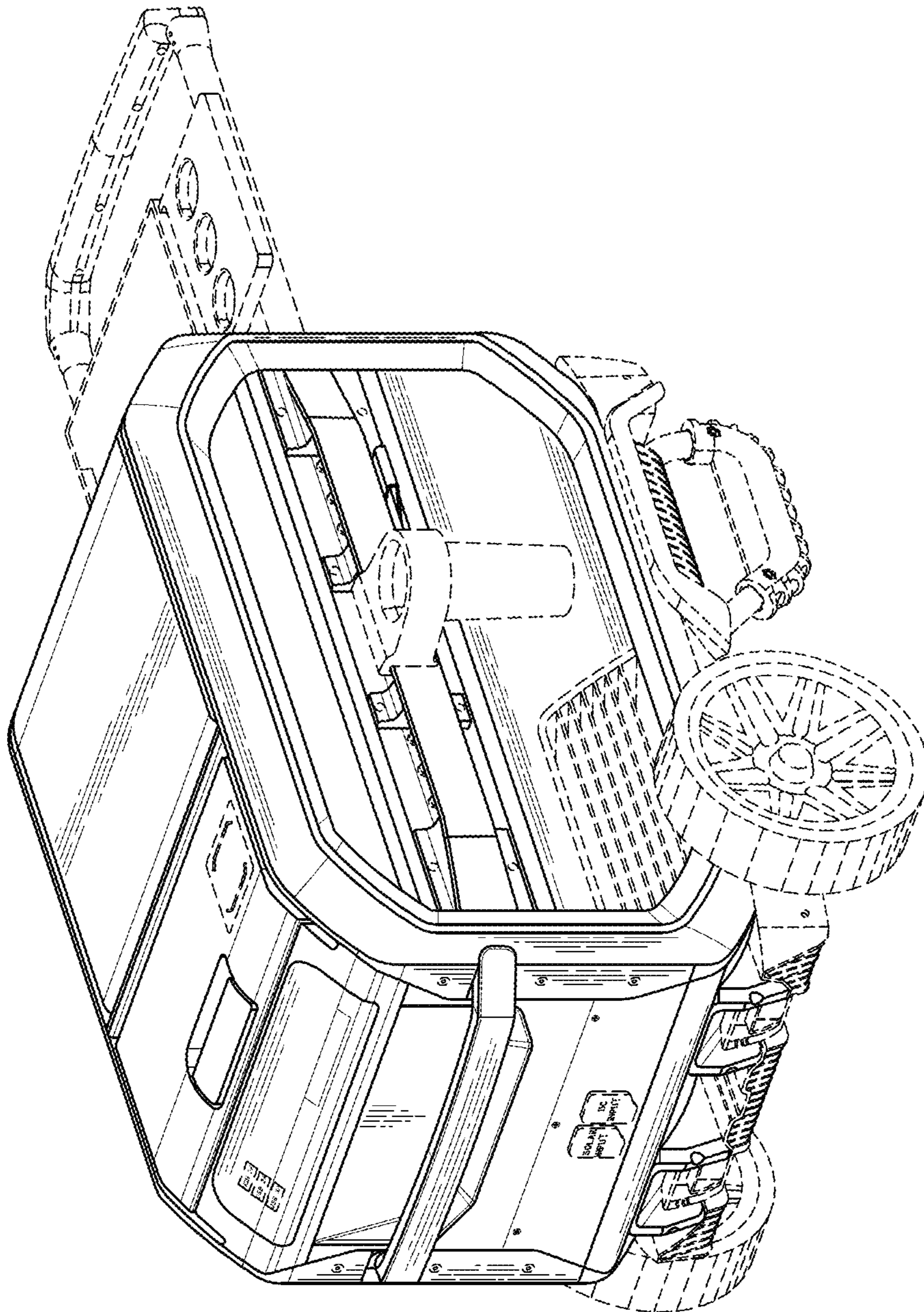


FIG. 1

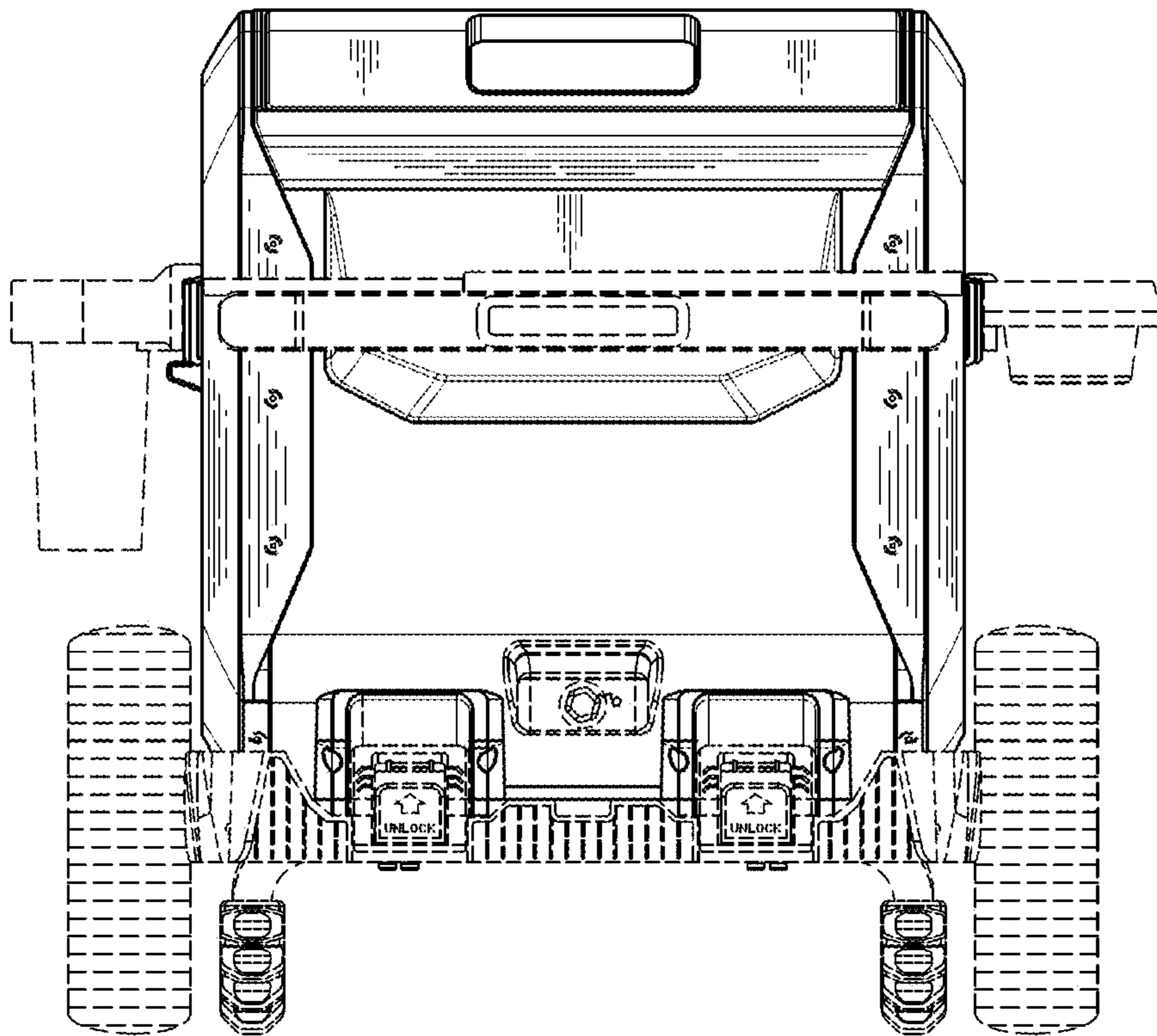


FIG. 2

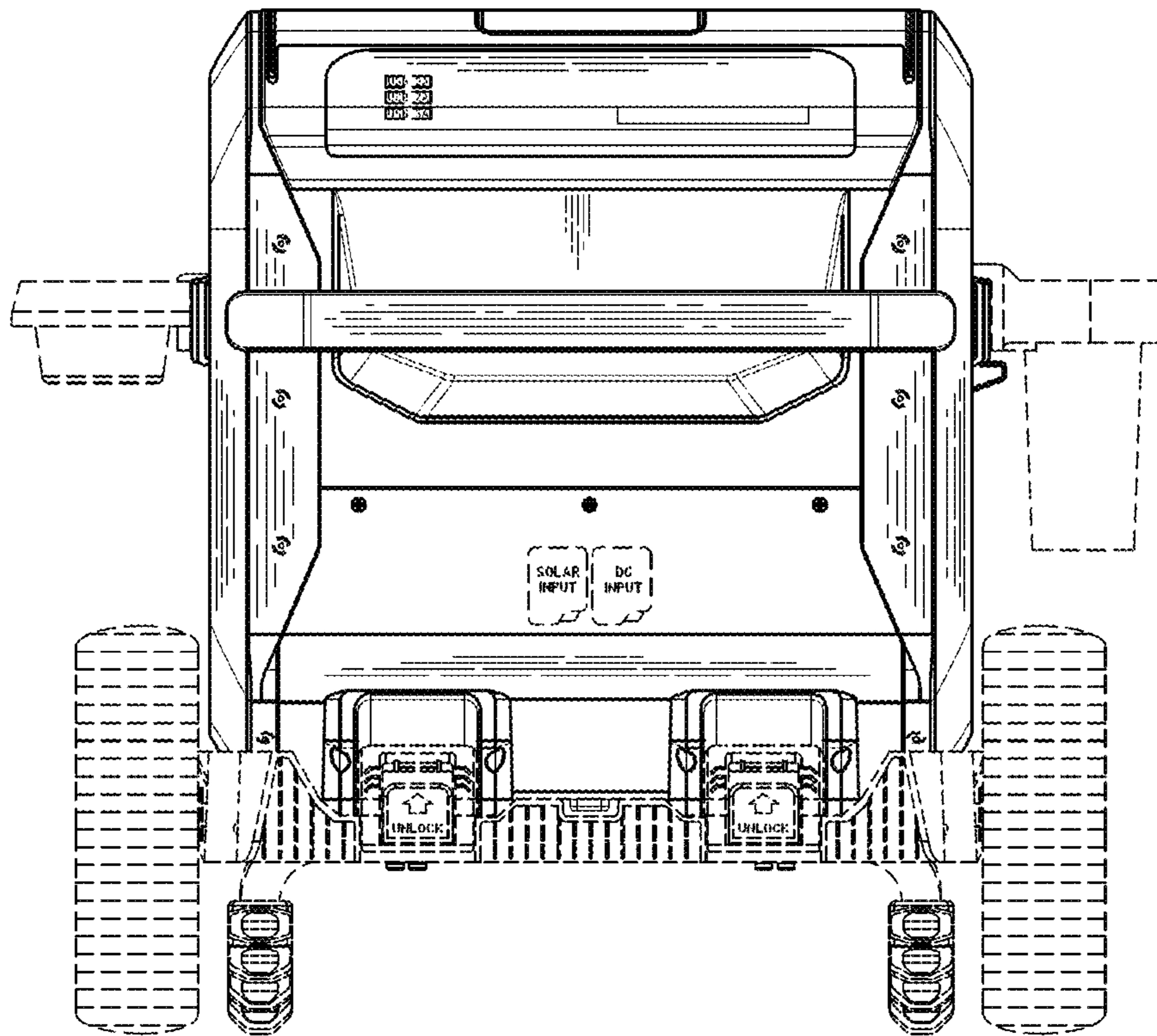


FIG. 3

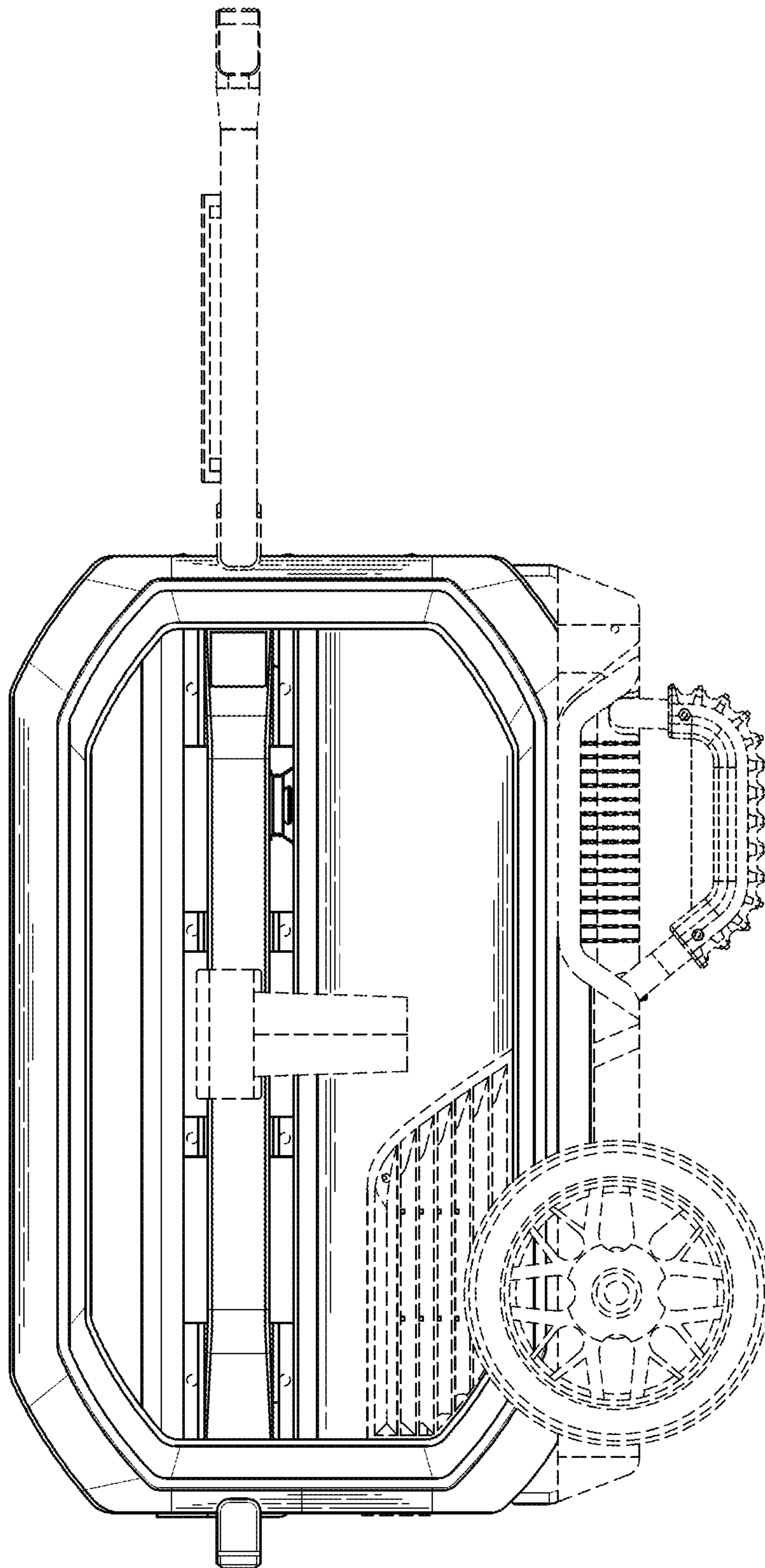


FIG. 4

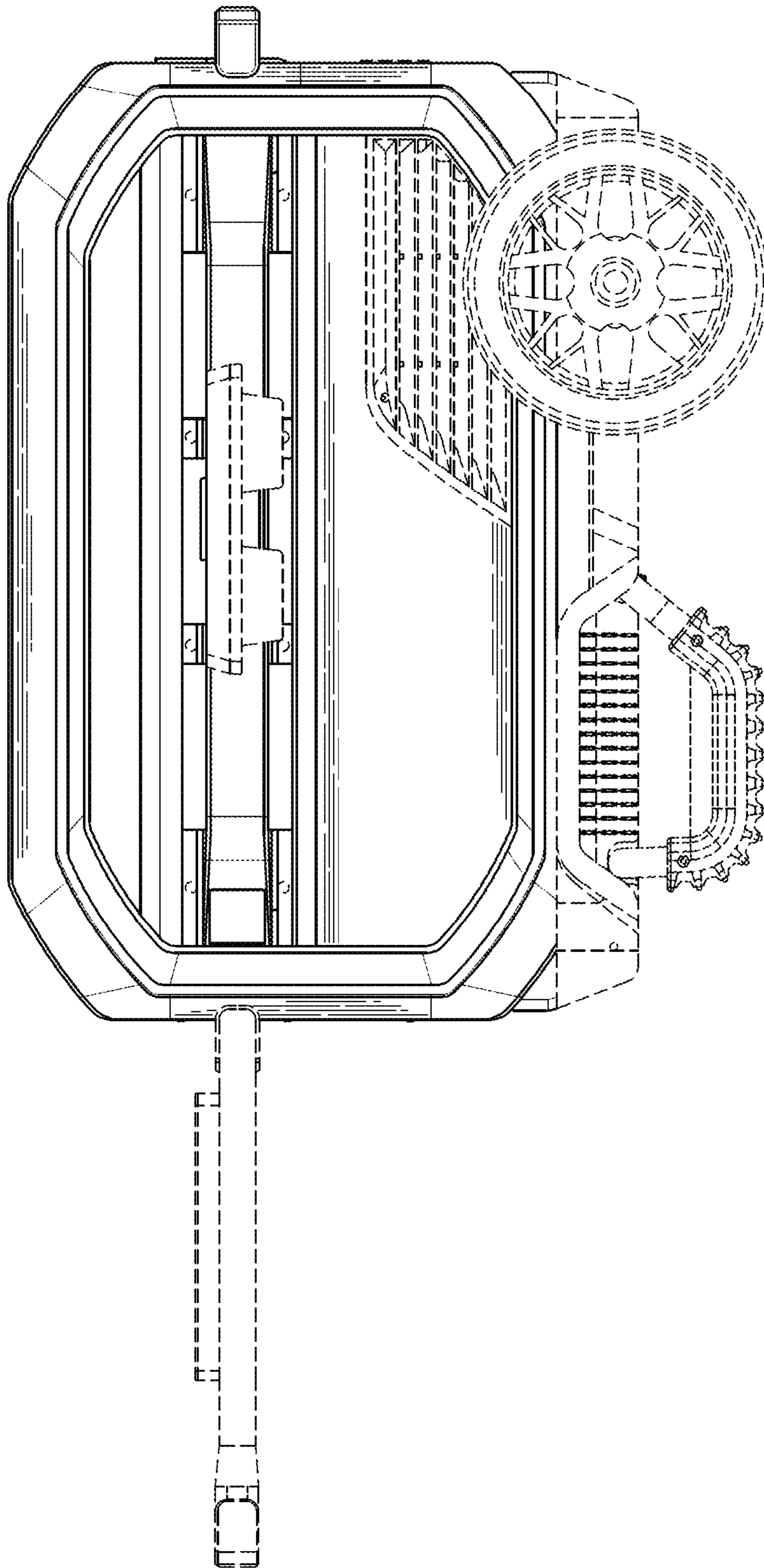


FIG. 5

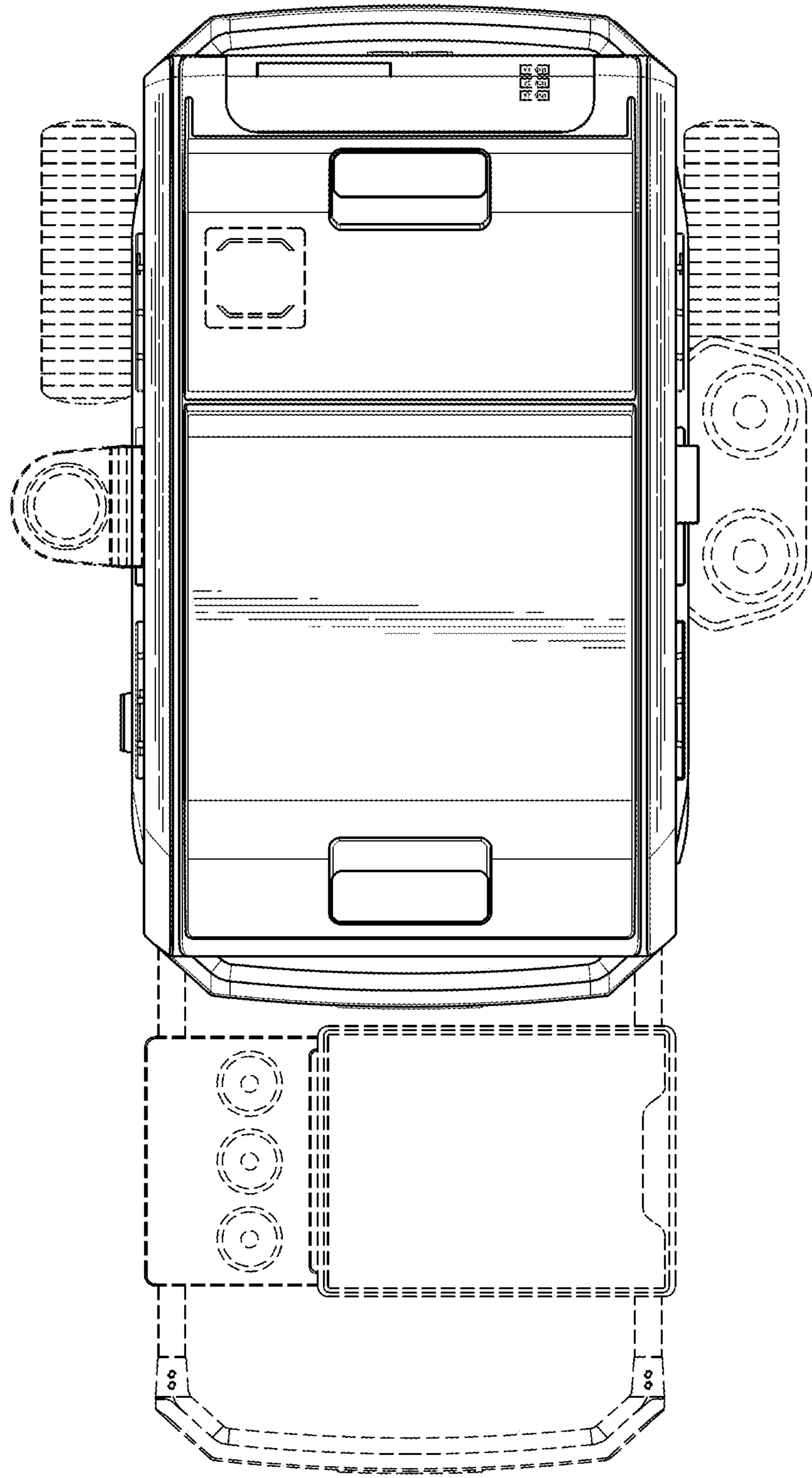


FIG. 6

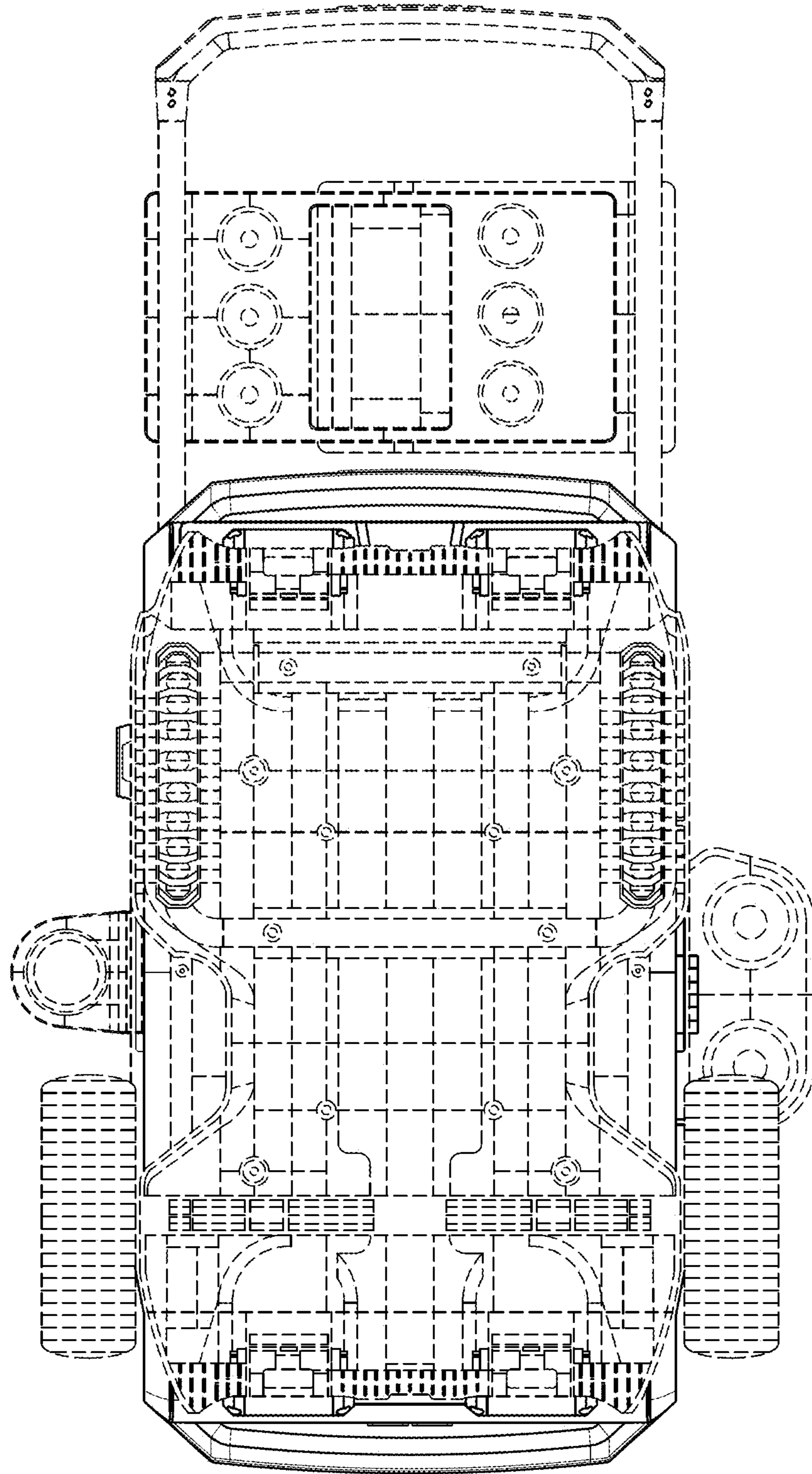


FIG. 7