



US00D908441S

(12) **United States Design Patent**
Samartgis

(10) **Patent No.:** **US D908,441 S**

(45) **Date of Patent:** **** *Jan. 26, 2021**

(54) **CONTAINER BASE**

(71) Applicant: **THE DECOR CORPORATION PTY LTD**, Scoresby Vic (AU)

(72) Inventor: **Jim Samartgis**, Scoresby Vic (AU)

(73) Assignee: **The Decor Corporation Pty. Ltd.**, Scoresby (AU)

(*) Notice: This patent is subject to a terminal disclaimer.

(**) Term: **15 Years**

(21) Appl. No.: **29/609,351**

(22) Filed: **Jun. 29, 2017**

(30) **Foreign Application Priority Data**

Feb. 9, 2017 (AU) 201710743
Feb. 9, 2017 (AU) 201710745

(51) **LOC (13) Cl.** **07-07**

(52) **U.S. Cl.**
USPC **D7/602**

(58) **Field of Classification Search**
USPC D7/590, 597, 600-600.1, 600.3-600.4,
D7/602, 614-615, 701, 592, 596, 619.1,
(Continued)

(56) **References Cited**

U.S. PATENT DOCUMENTS

D282,809 S * 3/1986 Daenen D7/602
D287,559 S * 1/1987 Daenen D7/586
(Continued)

FOREIGN PATENT DOCUMENTS

CN 304039162 * 2/2017
CN 304039164 * 2/2017
KR 300828431.0000 * 12/2015

OTHER PUBLICATIONS

Brilliance Container, Rubbermaid, jamielovesstuff.com, published by blogger Jamie on Nov. 30, 2016 per wayback machine © A Little Desert Apartment, online, site visited Jan. 30, 2019. Available from Internet, URL: <https://web.archive.org/web/20161130184712/http://www.jamielovesstuff.com/2016/11/> . . . (Year: 2016).*

Primary Examiner — Marissa J Cash

Assistant Examiner — Altaira J Swangin

(74) *Attorney, Agent, or Firm* — Kilpatrick Townsend & Stockton LLP

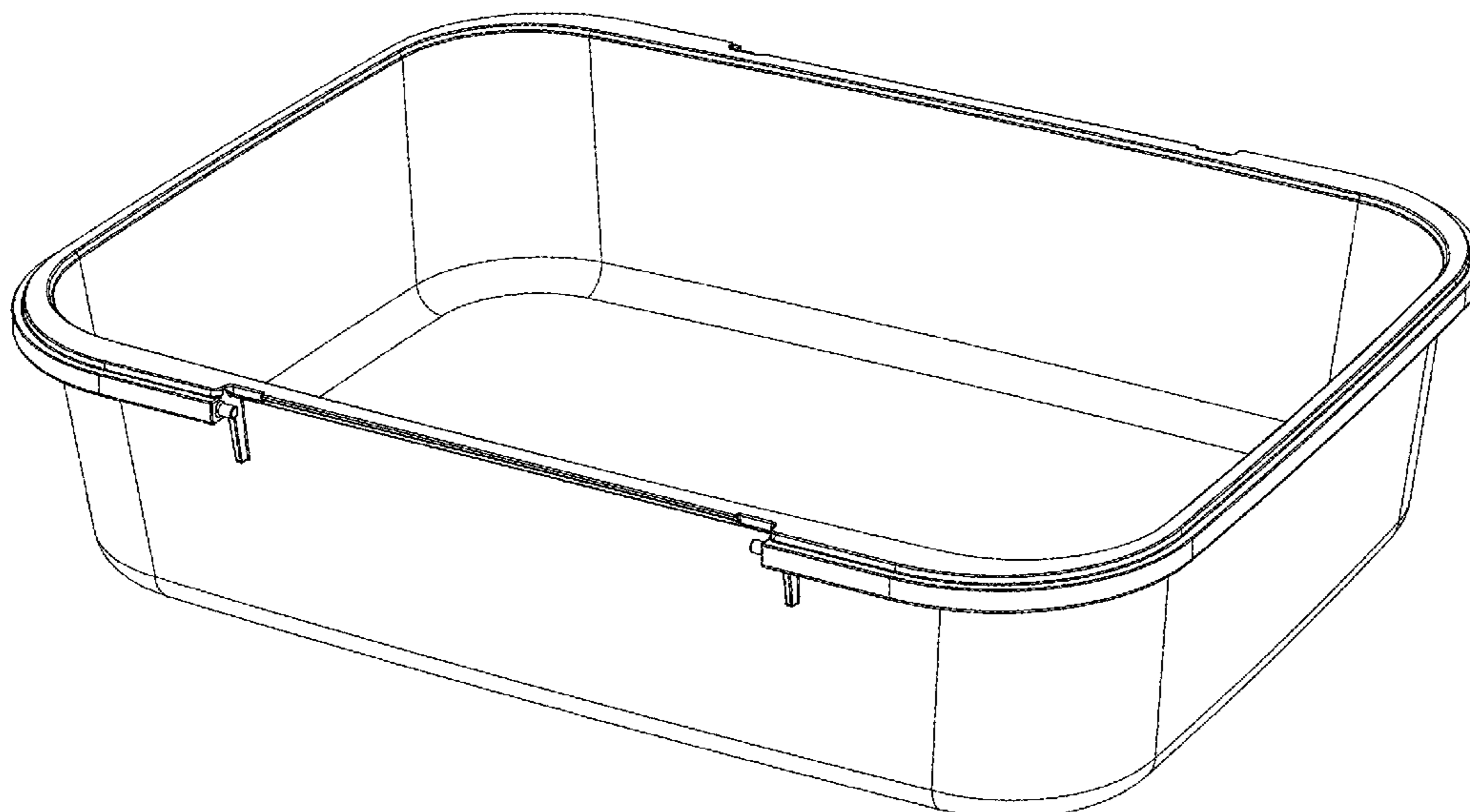
(57) **CLAIM**

The ornamental design for a container base, as shown and described.

DESCRIPTION

FIG. 1 is a top, front perspective view of a first embodiment of a container base showing my new design;
FIG. 2 is a bottom, rear perspective view thereof;
FIG. 3 is a top plan view thereof;
FIG. 4 is a bottom plan view thereof;
FIG. 5 is a front elevational view thereof;
FIG. 6 is a rear elevational view thereof;
FIG. 7 is a left side elevational view thereof; and
FIG. 8 is a right side elevational view thereof.
FIG. 9 is a top, front perspective view of a second embodiment of a container base showing my new design;
FIG. 10 is a bottom, rear perspective view thereof;
FIG. 11 is a top plan view thereof;
FIG. 12 is a bottom plan view thereof;
FIG. 13 is a front elevational view thereof;
FIG. 14 is a rear elevational view thereof;
FIG. 15 is a left side elevational view thereof; and,
FIG. 16 is a right side elevational view thereof.
Broken lines shown in the drawings represent portions of the container base and form no part of the claimed design.

1 Claim, 16 Drawing Sheets



(58) **Field of Classification Search**

USPC D7/704, 505, 513, 553.1–553.3,
 D7/554.3–555, 611; D6/675, 680.2,
 D6/675.1–675.2, 675.5, 680–680.1, 680.3,
 D6/681, 690–691; 211/30, 73–74;
 D9/747, 751–753, 756–758, 759–760,
 D9/762; 206/129, 712, 736; D19/92,
 D19/101–105, 107; D32/53, 53.1, 55
 CPC F16M 11/00; A47K 1/09; A47F 7/0064;
 A47J 47/02; A47J 47/06; A47J 47/10;
 B65D 1/36; B65D 81/3446; B65D 1/00;
 B65D 45/12; B65D 45/16; B65D 45/18;
 B65D 45/20; B65D 45/22; B65D 45/30;
 B65D 45/322; A47G 23/04; A47G
 23/0683; A47G 23/06

See application file for complete search history.

(56) **References Cited**

U.S. PATENT DOCUMENTS

D316,513 S * 4/1991 Wolff D9/424
 D363,662 S * 10/1995 Plater D3/304
 D377,739 S * 2/1997 Carlson D7/602
 D379,138 S * 5/1997 Carlson D7/629
 D403,924 S * 1/1999 Carlson D7/602
 D421,901 S * 3/2000 Hill D9/423
 D601,388 S * 10/2009 Carlson D7/602
 7,614,522 B2 * 11/2009 Hsu A47J 36/06
 220/367.1
 D606,812 S * 12/2009 Wu D7/629
 D614,919 S * 5/2010 Carlson D7/602
 D618,516 S * 6/2010 DiPietro D7/629
 D630,899 S * 1/2011 Samartgis D7/602
 D630,901 S * 1/2011 Samartgis D7/602
 D631,298 S * 1/2011 Samartgis D7/602
 D631,300 S * 1/2011 Samartgis D7/602
 D631,706 S * 2/2011 Samartgis D7/602
 D631,707 S * 2/2011 Samartgis D7/602
 D644,883 S * 9/2011 Samartgis D7/602
 D644,884 S * 9/2011 Samartgis D7/602
 D644,885 S * 9/2011 Samartgis D7/602
 D644,886 S * 9/2011 Samartgis D7/602
 D644,887 S * 9/2011 Samartgis D7/602
 D644,888 S * 9/2011 Samartgis D7/602
 D653,901 S * 2/2012 Sarnoff D7/354
 D655,576 S * 3/2012 Samartgis D7/602
 D655,577 S * 3/2012 Samartgis D7/602
 D655,578 S * 3/2012 Samartgis D7/602
 D657,992 S * 4/2012 Moodie D7/354
 D664,427 S * 7/2012 Chen D9/425
 8,418,871 B1 * 4/2013 LaMasney B65D 1/34
 220/324
 D697,762 S * 1/2014 Carlson D7/602
 D697,763 S * 1/2014 Carlson D7/602

D697,764 S * 1/2014 Carlson D7/602
 8,714,394 B2 * 5/2014 Wulf B65D 43/0212
 220/326
 D708,015 S * 7/2014 Carlson D7/602
 D708,016 S * 7/2014 Carlson D7/602
 D708,017 S * 7/2014 Carlson D7/602
 D708,018 S * 7/2014 Carlson D7/602
 D716,613 S * 11/2014 Carlson D7/602
 D717,119 S * 11/2014 Carlson D7/602
 D717,120 S * 11/2014 Carlson D7/602
 D717,121 S * 11/2014 Carlson D7/602
 D717,122 S * 11/2014 Carlson D7/602
 8,998,014 B2 * 4/2015 Iwasaki A45C 11/20
 220/203.11
 D734,991 S * 7/2015 Carlson D7/602
 D751,349 S * 3/2016 Carlson D7/629
 D756,652 S * 5/2016 Reinhart D3/314
 D787,275 S * 5/2017 Carlson D7/602
 D792,759 S * 7/2017 Foster D7/602
 D792,760 S * 7/2017 Foster D7/602
 D810,285 S * 2/2018 Adams D24/123
 D829,036 S * 9/2018 Garcia Luna D7/360
 D838,108 S * 1/2019 Samartgis D3/318
 D838,484 S * 1/2019 Samartgis D3/318
 D854,380 S * 7/2019 Yang D7/602
 10,450,104 B2 * 10/2019 Han B65D 21/0216
 2007/0095837 A1 * 5/2007 Meier B65D 45/16
 220/324
 2007/0235452 A1 * 10/2007 Killinger B42F 17/08
 220/326
 2009/0289066 A1 * 11/2009 DiPietro B65D 43/0212
 220/324
 2010/0200588 A1 * 8/2010 Bergman B65D 81/2038
 220/203.01
 2011/0283509 A1 * 11/2011 Miller A47J 45/10
 29/428
 2012/0267369 A1 * 10/2012 Duvigneau B29C 45/0081
 220/203.01
 2014/0299227 A1 * 10/2014 Dix B65B 25/04
 141/11
 2014/0312046 A1 * 10/2014 Yang B65D 43/0254
 220/792
 2015/0014320 A1 * 1/2015 Koo B65D 45/20
 220/324
 2015/0125579 A1 * 5/2015 Schrade A23L 3/3418
 426/234
 2015/0232242 A1 * 8/2015 Carlson B65D 53/02
 220/367.1
 2016/0000271 A1 * 1/2016 Park B65D 81/2038
 220/203.29
 2016/0332785 A1 * 11/2016 Sexton B65D 45/20
 2018/0265263 A1 * 9/2018 Li B65D 45/20
 2019/0202607 A1 * 7/2019 Lee A45C 11/20
 2019/0233177 A1 * 8/2019 Han B65D 81/3818
 2020/0002061 A1 * 1/2020 Samartgis B65D 45/20

* cited by examiner

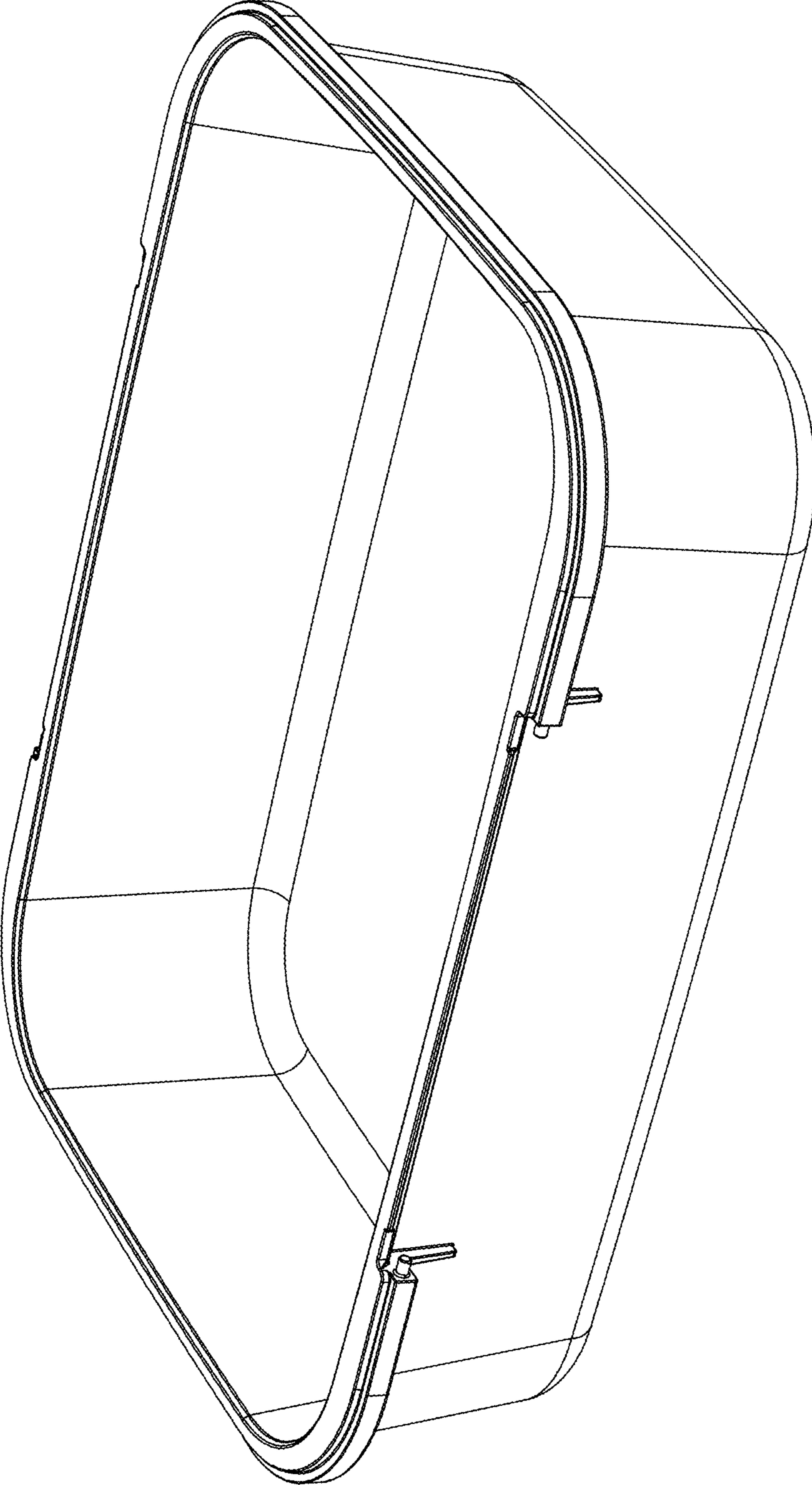


FIG. 1

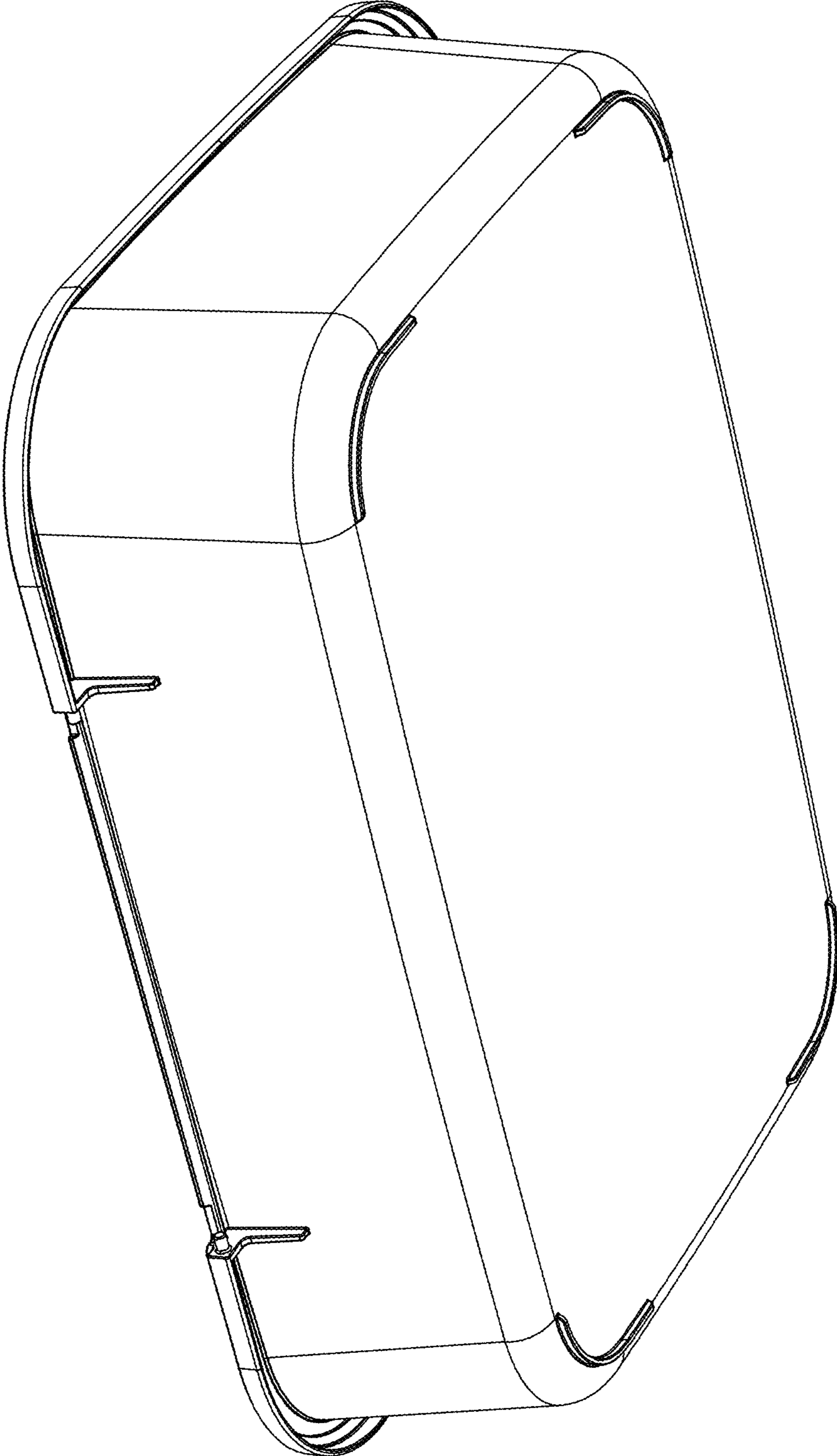


FIG. 2

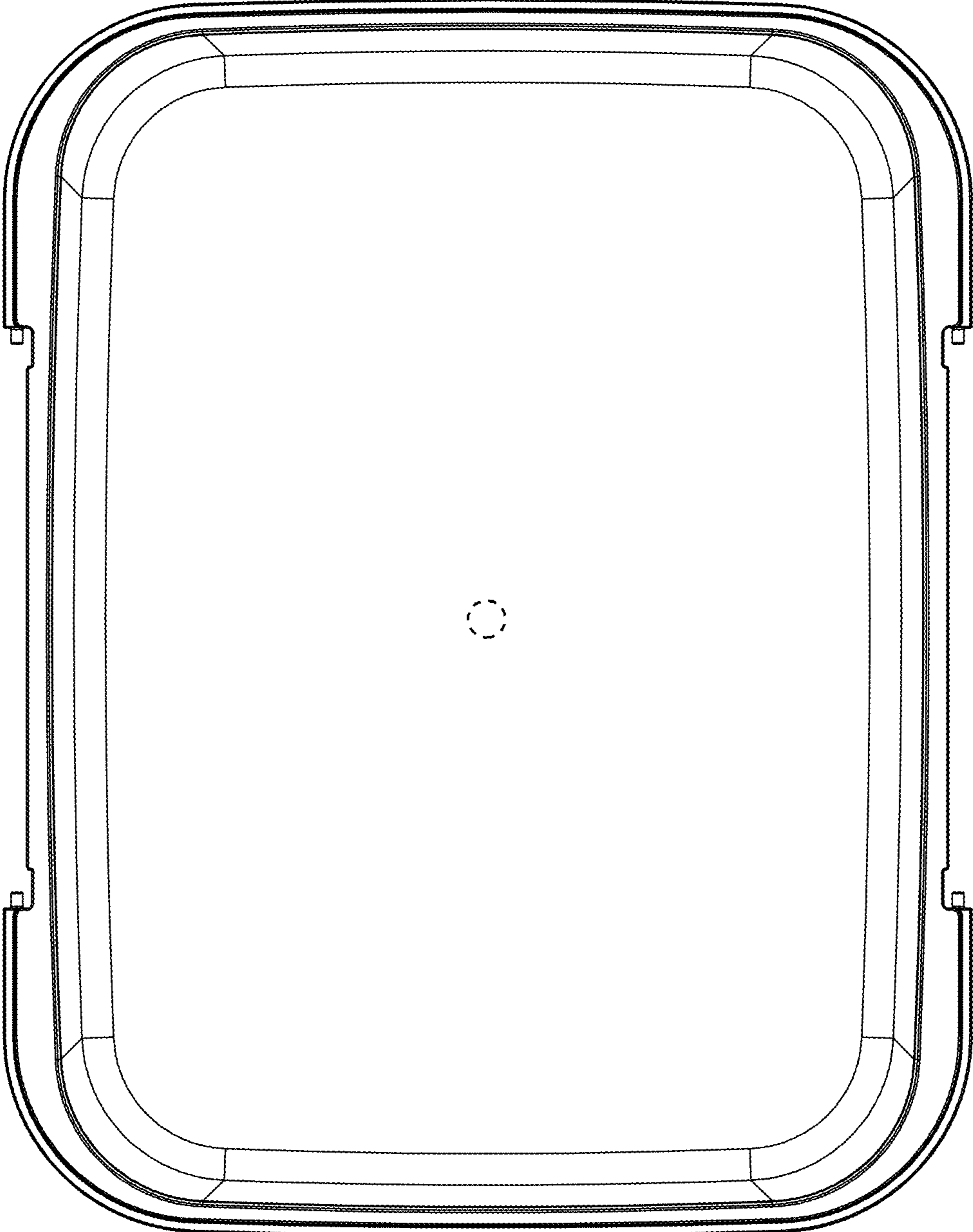


FIG. 3

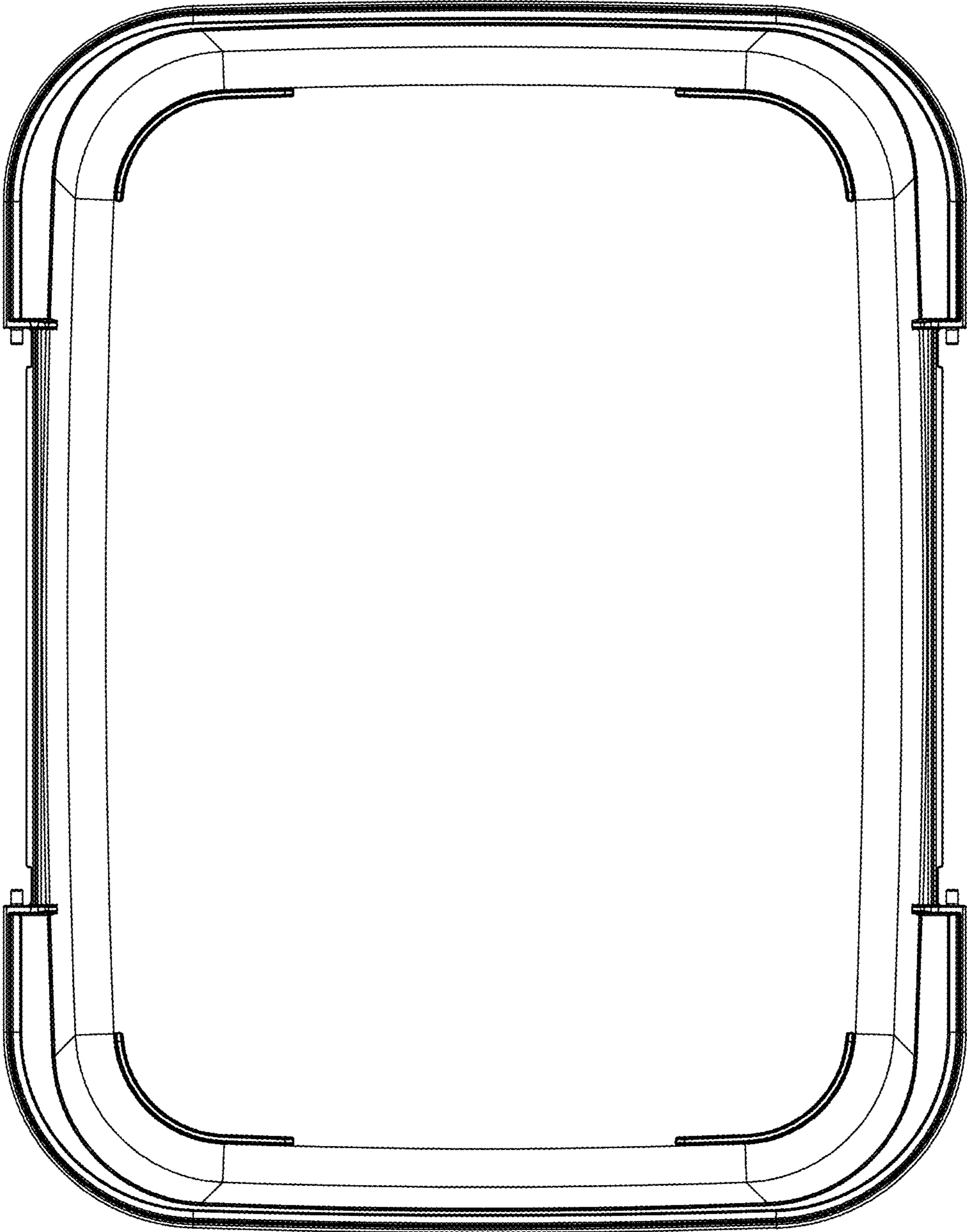


FIG. 4

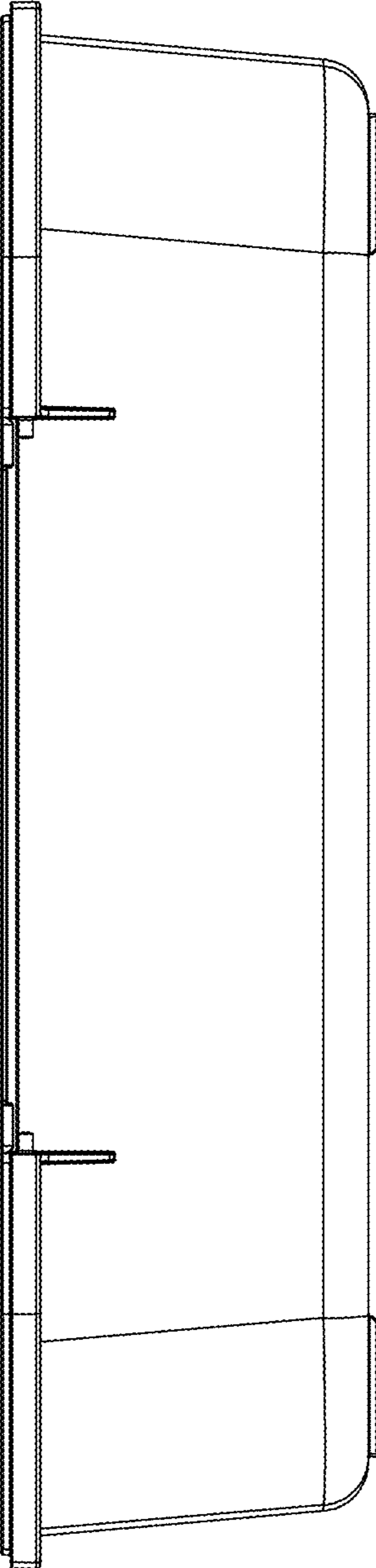


FIG. 5

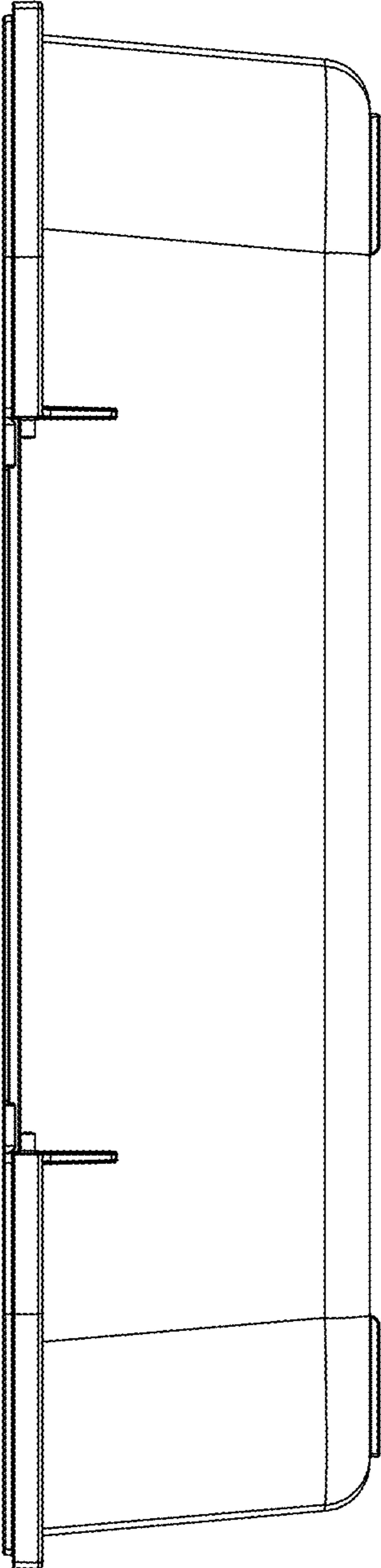


FIG. 6

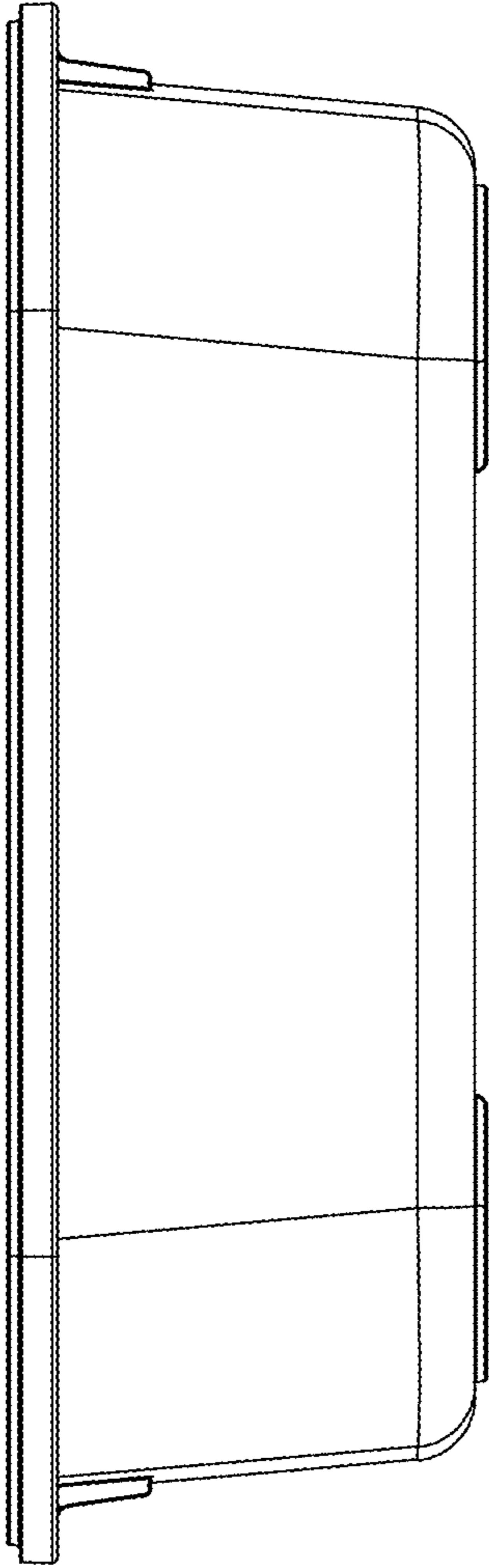


FIG. 7

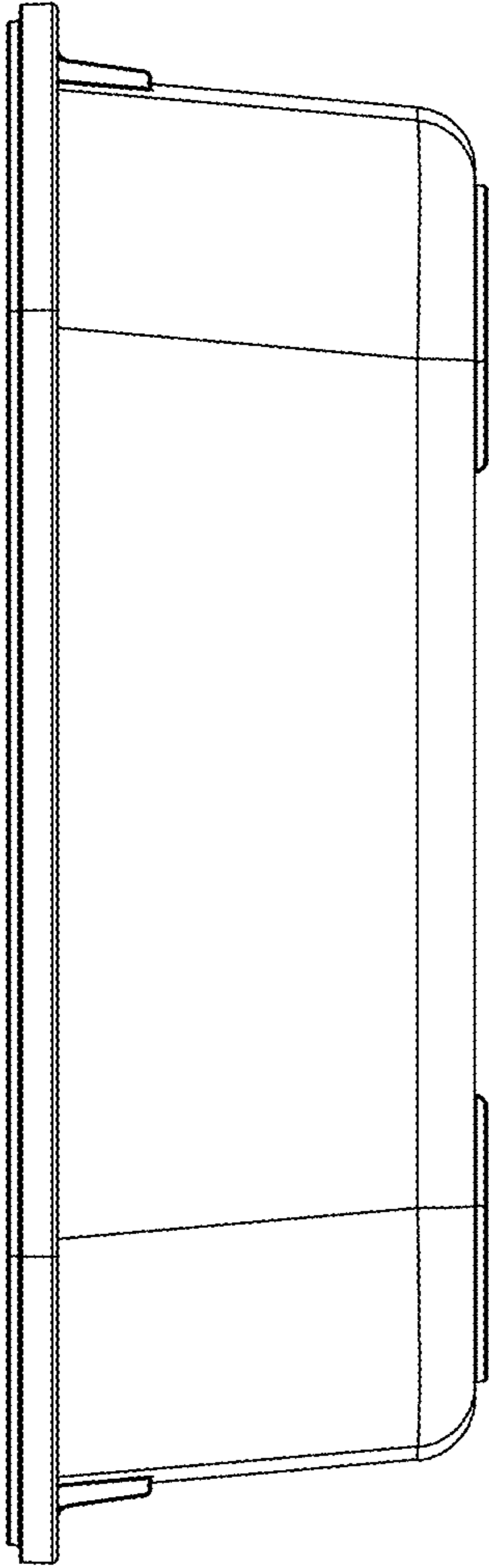


FIG. 8

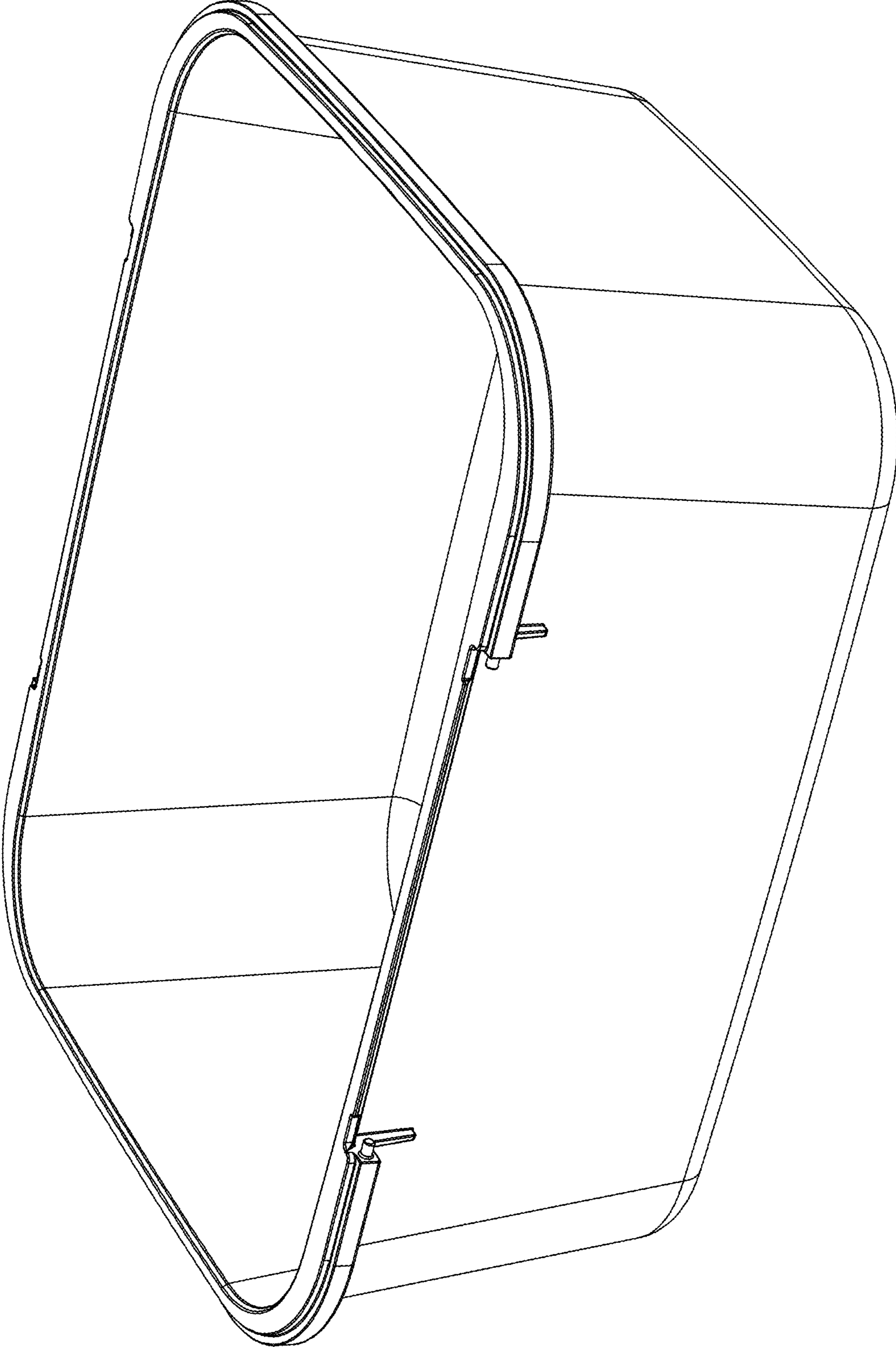


FIG. 9

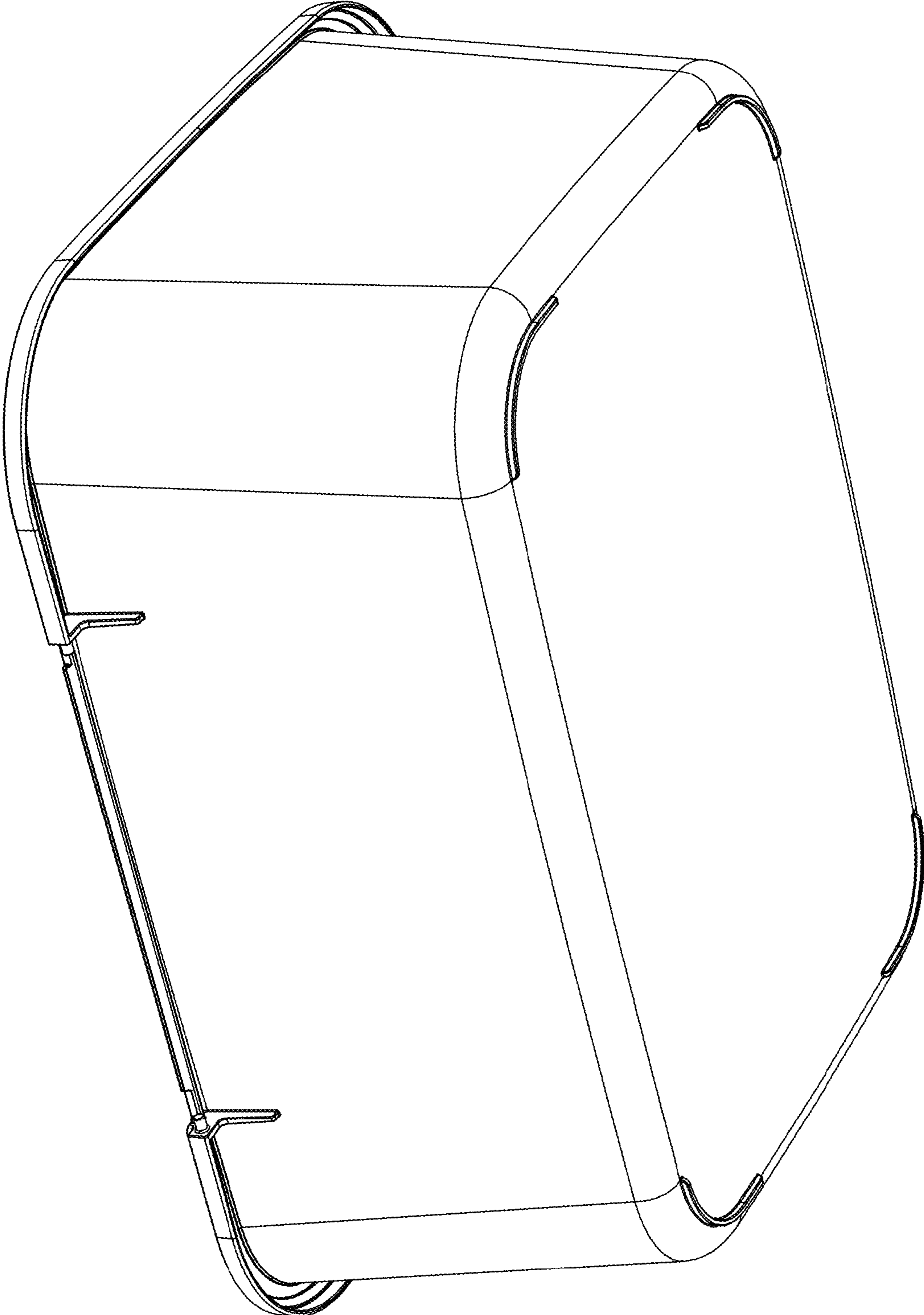


FIG. 10

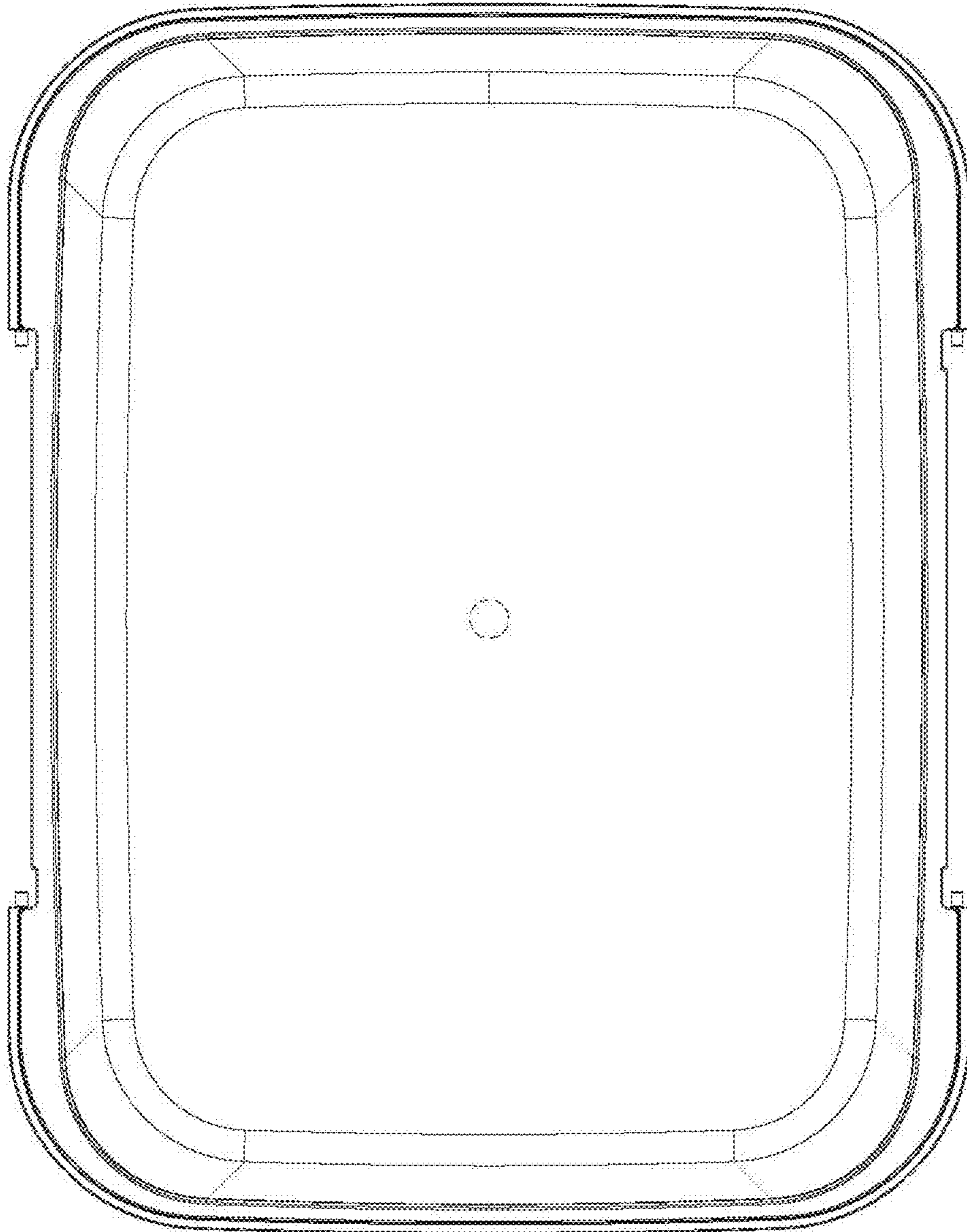


FIG. 11

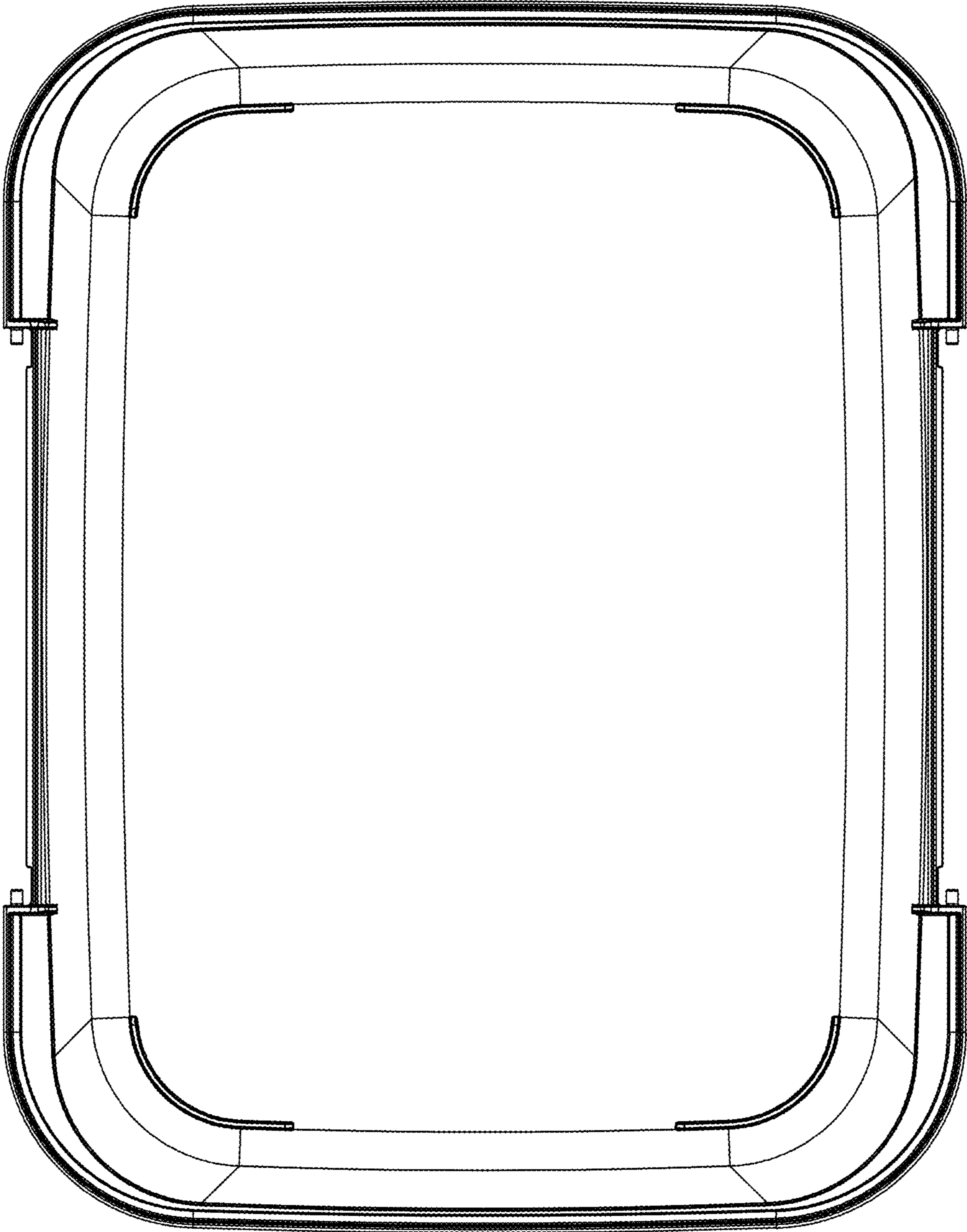


FIG. 12

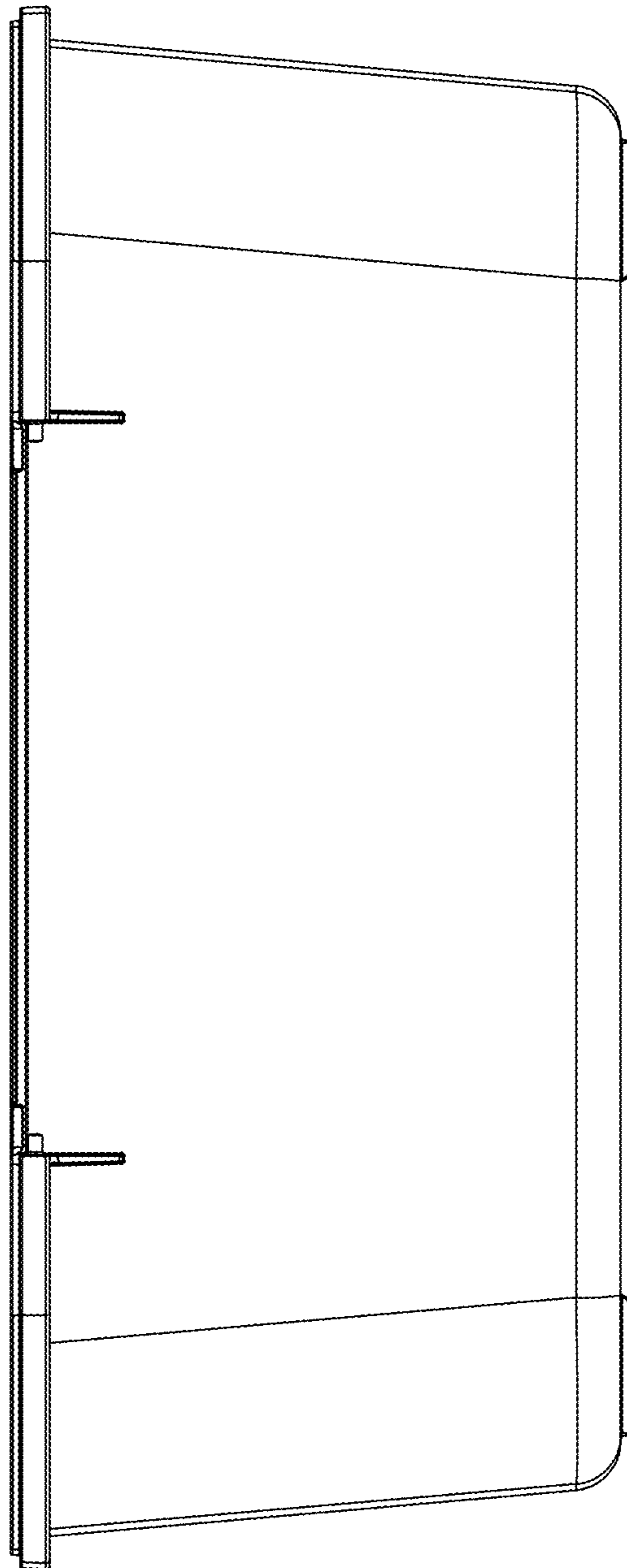


FIG. 13

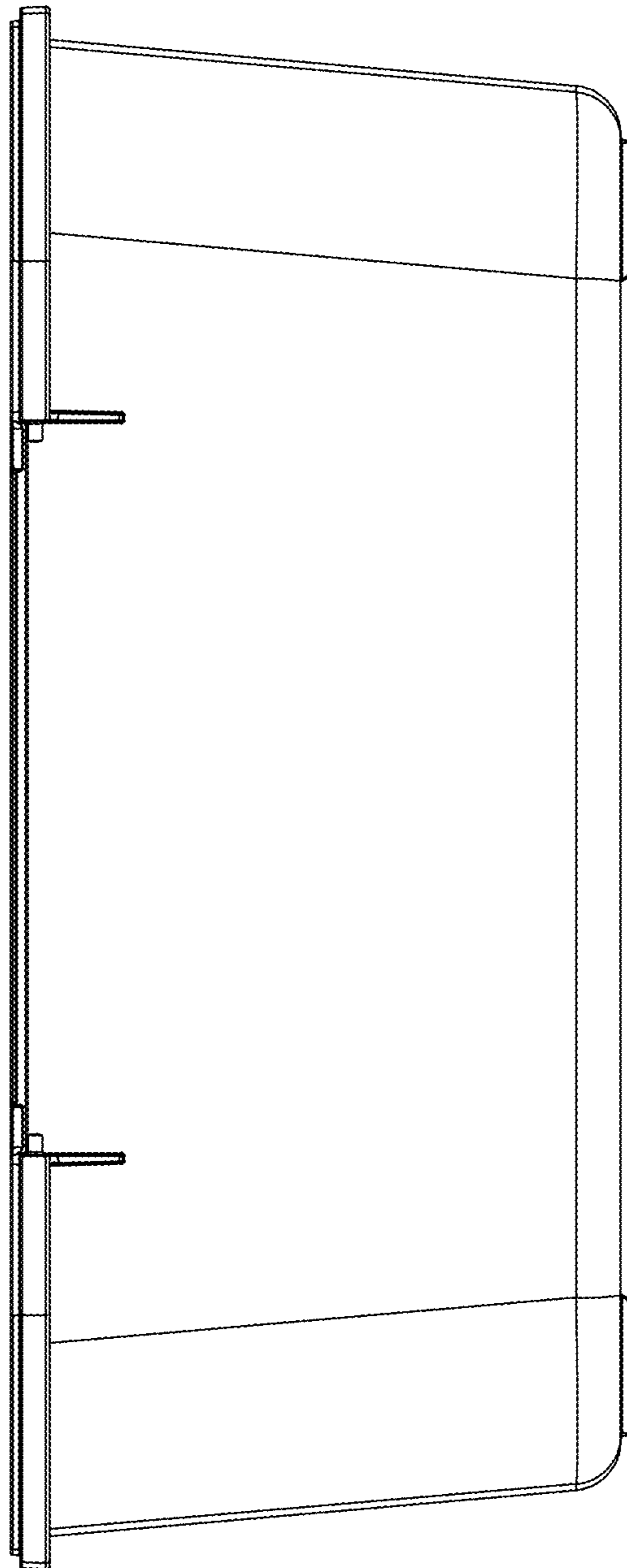


FIG. 14

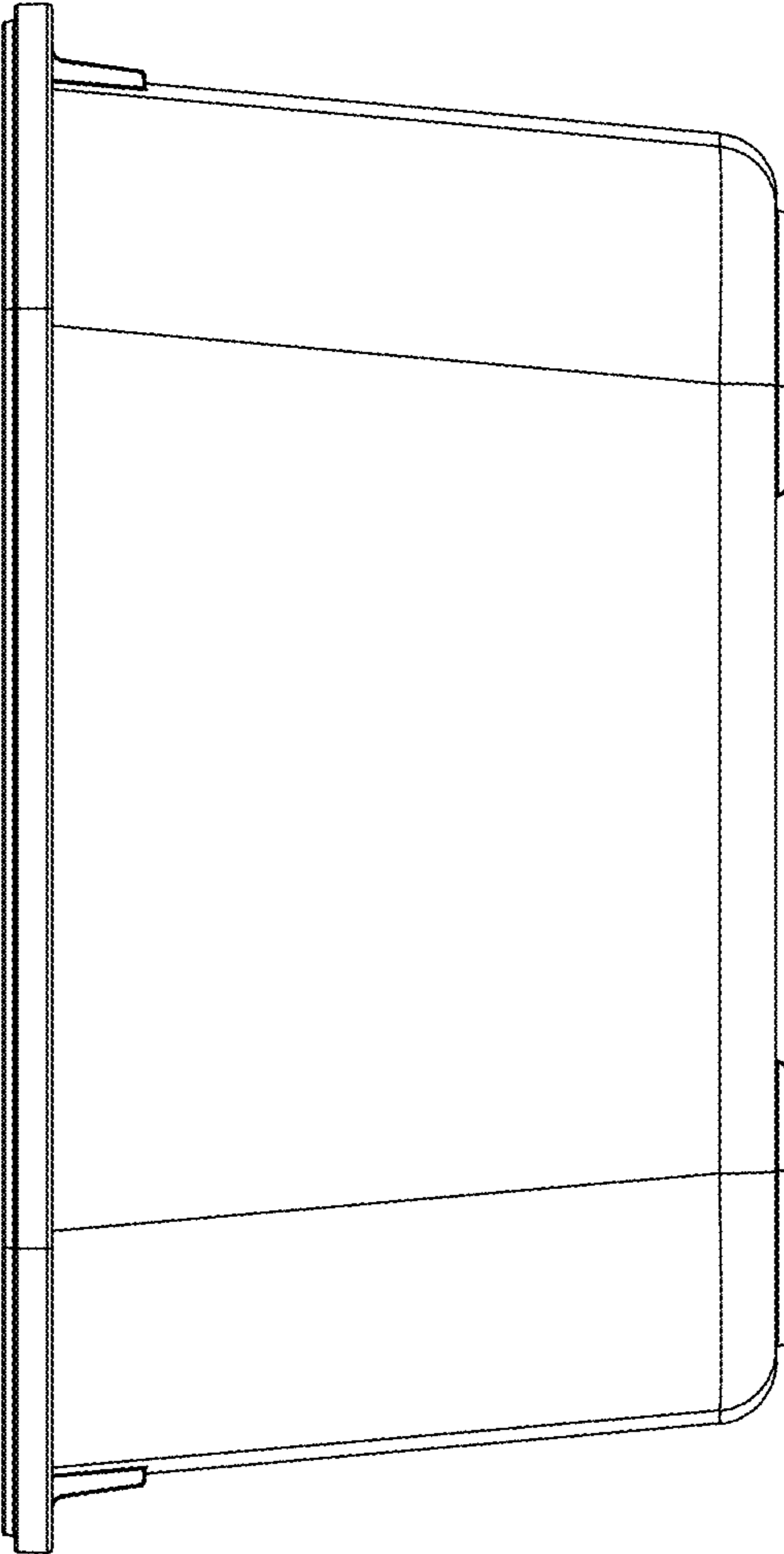


FIG. 15

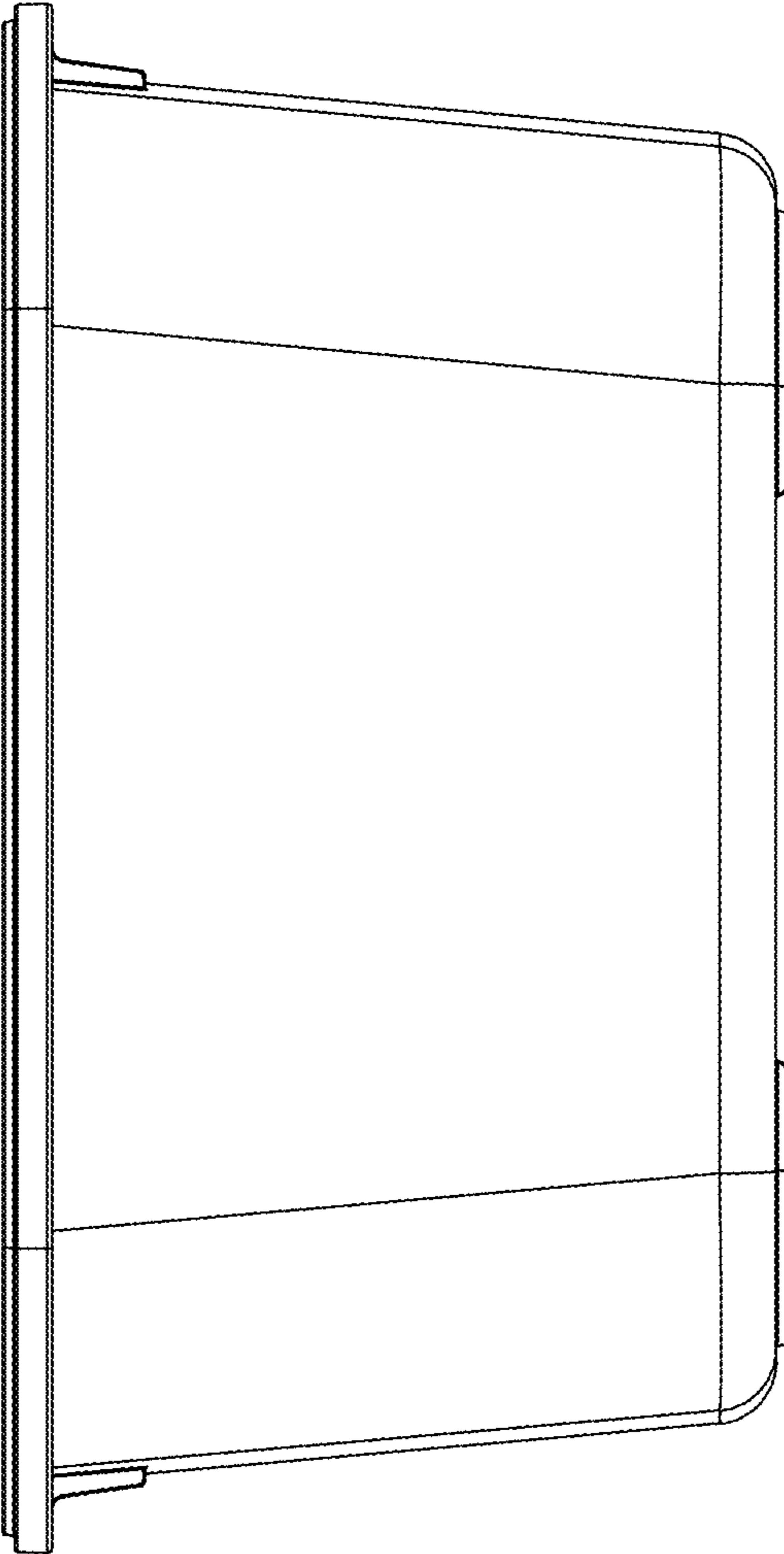


FIG. 16