



US00D908439S

(12) **United States Design Patent** (10) **Patent No.:** **US D908,439 S**  
**Rajasekaran** (45) **Date of Patent:** **\*\* Jan. 26, 2021**

(54) **LID SUPPORT** 5,297,766 A \* 3/1994 Hoffman ..... A47J 47/16  
248/205.3  
(71) Applicant: **E. MISHAN & SONS, INC.**, New York, NY (US) D401,496 S \* 11/1998 Lambert ..... D8/354  
D419,368 S 1/2000 Geelen  
D491,769 S \* 6/2004 Qualiano ..... D7/601  
(72) Inventor: **Mohan Rajasekaran**, Watertown, CT (US) D521,312 S 5/2006 Pukall  
D521,313 S 5/2006 Pukall  
D582,205 S 12/2008 Gerlach  
D588,397 S 3/2009 Naef  
(73) Assignee: **E. Mishan & Sons, Inc.**, New York, NY (US) D618,958 S \* 7/2010 Di Lollo ..... D7/388  
D619,892 S 7/2010 Welk  
8,167,163 B2 3/2012 Chen  
(\*\*) Term: **15 Years** (Continued)

(21) Appl. No.: **29/747,016**  
(22) Filed: **Aug. 19, 2020**  
(51) **LOC (13) Cl.** ..... **07-02**  
(52) **U.S. Cl.**  
USPC ..... **D7/601**; D7/393  
(58) **Field of Classification Search**  
USPC ..... D7/354-361, 388, 393-395, 402, 601  
CPC .. A47J 36/12; A47J 47/16; A47J 45/10; A47J  
43/287; B65D 55/16  
See application file for complete search history.

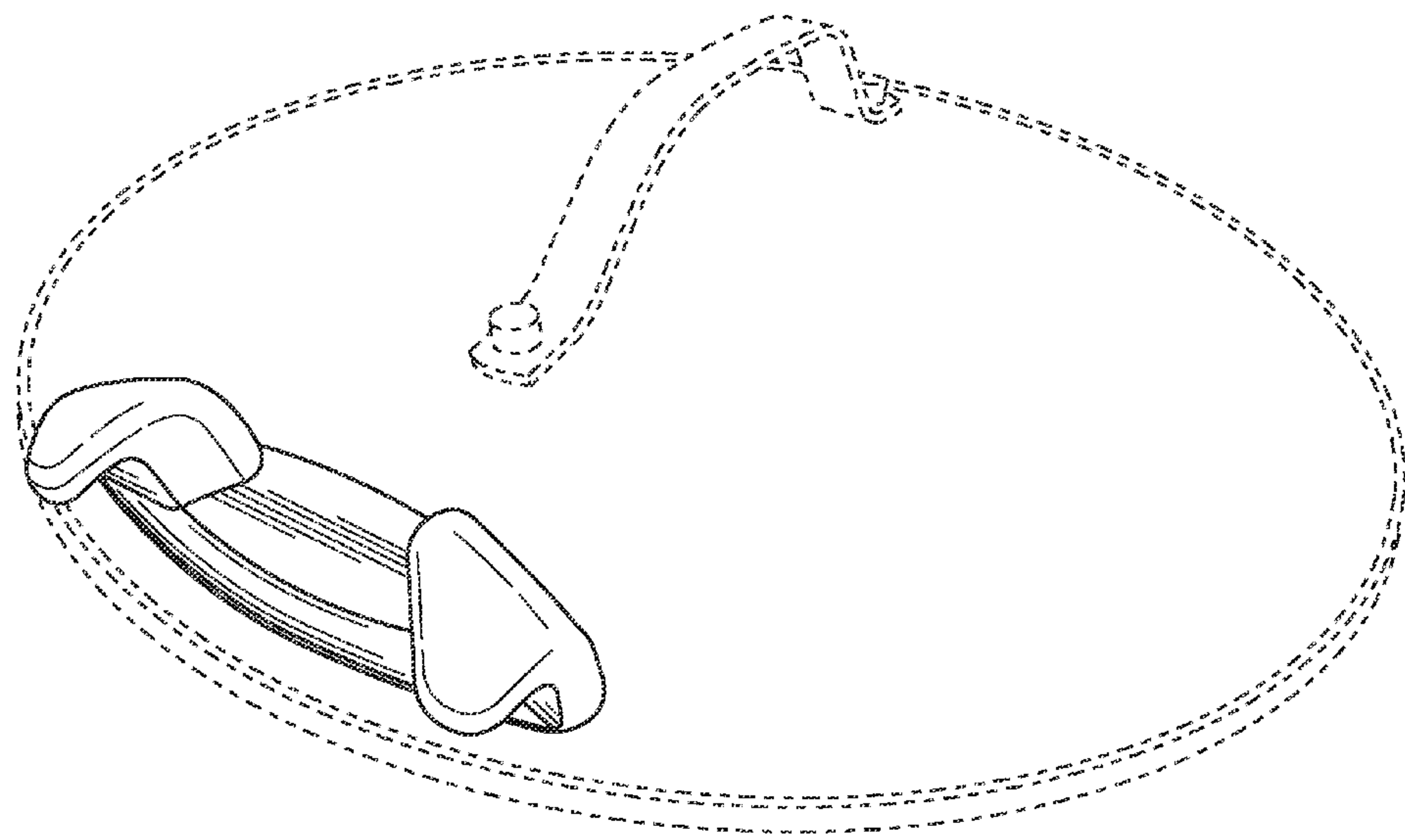
FOREIGN PATENT DOCUMENTS  
KR 200350556 5/2004  
KR 20100111209 10/2010  
*Primary Examiner* — Cynthia M. Chin  
(74) *Attorney, Agent, or Firm* — Notaro, Michalos & Zaccaria P.C.

(56) **References Cited**  
U.S. PATENT DOCUMENTS  
314,244 A 3/1885 Henkel  
498,020 A 3/1893 Murray  
D50,885 S 7/1917 Freid  
1,745,548 A 2/1930 Lerner  
1,928,995 A 8/1933 Di Biase  
2,259,770 A 10/1941 Nove  
2,705,657 A \* 4/1955 Di Giorgio ..... A47J 45/10  
294/27.1  
2,808,175 A 10/1957 Aiken  
3,081,394 A 3/1963 Arel  
4,005,798 A 2/1977 Minsky  
4,592,483 A 6/1986 Scouten  
4,911,310 A \* 3/1990 Raishe ..... A47J 47/16  
211/41.11  
5,127,616 A \* 7/1992 Carney ..... A47J 47/16  
211/41.11

(57) **CLAIM**  
The ornamental design for a lid support, as shown and described.

**DESCRIPTION**  
FIG. 1 is a top, front perspective view thereof, the broken lines showing environment which forms no part of the design;  
FIG. 2 is a front elevational view of a lid support showing my design therefor;  
FIG. 3 is a rear elevational view thereof;  
FIG. 4 is a right side elevational view thereof;  
FIG. 5 is a left side elevational view thereof;  
FIG. 6 is a top plan view thereof; and,  
FIG. 7 is a bottom plan view thereof.  
Throughout the drawings, broken lines show environment and form no part of the design.

**1 Claim, 5 Drawing Sheets**



(56)

**References Cited**

U.S. PATENT DOCUMENTS

8,381,942 B2 \* 2/2013 Romandy ..... A47J 36/12  
220/744  
9,125,514 B1 9/2015 Rohrer  
D744,278 S \* 12/2015 Wiggins ..... D7/402  
D749,896 S 2/2016 Pallotto  
D809,336 S 2/2018 Truong  
10,413,118 B2 9/2019 Camden  
2004/0200851 A1 \* 10/2004 Wooderson ..... A47J 45/062  
220/759  
2004/0262459 A1 \* 12/2004 Qualiano ..... A47J 47/16  
248/37.6  
2006/0174776 A1 8/2006 Fissler  
2010/0237208 A1 \* 9/2010 Di Lollo ..... A47J 47/16  
248/213.2  
2011/0095031 A1 4/2011 Welk  
2011/0260023 A1 \* 10/2011 Braun ..... A47J 43/287  
248/220.21  
2012/0235003 A1 \* 9/2012 Turbes ..... A47J 36/12  
248/309.1  
2015/0164268 A1 \* 6/2015 Hurley ..... A47J 36/12  
220/573.1  
2016/0015208 A1 1/2016 Pallotto

\* cited by examiner

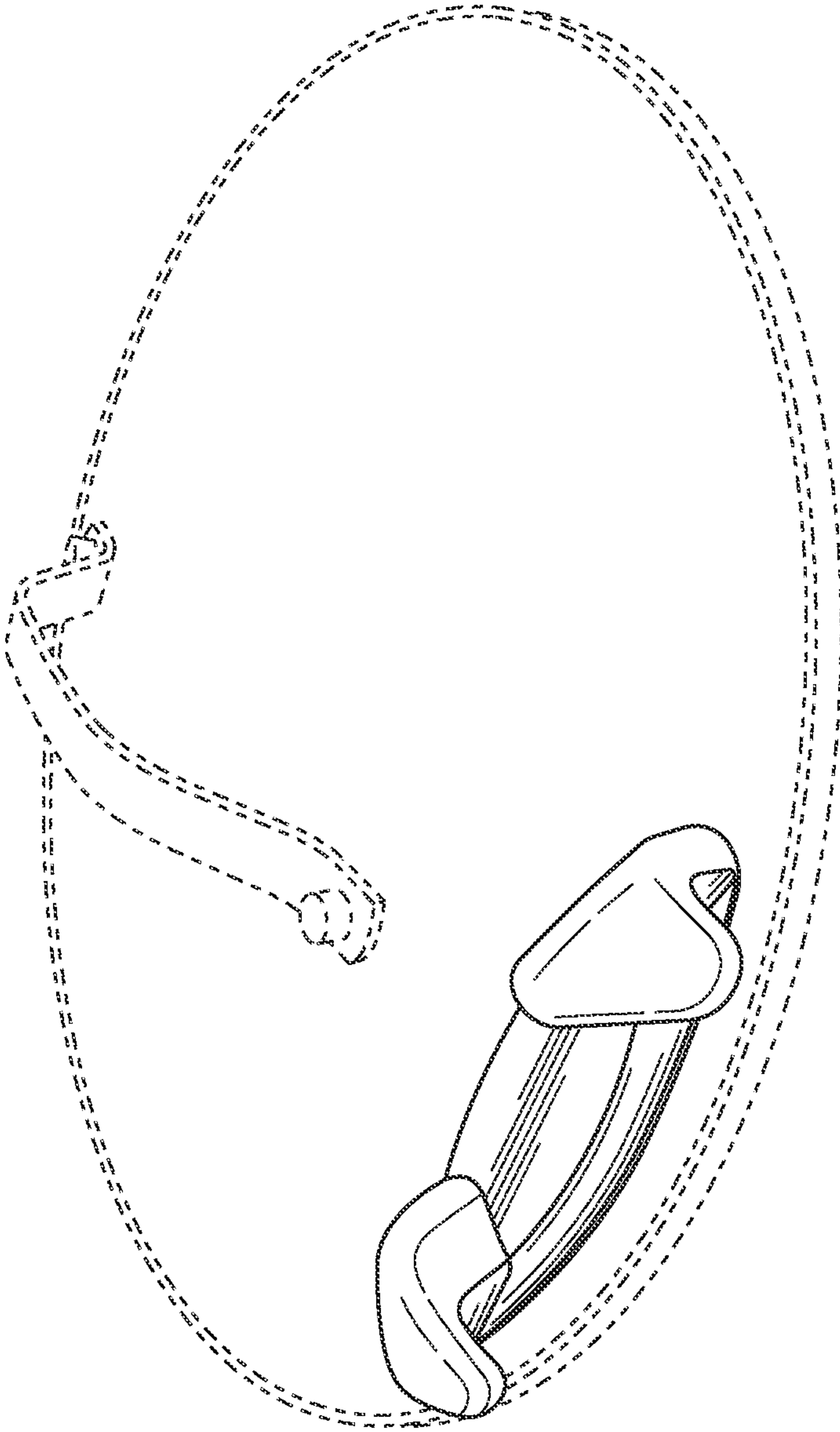


FIG. 1

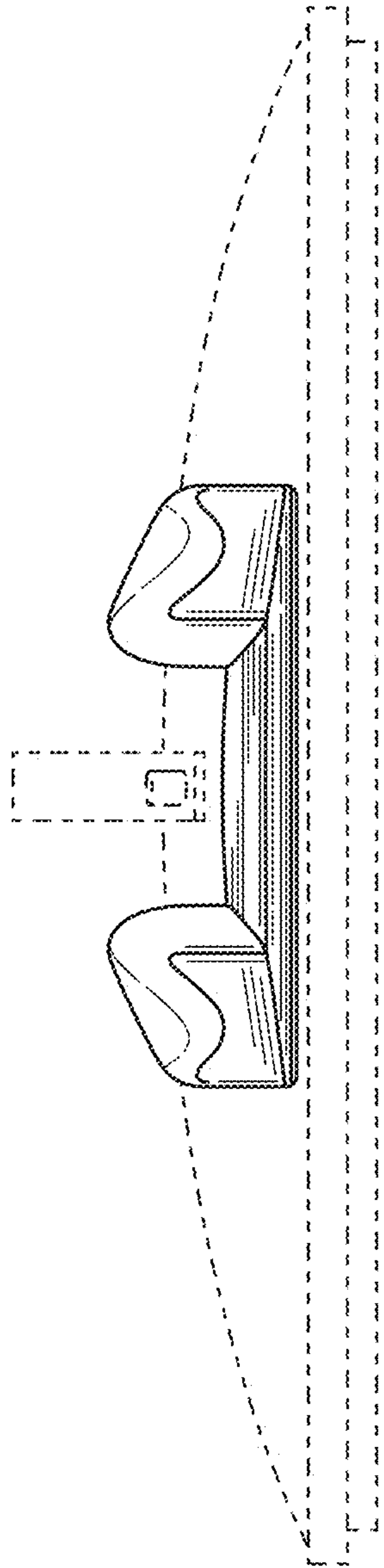


FIG. 2

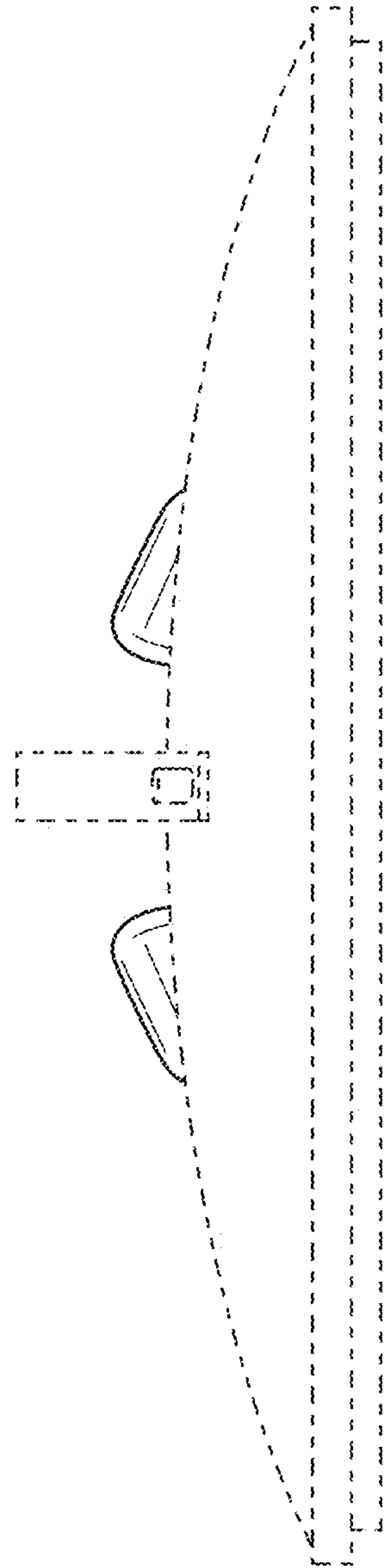


FIG. 3

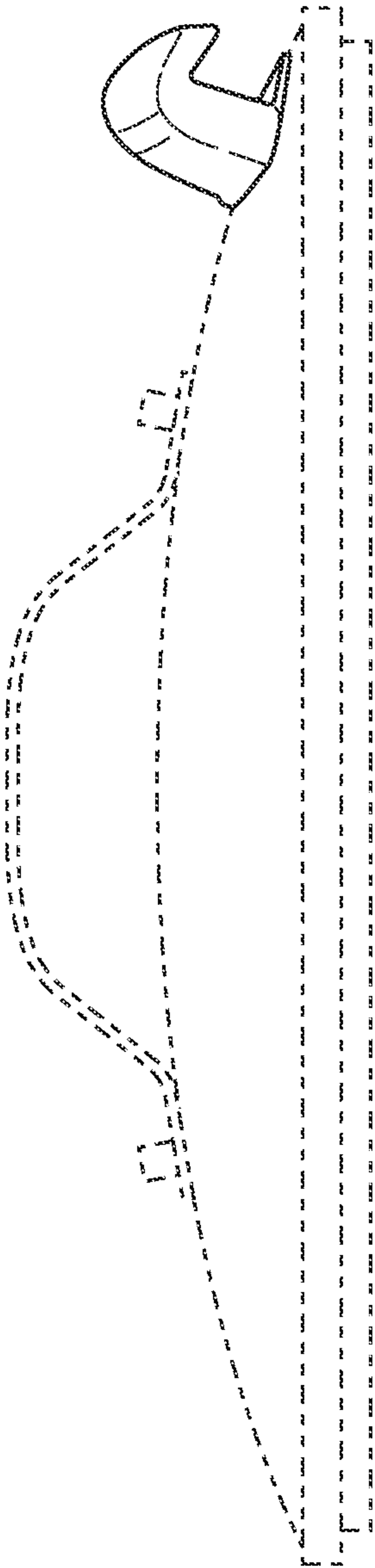


FIG. 4

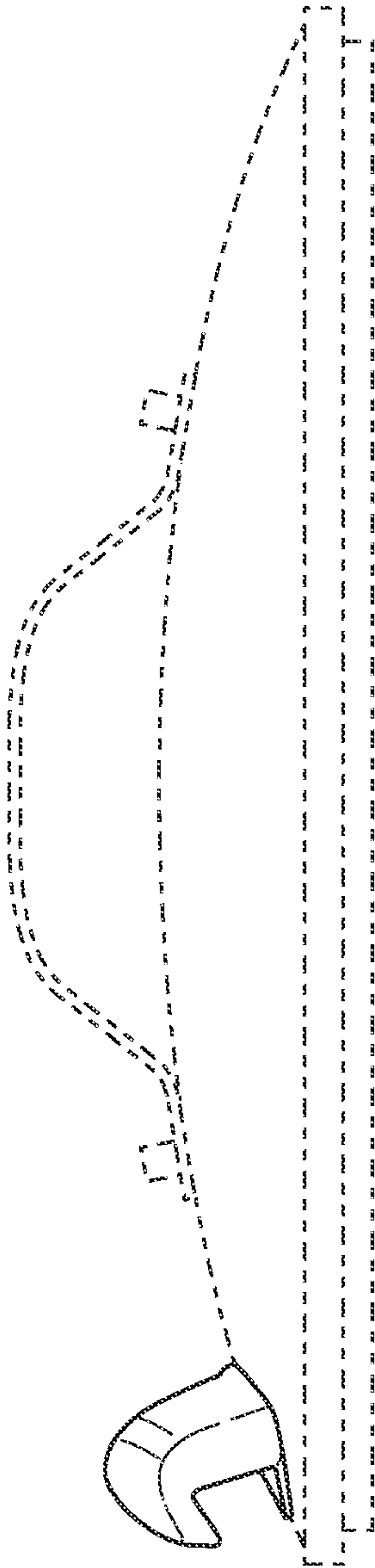


FIG. 5



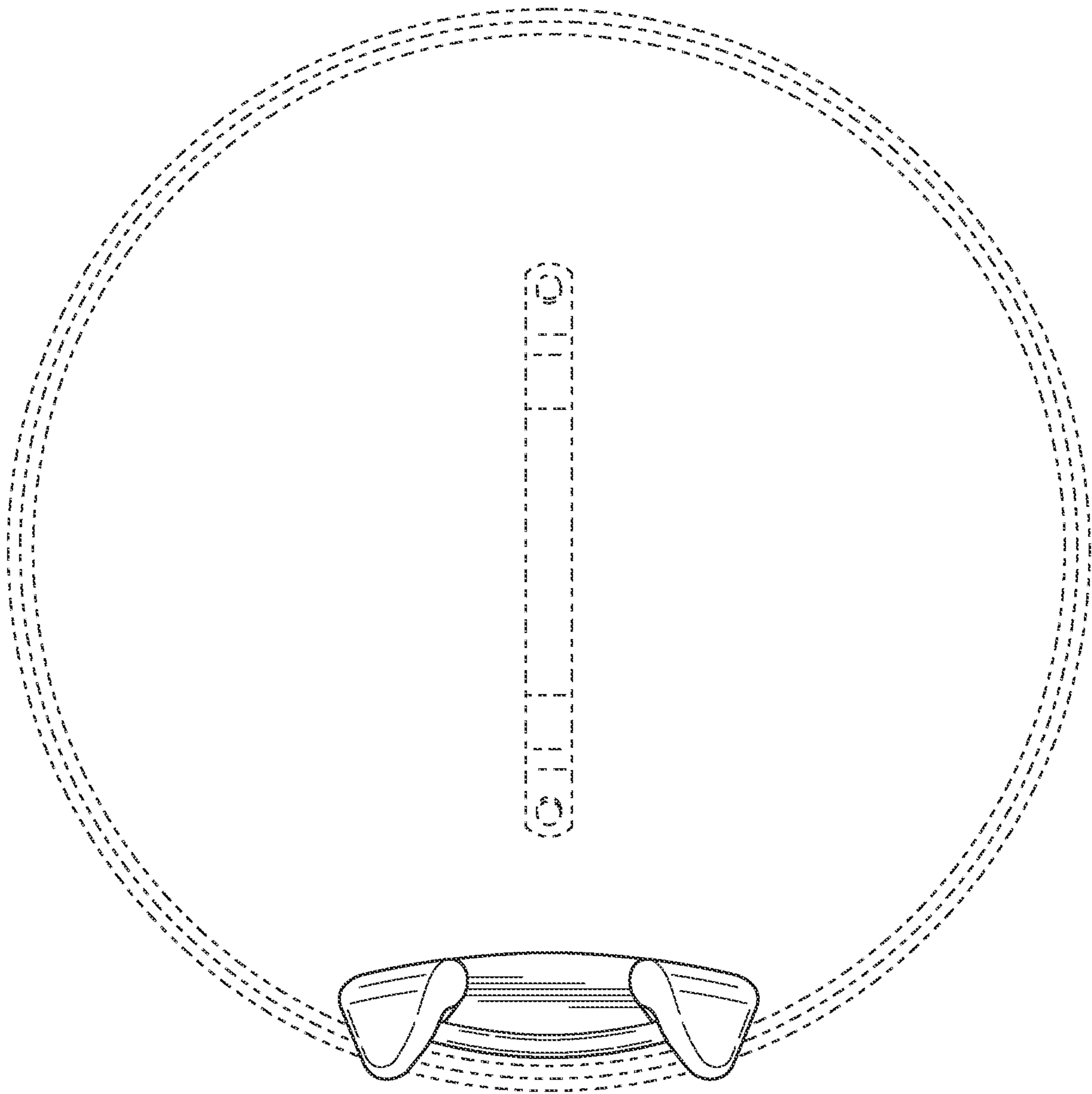


FIG. 6

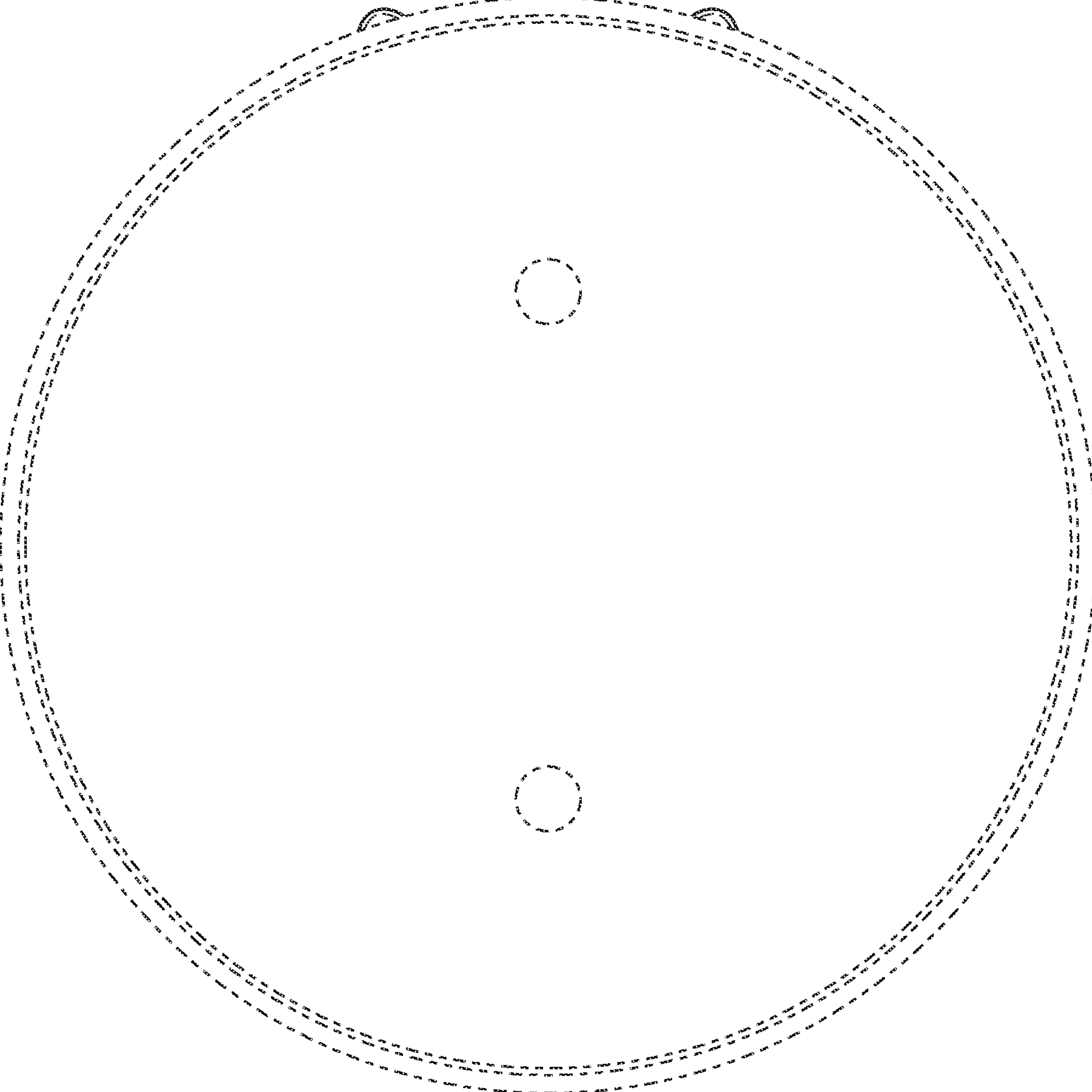


FIG. 7