



US00D908437S

(12) **United States Design Patent** (10) **Patent No.:** **US D908,437 S**
Alanis et al. (45) **Date of Patent:** **** Jan. 26, 2021**

- (54) **BURRITO HOLDER**
- (71) Applicant: **Pilot Inc.**, City of Industry, CA (US)
- (72) Inventors: **Adrian Alanis**, City of Industry, CA (US); **Dina Provatas**, City of Industry, CA (US)
- (73) Assignee: **Pilot Inc.**, City of Industry, CA (US)
- (**) Term: **15 Years**
- (21) Appl. No.: **29/665,570**
- (22) Filed: **Oct. 4, 2018**
- (51) **LOC (13) Cl.** **07-01**
- (52) **U.S. Cl.**
USPC **D7/587**; D7/504; D7/602
- (58) **Field of Classification Search**
USPC D7/504, 500, 501, 503, 541-542, D7/600.1-600.4, 601, 602, 586, 587, 509, D7/624.2, 608; D9/456, 433, 431; D12/419; D34/1; D11/152
CPC A47G 2019/306; A47G 19/30; A47G 21/001; A47G 23/06; A47J 37/01; B65D 1/36
See application file for complete search history.

D515,868 S *	2/2006	McRoberts	D7/504
D538,644 S *	3/2007	DeVine	D9/431
D540,125 S *	4/2007	Hicks	D7/624.2
D541,596 S *	5/2007	Hicks	D7/624.2
D745,331 S *	12/2015	Magri	D7/587
D780,528 S *	3/2017	Salama	D7/608
D878,875 S *	3/2020	Nagao	D7/608
2012/0085769 A1 *	4/2012	Millet	A47G 21/001 220/574

FOREIGN PATENT DOCUMENTS

EM 002393249-0001 * 3/2016

OTHER PUBLICATIONS

Gadjit, Gadjit Cup Keeper Adapter, May 6, 2011, Amazon, https://www.amazon.com/Gadjit-Adapter-Expands-Convenience-diameter/dp/B004ZL9CFO/ref=sr_1_10?keywords=cup+holder+insert&qid=1585169272&sr=8-10&swrs=24246A691FEF8F9E8EE55218FB4F269C (Year: 2011).*

* cited by examiner

Primary Examiner — Brett Miller
(74) *Attorney, Agent, or Firm* — Sheridan Ross P.C.

(57) **CLAIM**

The ornamental design for a burrito holder, as shown and described.

DESCRIPTION

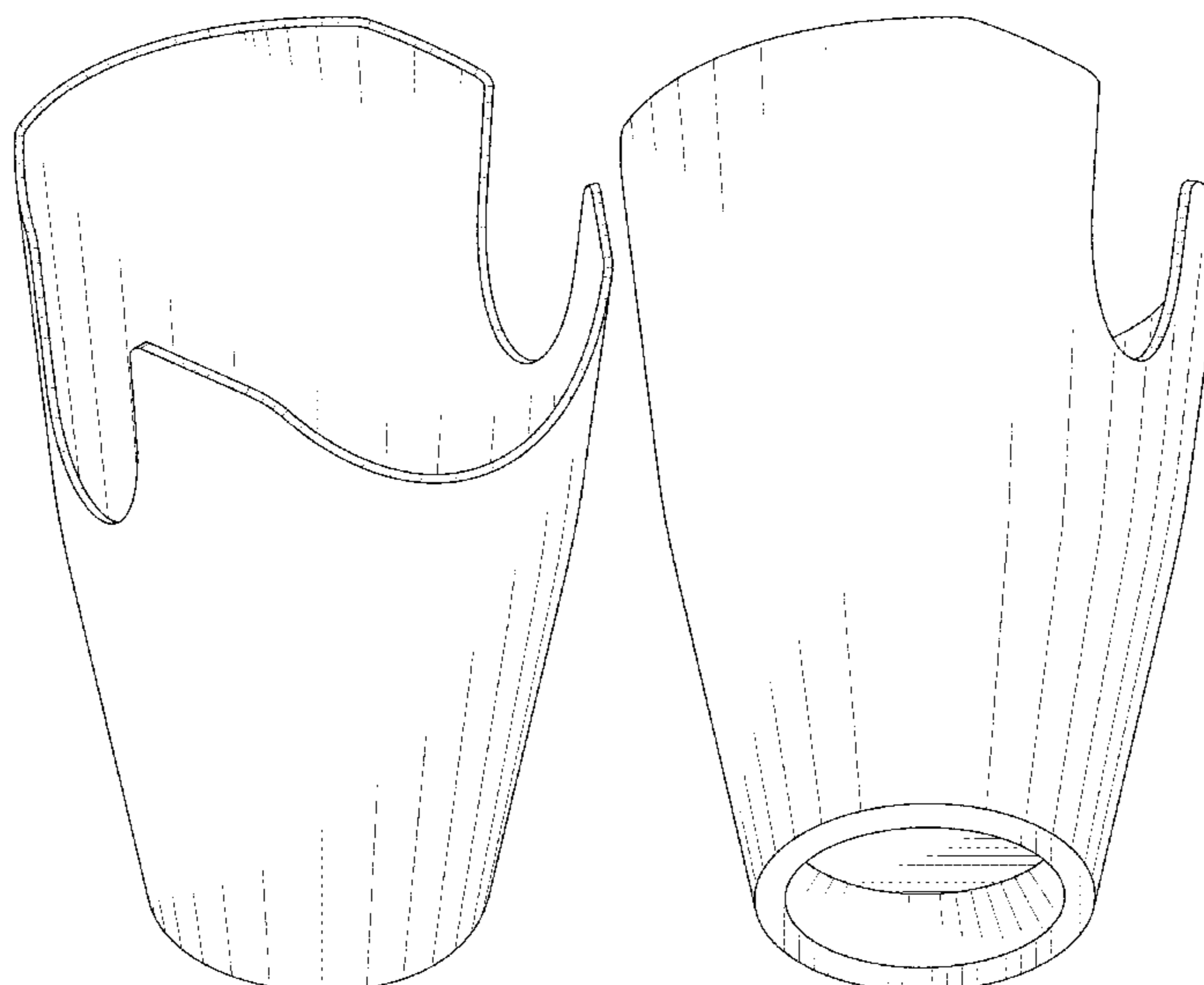
FIG. 1 is a top perspective view of a burrito holder showing my new design;
FIG. 2 is a front elevational view thereof;
FIG. 3 is a rear elevational view thereof;
FIG. 4 is a left side elevational view thereof;
FIG. 5 is a right side elevational view thereof;
FIG. 6 is a top plan view thereof;
FIG. 7 is a bottom plan view thereof; and,
FIG. 8 is a bottom perspective view thereof.

1 Claim, 7 Drawing Sheets

(56) **References Cited**

U.S. PATENT DOCUMENTS

D57,156 S *	2/1921	Schaffer	D34/1
2,145,481 A *	1/1939	Harvey	A47G 21/001 229/400
D132,178 S *	4/1942	Holslag	D34/1
D211,043 S *	5/1968	Kay	D7/586
D257,526 S *	11/1980	Herbst	D7/509
D304,988 S *	12/1989	Omlie	D7/503
D395,503 S *	6/1998	Kushnir	D7/509
D405,689 S *	2/1999	Moon	D9/433
6,273,278 B1 *	8/2001	Enyedy	A47F 7/0028 D7/504
D495,209 S *	8/2004	Tranfaglia	D7/509



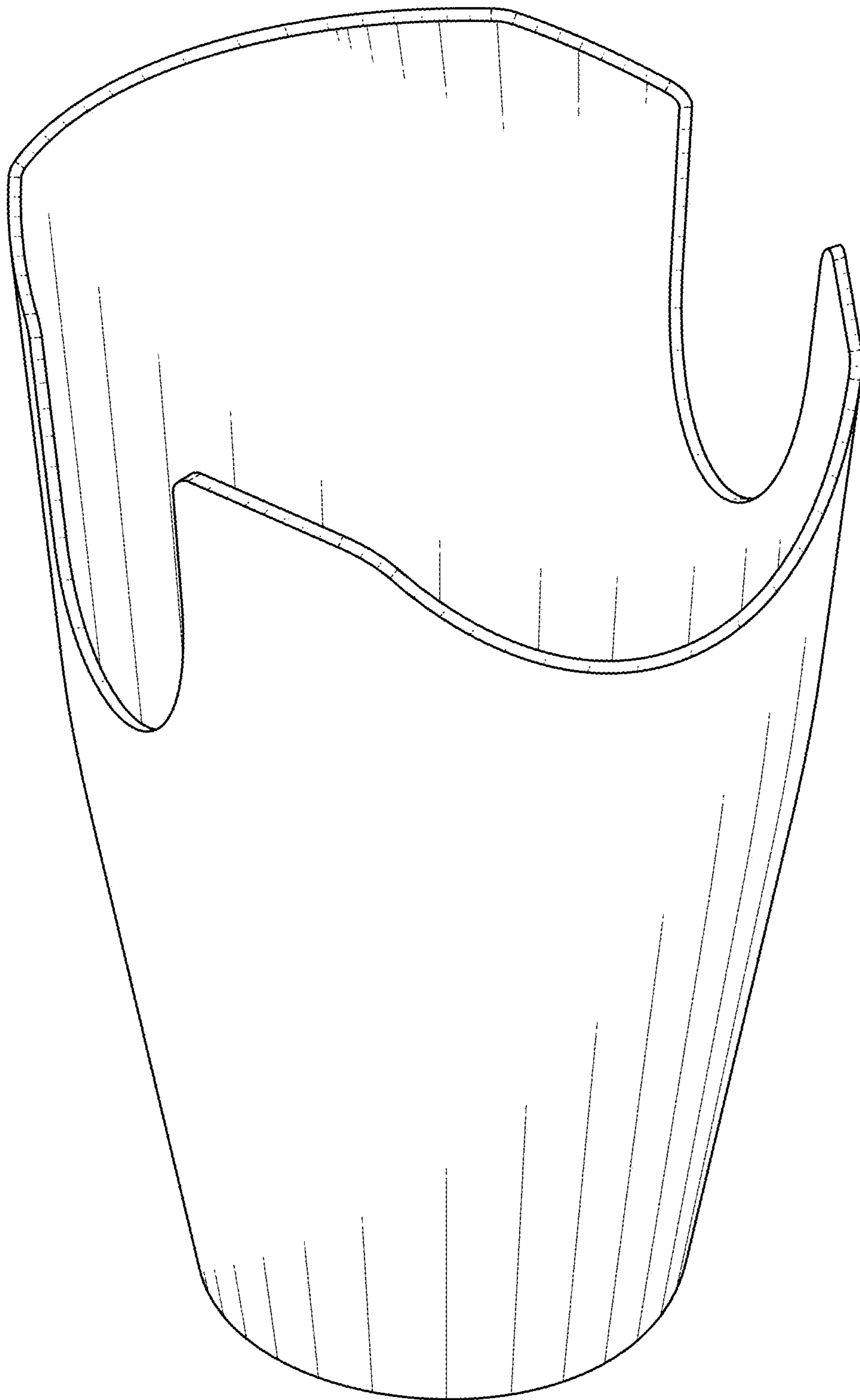


FIG. 1

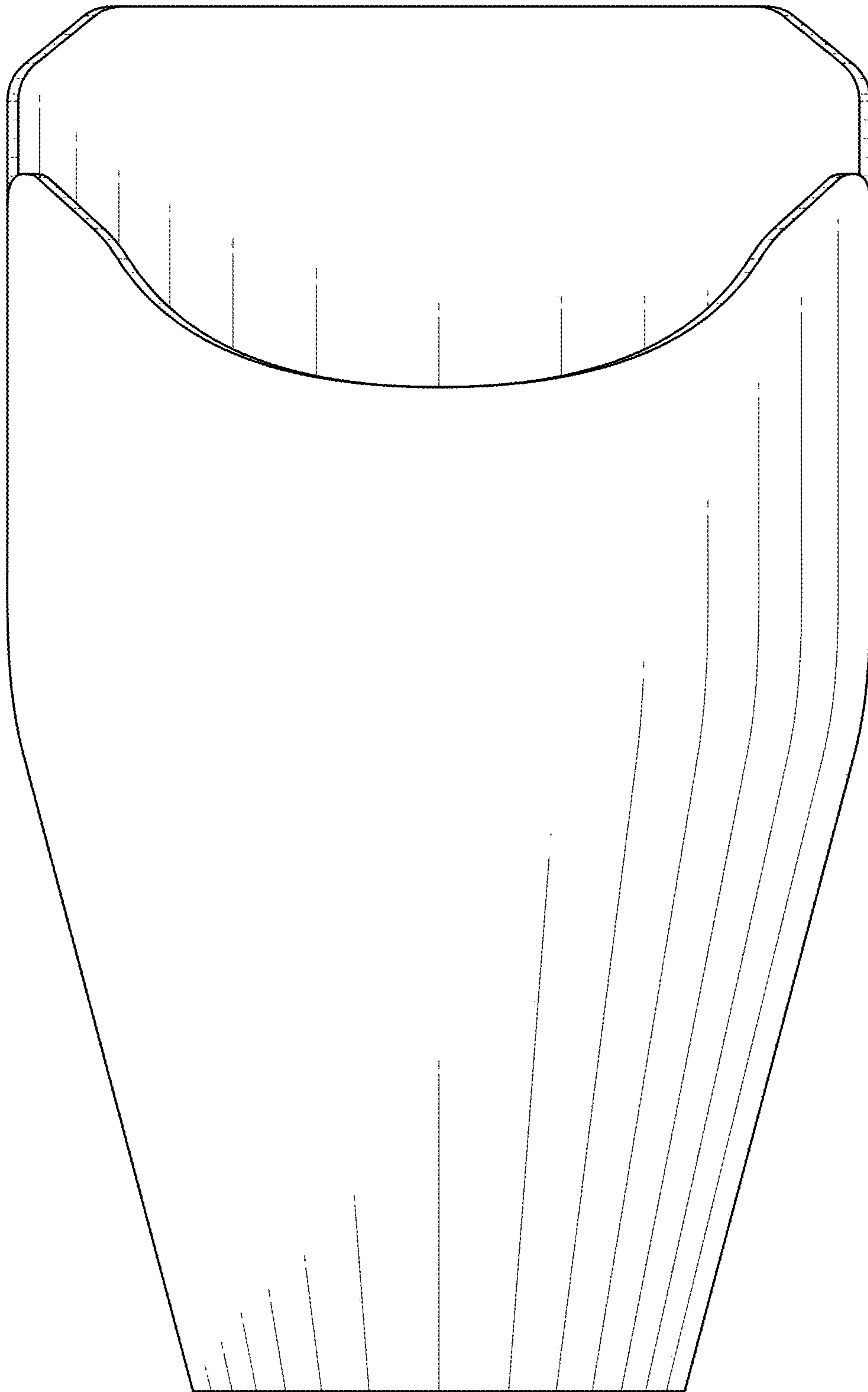


FIG. 2

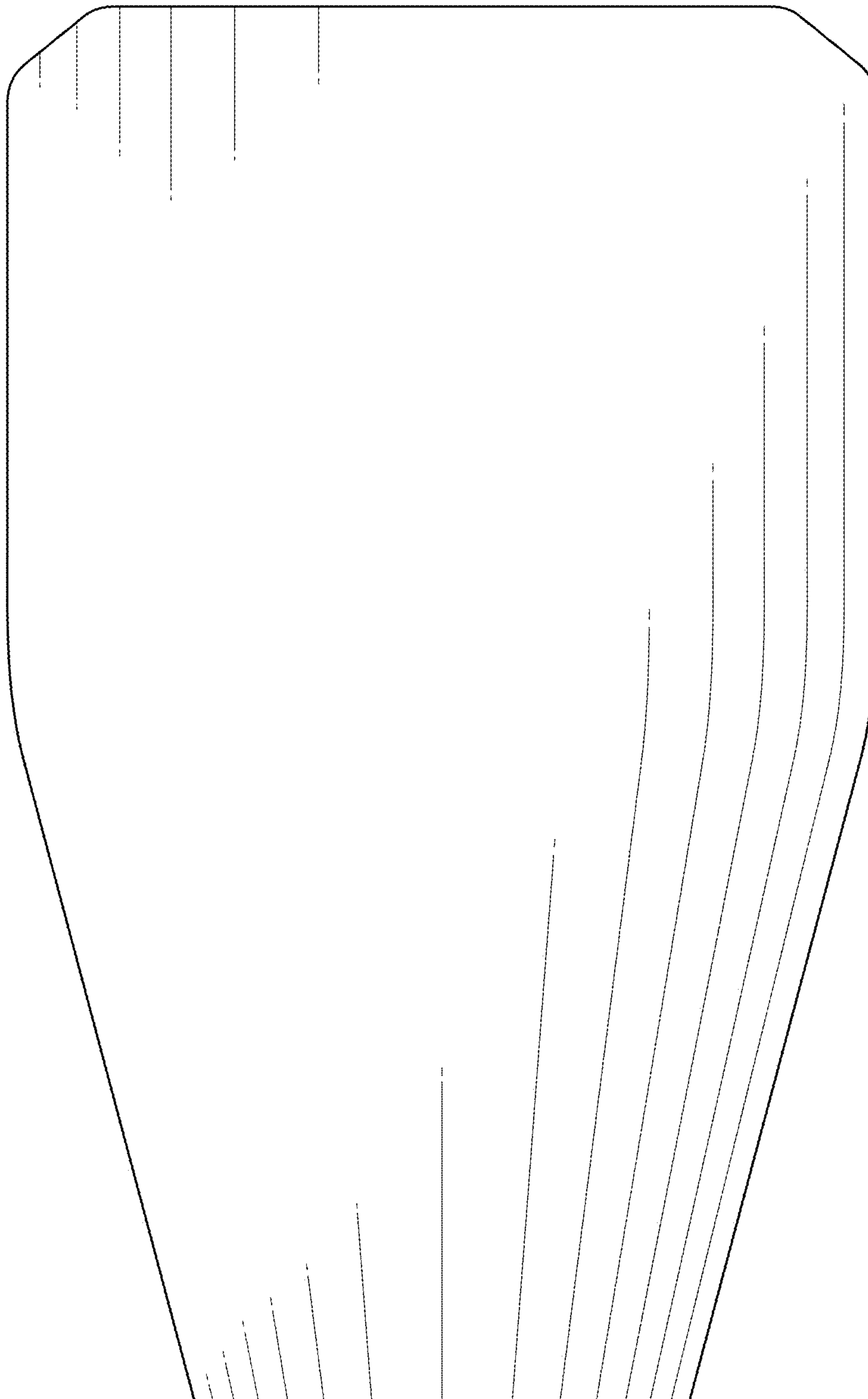


FIG. 3

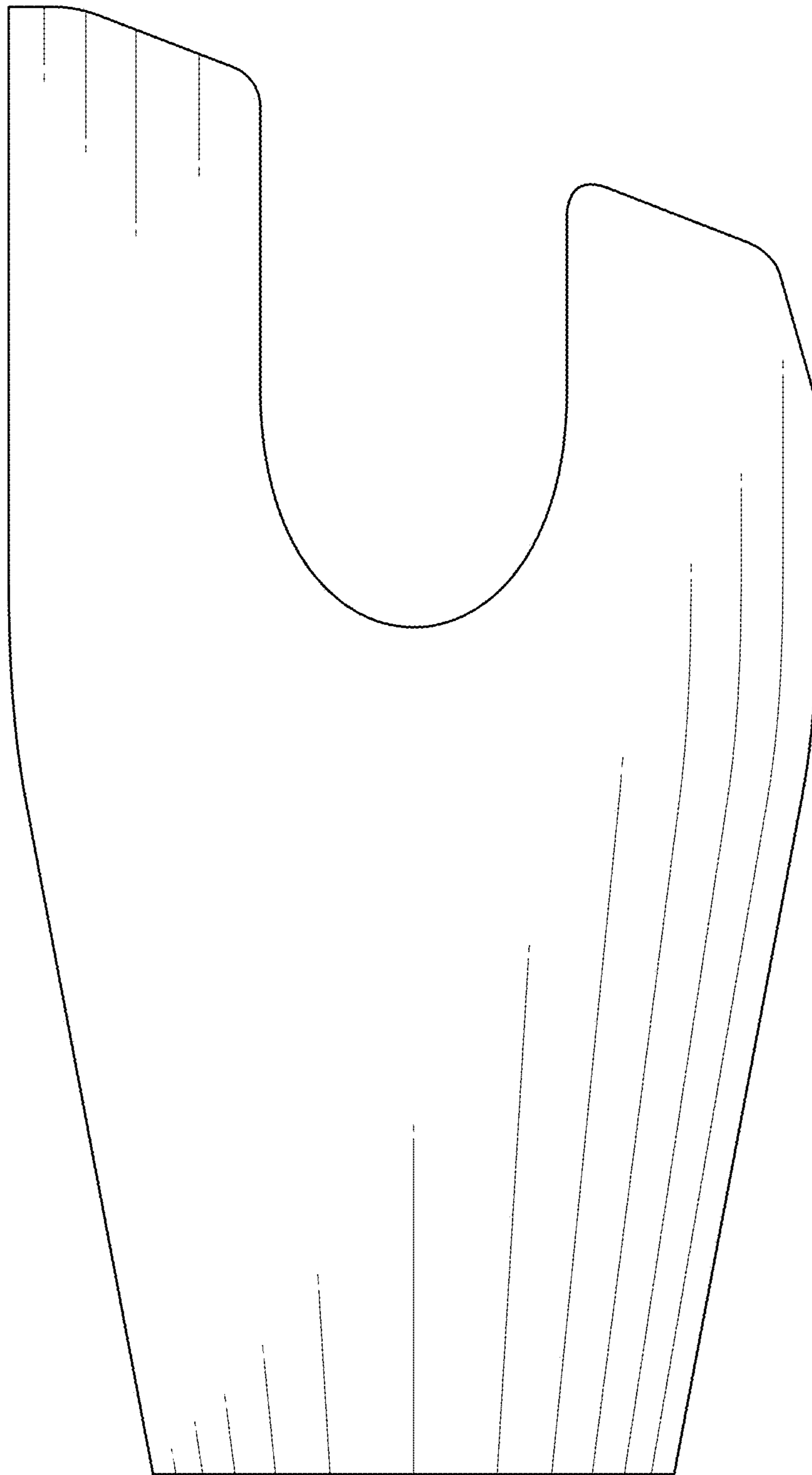


FIG. 4

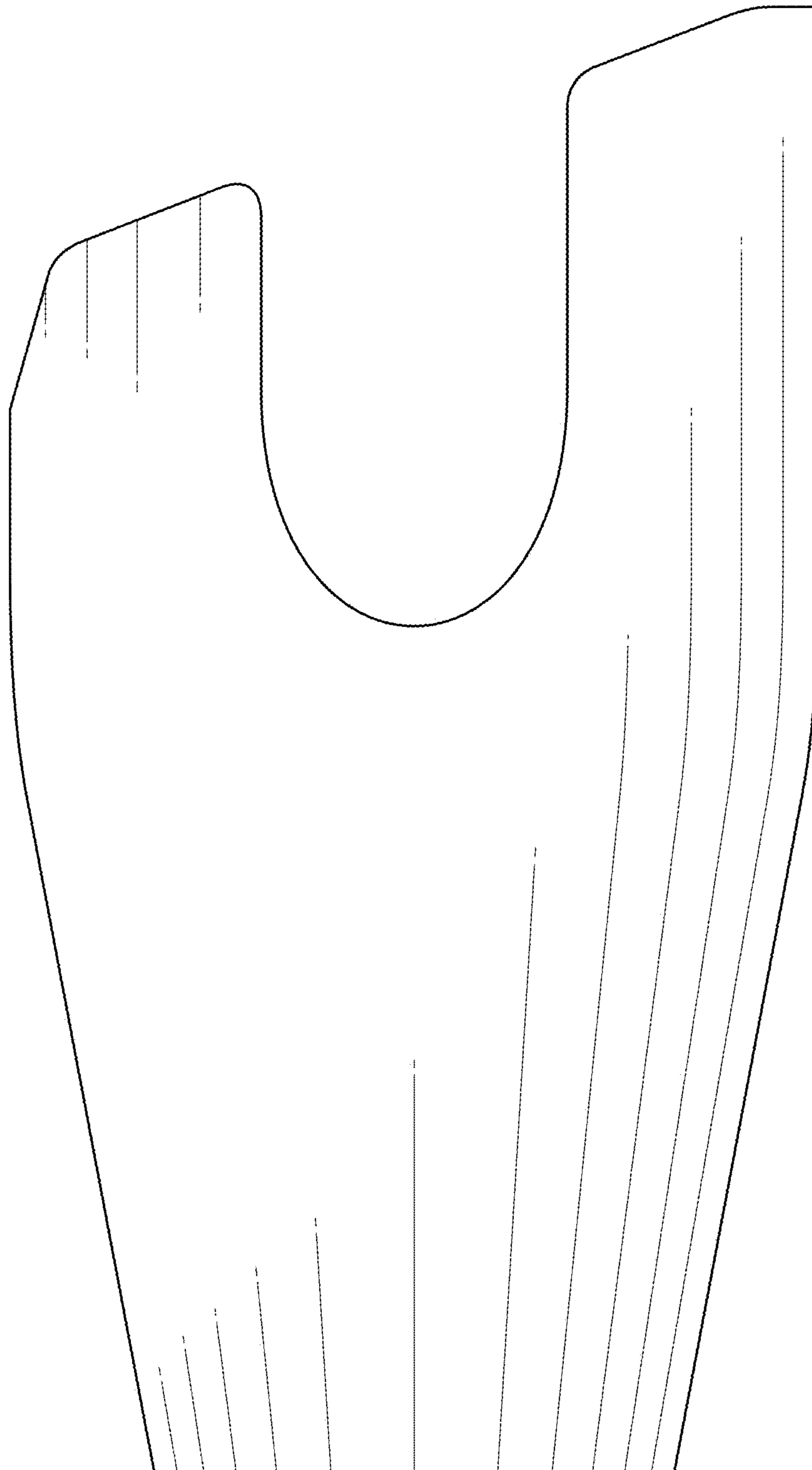


FIG. 5

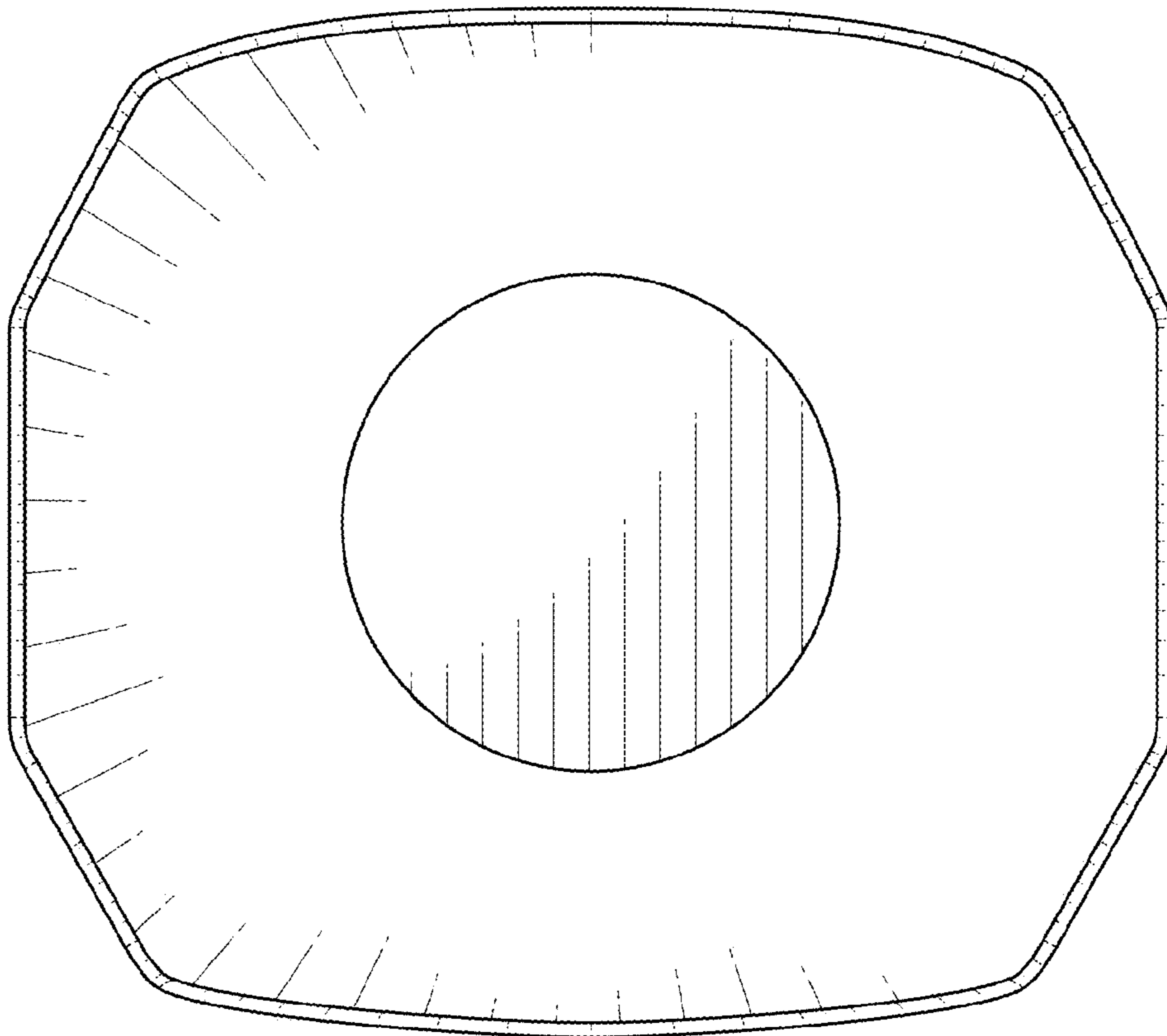


FIG. 6

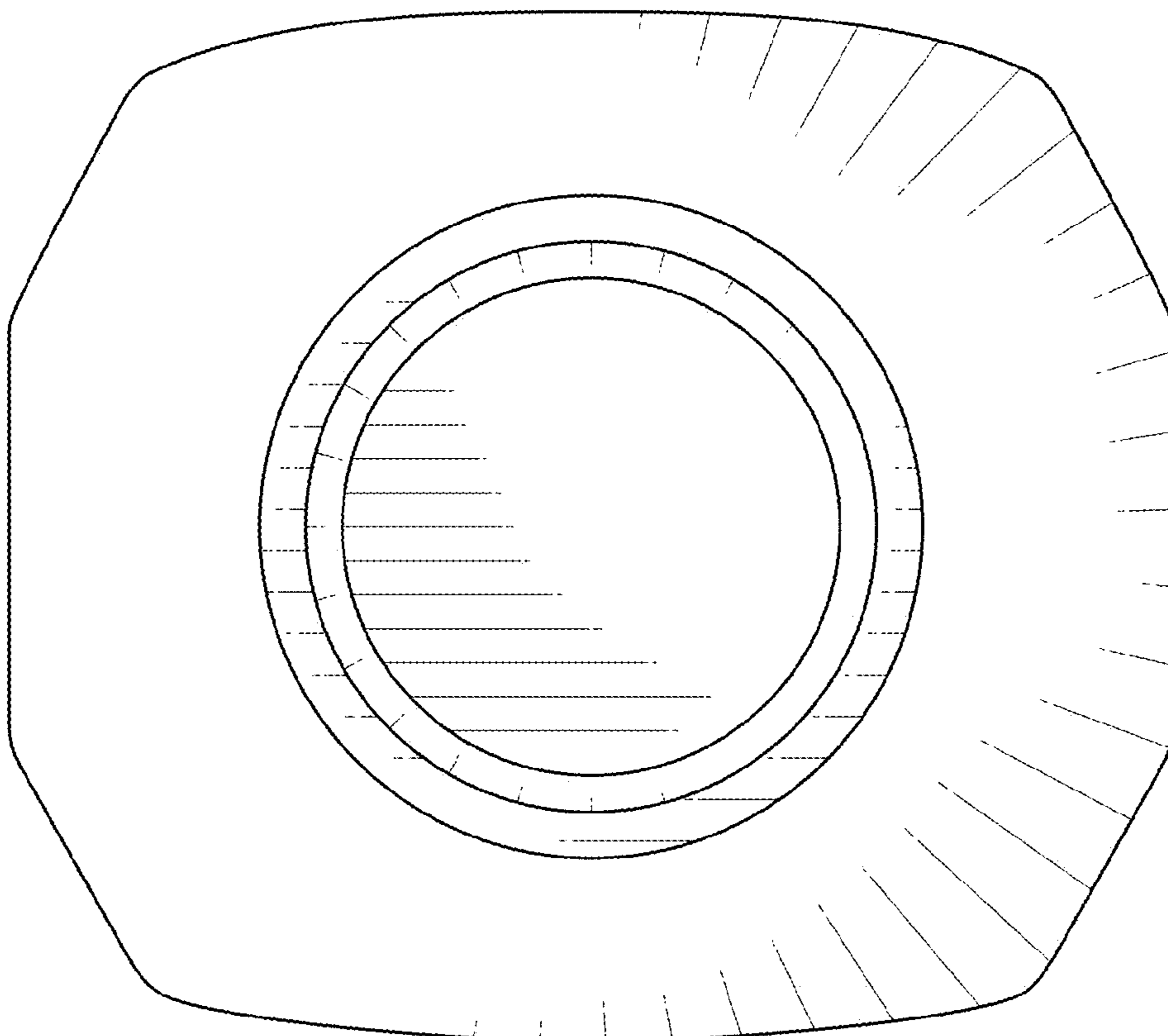


FIG. 7

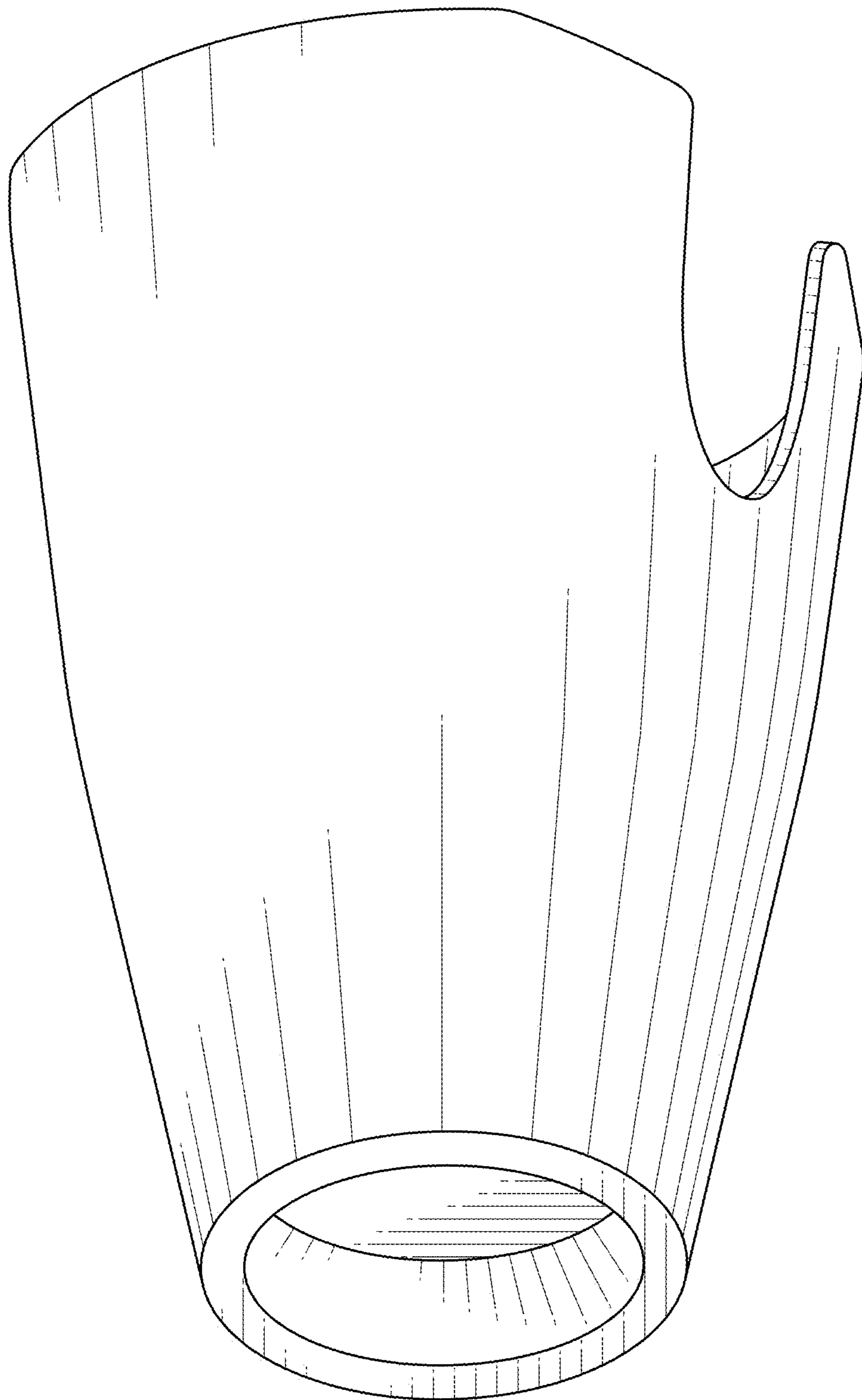


FIG. 8